



## Data Sheet

---

Customer: \_\_\_\_\_

Part No: \_\_\_\_\_

CL-SP150UYG-R-02

Sample No: \_\_\_\_\_

Description: \_\_\_\_\_

3216 Reverse SMD YellowGreen Color

Item No: \_\_\_\_\_

Customer			
Check	Inspection	Approval	Date

**Features**

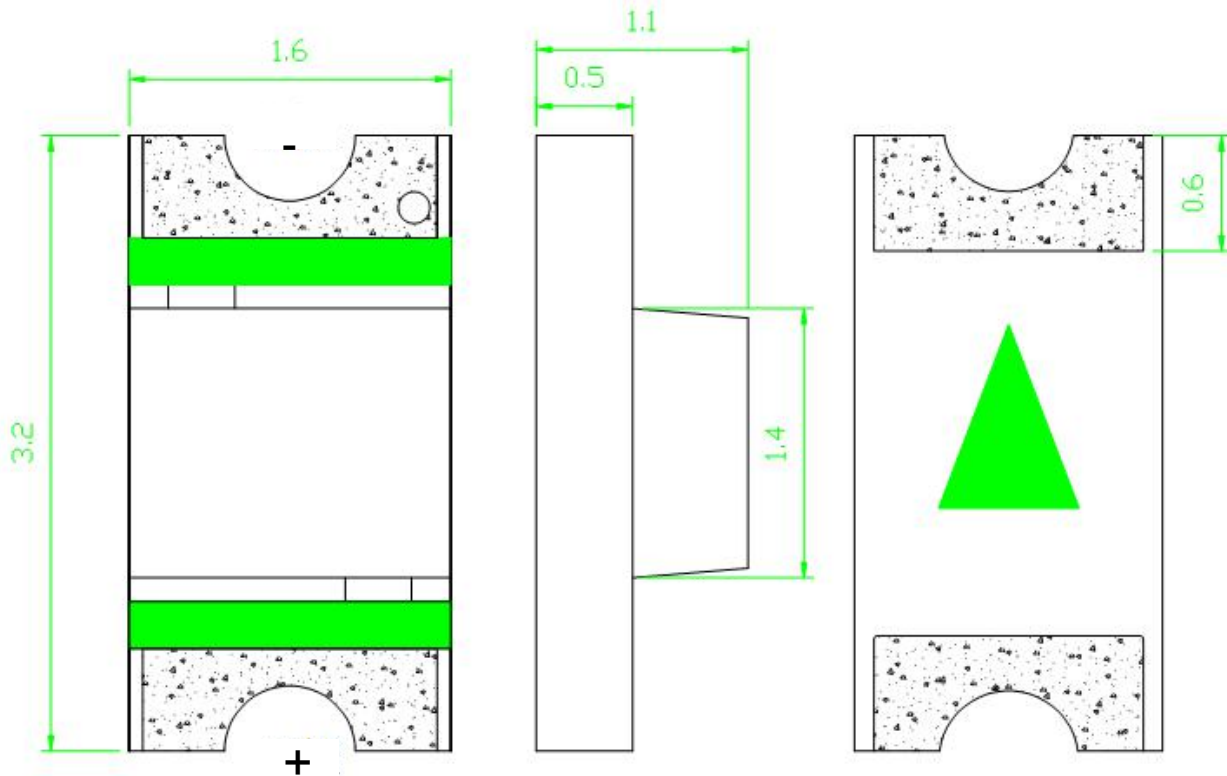
- \_3.2mmX1.6mm SMT LED, 1.10mm THICKNESS.
- \_LOW POWER CONSUMPTION.
- \_WIDE VIEWING ANGLE.
- \_IDEAL FOR BACKLIGHT AND INDICATOR.
- \_VARIOUS COLORS AND LENS TYPES AVAILABLE.
- \_PACKAGE: 3000PCS / REEL.
- \_RoHS COMPLIANT.

11" 11"
**Description**

The Green source color devices are made with AlGaInP on GaAs substrate Light Emitting Diode.

**Applications**

- 1.Mobile phone Keypad indicator and backlight.
- 2.Flat backlight for LCD, switch and symbol.
- 3.Toys.

**Package Dimensions**

**Notes:**

1. All dimensions are in millimeters (inches).
2. Tolerance is  $\pm 0.1$  (0.004") unless otherwise noted.
3. Specifications are subject to change without notice.

**Selection Guide**

Part No.	Dice	Lens Type	Iv (mcd) @ 20mA		Viewing Angle
			Min.	Typ.	2 θ 1/2
<b>CL-SP150UYG-R-02</b>	<b>Yellow green</b>	<b>WATER CLEAR</b>	<b>20</b>	<b>50</b>	<b>120</b>

Note:

1. θ1/2 is the angle from optical centerline where the luminous intensity is 1/2 the optical centerline value.

**Electrical / Optical Characteristics at TA=25°C**

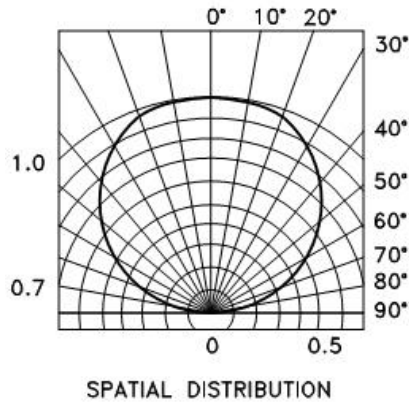
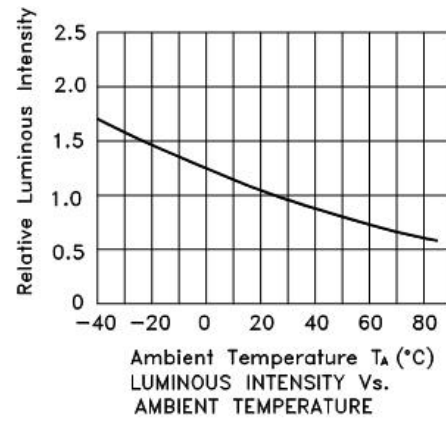
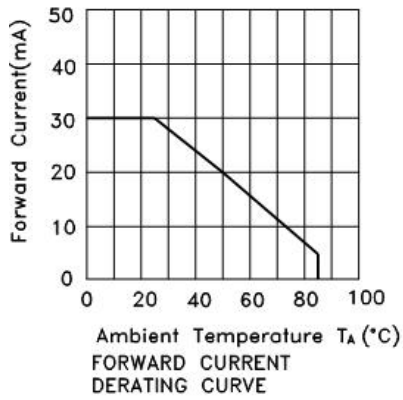
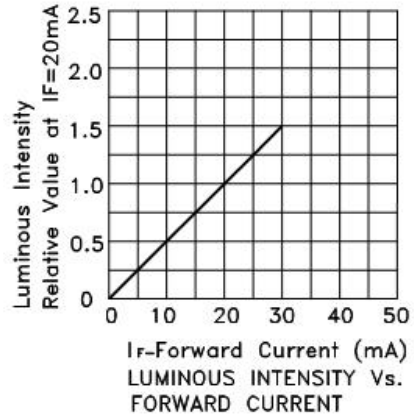
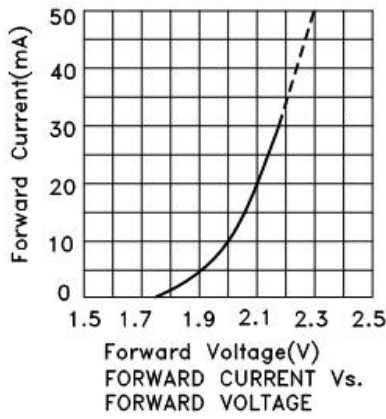
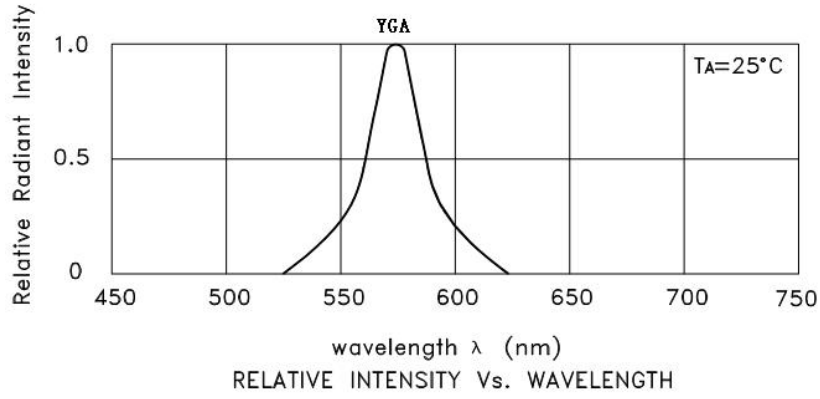
Symbol	Parameter	Device	Mix	Max.	Units	Test Conditions
λD	Dominant Wavelength	<b>Yellow green</b>	<b>566</b>	<b>574</b>	nm	IF=20mA
Δλ1/2	Spectral Line Half-width	<b>Yellow green</b>	<b>30</b>		nm	IF=20mA
C	Capacitance	<b>Yellow green</b>	<b>15</b>		pF	VF=0V;f=1MHz
VF	Forward Voltage	<b>Yellow green</b>	<b>1.8</b>	<b>2.3</b>	V	IF=20mA
IR	Reverse Current	<b>Yellow green</b>		<b>10</b>	uA	VR = 5V

**Absolute Maximum Ratings at TA=25°C**

Parameter	Yellow green	Units
<b>Power dissipation</b>	<b>75</b>	<b>mW</b>
<b>DC Forward Current</b>	<b>25</b>	<b>mA</b>
<b>Peak Forward Current [1]</b>	<b>80</b>	<b>mA</b>
<b>Reverse Voltage</b>	<b>5</b>	<b>V</b>
<b>Operating/Storage Temperature</b>	<b>40°C To +85°C</b>	

Note:

1. 1/10 Duty Cycle, 0.1ms Pulse Width.



## RELIABILITY

### (1) Test Items and Results

NO.	Test Item	Reference Standard	Test Conditions	(Hours/Cycles)	Sample	Number of Damaged
1	Temperature Cycle	JEITA ED-4701	-40 °C - 25 °C - 100 °C - 25 °C 30min 5min 30min 5min	100 Cycles	50	0/50
2	Thermal shock	MIL-STD-202G	-40°C ~ 100°C 15min 15min	500 Cycles	50	0/50
3	High Temperature Storage	JEITA ED-4701 200 201	Ta=100°C	1000 Hours	50	0/50
4	Low Temperature Storage	JEITA ED-4701 200 201	Ta=-40°C	1000 Hours	50	0/50
5	Room Temperature Life Test		Ta=25±5°C IF=20mA	1000 Hours	50	0/50
6	High Temperature High Humidity Life Test		Ta=60°C RH=85% IF=20mA	1000 Hours	50	0/50
7	Solderability (Reflow Soldering)	JEITA ED-4701 300 303	Tsol=235°C ± 5°C, 5sec (Using Flux, Lead Solder)	1 time, 5sec	10	0/10
8	Resistance to Soldering Heat (Reflow Soldering)	JEITA ED-4701 300 301	Tsol=260°C, 10 sec Pre Treatment: 35 °C 95% RH96 Hrs	2 time, 10sec	10	0/10

The above test items such as differences or special customer specific requirements according to the actual situation in accordance with the requirements of customers to try the requirements with the customer, the customer is not required by our test standard test. Different products using different current test

## 5. Cautions

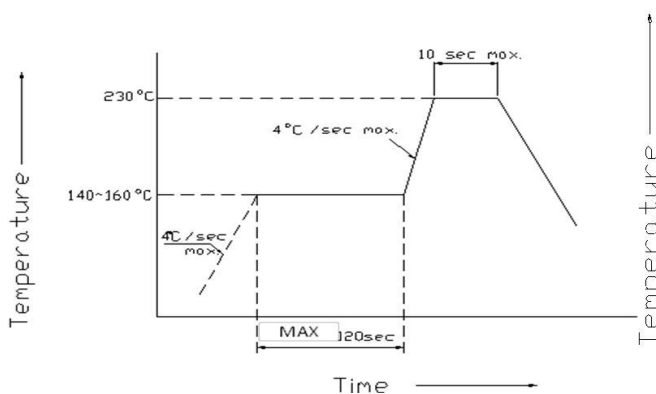
### (1) Soldering Conditions

Number of reflow process shall be less than 2 times and cooling process to normal temperature is required between first and Second soldering process.

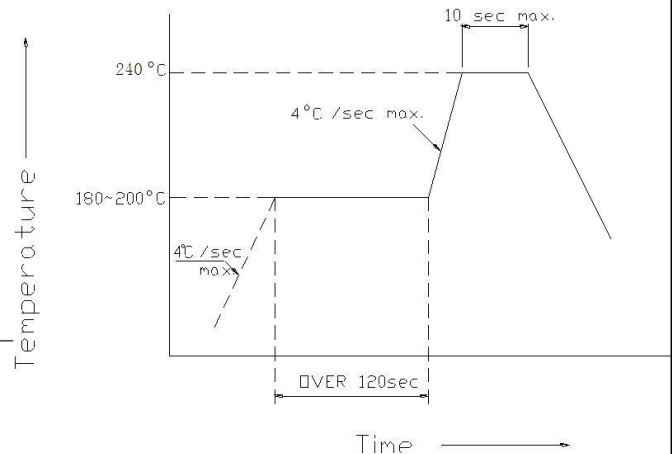
(Recommended soldering conditions)

	Reflow Soldering		Manual Welding	
	Lead Solder	Lead-free Solder	Temperature	350° C Max.
Pre-heat			Soldering	3 sec. Max.
Pre-heat	140 ~ 160° C	180 ~ 200° C	time	(one time only)
time	120 sec. Max.	120 sec. Max.		
Peak	230° C Max.	240° C Max.		
temperature	10 sec. Max.	10 sec. Max.		
Soldering				
time				
Condition				

(Lead Solder)

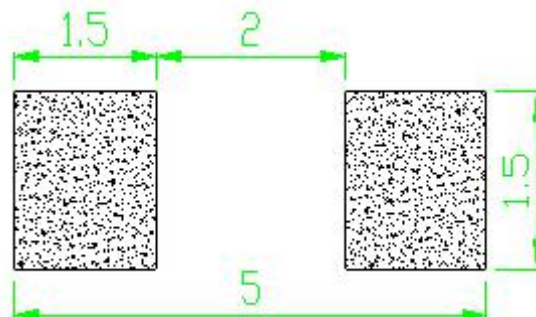


(Lead-Free Solder)



### Recommended Solder

(Units : mm)



## (2) Static Electricity

It is recommended that a wrist band or an anti-electrostatic glove be used when handling the LEDs.

All devices, equipment and machinery must be properly grounded.

Damaged LEDs will show some unusual characteristics such as the forward voltage becomes lower, or the LEDs do not light at the low current. Criteria : ( $V_F > 2.0V$  at  $I_F=0.5mA$ )

## (3) Moisture Proof Package

It is recommended that moisture proof package be used .

## (4) Cautions:

4.1. Please check if there is air leak before opening the package, if so, please return the goods back to take drying process for later using.

4.2 Products can be used within 15days after packaging, after that, they must be:

4.2.1 Soldered within 24 hrs

4.2.2 Used in the condition:  $30^{\circ}C$  within and 60%RH below

4.2.3 Stored in 30%RH for moisture below.

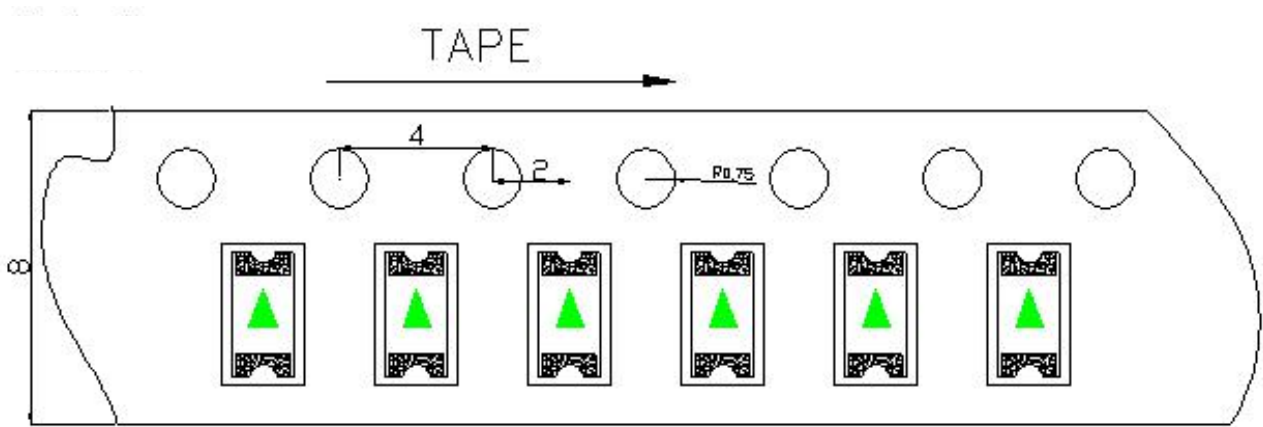
4.3. Products cannot be used for and over 15days after being packaged unless opening the package and take drying our process in  $85^{\circ}C/6H$ .

4.4. Products not be used for or over 60days after being packaged please return back to take drying out and packaging process for forward using.

4.5. Products not be used after opening the package need to be dried out for  $85^{\circ}C/6H$

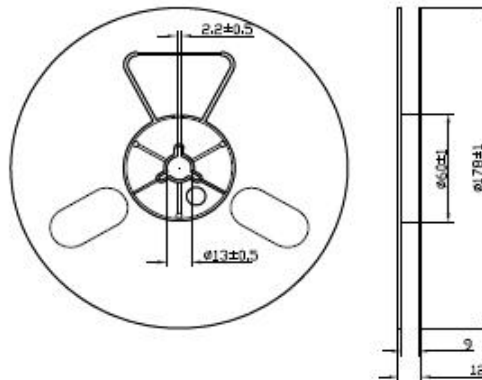
**PACKAGING**

The LEDs are packed in cardboard boxes after taping.

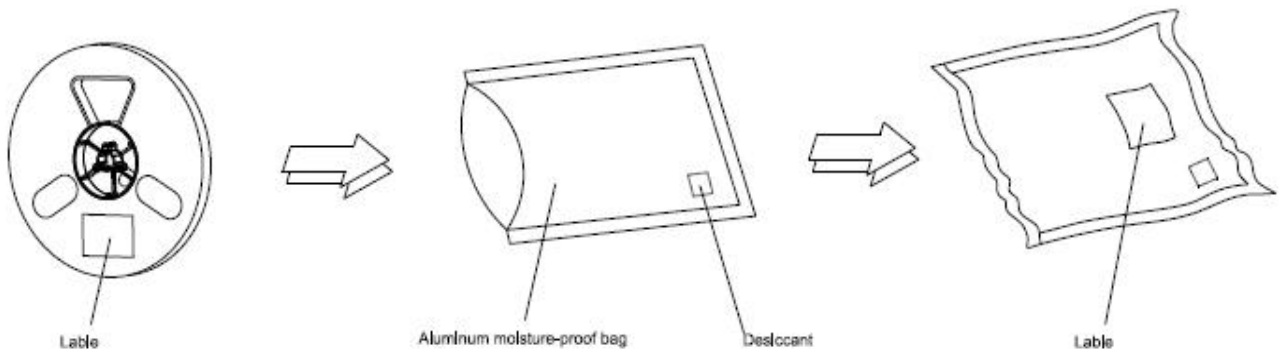


**Package: 3000PCS/reel**

**Reel Dimensions**



**Moisture Resistant Packaging**



Note: The tolerances unless mentioned is  $\pm 0.1\text{mm}$ , Unit: mm