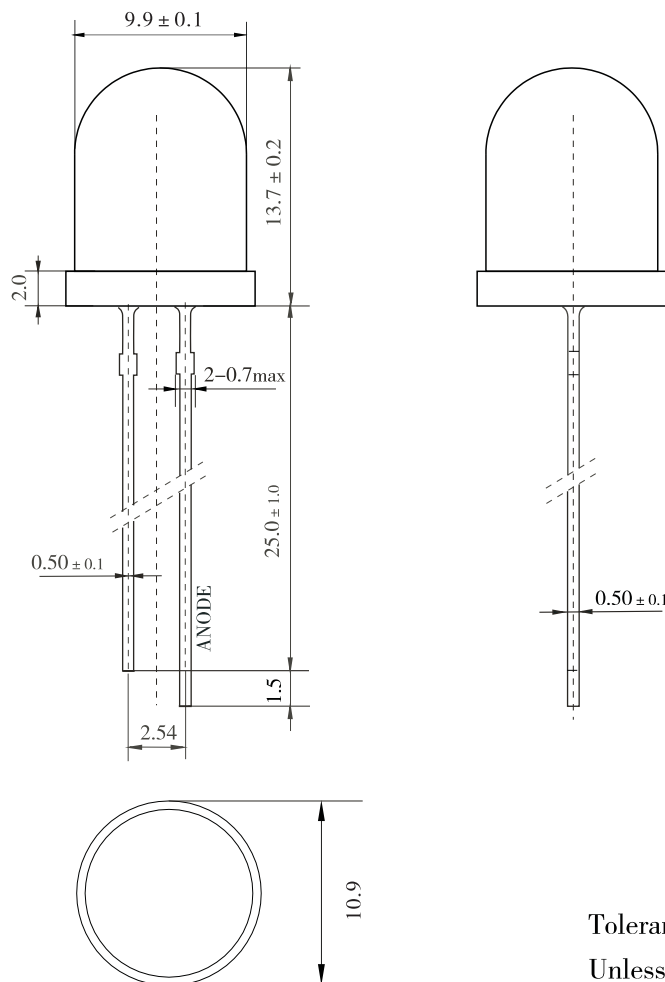


**FEATURES**

- Low power consumption.
- High Efficiency
- Round type
- T1 (3mm) diameter
- With Flange
- Solder leads without stand-off
- Compliant with RoHS

**DESCRIPTIONS**

- Chip Material: AlGaInP/GaAs
- Emitting Color: Yellow
- Lens Color: Yellow Diffused

**OUTLINE DRAWING**

**ATTENTION**


OBSERVE PRECAUTIONS  
FOR HANDLING  
ELECTROSTATIC  
SENSITIVE DEVICES

Tolerance is  $\pm 0.25$ mm  
Unless Otherwise Specified.

**ELECTRICAL OPTICAL CHARACTERISTICS ( Ta=25°C )**

Parameter	Symbol	Min	Typ	Max	Unit	Test Condition
Forward Voltage	$V_F$	-	2.0	2.3	V	IF=20mA
Luminous Intensity	$I_v$	102	150	-	mcd	IF=20mA
Peak Wavelength	$\lambda_p$		590		nm	IF=20mA
Spectral Line half-width	$\Delta\lambda$		15		nm	IF=20mA
Reverse Leakage Current	$I_R$			50	$\mu A$	VR=5V
Viewing Angle	$2\theta_{1/2}$		30		Deg	IF=20mA

**ABSOLUTE MAXIMUM PARAMETERS ( Ta=25°C )**

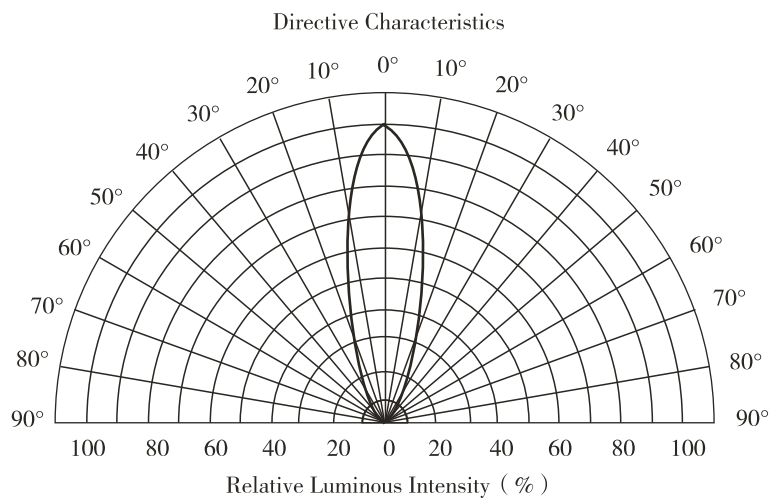
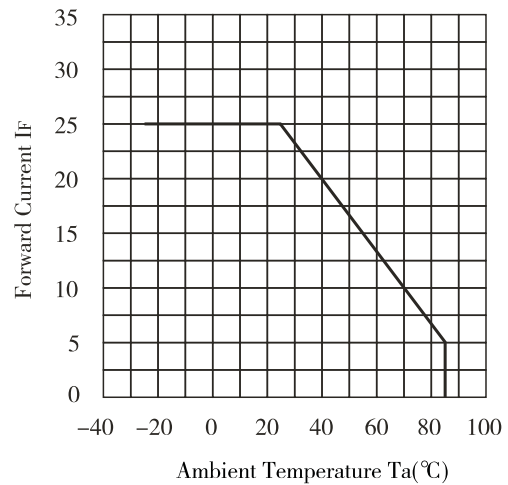
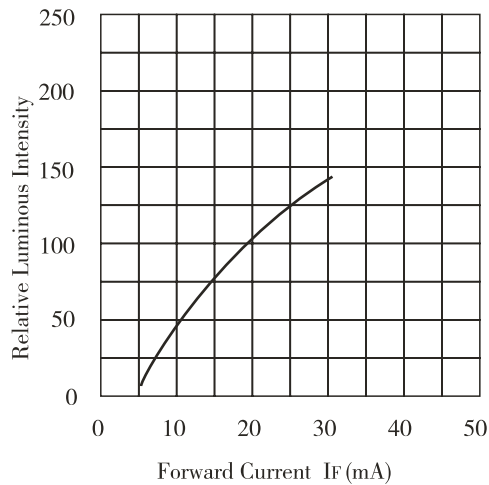
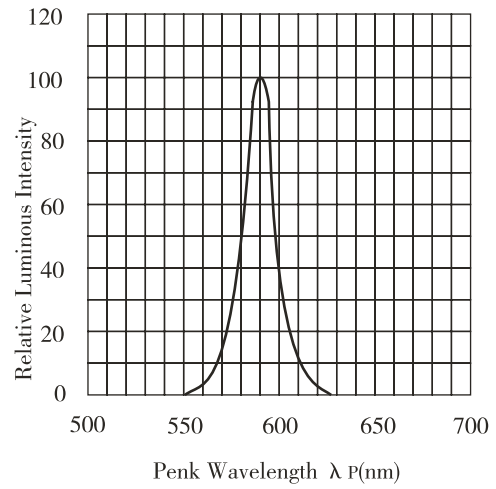
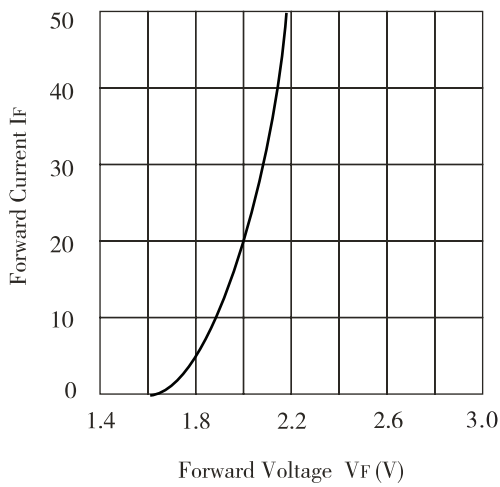
Parameter	Symbol	Condition	Rating	Unit
Power Dissipation	$P_D$	---	80	mW
Reverse Voltage	$V_R$	IR=50 $\mu A$	5	V
Forward Average Current	$I_F$	---	30	mA
Temperature coefficient	I/C	---	0.4	mA/ °C
Pulse Current	IFP	Duty=1/10,1kHz	100	mA
Operating Temperature Range	Topr	---	-25 ~ +85	°C
Storage Temperature Range	Tstg	---	-40 ~ +100	°C
Soldering Condition	Tsd	---	265°C/5sec	°C

**NOTE:**

Luminous Intensity Measurement allowance is  $\pm 10\%$ .

$2\theta_{1/2}$  is the off-axis angle at which the luminous intensity is half the axial luminous intensity.

The dominant wavelength is derived from the CIE chromaticity diagram and represents the single wavelength which defines the color of the device.

**TYPICAL ELECTRO-OPTICAL CHARACTERISTIC CURVES ( Ta=25°C )**


**Luminous Intensity Ranks(IF=20mA Ta=25°C)**

Bin Code	Min(mcd)	Max(mcd)
K	72.8	102
L	102	145
M	145	200
N	200	280

**Package**

Item	Inner packaging bag	Inner packaging box	Outside packaging box
Material	Antistatic bag	Single corrugated box	Double corrugated box
Quantity	250 PCS	Single corrugated box × 8 =2000 PCS	Inner packaging box × 4 =8000PCS
Marking	Label Marking: Type、Quantity	Certificate of conformity Marking: Product name 、 Type、Quantitye、 Date of manufacture	Packing list Marking: Product name 、 Type、Quantitye、 Date of shipment
Size	16×23(cm)	28.7×18.2×14.4(cm)	38.5×30.5×31.5(cm)