



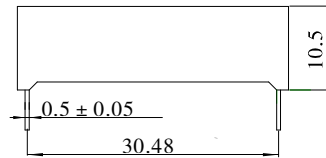
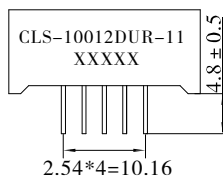
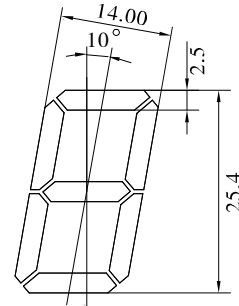
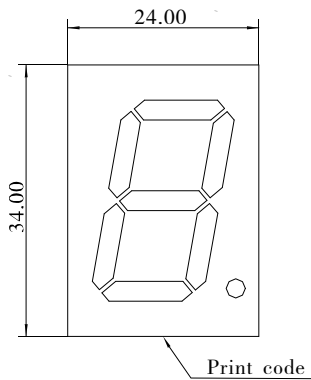
Data Sheet

Customer: _____
Part No: _____ CLS-10012DUR-11 _____
Sample No: _____
Description: _____ 1.0 inch 1 Digit Red Color _____
Item No: _____

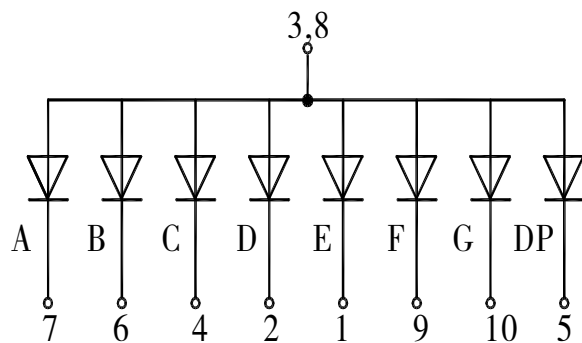
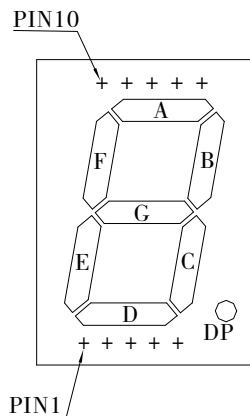
Customer			
Check	Inspection	Approval	Date

Descriptions

1. Emitting color: Red
2. Lens Color: White Diffused
3. Surface black color : Black
4. Dice material: AlGaInP/GaAs

Outline drawing


未注公差: $\pm 0.25\text{mm}$
 Tolerance is $\pm 0.25\text{mm}$ unless otherwise noted
 PIN弯曲 \leq 长度*1%
 PIN Bending \leq Length*1%

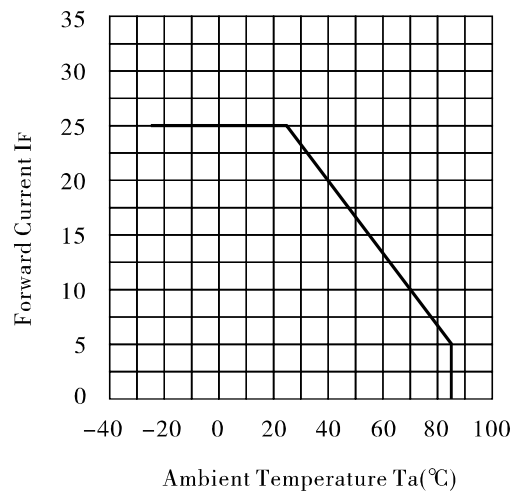
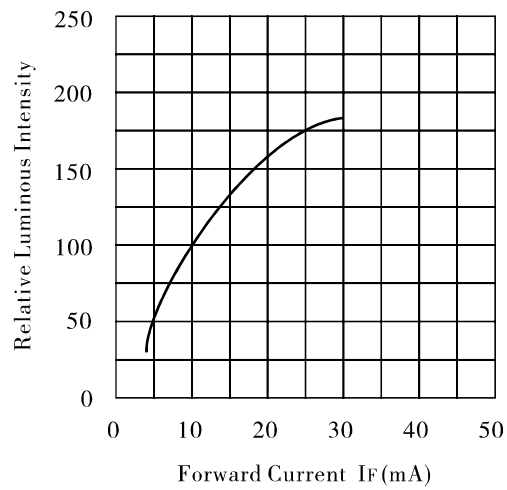
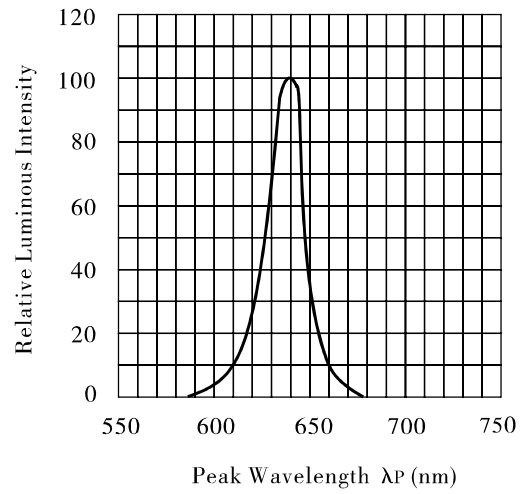
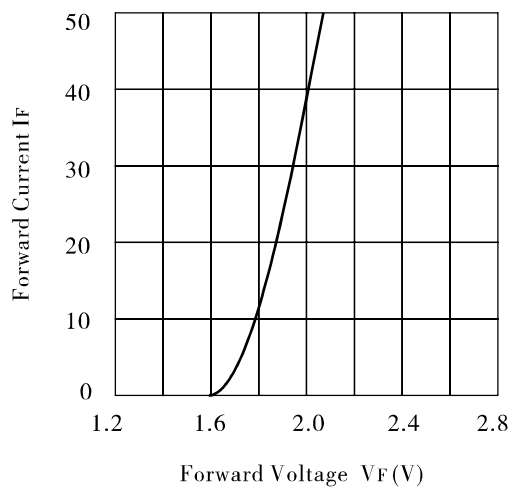
Internal Circuit Diagram (C.A.)


Electrical optical characteristics (Ta=25°C)

Parameter	Symbol	Ultra Red			Unit	Test Condition
		Min	Typ	Max		
Forward Voltage	V_F	---	2.0	2.4	V	IF=20mA
Luminous Intensity	I_V	13.7	26.6	---	mcd	IF=20mA
Peak Wavelength	λ_P	---	645	---	nm	IF=20mA
Dominant Wavelength	λ_d	---	635	---	nm	IF=20mA
Spectral Line half-width	$\Delta\lambda$	---	20	---	nm	IF=20mA
Reverse Leakage Current	I_R	---	---	50	μA	$V_R=5V$

Absolute maximum parameters (Ta=25°C)

Parameter	Symbol	Condition	Rating	Unit
Power Dissipation	PD	---	80	mW
Reverse Voltage	VR	---	5	V
Forward Average Current	IF	---	30	mA
Temperature coefficient	I/C	---	0.33	mA/°C
Pulse Current	IFP	Duty=1/10,1kHz	100	mA
Operating Temperature Range	Topr	---	-25 ~ +85	°C
Storage Temperature Range	Tstg	---	-30 ~ +100	°C
Soldering Condition	Tsd	---	260/5sec	°C

Typical Electro-Optical characteristic curves (Ta=25°C)


Reliability test conditions

Test Item	Test Condition	Result	Judgment criteria
Consecutive operating life test	IF=20mA, T=25℃, t=168h	0/12	Forward Voltage $V_F(V) = \text{Upper Limit} \times 1.2$ Reverse Leakage Current $I_R(\mu A) = \text{Upper Limit} \times 2.0$ Luminous Intensity Iv $(\text{mcd}) = \text{Lower Limit} \times 0.7$
High temperature storage life test	T=100℃, t=168h	0/12	
Low temperature storage life test	T=-25℃, t=168h	0/12	
high Temperature humidity storage life test	T=85 ± 2℃, RH=85% ± 3, t=168h	0/12	
Temperature cycle test	-25℃~25℃~100℃, 30min 5min 30min 10cycles	0/12	
Thermal shock test	100℃ 0℃ 5min 5min 20 cycles	0/12	
Soldering heat test	T=260 ± 5℃, t=10s ± 1s	0/12	
Solderability test	T=230 ± 5℃, t=5s ± 0.5s	0/12	Steeped Part ≥ 95%
Fall test	h=100cm, Free fall, 3times	0/12	Intact
Terminal strength test	W=9.8N, t=30 ± 5s	0/12	
Lead Bending test	W=4.9N, 2times	0/12	