

# F200WQ2 Series

200W single output with C.V circuit and PFC function



- Constant voltage design
- Built-in PFC function
- Low THD(Total Harmonic Distortion)
- Protections:Over current /Over voltage /Short circuit
- IP68 design for outdoor installations
- 100% full load burn-in test
- Suitable for LED lighting and street lighting applications
- Safety standards : K61347-1,K61347-2-13
- EMC standards : K61547,K00015
- Metal case

IP68

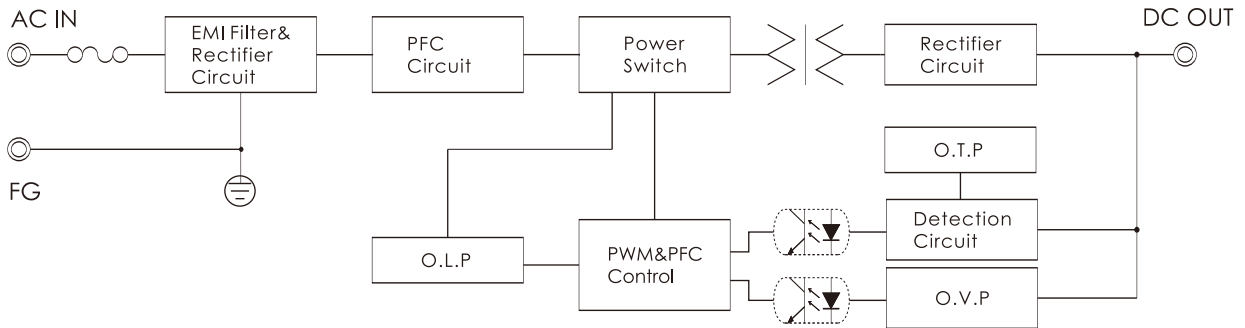
ITEM		UPF200S12WQ2	UPF200S24WQ2	UPF200S36WQ2	UPF200S48WQ2
INPUT	VOLTAGE RANGE	AC160~305V			
	FREQUENCY RANGE	47~63Hz			
	POWER FACTOR	PF>0.95 at rated power			
	THD(max.)	THD<10%(@220VAC & full load)			
	EFFICIENCY(typ.)	88%	90%	91%	91%
	AC CURRENT(typ.)	0.94A/220VAC	0.92A/220VAC	0.91A/220VAC	
	INRUSH CURRENT(typ.)	40A/230VAC			
	LEAKAGE CURRENT	<2.5mA / 230VAC			
OUTPUT	DC VOLTAGE	12V	24V	36V	48V
	RATED CURRENT	15A(12A@50°C)	7.5A(6A@50°C)	5A(4A@50°C)	3.75A(3A@50°C)
	RATED POWER	180W(144W@50°C)			
	VOLTAGE TOLERANCE	±3%			
	RIPPLE&NOISE(max.) Note2	150mVp-p	300mVp-p	450mVp-p	600mVp-p
	SETUP,RISE TIME(max.)	3000ms,100ms/230VAC at full load			
	HOLD UP TIME(typ.)	50ms/230VAC at full load			
PROTEC-TION	OVER CURRENT Note3	Over 110% of rating ; recovers automatically after fault condition is removed			
	SHORT CIRCUIT	Hiccup mode ; recovers automatically after fault condition is removed			
	OVER VOLTAGE	110~150% of rating			
ISOLA-TION	WITHSTAND VOLTAGE	I/P-O/P:AC3.75KV, I/P-F.G:AC2KV, O/P-F.G:AC1.5KV			
	ISOLATION RESISTANCE	I/P-O/P, I/P-F.G, O/P-F.G:DC500V 100Mohms(At room temp. & humid.)			
ENVIRON-MENT	WORKING TEMP.&HUMID.	-40~+70°C (Refer to "DERATING CURVE),20~95%RH			
	STORAGE TEMP.&HUMID.	-40~+80°C, 10~95%RH			
	VIBRATION	10~500Hz, 5G 12min./1cycle, period for 72min. each along X, Y, Z axes			
OTHERS	DIMENSION/WEIGHT	222*61.5*37.1mm(L*W*H)/0.77Kg			
NOTE	<p>1. All parameters not specially mentioned are measured at 230vac input, rated load and 25°C of ambient temperature.</p> <p>2. Ripple &amp; noise are measured at 20MHz of bandwidth by using a 12" twisted pare-wire terminated with 0.1 uF &amp; 47uF parallel capacitor.</p> <p>3. Refer to "DRIVING METHODS of LED MODULE"</p>				

S.M.P.S

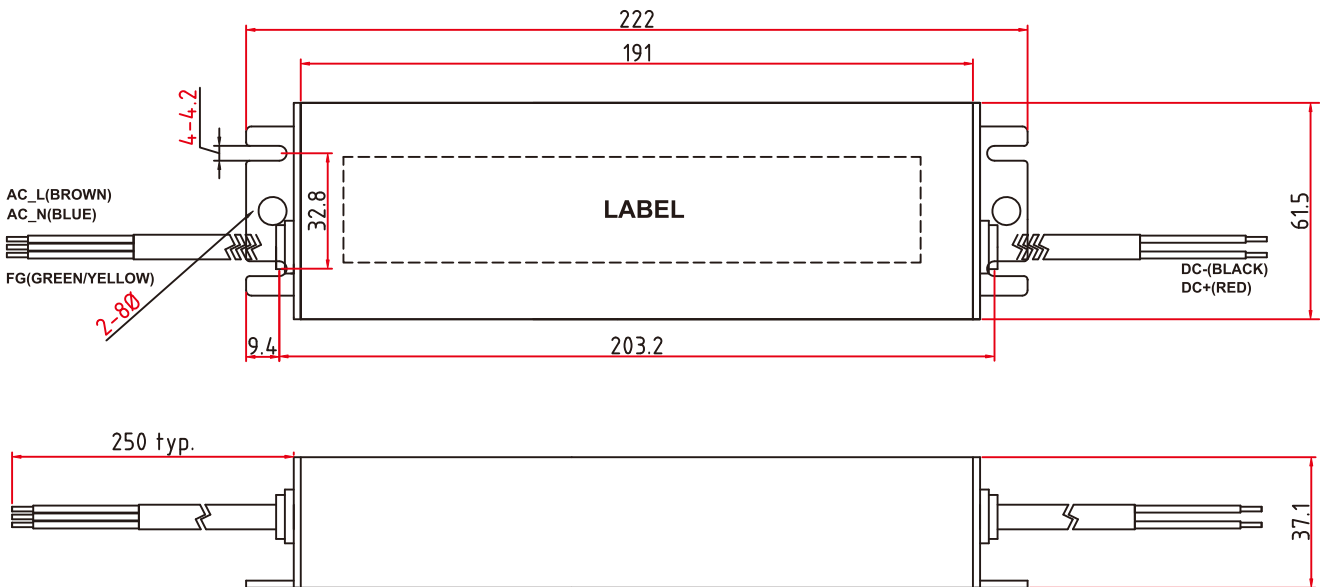
LED Converter

Water Proof Converter

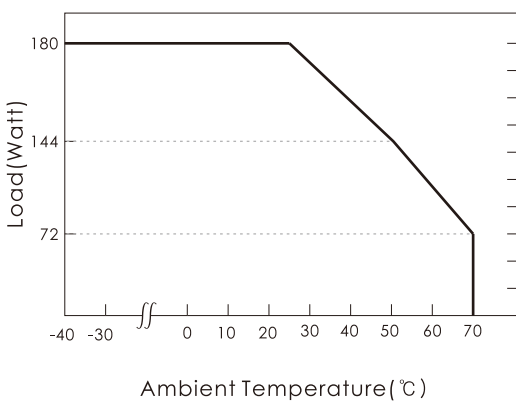
■ BLOCK DIAGRAM



■ DIMENSIONS(unit:mm)



■ DERATING CURVE



■ STATIC CHARACTERISTICS

