

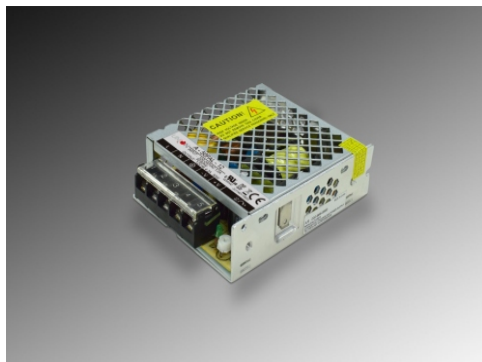
S.M.P.S

Enclosed Switching Power Supply

Low Cost & Slim Type

50FAL Series

50W SINGLE OUTPUT



- ▷ Constant voltage design
- ▷ Wide input range AC90~264V input
- ▷ No load power consumption<0.5W
- ▷ Protections: short circuit/over load
- ▷ Cooling by free air convection
- ▷ 100% full load burn-in test
- ▷ Suitable for LED lighting and industrial applications
- ▷ Safety standards : EN60950-1/K61347-1,K61347-2-13
- ▷ EMC standards : EN55022/K00015,K61547,K61000-4-2,3,4,5,6,11
- ▷ 3 years warranty



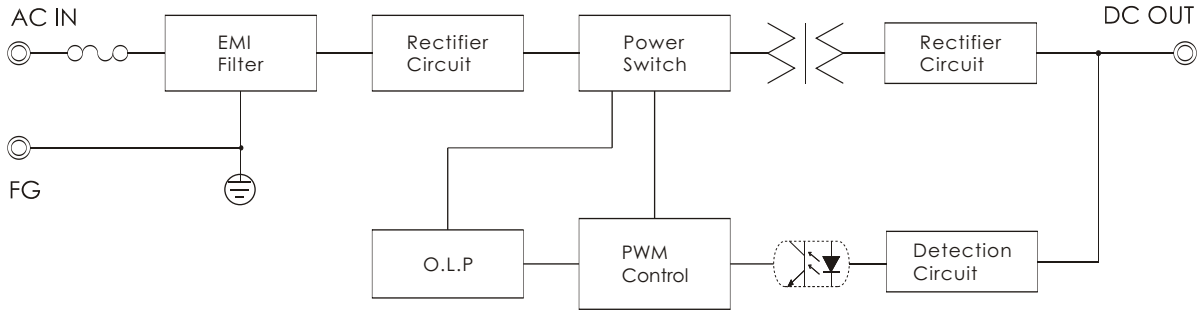
| ITEM | | A-50FAL-12 | A-50FAL-24 |
|--------------|-----------------------------------------------------------------------------------------------------------------------------------------------------------------------------------------------------------------------------------------------------------------------------------------------------------------------------------------------------------------------------------------------------------------------------------------------------------|-----------------------------------------------------------------------|-------------|
| INPUT | VOLTAGE RANGE | AC90~264V | |
| | FREQUENCY RANGE | 47~63Hz | |
| | EFFICIENCY(typ.) | 85% | 87% |
| | AC CURRENT(typ.) | 0.95A/115VAC | 0.6A/230VAC |
| | INRUSH CURRENT(typ.) | 45A/230VAC | |
| | LEAKAGE CURRENT | <3.5mA / 240VAC | |
| OUTPUT | DC VOLTAGE | 12V | 24V |
| | RATED CURRENT | 4.2A | 2.2A |
| | RATED POWER | 50W | 50W |
| | RIPPLE&NOISE(max.) | 250mVp-p | 250mVp-p |
| | VOLTAGE ADJ. RANGE | ±5% | |
| | VOLTAGE ACCURACY | ±1.0% | |
| | LINE REGULATION | ±0.5% | |
| | LOAD REGULATION | ±0.5% | |
| | SETUP,RISE TIME | 1000ms,30ms/230VAC 100% load | |
| | HOLD UP TIME(typ.) | 30ms/230VAC 12ms/115VAC 100% Load | |
| PROTEC-TION | SHORT CIRCUIT | Hiccup mode ; recovers automatically after fault condition is removed | |
| | OVER LOAD | 110~150% of rated output | |
| ISOLA-TION | WITHSTAND VOLTAGE | I/P-O/P:AC3KV, I/P-F.G:AC2KV, O/P-F.G:AC0.5KV | |
| | ISOLATION RESISTANCE | I/P-O/P, I/P-F.G, O/P-F.G:DC500V 100Mohms(At room temp. & humid.) | |
| ENVIRON-MENT | WORKING TEMP.&HUMID. | -30~+50℃ (Refer to "DERATING CURVE"),20~95%RH | |
| | STORAGE TEMP.&HUMID. | -40~+85℃,10~95%RH | |
| | VIBRATION | 10~500Hz, 2G 10min./1cycle, period for 60min. each along X, Y, Z axes | |
| OTHERS | LIFETIME | 100,000 hours(25℃) | |
| | DIMENSION/WEIGHT | 99*82*30mm(L*W*H)/0.23Kg | |
| NOTE | <p>* In order to extend the lifetime, it is recommended to configure the load no more than 30% of the remaining allowance. For example: the power of the device requires 100W, then use the power of less than 130W.</p> <p>* Ripple test method: 20MHz oscilloscope in power output terminal test, oscilloscope probe wire length is not more than 12mm, and input parallel 47uF electrolytic capacitors and 0.1uF high frequency capacitance probe.</p> | | |

S.M.P.S

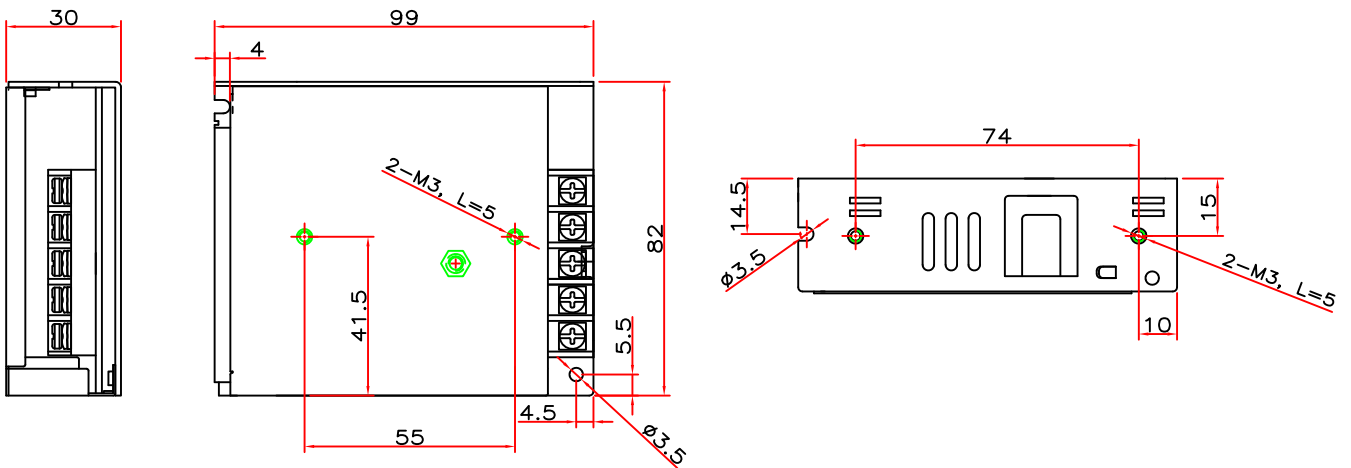
Enclosed Switching Power Supply

Low Cost Type

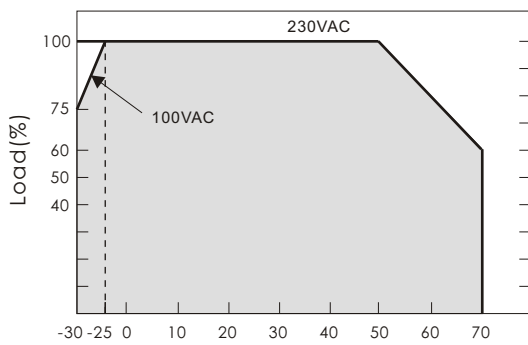
■ BLOCK DIAGRAM



■ DIMENSIONS(unit:mm)



■ DERATING CURVE



■ STATIC CHARACTERISTICS

