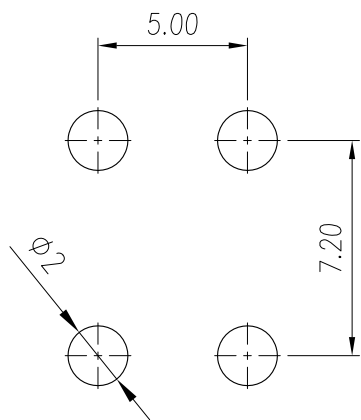




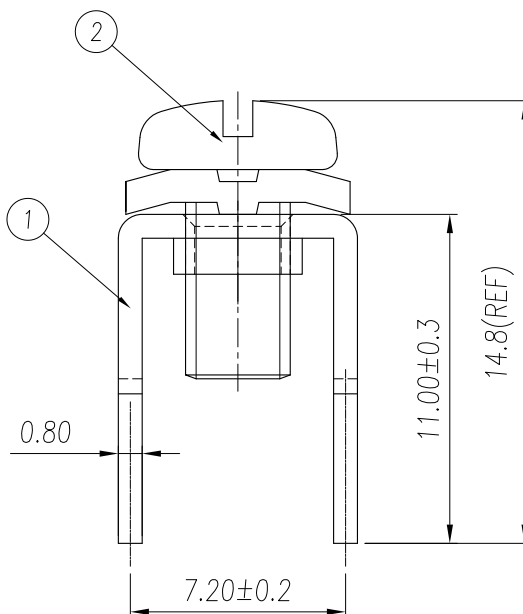
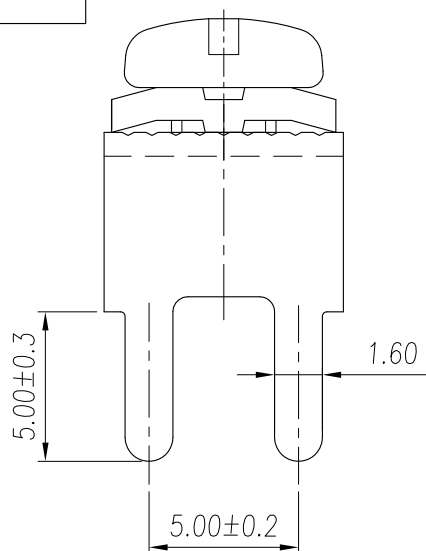
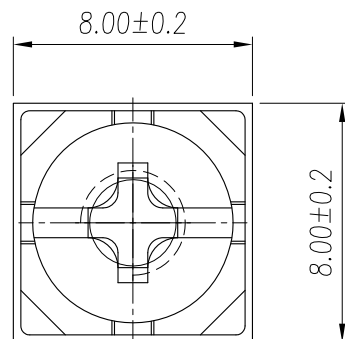
# 慈溪市万捷电子有限公司

## CIXI WANJIE ELECTRONIC CO., LTD

产品规格书  
THE SPEC SHEET



P.C.B. LAYOUT



材质及电镀/Material

螺丝/Screws: M3.5, Steel, Ni plated:

焊针/Pin header: Brass, Sn plated

电气性能/Electrical

参考标准/Standard: UL

额定电流/Rated current: 15A

接触电阻/Contact resistance: 20mΩ

最大锁紧扭力/Torque: 0.8Nm(7.01b. in)

linear dimension(Tolerances Standard GB/T 14486-2008)												≡	—	□	//	⊥
variable range	to 6	over 6 to 10	over 10 to 18	over 18 to 30	over 30 to 50	over 50 to 80	over 80 to 120	over 120 to 160	over 160 to 200	over 200 to 250	over 250 to all	all	to 5	over 5 to 30	over 30 to 120	over 120 to
tolerance	±0.1	±0.14	±0.19	±0.25	±0.32	±0.43	±0.57	±0.72	±0.88	±1.05	±1.25	0.5	0.025	0.06	0.12	0.4

单位/UNITS	mm	尺寸/SIZE	A4	比例/SCALE	4:1	第三视角/THIRD ANGLE PROJECTION	
 慈溪市万捷电子有限公司 CIXI WANJIE ELECTRONIC CO., LTD						名称/TITLE	WJK01