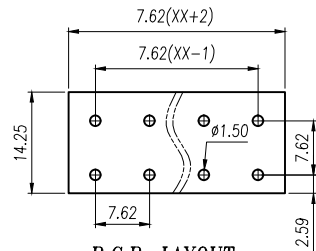
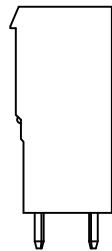
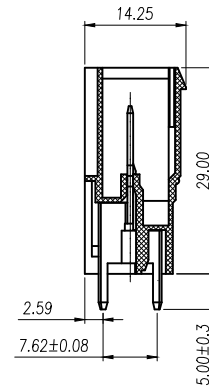
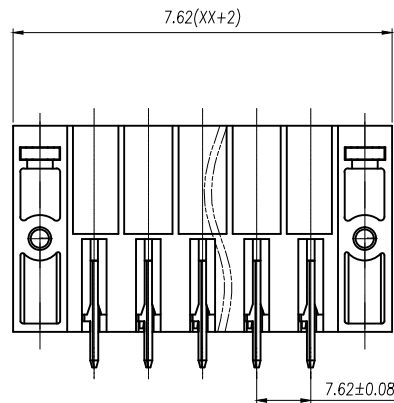
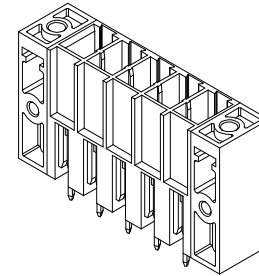
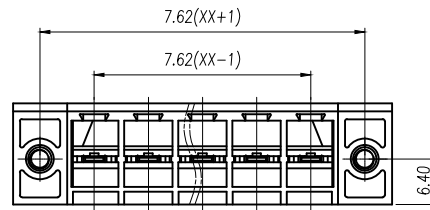


CIXI WANJIE ELECTRONIC CO., LTD

THE SPEC SHEET



P.C.B. LAYOUT



Electrical

Standard	UL	IEC
Rated voltage	300V	400V
Rated current	30A	32A
Contact resistance	20mΩ	
Insulation resistance	500MΩ/DC500V	
Withstanding voltage	AC 1600V/1 Min	

Mechanical

Temp.Range	-40°C~+105°C
Max Soldering	+250°C, for 5 Sec

Dimensions

Pitch	7.62mm
Poles	2-24P

Material

Housing	PA66, UL94V-0
Pin header	Copper alloy, Sn plated
Nut	Steel, Zn plated

		linear dimension(Tolerances Standard GB/T 14486-2008)										≡	-	□	//	⊥
variable range	to	over 6 to 10	over 10 to 18	over 18 to 30	over 30 to 50	over 50 to 80	over 80 to 120	over 120 to 160	over 160 to 200	over 200 to 250	over 250 to	all	to 5	over 5 to 30	over 30 to 120	over 120 to
tolerance	±0.1	±0.14	±0.19	±0.25	±0.32	±0.45	±0.57	±0.72	±0.88	±1.05	±1.25	0.5	0.025	0.06	0.12	0.4

UNITS	mm	SIZE	A4	SCALE	1:1	THIRD ANGLE PROJECTION	
CIXI WANJIE ELECTRONIC CO., LTD							
						TITLE	WJ3EDGVZM-7.62-XXP-1YY-00A