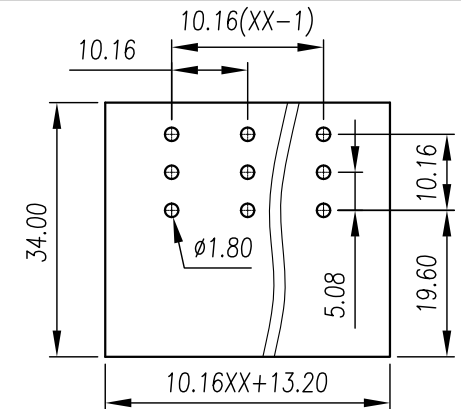
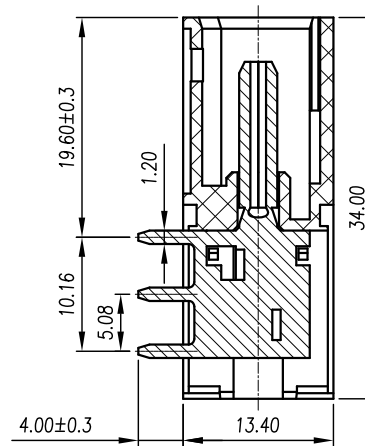
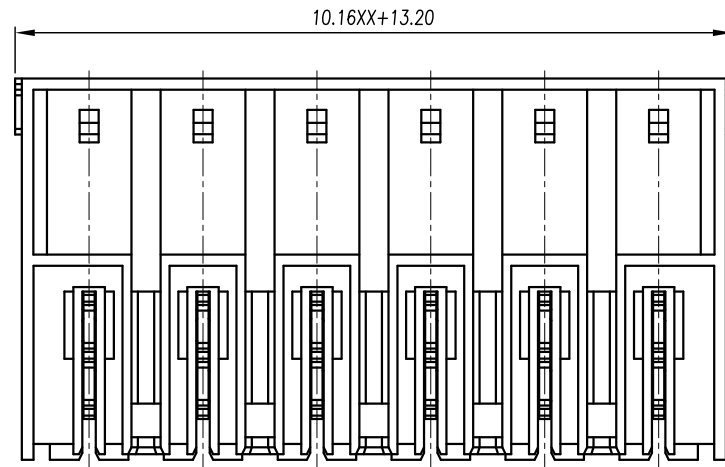


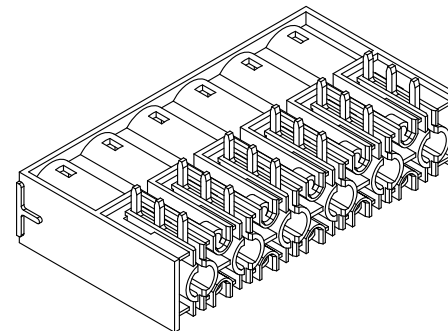
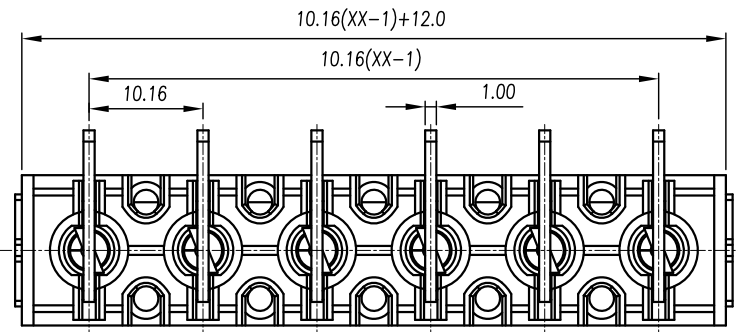


# CIXI WANJIE ELECTRONIC CO., LTD

## THE SPEC SHEET



P.C.B. LAYOUT



### Electrical

Standard	UL	IEC
Rated voltage	300V	1000V
Rated current	55A	76A
Contact resistance	20mΩ	
Insulation resistance	500MΩ/DC500V	
Wrth standing voltage	AC 3500V/1 Min	

### Mechanical

Temp.Range	-40°C~+105°C
MAX Soldering	+250°C, for 5 Sec

### Dimensions

Pitch	10.16mm
Poles	02~18p

### Material

Housing	PA66, UL94V-0
Pin header	Copper alloy, Sn plated

linear dimension (Tolerances Standard GB/T 14486-2008)											≡	—	□	//	⊥	
variable range	to 6	over 6 to 10	over 10 to 18	over 18 to 30	over 30 to 50	over 50 to 80	over 80 to 120	over 120 to 160	over 160 to 200	over 200 to 250	all	to 5	over 5 to 30	over 30 to 120	over 120 to	
tolerance	±0.1	±0.14	±0.19	±0.25	±0.32	±0.43	±0.57	±0.72	±0.88	±1.05	±1.25	0.5	0.025	0.06	0.12	0.4

UNITS	mm	SIZE	A4	SCALE	3:2	THIRD ANGLE PROJECTION	
CIXI WANJIE ELECTRONIC CO., LTD						TITLE	WJ3EDGRC-10.16-XXP-1YY-00A