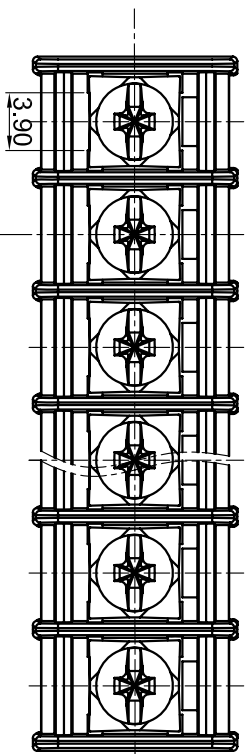
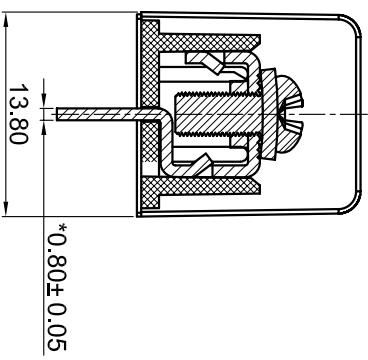
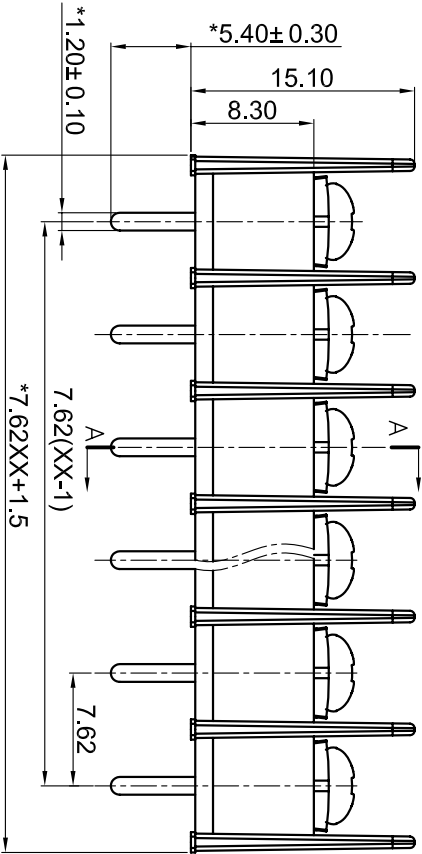




SHUI YUANPU (R)

CIXI WANJIE ELECTRONIC CO., LTD

product specification



SECTION A-A

Electrical
 Standard: UL IEC
 Rated voltage: 300V 250V
 Rated current: 15A 24A
 Wire range: 22-14AWG 2.5mm²
 Withstanding voltage: AC2000V/1Min

Mechanical
 Torque: 0.5N.m 4.5Lb.in
 Temp.Range: -40°C~+105°C

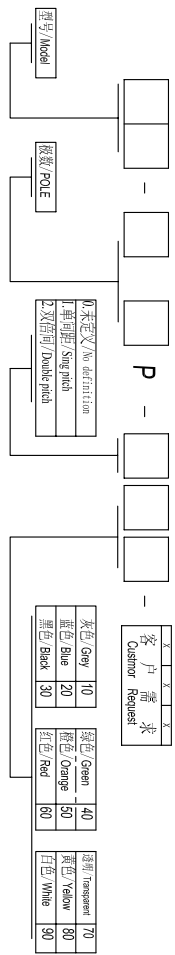
Dimensions
 Pitch: 7.62mm(0.300")
 Poles: 2p-24p

Material
 Housing: PA66, UL94V-0
 Screws: M3, steel; Ni Plated
 Pin header: Brass, Snce plated

TOLERANCES EXCEPT AS NOTED

	linear dimension	fillet	chamfer	short angle sid															
variable range	over 6 to 30	over 30 to 120	over 120 to 480	all	over 6 to 10	over 10 to 50	over 50 to 120	all	over 5 to 30	over 30 to 120	over 120 to 480	over 480 to 1200	over 1200 to 2400	over 2400 to 4800	over 4800 to 9600	over 9600 to 19200	over 19200 to 38400	over 38400 to 76800	over 76800 to 153600
tolerance	±0.1	±0.2	±0.3	±0.5	±0.9	±0.2	±0.5	±1	1°	30°	20°	10°	0.5	0.025	0.06	0.12	0.12	0.4	0.4

HOW TO ORDER



UNITS mm SIZE A4 SCALE 2:1

SHUI YUANPU CIXI WANJIE ELECTRONIC CO., LTD

NAME WJ25C-A-XP-1YY-00A

FIRST ANGLE PROJECTION