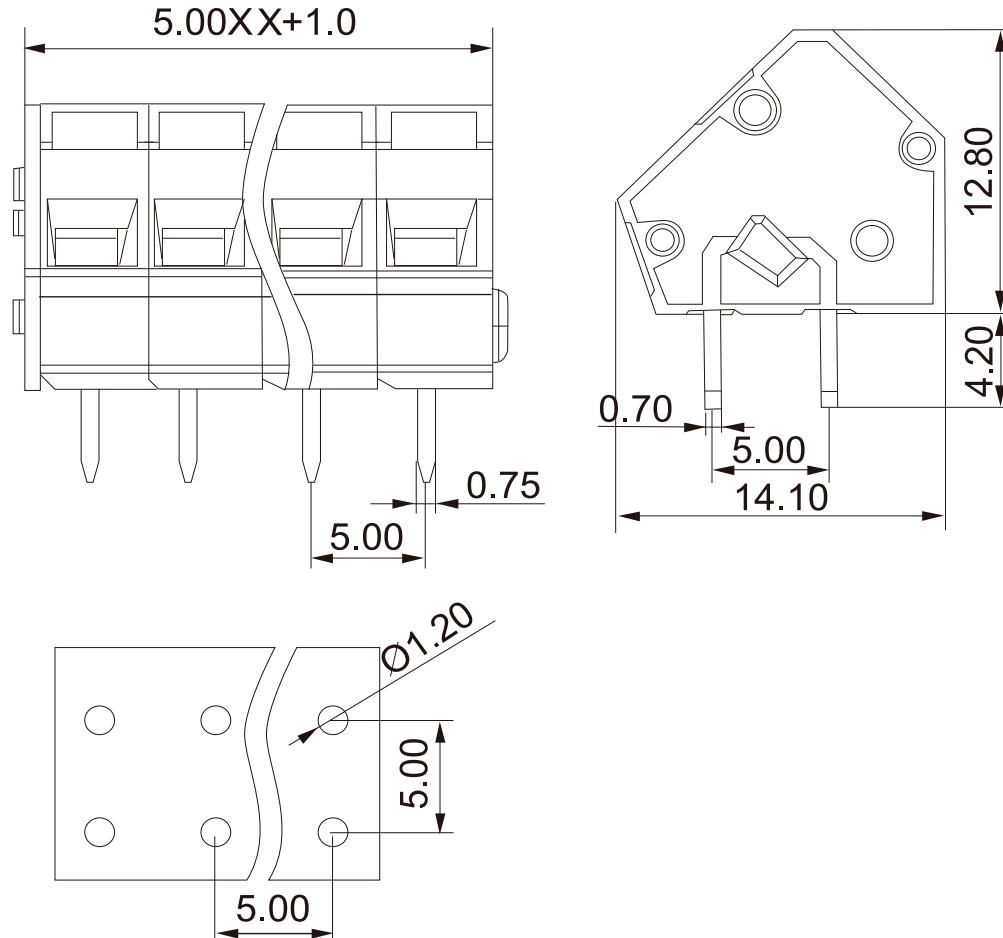




CIXI WANJIE ELECTRONIC CO., LTD

product specification



Electrical

Standard	UL	IEC
Rated voltage	300V	250V
Rated current	10A	15A
Contact resistance	20mΩ	
Insulation resistance	5000MΩ/DC1000 V	
Wire range	28-14 A WG 2.5mm ²	
Withstanding voltage	AC 2000V/1 Min	

Mechanical

Temp.Range	-40 °C ~+105 °C
MAX Soldering	+250°C for 5 Sec
Strip length	5-6mm

Dimensions

Pitch	5.0mm
Poles	1p. xxp

Material

Housing	PA66,UL94V-0
Pin housing	Brass,Tin plated
Wire guard	Stainless steel (SUS301)

TOLERANCES EXCEPT AS NOTED

	linear dimension				fillet	chamfer	∠ short angle sid				≡	—	□	//	⊥	
	variable	range	tolerance				over	over	over	over						over
to	6	30	120	480	all	to	to	to	to	to	to	to	to	to	to	
±0.1	±0.2	±0.3	±0.5	±0.9	±0.2	±0.5	±1	1°	30'	20'	10'	0.5	0.025	0.06	0.12	0.4

UNITS	mm	SIZE	A4	SCALE	FIRST ANGLE PROJECTION	
CIXI WANJIE ELECTRONIC CO., LTD						
					NAME	WJ245-5.0