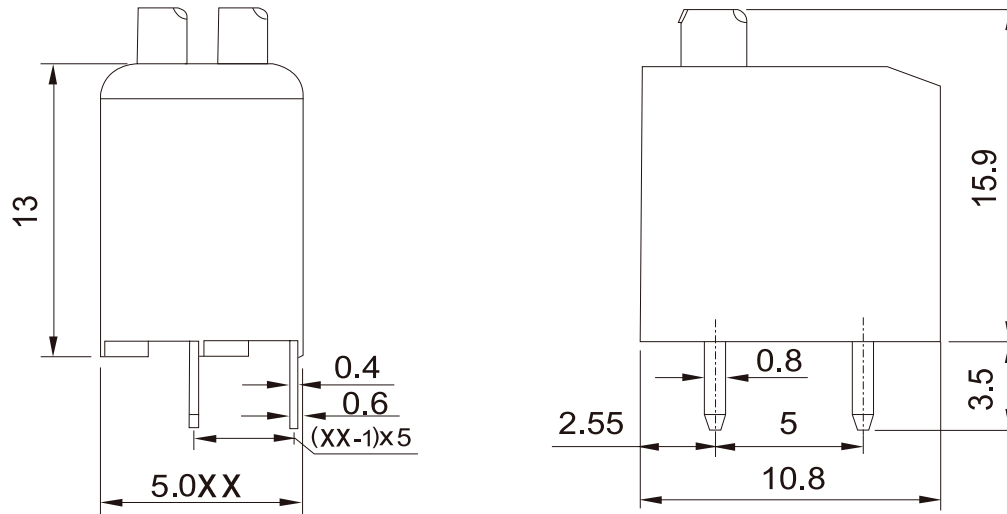


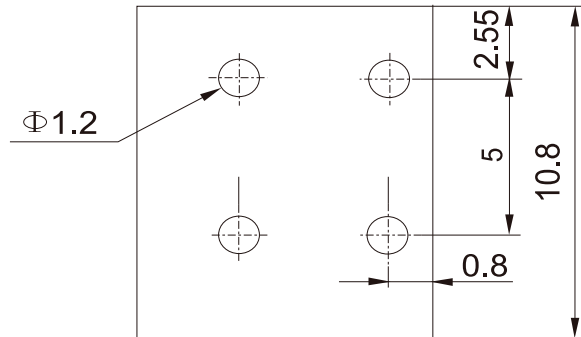


# CIXI WANJIE ELECTRONIC CO., LTD

product specification



## P.C.B. LAYOUT



## Electrical

Standard	UL	IEC
Rated voltage	300V	250V
Rated current	8A	12A
Contact resistance	20mΩ	
Insulation resistance	5000MΩ/DC1000 V	
Wire range	20-16 A WG 1.5mm <sup>2</sup>	
Withstanding voltage	AC 2000V/1 Min	

## Mechanical

Temp.Range	-40 °C ~+105 °C
MAX Soldering	+250°C for 5 Sec
Strip length	8-9mm

## Dimensions

Pitch	5.0mm
Poles	1p. xxp

## Material

Housing	PA66,UL94 V-0
Pin housing	Brass,Tin plated
Wire guard	Stainless steel (SUS301)

### TOLERANCES EXCEPT AS NOTED

variable range	linear dimension					fillet	chamfer	short angle sid				≡	-	□	//	⊥	
	to 6	over 6 to 30	over 30 to 120	over 120 to 480	over 480 to			to 6	to 10	to 30	to 120						to 5
tolerance	±0.1	±0.2	±0.3	±0.5	±0.9	±0.2	±0.5	±1	1°	30'	20'	10'	0.5	0.025	0.06	0.12	0.4

UNITS	mm	SIZE	A4	SCALE	FIRST ANGLE PROJECTION	
CIXI WANJIE ELECTRONIC CO., LTD						
					NAME	WJ236-5.0