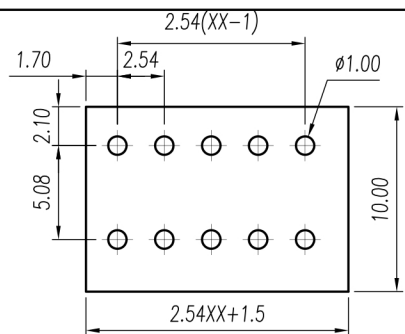


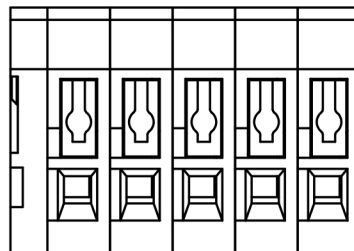


CIXI WANJIE ELECTRONIC CO., LTD

THE SPEC SHEET



P.C.B. LAYOUT



Standard	UL	IEC
Rated voltage	150V	130V
Rated current	5A	6A
Contact resistance	20mΩ	
Insulation resistance	500MΩ/DC500V	
Wire range	26~20AWG	0.5mm ²
Wrth standing voltage	AC 1250V/1 Min	

Mechanical

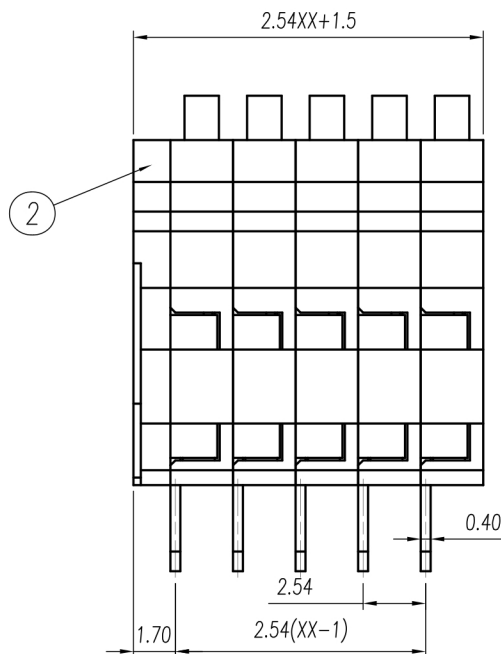
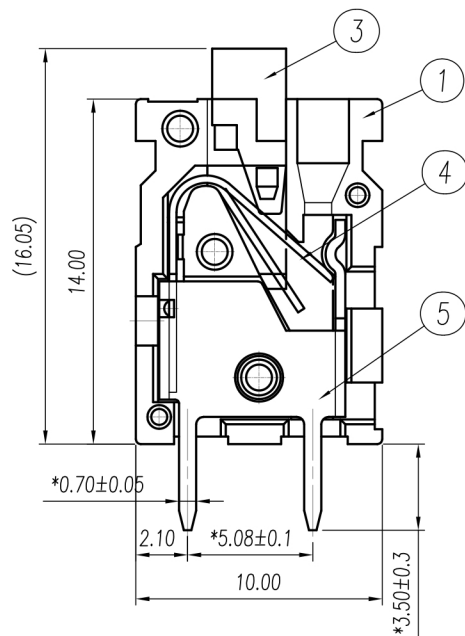
MAX Soldering	+250°C for 5 Sec
Steip Length	12mm
Temp.Range	-40°C~+105°C

Dimensions

Pitch	2.54mm
Poles	1-XXp

Material

Housing	PA66, UL94V-0
Pin header	Brass, Tin plated
Wire guard	Stainless steel



linear dimension(Tolerances Standard GB/T 14486-2008)



variable range	to 6	over 6 to 10	over 10 to 18	over 18 to 30	over 30 to 50	over 50 to 80	over 80 to 120	over 120 to 160	over 160 to 200	over 200 to 250	all	to 5	over 5 to 30	over 30 to 120	over 120 to	
tolerance	±0.1	±0.14	±0.19	±0.25	±0.32	±0.43	±0.57	±0.72	±0.88	±1.05	±1.25	0.5	0.025	0.06	0.12	0.4

UNITS	mm	SIZE	A4	SCALE	3:1	THIRD ANGLE PROJECTION
CIXI WANJIE ELECTRONIC CO., LTD						
TITLE						WJ211V-2.54-XXP-1YY-00A