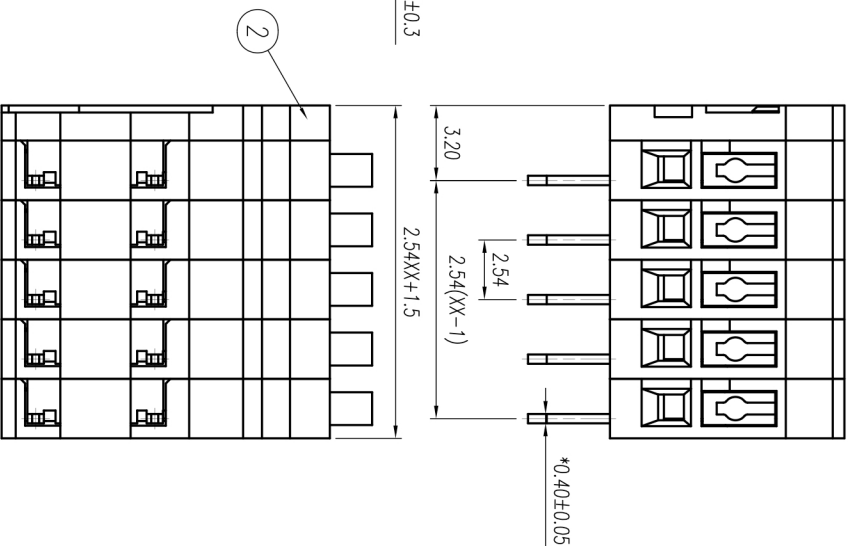
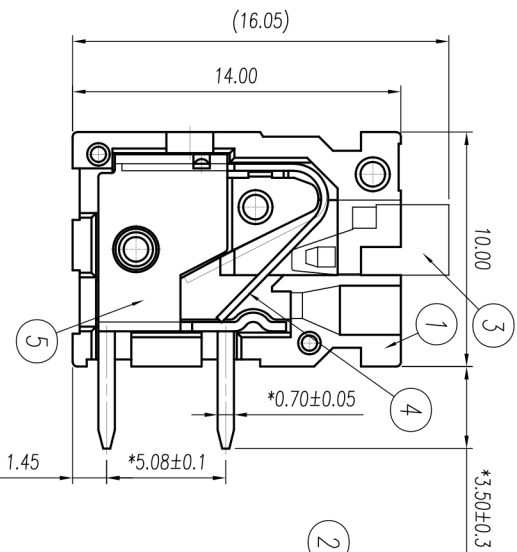
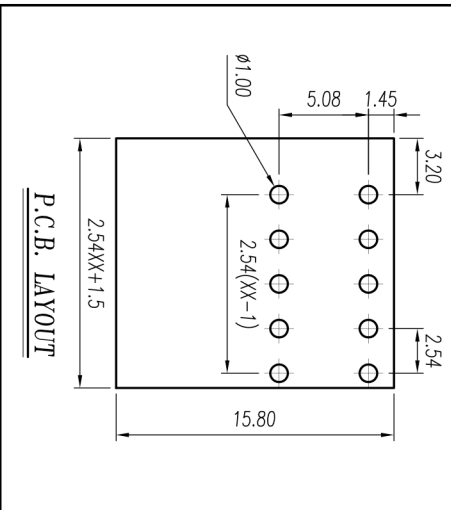


CIXI WANJIE ELECTRONIC CO., LTD

THE SPEC SHEET



Standard

Rated voltage	UL 150V	IEC 130V
Rated current	5A	6A
Contact resistance	20mΩ	
Insulation resistance	500MΩ /DC500V	
Wire range	26-20AWG	0.5mm ²
With standing voltage	AC 1250V/1 Min	

Mechanical

MAX Soldering Temp	+250°C for 5 Sec
Steip Length	12mm
Temp. Range	-40°C~+105°C

Dimensions

Pitch	2.54mm
Poles	1-XXp

Material

Housing	PA66, UL94V-0
Pin header	Brass, Tin plated
Wire guard	Stainless steel

linear dimension(Tolerances Standard GB/T 14486-2008)

variable range	6 to 10	over 6 to 10	over 10 to 18	over 18 to 30	over 30 to 50	over 50 to 80	over 80 to 120	over 120 to 160	over 160 to 200	over 200 to 250	over 250 to 500	all	5 to 30	over 30 to 120	over 120 to 250	
tolerance	±0.1	±0.14	±0.19	±0.25	±0.32	±0.43	±0.57	±0.72	±0.88	±1.05	±1.25	0.5	0.025	0.06	0.12	0.4

UNITS	mm	SIZE	A4	SCALE	3:1	THIRD ANGLE PROJECTION
CIXI WANJIE ELECTRONIC CO., LTD						TITLE
						WJ21R-2.54-XP-1Y-00A

