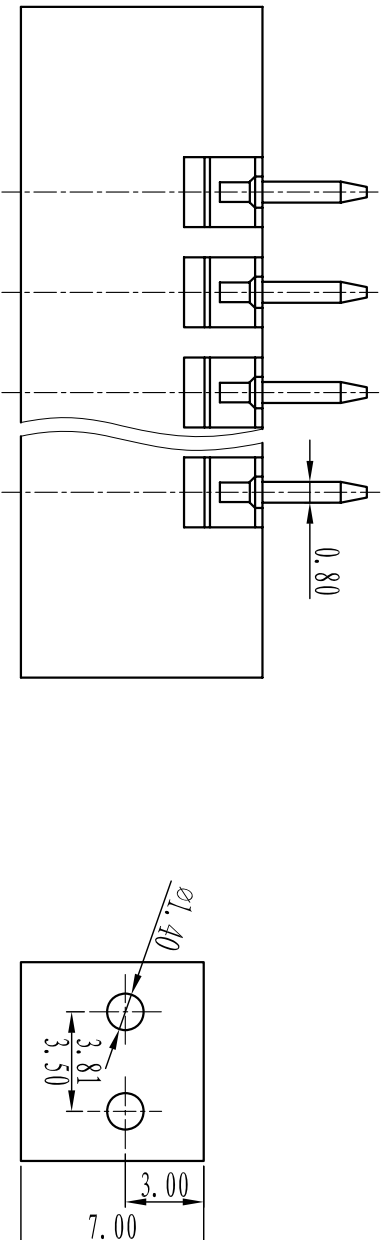
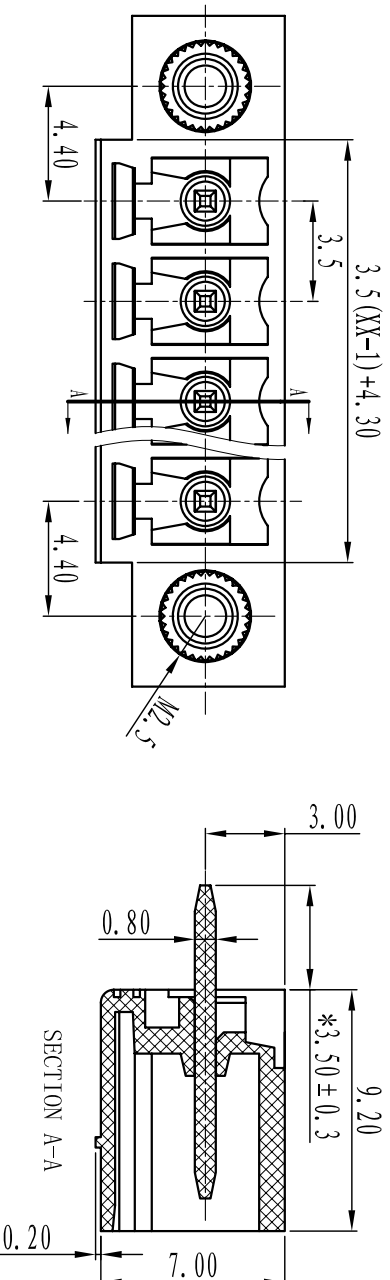




# CIXI WANJIE ELECTRONIC CO., LTD

product specification



TOLERANCES EXCEPT AS NOTED

	linear dimension	fillet	chamfer	short angle sid	≡	□	//	⊥
variable range	6 to 30	to 30	to 120	to 480	all	to 6	to 10	to 50
tolerance	±0.1 to ±0.2	±0.2	±0.3 to ±0.5	±0.5 to ±0.9	±0.2	±0.5	±1	1° to 30'
	over 6 to 30	over 30 to 120	over 120 to 480	over 480 to all	over 6 to 10	over 10 to 50	over 50 to 120	over 120 to all
	±0.1 to ±0.2	±0.2	±0.3 to ±0.5	±0.5 to ±0.9	±0.2	±0.5	±1	1° to 30'
	over 6 to 30	over 30 to 120	over 120 to 480	over 480 to all	over 6 to 10	over 10 to 50	over 50 to 120	over 120 to all
	±0.1 to ±0.2	±0.2	±0.3 to ±0.5	±0.5 to ±0.9	±0.2	±0.5	±1	1° to 30'

## Electrical

Standard: UL TEC  
 Rated voltage: 300V 250V  
 Rated current: 8A 10A  
 Contact resistance: 20mΩ  
 Withstanding voltage: AC2000V/1Min  
 Insulation resistance: 500MΩ/DC500V

## Mechanical

Temp.Range: -40° C~+105° C  
 MAX Soldering: +250° C, for 5 Sec

## Dimensions

Pitch: 3.81mm/3.50mm  
 Poles: 2P-2HP

## Material

Nut: M2.5, Brass  
 Pin header: Brass, Tin plated  
 Housing: PA66, UL94V-0

UNITS	mm	SIZE	A4	SCALE	FIRST ANGLE PROJECTION
CIXI WANJIE ELECTRONIC CO., LTD					NAME
					WJ15SD01V1-3-5-XHP-1TY-00A