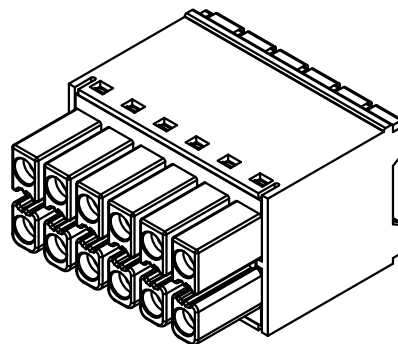
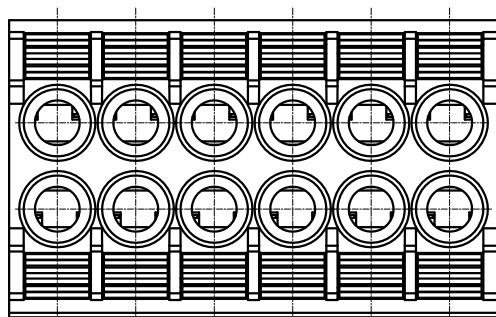
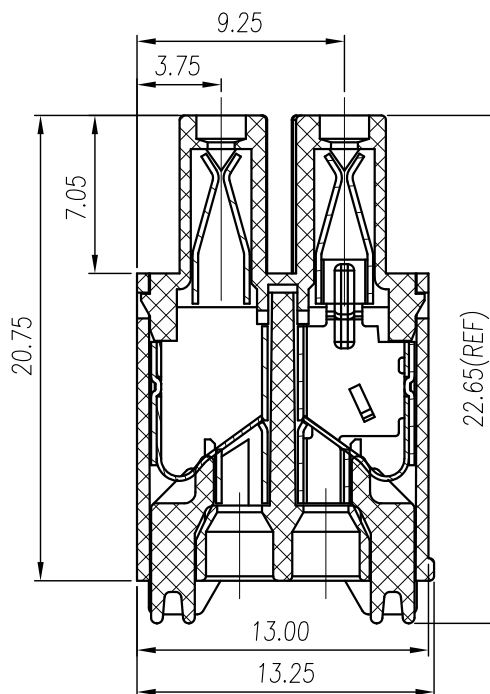
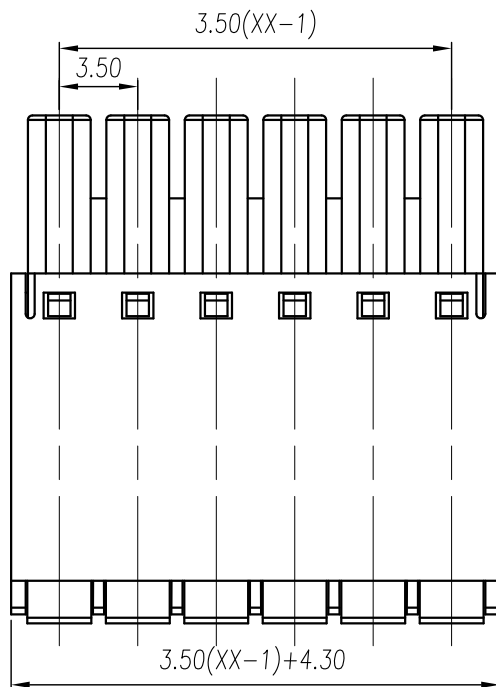


CIXI WANJIE ELECTRONIC CO., LTD

THE SPEC SHEET



Electrical

Standard: UL IEC
 Rated voltage: 300V 250V
 Rated current: 8A 7A
 Contact resistance: 20mΩ
 Wire range: 24-16AWG 1.0mm²
 Withstanding voltage: AC2000V/1Min
 Insulation resistance: 500MΩ/DC500V

Mechanical

Temp.Range: -40° C~+105° C
 Strip length: 9-10mm

Dimensions

Pitch: 3.5mm,
 Poles: 2*02P-2*24P

Material

Housing: PA66, UL94V-0
 Clamp: Copper alloy, Sn plated
 shrapnel: stainless steel

		linear dimension(Tolerances Standard GB/T 14486-2008)										≡	—	□	//	⊥
variable range	to 6	over 6 to 10	over 10 to 18	over 18 to 30	over 30 to 50	over 50 to 80	over 80 to 120	over 120 to 160	over 160 to 200	over 200 to 250	all	to 5	over 5 to 30	over 30 to 120	over 120 to	
tolerance	±0.1	±0.14	±0.19	±0.25	±0.32	±0.45	±0.57	±0.72	±0.88	±1.05	±1.25	0.5	0.025	0.06	0.12	0.4

UNITS	mm	SIZE	A4	SCALE	3:1	THIRD ANGLE PROJECTION	
CIXI WANJIE ELECTRONIC CO., LTD							
						TITLE	WJ15EDGKNH-3.5-2*XXP-1YY-00A