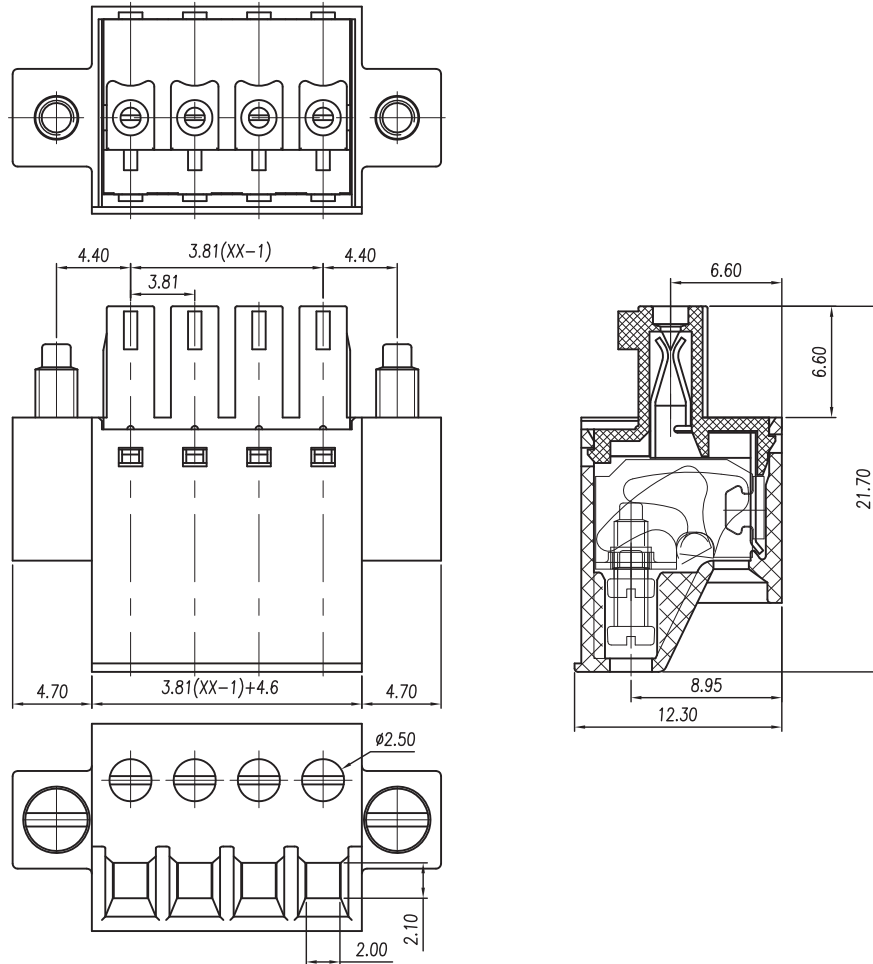




CIXI WANJIE ELECTRONIC CO., LTD

THE SPEC SHEET



Electrical

Standard	UL	IEC
Rated voltage	300V	250V
Rated current	8A	13.5A
Contact resistance	20m Ω	
Insulation resistance	500M Ω /DC500V	
Wire range	28~16AWG	1.0mm ²
Wrth standing voltage	AC 2000V/1 Min	

Mechanical

Torque(Max)	0.2Nm(1.8Lb.in)
Steip Length	7mm
Temp.Range	-40 $^{\circ}$ C~+105 $^{\circ}$ C

Dimensions

Pitch	3.81mm
Poles	2~24p

Material

Housing	PA66, UL94V-0
Screws	M2.0, Steel, Zn plated
Clamp	Phosphor bronze, Ni plated
Cage	Brass, Zn plated
Slide block	Steel, Zn plated

linear dimension(Tolerances Standard GB/T 14486-2008)

	linear dimension(Tolerances Standard GB/T 14486-2008)											≡	—	□	//	⊥
variable range	to 6	over 6 to 10	over 10 to 18	over 18 to 30	over 30 to 50	over 50 to 80	over 80 to 120	over 120 to 160	over 160 to 200	over 200 to 250	over 250 to	all	to 5	over 5 to 30	over 30 to 120	over 120 to
tolerance	±0.1	±0.14	±0.19	±0.25	±0.32	±0.43	±0.57	±0.72	±0.88	±1.05	±1.25	0.5	0.025	0.06	0.12	0.4

UNITS	mm	SIZE	A4	SCALE	3:1	THIRD ANGLE PROJECTION	
CIXI WANJIE ELECTRONIC CO., LTD							
TITLE						WJ15EDGKCM-3.81-XXP-1YY-00A	