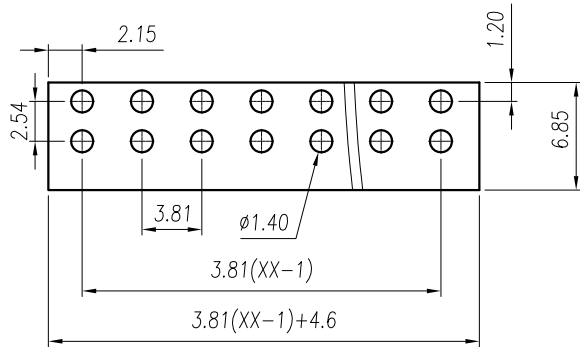


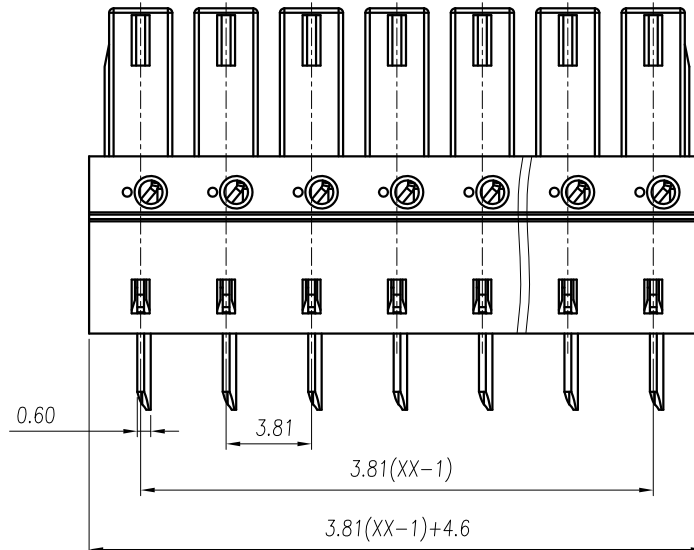
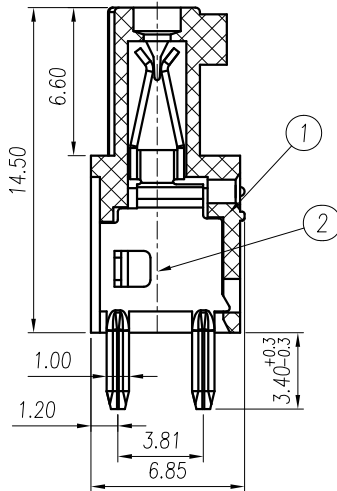
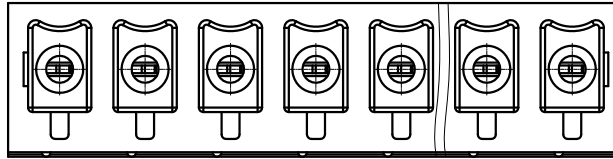


CIXI WANJIE ELECTRONIC CO., LTD

THE SPEC SHEET



P.C.B. LAYOUT



Electrical

| | | |
|-----------------------|----------------|------|
| Standard | UL | IEC |
| Rated voltage | 300V | 250V |
| Rated current | 8A | 10A |
| Contact resistance | 20mΩ | |
| Insulation resistance | 500MΩ/DC500V | |
| Wrth standing voltage | AC 1500V/1 Min | |

Mechanical

| | |
|---------------|-------------------|
| Temp. Range | -40°C~+105°C |
| MAX Soldering | +250°C, for 5 Sec |

Dimensions

| | |
|------------|------------------------|
| Pitch | 3.81mm |
| Poles | 02~24P |
| Material | |
| Housing | PA66, UL94V-0 |
| Pin header | Copper alloy Sn plated |

| | | linear dimension(Tolerances Standard GB/T 14486-2008) | | | | | | | | | | ≡ | — | □ | // | ⊥ | |
|----------------|------|---|---------------|---------------|---------------|---------------|----------------|-----------------|-----------------|-----------------|-------------|-----|-------|--------------|----------------|-------------|--|
| variable range | to 6 | over 6 to 10 | over 10 to 18 | over 18 to 30 | over 30 to 50 | over 50 to 80 | over 80 to 120 | over 120 to 160 | over 160 to 200 | over 200 to 250 | over 250 to | all | to 5 | over 5 to 30 | over 30 to 120 | over 120 to | |
| tolerance | ±0.1 | ±0.14 | ±0.19 | ±0.25 | ±0.32 | ±0.43 | ±0.57 | ±0.72 | ±0.88 | ±1.05 | ±1.25 | 0.5 | 0.025 | 0.06 | 0.12 | 0.4 | |

| | | | | | | | |
|---------------------------------|----|------|----|-------|-----|------------------------|---------------------------|
| UNITS | mm | SIZE | A4 | SCALE | 2:1 | THIRD ANGLE PROJECTION | |
| CIXI WANJIE ELECTRONIC CO., LTD | | | | | | | |
| | | | | | | TITLE | WJ15EDGB-3.81-XXP-1YY-00A |