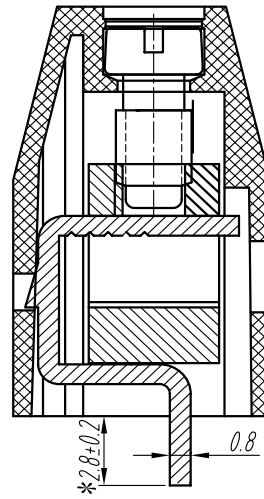
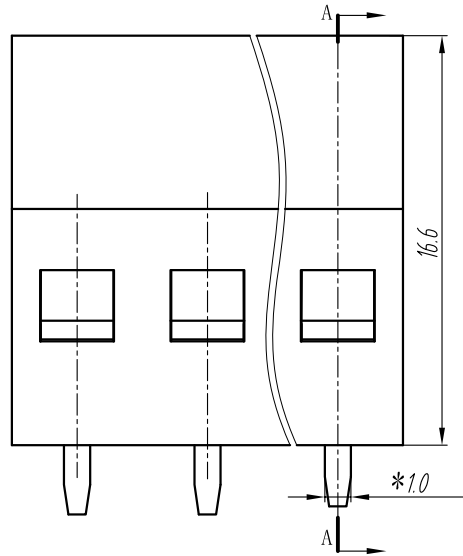


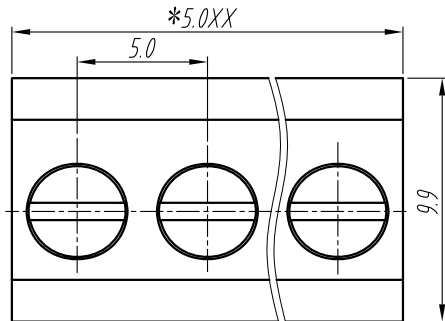


# CIXI WANJIE ELECTRONIC CO., LTD

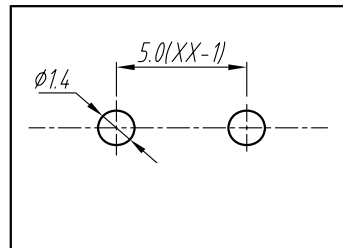
product specification



SECTION:A-A



P.C.B.LAYOUT



## Electrical

Standard	UL	IEC
Rated voltage	300V	250V
Rated current	10A	18A
Contact resistance	20mΩ	
Insulation resistance	5000MΩ/DC1000V	
Wire range	24-14A WG 2.5mm <sup>2</sup>	
Withstanding voltage	AC 2000V/1 Min	

## Mechanical

Temp.Range	-40℃ ~ +105℃
MAX Soldering	+250℃ for 5 Sec
Torque	0.5Nm(4.5lb .in)
Strip length	4.5-5mm

## Dimensions

Pitch	5.0mm 10.0mm
Poles	2p. xxp

## Material

Housing	PA66, UL94V-0
Screws	M3 steel Zinc plated
Pin housing	Brass, Tin plated
Clamp	Brass, Ni plated

### TOLERANCES EXCEPT AS NOTED

variable range	linear dimension				fillet	chamfer	∠ short angle sid				≡	—	□	//	⊥	
	to 6	over 6 to 30	over 30 to 120	over 120 to 480			to 6	to 10	to 50	to 120						to 5
tolerance	±0.1	±0.2	±0.3	±0.5	±0.2	±0.5	±1	1°	30'	20'	10'	0.5	0.025	0.06	0.12	0.4

UNITS	mm	SIZE	A4	SCALE	FIRST ANGLE PROJECTION	
CIXI WANJIE ELECTRONIC CO., LTD						
					NAME	WJ122-5.0