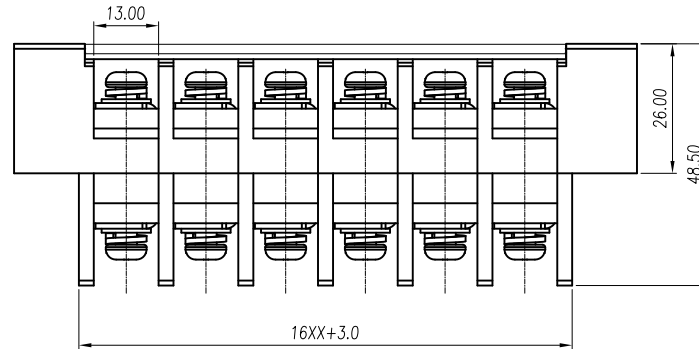
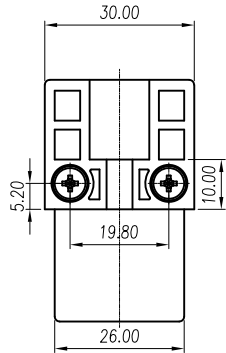
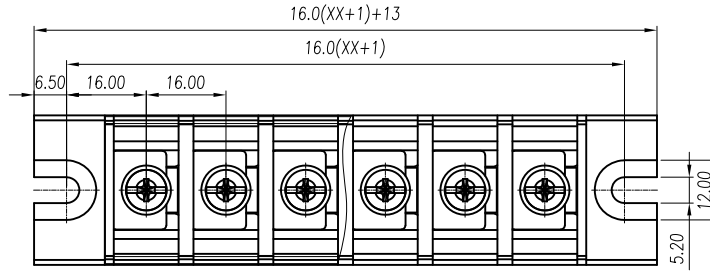
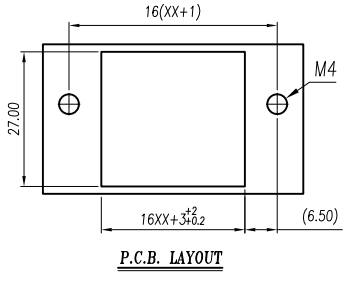




CIXI WANJIE ELECTRONIC CO., LTD

REVISION RECORD

REV.	DESCRIPTION	ECN No.	APPROVED	DATE



Electrical

Standard	UL
Rated voltage	600V
Rated current	65A
Contact resistance	20mΩ
Insulation resistance	1000MΩ/DC500V
Wire range	14~6AWG
Wrth standing voltage	AC 2200V/1 Min

Mechanical

Torque	2.5Nm/25.01b. in
Temp.Range	-40°C~+130°C
MAX Soldering	+250°C, for 5 Sec

Dimensions

Pitch	16mm
Poles	01~15P

Material

Housing	PBT, UL94V-0
Screws	M5 Steel Ni plated
Pin header	Copper alloy Sn plated

linear dimension(Tolerances Standard GB/T 14486-2008)

variable range	to 6	over 6 to 10	over 10 to 30	over 30 to 60	over 60 to 100	over 100 to 160	over 160 to 10	over 10 to 100	over 100 to 100	
tolerance	±0.20	±0.30	±0.50	±0.70	±1.00	±1.30	±1.60	0.10	0.30	0.60

UNITS	mm	SIZE	A4	SCALE	2:3	THIRD ANGLE PROJECTION	REV	V0
							TITLE	WJ10C-16.0-XXP-1YY-00A
							CIXI WANJIE ELECTRONIC CO., LTD	