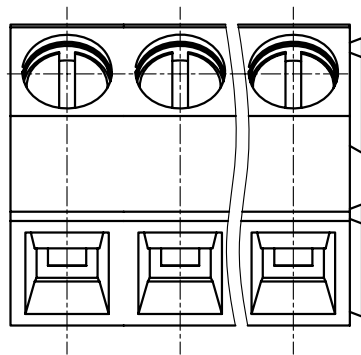
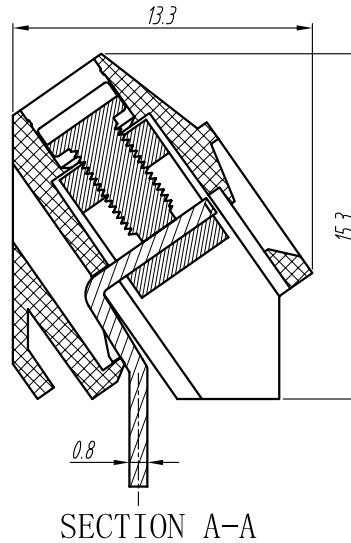
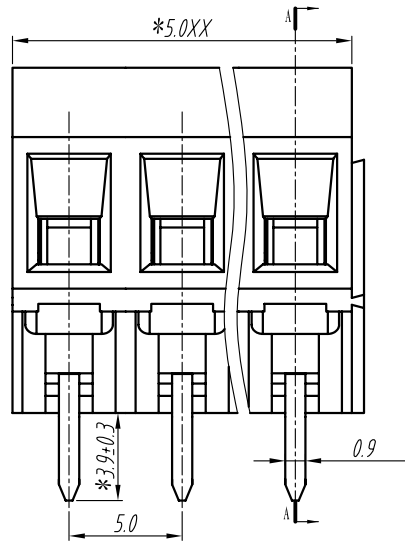


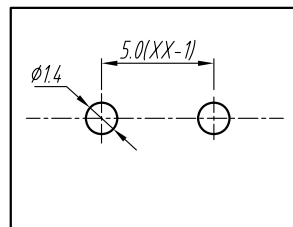


CIXI WANJIE ELECTRONIC CO., LTD

product specification



P.C.B.LAYOUT



Electrical

Standard	UL	IEC
Rated voltage	300V	250V
Rated current	10A	18A
Contact resistance	20mΩ	
Insulation resistance	5000MΩ/DC1000V	
Wire range	24-14A WG 2.5mm ²	
Withstanding voltage	AC 2000V/1 Min	

Mechanical

Temp.Range	-40℃ ~ +105℃
MAX Soldering	+250℃ for 5 Sec
Torque	0.4Nm(3.6lb.in)
Strip length	6-7mm

Dimensions

Pitch	5.0mm 10.0mm
Poles	2p. xxp

Material

Housing	PA66,UL94V-0
Screws	M2.5 steel Zinc plated
Pin housing	Brass, Tin plated
Clamp	Brass, Ni plated

TOLERANCES EXCEPT AS NOTED

	linear dimension				fillet	chamfer	short angle sid				≡	-	□	//	⊥	
	over	over	over	over			over	over	over	over						
variable	6	30	120	480		6	10	50	120							
range	to 6	to 30	to 120	to 480	all	to 6	to 10	to 50	to 120	all	to 5	to 30	to 120			
tolerance	±0.1	±0.2	±0.3	±0.5	±0.2	±0.5	±1	1°	30'	20'	10'	0.5	0.025	0.06	0.12	0.4

UNITS	mm	SIZE	A4	SCALE		FIRST ANGLE PROJECTION	
						NAME	
CIXI WANJIE ELECTRONIC CO., LTD							