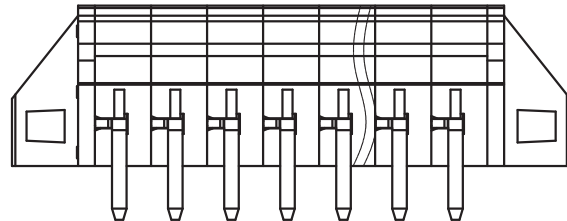
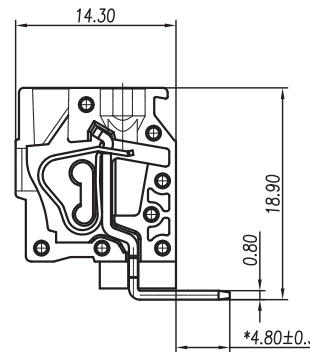
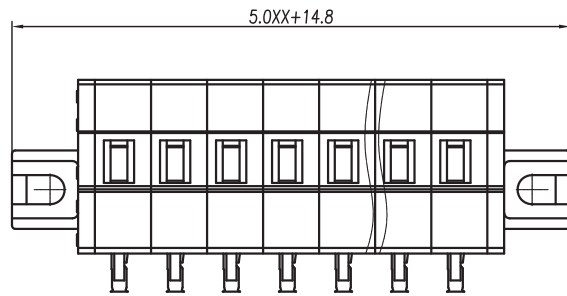
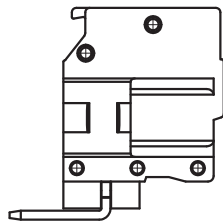
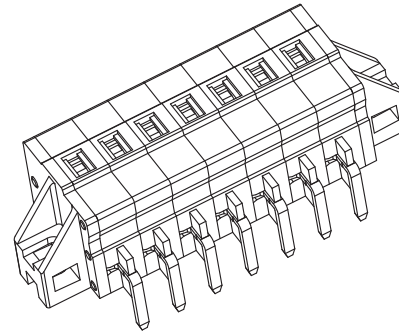
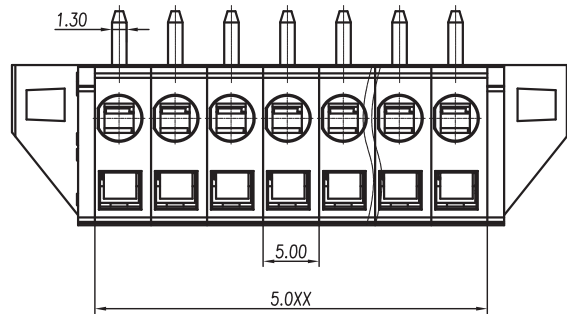




CIXI WANJIE ELECTRONIC CO., LTD

THE SPEC SHEET



Electrical

Standard	UL	IEC
Rated voltage	300V	250V
Rated current	15A	16A
Contact resistance	20mΩ	
Insulation resistance	500MΩ/DC500V	
Wire range	28~12AWG	2.5mm ²
Wrth standing voltage	AC 2000V/1 Min	

Mechanical

Steip Length	8-9mm
Temp.Range	-40°C~+105°C

Dimensions

Pitch	5mm
Poles	2-24p

Material

Housing	PA66, UL94V-0
Wire guard	Stainless steel
Conductor	Red copper, Tin plated

linear dimension(Tolerances Standard GB/T 14486-2008)											≡	—	□	//	⊥	
variable range	to 6	over 6 to 10	over 10 to 18	over 18 to 30	over 30 to 50	over 50 to 80	over 80 to 120	over 120 to 160	over 160 to 200	over 200 to 250	all	to 5	over 5 to 30	over 30 to 120	over 120 to	
tolerance	±0.1	±0.14	±0.19	±0.25	±0.32	±0.43	±0.57	±0.72	±0.88	±1.05	±1.25	0.5	0.025	0.06	0.12	0.4

UNITS	mm	SIZE	A4	SCALE	1.5:1	THIRD ANGLE PROJECTION	
CIXI WANJIE ELECTRONIC CO., LTD						TITLE	WJ0404-04XX-1YY-00A