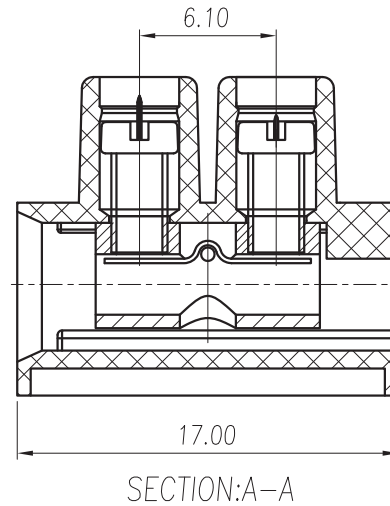
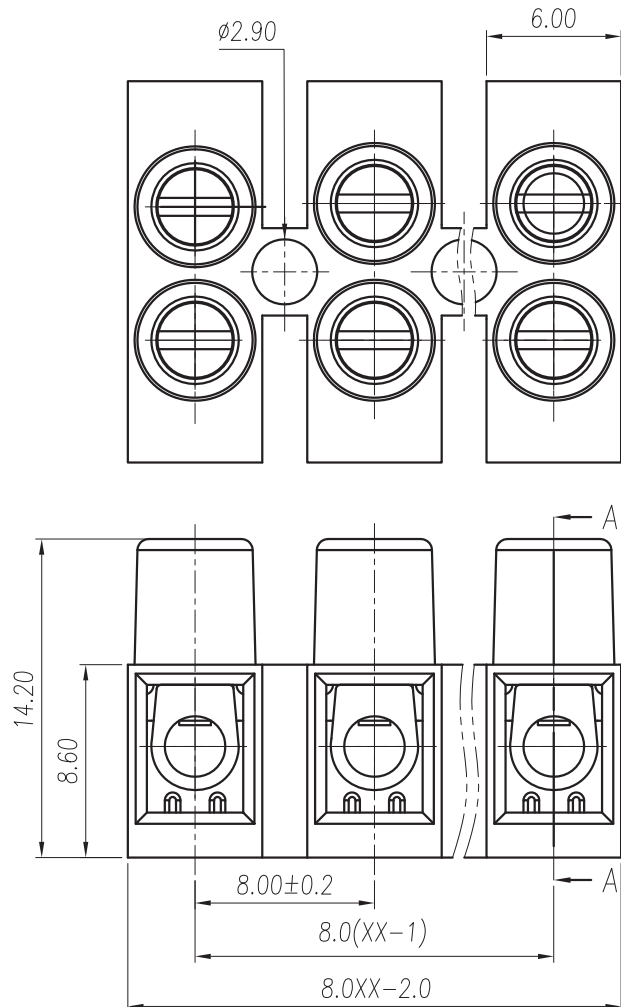


CIXI WANJIE ELECTRONIC CO., LTD

THE SPEC SHEET



Electrical

Standard	UL	IEC
Rated voltage	600V	750V
Rated current	15A	17.5A
Contact resistance	20mΩ	
Insulation resistance	500MΩ/DC500V	
Wire range	22~14AWG	1.5mm ²
Wrth standing voltage	AC 2000V/1 Min	

Mechanical

Torque	0.4Nm(3.6Lb.in)
Temp.Range	-40°C~+105°C
Steip Length	7-8mm

Dimensions

Pitch	8.0mm
Poles	2~12p

Material

Housing	PA66, UL94V-2
Screws	M2.5 Steel, Zn plated
Copper Cylinder	Copper alloy, Ni plated

linear dimension(Tolerances Standard GB/T 14486-2008)												≡	—	□	//	⊥
variable range	to 6	over 6 to 10	over 10 to 18	over 18 to 30	over 30 to 50	over 50 to 80	over 80 to 120	over 120 to 160	over 160 to 200	over 200 to 250	over 250 to all	to 5	over 5 to 30	over 30 to 120	over 120 to 480	
tolerance	±0.1	±0.14	±0.19	±0.25	±0.32	±0.45	±0.57	±0.72	±0.88	±1.05	±1.25	0.5	0.025	0.06	0.12	0.4

UNITS	mm	SIZE	A4	SCALE	3:1	THIRD ANGLE PROJECTION	
CIXI WANJIE ELECTRONIC CO., LTD						TITLE	MY8HW-1.2-8.2-XXP-1YY-00A