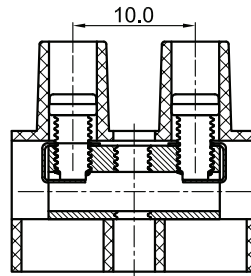
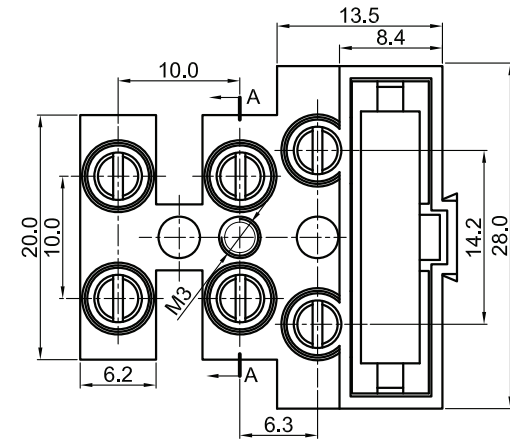


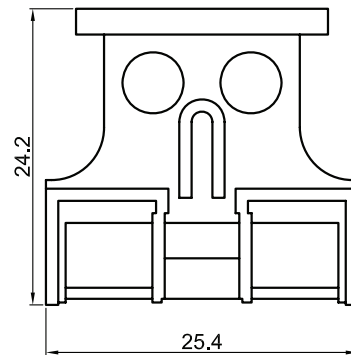
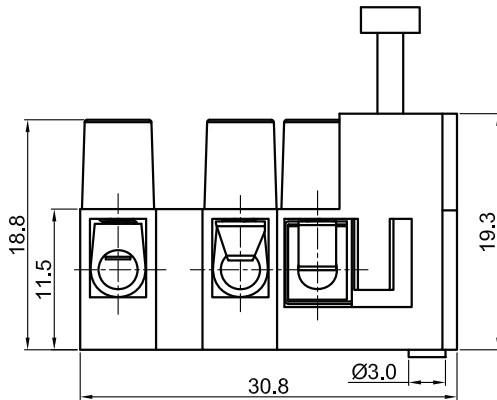


# CIXI WANJIE ELECTRONIC CO., LTD

product specification



SECTION A-A



## Electrical

Standard	UL	IEC
Rated voltage	300V	250V
Rated current	6.3A	6.3A
Contact resistance	20mΩ	
Insulation resistance	5000MΩ/DC1000V	
Wire range	18-14 AWG 2.5mm <sup>2</sup>	
Withstanding voltage	AC 2000V/1 Min	

## Mechanical

Temp.Range	-40 °C ~+105 °C
Torque	0.5Nm(4.5Lb.in)
Strip length :	5-6mm

## Dimensions

Pitch	10.0mm
Poles	2p-3p

## Material

Housing	PA66,UL94V-0
Screws	M3.0 steel ZincPlated
Wire guard	Brass Ni Plated

### TOLERANCES EXCEPT AS NOTED

variable range	linear dimension				fillet	chamfer	∠ short angle sid				≡	-	□	//	⊥	
	to 6	to 30	to 120	to 480			to 6	to 10	to 50	to 120						to 5
tolerance	±0.1	±0.2	±0.3	±0.5	±0.2	±0.5	±1	1°	30'	20'	10'	0.5	0.025	0.06	0.12	0.4

UNITS	mm	SIZE	A4	SCALE	FIRST ANGLE PROJECTION	
CIXI WANJIE ELECTRONIC CO., LTD						
					NAME	MY510