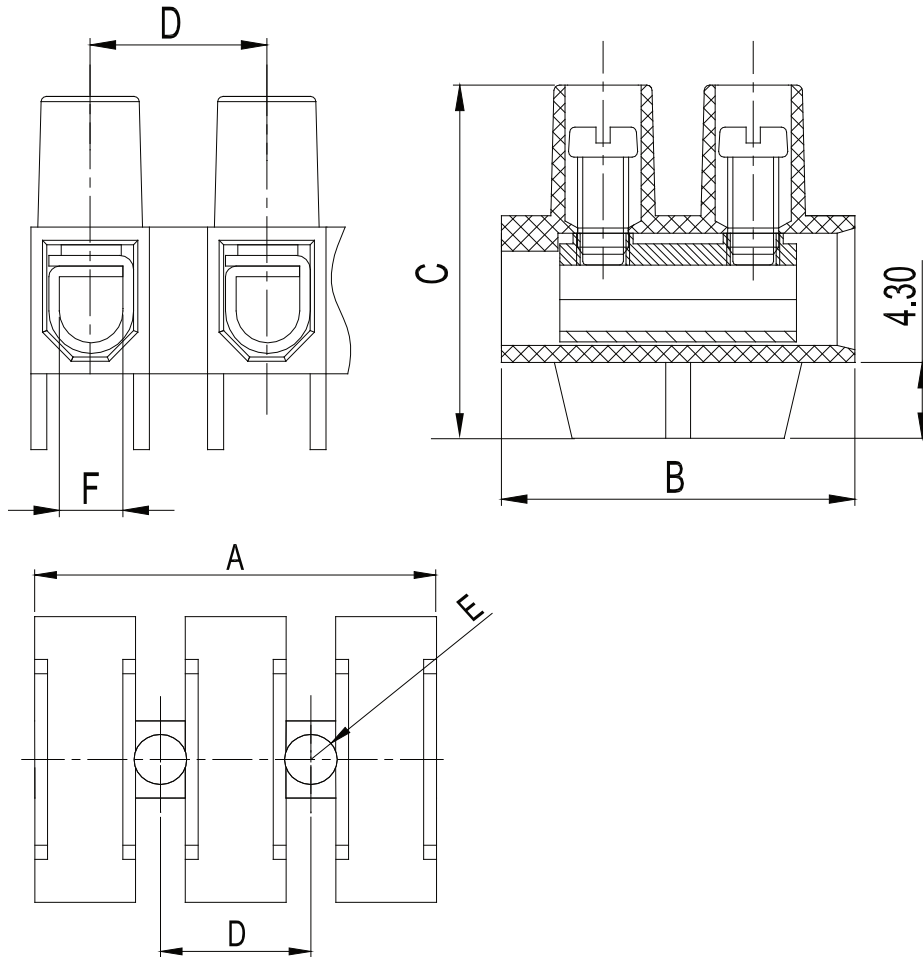




CIXI WANJIE ELECTRONIC CO., LTD

product specification



Model	mm ²	UL		IEC		Screw	Dimensions (mm/in)						
		Amp	Volt	Amp	Volt		Unit	A	B	C	D	E	F
MY8HS-4.3	0.5-4.0	20A	300V	30A	450V	M2.6X5	(mm)	94.20	17.20	17.30	8.00	3.00	2.90*3.40
MY10HS-4.3	1.0-6.0	26A	600V	35A	750V	M3.0X6	(mm)	116.5	20.00	20.00	10.00	3.50	3.45*4.00

Model: MY □ HS+4.3

Base: With 4.3mm elevated base

Screws: Steel Zinc plated

Clamp: Cladded copper strips Zinc plated

Housing material: PA66,UL94V-2

Temp.Range: -40 °C ~+105 °C

Poles Available: 2p-12p

TOLERANCES EXCEPT AS NOTED

variable range	linear dimension				fillet	chamfer	∠ short angle sid			≡	-	□	//	⊥			
	to 6	to 30	to 120	to 480			to 6	to 10	to 50						to 120	to 5	to 30
tolerance	±0.1	±0.2	±0.3	±0.5	±0.9	±0.2	±0.5	±1	1°	30'	20'	10'	0.5	0.025	0.06	0.12	0.4

UNITS	mm	SIZE	A4	SCALE	FIRST ANGLE PROJECTION	
CIXI WANJIE ELECTRONIC CO., LTD						
					NAME	MY8HS-4.3 MY10HS-4.3