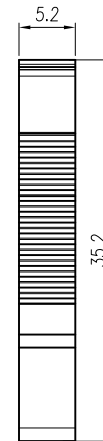
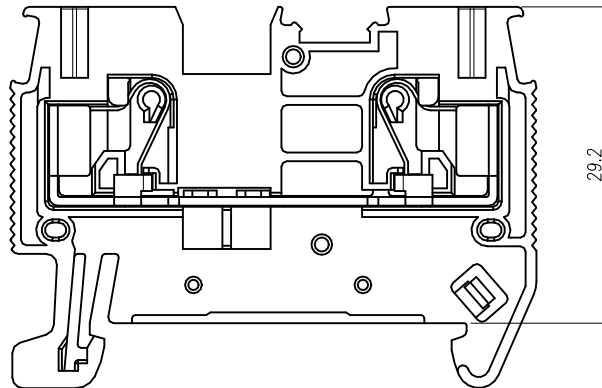
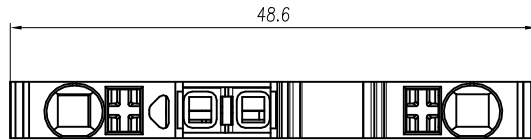




CIXI WANJIE ELECTRONIC CO., LTD

REVISION RECORD

REV.	DESCRIPTION	ECN No.	APPROVED	DATE



UL/CUL		UL1059		
UL/CUL Technical Data				
Use Group		B	C	D
Rated Voltage [V]		600	600	600
Rated Current [A]		20	20	5
Withstanding Voltage		2200V/1Min		
Wire Range		26-12		
Solid/Stranded [AWG]				
IEC		IEC 60947-7-1		
IEC Technical Data		IEC 60947-7-1		
Overtoltage Category		III		
Contamination Class		3		
Rated Voltage [V]		800		
Rated Current [A]		24		
Impulse withstand voltagea [KV]		8		
Conductor cross section				
Solid [mm ²]		0.2-4.0		
flexible [mm ²]		0.2-2.5		
flexible with ferrule [mm ²]		0.2-2.5		
Material				
Insulation Material		PA66		
Imflammability		UL94V-0		
Contact Material		铜合金 Copper alloy		
Contactive Coating		镀锡 Sn Plated		
Other Data				
connection points		2		
Stripping Length [mm]		8-10		
Type of rail		DIN 35		
Screw/ Torque(Max) [N.m]		-		
Operating temperatur [°C]		-40-105		

红色/Red	GUV2.5-102-RD-00A
黑色/Black	GUV2.5-102-BK-00A
黄色/Yellow	GUV2.5-102-YE-00A
绿色/Green	GUV2.5-102-GN-00A
橙色/Orange	GUV2.5-102-OG-00A
蓝色/Blue	GUV2.5-102-BU-00A
灰色/Grey	GUV2.5-102-GY-00A
颜色/Color	订货号 /Order NO.

linear dimension(Tolerances Standard GB/T 14486-2008)										
variable range	to	over 6 to 10	over 10 to 30	over 30 to 60	over 60 to 100	over 100 to 160	to	over 10 to 100	over 100 to	
tolerance	±0.20	±0.30	±0.50	±0.70	±1.00	±1.30	±1.60	0.10	0.30	0.60

/ UNITS	mm	SIZE	A4	SCALE	1:1	THIRD ANGLE PROJECTION	REV	V0
							TITLE GUV2.5-102-XX-00A	