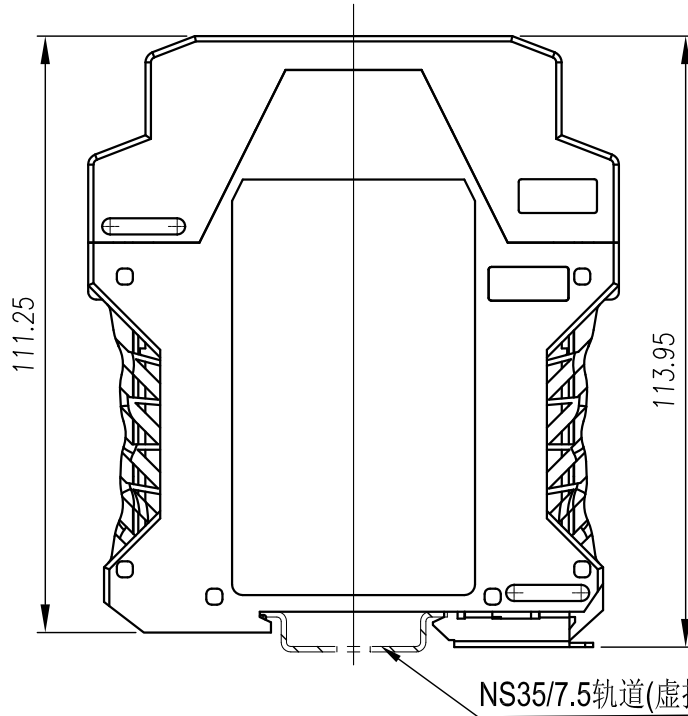
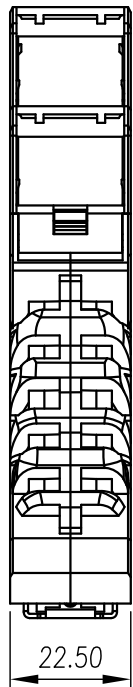
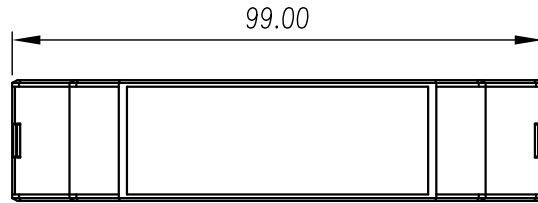




CIXI WANJIE ELECTRONIC CO., LTD

REVISION RECORD

REV.	DESCRIPTION	ECN No.	APPROVED	DATE



Material

Housing	PA66, UL94V-0
Foot catch	Steel Zn plated
Spring	Alloy Steel Ni plated

linear dimension(Tolerances Standard GB/T 14486-2008)

variable range	to 6	over 6 to 10	over 10 to 30	over 30 to 60	over 60 to 100	over 100 to 160	to 10	over 10 to 100	over 100 to	
tolerance	±0.20	±0.30	±0.50	±0.70	±1.00	±1.30	±1.60	0.10	0.30	0.60

UNITS	mm	SIZE	A4	SCALE	1:1	THIRD ANGLE PROJECTION	REV	V0
CIXI WANJIE ELECTRONIC CO., LTD							TITLE FMDT-OTA-04P-YY-00N	