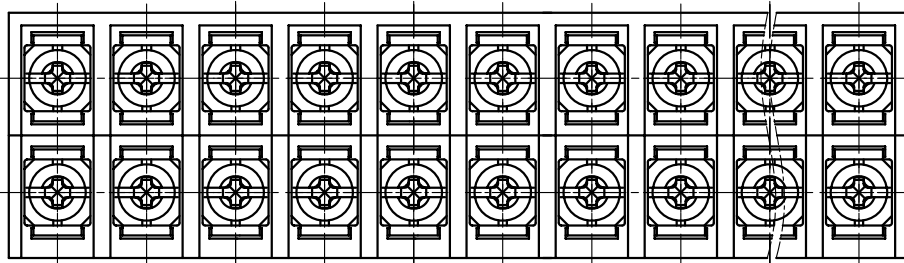
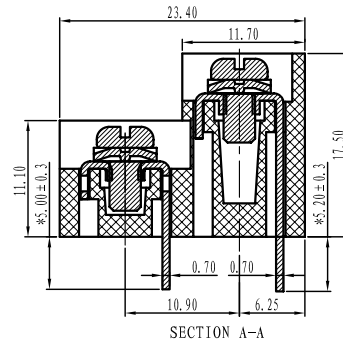
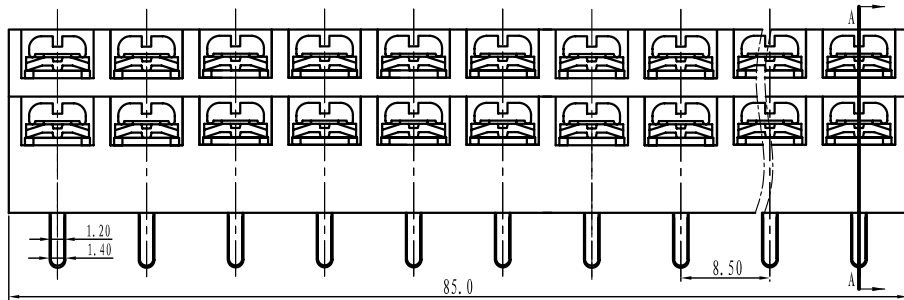




CIXI WANJIE ELECTRONIC CO., LTD

product specification



Electrical

Standard: UL IEC  
 Rated voltage: 300V 450V  
 Rated current: 10A 17.5A  
 Wire range: 22-16AWG 1.5mm<sup>2</sup>  
 Withstanding voltage: AC2000V/1Min  
 Insulation resistance: 500MΩ/DC500V

Mechanical

Temp.Range: -40° C~+105° C  
 Max.Talue:0.5Nm(4.5lb.in)

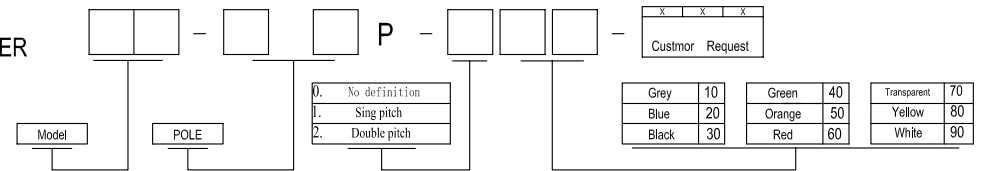
Dimensions

Pitch: 8.50mm  
 Poles: 2P-XXP

Material

Housing: PA66, UL94V-0  
 Screws: M3, steel Ni plated  
 Pin header: Brass, 0.8t, Tin plated

HOW TO ORDER



TOLERANCES EXCEPT AS NOTED

	linear dimension					fillet	chamfer	short angle sid	≡	-	□	//	⊥
variable range	to 6	over 6 to 30	over 30 to 120	over 120 to 480	over 480 to	all	to 6	to 10	to 10	to 5	to 5	to 30	to 120
tolerance	±0.1	±0.2	±0.3	±0.5	±0.9	±0.2	±0.5	±1	1°	30'	20'	10'	0.5

UNITS	mm	SIZE	A4	SCALE	FIRST ANGLE PROJECTION	
CIXI WANJIE ELECTRONIC CO., LTD						
					NAME	2CZ-8500-10P-1YY-00A