



GAIA TECH

Data Sheet

Customer:

Part No:

Sample No:

Description:

Item No:

GT09-4TCE

BUZZER

Customer			
Check	Inspection	Approval	Date



General specification

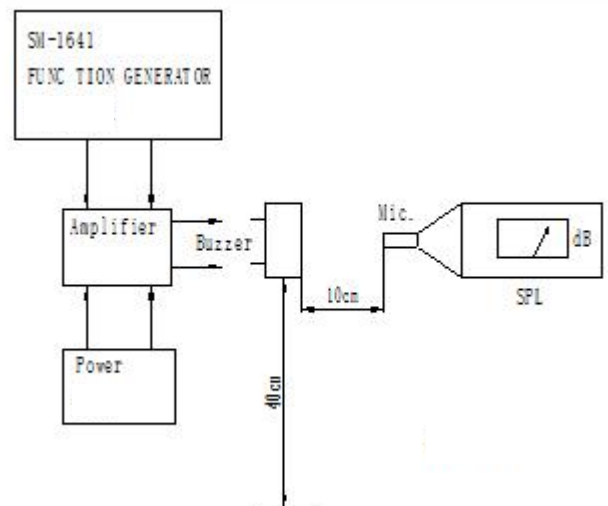
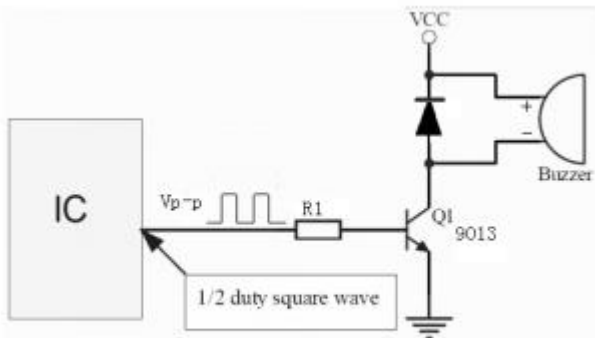
Item		Spec	Condition
1	Rated voltage	5Vo-p	
2	Operation voltage	4-8Vo-p	
3	Sound Pressure Level=SPL	Min 85dB	Standard State,Standard Drive Circuit. Rated voltage,Distance at 0.1m
4	current	Max50mA	
5	Oscillation frequency	2731 ± 300HZ	
6	Coil Resistance	42 ± 5 Ω	
7	Operating Temperature	-20~+70°C	
8	Storage temperature	-30~+80°C	
9	Externals size (mm)	Φ9*H4.2	Refer to the attached drawing
10	Mass	0.8g	
11	Housing Material		

Electrical And Acoustical Measuring Condition

Recommended Driving Circuit Resonant

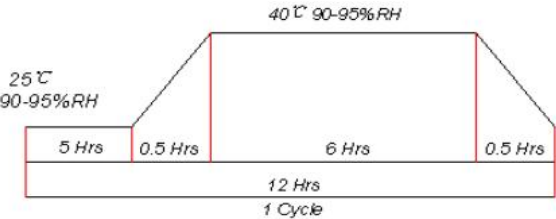
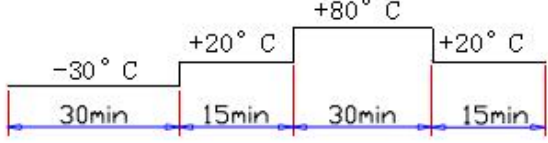
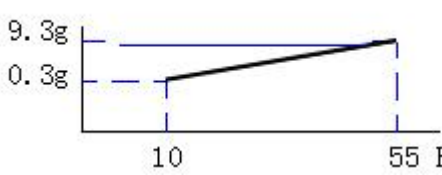
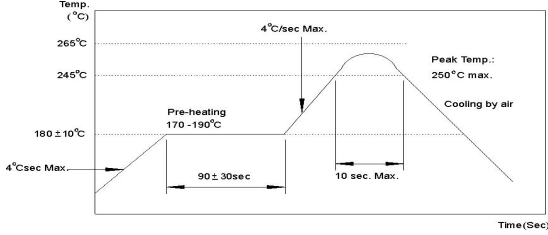
frequency, 1/2 duty cycle. Square wave. Signal amplitude should be large enough to saturate the transistor.

Recommended Setting





Reliability specification

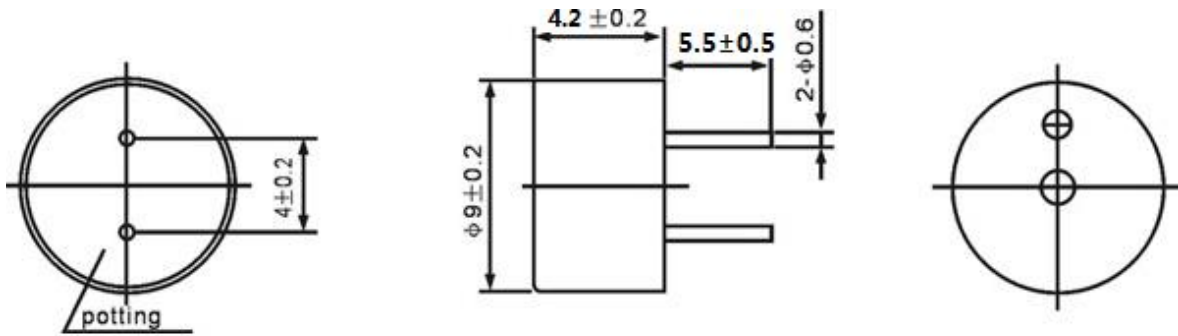
ITEM	TEST	TEST
1	High Temperature Test	After being placed in a chamber with $+80\pm 2^{\circ}\text{C}$ for 96 hours and then being placed in normal condition for 2 hours
2	Low Temperature Test	After being placed in a chamber with $-20\pm 2^{\circ}\text{C}$ for 96 hours and then being placed in normal condition for 2 hours
3	Humidity Test	
4	Temperature Cycle Test	 <p>Make this test for 5 cycle without applying power, then expose to the room temperature for 2 hours</p>
5	Vibration Test	 <p>Amplitude: 1.5mm Time : 1min/axis</p> <p>Make this test for the directions of X, Y, Z for 2 hours each (total 6 hours).</p>
6	Drop Test	Drop on a hard wood board of 40mm thick, any directions, three times, at the height of 70cm
7	Terminal Strength Pulling Test	The force 5 seconds of 1.0kg is applied to each terminal.
8	Solder ability Test	Lead terminals are immersed in rosin for 5 seconds and then immersed in solder bath of $255\pm 5^{\circ}\text{C}$ for 3 ± 0.5 seconds.
9	Soldering Test	



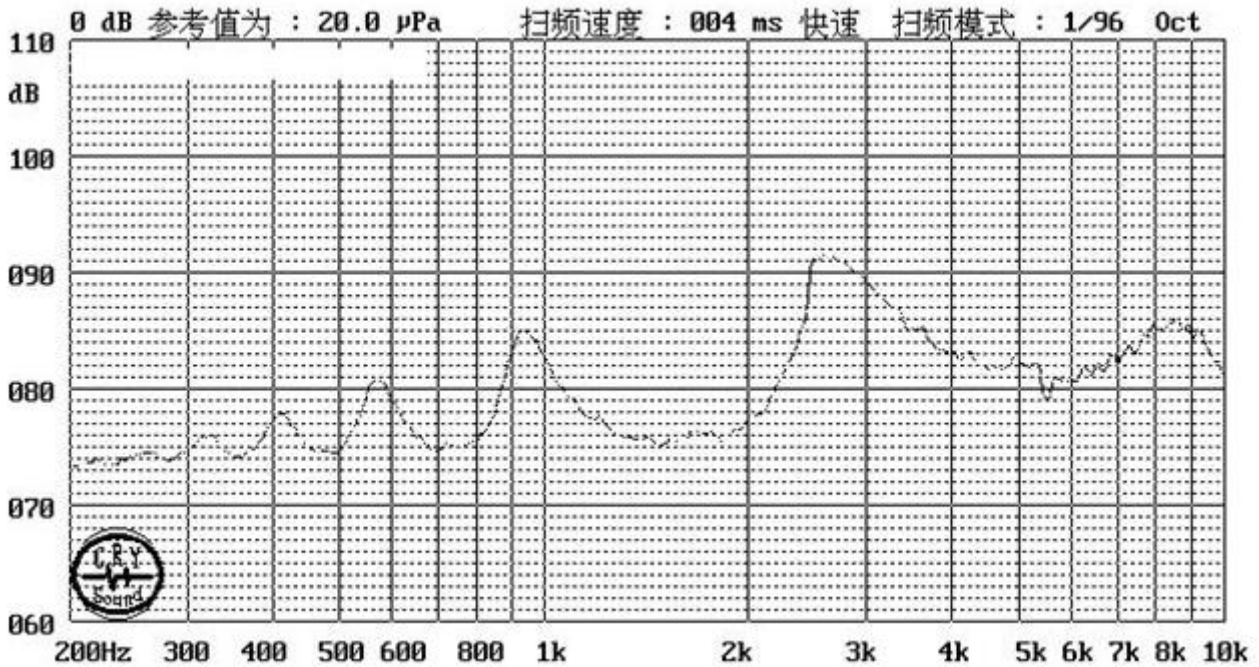
Dimension

(UNT: mm)

Tolerance: $\pm 0.5\text{mm}$ Except Specified



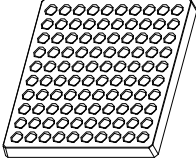
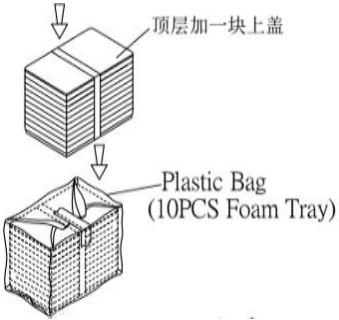
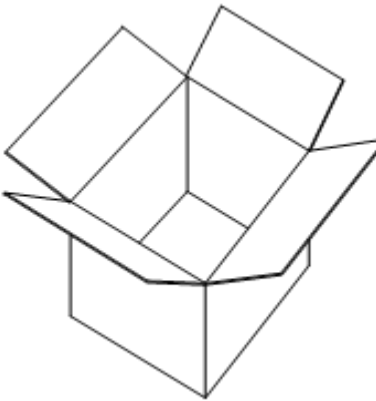
Frequency Curve



5Vo-p 50% duty Square wave, 10cm



Packing Method

Item	Drawing	Qty(pcs.)	Material	Specification (mm)
Packing		100 (10×10)	PE	78×78×20
MiddleBox		1000 (10×100)	Paper	780×780×110
OuterBox		10000 (10 × 1000)	Paper	500×420×270