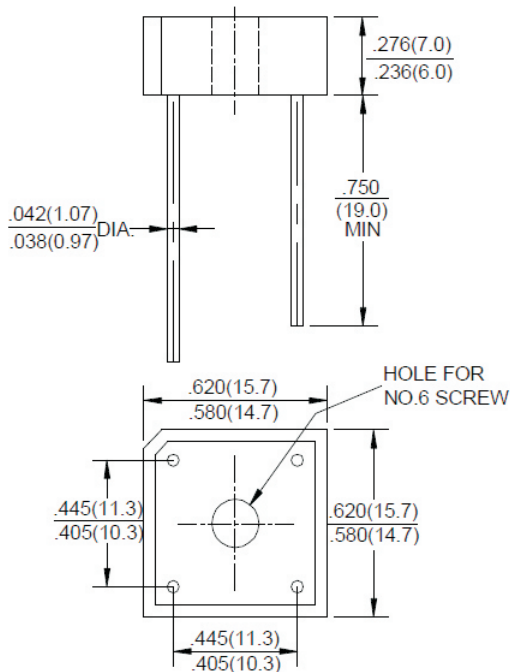


桥式整流器
BRIDGE RECTIFIERS

KBPC6005 THRU KBPC610



Unit: inch(mm)

特征 FEATURES

- * Plastic package has Underwriters Laboratory Flammability Classification 94V-0
- * High surge current capability

机械数据 MECHANICAL DATA

Case: Molded plastic body
 Terminals: plated leads solderable per MIL-STD-750, Method 2026
 Mounting position: Any
 Mounting Torque: 5in.-lb.max.

极限值和电参数 TA=25°C 除非另有规定

Maximum Ratings & Electrical Characteristics Ratings at 25°C ambient temperature unless otherwise specified

	SYMBOLS	KBPC 6005	KBPC 601	KBPC 602	KBPC 604	KBPC 606	KBPC 608	KBPC 610	UNITS
最大可重复峰值反向电压 Maximum recurrent peak reverse voltage	VRRM	50	100	200	400	600	800	1000	Volts
最大均方根电压 Maximum rms Input voltage	VRMS	35	70	140	280	420	560	700	Volts
最大直流阻断电压 Maximum dc blocking voltage	VDC	50	100	200	400	600	800	1000	Volts
最大正向平均整流电流 Maximum average forward output rectified TA=50°C	I(AV)	6.0							Amps
正向峰值浪涌电流 8.3ms 单一正弦半波 Peak forward surge current 8.3ms single half sine-wave	IFSM	150							Amps
最大正向电压降 Maximum forward voltage @IF=12.5A	VF	1.1							Volts
最大反向漏电流 Maximum reverse voltage TA=25°C TA=100°C	IR	10 500							μ A
工作温度和存储温度 Operating and storage temperature range	TJ,TSTG	-55 to +150							°C



RATING AND CHARACTERISTIC CURVES (TA=25°C UNLESS OTHERWISE NOTED)

KBPC6005 THRU KBPC610

Fig. 1 Derating Curve for Output Rectified Current

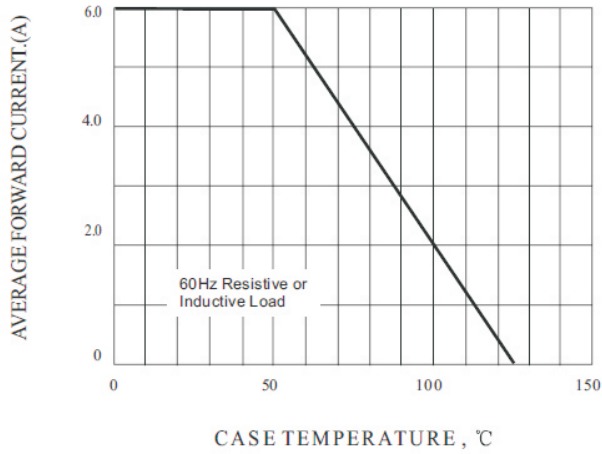


FIG.2 MAXIMUM NON-REPETITIVE PEAK FORWARD SURGE CURRENT

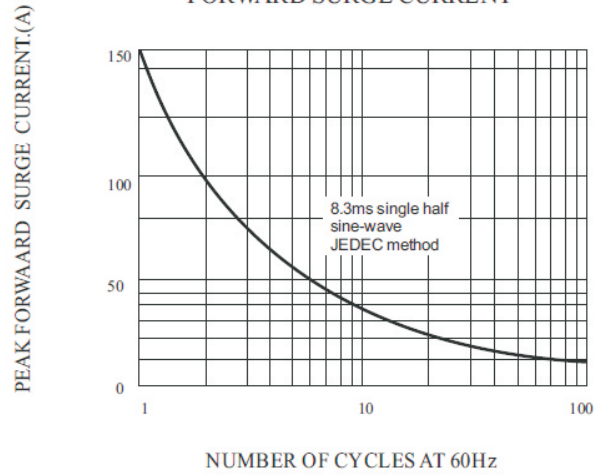


FIG.3 TYPICAL INSTANTANEOUS FORWARD CHARACTERISTICS

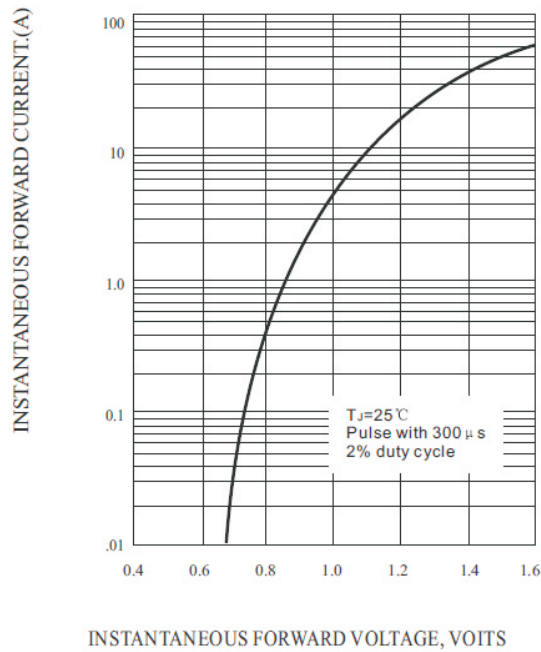


FIG.4-TYPICAL FEVERSE CHARACTERISTICS AT TJ=25°C

