

Features

22 mm Programmable Multicolor RGB Flush Mount Indicator with Independent Momentary or Latching Touch Button Output



- Programmable using Banner Pro Editor software and Pro Converter Cable; Pro Editor compatibility applies to all S22 Pro Touch Button models
- Resistance to false triggering by water spray, detergents, oils, and other foreign materials
- Rugged, cost-effective, and easy-to-install multicolor indicator with touch button
- Waterproof IP69K per ISO 20653 construction for washdown environments
- Up to 7 independent colors in one unit
- 22 mm threaded polycarbonate base
- Ergonomically designed to eliminate hand, wrist, and arm stresses associated with repeated switch operation; require no physical force to operate
- Can be actuated with bare hands or gloves
- 10 V DC to 30 V DC operation
- Terminal connection models available for panel wiring applications
- Bimodal inputs and outputs (PNP/NPN), depending on source wiring

WARNING:



- Do not use this device for personnel protection
- Using this device for personnel protection could result in serious injury or death.
- This device does not include the self-checking redundant circuitry necessary to allow its use in personnel safety applications. A device failure or malfunction can cause either an energized (on) or de-energized (off) output condition.

Models

RGB7 Multicolor Models - Model Key

Family	Output State	Output Function	Activation Method	Material	Color ⁽¹⁾	Connection ⁽²⁾
S22	A	M	T	S	RGB7	QP
	A = Normally Open R = Normally Closed	M = Momentary L = Latching	T = Touch	S = Standard F = FDA-grade	RGB7 = RGB Multicolor	Blank = 2 m (6.5 ft) unterminated 6-wire PVC-jacketed cable QP = 150 mm (6 in) PVC-jacketed cable with an 8-pin M12 male quick-disconnect connector

Three inputs activate seven colors. Touch changes output state.

GRY3 Multicolor Models - Model Key

Family	Output State	Output Function	Activation Method	Material	Color ⁽³⁾	Connection ⁽²⁾
S22	A	M	T	S	GRY3	Q
	A = Normally Open R = Normally Closed	M = Momentary L = Latching	T = Touch	S = Standard F = FDA-grade	GRY3 = Programmable Multicolor (3-color, 5-pin)	Blank = 2 m (6.5 ft) unterminated 5-wire PVC-jacketed cable Q = Integral 5-pin M12 male quick-disconnect connector QP = 150 mm (6 in) PVC-jacketed cable with a 5-pin M12 male quick-disconnect connector T = 5-screw terminal

Two inputs activate three colors. Touch changes output state.

One- or Two-Color/Function Models - Model Key

Family	Output State	Output Function	Activation Method	Material	Color 1/Job	Color 2/Sense	Function	Connection ⁽²⁾
S22	A	M	T	S	G	R	H	Q

Continued on page 2

⁽¹⁾ Green, Red, Yellow, Blue, White, Cyan, Magenta.

⁽²⁾ Models with a quick-disconnect connector require a mating cordset.

⁽³⁾ Green, Red, Yellow.



Continued from page 1

Family	Output State	Output Function	Activation Method	Material	Color 1/Job	Color 2/Sense	Function	Connection ⁽²⁾
	A = Normally Open R = Normally Closed	M = Momentary L = Latching	T = Touch	S = Standard F = FDA-grade	G = Green R = Red Y = Yellow B = Blue W = White X = Not Used		H = Illuminated Buttons C = Pick-to-Light ⁽⁴⁾ E = Pick-to-Light ⁽⁴⁾ D = Pick-to-Light ⁽⁴⁾	Blank = 2 m (6.5 ft) unterminated 5-wire PVC-jacketed cable Q = Integral 5-pin M12 male quick-disconnect connector QP = 150 mm (6 in) PVC-jacketed cable with a 5-pin M12 male quick-disconnect connector T = 5-screw terminal

H Logic: Power activates Color 1. Touch changes output state and activates Color 2. Latch and momentary options.

C Logic: Input activates Color 1. Touch activates Color 2 and Output.

E Logic: Input activates Color 1. Touch activates Output. Touch with inactive input activates Color 2.

D Logic: Input activates Color 1. Touch activates Output.

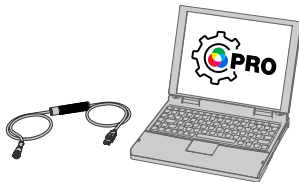
One-, Two-, or Three-Color/Function Models - Model Key

Family	Output State	Output Function	Activation Method	Material	Color 1/Job	Color 2/Mispick	Color 3/Sense	Function	Connection ⁽²⁾
S22	A	M	T	S	G	R	Y	C3	Q
	A = Normally Open R = Normally Closed	M = Momentary L = Latching	T = Touch	S = Standard F = FDA-grade	G = Green R = Red Y = Yellow B = Blue W = White X = Not Used			C3 = Specialty Pick-to-Light C4 = Specialty Pick-to-Light	Blank = 2 m (6.5 ft) unterminated 5-wire PVC-jacketed cable Q = Integral 5-pin M12 male quick-disconnect connector QP = 150 mm (6 in) PVC-jacketed cable with a 5-pin M12 male quick-disconnect connector T = 5-screw terminal

C3 Logic: Input activates Color 1. Touch with active input activates Color 3 and Output. Touch with inactive input activates Color 2 and Output. 500 ms leading edge off-delay.

C4 Logic: Input activates Color 1. Touch with active input activates Color 3 and Output. Touch with inactive input activates Color 2 and Output for 5 seconds. 500 ms leading edge off-delay.

Pro Editor

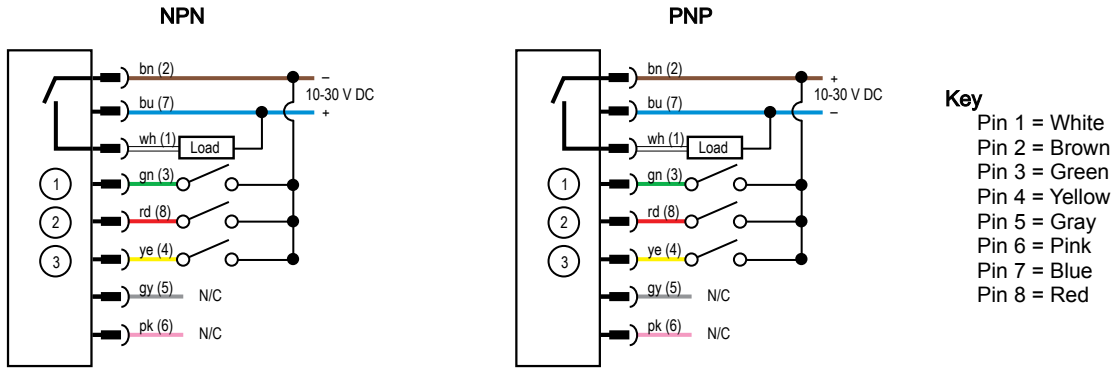


Use Banner's Pro Editor software and Pro Converter Cable to create custom configurations by selecting different colors, flash patterns, and animations. For more information visit www.bannerengineering.com/proeditor.

⁽⁴⁾ Latching output function not available.

Wiring

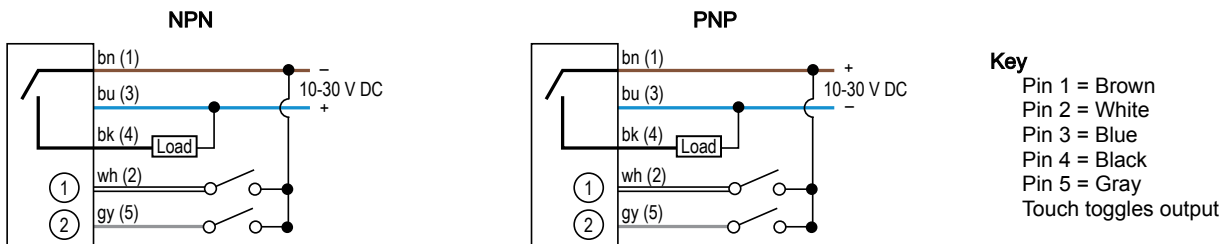
RGB Multicolor Models



RGB Multicolor Color/Function Definition

	Red	Yellow	Green	Cyan	Blue	Magenta	White
Input 1	X	X				X	X
Input 2		X	X	X			X
Input 3				X	X	X	X

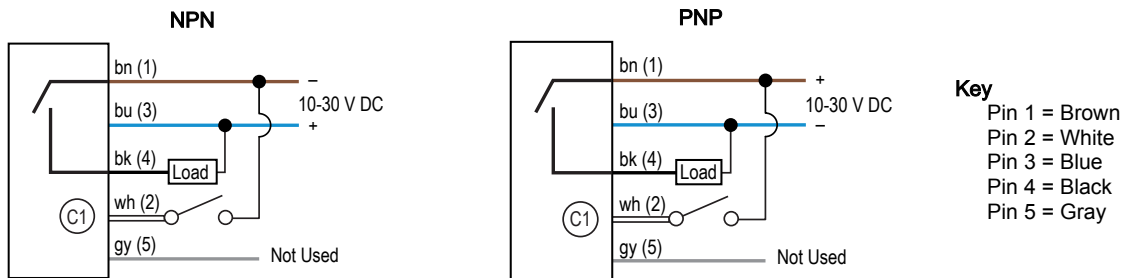
GRY3 Multicolor Models



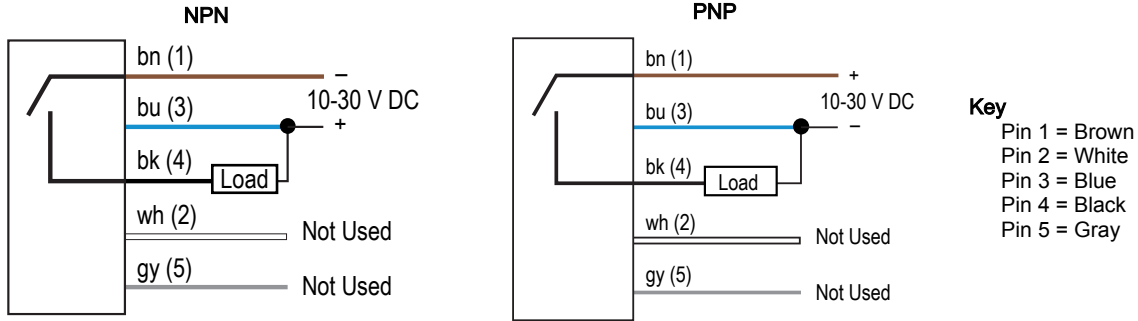
GRY3 Multicolor Color/Function Definition

	Green	Yellow	Red
Input 1	X	X	
Input 2		X	X

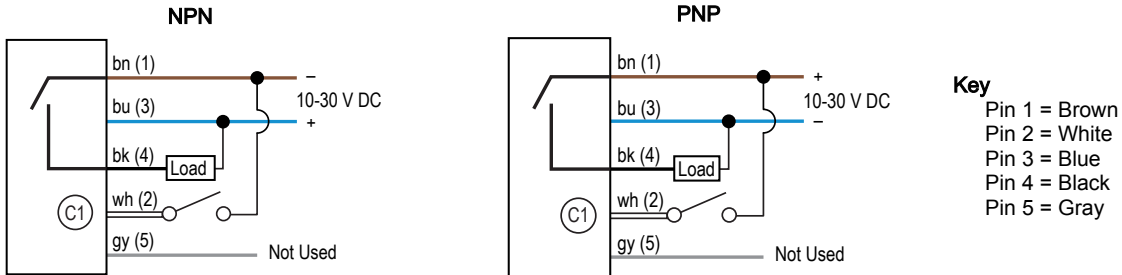
One- or Two-Color/Function; C, D, and E Logic Models



One- or Two-Color/Function; H Logic Models



One-, Two-, or Three-Color/Function; C3 & C4 Logic Models



Cabled wiring diagrams are shown. Quick disconnect wiring diagrams are functionally identical.

Specifications

Supply Voltage

10 V DC to 30 V DC

Supply Current

80 mA maximum current at 10 V DC (exclusive of load)
 70 mA maximum current at 12 V DC (exclusive of load)
 45 mA maximum current at 24 V DC (exclusive of load)
 40 mA maximum current at 30 V DC (exclusive of load)

Supply Protection Circuitry

Protected against reverse polarity and transient voltages

Output Rating

Maximum Load: 150 mA
ON-state saturation voltage: < 2 V DC at 10 mA; < 2.5 V DC at 150 mA
OFF-state leakage current: < 10 µA at 30 V DC

Leakage Current Immunity

400 µA

Response Time

Power-Up Delay: 250 milliseconds maximum
Input Response: 20 milliseconds maximum
Output Response: 300 milliseconds maximum

Touch Dwell Time

If touch dwells for longer than 60 seconds, the output will revert back to the untouched state.

Connections

Integral 5-pin or 8-pin M12 male quick-disconnect connector, 2 m (6.5 ft) integral PVC-jacketed cable, or 150 mm (6 in) PVC-jacketed cable with a 5-pin or 8-pin M12 male quick-disconnect connector, depending on model

Models with a quick-disconnect connector require a mating cordset

Mounting

M22 by 1.5 threaded base, maximum torque 2.25 N·m (20 inch-lbf)

Default Indicator Characteristics

Color	Dominant Wavelength (nm) or Color Temperature (CCT)	Color Coordinates ⁽⁵⁾		Lumen Output (Typical at 25 °C)
		x	y	
Green	527	0.178	0.7	0.175
Red	625	0.699	0.297	0.075
Yellow	572	0.438	0.5	0.25
Blue	465	0.141	0.056	0.025
White	5700K	0.328	0.337	0.24
Cyan	492	0.192	0.336	0.195
Magenta	–	0.354	0.149	0.095
Amber	585	0.52	0.434	0.165
Rose	–	0.506	0.213	0.085
Lime Green	557	0.35	0.564	0.21
Sky Blue	485	0.167	0.24	0.165
Orange	597	0.594	0.379	0.13
Violet	424	0.184	0.085	0.045
Spring Green	507	0.167	0.517	0.18

Construction

Standard Model Base, Dome, and Nut: Polycarbonate

FDA Model Base, Dome, and Nut: FDA-grade copolyester

⁽⁵⁾ Refer to the CIE 1930 (x,y) Chromaticity Diagram, to show equivalent color with indicated color coordinates.

Vibration and Mechanical Shock

Meets IEC 60068-2-6 requirements (Vibration: 10 Hz to 55 Hz, 1.0 mm amplitude, 5 minutes sweep, 30 minutes dwell)

Meets IEC 60068-2-27 requirements (Shock: 30G 11 ms duration, half sine wave)

Operating Conditions

–40 °C to +50 °C (–40 °F to +122 °F)

90% at +50 °C maximum relative humidity (non-condensing)

Storage Temperature: –40 °C to +70 °C (–40 °F to +158 °F)

Environmental Rating

Standard Models: IP66, IP67, IP69K per ISO 20653


Cabled models also meet IP69K per ISO 20653 if the cable and cable entrance are protected from high-pressure spray

Indicator side of terminal models meet IP69K per ISO 20653 when installed in an enclosure

Screw connection points meet IP00

FDA Models: IP66, IP67, and IP69K per ISO 20653

Certifications

 Banner Engineering BV
 Park Lane, Culliganlaan 2F bus 3
 1831 Diegem, BELGIUM



Pro Editor Configuration

Connection to Pro Editor software enables control of:

- **Animation:** Steady, Flash, Two Color Flash, Intensity Sweep, Demo
- **Color:** Green, Red, Yellow, Blue, White, Cyan, Magenta, Amber, Rose, Lime Green, Orange, Sky Blue, Violet, Spring Green
- **Intensity:** Low, Medium, High
- **Speed:** Slow, Standard, Fast
- **Output State:** Normally Open, Normally Closed, Momentary, Latching, On Delay, Off Delay
- **Logic Type:** Three State Advanced Control (F2 Mode), Seven State Advanced Control (F2 Mode), Four State Full Logic (Custom)

Pro Converter Cable required to interface between PC and indicator, see accessories

Required Overcurrent Protection



WARNING: Electrical connections must be made by qualified personnel in accordance with local and national electrical codes and regulations.

Overcurrent protection is required to be provided by end product application per the supplied table. Overcurrent protection may be provided with external fusing or via Current Limiting, Class 2 Power Supply. Supply wiring leads < 24 AWG shall not be spliced.

For additional product support, go to www.bannerengineering.com.

Supply Wiring (AWG)	Required Overcurrent Protection (A)	Supply Wiring (AWG)	Required Overcurrent Protection (A)
20	5.0	26	1.0
22	3.0	28	0.8
24	2.0	30	0.5

FCC Part 15 Class B for Unintentional Radiators

(Part 15.105(b)) This equipment has been tested and found to comply with the limits for a Class B digital device, pursuant to part 15 of the FCC Rules. These limits are designed to provide reasonable protection against harmful interference in a residential installation. This equipment generates, uses, and can radiate radio frequency energy and, if not installed and used in accordance with the instructions, may cause harmful interference to radio communications. However, there is no guarantee that interference will not occur in a particular installation. If this equipment does cause harmful interference to radio or television reception, which can be determined by turning the equipment off and on, the user is encouraged to try to correct the interference by one or more of the following measures:

- Reorient or relocate the receiving antenna.
- Increase the separation between the equipment and receiver.
- Connect the equipment into an outlet on a circuit different from that to which the receiver is connected.
- Consult the dealer or an experienced radio/TV technician for help.

(Part 15.21) Any changes or modifications not expressly approved by the party responsible for compliance could void the user's authority to operate this equipment.

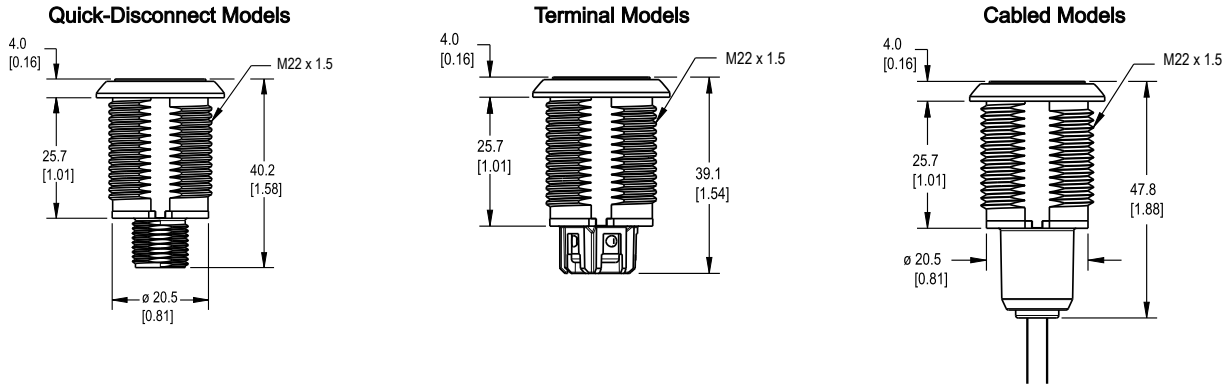
Industry Canada ICES-003(B)

This device complies with CAN ICES-3 (B)/NMB-3(B). Operation is subject to the following two conditions: 1) This device may not cause harmful interference; and 2) This device must accept any interference received, including interference that may cause undesired operation.

Cet appareil est conforme à la norme NMB-3(B). Le fonctionnement est soumis aux deux conditions suivantes : (1) ce dispositif ne peut pas occasionner d'interférences, et (2) il doit tolérer toute interférence, y compris celles susceptibles de provoquer un fonctionnement non souhaité du dispositif.

Dimensions

All measurements are listed in millimeters [inches], unless noted otherwise. The measurements provided are subject to change.

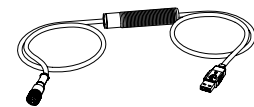


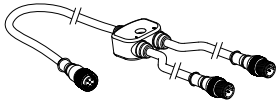
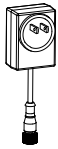
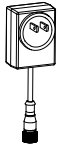
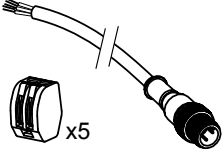

Accessories

Pro Editor Hardware

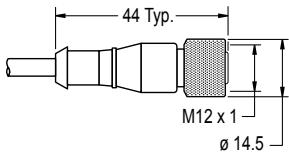
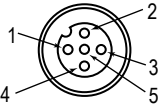

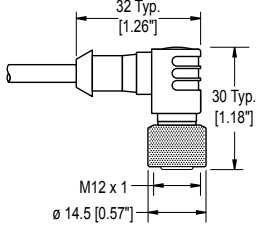
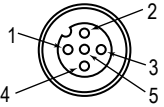

MQDC-506-USB

- Pro Converter Cable
- 1.83 m (6 ft) length 5-pin M12 quick disconnect to Device and USB to PC
- Required for connection to the configuration software



<p>CSB-M1251FM1251M</p> <ul style="list-style-type: none"> • 5-pin parallel Y splitter (Male-Male-Female) • For full Pro Editor preview capability • Requires external power supply, sold separately 	
<p>PSW-24-1</p> <ul style="list-style-type: none"> • 24 V DC, 1 A power supply • 2 m (6.5 ft) PVC cable with M12 quick disconnect • Provides external power with splitter cable, sold separately 	
<p>PSW-24-2</p> <ul style="list-style-type: none"> • 24 V DC, 2 A power supply • 3.5 m (11.5 ft) PVC cable with M12 quick disconnect • Provides external power with splitter cable, sold separately 	
<p>ACC-PRO-CABLE5</p> <ul style="list-style-type: none"> • Mating accessory for cabled and terminal models • 150 mm (6 inch) PVC cable with M12 quick disconnect • Lever wire nuts included (qty 5) • Required to connect cabled models and screw terminal models to Pro Converter Cable, sold separately 	
<p>MQDC-801-5M-PRO</p> <ul style="list-style-type: none"> • 8-pin to 5-pin double-ended cordset • 0.31 m (1 ft) PVC cable with M12 quick disconnects • Required to connect 8-pin Pro Series-enabled devices to Pro Converter Cable (MQDC-506-USB), sold separately 	

Cordsets

5-Pin Single-Ended M12 Female Cordsets				
Model	Length	Style	Dimensions	Pinout (Female)
MQDC1-501.5	0.5 m (1.5 ft)	Straight		 <p>1 = Brown 2 = White 3 = Blue 4 = Black 5 = Gray</p> 
MQDC1-503	0.9 m (2.9 ft)			
MQDC1-506	2 m (6.5 ft)			
MQDC1-515	5 m (16.4 ft)			
MQDC1-530	9 m (29.5 ft)			
MQDC1-560	18 m (59 ft)			
MQDC1-5100	31 m (101.7 ft)			
MQDC1-506RA	2 m (6.5 ft)	Right-Angle		 <p>1 = Brown 2 = White 3 = Blue 4 = Black 5 = Gray</p> 
MQDC1-515RA	5 m (16.4 ft)			
MQDC1-530RA	9 m (29.5 ft)			
MQDC1-560RA	19 m (62.3 ft)			

5-Pin Single-Ended M12 Female Stainless Steel Washdown Cordsets				
Model	Length	Style	Dimensions	Pinout (Female)
MQDC-WDSS-0506	2 m (6.56 ft)	Straight		<p>1 = Brown 2 = White 3 = Blue 4 = Black 5 = Gray</p>
MQDC-WDSS-0515	5 m (16.4 ft)			
MQDC-WDSS-0530	9 m (29.5 ft)			

8-Pin Single-Ended M12 Female Open-Shielded Cordsets				
Model	Length	Style	Dimensions	Pinout (Female)
MQDC2S-806	2.04 m (6.7 ft)	Straight		<p>1 = White 2 = Brown 3 = Green 4 = Yellow 5 = Gray 6 = Pink 7 = Blue 8 = Red</p>
MQDC2S-815	5.04 m (16.54 ft)			
MQDC2S-830	10.04 m (32.95 ft)			
MQDC2S-850	16 m (52.49 ft)	Right-Angle		<p>1 = White 2 = Brown 3 = Green 4 = Yellow 5 = Gray 6 = Pink 7 = Blue 8 = Red</p>
MQDC2S-806RA	2 m (6.56 ft)			
MQDC2S-815RA	5 m (16.4 ft)			
MQDC2S-830RA	10 m (32.81 ft)			
MQDC2S-850RA	16 m (52.49 ft)			

8-Pin Single-Ended M12 Female Open-Shielded, Washdown, Stainless Steel Cordsets				
Model	Length	Style	Dimensions	Pinout (Female)
MQDC-WDSS-0806	2 m (6.56 ft)	Straight		<p>1 = White 2 = Brown 3 = Green 4 = Yellow 5 = Gray 6 = Pink 7 = Blue 8 = Red</p>
MQDC-WDSS-0815	5 m (16.4 ft)			
MQDC-WDSS-0830	9 m (29.53 ft)			

Brackets

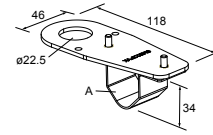
All measurements are listed in millimeters, unless noted otherwise. The measurements provided are subject to change.

<p>SMB22A</p> <ul style="list-style-type: none"> • Right-angle bracket with curved slot for versatile orientation • 12-ga. stainless steel • Mounting hole for 22 mm sensor <p>Hole center spacing: A to B = 26.0 Hole size: A = \varnothing 4.6, B = 4.6 x 16.9, C = 22.2</p>	
---	--

SMB22FVK

- V-clamp, flat bracket and fasteners for mounting to pipe or extensions
- Clamp accommodates 28 mm diameter tubing or 1 in. square extrusions
- 22 mm hole for mounting sensor

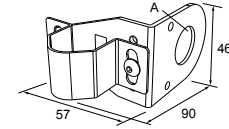
Hole size: A = \varnothing 22.5



SMB22RAVK

- V-clamp, right-angle bracket and fasteners for mounting to pipe or extensions
- Clamp accommodates 28 mm diameter tubing or 1 in. square extrusions
- 22 mm hole for mounting sensor

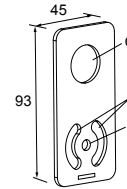
Hole size: A = \varnothing 22.5



SMBAMS22P

- Flat SMBAMS series bracket with 22 mm hole for mounting sensors
- Articulation slots for 90+° rotation
- 12-ga. (2.6 mm) cold-rolled steel

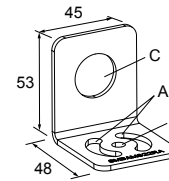
Hole center spacing: A = 26.0, A to B = 13.0
Hole size: A = 26.8 x 7.0, B = \varnothing 6.5, C = \varnothing 22.5



SMBAMS22RA

- Right-angle SMBAMS series bracket with 22 mm hole for mounting sensors
- Articulation slots for 90+° rotation
- 12-ga. (2.6 mm) cold-rolled steel

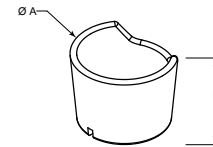
Hole center spacing: A = 26.0, A to B = 13.0
Hole size: A = 26.8 x 7.0, B = \varnothing 6.5, C = \varnothing 22.5



TC-K30-CL

- Touch cover

Diameter: A = 40.7 mm
Height: B = 31 mm



Banner Engineering Corp Limited Warranty

Banner Engineering Corp. warrants its products to be free from defects in material and workmanship for one year following the date of shipment. Banner Engineering Corp. will repair or replace, free of charge, any product of its manufacture which, at the time it is returned to the factory, is found to have been defective during the warranty period. This warranty does not cover damage or liability for misuse, abuse, or the improper application or installation of the Banner product.

THIS LIMITED WARRANTY IS EXCLUSIVE AND IN LIEU OF ALL OTHER WARRANTIES WHETHER EXPRESS OR IMPLIED (INCLUDING, WITHOUT LIMITATION, ANY WARRANTY OF MERCHANTABILITY OR FITNESS FOR A PARTICULAR PURPOSE), AND WHETHER ARISING UNDER COURSE OF PERFORMANCE, COURSE OF DEALING OR TRADE USAGE.

This Warranty is exclusive and limited to repair or, at the discretion of Banner Engineering Corp., replacement. **IN NO EVENT SHALL BANNER ENGINEERING CORP. BE LIABLE TO BUYER OR ANY OTHER PERSON OR ENTITY FOR ANY EXTRA COSTS, EXPENSES, LOSSES, LOSS OF PROFITS, OR ANY INCIDENTAL, CONSEQUENTIAL OR SPECIAL DAMAGES RESULTING FROM ANY PRODUCT DEFECT OR FROM THE USE OR INABILITY TO USE THE PRODUCT, WHETHER ARISING IN CONTRACT OR WARRANTY, STATUTE, TORT, STRICT LIABILITY, NEGLIGENCE, OR OTHERWISE.**

Banner Engineering Corp. reserves the right to change, modify or improve the design of the product without assuming any obligations or liabilities relating to any product previously manufactured by Banner Engineering Corp. Any misuse, abuse, or improper application or installation of this product or use of the product for personal protection applications when the product is identified as not intended for such purposes will void the product warranty. Any modifications to this product without prior express approval by Banner Engineering Corp will void the product warranties. All specifications published in this document are subject to change; Banner reserves the right to modify product specifications or update documentation at any time. Specifications and product information in English supersede that which is provided in any other language. For the most recent version of any documentation, refer to: www.bannerengineering.com.

For patent information, see www.bannerengineering.com/patents.