

ME 22,5 OT-MSTBO GN - Upper housing part



2907169

<https://www.phoenixcontact.com/us/products/2907169>

Please be informed that the data shown in this PDF document is generated from our online catalog. Please find the complete data in the user documentation. Our general terms of use for downloads are valid.

DIN rail housing, Upper housing part for connectors with header, width: 22.6 mm, height: 99 mm, depth: 45.85 mm, color: green (similar RAL 6021)



Your advantages

- Tool-free mounting
- Available in overall widths from 12.5 mm ... 90 mm, modular extension is possible
- Flammability rating V0 in accordance with UL 94
- Variety of connection technology
- Can be mounted on the DIN rail
- With integrated or DIN-rail-mountable bus connector as an option

Commercial data

| | |
|--------------------------------------|---------------|
| Item number | 2907169 |
| Packing unit | 10 pc |
| Minimum order quantity | 10 pc |
| Sales key | AC08 |
| Product key | ACHAAD |
| GTIN | 4017918126650 |
| Weight per piece (including packing) | 14.3 g |
| Weight per piece (excluding packing) | 10.93 g |
| Customs tariff number | 85389099 |
| Country of origin | DE |

ME 22,5 OT-MSTBO GN - Upper housing part

2907169

<https://www.phoenixcontact.com/us/products/2907169>

Technical data

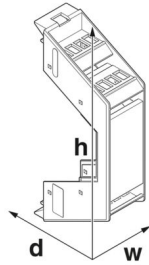
Notes

| | |
|---------------|---|
| Assembly note | Please observe the application note in the download area. |
|---------------|---|

Product properties

| | |
|------------------------------|------------------------------|
| Product type | Upper housing part |
| Housing type | DIN rail housing |
| Housing series | ME |
| Product family | ME 22,5.. |
| Number of positions | 16 |
| Max. number of positions | 20 (pitch: 3.5 mm) |
| | 16 (pitch: 5 mm) |
| | 12 (pitch: 7.25 mm) |
| Set comprises | 2907444 ME 22,5 OT-MSTBO SET |
| Number of rows | 2 |
| Number (Connection openings) | 4 |
| Ventilation openings present | no |

Dimensions

| | |
|---------------------------------|--|
| Dimensional drawing |  |
| Width | 22.6 mm |
| Height | 99 mm |
| Depth | 45.85 mm |
| Depth from base support surface | 38.5 mm |

PCB design

| | |
|---------------|-------------------|
| PCB thickness | 1.4 mm ... 1.8 mm |
|---------------|-------------------|

Material specifications

| | |
|--|------------------|
| Color (Upper housing part) | green (RAL 6021) |
| Material Upper housing part | PA |
| Flammability rating according to UL 94 | V0 |
| CTI according to IEC 60112 | 600 |
| Surface characteristics | untreated |

Environmental and real-life conditions

ME 22,5 OT-MSTBO GN - Upper housing part



2907169

<https://www.phoenixcontact.com/us/products/2907169>

Vibration test

| | |
|------------------------|-----------------------------|
| Specification | IEC 60068-2-6:2007-12 |
| Frequency | 10 - 150 - 10 Hz |
| Sweep speed | 1 octave/min |
| Amplitude | 0.15 mm (10 Hz ... 58.1 Hz) |
| Acceleration | 2g (58.1 Hz ... 150 Hz) |
| Test duration per axis | 2.5 h |
| Test directions | X-, Y- and Z-axis |

Glow-wire test

| | |
|------------------|------------------------|
| Specification | IEC 60695-2-11:2014-02 |
| Temperature | 850 °C |
| Time of exposure | 30 s |

Thermal stability / ball thrust test

| | |
|---------------|------------------------|
| Specification | IEC 60695-10-2:2014-02 |
| Temperature | 125 °C |
| Test duration | 1 h |
| Force | 20 N |

Mechanical strength / tumbling barrel

| | |
|----------------|---------------------|
| Specification | IEC 60998-1:2002-12 |
| Height of fall | 50 cm |
| Frequency | 10 |

Shocks

| | |
|--------------------------------|-----------------------------------|
| Specification | IEC 60068-2-27:2008-02 |
| Pulse shape | Half-sine |
| Acceleration | 15g |
| Shock duration | 11 ms |
| Number of shocks per direction | 3 |
| Test directions | X-, Y- and Z-axis (pos. and neg.) |

Degree of protection (IP code)

| | |
|---------------|---|
| Specification | IEC 60529:1989-11 + AMD 1:1999-11 + AMD 2:2013-08 |
|---------------|---|

Ambient conditions

| | |
|---|--|
| Max. IP code to attain | IP20 |
| Ambient temperature (operation) | -40 °C ... 105 °C (depending on power dissipation) |
| Ambient temperature (storage/transport) | -40 °C ... 55 °C |
| Ambient temperature (assembly) | -5 °C ... 100 °C |
| Relative humidity (storage/transport) | 80 % |

PCB data

| | |
|-----------------------|------|
| Number of PCB holders | 1 |
| Type of PCB mount | Slot |

ME 22,5 OT-MSTBO GN - Upper housing part



2907169

<https://www.phoenixcontact.com/us/products/2907169>

| | |
|----------------------|-------------------|
| Thickness of the PCB | 1.4 mm ... 1.8 mm |
|----------------------|-------------------|

Mounting

| | |
|---------------|----------------------------------|
| Mounting type | Latching with lower housing part |
|---------------|----------------------------------|

Packaging specifications

| | |
|----------------------|---------------------|
| Type of packaging | packed in cardboard |
| Outer packaging type | Carton |

ME 22,5 OT-MSTBO GN - Upper housing part

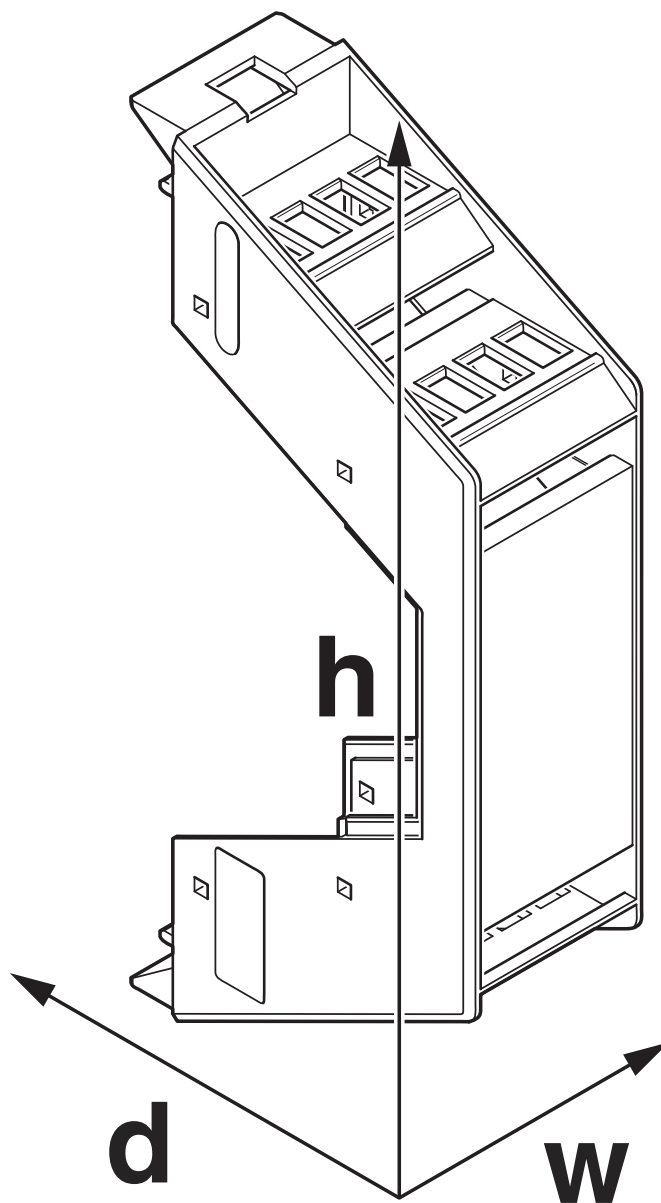
2907169

<https://www.phoenixcontact.com/us/products/2907169>



Drawings

Dimensional drawing



Schematic figure for illustrating the item dimensions. The figure is not of the desired product. For further details, refer to the product drawings in the "Downloads" tab.

ME 22,5 OT-MSTBO GN - Upper housing part



2907169

<https://www.phoenixcontact.com/us/products/2907169>

Approvals

To download certificates, visit the product detail page: <https://www.phoenixcontact.com/us/products/2907169>



UL Recognized

Approval ID: E240868

ME 22,5 OT-MSTBO GN - Upper housing part



2907169

<https://www.phoenixcontact.com/us/products/2907169>

Classifications

ECLASS

| | |
|-------------|----------|
| ECLASS-13.0 | 27190603 |
| ECLASS-15.0 | 27190603 |

ETIM

| | |
|----------|----------|
| ETIM 9.0 | EC002779 |
|----------|----------|

UNSPSC

| | |
|-------------|----------|
| UNSPSC 21.0 | 31261500 |
|-------------|----------|

ME 22,5 OT-MSTBO GN - Upper housing part



2907169

<https://www.phoenixcontact.com/us/products/2907169>

Environmental product compliance

EU RoHS

| | |
|---|--------------------|
| Fulfills EU RoHS substance requirements | Yes, No exemptions |
|---|--------------------|

China RoHS

| | |
|--|--|
| Environment friendly use period (EFUP) | EFUP-E |
| | No hazardous substances above the limits |

EU REACH SVHC

| | |
|-------------------------------------|----------------------------|
| REACH candidate substance (CAS No.) | No substance above 0.1 wt% |
|-------------------------------------|----------------------------|

Phoenix Contact 2025 © - all rights reserved
<https://www.phoenixcontact.com>

Phoenix Contact USA
586 Fulling Mill Road
Middletown, PA 17057, United States
(+717) 944-1300
info@phoenixcon.com