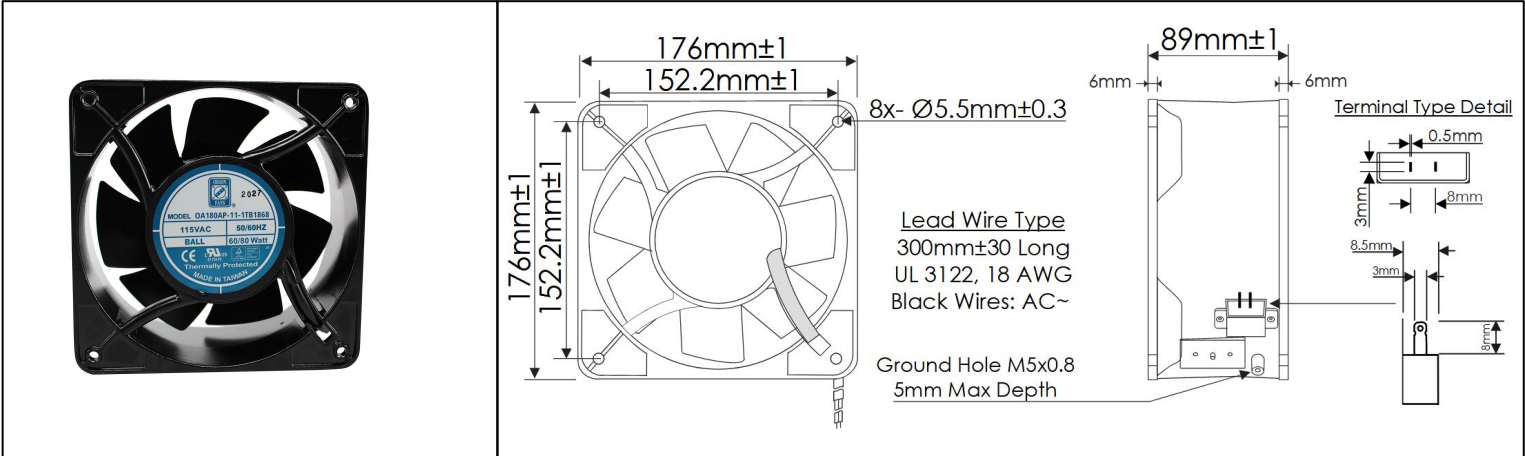


OA180AP IP Rated All Metal Series



AC Fans - 115, 230V
176mm x 89mm (7.1" x 3.5")



Frame	Die Cast Aluminum, Black Finish	Operating Temperature -30°C ~ +80°C Storage Temperature -40°C ~ +100°C Life Expectancy 50,000 Hours (L10 at 55°C) Available Options Tach and Alarm Outputs Other IP Ratings Connectors Custom Wire Lead Length Weight: 4.08 lbs.	
Impeller	Steel, 7 Blades		
Connection	Lead Wires, 18 AWG, or Terminals		
Motor	AC, Capacitor Induction, Single Phase, Thermally Protected, IP68 or IP69K		
Bearing System	Ball Bearings		
Dielectric Strength	1500VAC/min, <5mA		
Insulation Resistance	≥10MΩ @ 500V DC		

Part Number	Rated Voltage (Volts AC)	Voltage Range (Volts AC)	Frequency (Hertz)	Input Power (Watts)	Rated Speed (RPM)	Max Airflow (CFM)	Noise Level (dBA)	Max Static Pressure (\"H ₂ O)
OA180AP-11-1*B18***	115	100 ~ 130	50 / 60	60 / 80	2725 / 3250	325 / 380	63	0.67 / 0.76
OA180AP-22-1*B18***	230	200 ~ 240	50 / 60	60 / 80	2725 / 3250	325 / 380	63	0.67 / 0.76

*Insert "T" for Terminal power connection type, or "W" for Lead Wire power connection type.

*** Insert "68" for IP68 Rating, or "69K" for IP69K Rating.