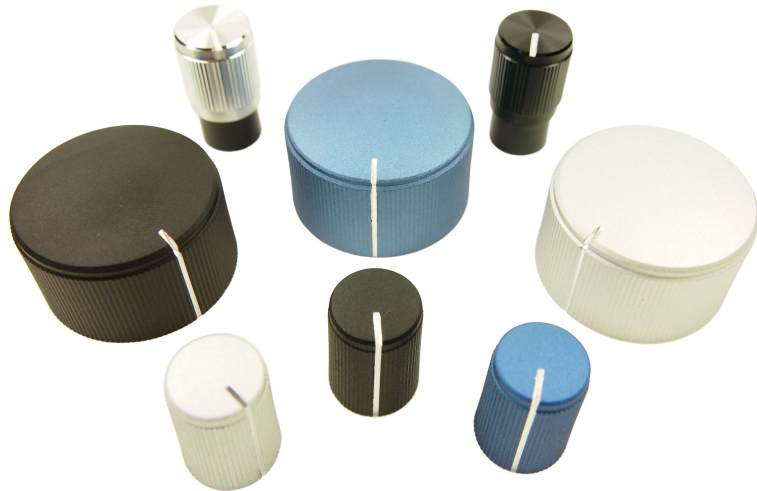
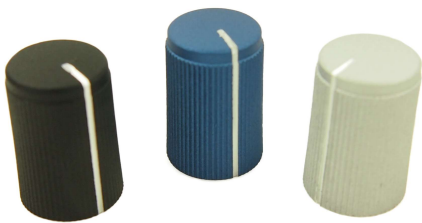


CLIFF

KNURLED ALUMINIUM SHELL KNOBS



Knobs for professional equipment - comprising machined aluminium shell on moulded plastic inner. Push on fixing.



KMK10

6mm Splined shaft

FC7248 - Silver Anodised

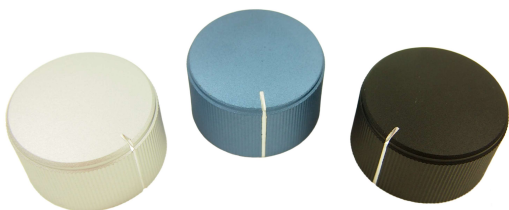
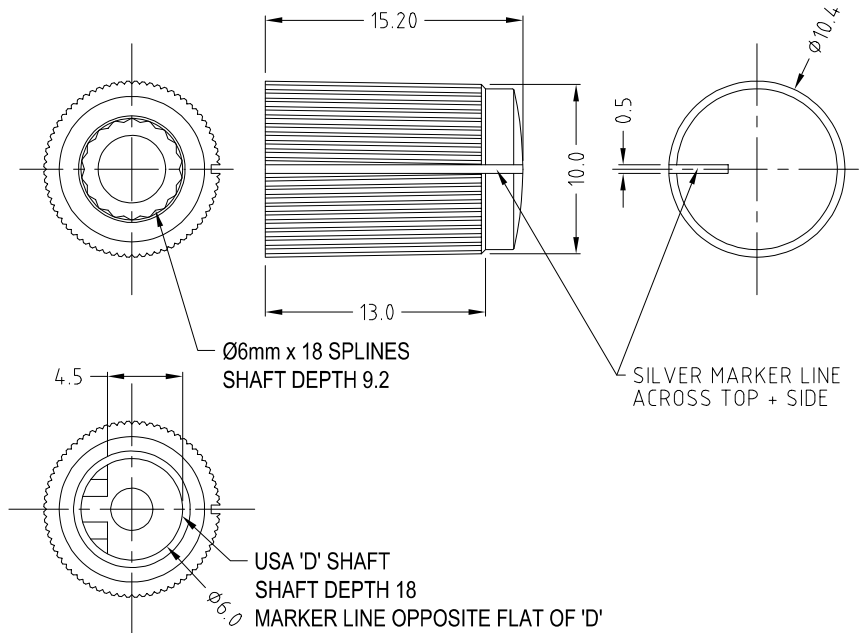
FC7249 - Black Anodised

FC7249L - Blue Anodised

6mm USA 'D' shaft

FC7250 - Silver Anodised

FC7251 - Black Anodised

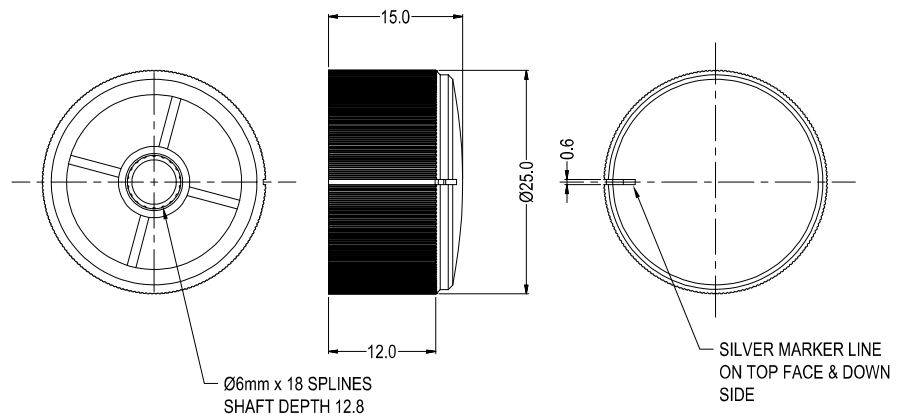


KMK25

6mm Splined shaft

FC7252 - Silver Anodised

FC7253 - Black Anodised





KNURLED ALUMINIUM SHELL KNOBS



KMK10E

6mm Splined shaft

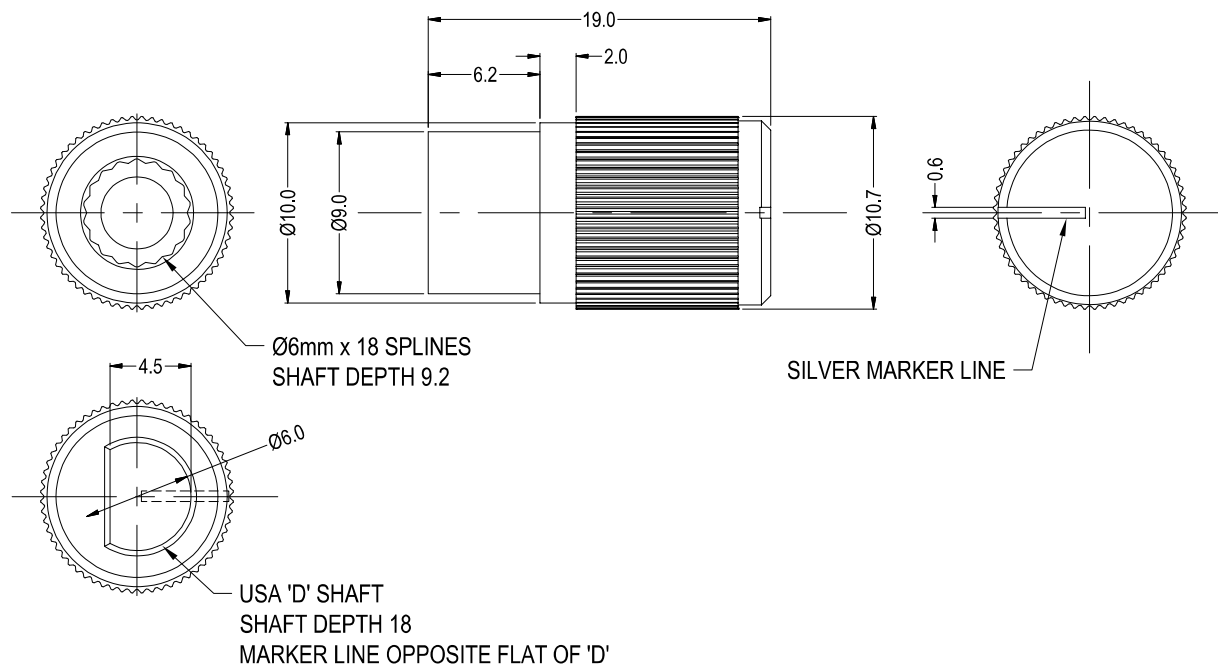
FC7257 - Black Anodised

FC7257L - Blue Anodised

6mm USA 'D' shaft

FC7258 - Silver Anodised

FC7259 - Black Anodised



Other anodised colours available, subject to quantity.

For further information, contact sales@cliffuk.co.uk

Cliff Electronic Components Limited,
76 Holmethorpe Avenue, Holmethorpe Ind. Estate,
Redhill, Surrey RH1 2PF U.K.
Tel: +44 (0)1737 771375 Fax: +44 (0)1737 766012

www.cliffuk.co.uk

