

HEX WASHER CAP HARDWARE RIVETS
Window Bolts EYE Spiral WRAP LED MOUNT CAPACITOR ANCHOR BLIND
INSTALLATION EZ twist lock supports TIES 2 PC.
Tools Wire Routing RATCHETING
DUMMY • Universal and Metric Nuts threaded ROD CAT #41 BOLTS Grommet
Plastic FASTENERS RATCHET STD. EZ STRAIN RELIEF Lamp Snap Cable Clip
LOCKING HOLE PLUGS BUSHINGS Miniature



100° Flat PRESS-LOCK thumb screw BINDER PAN PHILLIPS screws
SHUTTER PINS Releasable Adhesive Backed SPIN Fuel line
WIRE Cord XMAS TREE STACKABLE SNAP-IN STANDOFF P.C.B. SUPPORT
Split Loom CABLE Hose ANCHOR Rivets METRIC NUTS
CLAMPS HEX Wing DOME Thumb

microplastics.com

threaded NYLON fasteners LOCKING DECO Hex Jam
Round Standoffs ANCHOR
SPACERS TWO PIECE RIVETS WIRE/CABLE HOLDER
Male/Female Standoff WIRING WASHERS SHOULDER PLASTICS TIES
CONNECTOR PUSH ARROW CLIPS PUSH-IN FASTENERS DOWELS
ASSORTMENT KITS EZ TWIST LOCKS

washers



supports



clamps



screws



clips



micro plastics,® inc.

www.microplastics.com • 800.466.1467 • mpsales@microplastics.com

MAIN FACILITY: 111 Industry LN • Flippin, AR 72634

NEW FACILITY: 2262 LaCrosse RD • Melbourne, AR 72556

Quality, Competitiveness, Consistency... For over 5 Decades

TABLE OF CONTENTS

PREFIX	Table of Contents	Page 3
PREFIX	Pictorial Index	3-14
SEC I	Press-Loc Thumb Screw Knobs	15-18
SEC II	Screws, Bolts & Threaded Rod	19-50
SEC III	Universal Nuts	51-59
SEC IV	Washers, Shoulder Washers & Screw Insulators.	60-100
SEC V	Spacers.	101-131
SEC VI	Panel Fasteners & Hole Plugs	132-170
SEC VII	Wire Handling Hardware & Accessories	171-223
SEC VIII	Circuit Board Hardware	224-241
SEC IX	Hose Clamps & Installation Tools	242-245
SEC X	Miscellaneous Products	246-252
SEC XI	Fastener Assortment Kits.	253-258
SEC XII	Metric Screws, Bolts & Threaded Rod.	259-272
SEC XIII	Metric Nuts.	272-275
SEC XIV	Metric Washers & Screw Insulators.	276-278
SEC XV	Metric Spacers.	279-281
SEC XVI	Metric Panel Fasteners and Hole Plugs	282-283
SEC XVII	Metric Wire Handling Hardware.	283
SEC XVIII	Metric Circuit Board Hardware	284
SEC XIX	Metric Fastener Assortment Kits.	285
SEC XX	Plastic Material Information TEST DATA, TOLERANCES, PRINCIPAL PROPERTIES CHARTS.	286-292
SEC XX	Company Information TERMS, MINIMUM ORDER, LINE CHARGE.	293
SEC XXI	Alphabetical Index	294

PREFIX

PICTORIAL INDEX

PREFIX



PAGE 16



PAGE 18



PAGE 15



PAGE 16



PAGE 17



PAGE 98



PAGE 98



PAGE 276

PICTORIAL INDEX

PREFIX



PAGE 25



PAGES 24, 265



PAGE 20



PAGES 21, 267



PAGES 22,260



PAGES 23,261



PAGES 39,263



PAGES 37,38,269



PAGES 32,33,35



PAGES 32,33



PAGES 29, 270



PAGE 48



PAGE 31



PAGES 30,271



PAGE 31



PAGE 49



PAGES 28,266



PAGE 46



PAGE 36



PAGE 36

PICTORIAL INDEX

PREFIX



THREADED STUDS

PAGE 41



SET SOCKET

PAGE 27



SET SLOTTED

PAGE 26



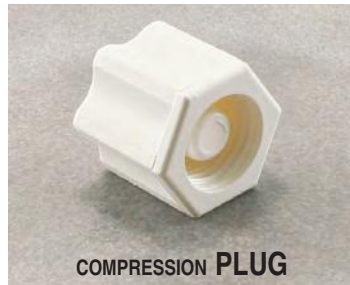
GRUB SLOTTED

PAGES 44, 270



**SQUARE ADHESIVE BASED
THREADED STUDS**

PAGE 41



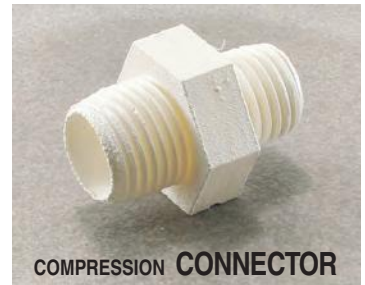
COMPRESSION PLUG

PAGE 50



COMPRESSION NUT

PAGE 50



COMPRESSION CONNECTOR

PAGE 50



THREADED ROD - Nylon and NEW PVC

PAGES 40, 272



SPECIAL PHILLIPS PAN

PAGE 45



TOILET SEAT NUT & BOLT

PAGE 49



CHEESE SLOTTED

PAGE 259



FLAT, OVAL, PAN PHILLIPS

PAGES 42,45,262,264,268



METAL CORE

PAGE 19



EYE BOLTS

PAGE 47



POLYCARBONATE

PAGES 37,42,43



FLANGE NUTS

PAGES 54, 274



HEX PIPE PLUG

PAGE 47



HEX JAM NUTS

PAGE 55

PICTORIAL INDEX

PREFIX



HEX NUTS

PAGES 56, 272-273



CAP NUTS

PAGES 51,273



LOCK NUTS

PAGES 57,273



CLEAR DECORATIVE WING NUT

PAGE 58



WING NUTS

PAGES 58,275



DECO WING NUTS

PAGES 59,275



KNURLED THUMB NUT

PAGES 52,274



KNURLED THUMB NUT "A"

PAGE 52



METRIC HEX FLANGE NUT

PAGE 274



SLOTTED THUMB NUT

PAGE 53



SPLINED PANEL NUT

PAGE 53



DRESS NUT

PAGE 54



STD. SHOULDER WASHERS

PAGES 80-97



RETAINING WASHERS

PAGE 60



FINISHING WASHERS

PAGE 60



FLAT WASHERS

PAGES 61-79, 277



COVED SPACERS

PAGE 122



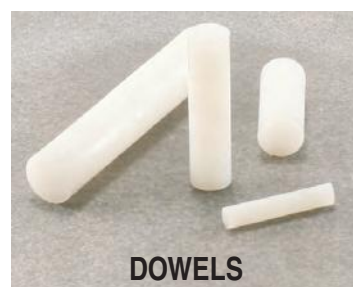
SNAP-IN STANDOFFS

PAGE 131



RETAINING SPACERS

PAGES 130-131



DOWELS

PAGE 101

PICTORIAL INDEX

PREFIX



HEX SPACERS

PAGES 128-129,281



DU ELLOL'

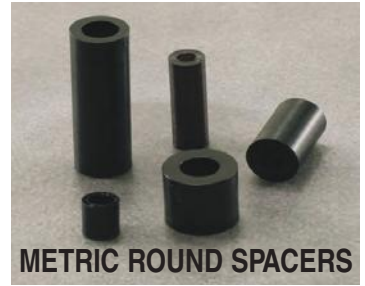
ROUND SPACERS

PAGES 103-127



CUP WASHERS

PAGE 100



METRIC ROUND SPACERS

PAGE 279



MALE-FEMALE STANDOFFS

PAGES 102,280



SHOULDER WASHERS

PAGES 80-97



SCREW INSULATORS

PAGES 99,278



BLIND RIVETS

PAGE 162



VENT/HOLE PLUGS

PAGES 164,282



LOCKING HOLE/VENT PLUGS

PAGE 160



KNOCK-OUT PLUGS

PAGE 161



MINI LOCKING HOLE PLUGS

PAGE 161



WINDOW PLUGS

PAGE 170



TUBULAR EMBLEM CLIPS

PAGE 137



GROMMET NUTS

PAGES 139-145



PUSH-IN FASTENERS

PAGES 146-149



RATCHETING ACTION RIVETS

PAGE 169



SNAP RIVETS

PAGES 150-151



POLY DRIVE RIVETS

PAGES 152-153



SPIN CLIPS

PAGE 155

PICTORIAL INDEX

PREFIX



SNAP TACKS

PAGE 132



MALE-FEMALE RIVET

PAGE 133



MALE-FEMALE MINI RIVET

PAGE 136



2 PC. GROMMET

PAGE 251



PIPE PLUGS

PAGE 47



MALE ADJUSTABLE MINI RIVET

PAGE 137



2 PC. ANCHOR RIVETS

PAGE 159



SCREW ANCHORS

PAGE 169



2 PC. SCREW RIVETS

PAGE 138



PORT COVERS

PAGE 170



PANEL CINCHING RIVET

PAGE 143



SHUTTER PINS

PAGE 163



ARROW CLIPS

PAGES 166-168



KEY-HOLE CLIPS

PAGE 165



SNAP CLIPS

PAGE 149



2 PC. REMOVABLE RIVET

PAGE 137



RATCHET FASTENERS

PAGE 156



XMAS TYPE TREE CLIPS

PAGES 156-158,283



LOOP FASTENER

PAGE 171



QUICK CABLE CLAMPS

PAGE 174



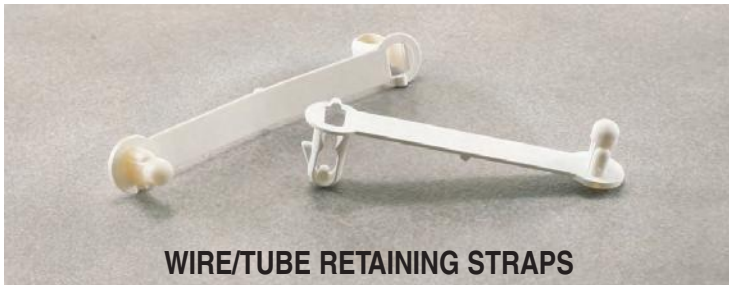
STRAIN RELIEF INSTALLATION TOOLS

PAGE 198



RIBBON CLIPS

PAGE 175



WIRE/TUBE RETAINING STRAPS

PAGE 174



CABLE CLAMPS

PAGES 172-173



NAIL-IN CLIPS

PAGE 209



ADJUSTABLE CABLE CLAMPS

PAGE 208



WIRE CONNECTORS

PAGES 220-221



DOUBLE SCREW CLIP

PAGE 181



CONDUIT CLIPS

PAGE 184



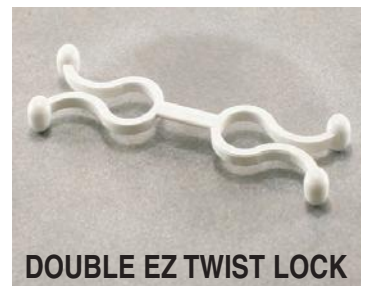
OPEN/CLOSE BUSHINGS

PAGE 210



LADDER CABLE CLAMP

PAGE 208



DOUBLE EZ TWIST LOCK

PAGE 204



EZ TWIST LOCKS

PAGE 204



EZ TWIST LOCK W/ARM

PAGE 206



ANTI-TWIST BUSHING

PAGE 189



INSULATING BUSHINGS

PAGES 190-191

PICTORIAL INDEX

PREFIX



RETAINING LED SPACERS

PAGES 188,189



ALL-FIT BUSHINGS

PAGE 192



STRAIN RELIEF BUSHINGS

PAGES 193-197



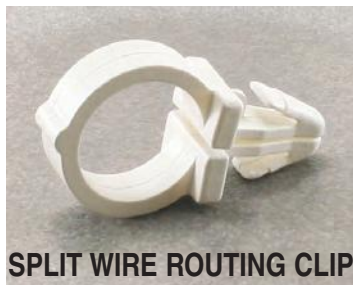
LABEL TWIST LOCK

PAGE 199



MICRO WIRE CLIP

PAGE 184



SPLIT WIRE ROUTING CLIP

PAGE 184



CORD CLIP

PAGE 185



RELEASABLE CONTOUR CLIP

PAGE 178



FUEL LINE CLIP

PAGE 185



WIRE CLIPS

PAGES 176-179,181,183,186



LAMPCORD BUSHINGS

PAGE 187



2 PC. THREADED BUSHING

PAGE 192



ADHESIVE WIRE CLIP WITH TAB

PAGE 178



MINI WIRE SADDLE CLIP

PAGE 181



ADHESIVE CABLE CLIPS

PAGE 180



DUMMY PLUG

PAGE 188



WIRE/SPRING CLIPS

PAGE 179



CABLE CLIPS

PAGE 179



RELEASABLE CLAMPS

PAGES 182,183



EZ TWIST LOCK SUPPORT

PAGE 211

PICTORIAL INDEX

PREFIX



CABLE TIE INSTALLATION TOOLS

PAGE 214



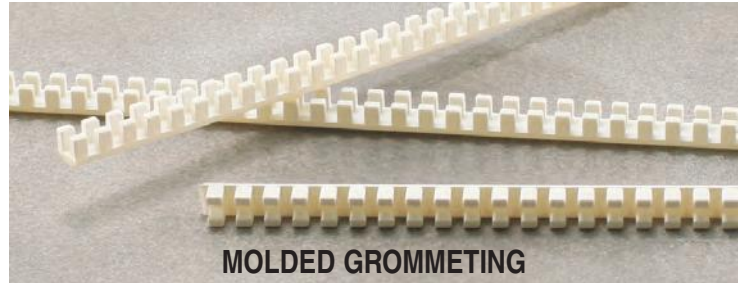
CABLE TIES

PAGES 210-214



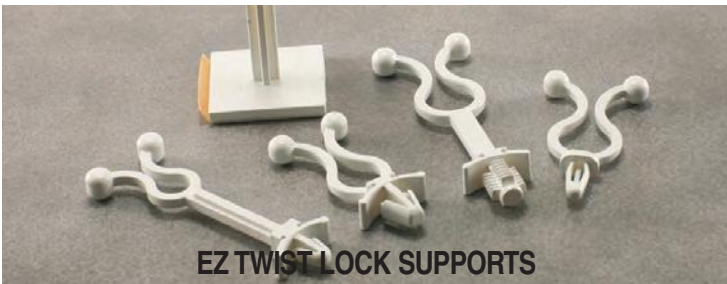
SPLIT LOOM

PAGES 222-223



MOLDED GROMMETING

PAGE 200



EZ TWIST LOCK SUPPORTS

PAGES 211,204-207



SPIRAL WRAP

PAGES 202-203



4ZERO CABLE TIES

PAGE 210



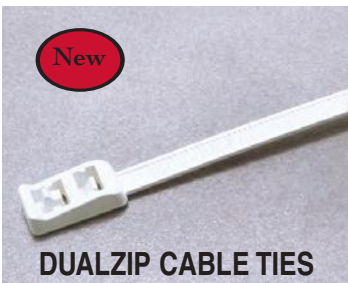
BEADED TIES

PAGE 200



SPLIT LOOM CLIPS

PAGE 223



DUALZIP CABLE TIES

PAGE 211



LAMP SNAP BUSHINGS

PAGES 186-187



LED HOLDERS

PAGE 188



CONTOUR CLIPS

PAGE 178

PICTORIAL INDEX

PREFIX



RELEASABLE WIRE CLIPS

PAGES 176-177,181,183,186



WIRE/CABLE HOLDERS

PAGES 171,182,283



DINN RAIL CLIPS

PAGE 221



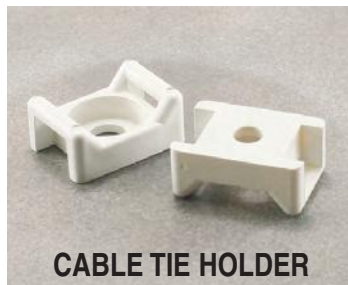
CRADLE MOUNTS

PAGE 216



SCREW TABS

PAGE 220



CABLE TIE HOLDER

PAGE 217



PUSH MOUNT CLIP

PAGE 175



COMBO CRADLE MOUNT

PAGE 219



CABLE TIE MOUNTS

PAGES 217-218



PUSH TIE MOUNT

PAGE 219



CLIP MOUNTS

PAGE 218



CABLE TIE MOUNT

PAGE 215



FIN CLIP PUSH MOUNT

PAGE 215



PREMIUM HOSE CLAMPS

PAGE 242



STANDARD HOSE CLAMPS

PAGE 243



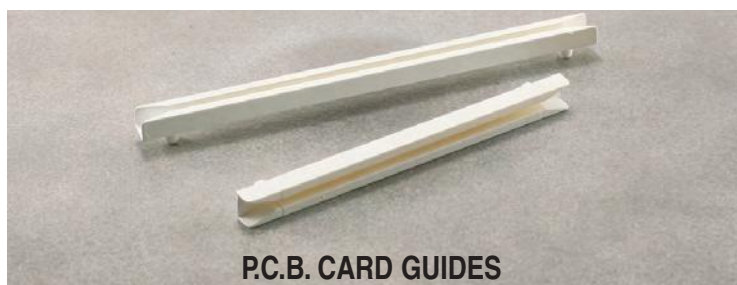
HOSE CLAMP W/FIN BASE

PAGE 244



DOUBLE GRIP HOSE CLAMPS

PAGE 245



P.C.B. CARD GUIDES

PAGE 235

PICTORIAL INDEX

PREFIX



PC.B. SUPPORTS

PAGES 228, 231,237-239



LOCKING PC.B. SUPPORTS

PAGES 227,230



ACETAL RIVETS

PAGE 230



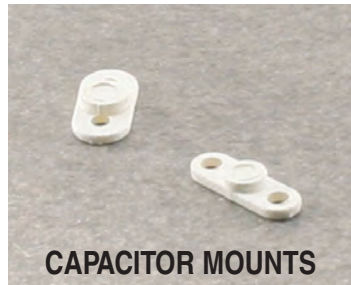
MALE PC.B. POSTS

PAGES 232,284



PC.B. SUPPORT POSTS

PAGES 232,284



CAPACITOR MOUNTS

PAGE 224



2 PC. FASTENER

PAGE 224



TRANSISTOR INSULATORS

PAGE 224



SQUARE STANDOFF LED MOUNT

PAGE 225



MALE-FEMALE PC.B. SUPPORT

PAGES 225,280



LOCKING HEX SPACER

PAGE 225



STACKABLE SNAP-IN STANDOFF

PAGE 226



PC.B. POSTS

PAGES 233, 236



REVERSE LOCKING STANDOFF

PAGE 234



REVERSE LOCKING SUPPORT

PAGE 234



HEAVY DUTY PC.B. SUPPORT

PAGE 227



KEY SLOT PC.B. POST

PAGE 235



TRANSISTOR MOUNTS

PAGE 240



PC.B. SUPPORT POSTS

PAGE 284



TRANSISTOR COVERS

PAGE 241

PICTORIAL INDEX

PREFIX



P.C.B. SUPPORTS

PAGES 228,231,237-239



FEMALE P.C.B. POST

PAGES 228,229



PUSH SPACERS

PAGE 227



SUSPENDED CEILING HOOKS

PAGE 250



CEILING HANGERS

PAGE 252



"S" HOOKS

PAGE 252



ASSORTMENT KITS

PAGES 254-258,285



SNAP HOOK

PAGE 249



CORD HOOK

PAGE 249



HEX HEAD SCREW COVERS

PAGE 246



SWIFTKEY

PAGE 247



NESTING CONTAINERS

PAGE 250



ALIEN LOCK

PAGE 253



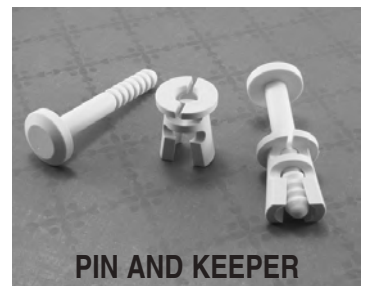
WEBBED "EZ" TWIST

PAGE 207



POST AND PIN

PAGE 135



PIN AND KEEPER

PAGE 163



METRIC BUTTON HEAD SOCKET CAP SCREW

PAGE 268



PIPE PLUG WITH HEAD

PAGE 253



THREADED TRANSPARENT POST AND SCREW

PAGE 134

PRESS-LOC THUMB SCREW KNOBS

HEX PRESS-LOC WING THUMB SCREW KNOBS

NOTE: 29RN and WN fit hex nuts and hex head cap screws.
TO IFI TOLERANCES

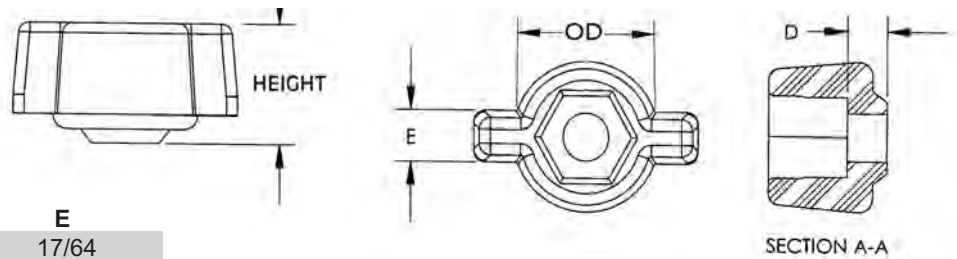
NOTE

IF SCREW OR NUT IS PLATED, PAINTED OR NOT TO IFI STANDARD TOLERANCES, WE STRONGLY RECOMMEND SAMPLES FOR FIT BEFORE ORDERING LARGE QUANTITIES.



DOES NOT INCLUDE STEEL NUT

PART NUMBER	COLOR
29WN014N	NATURAL
29WN014B	BLACK
29WN014WT	WHITE

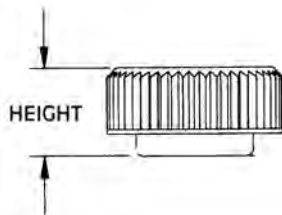


PART NUMBER	SCREW SIZE	OD	HEIGHT	D	E
29WN014	1/4	13/16	21/32	7/32	17/64

HEX PRESS-LOC ROUND THUMB SCREW KNOBS

Micro Plastics' nylon Press-Loc Knobs are designed to press onto standard steel hex head cap screws and hex nuts. Knobs are easily assembled by pressing the steel nut or screw into the plastic knob.

NOTE: 29RN and WN fit hex nuts and hex head cap screws.

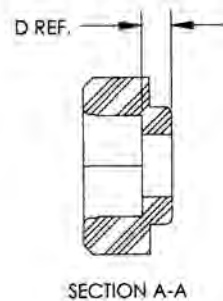
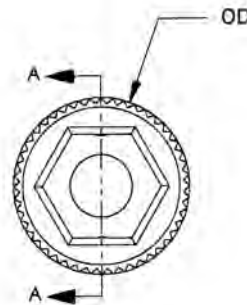


NOTE

IF SCREW OR NUT IS PLATED, PAINTED OR NOT TO IFI STANDARD TOLERANCES, WE STRONGLY RECOMMEND SAMPLES FOR FIT BEFORE ORDERING LARGE QUANTITIES

PART NUMBER	COLOR
29RN147N	NATURAL
29RN147B	BLACK
29RN147WT	WHITE

PART NUMBER	SCREW SIZE	OD	HEIGHT	D
29RN147	1/4	3/4	3/8	1/8 Ref.

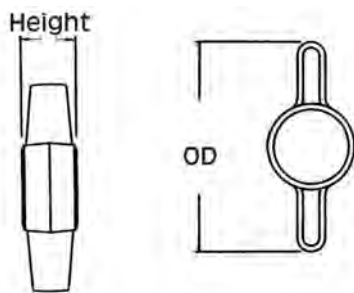


DOES NOT INCLUDE STEEL SCREW

PRESS-LOC THUMB SCREW KNOBS

SECTION

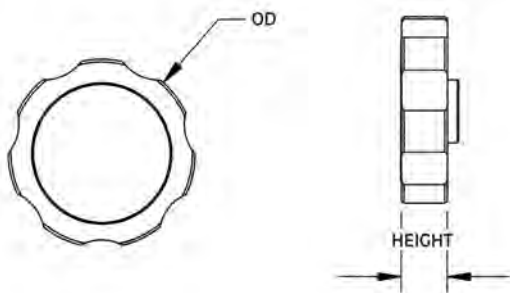
I



WING HEAD - KNOBS

MATERIAL - ACETAL

ITEM NUMBER	SCREW SIZE	SPECIFICATIONS		COLOR
		OD	HEIGHT	
29W010B	#10	1"	1/4"	Black
29W010BL	#10	1"	1/4"	Blue
29W010RD	#10	1"	1/4"	Red
29W010WT	#10	1"	1/4"	White
29W010GR	#10	1"	1/4"	Green
29W014B	1/4	1-17/64"	11/32"	Black
29W014BL	1/4	1-17/64"	11/32"	Blue
29W014RD	1/4	1-17/64"	11/32"	Red
29W014WT	1/4	1-17/64"	11/32"	White
29W014GR	1/4	1-17/64"	11/32"	Green
29W516B	5/16	1-1/2"	13/32"	Black
29W516BL	5/16	1-1/2"	13/32"	Blue
29W516RD	5/16	1-1/2"	13/32"	Red
29W516WT	5/16	1-1/2"	13/32"	White
29W516GR	5/16	1-1/2"	13/32"	Green
29W038B	3/8	1-25/32"	31/64"	Black
29W038BL	3/8	1-25/32"	31/64"	Blue
29W038RD	3/8	1-25/32"	31/64"	Red
29W038WT	3/8	1-25/32"	31/64"	White
29W038GR	3/8	1-25/32"	31/64"	Green



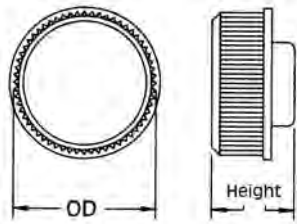
FLOWERETTE - KNOBS

PRESSES ONTO ANY STD. SOCKET HEX CAP SCREW.

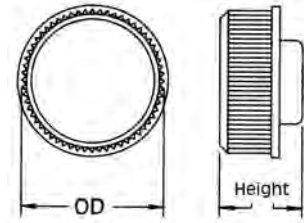
MATERIAL - ACETAL

ITEM NUMBER	SCREW SIZE	SPECIFICATIONS		COLOR
		OD	HEIGHT	
29F014B	1/4	3/8"	1 1/2"	Black
29F014BL	1/4	3/8"	1 1/2"	Blue
29F014RD	1/4	3/8"	1 1/2"	Red
29F014WT	1/4	3/8"	1 1/2"	White
29F014GR	1/4	3/8"	1 1/2"	Green
29F516B	5/16	3/8"	1 1/2"	Black
29F516BL	5/16	3/8"	1 1/2"	Blue
29F516RD	5/16	3/8"	1 1/2"	Red
29F516WT	5/16	3/8"	1 1/2"	White
29F516GR	5/16	3/8"	1 1/2"	Green
29F038B	3/8	3/8"	1 1/2"	Black
29F038BL	3/8	3/8"	1 1/2"	Blue
29F038RD	3/8	3/8"	1 1/2"	Red
29F038WT	3/8	3/8"	1 1/2"	White
29F038GR	3/8	3/8"	1 1/2"	Green

PRESS-LOC THUMB SCREW KNOBS



ROUND HEAD DRAWING FOR:
STANDARD HEAD DIA.
5/16" THROUGH 1"



ROUND HEAD DRAWING FOR:
METRIC HEAD DIA.
9,53 THROUGH 25,40

STANDARD - ROUND HEAD - KNOB

PRESSES ONTO ANY STD. SOCKET HEX CAP SCREW

ITEM NUMBER	Material: ACETAL		SPECIFICATIONS		COLOR
	SCREW SIZE		OD	HEIGHT	
23R004B	#4		5/16"	11/64"	Black
23R004BL	#4		5/16"	11/64"	Blue
23R004RD	#4		5/16"	11/64"	Red
23R004WT	#4		5/16"	11/64"	White
23R004GR	#4		5/16"	11/64"	Green
23R006B	#6		3/8"	13/64"	Black
23R006BL	#6		3/8"	13/64"	Blue
23R006RD	#6		3/8"	13/64"	Red
23R006WT	#6		3/8"	13/64"	White
23R006GR	#6		3/8"	13/64"	Green
23R008B	#8		1/2"	7/32"	Black
23R008BL	#8		1/2"	7/32"	Blue
23R008RD	#8		1/2"	7/32"	Red
23R008WT	#8		1/2"	7/32"	White
23R008GR	#8		1/2"	7/32"	Green
23R010B	#10		21/32"	1/4"	Black
23R010BL	#10		21/32"	1/4"	Blue
23R010RD	#10		21/32"	1/4"	Red
23R010WT	#10		21/32"	1/4"	White
23R010GR	#10		21/32"	1/4"	Green
29R147B	1/4		3/4"	5/16"	Black
29R147BL	1/4		3/4"	5/16"	Blue
29R147RD	1/4		3/4"	5/16"	Red
29R147WT	1/4		3/4"	5/16"	White
29R147GR	1/4		3/4"	5/16"	Green
29R141B	1/4		1"	21/64"	Black
29R141BL	1/4		1"	21/64"	Blue
29R141RD	1/4		1"	21/64"	Red
29R141WT	1/4		1"	21/64"	White
29R141GR	1/4		1"	21/64"	Green
29R516B	5/16		1"	25/64"	Black
29R516BL	5/16		1"	25/64"	Blue
29R516RD	5/16		1"	25/64"	Red
29R516WT	5/16		1"	25/64"	White
29R516GR	5/16		1"	25/64"	Green

METRIC - ROUND HEAD - KNOB

PRESSES ONTO ANY STD. SOCKET HEX CAP SCREW.

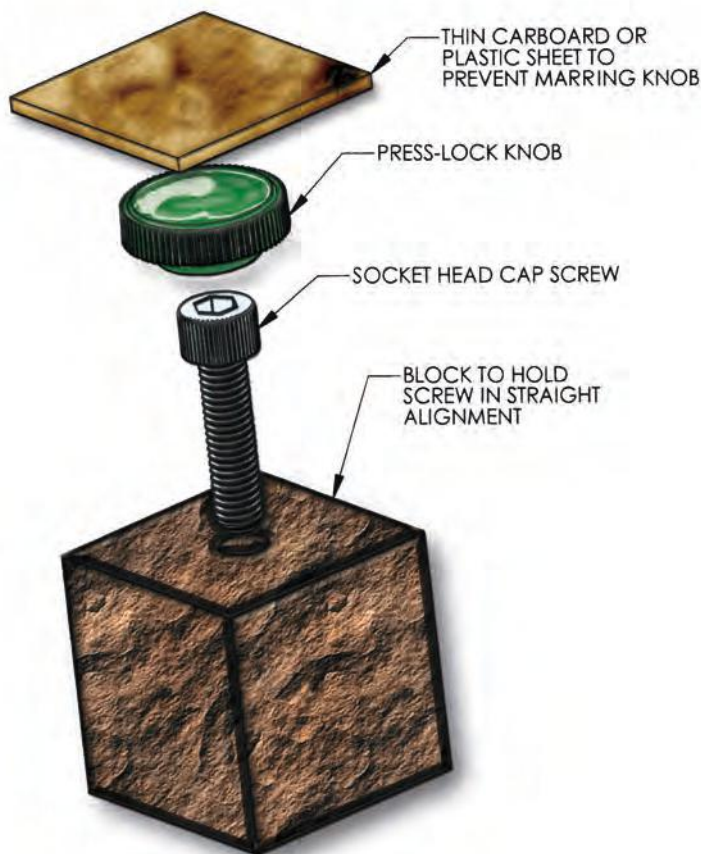
ITEM NUMBER	Material: ACETAL		SPECIFICATIONS		COLOR
	SCREW SIZE		OD	HEIGHT	
29M300RB	M 3		9,53	5,16	Black
29M300RBL	M 3		9,53	5,16	Blue
29M300RRD	M 3		9,53	5,16	Red
29M300RWT	M 3		9,53	5,16	White
29M300RGR	M 3		9,53	5,16	Green
29M400RB	M 4		12,70	5,56	Black
29M400RBL	M 4		12,70	5,56	Blue
29M400RRD	M 4		12,70	5,56	Red
29M400RWT	M 4		12,70	5,56	White
29M400RGR	M 4		12,70	5,56	Green
29M500RB	M 5		16,60	6,35	Black
29M500RBL	M 5		16,60	6,35	Blue
29M500RRD	M 5		16,60	6,35	Red
29M500RWT	M 5		16,60	6,35	White
29M500RGR	M 5		16,60	6,35	Green
29M600RB	M 6		19,05	7,93	Black
29M600RBL	M 6		19,05	7,93	Blue
29M600RRD	M 6		19,05	7,93	Red
29M600RWT	M 6		19,05	7,93	White
29M600RGR	M 6		19,05	7,93	Green
29M601RB	M 6		25,40	8,33	Black
29M601RBL	M 6		25,40	8,33	Blue
29M601RRD	M 6		25,40	8,33	Red
29M601RWT	M 6		25,40	8,33	White
29M601RGR	M 6		25,40	8,33	Green
29M801RB	M 8		25,40	9,92	Black
29M801RBL	M 8		25,40	9,92	Blue
29M801RRD	M 8		25,40	9,92	Red
29M801RWT	M 8		25,40	9,92	White
29M801RGR	M 8		25,40	9,92	Green

PRESS-LOC THUMB SCREW KNOBS

SECTION

EASY TO ASSEMBLE INSTANT THUMB SCREWS

Micro Plastics' Press-Loc Thumb Screw Knobs can be assembled to the appropriate size hexagon socket head cap screw in various ways. Any device that provides a positive clamping force, such as a bench vise or arbor press will perform the assembly. The socket head cap screw must be aligned with the matching counterbore provided in the Press-Loc knob, place the assembly between the clamping jaws of the assembly device and provide enough force to press the knob completely over the head of the screw. A small section of thin cardboard or smooth plastic placed between the surface of the Press-Loc knob and the clamping jaw is recommended to prevent marring of the knob surface.



PRESS-LOC ASSORTMENT KITS

FLOWERETTE 144 PIECE

ASSORTMENT CONSISTS OF APPROX:
 48 - 1/4"
 48 - 5/16"
 48 - 3/8"

Assorted Colors

O4ASO144FPL

WING 312 PIECE

ASSORTMENT CONSISTS OF APPROX:
 72 - 1/4"
 78 - 5/16"
 72 - 3/8"
 90 - #10

Assorted Colors

O4ASO312WPL

ROUND 704 PIECE

ASSORTMENT CONSISTS OF APPROX:
 102 - 5/16"
 102 - 1/4 X 1"
 100 - 1/4 X 3/4"
 100 - #10
 100 - # 8
 100 - # 6
 100 - # 4

Assorted Colors

O4ASO704RPL

ROUND 380 PIECE

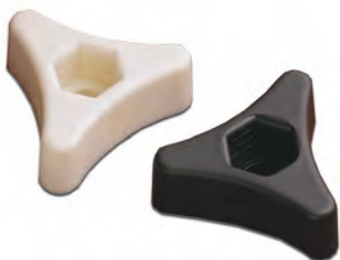
ASSORTMENT CONSISTS OF APPROX:
 40 - 5/16"
 40 - 1/4 X 1"
 75 - 1/4 X 3/4"
 75 - #10
 50 - # 8
 50 - # 6
 50 - # 4

Assorted Colors

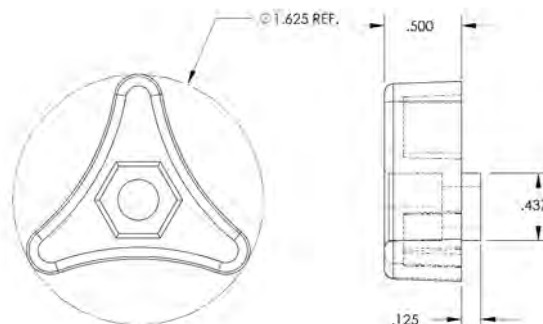
O4ASO380RPL

HEX PRESS-LOC TRI KNOB

Micro Plastics' nylon press-loc tri knobs are designed to press on to 1/4" standard steel hex nuts and 1/4" hex head cap screws. Knobs are easily assembled by pressing the steel nut or screw into the plastic tri knob. Available in natural and black nylon 6/6.



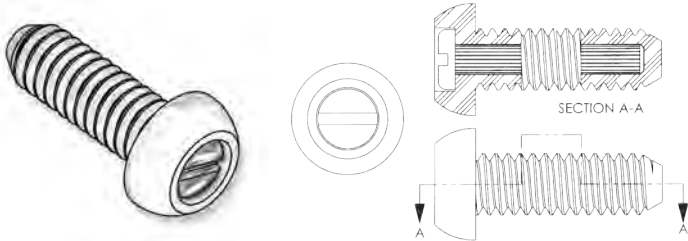
PART NUMBER	SCREW SIZE	OD	COLOR
29TL250N	1/4	1 5/8	NATURAL
29TL250B	1/4	1 5/8	BLACK
29TL250WT	1/4	1 5/8	WHITE



SCREWS, BOLTS, & THREADED ROD

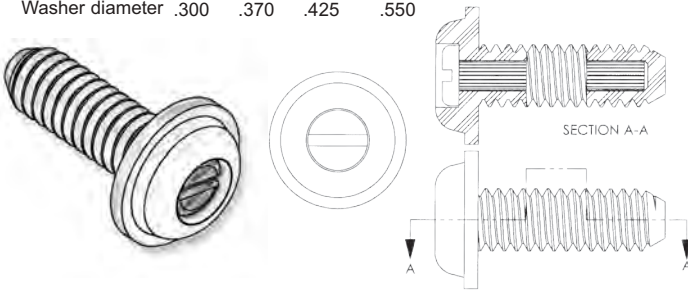
ROUND - CODE "R"

Thread Size	632	832	1032	1/4-20
Head diameter	.255	.300	.340	.450
Head height	.095	.120	.130	.165



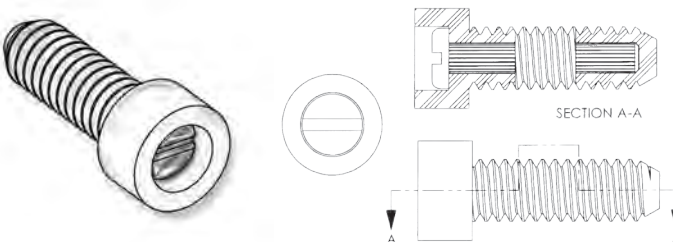
ROUND WASHER - CODE "W"

Thread Size	632	832	1032	1/4-20
Head diameter	.230	.265	.315	.460
Head height	.100	.110	.125	.120
Washer thickness	.025	.032	.036	.056
Washer diameter	.300	.370	.425	.550



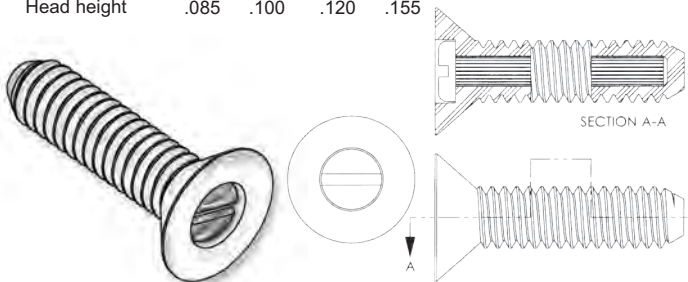
FILLISTER - CODE "F"

Thread Size	632	832	1032	1/4-20
Head diameter	.230	.260	.310	.400
Head height	.135	.140	.160	.220



82° FLAT - CODE "A"

Thread Size	632	832	1032	1/4-20
Head diameter	.265	.305	.370	.510
Head height	.085	.100	.120	.155



PROTECT INSULATE ISOLATE

The shear strength of heat-treated steel. The Dielectric insulation, corrosion resistance and vibration resistance of nylon.

- A perfect combination to replace:
- *costly brass and stainless steel fasteners.
 - *costly multiple component insulated screw assemblies.
 - *costly sleeved and dadded screws.
 - *marginal standard nylon fastener applications.

Metal Core Screws are recommended in applications requiring electrical, thermal and vibration insulation in shear or double shear connections.

These reinforced screws will provide up to 4 times strength of standard nylon fasteners.

NYLON SHELL	REINFORCING CORE
Nylon 66 Natural	*High strength, high carbon C.H.Q. steel.
High dielectric resistance	*Precision cold formed and knurled.
Corrosion resistant	*Electro zinc plated.
Vibration, abrasion resistant	

The reinforcing core incorporates a recessed metal head that permits tightening with high speed, high torque automatic drives.

Due to the corrosion resistant nature of the nylon, the Metal Core Screws can, in certain applications, replace expensive stainless steel, brass and Monel fasteners at a substantial cost savings.

The insulating quality of the nylon shell makes the Metal Core Screws an ideal choice for areas where cathodic or thermal transfer is a problem.

ITEM NUMBER	SCREW SIZE	LENGTH	DESCRIPTION
390632 025	632	1/4	Metal Core
390632 037	632	3/8	Metal Core
390632 050	632	1/2	Metal Core
390832 037	832	3/8	Metal Core
390832 050	832	1/2	Metal Core
391032 037	1032	3/8	Metal Core
391032 050	1032	1/2	Metal Core
391032 075	1032	3/4	Metal Core
392520 037	1/4-20	3/8	Metal Core
392520 050	1/4-20	1/2	Metal Core
392520 062	1/4-20	5/8	Metal Core
392520 075	1/4-20	3/4	Metal Core
392520 100	1/4-20	1	Metal Core

METRIC SIZES AVAILABLE ON APPLICATION

NOTE: SPECIFY HEAD STYLE CODE LETTER.

EXAMPLE: 632 X 1/2"
ROUND HEAD=390632R050

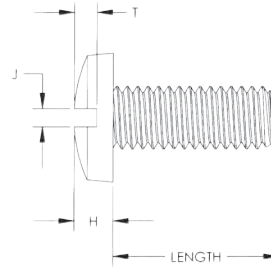
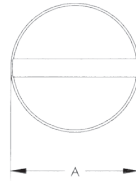
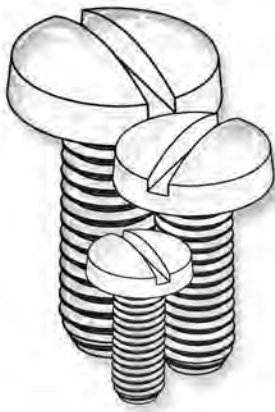


SIZE	MAX TORQUE		TENSILE TEST		DOUBLE SHEAR	
	BEFORE DEFORMATION	ULTIMATE TORQUE	YIELD LBS.	BREAK LBS.	YIELD LBS.	BREAK LBS.
632	1 In. Lbs.	1.5 In. Lbs.	24	32	200	240
832	3 In. Lbs.	4 In. Lbs.	66	72	300	360
1032	5 In. Lbs.	6 In. Lbs.	96	104	600	640
1/4-20	7 In. Lbs.	8 In. Lbs.	120	174	1400	1600

SCREWS, BOLTS, & THREADED ROD

SECTION

II

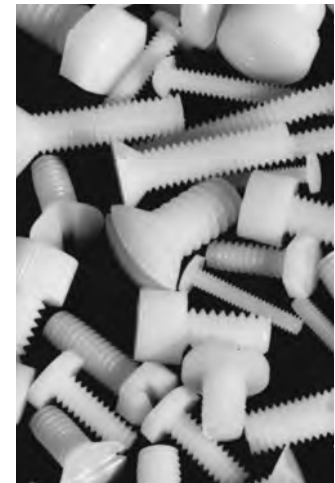


SCREW SIZE	A	H	J	T
0	.119-.126	.026-.032	.016-.023	.009-.018
2	.171-.181	.043-.050	.023-.031	.020-.030
4	.223-.235	.061-.068	.031-.039	.030-.042
6	.275-.290	.078-.087	.039-.048	.040-.053
8	.326-.344	.095-.105	.045-.054	.050-.065
10	.378-.399	.112-.123	.050-.060	.060-.077
12	.430-.454	.130-.141	.056-.067	.070-.089
1/4	.498-.525	.152-.165	.064-.075	.084-.105

BINDER SLOTTED HEADSTYLE

Molded in **Natural Nylon 6/6**

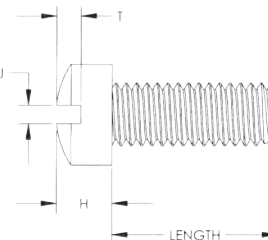
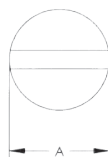
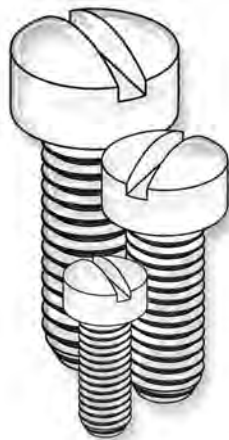
PART NUMBER	SCREW SIZE	THREAD	LENGTH	PART NUMBER	SCREW SIZE	THREAD	LENGTH	PART NUMBER	SCREW SIZE	THREAD	LENGTH	PART NUMBER	SCREW SIZE	THREAD	LENGTH
010080B012	0	80	1/8	010440B112	4	440	1 1/8	010832B031	8	832	5/16	011032B125	10	1032	1 1/4
010080B018	0	80	3/16	010440B118	4	440	1 3/16	010832B037	8	832	3/8	011032B150	10	1032	1 1/2
010080B025	0	80	1/4	010440B125	4	440	1 1/4	010832B043	8	832	7/16	011032B175	10	1032	1 3/4
010256B009	2	256	3/32	010440B137	4	440	1 3/8	010832B050	8	832	1/2	011032B200	10	1032	2
010256B012	2	256	1/8	010440B150	4	440	1 1/2	010832B062	8	832	5/8	012520B025	1/4	1/4-20	1/4
010256B015	2	256	5/32	010440B162	4	440	1 5/8	010832B075	8	832	3/4	012520B031	1/4	1/4-20	5/16
010256B018	2	256	3/16	010440B175	4	440	1 3/4	010832B087	8	832	7/8	012520B037	1/4	1/4-20	3/8
010256B025	2	256	1/4	010448B025	4	448	1/4	010832B100	8	832	1	012520B050	1/4	1/4-20	1/2
010256B028	2	256	9/32	010632B009	6	632	3/32	010832B112	8	832	1 1/8	012520B062	1/4	1/4-20	5/8
010256B031	2	256	5/16	010632B012	6	632	1/8	010832B125	8	832	1 1/4	012520B075	1/4	1/4-20	3/4
010256B037	2	256	3/8	010632B015	6	632	5/32	010832B137	8	832	1 3/8	012520B087	1/4	1/4-20	7/8
010256B039	2	256	25/64	010632B018	6	632	3/16	010832B150	8	832	1 1/2	012520B100	1/4	1/4-20	1
010256B043	2	256	7/16	010632B025	6	632	1/4	010832B175	8	832	1 3/4	012520B125	1/4	1/4-20	1 1/4
010256B050	2	256	1/2	010632B031	6	632	5/16	010832B187	8	832	1 7/8	012520B150	1/4	1/4-20	1 1/2
010256B056	2	256	9/16	010632B037	6	632	3/8	010832B200	8	832	2	012520B175	1/4	1/4-20	1 3/4
010256B062	2	256	5/8	010632B043	6	632	7/16	011024B012	10	1024	1/8	012520B200	1/4	1/4-20	2
010256B075	2	256	3/4	010632B050	6	632	1/2	011024B018	10	1024	3/16	012520B250	1/4	1/4-20	2 1/2
010256B087	2	256	7/8	010632B056	6	632	9/16	011024B025	10	1024	1/4	012528B018	1/4	1/4-28	3/16
010256B100	2	256	1	010632B062	6	632	5/8	011024B031	10	1024	5/16	012528B025	1/4	1/4-28	1/4
010256B112	2	256	1 1/8	010632B068	6	632	11/16	011024B037	10	1024	3/8	012528B037	1/4	1/4-28	3/8
010264B018	2	264	3/16	010632B075	6	632	3/4	011024B050	10	1024	1/2	012528B062	1/4	1/4-28	5/8
010264B037	2	264	3/8	010632B087	6	632	7/8	011024B062	10	1024	5/8	012528B075	1/4	1/4-28	3/4
010436B050	4	436	1/2	010632B100	6	632	1	011024B075	10	1024	3/4	012528B100	1/4	1/4-28	1
010440B009	4	440	3/32	010632B112	6	632	1 1/8	011024B100	10	1024	1				
010440B012	4	440	1/8	010632B125	6	632	1 1/4	011024B125	10	1024	1 1/4				
010440B014	4	440	9/64	010632B150	6	632	1 1/2	011024B150	10	1024	1 1/2				
010440B018	4	440	3/16	010632B162	6	632	1 5/8	011032B012	10	1032	1/8				
010440B025	4	440	1/4	010632B175	6	632	1 3/4	011032B018	10	1032	3/16				
010440B028	4	440	9/32	010632B187	6	632	1 7/8	011032B025	10	1032	1/4				
010440B031	4	440	5/16	010632B200	6	632	2	011032B031	10	1032	5/16				
010440B037	4	440	3/8	010632B225	6	632	2 1/4	011032B037	10	1032	3/8				
010440B043	4	440	7/16	010640B025	6	640	1/4	011032B043	10	1032	7/16				
010440B050	4	440	1/2	010640B037	6	640	3/8	011032B050	10	1032	1/2				
010440B056	4	440	9/16	010640B075	6	640	3/4	011032B062	10	1032	5/8				
010440B062	4	440	5/8	010640B100	6	640	1	011032B075	10	1032	3/4				
010440B068	4	440	11/16	010832B012	8	832	1/8	011032B081	10	1032	13/16				
010440B075	4	440	3/4	010832B018	8	832	3/16	011032B087	10	1032	7/8				
010440B087	4	440	7/8	010832B025	8	832	1/4	011032B100	10	1032	1				
010440B100	4	440	1	010832B028	8	832	9/32	011032B106	10	1032	1-1/16				



SCREWS, BOLTS, & THREADED ROD

SECTION
II

**METRIC Sizes
Also Available**
Page 267



SCREW SIZE	A	H	J	T
0	.119-.126	.026-.032	.016-.023	.009-.018
2	.124-.140	.066-.083	.023-.031	.025-.037
3	.145-.161	.077-.095	.027-.035	.030-.043
4	.166-.183	.088-.107	.031-.039	.035-.048
5	.187-.205	.100-.120	.035-.043	.040-.054
6	.208-.226	.111-.132	.039-.048	.045-.060
8	.250-.270	.133-.156	.045-.054	.054-.071
10	.292-.313	.156-.180	.050-.060	.064-.083
12	.334-.357	.134-.148	.056-.067	.074-.094
1/4	.389-.414	.207-.237	.064-.075	.087-.109
3/8	.590-.622	.315-.355	.081-.094	.133-.164

FILLISTER SLOTTED HEADSTYLE

Molded in Natural Nylon 6/6

PART NUMBER	SCREW SIZE	THREAD	LENGTH	PART NUMBER	SCREW SIZE	THREAD	LENGTH	PART NUMBER	SCREW SIZE	THREAD	LENGTH	PART NUMBER	SCREW SIZE	THREAD	LENGTH
010080F012	0	0-80	1/8	010440F037	4	440	3/8	010632F200	6	632	2	011032F025	10	1032	1/4
010080F018	0	0-80	3/16	010440F043	4	440	7/16	010632F225	6	632	2 1/4	011032F031	10	1032	5/16
010080F025	0	0-80	1/4	010440F050	4	440	1/2	010640F025	6	640	1/4	011032F037	10	1032	3/8
010256F009	2	256	3/32	010440F056	4	440	9/16	010640F037	6	640	3/8	011032F043	10	1032	7/16
010256F012	2	256	1/8	010440F062	4	440	5/8	010640F075	6	640	3/4	011032F050	10	1032	1/2
010256F015	2	256	5/32	010440F068	4	440	11/16	010640F100	6	640	1	011032F062	10	1032	5/8
010256F018	2	256	3/16	010440F075	4	440	3/4	010832F012	8	832	1/8	011032F075	10	1032	3/4
010256F025	2	256	1/4	010440F087	4	440	7/8	010832F018	8	832	3/16	011032F081	10	1032	13/16
010256F028	2	256	9/32	010440F100	4	440	1	010832F025	8	832	1/4	011032F087	10	1032	7/8
010256F031	2	256	5/16	010440F112	4	440	1 1/8	010832F028	8	832	9/32	011032F100	10	1032	1
010256F037	2	256	3/8	010440F118	4	440	1 3/16	010832F031	8	832	5/16	011032F106	10	1032	1 1/16
010256F039	2	256	25/64	010440F125	4	440	1 1/4	010832F037	8	832	3/8	011032F125	10	1032	1 1/4
010256F043	2	256	7/16	010440F137	4	440	1 3/8	010832F043	8	832	7/16	011032F150	10	1032	1 1/2
010256F050	2	256	1/2	010440F150	4	440	1 1/2	010832F050	8	832	1/2	011032F175	10	1032	1 3/4
010256F056	2	256	9/16	010440F162	4	440	1 5/8	010832F062	8	832	5/8	011032F200	10	1032	2
010256F062	2	256	5/8	010440F175	4	440	1 3/4	010832F075	8	832	3/4	012520F025	1/4	1/4-20	1/4
010256F075	2	256	3/4	010448F025	4	448	1/4	010832F087	8	832	7/8	012520F031	1/4	1/4-20	5/16
010256F087	2	256	7/8	010540F037	5	540	3/8	010832F100	8	832	1	012520F037	1/4	1/4-20	3/8
010256F100	2	256	1	010632F009	6	632	3/32	010832F112	8	832	1 1/8	012520F050	1/4	1/4-20	1/2
010256F112	2	256	1 1/8	010632F012	6	632	1/8	010832F125	8	832	1 1/4	012520F062	1/4	1/4-20	5/8
010264F018	2	264	3/16	010632F015	6	632	5/32	010832F137	8	832	1 3/8	012520F075	1/4	1/4-20	3/4
010264F037	2	264	3/8	010632F018	6	632	3/16	010832F150	8	832	1 1/2	012520F087	1/4	1/4-20	7/8
010348F012	3	348	1/8	010632F025	6	632	1/4	010832F175	8	832	1 3/4	012520F100	1/4	1/4-20	1
010348F018	3	348	3/16	010632F031	6	632	5/16	010832F187	8	832	1 7/8	012520F125	1/4	1/4-20	1 1/4
010348F025	3	348	1/4	010632F037	6	632	3/8	010832F200	8	832	2	012520F150	1/4	1/4-20	1 1/2
010348F031	3	348	5/16	010632F043	6	632	7/16	011024F012	10	1024	1/8	012520F175	1/4	1/4-20	1 3/4
010348F037	3	348	3/8	010632F050	6	632	1/2	011024F018	10	1024	3/16	012520F200	1/4	1/4-20	2
010348F043	3	348	7/16	010632F056	6	632	9/16	011024F025	10	1024	1/4	012520F250	1/4	1/4-20	2 1/2
010348F050	3	348	1/2	010632F062	6	632	5/8	011024F031	10	1024	5/16	012528F018	1/4	1/4-28	3/16
010348F075	3	348	3/4	010632F068	6	632	11/16	011024F037	10	1024	3/8	012528F025	1/4	1/4-28	1/4
010356F031	3	356	5/16	010632F075	6	632	3/4	011024F050	10	1024	1/2	012528F037	1/4	1/4-28	3/8
010436F050	4	436	1/2	010632F087	6	632	7/8	011024F062	10	1024	5/8	012528F062	1/4	1/4-28	5/8
010440F009	4	440	3/32	010632F100	6	632	1	011024F075	10	1024	3/4	012528F075	1/4	1/4-28	3/4
010440F012	4	440	1/8	010632F112	6	632	1 1/8	011024F100	10	1024	1	012528F100	1/4	1/4-28	1
010440F014	4	440	9/64	010632F125	6	632	1 1/4	011024F125	10	1024	1 1/4	0137524F100	3/8	3/8-24	1
010440F018	4	440	3/16	010632F150	6	632	1 1/2	011024F150	10	1024	1 1/2				
010440F025	4	440	1/4	010632F162	6	632	1 5/8	011024F200	10	1024	2				
010440F028	4	440	9/32	010632F175	6	632	1 3/4	011032F012	10	1032	1/8				
010440F031	4	440	5/16	010632F187	6	632	1 7/8	011032F018	10	1032	3/16				



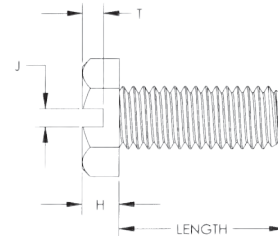
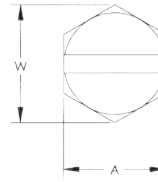
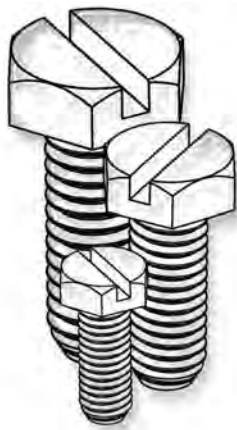
SCREWS, BOLTS, & THREADED ROD

SECTION

II

**METRIC Sizes
Also Available**

Page 260



SCREW SIZE	A	W	H	J	T
2	.120-.125	.134 MIN	.040-.050	.024-.032	.021-.029
4	.181-.188	.202 MIN	.049-.060	.031-.039	.025-.036
6	.244-.250	.272 MIN	.080-.093	.039-.048	.033-.046
8	.244-.250	.272 MIN	.096-.110	.045-.054	.052-.066
10	.305-.312	.340 MIN	.105-.120	.050-.060	.057-.072
12	.305-.312	.340 MIN	.139-.155	.056-.067	.077-.093
1/4	.367-.375	.409 MIN	.172-.190	.064-.075	.083-.101

HEX SLOTTED HEADSTYLE

Molded in **Natural Nylon 6/6**

PART NUMBER	SCREW SIZE	THREAD	LENGTH
010256X009	2	256	3/32
010256X012	2	256	1/8
010256X015	2	256	5/32
010256X018	2	256	3/16
010256X025	2	256	1/4
010256X028	2	256	9/32
010256X031	2	256	5/16
010256X037	2	256	3/8
010256X039	2	256	25/64
010256X043	2	256	7/16
010256X050	2	256	1/2
010256X056	2	256	9/16
010256X062	2	256	5/8
010256X075	2	256	3/4
010256X087	2	256	7/8
010256X100	2	256	1
010256X112	2	256	1 1/8
010264X018	2	264	3/16
010264X037	2	264	3/8
010436X050	4	436	1/2
010440X009	4	440	3/32
010440X012	4	440	1/8
010440X014	4	440	9/64
010440X018	4	440	3/16
010440X025	4	440	1/4
010440X028	4	440	9/32
010440X031	4	440	5/16
010440X037	4	440	3/8
010440X043	4	440	7/16
010440X050	4	440	1/2
010440X056	4	440	9/16
010440X062	4	440	5/8
010440X068	4	440	11/16
010440X075	4	440	3/4
010440X087	4	440	7/8
010440X100	4	440	1
010440X112	4	440	1 1/8
010440X118	4	440	1 3/16
010440X125	4	440	1 1/4

PART NUMBER	SCREW SIZE	THREAD	LENGTH
010440X137	4	440	1 3/8
010440X150	4	440	1 1/2
010440X162	4	440	1 5/8
010440X175	4	440	1 3/4
010448X025	4	448	1/4
010632X009	6	632	3/32
010632X012	6	632	1/8
010632X015	6	632	5/32
010632X018	6	632	3/16
010632X025	6	632	1/4
010632X031	6	632	5/16
010632X037	6	632	3/8
010632X043	6	632	7/16
010632X050	6	632	1/2
010632X056	6	632	9/16
010632X062	6	632	5/8
010632X068	6	632	11/16
010632X075	6	632	3/4
010632X087	6	632	7/8
010632X100	6	632	1
010632X112	6	632	1 1/8
010632X125	6	632	1 1/4
010632X150	6	632	1 1/2
010632X162	6	632	1 5/8
010632X175	6	632	1 3/4
010632X187	6	632	1 7/8
010632X200	6	632	2
010632X225	6	632	2 1/4
010640X025	6	640	1/4
010640X037	6	640	3/8
010640X075	6	640	3/4
010640X100	6	640	1
010832X012	8	832	1/8
010832X018	8	832	3/16
010832X025	8	832	1/4
010832X028	8	832	9/32
010832X031	8	832	5/16
010832X037	8	832	3/8
010832X043	8	832	7/16

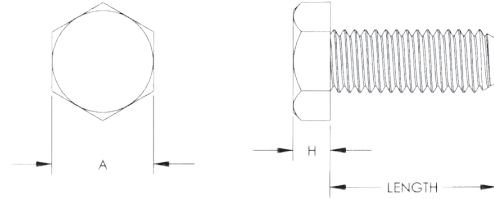
PART NUMBER	SCREW SIZE	THREAD	LENGTH
010832X050	8	832	1/2
010832X062	8	832	5/8
010832X075	8	832	3/4
010832X087	8	832	7/8
010832X100	8	832	1
010832X112	8	832	1 1/8
010832X125	8	832	1 1/4
010832X137	8	832	1 3/8
010832X150	8	832	1 1/2
010832X175	8	832	1 3/4
010832X187	8	832	1 7/8
010832X200	8	832	2
011024X012	10	1024	1/8
011024X018	10	1024	3/16
011024X025	10	1024	1/4
011024X031	10	1024	5/16
011024X037	10	1024	3/8
011024X050	10	1024	1/2
011024X062	10	1024	5/8
011024X075	10	1024	3/4
011024X100	10	1024	1
011024X125	10	1024	1 1/4
011024X150	10	1024	1 1/2
011032X012	10	1032	1/8
011032X018	10	1032	3/16
011032X025	10	1032	1/4
011032X031	10	1032	5/16
011032X037	10	1032	3/8
011032X043	10	1032	7/16
011032X050	10	1032	1/2
011032X062	10	1032	5/8
011032X075	10	1032	3/4
011032X081	10	1032	13/16
011032X087	10	1032	7/8
011032X100	10	1032	1
011032X106	10	1032	1 1/16
011032X125	10	1032	1 1/4
011032X150	10	1032	1 1/2
011032X175	10	1032	1 3/4

PART NUMBER	SCREW SIZE	THREAD	LENGTH
011032X200	10	1032	2
012520X025	1/4	1/4-20	1/4
012520X031	1/4	1/4-20	5/16
012520X037	1/4	1/4-20	3/8
012520X050	1/4	1/4-20	1/2
012520X062	1/4	1/4-20	5/8
012520X075	1/4	1/4-20	3/4
012520X087	1/4	1/4-20	7/8
012520X100	1/4	1/4-20	1
012520X125	1/4	1/4-20	1 1/4
012520X150	1/4	1/4-20	1 1/2
012520X175	1/4	1/4-20	1 3/4
012520X200	1/4	1/4-20	2
012520X250	1/4	1/4-20	2 1/2
012520X300	1/4	1/4-20	3
012528X018	1/4	1/4-28	3/16
012528X025	1/4	1/4-28	1/4
012528X037	1/4	1/4-28	3/8
012528X050	1/4	1/4-28	1/2
012528X062	1/4	1/4-28	5/8
012528X075	1/4	1/4-28	3/4
012528X100	1/4	1/4-28	1



SCREWS, BOLTS, & THREADED ROD

**METRIC Sizes
Also Available**
Page 261



SCREW SIZE	A	H
0	.120-.125	.040-.048
2	.120-.125	.040-.050
3	.181-.188	.044-.055
4	.181-.188	.049-.060
6	.244-.250	.080-.093
8	.244-.250	.095-.110
10	.305-.312	.105-.120
1/4	.367-.375	.172-.190

HEX UNSLOTTED HEADSTYLE

Molded in Natural Nylon 6/6

PART NUMBER	SCREW SIZE	THREAD	LENGTH
010080H012	0	0-80	1/8
010080H018	0	0-80	3/16
010080H025	0	0-80	1/4
010256H009	2	256	3/32
010256H012	2	256	1/8
010256H015	2	256	5/32
010256H018	2	256	3/16
010256H025	2	256	1/4
010256H028	2	256	9/32
010256H031	2	256	5/16
010256H037	2	256	3/8
010256H039	2	256	25/64
010256H043	2	256	7/16
010256H050	2	256	1/2
010256H056	2	256	9/16
010256H062	2	256	5/8
010256H075	2	256	3/4
010256H087	2	256	7/8
010256H100	2	256	1
010256H112	2	256	1 1/8
010264H018	2	264	3/16
010264H037	2	264	3/8
010348H012	3	348	1/8
010348H018	3	348	3/16
010348H025	3	348	1/4
010348H031	3	348	5/16
010348H037	3	348	3/8
010348H043	3	348	7/16
010348H050	3	348	1/2
010348H075	3	348	3/4
010356H031	3	356	5/16
010436H050	4	436	1/2
010440H009	4	440	3/32
010440H012	4	440	1/8
010440H014	4	440	9/64
010440H018	4	440	3/16
010440H025	4	440	1/4
010440H028	4	440	9/32
010440H031	4	440	5/16

PART NUMBER	SCREW SIZE	THREAD	LENGTH
010440H037	4	440	3/8
010440H043	4	440	7/16
010440H050	4	440	1/2
010440H056	4	440	9/16
010440H062	4	440	5/8
010440H068	4	440	11/16
010440H075	4	440	3/4
010440H087	4	440	7/8
010440H100	4	440	1
010440H112	4	440	1 1/8
010440H118	4	440	1 3/16
010440H125	4	440	1 1/4
010440H137	4	440	1 3/8
010440H150	4	440	1 1/2
010440H162	4	440	1 5/8
010440H175	4	440	1 3/4
010448H025	4	448	1/4
010632H009	6	632	3/32
010632H012	6	632	1/8
010632H015	6	632	5/32
010632H018	6	632	3/16
010632H025	6	632	1/4
010632H031	6	632	5/16
010632H037	6	632	3/8
010632H043	6	632	7/16
010632H050	6	632	1/2
010632H056	6	632	9/16
010632H062	6	632	5/8
010632H068	6	632	11/16
010632H075	6	632	3/4
010632H087	6	632	7/8
010632H100	6	632	1
010632H112	6	632	1 1/8
010632H125	6	632	1 1/4
010632H150	6	632	1 1/2
010632H162	6	632	1 5/8
010632H175	6	632	1 3/4
010632H187	6	632	1 7/8
010632H200	6	632	2

PART NUMBER	SCREW SIZE	THREAD	LENGTH
010632H225	6	632	2 1/4
010640H025	6	640	1/4
010640H037	6	640	3/8
010640H075	6	640	3/4
010640H100	6	640	1
010832H012	8	832	1/8
010832H018	8	832	3/16
010832H025	8	832	1/4
010832H028	8	832	9/32
010832H031	8	832	5/16
010832H037	8	832	3/8
010832H043	8	832	7/16
010832H050	8	832	1/2
010832H062	8	832	5/8
010832H075	8	832	3/4
010832H087	8	832	7/8
010832H100	8	832	1
010832H112	8	832	1 1/8
010832H125	8	832	1 1/4
010832H137	8	832	1 3/8
010832H150	8	832	1 1/2
010832H175	8	832	1 3/4
010832H187	8	832	1 7/8
010832H200	8	832	2
011024H012	10	1024	1/8
011024H018	10	1024	3/16
011024H025	10	1024	1/4
011024H031	10	1024	5/16
011024H037	10	1024	3/8
011024H050	10	1024	1/2
011024H062	10	1024	5/8
011024H075	10	1024	3/4
011024H100	10	1024	1
011024H125	10	1024	1 1/4
011024H150	10	1024	1 1/2
011032H012	10	1032	1/8
011032H018	10	1032	3/16
011032H025	10	1032	1/4
011032H031	10	1032	5/16

PART NUMBER	SCREW SIZE	THREAD	LENGTH
011032H037	10	1032	3/8
011032H043	10	1032	7/16
011032H050	10	1032	1/2
011032H062	10	1032	5/8
011032H075	10	1032	3/4
011032H081	10	1032	13/16
011032H087	10	1032	7/8
011032H100	10	1032	1
011032H106	10	1032	1 1/16
011032H125	10	1032	1 1/4
011032H150	10	1032	1 1/2
011032H175	10	1032	1 3/4
011032H200	10	1032	2
012520H025	1/4	1/4-20	1/4
012520H031	1/4	1/4-20	5/16
012520H037	1/4	1/4-20	3/8
012520H050	1/4	1/4-20	1/2
012520H062	1/4	1/4-20	5/8
012520H075	1/4	1/4-20	3/4
012520H087	1/4	1/4-20	7/8
012520H100	1/4	1/4-20	1
012520H125	1/4	1/4-20	1 1/4
012520H150	1/4	1/4-20	1 1/2
012520H175	1/4	1/4-20	1 3/4
012520H200	1/4	1/4-20	2
012520H250	1/4	1/4-20	2 1/2
012528H018	1/4	1/4-28	3/16
012528H025	1/4	1/4-28	1/4
012528H037	1/4	1/4-28	3/8
012528H062	1/4	1/4-28	5/8
012528H075	1/4	1/4-28	3/4
012528H100	1/4	1/4-28	1



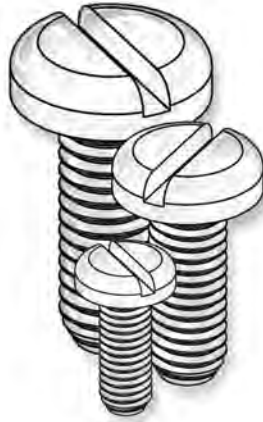
SCREWS, BOLTS, & THREADED ROD

SECTION

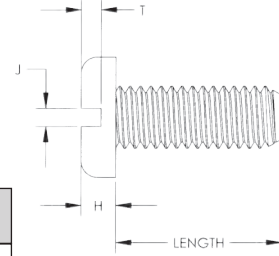
II

METRIC Sizes
Also Available

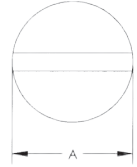
Page 265



SCREW SIZE	A	H	J	T
1	.130-.142	.038-.046	.019-.026	.018-.027
2	.155-.167	.045-.053	.023-.031	.022-.031
3	.193-.180	.051-.060	.027-.035	.026-.036
4	.205-.219	.058-.068	.031-.039	.030-.040
6	.256-.270	.072-.082	.039-.048	.037-.050
8	.306-.322	.085-.096	.045-.054	.045-.058
10	.357-.373	.099-.110	.050-.060	.053-.068
12	.407-.425	.112-.125	.056-.067	.061-.077
1/4	.473-.492	.130-.144	.064-.075	.070-.087
5/16	.594-.615	.162-.178	.072-.084	.085-.106
1/2	.958-.987	.260-.281	.091-.106	.131-.161



New SIZES



PAN SLOTTED HEADSTYLE

Molded in Natural Nylon 6/6

PART NUMBER	SCREW SIZE	THREAD	LENGTH
010080P012	0	0-80	1/8
010080P018	0	0-80	3/16
010080P025	0	0-80	1/4
010164P025	1	164	1/4
010164P075	1	164	3/4
010172P025	1	172	1/4
010172P037	1	172	3/8
010172P050	1	172	1/2
010256P006	2	256	1/16
010256P009	2	256	3/32
010256P012	2	256	1/8
010256P015	2	256	5/32
010256P018	2	256	3/16
010256P025	2	256	1/4
010256P028	2	256	9/32
010256P031	2	256	5/16
010256P037	2	256	3/8
010256P039	2	256	25/64
010256P043	2	256	7/16
010256P050	2	256	1/2
010256P056	2	256	9/16
010256P062	2	256	5/8
010256P075	2	256	3/4
010256P081	2	256	13/16
010256P087	2	256	7/8
010256P100	2	256	1
010256P112	2	256	1 1/8
010264P018	2	264	3/16
010264P037	2	264	3/8
010348P025	3	348	1/4
010436P050	4	436	1/2
010440P009	4	440	3/32
010440P012	4	440	1/8
010440P014	4	440	9/64
010440P018	4	440	3/16
010440P025	4	440	1/4
010440P028	4	440	9/32
010440P031	4	440	5/16
010440P037	4	440	3/8
010440P043	4	440	7/16
010440P050	4	440	1/2

PART NUMBER	SCREW SIZE	THREAD	LENGTH
010440P056	4	440	9/16
010440P062	4	440	5/8
010440P068	4	440	11/16
010440P075	4	440	3/4
010440P087	4	440	7/8
010440P100	4	440	1
010440P112	4	440	1 1/8
010440P118	4	440	1 3/16
010440P125	4	440	1 1/4
010440P137	4	440	1 3/8
010440P150	4	440	1 1/2
010440P162	4	440	1 5/8
010440P175	4	440	1 3/4
010448P025	4	448	1/4
010540P125	5	540	1 1/4
010632P009	6	632	3/32
010632P012	6	632	1/8
010632P015	6	632	5/32
010632P018	6	632	3/16
010632P025	6	632	1/4
010632P031	6	632	5/16
010632P037	6	632	3/8
010632P043	6	632	7/16
010632P050	6	632	1/2
010632P056	6	632	9/16
010632P062	6	632	5/8
010632P068	6	632	11/16
010632P075	6	632	3/4
010632P087	6	632	7/8
010632P100	6	632	1
010632P112	6	632	1 1/8
010632P125	6	632	1 1/4
010632P150	6	632	1 1/2
010632P162	6	632	1 5/8
010632P175	6	632	1 3/4
001632P187	6	632	1 7/8
010632P200	6	632	2
010632P225	6	632	2 1/4
010640P025	6	640	1/4
010640P037	6	640	3/8
010640P075	6	640	3/4

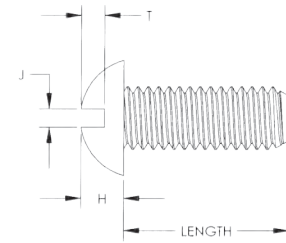
PART NUMBER	SCREW SIZE	THREAD	LENGTH
010640P100	6	640	1
010832P012	8	832	1/8
010832P018	8	832	3/16
010832P025	8	832	1/4
010832P028	8	832	9/32
010832P031	8	832	5/16
010832P037	8	832	3/8
010832P043	8	832	7/16
010832P050	8	832	1/2
010832P062	8	832	5/8
010832P075	8	832	3/4
010832P087	8	832	7/8
010832P100	8	832	1
010832P112	8	832	1 1/8
010832P125	8	832	1 1/4
010832P137	8	832	1 3/8
010832P150	8	832	1 1/2
010832P168	8	832	1 11/16
010832P175	8	832	1 3/4
010832P187	8	832	1 7/8
010832P200	8	832	2
011024P012	10	1024	1/8
011024P018	10	1024	3/16
011024P025	10	1024	1/4
011024P031	10	1024	5/16
011024P037	10	1024	3/8
011024P050	10	1024	1/2
011024P062	10	1024	5/8
011024P075	10	1024	3/4
011024P100	10	1024	1
011024P125	10	1024	1 1/4
011024P150	10	1024	1 1/2
011024P175	10	1024	1 3/4
011024P225	10	1024	2 1/4
011032P012	10	1032	1/8
011032P018	10	1032	3/16
011032P025	10	1032	1/4
011032P031	10	1032	5/16
011032P037	10	1032	3/8
011032P043	10	1032	7/16

PART NUMBER	SCREW SIZE	THREAD	LENGTH
011032P050	10	1032	1/2
011032P062	10	1032	5/8
011032P075	10	1032	3/4
011032P081	10	1032	13/16
011032P087	10	1032	7/8
011032P100	10	1032	1
011032P106	10	1032	1 1/16
011032P125	10	1032	1 1/4
011032P150	10	1032	1 1/2
011032P175	10	1032	1 3/4
011032P200	10	1032	2
011224P037	12	1224	3/8
011224P050	12	1224	1/2
011224P100	12	1224	1
011224P175	12	1224	1 3/4
012520P025	1/4	1/4-20	1/4
012520P031	1/4	1/4-20	5/16
012520P037	1/4	1/4-20	3/8
012520P050	1/4	1/4-20	1/2
012520P062	1/4	1/4-20	5/8
012520P075	1/4	1/4-20	3/4
012520P087	1/4	1/4-20	7/8
012520P100	1/4	1/4-20	1
012520P125	1/4	1/4-20	1 1/4
012520P150	1/4	1/4-20	1 1/2
012520P175	1/4	1/4-20	1 3/4
012520P200	1/4	1/4-20	2
012520P250	1/4	1/4-20	2 1/2
012520P300	1/4	1/4-20	3
012528P018	1/4	1/4-28	3/16
012528P025	1/4	1/4-28	1/4
012528P037	1/4	1/4-28	3/8
012528P043	1/4	1/4-28	7/16
012528P050	1/4	1/4-28	1/2
012528P062	1/4	1/4-28	5/8
012528P075	1/4	1/4-28	3/4
012528P100	1/4	1/4-28	1
0131218P037	5/16	5/16-18	3/8
0131218P087	5/16	5/16-18	7/8
0150013P075	1/2	1/2-13	3/4
0150013P100	1/2	1/2-13	1

SCREWS, BOLTS, & THREADED ROD

SECTION

II



SCREW SIZE	A	H	J	T
1	.122-.138	.051-.061	.019-.026	.033-.044
2	.146-.162	.059-.069	.023-.031	.037-.048
3	.169-.187	.067-.078	.027-.035	.040-.053
4	.193-.211	.075-.086	.031-.039	.044-.058
5	.217-.236	.083-.095	.035-.043	.047-.063
6	.240-.260	.091-.103	.039-.048	.051-.068
8	.287-.309	.107-.120	.045-.054	.058-.077
10	.334-.359	.123-.137	.050-.060	.065-.087
12	.382-.408	.139-.153	.056-.067	.073-.096
1/4	.443-.472	.160-.175	.064-.075	.082-.109

ROUND SLOTTED HEADSTYLE

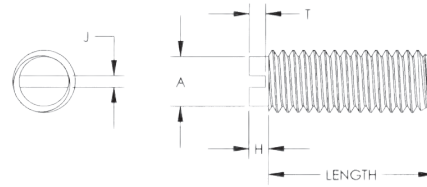
Molded in Natural Nylon 6/6

PART NUMBER	SCREW SIZE	THREAD	LENGTH	PART NUMBER	SCREW SIZE	THREAD	LENGTH	PART NUMBER	SCREW SIZE	THREAD	LENGTH	PART NUMBER	SCREW SIZE	THREAD	LENGTH
010080R012	0	0-80	1/8	010440R018	4	440	3/16	010632R150	6	632	1 1/2	011024R150	10	1024	1 1/2
010080R018	0	0-80	3/16	010440R025	4	440	1/4	010632R162	6	632	1 5/8	011032R012	10	1032	1/8
010080R025	0	0-80	1/4	010440R028	4	440	9/32	010632R175	6	632	1 3/4	011032R018	10	1032	3/16
010164R025	1	164	1/4	010440R031	4	440	5/16	010632R187	6	632	1 7/8	011032R025	10	1032	1/4
010164R075	1	164	3/4	010440R037	4	440	3/8	010632R200	6	632	2	011032R031	10	1032	5/16
010172R025	1	172	1/4	010440R043	4	440	7/16	010632R225	6	632	2 1/4	011032R037	10	1032	3/8
010172R050	1	172	1/2	010440R050	4	440	1/2	010640R025	6	640	1/4	011032R043	10	1032	7/16
010256R006	2	256	1/16	010440R056	4	440	9/16	010640R037	6	640	3/8	011032R050	10	1032	1/2
010256R009	2	256	3/32	010440R062	4	440	5/8	010640R075	6	640	3/4	011032R062	10	1032	5/8
010256R012	2	256	1/8	010440R068	4	440	11/16	010640R100	6	640	1	011032R075	10	1032	3/4
010256R015	2	256	5/32	010440R075	4	440	3/4	010832R012	8	832	1/8	011032R081	10	1032	13/16
010256R018	2	256	3/16	010440R087	4	440	7/8	010832R018	8	832	3/16	011032R087	10	1032	7/8
010256R025	2	256	1/4	010440R100	4	440	1	010832R025	8	832	1/4	011032R100	10	1032	1
010256R028	2	256	9/32	010440R112	4	440	1 1/8	010832R028	8	832	9/32	011032R106	10	1032	1 1/16
010256R031	2	256	5/16	010440R118	4	440	1 3/16	010832R031	8	832	5/16	011032R125	10	1032	1 1/4
010256R037	2	256	3/8	010440R125	4	440	1 1/4	010832R037	8	832	3/8	011032R150	10	1032	1 1/2
010256R043	2	256	7/16	010440R137	4	440	1 3/8	010832R043	8	832	7/16	011032R162	10	1032	1 5/8
010256R050	2	256	1/2	010440R150	4	440	1 1/2	010832R050	8	832	1/2	011032R175	10	1032	1 3/4
010256R056	2	256	9/16	010440R162	4	440	1 5/8	010832R062	8	832	5/8	011032R200	10	1032	2
010256R062	2	256	5/8	010440R175	4	440	1 3/4	010832R075	8	832	3/4	012520R025	1/4	1/4-20	1/4
010256R075	2	256	3/4	010448R025	4	448	1/4	010832R087	8	832	7/8	012520R031	1/4	1/4-20	5/16
010256R087	2	256	7/8	010540R050	5	540	1/2	010832R100	8	832	1	012520R037	1/4	1/4-20	3/8
010256R100	2	256	1	010632R009	6	632	3/32	010832R112	8	832	1 1/8	012520R050	1/4	1/4-20	1/2
010256R112	2	256	1 1/8	010632R012	6	632	1/8	010832R125	8	832	1 1/4	012520R062	1/4	1/4-20	5/8
010264R018	2	264	3/16	010632R015	6	632	5/32	010832R137	8	832	1 3/8	012520R075	1/4	1/4-20	3/4
010264R037	2	264	3/8	010632R018	6	632	3/16	010832R150	8	832	1 1/2	012520R087	1/4	1/4-20	7/8
010348R012	3	348	1/8	010632R025	6	632	1/4	010832R175	8	832	1 3/4	012520R100	1/4	1/4-20	1
010348R018	3	348	3/16	010632R031	6	632	5/16	010832R187	8	832	1 7/8	012520R125	1/4	1/4-20	1 1/4
010348R025	3	348	1/4	010632R037	6	632	3/8	010832R200	8	832	2	012520R150	1/4	1/4-20	1 1/2
010348R031	3	348	5/16	010632R043	6	632	7/16	011024R012	10	1024	1/8	012520R175	1/4	1/4-20	1 3/4
010348R037	3	348	3/8	010632R050	6	632	1/2	011024R018	10	1024	3/16	012520R200	1/4	1/4-20	2
010348R043	3	348	7/16	010632R056	6	632	9/16	011024R025	10	1024	1/4	012520R250	1/4	1/4-20	2 1/2
010348R050	3	348	1/2	010632R062	6	632	5/8	011024R031	10	1024	5/16	012520R300	1/4	1/4-20	3
010348R075	3	348	3/4	010632R068	6	632	11/16	011024R037	10	1024	3/8	012528R018	1/4	1/4-28	3/16
010356R031	3	356	5/16	010632R075	6	632	3/4	011024R050	10	1024	1/2	012528R025	1/4	1/4-28	1/4
010436R050	4	436	1/2	010632R087	6	632	7/8	011024R062	10	1024	5/8	012528R037	1/4	1/4-28	3/8
010440R009	4	440	3/32	010632R100	6	632	1	011024R075	10	1024	3/4	012528R062	1/4	1/4-28	5/8
010440R012	4	440	1/8	010632R112	6	632	1 1/8	011024R100	10	1024	1	012528R075	1/4	1/4-28	3/4
010440R014	4	440	9/64	010632R125	6	632	1 1/4	011024R125	10	1024	1 1/4	012528R100	1/4	1/4-28	1

SCREWS, BOLTS, & THREADED ROD

SECTION

II



SCREW SIZE	A	H	J	T
2	.055	.035	.018	.020
4	.075	.045	.020	.025
6	.100	.055	.025	.030
8	.120	.055	.028	.035
10	.150	.060	.035	.050
1/4	.175	.080	.040	.060
3/8	.285	.086	.054	.081
5/16	.246	.078	.051	.078



SET SLOTTED HEADSTYLE

Molded in **Natural Nylon 6/6**

PART NUMBER	SCREW SIZE	THREAD	LENGTH
010256S006	2	256	1/16
010256S009	2	256	3/32
010256S012	2	256	1/8
010256S015	2	256	5/32
010256S018	2	256	3/16
010256S025	2	256	1/4
010256S028	2	256	9/32
010256S031	2	256	5/16
010256S037	2	256	3/8
010256S043	2	256	7/16
010256S050	2	256	1/2
010256S056	2	256	9/16
010256S062	2	256	5/8
010256S075	2	256	3/4
010256S087	2	256	7/8
010256S100	2	256	1
010256S112	2	256	1 1/8
010264S018	2	264	3/16
010264S037	2	264	3/8
010436S050	4	436	1/2
010440S009	4	440	3/32
010440S012	4	440	1/8
010440S014	4	440	9/64
010440S015	4	440	5/32
010440S018	4	440	3/16
010440S025	4	440	1/4
010440S028	4	440	9/32
010440S031	4	440	5/16
010440S037	4	440	3/8
010440S043	4	440	7/16
010440S050	4	440	1/2
010440S056	4	440	9/16
010440S062	4	440	5/8
010440S068	4	440	11/16
010440S075	4	440	3/4
010440S087	4	440	7/8
010440S100	4	440	1
010440S112	4	440	1 1/8
010440S118	4	440	1 3/16

PART NUMBER	SCREW SIZE	THREAD	LENGTH
010440S125	4	440	1 1/4
010440S137	4	440	1 3/8
010440S150	4	440	1 1/2
010440S162	4	440	1 5/8
010440S175	4	440	1 3/4
010448S025	4	448	1/4
010632S009	6	632	3/32
010632S012	6	632	1/8
010632S015	6	632	5/32
010632S018	6	632	3/16
010632S025	6	632	1/4
010632S031	6	632	5/16
010632S037	6	632	3/8
010632S043	6	632	7/16
010632S050	6	632	1/2
010632S056	6	632	9/16
010632S062	6	632	5/8
010632S068	6	632	11/16
010632S075	6	632	3/4
010632S087	6	632	7/8
010632S100	6	632	1
010632S112	6	632	1 1/8
010632S125	6	632	1 1/4
010632S150	6	632	1 1/2
010632S162	6	632	1 5/8
010632S175	6	632	1 3/4
010632S187	6	632	1 7/8
010632S200	6	632	2
010632S225	6	632	2 1/4
010640S025	6	640	1/4
010640S037	6	640	3/8
010640S075	6	640	3/4
010640S100	6	640	1
010832S012	8	832	1/8
010832S018	8	832	3/16
010832S025	8	832	1/4
010832S031	8	832	5/16
010832S037	8	832	3/8
010832S106	10	1032	1 1/16
010832S125	10	1032	1 1/4
010832S150	10	1032	1 1/2
010832S175	10	1032	1 3/4

PART NUMBER	SCREW SIZE	THREAD	LENGTH
010832S043	8	832	7/16
010832S050	8	832	1/2
010832S062	8	832	5/8
010832S075	8	832	3/4
010832S087	8	832	7/8
010832S100	8	832	1
010832S112	8	832	1 1/8
010832S125	8	832	1 1/4
010832S137	8	832	1 3/8
010832S150	8	832	1 1/2
010832S175	8	832	1 3/4
010832S187	8	832	1 7/8
010832S200	8	832	2
011024S012	10	1024	1/8
011024S018	10	1024	3/16
011024S025	10	1024	1/4
011024S031	10	1024	5/16
011024S037	10	1024	3/8
011024S050	10	1024	1/2
011024S062	10	1024	5/8
011024S075	10	1024	3/4
011024S100	10	1024	1
011024S125	10	1024	1 1/4
011024S150	10	1024	1 1/2
011032S012	10	1032	1/8
011032S018	10	1032	3/16
011032S025	10	1032	1/4
011032S031	10	1032	5/16
011032S037	10	1032	3/8
011032S050	10	1032	1/2
011032S062	10	1032	5/8
011032S075	10	1032	3/4
011032S081	10	1032	13/16
011032S087	10	1032	7/8
011032S100	10	1032	1
011032S106	10	1032	1 1/16
011032S125	10	1032	1 1/4
011032S150	10	1032	1 1/2
011032S175	10	1032	1 3/4

PART NUMBER	SCREW SIZE	THREAD	LENGTH
011032S200	10	1032	2
012520S025	1/4	1/4-20	1/4
012520S031	1/4	1/4-20	5/16
012520S037	1/4	1/4-20	3/8
012520S050	1/4	1/4-20	1/2
012520S062	1/4	1/4-20	5/8
012520S075	1/4	1/4-20	3/4
012520S087	1/4	1/4-20	7/8
012520S100	1/4	1/4-20	1
012520S125	1/4	1/4-20	1 1/4
012520S150	1/4	1/4-20	1 1/2
012520S175	1/4	1/4-20	1 3/4
012520S200	1/4	1/4-20	2
012520S250	1/4	1/4-20	2 1/2
012528S018	1/4	1/4-28	3/16
012528S025	1/4	1/4-28	1/4
012528S031	1/4	1/4-28	5/16
012528S037	1/4	1/4-28	3/8
012528S062	1/4	1/4-28	5/8
012528S075	1/4	1/4-28	3/4
012528S100	1/4	1/4-28	1
0137516S050	3/8	3/8-16	1/2
0137516S062	3/8	3/8-16	5/8
0137524S031*	3/8	3/8-24	5/16
0137524S041*	3/8	3/8-24	27/64
0131224S081	5/16	5/16-24	13/16

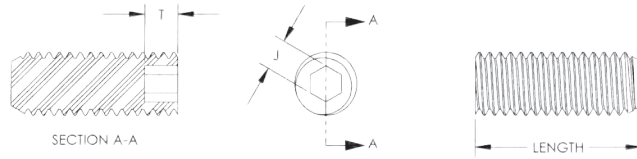
*SLOT IS IN THREADS



SCREWS, BOLTS, & THREADED ROD

SECTION

II



SCREW SIZE	J	T	SCREW SIZE	J	T
4	.050	.070	5/16	.156	.156
6	.062	.080	3/8	.188	.188
8	.078	.090	1/2	.250	.250
10	.094	.100	5/8	.312	.312
1/4	.125	.125	3/4	.370	.185



SET SOCKET HEADSTYLE

Molded in **Natural Nylon 6/6**

PART NUMBER	SCREW SIZE	THREAD	LENGTH
010436T050	4	436	1/2
010440T009	4	440	3/32
010440T012	4	440	1/8
010440T014	4	440	9/64
010440T015	4	440	5/32
010440T018	4	440	3/16
010440T025	4	440	1/4
010440T028	4	440	9/32
010440T031	4	440	5/16
010440T037	4	440	3/8
010440T043	4	440	7/16
010440T050	4	440	1/2
010440T056	4	440	9/16
010440T062	4	440	5/8
010440T068	4	440	11/16
010440T075	4	440	3/4
010440T087	4	440	7/8
010440T100	4	440	1
010440T112	4	440	1 1/8
010440T118	4	440	1 3/16
010440T125	4	440	1 1/4
010440T137	4	440	1 3/8
010440T150	4	440	1 1/2
010440T162	4	440	1 5/8
010440T175	4	440	1 3/4
010448T025	4	448	1/4
010448T031	4	448	5/16
010632T009	6	632	3/32
010632T012	6	632	1/8
010632T015	6	632	5/32
010632T018	6	632	3/16
010632T025	6	632	1/4
010632T031	6	632	5/16
010632T037	6	632	3/8
010632T043	6	632	7/16
010632T050	6	632	1/2
010632T056	6	632	9/16
010632T062	6	632	5/8
010632T068	6	632	11/16

PART NUMBER	SCREW SIZE	THREAD	LENGTH
010632T075	6	632	3/4
010632T087	6	632	7/8
010632T100	6	632	1
010632T112	6	632	1 1/8
010632T125	6	632	1 1/4
010632T150	6	632	1 1/2
010632T162	6	632	1 5/8
010632T175	6	632	1 3/4
010632T187	6	632	1 7/8
010632T200	6	632	2
010632T225	6	632	2 1/4
010640T025	6	640	1/4
010640T037	6	640	3/8
010640T075	6	640	3/4
010640T100	6	640	1
010832T012	8	832	1/8
010832T018	8	832	3/16
010832T025	8	832	1/4
010832T028	8	832	9/32
010832T031	8	832	5/16
010832T037	8	832	3/8
010832T043	8	832	7/16
010832T050	8	832	1/2
010832T062	8	832	5/8
010832T075	8	832	3/4
010832T087	8	832	7/8
010832T100	8	832	1
010832T112	8	832	1 1/8
010832T125	8	832	1 1/4
010832T137	8	832	1 3/8
010832T150	8	832	1 1/2
010832T175	8	832	1 3/4
010832T187	8	832	1 7/8
010832T200	8	832	2
011024T012	10	1024	1/8
011024T018	10	1024	3/16
011024T025	10	1024	1/4
011024T031	10	1024	5/16
011024T037	10	1024	3/8

PART NUMBER	SCREW SIZE	THREAD	LENGTH
011024T050	10	1024	1/2
011024T062	10	1024	5/8
011024T075	10	1024	3/4
011024T100	10	1024	1
011024T125	10	1024	1 1/4
011024T150	10	1024	1 1/2
011032T012	10	1032	1/8
011032T018	10	1032	3/16
011032T025	10	1032	1/4
011032T031	10	1032	5/16
011032T037	10	1032	3/8
011032T043	10	1032	7/16
011032T050	10	1032	1/2
011032T062	10	1032	5/8
011032T075	10	1032	3/4
011032T081	10	1032	13/16
011032T087	10	1032	7/8
011032T100	10	1032	1
011032T106	10	1032	1 1/16
011032T125	10	1032	1 1/4
011032T150	10	1032	1 1/2
011032T175	10	1032	1 3/4
011032T200	10	1032	2
012520T018	1/4	1/4-20	1/8
012520T025	1/4	1/4-20	1/4
012520T031	1/4	1/4-20	5/16
012520T037	1/4	1/4-20	3/8
012520T050	1/4	1/4-20	1/2
012520T062	1/4	1/4-20	5/8
012520T075	1/4	1/4-20	3/4
012520T087	1/4	1/4-20	7/8
012520T100	1/4	1/4-20	1
012520T125	1/4	1/4-20	1 1/4
012520T150	1/4	1/4-20	1 1/2
012520T175	1/4	1/4-20	1 3/4
012520T200	1/4	1/4-20	2
012520T250	1/4	1/4-20	2 1/2
012528T018	1/4	1/4-28	3/16
012528T025	1/4	1/4-28	1/4

PART NUMBER	SCREW SIZE	THREAD	LENGTH
012528T037	1/4	1/4-28	3/8
012528T062	1/4	1/4-28	5/8
012528T075	1/4	1/4-28	3/4
012528T100	1/4	1/4-28	1
0131218T037	5/16	5/16-18	3/8
0131218T050	5/16	5/16-18	1/2
0131218T075	5/16	5/16-18	3/4
0131218T100	5/16	5/16-18	1
0137516T050	3/8	3/8-16	1/2
0137516T062	3/8	3/8-16	5/8
0137516T075	3/8	3/8-16	3/4
0137516T100	3/8	3/8-16	1
0150013T050	1/2	1/2-13	1/2
0150013T075	1/2	1/2-13	3/4
0150013T100	1/2	1/2-13	1
0150013T125	1/2	1/2-13	1 1/4
0162511T050	5/8	5/8-11	1/2
0162511T075	5/8	5/8-11	3/4
0162511T100	5/8	5/8-11	1
0162511T150	5/8	5/8-11	1 1/2
0175010T025	3/4	3/4-10	1/4

Due to the small delicate drive on this style set screw we recommend that you test samples prior to ordering production quantities of this style part. The drive on this style screw can be damaged very easily if the tapped hole is small or the thread is longer than a hex nut. An alternative would be the grub style screw.



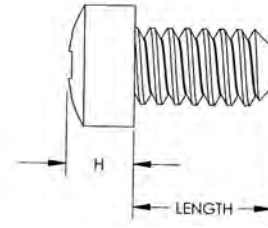
SCREWS, BOLTS, & THREADED ROD

SECTION

II

**METRIC Sizes
Also Available**

Page 266



**FILLISTER
PHILLIPS**

HEADSTYLE

Molded in Natural Nylon 6/6

PART NUMBER	SCREW SIZE	THREAD	LENGTH
010440WF009	4	440	3/32
010440WF012	4	440	1/8
010440WF014	4	440	9/64
010440WF018	4	440	3/16
010440WF025	4	440	1/4
010440WF028	4	440	9/32
010440WF031	4	440	5/16
010440WF037	4	440	3/8
010440WF043	4	440	7/16
010440WF050	4	440	1/2
010440WF056	4	440	9/16
010440WF062	4	440	5/8
010440WF068	4	440	11/16
010440WF075	4	440	3/4
010440WF087	4	440	7/8
010440WF100	4	440	1
010440WF112	4	440	1 1/8
010440WF118	4	440	1 3/16
010440WF125	4	440	1 1/4
010440WF137	4	440	1 3/8
010440WF150	4	440	1 1/2
010440WF162	4	440	1 5/8
010440WF175	4	440	1 3/4
010632WF009	6	632	3/32
010632WF012	6	632	1/8
010632WF015	6	632	5/32
010632WF018	6	632	3/16
010632WF025	6	632	1/4
010632WF031	6	632	5/16
010632WF037	6	632	3/8
010632WF043	6	632	7/16
010632WF050	6	632	1/2
010632WF056	6	632	9/16
010632WF062	6	632	5/8
010632WF068	6	632	11/16
010632WF075	6	632	3/4
010632WF087	6	632	7/8
010632WF100	6	632	1

PART NUMBER	SCREW SIZE	THREAD	LENGTH
010632WF112	6	632	1 1/8
010632WF125	6	632	1 1/4
010632WF150	6	632	1 1/2
010632WF162	6	632	1 5/8
010632WF1750	6	632	1 3/4
10632WF187	6	632	1 7/8
010632WF200	6	632	2
010632WF225	6	632	2 1/4
010640WF025	6	640	1/4
010640WF037	6	640	3/8
010640WF075	6	640	3/4
010640WF100	6	640	1
010832WF012	8	832	1/8
010832WF018	8	832	3/16
010832WF025	8	832	1/4
010832WF028	8	832	9/32
010832WF031	8	832	5/16
010832WF037	8	832	3/8
010832WF043	8	832	7/16
010832WF050	8	832	1/2
010832WF062	8	832	5/8
010832WF075	8	832	3/4
010832WF087	8	832	7/8
010832WF100	8	832	1
010832WF112	8	832	1 1/8
010832WF125	8	832	1 1/4
010832WF137	8	832	1 3/8
010832WF150	8	832	1 1/2
010832WF175	8	832	1 3/4
010832WF187	8	832	1 7/8
010832WF200	8	832	2
011024WF012	10	1024	1/8
011024WF018	10	1024	3/16
011024WF025	10	1024	1/4
011024WF031	10	1024	5/16
011024WF037	10	1024	3/8
011024WF050	10	1024	1/2
011024WF062	10	1024	5/8

SCREW SIZE	A	H
4	.166/.183	.088/.107
6	.208/.226	.111/.132
8	.250/.270	.133/.156
10	.292/.313	.156/.180
1/4	.378/.403	.189/.219

PART NUMBER	SCREW SIZE	THREAD	LENGTH
011024WF075	10	1024	3/4
011024WF100	10	1024	1
011024WF125	10	1024	1 1/4
011024WF150	10	1024	1 1/2
011032WF012	10	1032	1/8
011032WF018	10	1032	3/16
011032WF025	10	1032	1/4
011032WF031	10	1032	5/16
011032WF037	10	1032	3/8
011032WF043	10	1032	7/16
011032WF050	10	1032	1/2
011032WF062	10	1032	5/8
011032WF075	10	1032	3/4
011032WF081	10	1032	13/16
011032WF087	10	1032	7/8
011032WF100	10	1032	1
011032WF106	10	1032	1 1/16
011032WF125	10	1032	1 1/4
011032WF150	10	1032	1 1/2
011032WF175	10	1032	1 3/4
011032WF200	10	1032	2
012520WF025	1/4	1/4-20	1/4
012520WF031	1/4	1/4-20	5/16
012520WF037	1/4	1/4-20	3/8
012520WF050	1/4	1/4-20	1/2
012520WF062	1/4	1/4-20	5/8
012520WF075	1/4	1/4-20	3/4
012520WF087	1/4	1/4-20	7/8
012520WF100	1/4	1/4-20	1
012520WF125	1/4	1/4-20	1 1/4
012520WF150	1/4	1/4-20	1 1/2
012520WF175	1/4	1/4-20	1 3/4
012520WF200	1/4	1/4-20	2
012520WF250	1/4	1/4-20	2 1/2
012528WF018	1/4	1/4-28	3/16
012528WF025	1/4	1/4-28	1/4
012528WF037	1/4	1/4-28	3/8
012528WF062	1/4	1/4-28	5/8

PART NUMBER	SCREW SIZE	THREAD	LENGTH
012528WF075	1/4	1/4-28	3/4
012528WF100	1/4	1/4-28	1

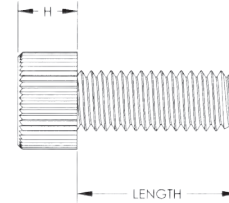
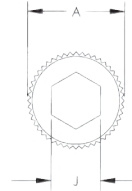


SCREWS, BOLTS, & THREADED ROD

SECTION

II

**METRIC Sizes
Also Available**
Page 270



SCREW SIZE	A Ref.	H Ref.	J	Key Engagement Min.
2	.134-.140	.083-.086	5/64"	.038
4	.176-.183	.108-.112	3/32"	.051
6	.218-.226	.134-.138	7/64"	.064
8	.262-.270	.159-.164	9/64"	.077
10	.303-.312	.185-.190	5/32"	.090
1/4	.365-.375	.244-.250	3/16"	.120
5/16	.457-.469	.306-.312	1/4"	.151
3/8	.550-.562	.368-.375	5/16"	.182
1/2	.735-.750	.492-.500	3/8"	.245
5/8	.921-.938	.616-.625	1/2"	.307

HEX

SOCKET CAP Molded in **Natural Nylon 6/6**

PART NUMBER	SCREW SIZE	THREAD	LENGTH	PART NUMBER	SCREW SIZE	THREAD	LENGTH	PART NUMBER	SCREW SIZE	THREAD	LENGTH	PART NUMBER	SCREW SIZE	THREAD	LENGTH
3404360050	4	436	1/2	3406320150	6	632	1 1/2	3410320025	10	1032	1/4	3431218125	5/16	5/16-18	1 1/4*
3404400009	4	440	3/32	3406320175	6	632	1 3/4	3410320031	10	1032	5/16	3431218150	5/16	5/16-18	1 1/2*
3404400012	4	440	1/8	3406320187	6	632	1 7/8	3410320037	10	1032	3/8	3431218200	5/16	5/16-18	2*
3404400014	4	440	9/64	3406320225	6	632	2 1/4	3410320050	10	1032	1/2	3431218250	5/16	5/16-18	2 1/2*
3404400018	4	440	3/16	3406400025	6	640	1/4	3410320062	10	1032	5/8	3431218300	5/16	5/16-18	3*
3404400025	4	440	1/4	3406400037	6	640	3/8	3410320075	10	1032	3/4	3437516050	3/8	3/8-16	1/2
3404400028	4	440	9/32	3406400075	6	640	3/4	3410320081	10	1032	13/16	3437516075	3/8	3/8-16	3/4
3404400031	4	440	5/16	3406400100	6	640	1	3410320087	10	1032	7/8	3437516100	3/8	3/8-16	1
3404400037	4	440	3/8	3408320012	8	832	1/8	3410320100	10	1032	1	3437516125	3/8	3/8-16	1 1/4*
3404400043	4	440	7/16	3408320018	8	832	3/16	3410320106	10	1032	1 1/16	3437516150	3/8	3/8-16	1 1/2*
3404400050	4	440	1/2	3408320028	8	832	9/32	3410320125	10	1032	1 1/4	3437516200	3/8	3/8-16	2*
3404400056	4	440	9/16	3408320025	8	832	1/4	3410320150	10	1032	1 1/2	3437516250	3/8	3/8-16	2 1/2*
3404400062	4	440	5/8	3408320031	8	832	5/16	3410320200	10	1032	2	3437516300	3/8	3/8-24	3*
3404400068	4	440	11/16	3408320037	8	832	3/8	3425200018	1/4	1/4-20	3/16	3437524075	3/8	3/8-24	3/4
3404400075	4	440	3/4	3408320043	8	832	7/16	3425200025	1/4	1/4-20	1/4	3450013050	1/2	1/2-13	1/2
3404400087	4	440	7/8	3408320050	8	832	1/2	3425200031	1/4	1/4-20	5/16	3450013075	1/2	1/2-13	3/4
3404400100	4	440	1	3408320062	8	832	5/8	3425200037	1/4	1/4-20	3/8	3450013100	1/2	1/2-13	1
3404400112	4	440	1 1/8	3408320075	8	832	3/4	3425200050	1/4	1/4-20	1/2	3450013125	1/2	1/2-13	1 1/4*
3404400125	4	440	1 1/4	3408320087	8	832	7/8	3425200062	1/4	1/4-20	5/8	3450013150	1/2	1/2-13	1 1/2*
3404400137	4	440	1 3/8	3408320100	8	832	1	3425200075	1/4	1/4-20	3/4	3450013200	1/2	1/2-13	2*
3404400150	4	440	1 1/2	3408320112	8	832	1 1/8	3425200087	1/4	1/4-20	7/8	3450013250	1/2	1/2-13	2 1/2*
3406320009	6	632	3/32	3408320125	8	832	1 1/4	3425200100	1/4	1/4-20	1	3450013300	1/2	1/2-13	3*
3406320012	6	632	1/8	3408320137	8	832	1 3/8	3425200112	1/4	1/4-20	1 1/8	3462511050	5/8	5/8-11	1/2
3406320015	6	632	5/32	3408320150	8	832	1 1/2	3425200125	1/4	1/4-20	1 1/4	3462511075	5/8	5/8-11	3/4
3406320018	6	632	3/16	3408320175	8	832	1 3/4	3425200150	1/4	1/4-20	1 1/2	3462511100	5/8	5/8-11	1
3406320025	6	632	1/4	3408320200	8	832	2	3425200175	1/4	1/4-20	1 3/4	3462511150	5/8	5/8-11	1 1/2
3406320031	6	632	5/16	3410240012	10	1024	1/8	3425200200	1/4	1/4-20	2*	3462511200	5/8	5/8-11	2*
3406320034	6	632	11/32	3410240018	10	1024	3/16	3425200225	1/4	1/4-20	2 1/4*	3462511250	5/8	5/8-11	2 1/2*
3406320037	6	632	3/8	3410240025	10	1024	1/4	3425200250	1/4	1/4-20	2 1/2*	3462511300	5/8	5/8-11	3*
3406320043	6	632	7/16	3410240031	10	1024	5/16	3425200250FT	1/4	1/4-20	2 1/2				
3406320050	6	632	1/2	3410240037	10	1024	3/8	3425200300FT	1/4	1/4-20	3				
3406320062	6	632	5/8	3410240050	10	1024	1/2	3425280018	1/4	1/4-28	3/16				
3406320068	6	632	11/16	3410240062	10	1024	5/8	3425280025	1/4	1/4-28	1/4				
3406320075	6	632	3/4	3410240075	10	1024	3/4	3425280037	1/4	1/4-28	3/8				
3406320087	6	632	7/8	3410240100	10	1024	1	3425280075	1/4	1/4-28	3/4				
3406320100	6	632	1	3410240125	10	1024	1 1/4	3425280100	1/4	1/4-28	1				
3406320112	6	632	1 1/8	3410240150	10	1032	1 1/2	3431218050	5/16	5/16-18	1/2				
3406320131	6	632	1 5/16	3410320012	10	1032	1/8	3431218075	5/16	5/16-18	3/4				
3406320125	6	632	1 1/4	3410320018	10	1032	3/16	3431218100	5/16	5/16-18	1				

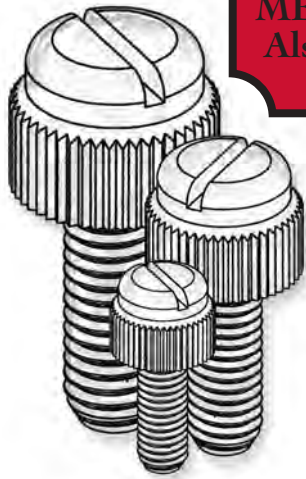
*NOT FULL THREAD



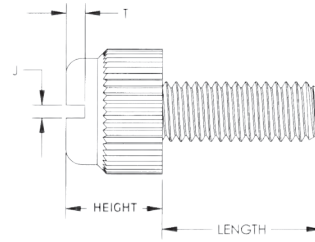
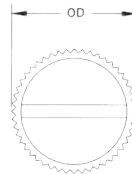
SCREWS, BOLTS, & THREADED ROD

SECTION

II



METRIC Sizes
Also Available
Page 271



SCREW SIZE	OD*	HEIGHT	J	T
4	.317	.216	.030	.040
6	.336	.243	.030	.040
8	.381	.280	.035	.045
10	.395	.305	.040	.065
1/4	.480	.305	.045	.065

ECONOMY GRADE THUMB SCREWS

Molded in Natural Nylon 6/6

PART NUMBER	SCREW SIZE	THREAD	LENGTH
09044009TEG	4	440	3/32
090440012TEG	4	440	1/8
090440014TEG	4	440	9/64
090440018TEG	4	440	3/16
090440025TEG	4	440	1/4
090440028TEG	4	440	9/32
090440031TEG	4	440	5/16
090440037TEG	4	440	3/8
090440043TEG	4	440	7/16
090440050TEG	4	440	1/2
090440056TEG	4	440	9/16
090440062TEG	4	440	5/8
090440068TEG	4	440	11/16
090440075TEG	4	440	3/4
090440087TEG	4	440	7/8
090440100TEG	4	440	1
090440112TEG	4	440	1 1/8
090440118TEG	4	440	1 3/16
090440125TEG	4	440	1 1/4
090440137TEG	4	440	1 3/8
090440150TEG	4	440	1 1/2
090440175TEG	4	440	1 3/4
090448025TEG	4	448	1/4
090632009TEG	6	632	3/32
090632012TEG	6	632	1/8
090632015TEG	6	632	5/32
090632018TEG	6	632	3/16
090632025TEG	6	632	1/4
090632031TEG	6	632	5/16
090632037TEG	6	632	3/8
090632043TEG	6	632	7/16
090632050TEG	6	632	1/2
090632056TEG	6	632	9/16
090632062TEG	6	632	5/8
090632068TEG	6	632	11/16
090632075TEG	6	632	3/4
090632087TEG	6	632	7/8
090632100TEG	6	632	1
090632112TEG	6	632	1 1/8

PART NUMBER	SCREW SIZE	THREAD	LENGTH
090632125TEG	6	632	1 1/4
090632150TEG	6	632	1 1/2
090632162TEG	6	632	1 5/8
090632175TEG	6	632	1 3/4
090632187TEG	6	632	1 7/8
090632225TEG	6	632	2 1/4
090640025TEG	6	640	1/4
090640037TEG	6	640	3/8
090640075TEG	6	640	3/4
090640100TEG	6	640	1
090832012TEG	8	832	1/8
090832018TEG	8	832	3/16
090832025TEG	8	832	1/4
090832028TEG	8	832	9/32
090832031TEG	8	832	5/16
090832037TEG	8	832	3/8
090832043TEG	8	832	7/16
090832050TEG	8	832	1/2
090832062TEG	8	832	5/8
090832075TEG	8	832	3/4
090832087TEG	8	832	7/8
090832100TEG	8	832	1
090832112TEG	8	832	1 1/8
090832125TEG	8	832	1 1/4
090832137TEG	8	832	1 3/8
090832150TEG	8	832	1 1/2
090832175TEG	8	832	1 3/4
090832187TEG	8	832	1 7/8
090832200TEG	8	832	2
091024012TEG	10	1024	1/8
091024018TEG	10	1024	3/16
091024025TEG	10	1024	1/4
091024031TEG	10	1024	5/16
091024037TEG	10	1024	3/8
091024050TEG	10	1024	1/2
091024062TEG	10	1024	5/8
091024075TEG	10	1024	3/4
091024100TEG	10	1024	1
091024125TEG	10	1024	1 1/4

PART NUMBER	SCREW SIZE	THREAD	LENGTH
091024150TEG	10	1024	1 1/2
091032012TEG	10	1032	1/8
091032018TEG	10	1032	3/16
091032025TEG	10	1032	1/4
091032031TEG	10	1032	5/16
091032037TEG	10	1032	3/8
091032043TEG	10	1032	7/16
091032050TEG	10	1032	1/2
091032062TEG	10	1032	5/8
091032075TEG	10	1032	3/4
091032081TEG	10	1032	13/16
091032087TEG	10	1032	7/8
091032100TEG	10	1032	1
091032125TEG	10	1032	1 1/4
091032150TEG	10	1032	1 1/2
091032175TEG	10	1032	1 3/4
091032200TEG	10	1032	2
092520025TEG	1/4	1/4-20	1/4
092520031TEG	1/4	1/4-20	5/16

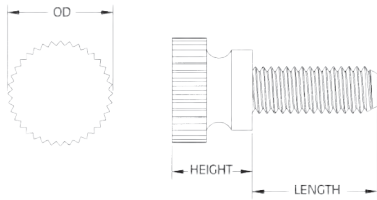
PART NUMBER	SCREW SIZE	THREAD	LENGTH
092520037TEG	1/4	1/4-20	3/8
092520050TEG	1/4	1/4-20	1/2
092520062TEG	1/4	1/4-20	5/8
092520075TEG	1/4	1/4-20	3/4
092520087TEG	1/4	1/4-20	7/8
092520100TEG	1/4	1/4-20	1
092520125TEG	1/4	1/4-20	1 1/4
092520150TEG	1/4	1/4-20	1 1/2
092520175TEG	1/4	1/4-20	1 3/4
092520200TEG	1/4	1/4-20	2
092520250TEG	1/4	1/4-20	2 1/2
092528018TEG	1/4	1/4-28	3/16
092528025TEG	1/4	1/4-28	1/4
092528037TEG	1/4	1/4-28	3/8
092528050TEG	1/4	1/4-28	1/2
092528075TEG	1/4	1/4-28	3/4
092528100TEG	1/4	1/4-28	1



KNURLED HEAD THUMB SCREWS

Molded in **Natural Nylon 6/6**

PART NUMBER	SCREW SIZE	THREAD	LENGTH
090440018T	4	440	3/16
090440025T	4	440	1/4
090440037T	4	440	3/8
090440050T	4	440	1/2
090440075T	4	440	3/4
090632025T	6	632	1/4
090632037T	6	632	3/8
090632050T	6	632	1/2
090632075T	6	632	3/4
090632100T	6	632	1
090832018T	8	832	3/16
090832025T	8	832	1/4
090832037T	8	832	3/8
090832050T	8	832	1/2
090832075T	8	832	3/4
090832100T	8	832	1
091024050T	10	1024	1/2
091024075T	10	1024	3/4
091024100T	10	1024	1
091024125T	10	1024	1 1/4
091024200T	10	1024	2
091032037T	10	1032	3/8
091032050T	10	1032	1/2
091032075T	10	1032	3/4
091032100T	10	1032	1
091032150T	10	1032	1 1/2
091032200T	10	1032	2
092520025T	1/4	1/4-20	1/4
092520037T	1/4	1/4-20	3/8
092520050T	1/4	1/4-20	1/2
092520075T	1/4	1/4-20	3/4
092520100T	1/4	1/4-20	1
092520125T	1/4	1/4-20	1 1/4
092520150T	1/4	1/4-20	1 1/2
0931218050T	5/16	5/16-18	1/2
0931218075T	5/16	5/16-18	3/4
0931218100T	5/16	5/16-18	1
0931218150T	5/16	5/16-18	1 1/2
0931218200T	5/16	5/16-18	2
0937516050T	3/8	3/8-16	1/2
0937516100T	3/8	3/8-16	1
0937516150T	3/8	3/8-16	1 1/2
0937516200T	3/8	3/8-16	2
0950013050T	1/2	1/2-13	1/2
0950013100T	1/2	1/2-13	1
0950013150T	1/2	1/2-13	1 1/2

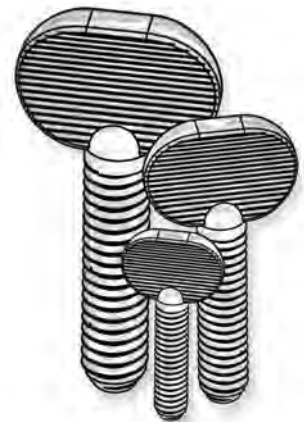
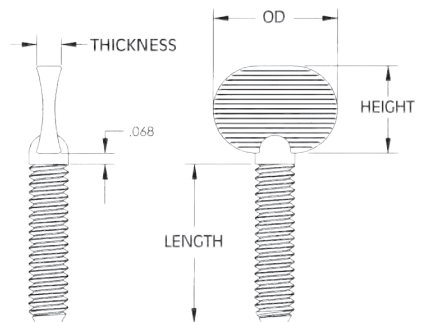


SCREW SIZE	OD *	HEIGHT *
4	.300 (7,62)	.280 (7,11)
6	.360 (98,14)	.275 (6,99)
8	.425 (10,80)	.305 (7,75)
10	.425 (10,80)	.325 (8,26)
1/4	.540 (13,72)	.365 (9,27)
5/16	.615 (15,62)	.385 (9,78)
3/8	.687 (17,45)	.430 (10,92)
1/2	.750 (19,05)	.468 (11,89)

OVAL HEAD THUMB SCREWS

PART NUMBER	SCREW SIZE	THREAD	LENGTH
092520037V	1/4	1/4-20	3/8
092520050V	1/4	1/4-20	1/2
092520062V	1/4	1/4-20	5/8
092520100V	1/4	1/4-20	1
092520150V	1/4	1/4-20	1 1/2
092520175V	1/4	1/4-20	1 3/4
092520200V	1/4	1/4-20	2
092520250V	1/4	1/4-20	2 1/2

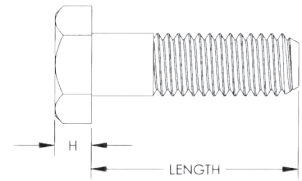
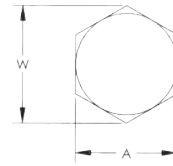
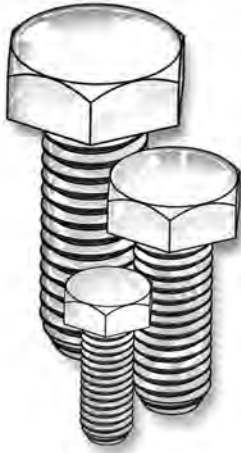
Molded in **Natural Nylon 6/6**



SCREW SIZE	OD	HEIGHT	THICKNESS
1/4	.780	.550	5/32

SCREWS, BOLTS, & THREADED ROD

SECTION
II



ALL PARTS UP TO AND INCLUDING 1" LONG ARE FULLY THREADED

SCREW SIZE	A	W	H
1/4	.425-.438	.484-.505	.150-.188
5/16	.484-.500	.552-.577	.195-.235
3/8	.544-.562	.620-.650	.226-.268
1/2	.725-.750	.826-.866	.302-.364
5/8	.906-.938	1.033-1.083	.378-.444
3/4	1.088-1.125	1.240-1.299	.455-.524
7/8	1.269-1.312	1.447-1.516	.531-.604



UNSLOTTED HEX CAP SCREWS Molded in Natural Nylon 6/6

PART NUMBER	SCREW SIZE	THREAD	LENGTH
0325020025	1/4	1/4-20	1/4
0325020037	1/4	1/4-20	3/8
0325020050	1/4	1/4-20	1/2
0325020062	1/4	1/4-20	5/8
0325020075	1/4	1/4-20	3/4
0325020100	1/4	1/4-20	1
0325020125	1/4	1/4-20	1 1/4
0325020150	1/4	1/4-20	1 1/2
0325020165FT	1/4	1/4-20	1 21/32
0325020175FT	1/4	1/4-20	1 3/4
0325020200	1/4	1/4-20	2
0325020212	1/4	1/4-20	2 1/8
0325020225	1/4	1/4-20	2 1/4
0325020250	1/4	1/4-20	2 1/2
0325020250FT	1/4	1/4-20	2 1/2
0325020275	1/4	1/4-20	2 3/4
0325020300	1/4	1/4-20	3
0325020300FT	1/4	1/4-20	3
0325020350	1/4	1/4-20	3 1/2
0325020400	1/4	1/4-20	4
0325020450	1/4	1/4-20	4 1/2
0325020500	1/4	1/4-20	5
0325020550	1/4	1/4-20	5 1/2
0325020600	1/4	1/4-20	6
0331218050	5/16	5/16-18	1/2
0331218075	5/16	5/16-18	3/4

FT = Full Threaded

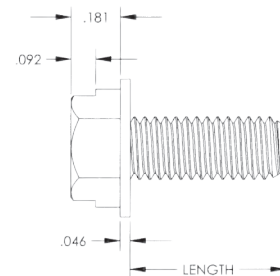
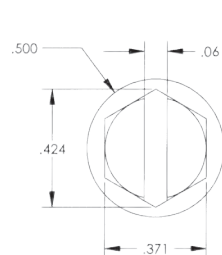
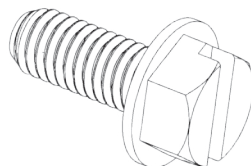
PART NUMBER	SCREW SIZE	THREAD	LENGTH
0331218100	5/16	5/16-18	1
0331218125	5/16	5/16-18	1 1/4
0331218137	5/16	5/16-18	1 3/8
0331218150	5/16	5/16-18	1 1/2
0331218200	5/16	5/16-18	2
0331218250	5/16	5/16-18	2 1/2
0331218300	5/16	5/16-18	3
0331218350	5/16	5/16-18	3 1/2
0331218400	5/16	5/16-18	4
0331218450	5/16	5/16-18	4 1/2
0331218500	5/16	5/16-18	5
0331218550	5/16	5/16-18	5 1/2
0331224050	5/16	5/16-24	1/2
0331224075	5/16	5/16-24	3/4
0331224100	5/16	5/16-24	1
0331224150	5/16	5/16-24	1 1/2
0331224150FT	5/16	5/16-24	1 1/2
0337516050	3/8	3/8-16	1/2
0337516075	3/8	3/8-16	3/4
0337516100	3/8	3/8-16	1
0337516125	3/8	3/8-16	1 1/4
0337516150	3/8	3/8-16	1 1/2
0337516150FT	3/8	3/8-16	1 1/2
0337516200	3/8	3/8-16	2
0337516200FT	3/8	3/8-16	2

PART NUMBER	SCREW SIZE	THREAD	LENGTH
0337516250	3/8	3/8-16	2 1/2
0337516300	3/8	3/8-16	3
0337516350	3/8	3/8-16	3 1/2
0337516400	3/8	3/8-16	4
0337516450	3/8	3/8-16	4 1/2
0337516500	3/8	3/8-16	5
0337516550	3/8	3/8-16	5 1/2
0337516600	3/8	3/8-16	6
0337516700	3/8	3/8-16	7
0337524050	3/8	3/8-24	1/2
0337524150	3/8	3/8-24	1 1/2
0337524150FT	3/8	3/8-24	1 1/2
0350013050	1/2	1/2-13	1/2
0350013075	1/2	1/2-13	3/4
0350013087	1/2	1/2-13	7/8
0350013100	1/2	1/2-13	1
0350013125	1/2	1/2-13	1 1/4
0350013150	1/2	1/2-13	1 1/2
0350013175	1/2	1/2-13	1 3/4
0350013200	1/2	1/2-13	2
0350013250	1/2	1/2-13	2 1/2
0350013300	1/2	1/2-13	3
0350013350	1/2	1/2-13	3 1/2
0350013400	1/2	1/2-13	4
0350013450	1/2	1/2-13	4 1/2
0350013500	1/2	1/2-13	5
0350013550	1/2	1/2-13	5 1/2

PART NUMBER	SCREW SIZE	THREAD	LENGTH
0350013600	1/2	1/2-13	6
0362511050	5/8	5/8-11	1/2
0362511075	5/8	5/8-11	3/4
0362511100	5/8	5/8-11	1
0362511150FT	5/8	5/8-11	1 1/2
0362511200	5/8	5/8-11	2
0362511250	5/8	5/8-11	2 1/2
0362511300	5/8	5/8-11	3
0362511300FT	5/8	5/8-11	3
0362511350	5/8	5/8-11	3 1/2
0362511400	5/8	5/8-11	4
0362511400FT	5/8	5/8-11	4
0362511450	5/8	5/8-11	4 1/2
0362511500	5/8	5/8-11	5
0362511550	5/8	5/8-11	5 1/2
0362511600	5/8	5/8-11	6
0362511625S	5/8	5/8-11	6 1/4
0362511700	5/8	5/8-11	7
0362511800	5/8	5/8-11	8
0362511900	5/8	5/8-11	9
03625111000	5/8	5/8-11	10
03625111200	5/8	5/8-11	12
0375010075	3/4	3/4-10	3/4
0375010400FT	3/4	3/4-10	4
0375010550	3/4	3/4-10	5 1/2
0387509075	7/8	7/8-9	3/4
0387509450FT	7/8	7/8-9	4 1/2

"SPECIAL ITEM" SLOTTED HEX WASHER CAP Molded in Natural Nylon 6/6

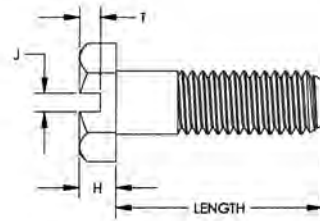
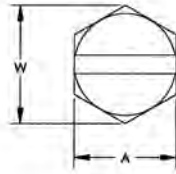
PART NUMBER	SCREW SIZE	THREAD	LENGTH
401017	1/4	1/4-20	3/8
401016	1/4	1/4-20	5/8



SCREWS, BOLTS, & THREADED ROD

SECTION

II



ALL PARTS UP TO AND INCLUDING 1" LONG ARE FULLY THREADED

SCREW SIZE	A	W	H	J	T
1/4	.425-.438	.484-.505	.150-.188	.070	.090
5/16	.484-.500	.552-.577	.195-.235	.080	.110
3/8	.544-.562	.620-.650	.226-.268	.090	.140
1/2	.725-.750	.826-.866	.302-.364	.075	.163
5/8	.906-.938	1.033-1.083	.378-.444	.110	.170

SLOTTED HEX CAP SCREWS

Molded in Natural Nylon 6/6

PART NUMBER	SCREW SIZE	THREAD	LENGTH
3225020025	1/4	1/4-20	1/4
3225020037	1/4	1/4-20	3/8
3225020050	1/4	1/4-20	1/2
3225020062	1/4	1/4-20	5/8
3225020075	1/4	1/4-20	3/4
3225020100	1/4	1/4-20	1
3225020125	1/4	1/4-20	1 1/4
3225020150	1/4	1/4-20	1 1/2
3225020200	1/4	1/4-20	2
3225020212	1/4	1/4-20	2 1/8
3225020225	1/4	1/4-20	2 1/4
3225020250	1/4	1/4-20	2 1/2
3225020275	1/4	1/4-20	2 3/4
3225020275FT	1/4	1/4-20	2 3/4
3225020300	1/4	1/4-20	3
3225020350	1/4	1/4-20	3 1/2
3225020400	1/4	1/4-20	4
3225020450	1/4	1/4-20	4 1/2
3225020500	1/4	1/4-20	5
3225020550	1/4	1/4-20	5 1/2
3225020600	1/4	1/4-20	6

PART NUMBER	SCREW SIZE	THREAD	LENGTH
3231218050	5/16	5/16-18	1/2
3231218075	5/16	5/16-18	3/4
3231218100	5/16	5/16-18	1
3231218125	5/16	5/16-18	1 1/4
3231218137	5/16	5/16-18	1 3/8
3231218150	5/16	5/16-18	1 1/2
3231218175	5/16	5/16-18	1 3/4
3231218200	5/16	5/16-18	2
3231218200FT	5/16	5/16-18	2
3231218250	5/16	5/16-18	2 1/2
3231218300	5/16	5/16-18	3
3231218350	5/16	5/16-18	3 1/2
3231218400	5/16	5/16-18	4
3231218450	5/16	5/16-18	4 1/2
3231218500	5/16	5/16-18	5
3231218550	5/16	5/16-18	5 1/2
3231218600	5/16	5/16-18	6
3231224050	5/16	5/16-24	1/2
3237516050	3/8	3/8-16	1/2
3237516075	3/8	3/8-16	3/4
3237516100	3/8	3/8-16	1

PART NUMBER	SCREW SIZE	THREAD	LENGTH
3237516125	3/8	3/8-16	1 1/4
3237516150	3/8	3/8-16	1 1/2
3237516200	3/8	3/8-16	2
3237516250	3/8	3/8-16	2 1/2
3237516300	3/8	3/8-16	3
3237516350	3/8	3/8-16	3 1/2
3237516400	3/8	3/8-16	4
3237516450	3/8	3/8-16	4 1/2
3237516500	3/8	3/8-16	5
3237516550	3/8	3/8-16	5 1/2
3237516600	3/8	3/8-16	6
3237524050	3/8	3/8-24	1/2
3250013050	1/2	1/2-13	1/2
3250013075	1/2	1/2-13	3/4
3250013087	1/2	1/2-13	7/8
3250013100	1/2	1/2-13	1
3250013125	1/2	1/2-13	1 1/4
3250013150	1/2	1/2-13	1 1/2
3250013200	1/2	1/2-13	2
3250013250	1/2	1/2-13	2 1/2
3250013300	1/2	1/2-13	3

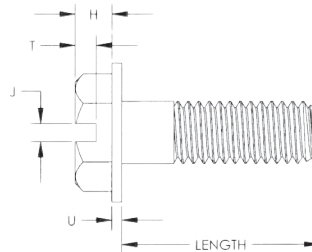
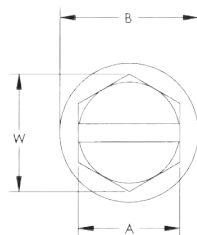
PART NUMBER	SCREW SIZE	THREAD	LENGTH
3250013350	1/2	1/2-13	3 1/2
3250013400	1/2	1/2-13	4
3250013450	1/2	1/2-13	4 1/2
3250013500	1/2	1/2-13	5
3250013550	1/2	1/2-13	5 1/2
3250013600	1/2	1/2-13	6
3262511050	5/8	5/8-11	1/2
3262511075	5/8	5/8-11	3/4
3262511100	5/8	5/8-11	1
3262511150FT	5/8	5/8-11	1 1/2
3262511200	5/8	5/8-11	2
3262511250	5/8	5/8-11	2 1/2
3262511300	5/8	5/8-11	3
3262511350	5/8	5/8-11	3 1/2
3262511400	5/8	5/8-11	4
3262511400FT	5/8	5/8-11	4
3262511450	5/8	5/8-11	4 1/2
3262511500	5/8	5/8-11	5
3262511550	5/8	5/8-11	5 1/2
3262511600	5/8	5/8-11	6

FT = FULL THREAD

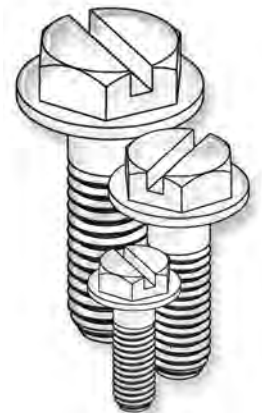
SLOTTED HEX WASHER CAP

Molded in Natural Nylon 6/6

PART NUMBER	SCREW SIZE	THREAD	LENGTH
32W37516050	3/8	3/8-16	1/2
32W37516075	3/8	3/8-16	3/4
32W37516100	3/8	3/8-16	1
32W37516125	3/8	3/8-16	1 1/4
32W37516150	3/8	3/8-16	1 1/2
32W37516200	3/8	3/8-16	2
32W37516250	3/8	3/8-16	2 1/2
32W37516300	3/8	3/8-16	3



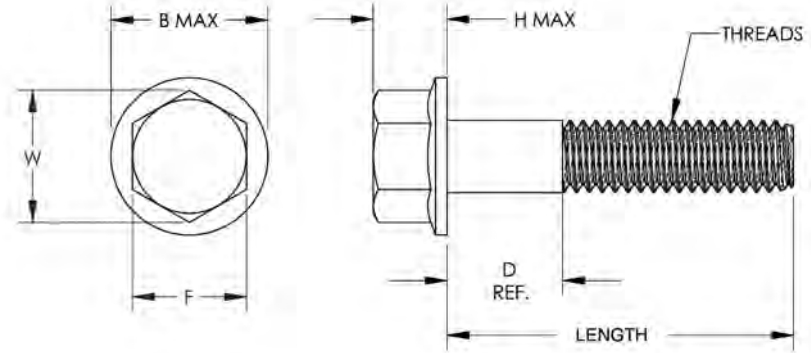
A	B	H	U	J	T	W
.558	.745	.282	.050	.070	.149	.620-.650



SCREWS, BOLTS, & THREADED ROD

SECTION

II



SCREW SIZE	F	W	B MAX	H MAX
1/4	.367-.375	.409-.433	.560	.280
5/16	.489-.500	.548-.577	.680	.320
3/8	.544-.562	.620-.650	.810	.390
1/2	.725-.750	.826-.866	1.070	.510
5/8	.906-.938	1.033-1.083	1.330	.620
3/4	1.088-1.125	1.240-1.299	1.590	.730

Also available in **GREY** - add **GY** to the end of the part number when ordering.

HEX FLANGE HEADSTYLE

Molded in **Natural 40% Glassfilled Polyurethane**

PART NUMBER	THREAD	LENGTH	D ref.
0325020037FXM225	1/4-20	3/8"	Full Thread
0325020050FXM225	1/4-20	1/2"	Full Thread
0325020062FXM225	1/4-20	5/8"	Full Thread
0325020075FXM225	1/4-20	3/4"	Full Thread
0325020087FXM225	1/4-20	7/8"	Full Thread
0325020100FXM225	1/4-20	1"	Full Thread
0325020125FXM225	1/4-20	1 1/4"	Full Thread
0325020137FXM225	1/4-20	1 3/8"	Full Thread
0325020150FXM225	1/4-20	1 1/2"	Full Thread
0331218100FXM225	5/16-18	1"	Full Thread
0331218150FXM225	5/16-18	1 1/2"	0.500
0331218200FXM225	5/16-18	2"	1.000
0337516050FXM225	3/8-16	1/2"	Full Thread
0337516062FXM225	3/8-16	5/8"	Full Thread
0337516075FXM225	3/8-16	3/4"	Full Thread
0337516087FXM225	3/8-16	7/8"	Full Thread
0337516100FXM225	3/8-16	1"	Full Thread
0337516125FXM225	3/8-16	1 1/4"	Full Thread
0337516150FXM225	3/8-16	1 1/2"	0.250
0337516162FXM225	3/8-16	1 5/8"	0.375
0337516175FXM225	3/8-16	1 3/4"	0.500
0337516200FXM225	3/8-16	2"	0.750
0337516225FXM225	3/8-16	2 1/4"	1.000
0337516250FXM225	3/8-16	2 1/2"	1.250
0337516300FXM225	3/8-16	3"	1.750

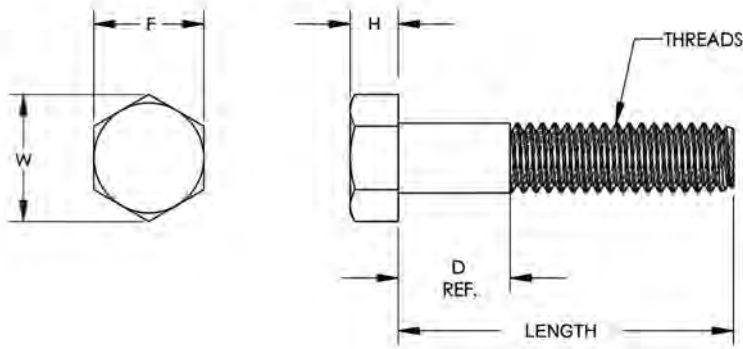
PART NUMBER	THREAD	LENGTH	D ref.
0337516325FXM225	3/8-16	3 1/4"	2.000
0337516350FXM225	3/8-16	3 1/2"	2.250
0337516375FXM225	3/8-16	3 3/4"	2.500
0337516400FXM225	3/8-16	4"	2.750
0337516425FXM225	3/8-16	4 1/4"	3.000
0337516450FXM225	3/8-16	4 1/2"	3.250
0350013075FXM225	1/2-13	3/4"	Full Thread
0350013087FXM225	1/2-13	7/8"	Full Thread
0350013100FXM225	1/2-13	1"	Full Thread
0350013125FXM225	1/2-13	1 1/4"	Full Thread
0350013137FXM225	1/2-13	1 3/8"	Full Thread
0350013150FXM225	1/2-13	1 1/2"	Full Thread
0350013162FXM225	1/2-13	1 5/8"	Full Thread
0350013175FXM225	1/2-13	1 3/4"	Full Thread
0350013187FXM225	1/2-13	1 7/8"	Full Thread
0350013200FXM225	1/2-13	2"	Full Thread
0350013225FXM225	1/2-13	2 1/4"	0.250
0350013237FXM225	1/2-13	2 3/8"	0.375
0350013250FXM225	1/2-13	2 1/2"	0.500
0350013262FXM225	1/2-13	2 5/8"	0.625
0350013275FXM225	1/2-13	2 3/4"	0.750
0350013300FXM225	1/2-13	3"	1.000
0350013325FXM225	1/2-13	3 1/4"	1.250
0350013337FXM225	1/2-13	3 3/8"	1.375
0350013350FXM225	1/2-13	3 1/2"	1.500

PART NUMBER	THREAD	LENGTH	D ref.
0350013375FXM225	1/2-13	3 3/4"	1.750
0350013400FXM225	1/2-13	4"	2.000
0350013450FXM225	1/2-13	4 1/2"	2.500
0350013500FXM225	1/2-13	5"	3.000
0350013550FXM225	1/2-13	5 1/2"	3.500
0350013600FXM225	1/2-13	6"	4.000
0362511150FXM225	5/8-11	1 1/2"	Full Thread
0362511200FXM225	5/8-11	2"	Full Thread
0362511250FXM225	5/8-11	2 1/2"	Full Thread
0362511300FXM225	5/8-11	3"	Full Thread
0362511350FXM225	5/8-11	3 1/2"	0.500
0362511400FXM225	5/8-11	4"	1.000
0362511500FXM225	5/8-11	5"	2.000
0362511550FXM225	5/8-11	5 1/2"	2.500
0362511600FXM225	5/8-11	6"	3.000
0375010150FXM225	3/4-10	1 1/2"	Full Thread
0375010200FXM225	3/4-10	2"	Full Thread
0375010250FXM225	3/4-10	2 1/2"	Full Thread
0375010300FXM225	3/4-10	3"	Full Thread
0375010350FXM225	3/4-10	3 1/2"	0.500
0375010400FXM225	3/4-10	4"	1.000
0375010500FXM225	3/4-10	5"	2.000
0375010550FXM225	3/4-10	5 1/2"	2.500
0375010600FXM225	3/4-10	6"	3.000

SCREWS, BOLTS, & THREADED ROD

SECTION

II



SCREW SIZE	F	W	H
1/4	.425-.438	.484-.505	.150-.188
5/16	.484-.500	.552-.577	.195-.235
3/8	.544-.562	.620-.650	.226-.268
1/2	.725-.750	.826-.866	.302-.364
5/8	.906-.938	1.033-1.083	.378-.444
3/4	1.088-1.125	1.240-1.299	.455-.524



Also available in **GREY** - add **GY** to the end of the part number when ordering.

HEX HEAD CAP HEADSTYLE **Molded in Natural 40% Glassfilled Polyurethane**

PART NUMBER	THREAD	LENGTH	D ref.
0325020037XM225	1/4-20	3/8"	Full Thread
0325020050XM225	1/4-20	1/2"	Full Thread
0325020062XM225	1/4-20	5/8"	Full Thread
0325020075XM225	1/4-20	3/4"	Full Thread
0325020087XM225	1/4-20	7/8"	Full Thread
0325020100XM225	1/4-20	1"	Full Thread
0325020125XM225	1/4-20	1 1/4"	Full Thread
0325020137XM225	1/4-20	1 3/8"	Full Thread
0325020150XM225	1/4-20	1 1/2"	Full Thread
0331218100XM225	5/16-18	1"	Full Thread
0331218150XM225	5/16-18	1 1/2"	0.500
0331218200XM225	5/16-18	2"	1.000
0337516050XM225	3/8-16	1/2"	Full Thread
0337516062XM225	3/8-16	5/8"	Full Thread
0337516075XM225	3/8-16	3/4"	Full Thread
0337516087XM225	3/8-16	7/8"	Full Thread
0337516100XM225	3/8-16	1"	Full Thread
0337516125XM225	3/8-16	1 1/4"	Full Thread
0337516150XM225	3/8-16	1 1/2"	0.250
0337516162XM225	3/8-16	1 5/8"	0.375
0337516175XM225	3/8-16	1 3/4"	0.500
0337516200XM225	3/8-16	2"	0.750
0337516225XM225	3/8-16	2 1/4"	1.000
0337516250XM225	3/8-16	2 1/2"	1.250
0337516300XM225	3/8-16	3"	1.750

PART NUMBER	THREAD	LENGTH	D ref.
0337516325XM225	3/8-16	3 1/4"	2.000
0337516350XM225	3/8-16	3 1/2"	2.250
0337516375XM225	3/8-16	3 3/4"	2.500
0337516400XM225	3/8-16	4"	2.750
0337516425XM225	3/8-16	4 1/4"	3.000
0337516450XM225	3/8-16	4 1/2"	3.250
0350013075XM225	1/2-13	3/4"	Full Thread
0350013087XM225	1/2-13	7/8"	Full Thread
0350013100XM225	1/2-13	1"	Full Thread
0350013125XM225	1/2-13	1 1/4"	Full Thread
0350013137XM225	1/2-13	1 3/8"	Full Thread
0350013150XM225	1/2-13	1 1/2"	Full Thread
0350013162XM225	1/2-13	1 5/8"	Full Thread
0350013175XM225	1/2-13	1 3/4"	Full Thread
0350013187XM225	1/2-13	1 7/8"	Full Thread
0350013200XM225	1/2-13	2"	Full Thread
0350013225XM225	1/2-13	2 1/4"	0.250
0350013237XM225	1/2-13	2 3/8"	0.375
0350013250XM225	1/2-13	2 1/2"	0.500
0350013262XM225	1/2-13	2 5/8"	0.625
0350013275XM225	1/2-13	2 3/4"	0.750
0350013300XM225	1/2-13	3"	1.000
0350013325XM225	1/2-13	3 1/4"	1.250
0350013337XM225	1/2-13	3 3/8"	1.375
0350013350XM225	1/2-13	3 1/2"	1.500

PART NUMBER	THREAD	LENGTH	D ref.
0350013375XM225	1/2-13	3 3/4"	1.750
0350013400XM225	1/2-13	4"	2.000
0350013450XM225	1/2-13	4 1/2"	2.500
0350013500XM225	1/2-13	5"	3.000
0350013550XM225	1/2-13	5 1/2"	3.500
0350013600XM225	1/2-13	6"	4.000
0362511150XM225	5/8-11	1 1/2"	Full Thread
0362511200XM225	5/8-11	2"	Full Thread
0362511250XM225	5/8-11	2 1/2"	Full Thread
0362511300XM225	5/8-11	3"	Full Thread
0362511350XM225	5/8-11	3 1/2"	0.500
0362511400XM225	5/8-11	4"	1.000
0362511500XM225	5/8-11	5"	2.000
0362511550XM225	5/8-11	5 1/2"	2.500
0362511600XM225	5/8-11	6"	3.000
0375010150XM225	3/4-10	1 1/2"	Full Thread
0375010200XM225	3/4-10	2"	Full Thread
0375010250XM225	3/4-10	2 1/2"	Full Thread
0375010300XM225	3/4-10	3"	Full Thread
0375010350XM225	3/4-10	3 1/2"	0.500
0375010400XM225	3/4-10	4"	1.000
0375010500XM225	3/4-10	5"	2.000
0375010550XM225	3/4-10	5 1/2"	2.500
0375010600XM225	3/4-10	6"	3.000

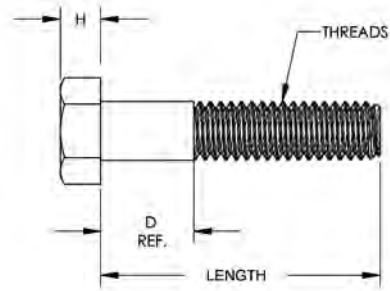
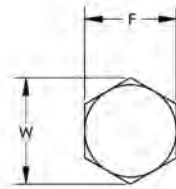
SCREWS, BOLTS, & THREADED ROD

SECTION

II

SPECIAL HEX BOLT Molded in Natural Nylon 6/6

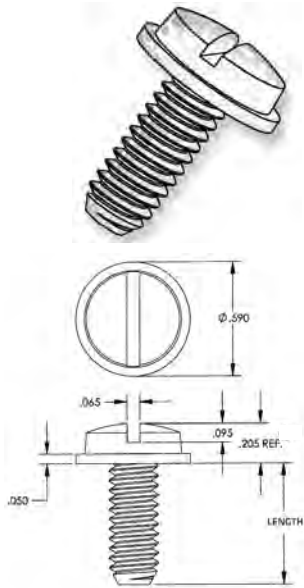
SCREW SIZE	F	W	H
5/8	.906-.938	1.033-1.083	.378-.444



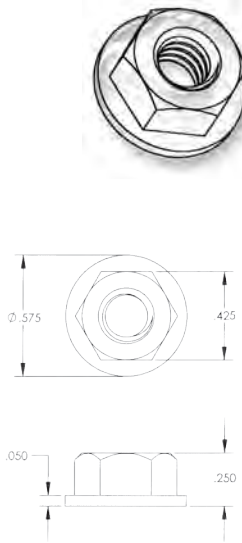
PART NUMBER	THREAD	LENGTH	D Ref.
0362511462S	5/8-11	4.625	.250
0362511625S	5/8-11	6.625	3.312
0362511700S	5/8-11	7.000	3.500
0362511800S	5/8-11	8.000	4.000

LICENSE PLATE FASTENERS Molded in Natural Nylon 6/6

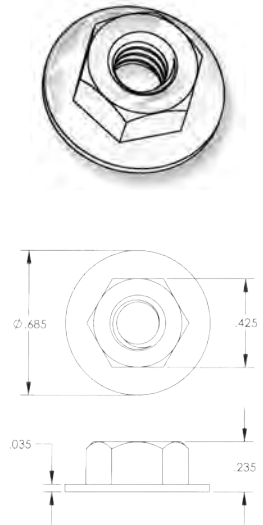
STANDARD



STANDARD BOLT



STANDARD NUT



SPEC. STANDARD NUT

PART NUMBER	SCREW SIZE	THREAD	LENGTH
012520LP062	1/4	1/4-20	5/8 Ref.

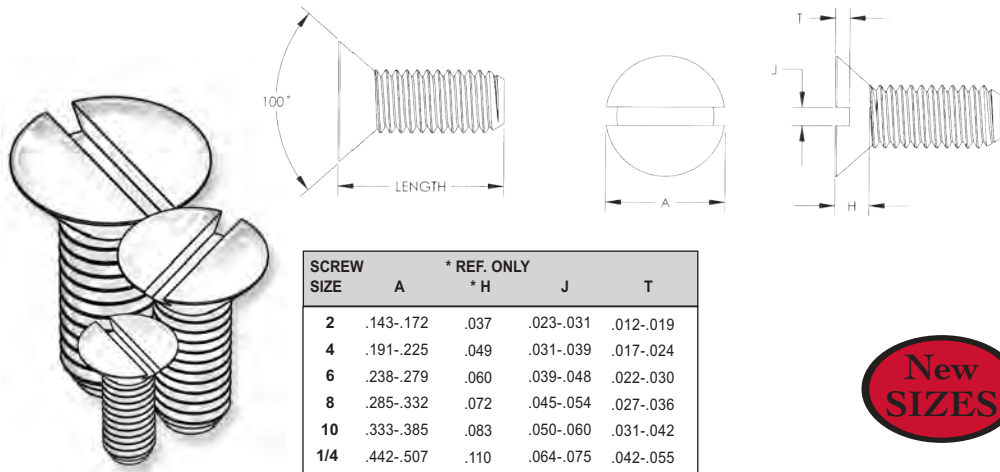
PART NUMBER	SCREW SIZE	THREAD
0425020LPN	1/4	1/4-20

PART NUMBER	SCREW SIZE	THREAD
0425020LPNS	1/4	1/4-20

SCREWS, BOLTS, & THREADED ROD

SECTION

II

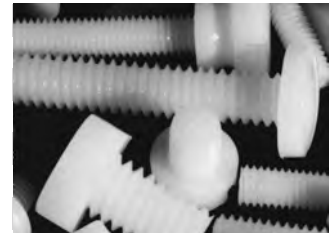


SCREW SIZE	A	* REF. ONLY		
		* H	J	T
2	.143-.172	.037	.023-.031	.012-.019
4	.191-.225	.049	.031-.039	.017-.024
6	.238-.279	.060	.039-.048	.022-.030
8	.285-.332	.072	.045-.054	.027-.036
10	.333-.385	.083	.050-.060	.031-.042
1/4	.442-.507	.110	.064-.075	.042-.055

100° FLAT HEADSTYLE

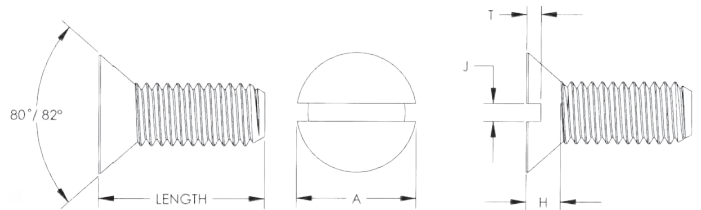
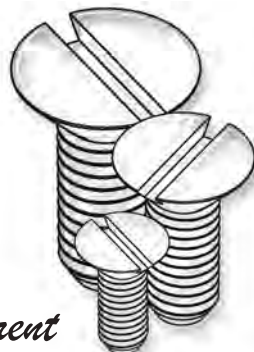
Molded in **Natural Nylon 6/6**

PART NUMBER	SCREW SIZE	THREAD	LENGTH	PART NUMBER	SCREW SIZE	THREAD	LENGTH	PART NUMBER	SCREW SIZE	THREAD	LENGTH	PART NUMBER	SCREW SIZE	THREAD	LENGTH
020256B009	2	256	3/32	020440B062	4	440	5/8	020832B062	8	832	5/8	021032B150	10	1032	1 1/2
020256B012	2	256	1/8	020440B075	4	440	3/4	020832B075	8	832	3/4	021032B200	10	1032	2
020256B018	2	256	3/16	020440B100	4	440	1	020832B100	8	832	1	022520B025	1/4	1/4-20	1/4
020256B025	2	256	1/4	020632B018	6	632	3/16	020832B125	8	832	1 1/4	022520B037	1/4	1/4-20	3/8
020256B031	2	256	5/16	020632B025	6	632	1/4	020832B150	8	832	1 1/2	022520B062	1/4	1/4-20	5/8
020256B037	2	256	3/8	020632B031	6	632	5/16	021024B025	10	1024	1/4	022520B075	1/4	1/4-20	3/4
020256B043	2	256	7/16	020632B037	6	632	3/8	021024B050	10	1024	1/2	022520B087	1/4	1/4-20	7/8
020256B050	2	256	1/2	020632B050	6	632	1/2	021024B075	10	1024	3/4	022520B100	1/4	1/4-20	1
020256B062	2	256	5/8	020632B062	6	632	5/8	021024B081	10	1024	13/16	022520B106	1/4	1/4-20	1-1/16
020256B075	2	256	3/4	020632B075	6	632	3/4	021024B100	10	1024	1	022520B112	1/4	1/4-20	1-1/8
020256B100	2	256	1	020632B100	6	632	1	021024B150	10	1024	1 1/2	022520B150	1/4	1/4-20	1-1/2
020440B018	4	440	3/16	020632B112	6	632	1 1/8	021032B025	10	1032	1/4	022520B200	1/4	1/4-20	2
020440B025	4	440	1/4	020632B150	6	632	1 1/2	021032B037	10	1032	3/8				
020440B028	4	440	9/32	020832B018	8	832	3/16	021032B050	10	1032	1/2				
020440B031	4	440	5/16	020832B025	8	832	1/4	021032B062	10	1032	5/8				
020440B037	4	440	3/8	020832B037	8	832	3/8	021032B068	10	1032	11/16				
020440B050	4	440	1/2	020832B050	8	832	1/2	021032B075	10	1032	3/4				
020440B053	4	440	17/32	020832B053	8	832	17/32	021032B100	10	1032	1				



82° FLAT HEADSTYLE Molded in **Transparent UL94V2 Polycarbonate**

SCREW SIZE	A	H *Ref. Only	J	T
2	.147-.172	.051	.023-.031	.015-.023
4	.195-.225	.067	.031-.039	.020-.030
6	.244-.279	.083	.039-.048	.024-.038
10	.340-.385	.116	.050-.060	.034-.053



PART NUMBER	SCREW SIZE	THREAD	LENGTH	MATERIAL
020256A012PC	2	256	1/8	POLYCARBONATE
020256A018PC	2	256	3/16	POLYCARBONATE
020256A025PC	2	256	1/4	POLYCARBONATE
020256A050PC	2	256	1/2	POLYCARBONATE
020256A037PC	2	256	3/8	POLYCARBONATE
020440A018PC	4	440	3/16	POLYCARBONATE
020632A025PC	6	632	1/4	POLYCARBONATE
021032A062PC	10	1032	5/8	POLYCARBONATE

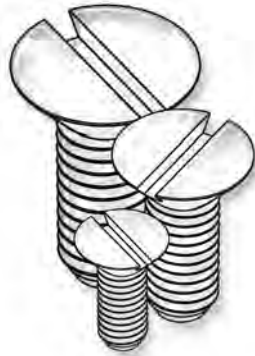
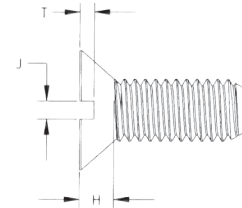
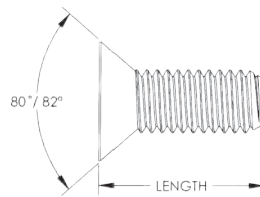


Transparent

SCREWS, BOLTS, & THREADED ROD

SECTION
II

METRIC Sizes
Also Available
Page 269



**New
SIZES**

SCREW SIZE	A	H *Ref. Only	J	T
0	.096-.112	.035	.016-.023	.010-.015
1	.126-.146	.043	.019-.026	.012-.019
2	.147-.172	.051	.023-.031	.015-.023
4	.195-.225	.067	.031-.039	.020-.030
6	.244-.279	.083	.039-.048	.024-.038
8	.292-.332	.100	.045-.054	.029-.045
10	.340-.385	.116	.050-.060	.034-.053
12	.389-.438	.132	.056-.067	.039-.060
1/4	.452-.507	.153	.064-.075	.046-.070
5/16	.568-.635	.191	.072-.084	.058-.088
3/8	.685-.762	.230	.081-.094	.070-.106

82° FLAT

HEADSTYLE

Molded in Natural Nylon 6/6

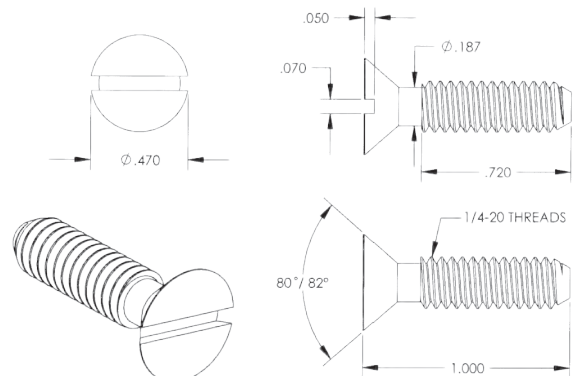
PART NUMBER	SCREW SIZE	THREAD	LENGTH	PART NUMBER	SCREW SIZE	THREAD	LENGTH	PART NUMBER	SCREW SIZE	THREAD	LENGTH	PART NUMBER	SCREW SIZE	THREAD	LENGTH
020080A012	0	0-80	1/8	020440A031	4	440	5/16	020632A125	6	632	1 1/4	021032A050	10	1032	1/2
020080A018	0	0-80	3/16	020440A037	4	440	3/8	020632A175	6	632	1 3/4	021032A062	10	1032	5/8
020080A025	0	0-80	1/4	020440A050	4	440	1/2	020632A200	6	632	2	021032A075	10	1032	3/4
020172A025	1	172	1/4	020440A056	4	440	9/16	020832A025	8	832	1/4	021032A087	10	1032	7/8
020172A031	1	172	5/16	020440A062	4	440	5/8	020832A031	8	832	5/16	021032A100	10	1032	1
020172A050	1	172	1/2	020440A075	4	440	3/4	020832A037	8	832	3/8	021032A125	10	1032	1 1/4
020256A009	2	256	3/32	020440A100	4	440	1	020832A043	8	832	7/16	021032A150	10	1032	1 1/2
020256A012	2	256	1/8	020440A112	4	440	1 1/8	020832A050	8	832	1/2	021032A200	10	1032	2
020256A018	2	256	3/16	020440A118	4	440	1 3/16	020832A056	8	832	9/16	022520A025	1/4	1/4-20	1/4
020256A025	2	256	1/4	020440A125	4	440	1 1/4	020832A062	8	832	5/8	022520A050	1/4	1/4-20	1/2
020256A031	2	256	5/16	020440A137	4	440	1 3/8	020832A075	8	832	3/4	022520A062	1/4	1/4-20	5/8
020256A037	2	256	3/8	020440A150	4	440	1 1/2	020832A100	8	832	1	022520A075	1/4	1/4-20	3/4
020256A043	2	256	7/16	020440A175	4	440	1 3/4	020832A125	8	832	1 1/4	022520A087	1/4	1/4-20	7/8
020256A050	2	256	1/2	020448A015	4	448	5/32	020832A150	8	832	1 1/2	022520A100	1/4	1/4-20	1
020256A056	2	256	9/16	020632A018	6	632	3/16	021024A025	10	1024	1/4	022520A125	1/4	1/4-20	1 1/4
020256A062	2	256	5/8	020632A025	6	632	1/4	021024A050	10	1024	1/2	022520A150	1/4	1/4-20	1 1/2
020256A075	2	256	3/4	020632A031	6	632	5/16	021024A062	10	1024	5/8	022520A175	1/4	1/4-20	1 3/4
020256A100	2	256	1	020632A037	6	632	3/8	021024A075	10	1024	3/4	022520A200	1/4	1/4-20	2
020440A012	4	440	1/8	020632A050	6	632	1/2	021024A100	10	1024	1	022520A250	1/4	1/4-20	2 1/2
020440A015	4	440	5/32	020632A062	6	632	5/8	021024A150	10	1024	1 1/2	0231218A100	5/16	5/16-18	1
020440A018	4	440	3/16	020632A075	6	632	3/4	021032A025	10	1032	1/4	0237516A175	3/8	3/8-16	1 3/4
020440A025	4	440	1/4	020632A100	6	632	1	021032A031	10	1032	5/16	0237516A200	3/8	3/8-16	2
020440A028	4	440	9/32	020632A112	6	632	1 1/8	021032A037	10	1032	3/8				

SPECIAL ITEM 82° FLAT

HEADSTYLE

Molded in Natural Nylon 6/6

PART NUMBER	SCREW SIZE	THREAD	LENGTH
401004	1/4	1/4-20	1



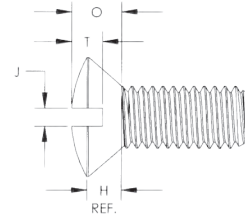
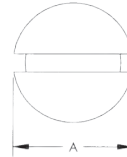
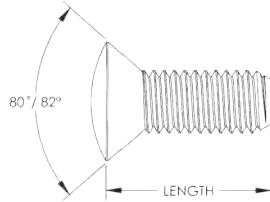
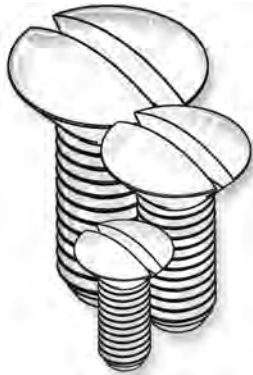
SCREWS, BOLTS, & THREADED ROD

SECTION

II

**METRIC Sizes
Also Available**

Page 263



SCREW SIZE	A	* REF. ONLY * H	O	J	T
2	.147-.172	.051	.063-.080	.023-.031	.037-.045
4	.195-.225	.067	.084-.104	.031-.039	.049-.059
6	.244-.279	.083	.105-.128	.039-.048	.060-.074
8	.292-.332	.100	.126-.152	.045-.054	.072-.088
10	.340-.385	.116	.148-.176	.050-.060	.084-.103
12	.389-.438	.132	.169-.200	.056-.067	.096-.117
1/4	.452-.507	.153	.197-.232	.064-.075	.112-.136

82° OVAL HEADSTYLE Molded in Natural Nylon 6/6

PART NUMBER	SCREW SIZE	THREAD	LENGTH
330256A018	2	256	3/16
330256A025	2	256	1/4
330256A031	2	256	5/16
330256A037	2	256	3/8
330256A043	2	256	7/16
330256A050	2	256	1/2
330256A056	2	256	9/16
330256A062	2	256	5/8
330256A075	2	256	3/4
330440A012	4	440	1/8
330440A015	4	440	5/32
330440A018	4	440	3/16
330440A025	4	440	1/4
330440A028	4	440	9/32
330440A031	4	440	5/16
330440A037	4	440	3/8
330440A050	4	440	1/2
330440A056	4	440	9/16
330440A062	4	440	5/8
330440A075	4	440	3/4
330440A100	4	440	1
330440A112	4	440	1 1/8

PART NUMBER	SCREW SIZE	THREAD	LENGTH
330440A118	4	440	1 3/16
330440A125	4	440	1 1/4
330440A137	4	440	1 3/8
330440A150	4	440	1 1/2
330440A175	4	440	1 3/4
330448A015	4	448	5/32
330448A025	4	448	1/4
330632A025	6	632	1/4
330632A031	6	632	5/16
330632A037	6	632	3/8
330632A050	6	632	1/2
330632A062	6	632	5/8
330632A075	6	632	3/4
330632A100	6	632	1
330632A112	6	632	1 1/8
330632A125	6	632	1 1/4
330632A175	6	632	1 3/4
330632A200	6	632	2
330832A025	8	832	1/4
330832A031	8	832	5/16
330832A037	8	832	3/8
330832A043	8	832	7/16

PART NUMBER	SCREW SIZE	THREAD	LENGTH
330832A050	8	832	1/2
330832A056	8	832	9/16
330832A062	8	832	5/8
330832A075	8	832	3/4
330832A100	8	832	1
330832A125	8	832	1 1/4
331024A050	10	1024	1/2
331024A075	10	1024	3/4
331024A100	10	1024	1
331024A125	10	1024	1 1/4
331032A025	10	1032	1/4
331032A031	10	1032	5/16
331032A037	10	1032	3/8
331032A050	10	1032	1/2
331032A075	10	1032	3/4
331032A087	10	1032	7/8
331032A100	10	1032	1
331032A125	10	1032	1 1/4
331032A150	10	1032	1 1/2
332520A025	1/4	1/4-20	1/4
332520A050	1/4	1/4-20	1/2
332520A062	1/4	1/4-20	5/8

PART NUMBER	SCREW SIZE	THREAD	LENGTH
332520A075	1/4	1/4-20	3/4
332520A087	1/4	1/4-20	7/8
332520A100	1/4	1/4-20	1
332520A125	1/4	1/4-20	1 1/4
332520A150	1/4	1/4-20	1 1/2
332520A175	1/4	1/4-20	1 3/4
332520A200	1/4	1/4-20	2
332520A250	1/4	1/4-20	2 1/2



SCREWS, BOLTS, & THREADED ROD

SECTION

II

THREADED ROD

This versatile threaded rod stock is easily cut to size, resistant to most chemicals, electrically insulating, non-magnetic, lightweight, low thermal conductivity, vibration and abrasion resistant.

Stock length is 2 feet. Longer lengths up to 8 feet available on special order.

We can cut to your length requirement with a nominal cutting charge.

Other plastic materials can be furnished on special order.

Request quote.

**METRIC Sizes
Also Available**

Page 272

PVC (Polyvinyl Chloride) is an amorphous thermo-plastic material with excellent chemical resistance and dielectric properties. Good tensile, flexural and mechanical strength, low moisture absorption, exceptional dimensional stability and good flammability characteristics. Maximum service temperature 140° F. PVC has a good high strength to weight ratio. Rated UL94VO. Dark gray color. Stock lengths; 2 FT, 4 FT, 6 FT, and 8 FT. Special lengths can be cut to your length requirement for a nominal cutting charge. Please request quote.



PVC THREADED RODS

Molded in Natural PVC

PART NUMBER	SCREW SIZE	THREAD
3800440TRPVC	4	440
3800632TRPVC	6	632
3800832TRPVC	8	832
3801024TRPVC	10	1024
3801032TRPVC	10	1032
3825020TRPVC	1/4	1/4-20
3831218TRPVC	5/16	5/16-18
3837516TRPVC	3/8	3/8-16
3850013TRPVC	1/2	1/2-13
3862511TRPVC	5/8	5/8-11
3875010TRPVC	3/4	3/4-10
3887509TRPVC	7/8	7/8-9
3810008TRPVC	1	1-8

NYLON THREADED RODS

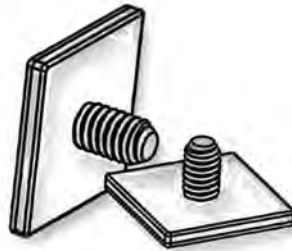
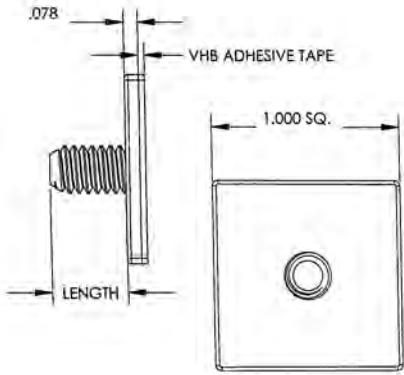
Molded in Natural Nylon 6/6

PART NUMBER	SCREW SIZE	THREAD
3800440TR	4	440
3800632TR	6	632
3800832TR	8	832
3801024TR	10	1024
* 3801032TR	10	1032
* 3825020TR	1/4	1/4-20
* 3831218TR	5/16	5/16-18
* 3837516TR	3/8	3/8-16
* 3850013TR	1/2	1/2-13
3862511TR	5/8	5/8-11
3875010TR	3/4	3/4-10
3887509TR	7/8	7/8-9
3810008TR	1	1-8

* These sizes are available in natural Acetal material, contact sales for price.

SQUARE BASE WITH THREADED STUD **Molded in Natural Nylon 6/6**

Micro Plastics' nylon base with threaded stud has very high bond (VHB) white closed cell acrylic foam carrier with all purpose acrylic adhesive. Shear and peel strength is very high and material has very good solvent resistance. Acrylic adhesive has fair initial adhesion with gradual adhesion build up over 72 hours. Surface must be unified, dry, and free of contamination. Firm pressure must be applied to increase the cold flow and contact of the adhesive with the substrate. Parts can be purchased **without VHB adhesive foam**, just add **WOAF** to the end of part number.



PART NUMBER	SCREW SIZE	THREAD	LENGTH
011032ABTS050	10	1032	1/2
011032ABTS075	10	1032	3/4
011032ABTS100	10	1032	1
012520ABTS050	1/4	1/4-20	1/2
012520ABTS075	1/4	1/4-20	3/4
012520ABTS100	1/4	1/4-20	1
013118ABTS050	5/16	5/16-18	1/2
013118ABTS075	5/16	5/16-18	3/4
013118ABTS100	5/16	5/16-18	1

THREADED STUDS **Molded in Natural Nylon 6/6**

Injection molded threaded studs with chamfer on both ends are available in several of the most popular sizes and lengths. Threaded studs are molded in natural Nylon 6/6 UL 94V2. These studs are resistant to most chemicals, electrically insulating, non magnetic, lightweight, low thermal conductivity, vibration and abrasion resistant.



PART NUMBER	SCREW SIZE	THREAD	LENGTH
3801032075SD	10	10-32	3/4
3801032100SD	10	10-32	1
3801032150SD	10	10-32	1 1/2
3801032200SD	10	10-32	2
3801032250SD	10	10-32	2 1/2
3825020075SD	1/4	1/4-20	3/4
3825020100SD	1/4	1/4-20	1
3825020150SD	1/4	1/4-20	1 1/2
3825020200SD	1/4	1/4-20	2
3825020250SD	1/4	1/4-20	2 1/2
3825020300SD	1/4	1/4-20	3
3831218100SD	5/16	5/16-18	1
3831218150SD	5/16	5/16-18	1 1/2
3831218200SD	5/16	5/16-18	2
3831218250SD	5/16	5/16-18	2 1/2
3831218300SD	5/16	5/16-18	3
3837516100SD	3/8	3/8-16	1
3837516150SD	3/8	3/8-16	1 1/2
3837516200SD	3/8	3/8-16	2
3837516250SD	3/8	3/8-16	2 1/2
3837516300SD	3/8	3/8-16	3
3837516400SD	3/8	3/8-16	4
3850013150SD	1/2	1/2-13	1 1/2
3850013200SD	1/2	1/2-13	2
3850013250SD	1/2	1/2-13	2 1/2
3850013300SD	1/2	1/2-13	3
3850013400SD	1/2	1/2-13	4
3850013500SD	1/2	1/2-13	5

SCREWS, BOLTS, & THREADED ROD

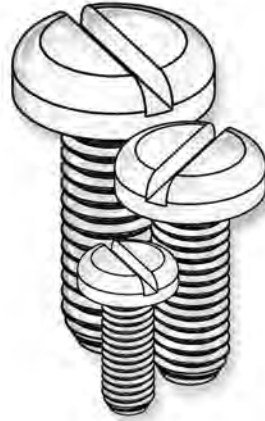
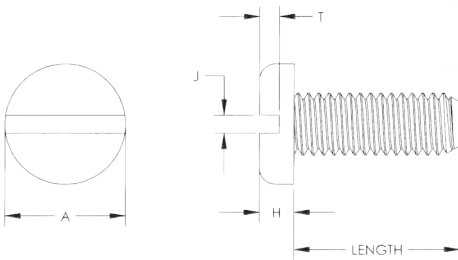
SECTION

II

Polycarbonate is one of the toughest, most dimensionally stable thermoplastics over a wide temperature range. It has an exceptionally high impact strength and is unaffected by water below 140° F. **Polycarbonate** is unaffected by greases, oils, detergents, aliphatic hydrocarbons, most mineral acids, and the higher alcohols. It is attacked by chlorinated hydrocarbons and most aromatic solvents, ester, and ketone. **Polycarbonate** has white water transparency with a 90° light transmission. Melting Point 309 °F per ASTM D789. Underwriters Lab rating UL94V2

PAN SLOTTED HEADSTYLE **Molded in Transparent UL94V2 Polycarbonate**

SCREW SIZE	A	H	J	T
4	.205-.219	.058-.068	.031-.039	.030-.040
6	.256-.270	.072-.082	.039-.048	.037-.050
8	.306-.322	.085-.096	.045-.054	.045-.058
10	.357-.373	.099-.110	.050-.060	.053-.068



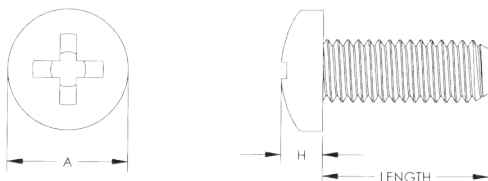
Transparent

PART NUMBER	SCREW SIZE	THREAD	LENGTH	MATERIAL
010440P025PC	4	440	1/4	POLYCARBONATE
010440P028PC	4	440	9/32	POLYCARBONATE
010440P037PC	4	440	3/8	POLYCARBONATE
010440P050PC	4	440	1/2	POLYCARBONATE
010632P025PC	6	632	1/4	POLYCARBONATE
010632P037PC	6	632	3/8	POLYCARBONATE
010632P050PC	6	632	1/2	POLYCARBONATE
010632P062PC	6	632	5/8	POLYCARBONATE
010632P075PC	6	632	3/4	POLYCARBONATE
010832P012PC	8	832	1/8	POLYCARBONATE
010832P025PC	8	832	1/4	POLYCARBONATE
010832P037PC	8	832	3/8	POLYCARBONATE
010832P050PC	8	832	1/2	POLYCARBONATE
010832P062PC	8	832	5/8	POLYCARBONATE
010832P075PC	8	832	3/4	POLYCARBONATE
011032P025PC	10	1032	1/4	POLYCARBONATE
011032P037PC	10	1032	3/8	POLYCARBONATE
011032P050PC	10	1032	1/2	POLYCARBONATE
011032P062PC	10	1032	5/8	POLYCARBONATE
011032P075PC	10	1032	3/4	POLYCARBONATE
011032P100PC	10	1032	1	POLYCARBONATE

PAN PHILLIPS HEADSTYLE **Molded in Transparent UL94V2**

New SIZES

SCREW SIZE	A	H
2	.155-.167	.053-.062
4	.205-.219	.070-.080
6	.256-.270	.087-.097
8	.306-.322	.105-.115
10	.357-.373	.122-.133



Transparent

PART NUMBER	SCREW SIZE	THREAD	LENGTH	MATERIAL
010256W012PC	2	256	1/8	POLYCARBONATE
010256W018PC	2	256	3/16	POLYCARBONATE
010256W025PC	2	256	1/4	POLYCARBONATE
010256W037PC	2	256	3/8	POLYCARBONATE
010256W050PC	2	256	1/2	POLYCARBONATE
010440W018PC	4	440	3/16	POLYCARBONATE
010440W025PC	4	440	1/4	POLYCARBONATE
010440W028PC	4	440	9/32	POLYCARBONATE
010440W037PC	4	440	3/8	POLYCARBONATE
010440W050PC	4	440	1/2	POLYCARBONATE
010632W025PC	6	632	1/4	POLYCARBONATE
010632W037PC	6	632	3/8	POLYCARBONATE
010632W050PC	6	632	1/2	POLYCARBONATE
010632W062PC	6	632	5/8	POLYCARBONATE
010632W075PC	6	632	3/4	POLYCARBONATE
010832W012PC	8	832	1/8	POLYCARBONATE
010832W025PC	8	832	1/4	POLYCARBONATE
010832W037PC	8	832	3/8	POLYCARBONATE
010832W050PC	8	832	1/2	POLYCARBONATE
010832W062PC	8	832	5/8	POLYCARBONATE
010832W075PC	8	832	3/4	POLYCARBONATE
011032W025PC	10	1032	1/4	POLYCARBONATE
011032W037PC	10	1032	3/8	POLYCARBONATE
011032W050PC	10	1032	1/2	POLYCARBONATE
011032W062PC	10	1032	5/8	POLYCARBONATE
011032W075PC	10	1032	3/4	POLYCARBONATE
011032W100PC	10	1032	1	POLYCARBONATE

SCREWS, BOLTS, & THREADED ROD

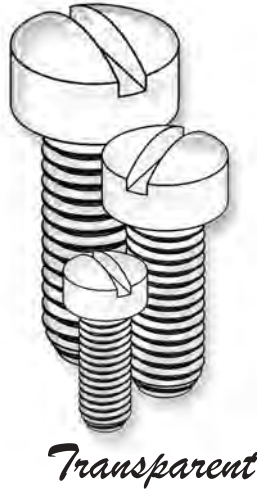
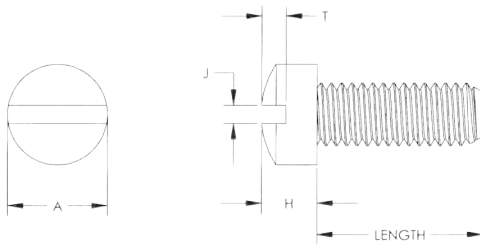
SECTION

II

Polycarbonate is one of the toughest, most dimensionally stable thermoplastics over a wide temperature range. It has an exceptionally high impact strength and is unaffected by water below 140° F. **Polycarbonate** is unaffected by greases, oils, detergents, aliphatic hydrocarbons, most mineral acids, and the higher alcohols. It is attacked by chlorinated hydrocarbons and most aromatic solvents, ester, and ketone. **Polycarbonate** has white water transparency with a 90° light transmission. Melting Point 309 °F per ASTM D789. Underwriters Lab rating UL94V2

FILLISTER SLOTTED HEADSTYLE **Molded in Transparent UL94V2 Polycarbonate**

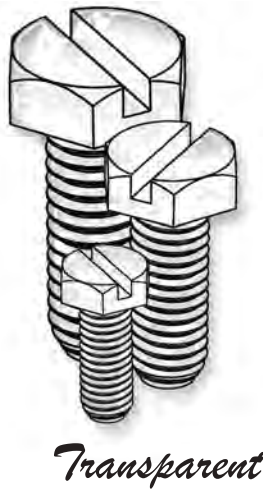
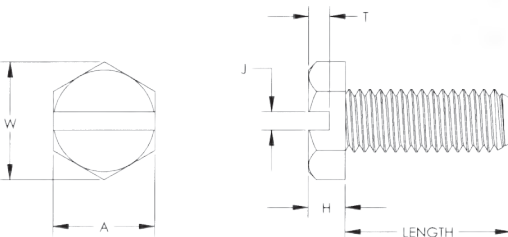
SCREW SIZE	A	H	J	T
4	.166-.183	.088-.107	.031-.039	.035-.048
6	.208-.226	.111-.132	.039-.048	.045-.060
8	.250-.270	.133-.156	.045-.054	.054-.071
10	.292-.313	.156-.180	.050-.060	.064-.083



PART NUMBER	SCREW SIZE	THREAD	LENGTH	MATERIAL
010440F025PC	4	440	1/4	POLYCARBONATE
010440F028PC	4	440	9/32	POLYCARBONATE
010440F037PC	4	440	3/8	POLYCARBONATE
010440F050PC	4	440	1/2	POLYCARBONATE
010632F025PC	6	632	1/4	POLYCARBONATE
010632F037PC	6	632	3/8	POLYCARBONATE
010632F050PC	6	632	1/2	POLYCARBONATE
010632F062PC	6	632	5/8	POLYCARBONATE
010632F075PC	6	632	3/4	POLYCARBONATE
010832F012PC	8	832	1/8	POLYCARBONATE
010832F025PC	8	832	1/4	POLYCARBONATE
010832F037PC	8	832	3/8	POLYCARBONATE
010832F050PC	8	832	1/2	POLYCARBONATE
010832F062PC	8	832	5/8	POLYCARBONATE
010832F075PC	8	832	3/4	POLYCARBONATE
011032F025PC	10	1032	1/4	POLYCARBONATE
011032F037PC	10	1032	3/8	POLYCARBONATE
011032F050PC	10	1032	1/2	POLYCARBONATE
011032F062PC	10	1032	5/8	POLYCARBONATE
011032F075PC	10	1032	3/4	POLYCARBONATE
011032F100PC	10	1032	1	POLYCARBONATE

HEX SLOTTED HEADSTYLE **Molded in Transparent UL94V2 Polycarbonate**

SCREW SIZE	A	W	H	J	T
4	.181/.188	.202 MIN	.049/.060	.031/.039	.025-.036
6	.244-.250	.272 MIN	.080-.093	.039-.048	.033-.046
8	.244-.250	.272 MIN	.096-.110	.045-.054	.052-.066
10	.305-.312	.340 MIN	.105-.120	.050-.060	.057-.072



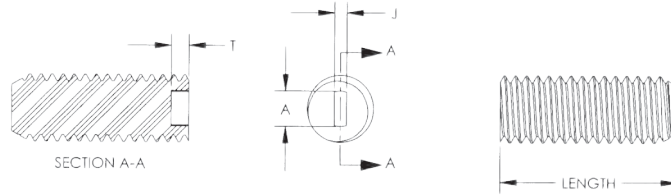
PART NUMBER	SCREW SIZE	THREAD	LENGTH	MATERIAL
010440X025PC	4	440	1/4	POLYCARBONATE
010440X028PC	4	440	9/32	POLYCARBONATE
010440X037PC	4	440	3/8	POLYCARBONATE
010440X050PC	4	440	1/2	POLYCARBONATE
010632X025PC	6	632	1/4	POLYCARBONATE
010632X037PC	6	632	3/8	POLYCARBONATE
010632X050PC	6	632	1/2	POLYCARBONATE
010632X062PC	6	632	5/8	POLYCARBONATE
010632X075PC	6	632	3/4	POLYCARBONATE
010832X012PC	8	832	1/8	POLYCARBONATE
010832X025PC	8	832	1/4	POLYCARBONATE
010832X037PC	8	832	3/8	POLYCARBONATE
010832X050PC	8	832	1/2	POLYCARBONATE
010832X062PC	8	832	5/8	POLYCARBONATE
010832X075PC	8	832	3/4	POLYCARBONATE
011032X025PC	10	1032	1/4	POLYCARBONATE
011032X037PC	10	1032	3/8	POLYCARBONATE
011032X050PC	10	1032	1/2	POLYCARBONATE
011032X062PC	10	1032	5/8	POLYCARBONATE
011032X075PC	10	1032	3/4	POLYCARBONATE
011032X100PC	10	1032	1	POLYCARBONATE

SCREWS, BOLTS, & THREADED ROD

SECTION

II

**METRIC Sizes
Also Available**
Page 270



GRUB SLOTTED HEADSTYLE

Molded in Natural Nylon 6/6

SCREW SIZE	T	A	J
6	.030	.080	.025
8	.035	.080	.028
10	.050	.130	.035
1/4	.060	.160	.040
5/16	.085	.200	.057
3/8	.100	.264	.064
1/2	.130	.350	.075
5/8	.160	.460	.096
1	.178	.516	.115

PART NUMBER	SCREW SIZE	THREAD	LENGTH
010632G009	6	632	3/32
010632G012	6	632	1/8
010632G015	6	632	5/32
010632G018	6	632	3/16
010632G025	6	632	1/4
010632G031	6	632	5/16
010632G037	6	632	3/8
010632G043	6	632	7/16
010632G050	6	632	1/2
010632G056	6	632	9/16
010632G062	6	632	5/8
010632G068	6	632	11/16
010632G075	6	632	3/4
010632G087	6	632	7/8
010632G100	6	632	1
010632G112	6	632	1 1/8
010632G125	6	632	1 1/4
010632G150	6	632	1 1/2
010632G162	6	632	1 5/8
010632G175	6	632	1 3/4
010632G187	6	632	1 7/8
010640G025	6	640	1/4
010640G037	6	640	3/8
010640G075	6	640	3/4
010640G100	6	640	1
010832G012	8	832	1/8
010832G018	8	832	3/16
010832G025	8	832	1/4
010832G028	8	832	9/32
010832G031	8	832	5/16
010832G037	8	832	3/8
010832G043	8	832	7/16
010832G050	8	832	1/2
010832G062	8	832	5/8
010832G075	8	832	3/4
010832G087	8	832	7/8

PART NUMBER	SCREW SIZE	THREAD	LENGTH
010832G100	8	832	1
010832G112	8	832	1 1/8
010832G125	8	832	1 1/4
010832G137	8	832	1 3/8
010832G150	8	832	1 1/2
010832G175	8	832	1 3/4
010832G187	8	832	1 7/8
010832G200	8	832	2
011024G012	10	1024	1/8
011024G018	10	1024	3/16
011024G025	10	1024	1/4
011024G031	10	1024	5/16
011024G037	10	1024	3/8
011024G050	10	1024	1/2
011024G062	10	1024	5/8
011024G075	10	1024	3/4
011024G100	10	1024	1
011024G125	10	1024	1 1/4
011024G150	10	1024	1 1/2
011032G012	10	1032	1/8
011032G018	10	1032	3/16
011032G025	10	1032	1/4
011032G031	10	1032	5/16
011032G037	10	1032	3/8
011032G043	10	1032	7/16
011032G050	10	1032	1/2
011032G062	10	1032	5/8
011032G075	10	1032	3/4
011032G081	10	1032	13/16
011032G087	10	1032	7/8
011032G100	10	1032	1
011032G125	10	1032	1 1/4
011032G150	10	1032	1 1/2
011032G175	10	1032	1 3/4
011032G200	10	1032	2
012520G025	1/4	1/4-20	1/4

PART NUMBER	SCREW SIZE	THREAD	LENGTH
012520G031	1/4	1/4-20	5/16
012520G037	1/4	1/4-20	3/8
012520G050	1/4	1/4-20	1/2
012520G062	1/4	1/4-20	5/8
012520G075	1/4	1/4-20	3/4
012520G087	1/4	1/4-20	7/8
012520G100	1/4	1/4-20	1
012520G125	1/4	1/4-20	1 1/4
012520G150	1/4	1/4-20	1 1/2
012520G175	1/4	1/4-20	1 3/4
012520G200	1/4	1/4-20	2
012520G250	1/4	1/4-20	2 1/2
012528G018	1/4	1/4-28	3/16
012528G025	1/4	1/4-28	1/4
012528G037	1/4	1/4-28	3/8
012528G062	1/4	1/4-28	5/8
012528G075	1/4	1/4-28	3/4

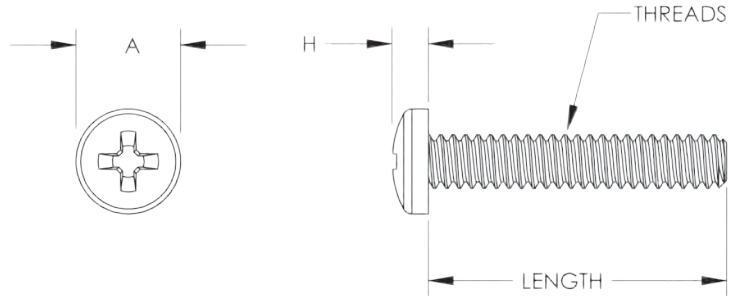
PART NUMBER	SCREW SIZE	THREAD	LENGTH
012528G100	1/4	1/4-28	1
0131218G050	5/16	5/16-18	1/2
0131218G075	5/16	5/16-18	3/4
0131218G100	5/16	5/16-18	1
0137516G050	3/8	3/8-16	1/2
0137516G075	3/8	3/8-16	3/4
0137516G100	3/8	3/8-16	1
0137524G050	3/8	3/8-24	1/2
0150013G050	1/2	1/2-13	1/2
0150013G075	1/2	1/2-13	3/4
0150013G100	1/2	1/2-13	1
0162511G050	5/8	5/8-11	1/2
0162511G075	5/8	5/8-11	3/4
0162511G100	5/8	5/8-11	1
0162511G150	5/8	5/8-11	1 1/2
0110008G062	1	1-8	5/8



SCREWS, BOLTS, & THREADED ROD

SECTION

II



**New
SIZES**

SCREW SIZE	A	H
0	.104-.115	.039
2	.155/.166	.055
6	.256/.270	.092
8	.306/.322	.110
10	.357/.373	.150
1/4	.473/.4920	.198

SPECIAL PHILLIPS PAN HEADSTYLE

Molded in **Natural Nylon 6/6**

PART NUMBER	SCREW SIZE	THREAD	LENGTH
010080PW012	0	0-80	1/8
010080PW018	0	0-80	3/16
010080PW025	0	0-80	1/4
010256PW009	2	256	3/32
010632PW009	6	632	3/32
010632PW012	6	632	1/8
010632PW015	6	632	5/32
010632PW018	6	632	3/16
010632PW025	6	632	1/4
010632PW031	6	632	5/16
010632PW037	6	632	3/8
010632PW043	6	632	7/16
010632PW050	6	632	1/2
010632PW056	6	632	9/16
010632PW062	6	632	5/8
010632PW068	6	632	11/16
010632PW075	6	632	3/4
010632PW087	6	632	7/8
010632PW100	6	632	1
010632PW112	6	632	1 1/8
010632PW125	6	632	1 1/4
010632PW150	6	632	1 1/2
010632PW162	6	632	1 5/8
010632PW175	6	632	1 3/4
001632PW187	6	632	1 7/8
010632PW200	6	632	2
010632PW225	6	632	2 1/4

PART NUMBER	SCREW SIZE	THREAD	LENGTH
010640PW025	6	640	1/4
010640PW037	6	640	3/8
010640PW075	6	640	3/4
010640PW100	6	640	1
010832PW012	8	832	1/8
010832PW018	8	832	3/16
010832PW025	8	832	1/4
010832PW028	8	832	9/32
010832PW031	8	832	5/16
010832PW037	8	832	3/8
010832PW043	8	832	7/16
010832PW050	8	832	1/2
010832PW062	8	832	5/8
010832PW075	8	832	3/4
010832PW087	8	832	7/8
010832PW100	8	832	1
010832PW112	8	832	1 1/8
010832PW125	8	832	1 1/4
010832PW137	8	832	1 3/8
010832PW150	8	832	1 1/2
010832PW165	8	832	1 21/32
010832PW175	8	832	1 3/4
010832PW187	8	832	1 7/8
010832PW200	8	832	2
010832PW229	8	832	2 19/64
011024PW012	10	1024	1/8
011024PW018	10	1024	3/16

PART NUMBER	SCREW SIZE	THREAD	LENGTH
011024PW025	10	1024	1/4
011024PW031	10	1024	5/16
011024PW037	10	1024	3/8
011024PW050	10	1024	1/2
011024PW062	10	1024	5/8
011024PW075	10	1024	3/4
011024PW100	10	1024	1
011024PW125	10	1024	1 1/4
011024PW150	10	1024	1 1/2
011024PW225	10	1024	2 1/4
011032PW012	10	1032	1/8
011032PW018	10	1032	3/16
011032PW025	10	1032	1/4
011032PW031	10	1032	5/16
011032PW037	10	1032	3/8
011032PW043	10	1032	7/16
011032PW050	10	1032	1/2
011032PW062	10	1032	5/8
011032PW075	10	1032	3/4
011032PW081	10	1032	13/16
011032PW087	10	1032	7/8
011032PW100	10	1032	1
011032PW106	10	1032	1 1/16
011032PW125	10	1032	1 1/4
011032PW150	10	1032	1 1/2
011032PW175	10	1032	1 3/4
011032PW200	10	1032	2

PART NUMBER	SCREW SIZE	THREAD	LENGTH
012520PW025	1/4	1/4-20	1/4
012520PW031	1/4	1/4-20	5/16
012520PW037	1/4	1/4-20	3/8
012520PW050	1/4	1/4-20	1/2
012520PW062	1/4	1/4-20	5/8
012520PW075	1/4	1/4-20	3/4
012520PW087	1/4	1/4-20	7/8
012520PW100	1/4	1/4-20	1
012520PW125	1/4	1/4-20	1 1/4
012520PW150	1/4	1/4-20	1 1/2
012520PW175	1/4	1/4-20	1 3/4
012520PW200	1/4	1/4-20	2
012520PW250	1/4	1/4-20	2 1/2
012520PW300	1/4	1/4-20	3
012528PW018	1/4	1/4-28	3/16
012528PW025	1/4	1/4-28	1/4
012528PW037	1/4	1/4-28	3/8
012528PW043	1/4	1/4-28	7/16
012528PW050	1/4	1/4-28	1/2
012528PW062	1/4	1/4-28	5/8
012528PW075	1/4	1/4-28	3/4
012528PW100	1/4	1/4-28	1

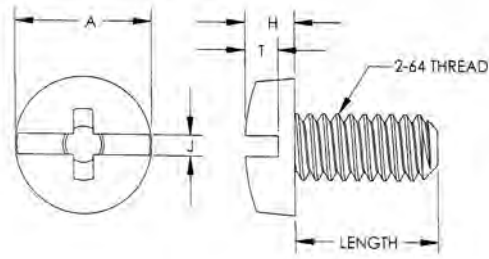


SCREWS, BOLTS, & THREADED ROD

SECTION

II

NOTE: Head Height may be larger than standard binder headstyle.



SCREW SIZE	A	H	J	T	DRIVE SIZE
2	.171-.181	.066-.072	.023-.031	.040-.046	#0
4	.223-.235	.071-.077	.031-.039	.042-.048	#1
6	.275-.290	.091-.097	.039-.048	.052-.059	#2
8	.326-.344	.095-.105	.045-.054	.050-.065	#2
10	.378-.399	.112-.123	.050-.060	.060-.077	#2
1/4	.498-.525	.152-.165	.064-.075	.084-.105	#3

BINDER COMBINATION HEADSTYLE

Molded in Natural Nylon 6/6

PART NUMBER	SCREW SIZE	THREAD	LENGTH
010256CD009	2	256	3/32
010256CD012	2	256	1/8
010256CD015	2	256	5/32
010256CD018	2	256	3/16
010256CD025	2	256	1/4
010256CD028	2	256	9/32
010256CD031	2	256	5/16
010256CD037	2	256	3/8
010256CD039	2	256	25/64
010256CD043	2	256	7/16
010256CD050	2	256	1/2
010256CD056	2	256	9/16
010256CD062	2	256	5/8
010256CD075	2	256	3/4
010256CD087	2	256	7/8
010256CD100	2	256	1
010256CD112	2	256	1 1/8
010264CD018	2	264	3/16
010264CD037	2	264	3/8
010440CD009	4	440	3/32
010440CD012	4	440	1/8
010440CD014	4	440	9/64
010440CD018	4	440	3/16
010440CD025	4	440	1/4
010440CD028	4	440	9/32
010440CD031	4	440	5/16
010440CD037	4	440	3/8
010440CD043	4	440	7/16
010440CD050	4	440	1/2
010440CD056	4	440	9/16
010440CD062	4	440	5/8
010440CD068	4	440	11/16
010440CD075	4	440	3/4
010440CD087	4	440	7/8
010440CD100	4	440	1
010440CD112	4	440	1 1/8
010440CD118	4	440	1 3/16
010440CD125	4	440	1 1/4
010440CD137	4	440	1 3/8

PART NUMBER	SCREW SIZE	THREAD	LENGTH
010440CD150	4	440	1 1/2
010440CD162	4	440	1 5/8
010440CD175	4	440	1 3/4
010632CD009	6	632	3/32
010632CD012	6	632	1/8
010632CD015	6	632	5/32
010632CD018	6	632	3/16
010632CD025	6	632	1/4
010632CD031	6	632	5/16
010632CD037	6	632	3/8
010632CD043	6	632	7/16
010632CD050	6	632	1/2
010632CD056	6	632	9/16
010632CD062	6	632	5/8
010632CD068	6	632	11/16
010632CD075	6	632	3/4
010632CD087	6	632	7/8
010632CD100	6	632	1
010632CD112	6	632	1 1/8
010632CD125	6	632	1 1/4
010632CD150	6	632	1 1/2
010632CD162	6	632	1 5/8
010632CD175	6	632	1 3/4
010632CD187	6	632	1 7/8
010632CD200	6	632	2
010632CD225	6	632	2 1/4
010832CD012	8	832	1/8
010832CD018	8	832	3/16
010832CD025	8	832	1/4
010832CD028	8	832	9/32
010832CD031	8	832	5/16
010832CD037	8	832	3/8
010832CD043	8	832	7/16
010832CD050	8	832	1/2
010832CD062	8	832	5/8
010832CD075	8	832	3/4
010832CD087	8	832	7/8
010832CD100	8	832	1
010832CD112	8	832	1 1/8

PART NUMBER	SCREW SIZE	THREAD	LENGTH
010832CD125	8	832	1 1/4
010832CD137	8	832	1 3/8
010832CD150	8	832	1 1/2
010832CD175	8	832	1 3/4
010832CD187	8	832	1 7/8
010832CD200	8	832	2
011024CD012	10	1024	1/8
011024CD018	10	1024	3/16
011024CD025	10	1024	1/4
011024CD031	10	1024	5/16
011024CD037	10	1024	3/8
011024CD050	10	1024	1/2
011024CD062	10	1024	5/8
011024CD075	10	1024	3/4
011024CD100	10	1024	1
011024CD125	10	1024	1 1/4
011024CD150	10	1024	1 1/2
011032CD012	10	1032	1/8
011032CD018	10	1032	3/16
011032CD025	10	1032	1/4
011032CD031	10	1032	5/16
011032CD037	10	1032	3/8
011032CD043	10	1032	7/16
011032CD050	10	1032	1/2
011032CD062	10	1032	5/8
011032CD075	10	1032	3/4
011032CD081	10	1032	13/16
011032CD087	10	1032	7/8
011032CD100	10	1032	1
011032CD106	10	1032	1-1/16
011032CD125	10	1032	1 1/4
011032CD150	10	1032	1 1/2
011032CD175	10	1032	1 3/4
011032CD200	10	1032	2
012520CD025	1/4	1/4-20	1/4
012520CD031	1/4	1/4-20	5/16
012520CD037	1/4	1/4-20	3/8
012520CD050	1/4	1/4-20	1/2
012520CD062	1/4	1/4-20	5/8

PART NUMBER	SCREW SIZE	THREAD	LENGTH
012520CD075	1/4	1/4-20	3/4
012520CD087	1/4	1/4-20	7/8
012520CD100	1/4	1/4-20	1
012520CD125	1/4	1/4-20	1 1/4
012520CD150	1/4	1/4-20	1 1/2
012520CD175	1/4	1/4-20	1 3/4
012520CD200	1/4	1/4-20	2
012520CD250	1/4	1/4-20	2 1/2
012528CD018	1/4	1/4-28	3/16
012528CD025	1/4	1/4-28	1/4
012528CD037	1/4	1/4-28	3/8
012528CD062	1/4	1/4-28	5/8
012528CD075	1/4	1/4-28	3/4
012528CD100	1/4	1/4-28	1



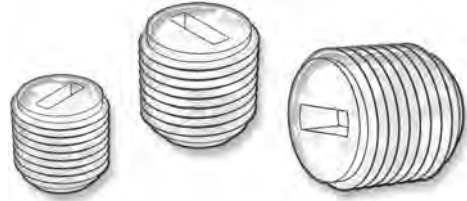
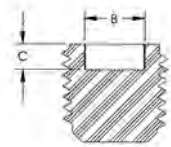
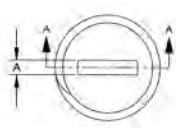
SCREWS, BOLTS, & THREADED ROD

SECTION



PIPE PLUGS **Molded in Natural Nylon 6/6**

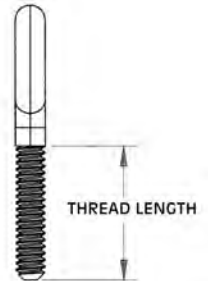
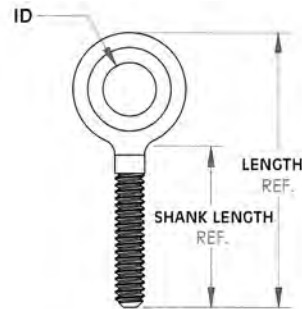
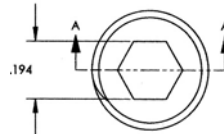
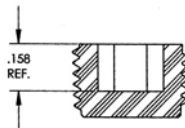
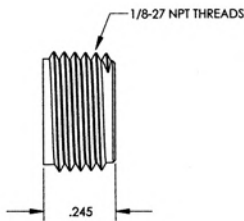
Nylon Pipe Plugs with NPT threads are used to protect valves, hydraulic and pneumatic devices from contamination. Grub style drive allows installation and removal with a common screw driver. Available in 5 NPT sizes from 1/8-27 to 3/4-14.



PART NUMBER	THREAD	A	B REF.	C REF.	LENGTH
62NPT01227	1/8-27 NPT	.072 (1,83)	.240 (6,10)	.130 (3,30)	.390 (9,91)
62NPT02518	1/4-18 NPT	.072 (1,83)	.312 (7,92)	.130 (3,30)	.500 (12,70)
62NPT03718	3/8-18 NPT	.150 (3,81)	.380 (9,10)	.358 (9,65)	.550 (13,97)
62NPT05014	1/2-14 NPT	.150 (3,81)	.468 (11,89)	.365 (9,27)	.565 (14,35)
62NPT07514	3/4-14 NPT	.175 (4,44)	.550 (13,97)	.435 (11,05)	.610 (15,49)

HEX PIPE PLUG **Molded in Natural Nylon 6/6**

PART NUMBER	THREAD	ACROSS FLATS	LENGTH	HEX DEPTH REF.
62NPTH01227	1/8-27 NPT	.194 (4,92)	.245 (6,45)	.158 (4,01)



EYE BOLTS **Molded in Natural Nylon 6/6**

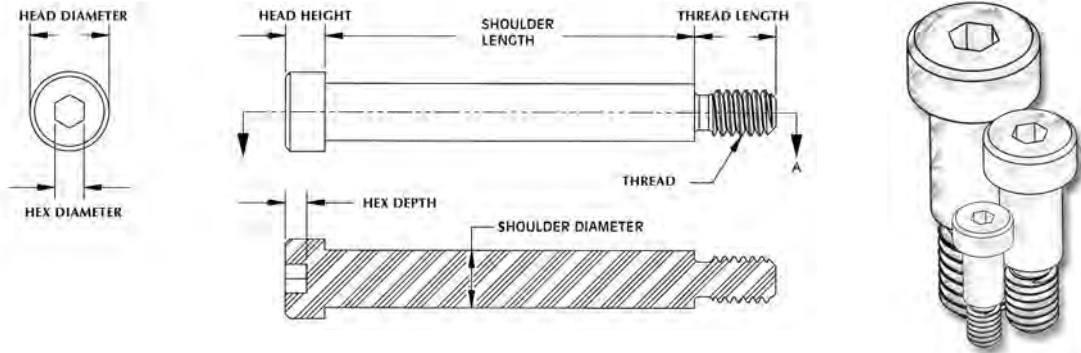
Eye Bolts are designed for use in very light duty applications. The Eye Bolts are resistant to aromatic, chlorinated, and ketone solvents, gasolines, oils, greases and animal and vegetable oils.

ITEM NUMBER	SCREW SIZE	THREAD	THREAD LENGTH	SHANK LENGTH	LENGTH	HEAD THICKNESS	OD	ID
0100632EYEB075	6	632	5/8	3/4	1-1/4	.140	.500	1/4
0100832EYEB112	8	832	1	1-1/8	1.7	.166	.575	1/4
0101024EYEB100	10	1024	7/8	1	1-3/4	.192	.750	3/8
0125020EYEB100	1/4	1/4-20	7/8	1	2	.250	1.000	1/2
0125020EYEB150	1/4	1/4-20	1-1/4	1-1/2	2-1/2	.250	1.000	1/2
0125020EYEB200	1/4	1/4-20	1-1/4	2	3	.252	1.000	1/2
0125020EYEB400	1/4	1/4-20	1-1/4	4	5	.252	1.000	1/2
0131218EYEB100	5/16	5/16-18	7/8	1	2-1/4	.312	1.250	5/8
0131218EYEB200	5/16	5/16-18	1-1/4	2	3-1/4	.312	1.250	5/8
0137516EYEB100	3/8	3/8-16	7/8	1	2-1/2	.375	1.500	3/4
0137516EYEB200	3/8	3/8-16	1-1/4	2	3-1/2	.377	1.500	3/4
0137516EYEB250	3/8	3/8-16	1-1/2	2-1/2	4	.377	1.500	3/4
0137516EYEB400	3/8	3/8-16	2-1/2	4	5-1/2	.375	1.500	3/4



SCREWS, BOLTS, & THREADED ROD

SECTION II



SHOULDER SCREWS **Molded in Natural Nylon 6/6**

PART NUMBER	SHOULDER DIAMETER	SHOULDER LENGTH	HEAD DIAMETER	HEAD HEIGHT	HEX DIAMETER	HEX DEPTH	THREAD	THREAD LENGTH
31025025	.238/.248	.250	.357/.375	.177/.188	.125/.130	.094 MIN.	1024	.345/.375
31025037	.238/.248	.375	.357/.375	.177/.188	.125/.130	.094 MIN.	1024	.345/.375
31025050	.238/.248	.500	.357/.375	.177/.188	.125/.130	.094 MIN.	1024	.345/.375
31025062	.238/.248	.625	.357/.375	.177/.188	.125/.130	.094 MIN.	1024	.345/.375
31025075	.238/.248	.750	.357/.375	.177/.188	.125/.130	.094 MIN.	1024	.345/.375
31025100	.238/.248	1.000	.357/.375	.177/.188	.125/.130	.094 MIN.	1024	.345/.375
31025125	.238/.248	1.250	.357/.375	.177/.188	.125/.130	.094 MIN.	1024	.345/.375
31025150	.238/.248	1.500	.357/.375	.177/.188	.125/.130	.094 MIN.	1024	.345/.375
31025175	.238/.248	1.750	.357/.375	.177/.188	.125/.130	.094 MIN.	1024	.345/.375
31025200	.238/.248	2.000	.357/.375	.177/.188	.125/.130	.094 MIN.	1024	.345/.375
31025225	.238/.248	2.250	.357/.375	.177/.188	.125/.130	.094 MIN.	1024	.345/.375
31025250	.238/.248	2.500	.357/.375	.177/.188	.125	.094 MIN.	1024	.375
31031025	.301/.311	.250	.419/.438	.209/.219	.156/.161	.117 MIN.	1/4-20	.408/.438
31031031	.301/.311	.312	.419/.438	.209/.219	.156/.161	.117 MIN.	1/4-20	.408/.438
31031037	.301/.311	.375	.419/.438	.209/.219	.156/.161	.117 MIN.	1/4-20	.408/.438
31031050	.301/.311	.500	.419/.438	.209/.219	.156/.161	.117 MIN.	1/4-20	.408/.438
31031062	.301/.311	.625	.419/.438	.209/.219	.156/.161	.117 MIN.	1/4-20	.408/.438
31031075	.301/.311	.750	.419/.438	.209/.219	.156/.161	.117 MIN.	1/4-20	.408/.438
31031100	.301/.311	1.000	.419/.438	.209/.219	.156/.161	.117 MIN.	1/4-20	.408/.438
31031150	.301/.311	1.500	.419/.438	.209/.219	.156/.161	.117 MIN.	1/4-20	.408/.438
31031175	.301/.311	1.750	.419/.438	.209/.219	.156/.161	.117 MIN.	1/4-20	.408/.438
31031200	.300/.310	2.000	.419/.438	.209/.219	.156/.161	.117 MIN.	1/4-20	.408/.438
31037025	.363/.373	0.250	.543/.562	.240/.250	.188/.193	.141 MIN.	5/16-18	.470/.500
31037037	.363/.373	0.375	.543/.562	.240/.250	.188/.193	.141 MIN.	5/16-18	.470/.500
31037050	.363/.373	0.500	.543/.562	.240/.250	.188/.193	.141 MIN.	5/16-18	.470/.500
31037062	.363/.373	0.625	.543/.562	.240/.250	.188/.193	.141 MIN.	5/16-18	.470/.500
31037075	.363/.373	0.750	.543/.562	.240/.250	.188/.193	.141 MIN.	5/16-18	.470/.500
31037100	.363/.373	1.000	.543/.562	.240/.250	.188/.193	.141 MIN.	5/16-18	.470/.500
31037125	.363/.373	1.250	.543/.562	.240/.250	.188/.193	.141 MIN.	5/16-18	.470/.500
31037150	.363/.373	1.500	.543/.562	.240/.250	.188/.193	.141 MIN.	5/16-18	.470/.500
31037175	.363/.373	1.750	.543/.562	.240/.250	.188/.193	.141 MIN.	5/16-18	.470/.500
31037200	.363/.373	2.000	.543/.562	.240/.250	.188/.193	.141 MIN.	5/16-18	.470/.500
31037225	.363/.373	2.250	.543/.562	.240/.250	.188/.193	.141 MIN.	5/16-18	.470/.500
31050037	.488/.498	0.375	.729/.750	.302/.312	.250/.255	.188 MIN.	3/8-16	.595/.625
31050050	.488/.498	0.500	.729/.750	.302/.312	.250/.255	.188 MIN.	3/8-16	.595/.625
31050062	.488/.498	0.625	.729/.750	.302/.312	.250/.255	.188 MIN.	3/8-16	.595/.625
31050075	.488/.498	0.750	.729/.750	.302/.312	.250/.255	.188 MIN.	3/8-16	.595/.625
31050100	.488/.498	1.000	.729/.750	.302/.312	.250/.255	.188 MIN.	3/8-16	.595/.625
31050125	.488/.498	1.250	.729/.750	.302/.312	.250/.255	.188 MIN.	3/8-16	.595/.625
31050150	.488/.498	1.500	.729/.750	.302/.312	.250/.255	.188 MIN.	3/8-16	.595/.625
31050175	.488/.498	1.750	.729/.750	.302/.312	.250/.255	.188 MIN.	3/8-16	.595/.625
31050200	.488/.498	2.000	.729/.750	.302/.312	.250/.255	.188 MIN.	3/8-16	.595/.625

SCREWS, BOLTS, & THREADED ROD

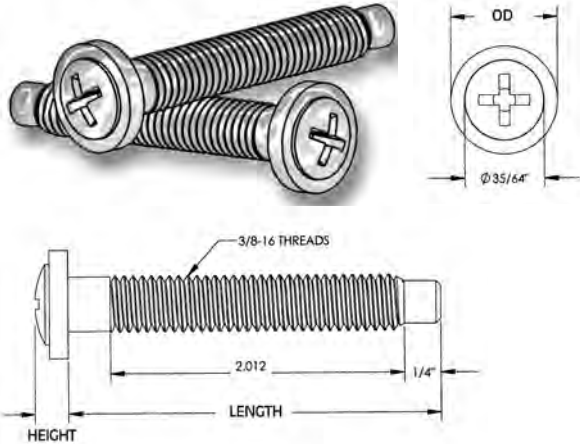
SECTION

II

Toilet Seat Nut and Bolt are molded in corrosion resistant plastic to prevent damage from cleaning substances. The crown on the nut centers the bolt and nut in the bowl seat attachment hole and reduces the possibility of the nut loosening. The nut has a wing design which allows it to be hand tightened.

TOILET SEAT BOLT

Molded in **Black Nylon 6/6**

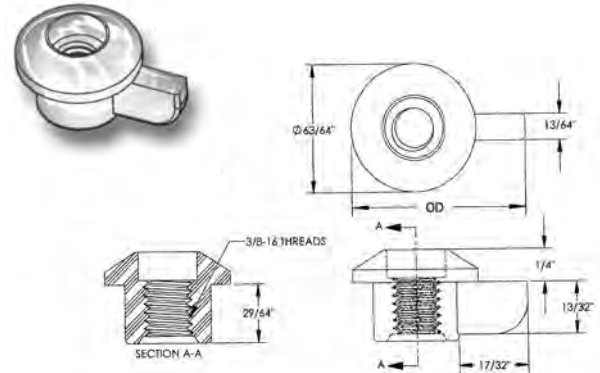


PARTS ARE MOLDED IN BLACK NYLON

PART NUMBER	SCREW SIZE	THREAD	LENGTH	HEIGHT	OD
013716WTS200	3/8	3/8-16	2.551	7/32	47/64

TOILET SEAT NUT

Molded in **Natural Polypropylene**

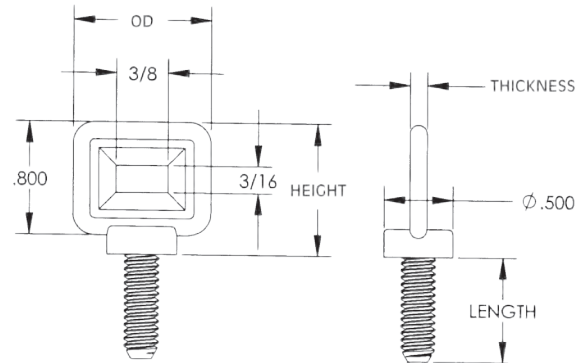


PARTS ARE MOLDED IN NATURAL POLYPROPYLENE

PART NUMBER	SCREW SIZE	THREAD	OD
0437516TSN	3/8	3/8-16	1 3/8"

FLAT HEAD WING SCREW

Molded in **Natural Nylon 6/6**



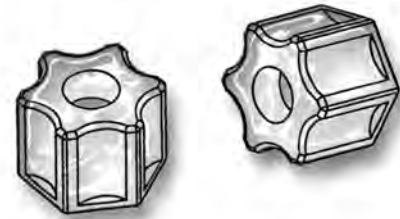
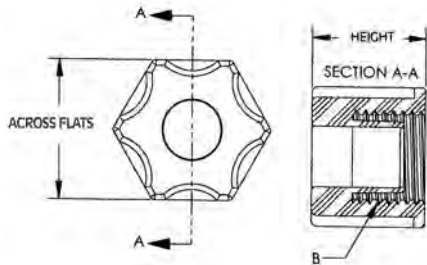
PART NUMBER	SCREW SIZE	THREAD	LENGTH	THICKNESS	OD	HEIGHT
0101032FHWS050	10	1032	1/2	.125	.990	.937
0101032FHWS075	10	1032	3/4	.125	.990	.937
0101032FHWS100	10	1032	1	.125	.990	.937
0125020FHWS050	1/4	1/4-20	1/2	.125	.990	.937
0125020FHWS075	1/4	1/4-20	3/4	.125	.990	.937
0125020FHWS100	1/4	1/4-20	1	.125	.990	.937
0131218FHWS050	5/16	5/16-18	1/2	.125	.990	.937
0131218FHWS075	5/16	5/16-18	3/4	.125	.990	.937
0131218FHWS100	5/16	5/16-18	1	.125	.990	.937

SCREWS, BOLTS, & THREADED ROD

SECTION II

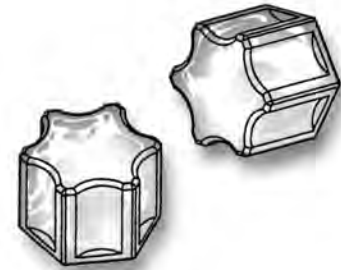
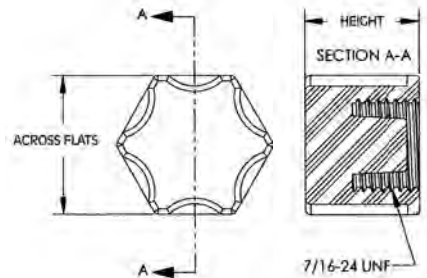
Compression Fittings are designed for low pressure applications using all types of tubing. Nylon compression fittings are corrosion resistant and have good electrical insulating properties that virtually eliminate any electrical action that could result in corrosion when dissimilar metal meets fitting. Plastic compression fittings demonstrate an ability to absorb acoustic and mechanical vibration thereby extending their useful life in many applications. Fewer components translate into lower cost and easier assembly.

COMPRESSION NUT **Molded in Natural Nylon 6/6**



PART NUMBER	SCREW SIZE	THREAD	TUBE OD	ACROSS FLATS	HEIGHT
0443720UNFCPN	7/16	7/16-20 UNF	1/4 (6,35)	.620 (15,75)	.620 (15,75)
0450020UNFCPN	1/2	1/2-20 UNF	5/16 (7,94)	.745 (18,92)	.620 (15,75)

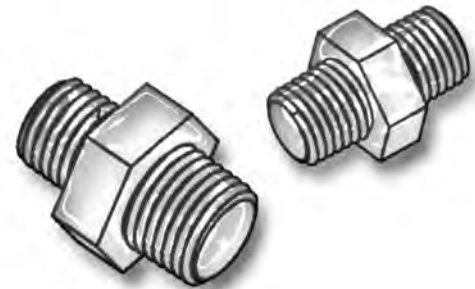
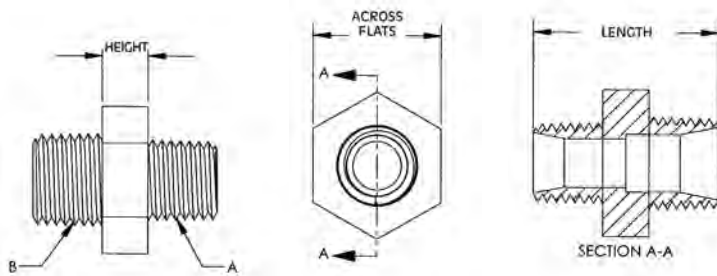
COMPRESSION PLUG **Molded in Natural Nylon 6/6**



0443724UNFPLUG

PART NUMBER	SCREW SIZE	THREAD	TUBE OD	ACROSS FLATS	HEIGHT
0443724UNFPLUG	7/16	7/16-24 UNF	1/4 (6,35)	.620 (15,75)	.620 (15,75)

COMPRESSION CONNECTORS **Molded in Natural Nylon 6/6**



PART NUMBER	SCREW SIZE A	SCREW SIZE B	THREAD A	THREAD B	TUBE OD	ACROSS FLATS	LENGTH	HEIGHT
04AP43720CC	7/16	7/16	20 UNF	20 UNF	1/4 X 1/4	5/8 (15,87)	0.980 (24,90)	15/64 (5,95)
04AP4372050020CC	7/16	1/2	20 UNF	20 UNF	1/4 X 5/16	11/16 (6,88)	0.990 (25,15)	1/4 (6,35)

UNIVERSAL NUTS

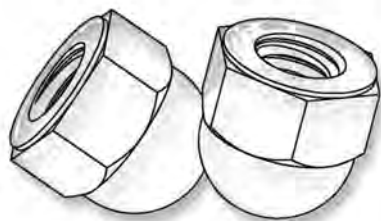
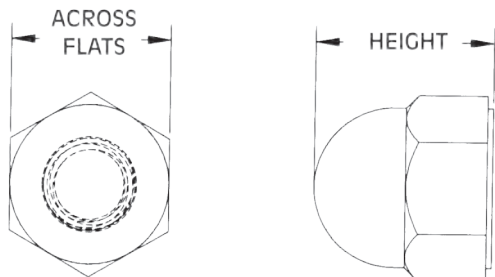
STOCKED IN NYLON 6/6 UL 94V2 - CAN BE FURNISHED IN ACETAL

SECTION



**-METRIC Sizes
Also Available**

Page 273



Similar to our standard cap nut, except with a molded-in locking thread.

Use for applications which require higher torque, vibration resistance or a more secure assembly.

CAP NUTS

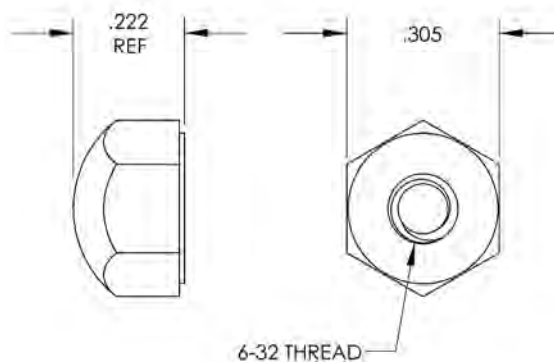
Molded in **Natural Nylon 6/6**

ITEM NUMBER	SCREW SIZE	THREAD	ACROSS FLATS	HEIGHT * REF.
0500440CN	4	440	.250 (6,35)	.280 (7,11)
0500632CN	6	632	.305 (7,75)	.345 (8,76)
0500832CN	8	832	.330 (8,38)	.375 (9,53)
0501024CN	10	1024	.365 (9,27)	.400 (10,16)
0501032CN	10	1032	.365 (9,27)	.400 (10,16)
0525018CN	1/4	1/4-18	.750 (19,05)	.810 (20,57)
0525020CN	1/4	1/4-20	.425 (10,80)	.475 (12,07)
0525028CN	1/4	1/4-28	.425 (10,80)	.475 (12,07)
0531218CN	5/16	5/16-18	.500 (12,70)	.530 (13,46)
0531224CN	5/16	5/16-24	.500 (12,70)	.530 (13,46)
0537516CN	3/8	3/8-16	.565 (14,35)	.620 (15,74)
0537524CN	3/8	3/8-24	.565 (14,35)	.620 (15,74)
0537532CN	3/8	3/8-32	.565 (14,35)	.620 (15,74)
0543714CN	7/16	7/16-14	.750 (19,05)	.810 (20,57)
0550013CN	1/2	1/2-13	.750 (19,05)	.810 (20,57)
0550020CN	1/2	1/2-20	.750 (19,05)	.810 (20,57)
0562511CN	5/8	5/8-11	.935 (23,75)	.970 (24,64)

LOCKING CAP NUTS

Molded in **Natural Nylon 6/6**

ITEM NUMBER	SCREW SIZE	THREAD	ACROSS FLATS	HEIGHT * REF.
0500440LCN	4	440	.250 (6,35)	.280 (7,11)
0500632LCN	6	632	.305 (7,75)	.345 (8,76)
0500832LCN	8	832	.330 (8,38)	.375 (9,53)
0501024LCN	10	1024	.365 (9,27)	.400 (10,16)
0501032LCN	10	1032	.365 (9,27)	.400 (10,16)
0525020LCN	1/4	1/4-20	.425 (10,80)	.475 (12,07)
0531218LCN	5/16	5/16-18	.500 (12,70)	.530 (13,46)
0537516LCN	3/8	3/8-16	.565 (14,35)	.620 (15,74)



LOW PROFILE LOCKING CAP NUTS

Molded in **Natural Nylon 6/6**

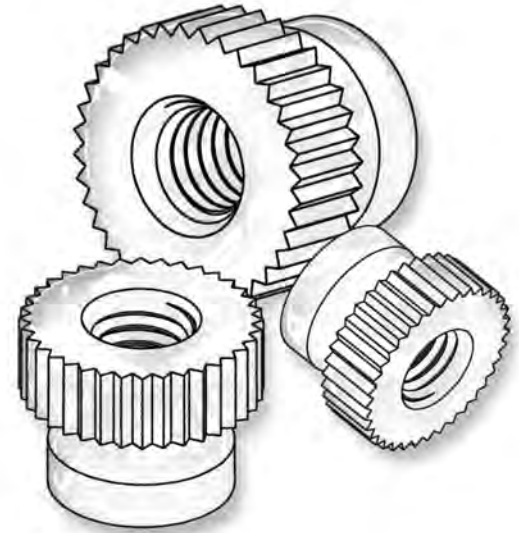
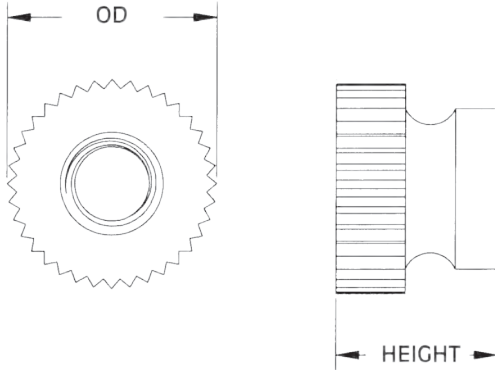
ITEM NUMBER	SCREW SIZE	THREAD	ACROSS FLATS	HEIGHT * REF.
0500632CNSP	6	632	.305 (7,45)	.222 (5,64)

UNIVERSAL NUTS

SECTION



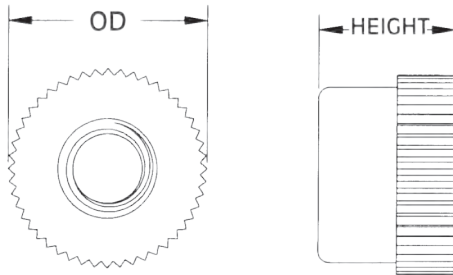
STOCKED IN NYLON 6/6 UL 94V2 - CAN BE FURNISHED IN ACETAL



KNURLED THUMB NUTS

Molded in Natural Nylon 6/6

ITEM NUMBER	SCREW SIZE	THREAD	OD	HEIGHT
0800440TN	4	440	.300 (7,62)	.280 (7,11)
0800632TN	6	632	.360 (9,14)	.275 (6,99)
0800832TN	8	832	.425 (10,80)	.305 (7,75)
0801024TN	10	1024	.425 (10,80)	.325 (8,26)
0801032TN	10	1032	.425 (10,80)	.325 (8,26)
0825020TN	1/4	1/4-20	.540 (13,72)	.365 (9,27)
0831218TN	5/16	5/16-18	.612 (15,54)	.400 (10,16)
0831224TN	5/16	5/16-24	.612 (15,54)	.400 (10,16)



**METRIC Sizes
Also Available**

Page 274

KNURLED THUMB NUTS "A"

Molded in Natural Nylon 6/6

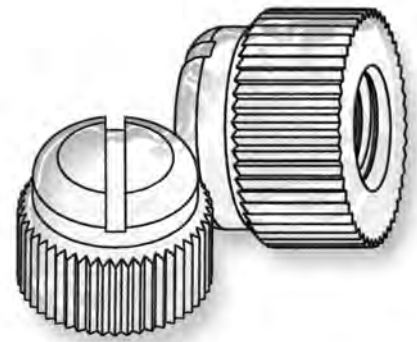
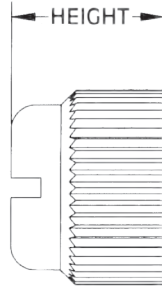
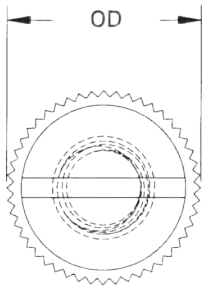
ITEM NUMBER	SCREW SIZE	THREAD	OD	HEIGHT
0800440TNA	4	440	.300 (7,62)	.280 (7,11)
0800632TNA	6	632	.360 (9,14)	.275 (6,99)
0800832TNA	8	832	.425 (10,80)	.305 (7,75)
0801024TNA	10	1024	.425 (10,80)	.325 (8,26)
0801032TNA	10	1032	.425 (10,80)	.325 (8,26)
0825020TNA	1/4	1/4-20	.540 (13,72)	.365 (9,27)
0831218TNA	5/16	5/16-18	.615 (15,62)	.385 (9,78)
0837516TNA	3/8	3/8-16	.687 (17,45)	.430 (10,92)
0850013TNA	1/2	1/2-13	.750 (19,05)	.468 (11,89)



UNIVERSAL NUTS

STOCKED IN NYLON 6/6 UL 94V2 - CAN BE FURNISHED IN ACETAL

SECTION



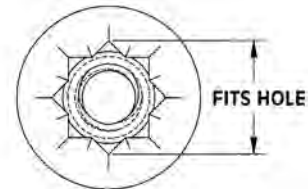
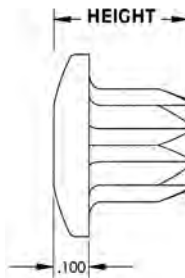
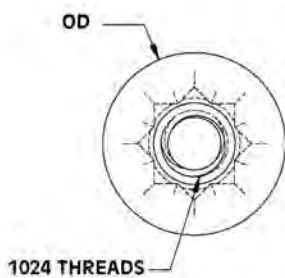
SLOTTED THUMB NUTS

Molded in **Natural Nylon 6/6**

ITEM NUMBER	SCREW SIZE	THREAD	OD	HEIGHT
0500440SCN	4	440	.317 (8,05)	.295 (7,49)
0500632SCN	6	632	.348 (8,84)	.334 (8,48)
0500832SCN	8	832	.381 (9,68)	.378 (9,60)
0501024SCN	10	1024	.400 (10,16)	23/64 (9,12)
0501032SCN	10	1032	.400 (10,16)	23/64 (9,12)
0525020SCN	1/4	1/4-20	.478 (12,14)	.370 (9,40)

SPLINED PANEL NUT

Molded in **Natural Nylon 6/6** and **Transparent Polycarbonate**



NYLON

Watch Instructional Video

[mms://www.microplastics.com/productvideos/SplinedPanelNut.asf](https://www.microplastics.com/productvideos/SplinedPanelNut.asf)



POLYCARBONATE

Transparent

ITEM NUMBER	SCREW SIZE	THREAD	MATERIAL	OD	HEIGHT	FITS HOLE
091024SPNN	10	1024	NYLON	33/64 (13,08)	25/64 (9,92)	.281 (7,14)
091024SPNP	10	1024	POLYCARBONATE	33/64 (13,08)	25/64 (9,92)	.290 (7,37)

UNIVERSAL NUTS

SECTION

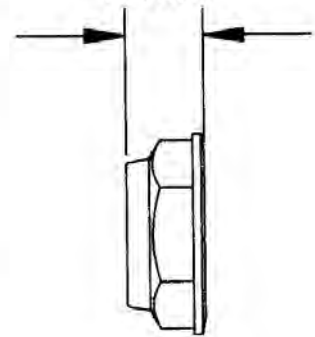
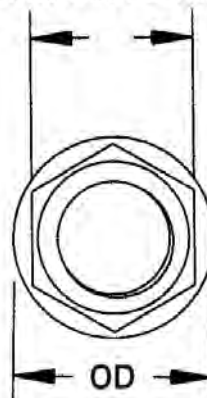


STOCKED IN NYLON 6/6 UL 94V2 - CAN BE FURNISHED IN ACETAL



ACROSS FLATS

HEIGHT



Micro Plastics' Dress Nut is molded in non-conductive and chemical resistant Nylon 6/6. The aesthetic contour of the nut includes a washer base that gives a finished look to panel fronts.

DRESS NUT

Molded in **Natural Nylon 6/6**

ITEM NUMBER	SCREW SIZE	THREAD	OD	ACROSS FLATS	HEIGHT
0437532HDN	3/8	3/8-32	.615 (15,62)	.500 (12,70)	.245 (6,22)

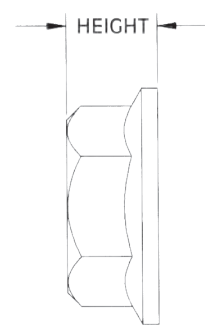
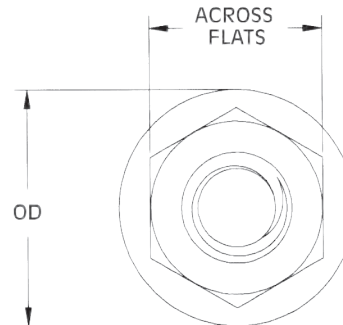
**METRIC Sizes
Also Available**

Page 274



ACROSS FLATS

HEIGHT



Nylon Hex Flange nuts can be used where additional contact area is required. Eliminates the use of a washer in some applications.

HEX FLANGE NUT

Molded in **Natural Nylon 6/6**

ITEM NUMBER	SCREW SIZE	THREAD	OD	ACROSS FLATS	HEIGHT
0401032HFN	10	1032	.492 (12,50)	.364 (9,27)	.208 (5,28)
0425020HFN	1/4	1/4-20	.582 (14,78)	.428 (10,87)	.226 (5,74)
0425028HFN	1/4	1/4-28	.582 (14,78)	.428 (10,87)	.226 (5,74)
0462511HFN	5/8	5/8-11	1.265 (32,13)	.930 (23,62)	.557 (14,14)

UNIVERSAL NUTS

STOCKED IN NYLON 6/6 UL 94V2 - CAN BE FURNISHED IN ACETAL

SECTION

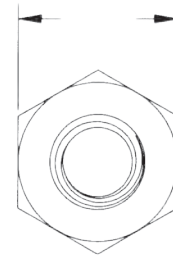


HEX JAM NUTS

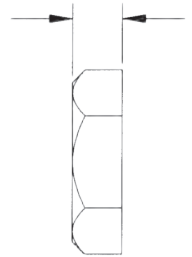
Molded in **Natural Nylon 6/6**

ITEM NUMBER	SCREW SIZE	THREAD		ACROSS FLATS	HEIGHT
0425020HJN	1/4	1/4-20	Jam Nut	.437 (11,10)	.158 (4,01)
0431218HJN	5/16	5/16-18	Jam Nut	.500 (12,70)	.190 (4,83)
0431224HJN	5/16	5/16-24	Jam Nut	.500 (12,70)	.190 (4,83)
0437516HJN	3/8	3/8-16	Jam Nut	.500 (12,70)	.125 (3,18)
0437524HJN	3/8	3/8-24	Jam Nut	.500 (12,70)	.125 (3,18)
0437532HJN	3/8	3/8-32	Jam Nut	.500 (12,70)	.125 (3,18)
0437516HHJN	3/8	3/8-16	Jam Nut	.670 (17,02)	7/32 (5,56)
0443714HJN	7/16	7/16-14	Jam Nut	.687 (17,45)	.375 (9,53)
0443720HJN	7/16	7/16-20	Jam Nut	.687 (17,45)	.250 (6,35)
0446832HJN	15/32	15/32-32	Jam Nut	.625 (15,88)	.125 (3,18)
0450013HJN	1/2	1/2-13	Jam Nut	.687 (17,45)	.220 (5,59)
0450020HJN	1/2	1/2-20	Jam Nut	.687 (17,45)	.220 (5,59)
0450024HJN	1/2	1/2-24	Jam Nut	.687 (17,45)	.220 (5,59)
0450028HJN	1/2	1/2-28	Jam Nut	.660 (16,76)	.125 (3,18)
0456218HJN	9/16	9/16-18	Jam Nut	.750 (19,05)	.250 (6,35)
0456224HJN	9/16	9/16-24	Jam Nut	.750 (19,05)	.250 (6,35)
0462511HJN	5/8	5/8-11	Jam Nut	.937 (23,80)	.375 (9,53)
0462518HJN	5/8	5/8-18	Jam Nut	.937 (23,80)	.375 (9,53)
0475010HJN	3/4	3/4-10	Jam Nut	1.12 (28,50)	.250 (6,35)
0475016HJN	3/4	3/4-16	Jam Nut	1.12 (28,50)	.250 (6,35)
0475027HJN	3/4	3/4-27	Jam Nut	1.00 (25,40)	.125 (3,18)
0487514HJN	7/8	7/8-14	Jam Nut	1.25 (31,75)	.340 (8,64)
0487520HJN	7/8	7/8-20	Jam Nut	1.000 (25,40)	.125 (3,18)
0410008HJN	1	1-8	Jam Nut	1.48 (37,59)	.410 (10,41)
0412527PJN	1/8	1/8-27	Jam Nut NPT	.56 (14,22)	.11 (2,79)
0425018PJN	1/4	1/4-18	Jam Nut NPT	.740 (18,80)	.187 (4,75)
0437518PJN	3/8	3/8-18	Jam Nut NPT	1.00 (25,40)	.280 (7,11)
0450014PJN	1/2	1/2-14	Jam Nut NPT	1.25 (31,75)	.340 (8,64)
0475014PJN	3/4	3/4-14	Jam Nut NPT	1.48 (37,59)	.410 (10,41)
0475014SJN	3/4	3/4-14	Jam Nut NPS	1.48 (37,59)	.410 (10,41)
0425018SJN	1/4	1/4-18	Jam Nut NPS	.687 (17,45)	.225 (5,72)
0437518SJN	3/8	3/8-18	Jam Nut NPS	1.00 (25,40)	.280 (7,11)
0450014SJN	1/2	1/2-14	Jam Nut NPS	1.25 (31,75)	.340 (8,64)

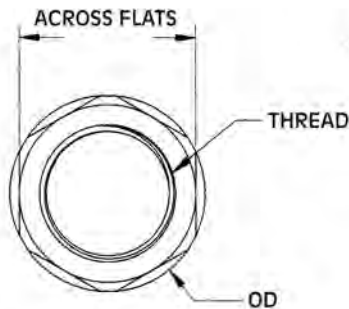
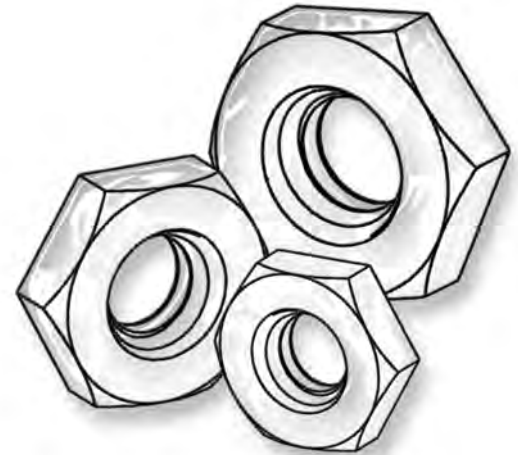
ACROSS FLATS



HEIGHT



New
SIZES



HEX JAM NUTS WITH WASHER FACE

Molded in **Natural Nylon 6/6**

ITEM NUMBER	SCREW SIZE	THREAD		ACROSS FLATS	OD	HEIGHT
0410011PJN	1	1-11-1/2	Hex Jam Nut NPT	1 21/32 (42,06)	1 27/32 (46,84)	5/16 (7,94)
0412511PJN	1	1 1/4-11-1/2	Hex Jam Nut NPT	2 1/8 (53,98)	2 11/32 (59,54)	3/8 (9,53)

UNIVERSAL NUTS

SECTION



STOCKED IN NYLON 6/6 UL 94V2 - CAN BE FURNISHED IN ACETAL

**METRIC Sizes
Also Available**

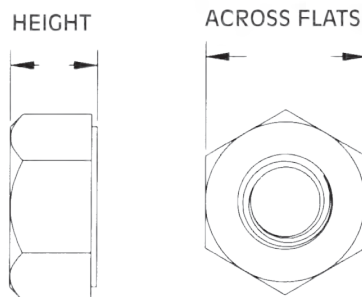
Page 273

HEX NUT

Molded in Natural Nylon 6/6

ITEM NUMBER	SCREW SIZE	THREAD	ACROSS FLATS	HEIGHT
0400256HN	2	256	.180 (4,57)	.070 (1,78)
0400348HN	3	348	.180 (4,57)	.070 (1,78)
0400440HN	4	440	.250 (6,35)	.100 (2,54)
0400632HN	6	632	.305 (7,75)	.120 (3,05)
0400640HN	6	640	.305 (7,75)	.120 (3,05)
0400832HN	8	832	.335 (8,51)	.130 (3,30)
0401024HN	10	1024	.365 (9,27)	.135 (3,43)
0401032HN	10	1032	.365 (9,27)	.135 (3,43)
0401224HN	12	1224	.425 (10,80)	.207 (5,26)
* 0425020HN	1/4	1/4-20	.425 (10,80)	.235 (5,97)
* 0425028HN	1/4	1/4-28	.425 (10,80)	.235 (5,97)
0431218HN	5/16	5/16-18	.500 (12,70)	.270 (6,86)
0431224HN	5/16	5/16-24	.500 (12,70)	.270 (6,86)
0437516HN	3/8	3/8-16	.560 (14,22)	.330 (8,38)
0437524HN	3/8	3/8-24	.560 (14,22)	.330 (8,38)
0437532HN	3/8	3/8-32	.560 (14,22)	.330 (8,38)
0443714HN	7/16	7/16-14	.685 (17,40)	.380 (9,65)
0443720HN	7/16	7/16-20	.685 (17,40)	.380 (9,65)
0450013HN	1/2	1/2-13	.750 (19,05)	.430 (10,92)
* 0450020HN	1/2	1/2-20	.750 (19,05)	.430 (10,92)
0462511HN	5/8	5/8-11	.925 (23,40)	.550 (13,97)
0462518HN	5/8	5/8-18	.925 (23,50)	.550 (13,97)
0468727HN	11/16	11/16-27	1.00 (25,40)	.250 (6,35)
0475010HN	3/4	3/4-10	1.10 (27,94)	.640 (16,26)
0487509HN	7/8	7/8-9	1.28 (32,51)	.750 (19,05)
0410008HN	1	1-8	1.48 (37,34)	.870 (22,10)

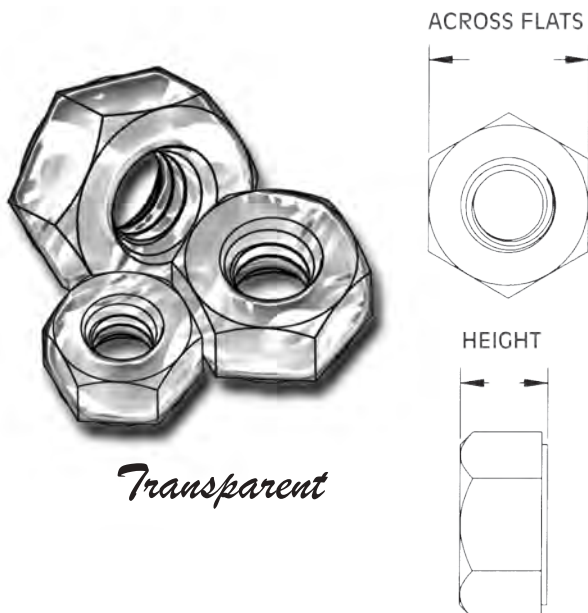
* PARTS MEASURE TO IFI SPECIFICATIONS



SPECIAL HEX NUTS

Molded in Natural Nylon 6/6

ITEM NUMBER	SCREW SIZE	THREAD	ACROSS FLATS	HEIGHT
0400256HNS	2	256	.180 (4,57)	.090 (2,29)
0400440HNS	4	440	.250 (6,35)	.124 (3,15)
0400632HNS	6	632	.305 (7,75)	.146 (3,71)
0400832HNS	8	832	.340 (8,64)	.170 (4,32)
0401024HNS	10	1024	.365 (9,27)	.196 (4,98)
0401032HNS	10	1032	.365 (9,37)	.196 (4,98)
0425020HNS	1/4	1/4-20	.425 (10,80)	.258 (6,55)



Transparent

POLYCARBONATE HEX NUTS

Molded in Transparent Polycarbonate

Micro Plastics' Polycarbonate Hex Nuts can be used with our Polycarbonate Screws to produce a transparent fastening. Polycarbonate properties are not affected by water absorption and have better impact and deflection temperature than Nylon.

ITEM NUMBER	SCREW SIZE	THREAD	ACROSS FLATS	HEIGHT
0400440HNPC	4	440	.250 (6,35)	.100 (2,54)
0400632HNPC	6	632	.305 (7,75)	.120 (3,05)
0400832HNPC	8	832	.335 (8,51)	.130 (3,30)
0401032HNPC	10	1032	.365 (9,27)	.135 (3,43)

UNIVERSAL NUTS

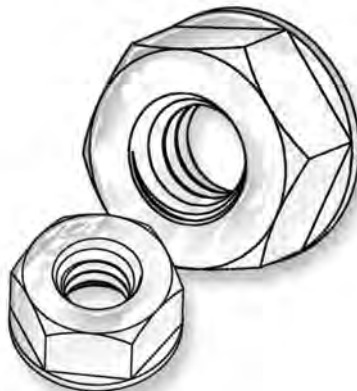
STOCKED IN NYLON 6/6 UL 94V2 - CAN BE FURNISHED IN ACETAL

SECTION



METRIC Sizes
Also Available

Page 273

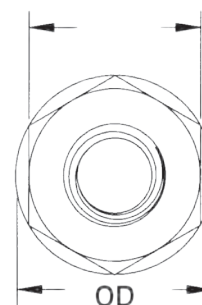


LOCK NUTS

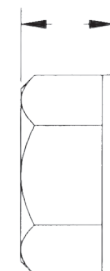
Molded in Natural Nylon 6/6
DESIGNED FOR STEEL SCREWS

ITEM NUMBER	SCREW SIZE	THREAD	ACROSS FLATS	HEIGHT	OD
0700256LN	2	256	.180 (4,57)	.140 (3,56)	.205 (5,21)
0700440LN	4	440	.250 (6,35)	.180 (4,57)	.285 (7,24)
0700632LN	6	632	.305 (7,75)	.200 (5,08)	.350 (8,89)
0700832LN	8	832	.335 (8,51)	.230 (5,84)	.385 (9,78)
0701024LN	10	1024	.365 (9,27)	.250 (6,35)	.425 (10,80)
0701032LN	10	1032	.365 (9,27)	.250 (6,35)	.425 (10,80)
0725020LN	1/4	1/4-20	.425 (10,80)	.275 (6,99)	.510 (12,95)
0725028LN	1/4	1/4-28	.425 (10,80)	.275 (6,99)	.510 (12,95)

ACROSS FLATS



HEIGHT

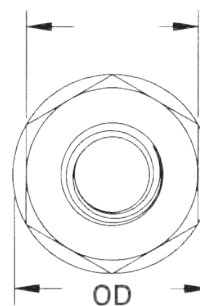


SELF - THREADING LOCK NUTS

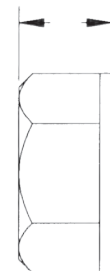
Molded in Natural Nylon 6/6
DESIGNED FOR STEEL SCREWS

ITEM NUMBER	SCREW SIZE	ACROSS FLATS	HEIGHT	OD
0700256SLN	256	.180 (4,57)	.140 (3,56)	.205 (5,21)
0700440SLN	440	.250 (6,35)	.200 (5,08)	.285 (7,24)
0700632SLN	632	.305 (7,75)	.200 (5,08)	.350 (8,89)
0700832SLN	832	.335 (8,51)	.230 (5,84)	.385 (9,78)
0701024SLN	1024	.365 (9,27)	.250 (6,35)	.425 (10,80)
0701032SLN	1032	.365 (9,27)	.250 (6,35)	.425 (10,80)
0725020SLN	1/4-20	.425 (10,80)	.275 (6,99)	.510 (12,95)

ACROSS FLATS



HEIGHT



UNIVERSAL NUTS

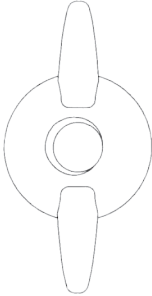
SECTION



STOCKED IN NYLON 6/6 UL 94V2 - CAN BE FURNISHED IN ACETAL

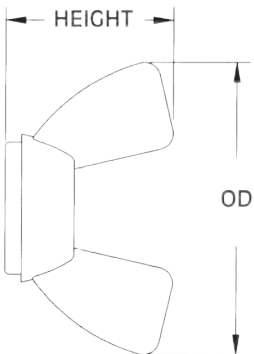
**METRIC Sizes
Also Available**

Page 275

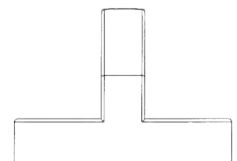
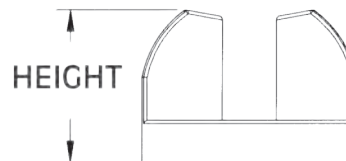
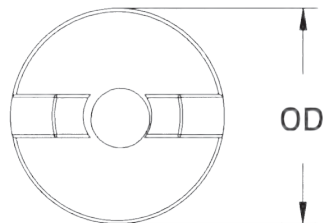


WING NUTS

Molded in **Natural Nylon 6/6**



ITEM NUMBER	SCREW SIZE	THREAD	OD *REF.	HEIGHT
0600440WN	4	440	.90 (22,86)	.48 (12,19)
0600632WN	6	632	.90 (22,86)	.48 (12,19)
0600832WN	8	832	.90 (22,86)	.48 (12,19)
0601024WN	10	1024	.90 (22,86)	.48 (12,19)
0601032WN	10	1032	.90 (22,86)	.48 (12,19)
0601024WNA	10	1024	1.09 (27,69)	.63 (16,00)
0601032WNA	10	1032	1.09 (27,69)	.63 (16,00)
0625020WNA	1/4	1/4-20	1.090 (27,69)	.63 (16,00)
0625028WNA	1/4	1/4-28	1.09 (27,69)	.63 (16,00)
0625020WN	1/4	1/4-20	1.36 (34,54)	.71 (18,03)
0625028WN	1/4	1/4-28	1.36 (34,54)	.71 (18,03)
0631218WN	5/16	5/16-18	1.37 (34,80)	.72 (18,29)
0637516WN	3/8	3/8-16	1.37 (34,80)	.72 (18,29)
0637524WN	3/8	3/8-24	1.37 (34,80)	.72 (18,29)
0643714WN	7/16	7/16-14	1.76 (44,70)	.90 (22,86)
0650013WN	1/2	1/2-13	1.76 (44,70)	.90 (22,86)
0656212WN	9/16	9/16-12	1.76 (44,70)	.90 (22,86)



MATERIAL: CLEAR COPOLYESTER

CAN BE USED WITH TRANSPARENT POLYCARBONATE SCREWS

CLEAR DECORATIVE WING NUT

Molded in **Clear Copolyester**



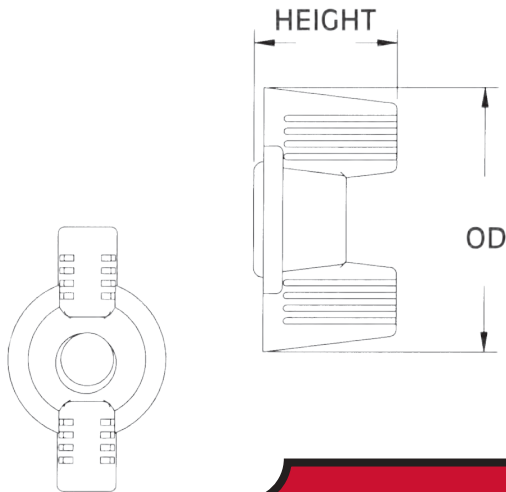
Transparent

ITEM NUMBER	SCREW SIZE	THREAD	OD	HEIGHT
0600832WNC	8	832	5/8 (15,87)	29/64 (11,50)
0601024WNC	10	1024	5/8 (15,87)	29/64 (11,50)
0601032WNC	10	1032	5/8 (15,87)	29/64 (11,50)
0625020WNC	1/4	1/4-20	5/8 (15,87)	29/64 (11,50)

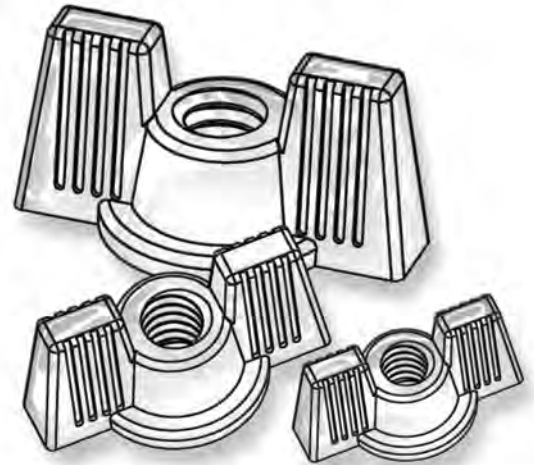
UNIVERSAL NUTS

STOCKED IN NYLON 6/6 UL 94V2 - CAN BE FURNISHED IN ACETAL

SECTION



**METRIC Sizes
Also Available**
Page 275



DECO WING NUTS

Molded in **Natural Nylon 6/6**

ITEM NUMBER	SCREW SIZE	THREAD	REF. OD	HEIGHT
0600440DECOWN	4	440	5/8" (15,88)	5/16" (7,94)
0600632DECOWN	6	632	5/8" (15,88)	5/16" (7,94)
0600832DECOWN	8	832	5/8" (15,88)	5/16" (7,94)
0601024DECOWN	10	1024	7/8" (22,23)	7/16" (11,10)
0601032DECOWN	10	1032	7/8" (22,23)	7/16" (11,10)
0625020DECOWN	1/4	1/4-20	1-11/64" (29,74)	17/32" (13,49)
0631218DECOWN *	5/16	5/16-18	1-9/16" (39,69)	29/64" (11,51)
0637516DECOWN *	3/8	3/8-16	1-9/16" (39,69)	29/64" (11,51)
0637524DECOWN *	3/8	3/8-24	1-9/16" (39,67)	29/64" (11,51)

*PART IS FLUSH ACROSS WINGS

LOCKING DECO WING NUTS

Molded in **Natural Nylon 6/6**

Similar to our standard wing nut, except with a molded-in locking thread. Use for applications which require higher torque, vibration resistance or a more secure assembly.

**METRIC Sizes
Also Available**
Page 275

ITEM NUMBER	SCREW SIZE	THREAD	REF. OD	HEIGHT
0600440DLWN	4	440	5/8" (15,88)	5/16" (7,94)
0600632DLWN	6	632	5/8" (15,88)	5/16" (7,94)
0600832DLWN	8	832	5/8" (15,88)	5/16" (7,94)
0601024DLWN	10	1024	7/8" (22,23)	7/16" (11,10)
0601032DLWN	10	1032	7/8" (22,23)	7/16" (11,10)
0625020DLWN	1/4	1/4-20	1-11/64" (29,74)	17/32" (13,49)
0631218DLWN *	5/16	5/16-18	1-9/16" (39,69)	29/64" (11,51)

*PART IS FLUSH ACROSS WINGS

WASHERS, SHOULDER WASHERS & SCREW INSULATORS

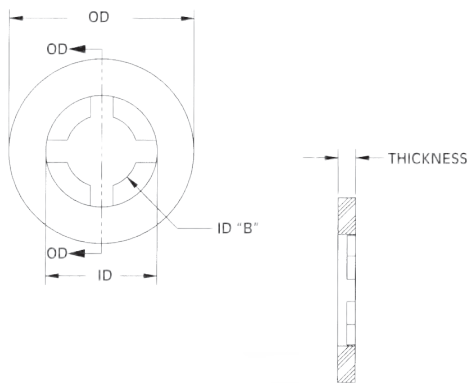
SECTION IV

RETAINING WASHERS

Molded in **Natural Nylon 6/6**

Similar to our standard flat washers, but with a specially configured I.D. designed to grip the outside of the screw shank. The washer slides on the screw easily, but is retained on the screw. For use in applications requiring pre-assembly of the screw and washer, to reduce final assembly cost.

Other sizes will be tooled on request.

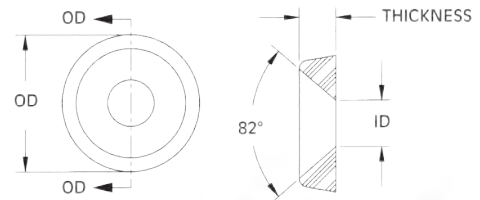


ITEM NUMBER	SCREW SIZE	OD	ID	ID "B"	THICKNESS
16FWRT002032	2	13/64 (5,16)	.115 (2,92)	.078 (1,98)	.032 (0,81)
16FWRT002062	2	13/64 (5,16)	.115 (2,92)	.078 (1,98)	.062 (1,58)
16FWRT004032	4	17/64 (6,75)	.156 (3,96)	.102 (2,59)	.032 (0,81)
16FWRT004050	4	1/4 (25,40)	.156 (3,96)	.102 (2,59)	.050 (1,27)
16FWRT004062	4	17/64 (6,75)	.156 (3,96)	.102 (2,59)	.062 (1,58)
16FWRT004125	4	17/64 (6,75)	.156 (3,96)	.102 (2,59)	.125 (3,18)
16FWRT006032	6	21/64 (8,33)	.198 (5,03)	.128 (3,25)	.032 (0,81)
16FWRT006062	6	21/64 (8,33)	.198 (5,03)	.128 (3,25)	.062 (1,58)
16FWRT007062	7	.750 (19,05)	.375 (9,53)	.215 (5,46)	.062 (1,58)
16FWRT007062A	7	1.000 (25,40)	.375 (9,53)	.215 (5,46)	.062 (1,58)
16FWRT008032	8	25/64 (9,92)	.235 (5,97)	.152 (3,86)	.032 (0,81)
16FWRT008032A	8	.390 (9,91)	.235 (5,97)	.135 (3,43)	.032 (0,81)
16FWRT008032C	8	.328 (8,33)	.235 (5,96)	.152 (3,86)	.032 (0,81)
16FWRT008045	8	.453 (11,51)	.218 (5,54)	.135 (3,43)	.045 (1,14)
16FWRT008062	8	25/64 (9,92)	.235 (5,97)	.152 (3,86)	.062 (1,58)
16FWRT010032	10	29/64 (11,51)	.277 (7,04)	.177 (4,50)	.032 (0,81)
16FWRT010059	10	.787 (19,99)	.275 (6,99)	.177 (4,50)	.059 (1,50)
16FWRT010062	10	29/64 (11,51)	.277 (7,04)	.177 (4,50)	.062 (1,58)
16FWRT010062A	10	1/2 (12,70)	.277 (7,04)	.177 (4,50)	.062 (1,58)
16FWRT010062C	10	.630 (16,00)	.277 (7,04)	.177 (4,50)	.062 (1,58)
16FWRT250032	1/4	19/32 (15,08)	.375 (9,53)	.234 (5,94)	.032 (0,81)
16FWRT250032A	1/4	.500 (12,70)	.344 (8,74)	.234 (5,94)	.032 (0,81)
16FWRT250062	1/4	19/32 (15,08)	.375 (9,53)	.234 (5,94)	.062 (1,58)
16FWRT250062A	1/4	1-1/2 (38,10)	.450 (11,43)	.234 (5,94)	.062 (1,58)
16FWRT250062C	1/4	1-1/2 (38,10)	.375 (9,53)	.234 (5,94)	.062 (1,58)
16FWRT250062E	1/4	.734 (18,64)	.375 (9,53)	.234 (5,94)	.062 (1,57)
16FWRT312032	5/16	47/64 (18,65)	.470 (11,94)	.292 (7,42)	.032 (0,81)
16FWRT312062	5/16	47/64 (18,65)	.470 (11,94)	.292 (7,42)	.062 (1,58)
16FWRT375032	3/8	57/64 (22,62)	.564 (14,33)	.350 (8,89)	.032 (0,81)
16FWRT375062	3/8	57/64 (22,62)	.564 (14,33)	.350 (8,89)	.062 (1,58)
16FWRT375062A	3/8	1.260 (32,00)	.563 (14,30)	.350 (8,89)	.062 (1,58)
16FWRT375062C	3/8	47/64 (18,65)	.564 (14,33)	.350 (8,89)	.062 (1,58)
16FWRT437032	7/16	1-1/32 (26,19)	.570 (14,48)	.410 (10,41)	.032 (0,81)
16FWRT437062	7/16	1-1/32 (26,19)	.570 (14,48)	.410 (10,41)	.062 (1,58)
16FWRT500032	1/2	1-1/8 (28,58)	.690 (17,53)	.468 (11,89)	.032 (0,81)
16FWRT500062	1/2	1-1/8 (28,58)	.690 (17,53)	.468 (11,89)	.062 (1,58)
16FWRT875062	7/8	1-11/32 (34,14)	.940 (23,88)	.825 (20,96)	.062 (1,58)
16FWRT999062	1	1.385 (35,18)	1.070 (27,18)	.970 (24,64)	.062 (1,58)

FINISHING WASHERS

Molded in **Natural Nylon 6/6**

Available in natural or black nylon, these molded washers protect cabinets from scratching, cover misaligned holes, etc. May also be used as glides, bumpers, feet, and spacers.



ITEM NUMBER	FITS SCREW	OD	ID	THICKNESS
11SFW0006	6	.437 (11,10)	.143 (3,63)	.100 (2,54)
11SFW0008	8	.510 (12,95)	.171 (4,34)	.115 (2,92)
11SFW0010	10	.575 (14,61)	.196 (4,98)	.152 (3,86)
11SFW0012	12	.609 (15,47)	.225 (5,75)	.160 (4,06)
11SFW0025	1/4	.683 (17,35)	.260 (6,61)	.180 (4,57)

STANDARD FLAT WASHERS

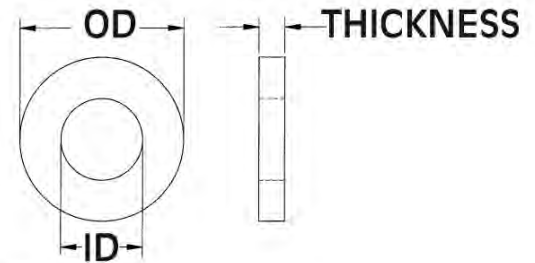
Molded in **Natural Nylon 6/6**

We will also tool custom flat washers for a nominal engineering charge .

METRIC Sizes
Also Available

Page 277

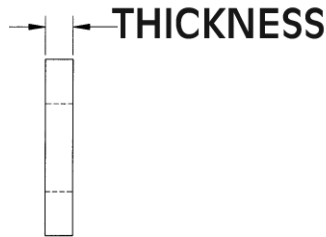
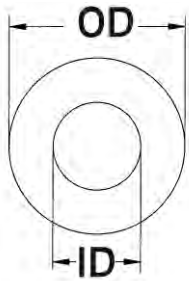
ITEM NUMBER	DESCRIPTION	OD	ID	THICKNESS
16FW002032	FW 2-032	1/4 (6,35)	.090 (2,29)	.032 (0,81)
16FW002062	FW 2-062	1/4 (6,35)	.090 (2,29)	.062 (1,58)
16FW002093	FW 2-093	1/4 (6,35)	.090 (2,29)	.093 (2,36)
16FW002125	FW 2-125	1/4 (6,35)	.090 (2,29)	.125 (3,18)
16FW004032	FW 4-032	1/4 (6,35)	.115 (2,92)	.032 (0,81)
16FW004062	FW 4-062	1/4 (6,35)	.115 (2,92)	.062 (1,58)
16FW004093	FW 4-093	1/4 (6,35)	.115 (2,92)	.093 (2,36)
16FW004125	FW 4-125	1/4 (6,35)	.115 (2,92)	.125 (3,18)
16FW006032	FW 6-032	5/16 (7,94)	.140 (3,56)	.032 (0,81)
16FW006062	FW 6-062	5/16 (7,94)	.140 (3,56)	.062 (1,58)
16FW006093	FW 6-093	5/16 (7,94)	.140 (3,56)	.093 (2,36)
16FW006125	FW 6-125	5/16 (7,94)	.140 (3,56)	.125 (3,18)
16FW008032	FW 8-032	3/8 (9,53)	.171 (4,34)	.032 (0,81)
16FW008062	FW 8-062	3/8 (9,53)	.171 (4,34)	.062 (1,58)
16FW008093	FW 8-093	3/8 (9,53)	.171 (4,34)	.093 (2,36)
16FW008125	FW 8-125	3/8 (9,53)	.171 (4,34)	.125 (3,18)
16FW010032	FW 10-032	3/8 (9,53)	.194 (4,93)	.032 (0,81)
16FW010062	FW 10-062	3/8 (9,53)	.194 (4,93)	.062 (1,58)
16FW010093	FW 10-093	3/8 (9,53)	.194 (4,93)	.093 (2,36)
16FW010125	FW 10-125	3/8 (9,53)	.194 (4,93)	.125 (3,18)
16FW250032	FW 250-032	1/2 (12,70)	.257 (6,53)	.032 (0,81)
16FW250062	FW 250-062	1/2 (12,70)	.257 (6,53)	.062 (1,58)
16FW250093	FW 250-093	1/2 (12,70)	.257 (6,53)	.093 (2,36)
16FW250125	FW 250-125	1/2 (12,70)	.257 (6,53)	.125 (3,18)
16FW312032	FW 312-032	1/2 (12,70)	.317 (8,05)	.032 (0,81)
16FW312062	FW 312-062	1/2 (12,70)	.317 (8,05)	.062 (1,58)
16FW312093	FW 312-093	1/2 (12,70)	.317 (8,05)	.093 (2,36)
16FW312125	FW 312-125	1/2 (12,70)	.317 (8,05)	.125 (3,18)
16FW375032	FW 375-032	5/8 (15,88)	.375 (9,53)	.032 (0,81)
16FW375062	FW 375-062	5/8 (15,88)	.380 (9,65)	.062 (1,58)
16FW375093	FW 375-093	5/8 (15,88)	.380 (9,65)	.093 (2,36)
16FW375125	FW 375-125	5/8 (15,88)	.380 (9,65)	.125 (3,18)
16FW437032	FW 437-032	3/4 (19,05)	.443 (11,25)	.032 (0,81)
16FW437062	FW 437-062	3/4 (19,05)	.443 (11,25)	.062 (1,58)
16FW437093	FW 437-093	3/4 (19,05)	.443 (11,25)	.093 (2,36)
16FW437125	FW 437-125	3/4 (19,05)	.443 (11,25)	.125 (3,18)
16FW500032	FW 500-032	3/4 (19,05)	.505 (12,83)	.032 (0,81)
16FW500062	FW 500-062	3/4 (19,05)	.505 (12,83)	.062 (1,58)
16FW500093	FW 500-093	3/4 (19,05)	.505 (12,83)	.093 (2,36)
16FW500125	FW 500-125	3/4 (19,05)	.505 (12,83)	.125 (3,18)



WASHERS, SHOULDER WASHERS & SCREW INSULATORS

SECTION IV

**New
SIZES**



SPECIAL FLAT WASHERS

Molded in **Natural Nylon 6/6**

ITEM NUMBER	DESCRIPTION	OD	ID	THICKNESS
17W00850	W 850	.085 (2,16)	.032 (0,81)	.062 (1,57)
17W00901	W 901	.090 (2,29)	.031 (0,79)	.031 (0,79)
17W01001	W 1001	.100 (2,54)	.035 (0,89)	.020 (0,51)
17W01010	W 1010	.125 (3,17)	.047 (1,19)	.125 (3,17)
17W01011	W 1011	.125 (3,18)	.032 (0,81)	.060 (1,57)
17W01012	W 1012	.120 (3,05)	.063 (1,60)	.180 (4,57)
17W01013	W 1013	.120 (3,05)	.045 (1,14)	.130 (3,30)
17W01014	W 1014	.120 (3,05)	.055 (1,40)	.080 (2,03)
17W01015	W 1015	.120 (3,05)	.090 (2,29)	.180 (4,57)
17W01016	W 1016	.125 (3,18)	.059 (1,50)	.125 (3,18)
17W01017	W 1017	.125 (3,18)	.070 (1,78)	.090 (2,29)
17W01018	W 1018	.127 (3,23)	.065 (1,65)	.040 (1,02)
17W01019	W 1019	.125 (3,17)	.070 (1,77)	.062 (1,57)
17W01020	W 1020	.125 (3,17)	.091 (2,31)	.125 (3,18)
17W01021	W 1021	.120 (3,04)	.062 (1,57)	.079 (2,00)
17W01022	W 1022	.125 (3,17)	.064 (1,62)	.312 (7,92)
17W01023	W 1023	.125 (3,18)	.062 (1,57)	.080 (2,03)
17W01045	W 1045	.156 (3,96)	.031 (0,79)	.062 (1,57)
17W01381	W 1381	.138 (3,51)	.040 (1,02)	.033 (0,84)
17W01480	W 1480	.148 (3,76)	.085 (2,16)	.062 (1,57)
17W01481	W 1481	.145 (3,68)	.071 (1,80)	.067 (1,70)
17W01550	W 1550	.150 (3,81)	.094 (2,38)	.035 (0,88)
17W01551	W 1551	.195 (4,95)	.110 (2,79)	.057 (1,44)
17W01552	W 1552	.257 (6,52)	.169 (4,29)	.063 (1,60)
17W01560	W 1560	.156 (3,96)	.050 (1,27)	.200 (5,08)
17W01561	W 1561	.156 (3,96)	.085 (2,16)	.200 (5,08)
17W01562	W 1562	.156 (3,96)	.091 (2,31)	.250 (6,35)
17W01566	W 1566	.156 (3,96)	.076 (1,93)	.062 (1,57)
17W01581	W 1581	.158 (4,01)	.110 (2,79)	.070 (1,79)
17W01582	W 1582	.157 (3,99)	.102 (2,59)	.098 (2,49)
17W01701	W 1701	.170 (4,32)	.038 (0,97)	.060 (1,52)
17W01702	W 1702	.182 (4,62)	.120 (3,05)	.125 (3,17)
17W01783	W 1783	.167 (4,24)	.106 (2,69)	.039 (0,99)
17W01784	W 1784	.178 (4,52)	.098 (2,49)	.045 (1,14)
17W01785	W 1785	.170 (4,32)	.110 (2,79)	.020 (0,51)
17W01786	W 1786	.165 (4,19)	.085 (2,15)	.056 (1,42)
17W01790	W 1790	.177 (4,49)	.112 (2,84)	.118 (2,99)
17W01791	W 1791	.179 (4,55)	.065 (1,65)	.078 (1,98)
17W01801	W 1801	.187 (4,75)	.125 (3,18)	.050 (1,27)
17W01802	W 1802	.180 (4,57)	.139 (3,53)	.064 (1,63)
17W01803	W 1803	.186 (4,72)	.098 (2,49)	.030 (1,02)
17W01804	W 1804	.187 (4,75)	.120 (3,05)	.060 (1,52)
17W01805	W 1805	.187 (4,75)	.086 (2,18)	.130 (3,30)
17W01806	W 1806	.187 (4,75)	.145 (3,68)	.050 (1,27)
17W01807	W 1807	.187 (4,75)	.120 (3,05)	.032 (0,81)
17W01809	W 1809	.187 (4,75)	.141 (3,58)	.125 (3,18)
17W01811	W 1811	.187 (4,75)	.115 (2,92)	.165 (4,19)
17W01812	W 1812	.188 (4,78)	.089 (2,26)	.141 (3,58)
17W01813	W 1813	.187 (4,75)	.116 (2,95)	.109 (2,77)
17W01814	W 1814	.188 (4,78)	.115 (2,92)	.040 (1,02)
17W01815	W 1815	.190 (4,83)	.094 (2,39)	.020 (0,51)
17W01816	W 1816	.187 (4,74)	.093 (2,36)	.078 (1,98)
17W01825	W 1825	.196 (4,98)	.085 (2,16)	.031 (0,79)
17W01870	W 1870	.187 (4,75)	.120 (3,05)	.062 (1,57)
17W01871	W 1871	.185 (4,70)	.051 (1,30)	.132 (3,35)



WASHERS, SHOULDER WASHERS & SCREW INSULATORS

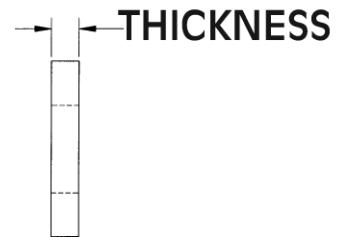
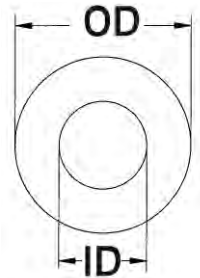
SECTION
IV

SPECIAL FLAT WASHERS

Molded in **Natural Nylon 6/6**

ITEM NUMBER	DESCRIPTION	OD	ID	THICKNESS
17W01872	W 1872	.187 (4,75)	.091 (2,31)	.080 (2,03)
17W01874	W 1874	.187 (4,75)	.120 (3,05)	.156 (3,96)
17W01875	W 1875	.187 (4,75)	.130 (3,30)	.150 (3,81)
17W01876	W 1876	.187 (4,75)	.090 (2,29)	.175 (4,45)
17W01877	W 1877	.185 (4,69)	.131 (3,32)	.171 (4,34)
17W01900	W 1900	.199 (5,05)	.115 (2,95)	.050 (1,27)
17W01906	W 1906	.206 (5,23)	.112 (2,84)	.053 (1,35)
17W01910	W 1910	.190 (4,83)	.120 (3,05)	.100 (2,54)
17W01950	W 1950	.197 (5,00)	.115 (2,92)	.030 (0,76)
17W01970	W 1970	.197 (5,00)	.100 (2,54)	.156 (3,96)
17W01971	W 1971	.197 (5,00)	.067 (1,70)	.154 (3,91)
17W01994	W 1994	.199 (5,05)	.125 (3,18)	.045 (1,14)
17W02181	W 2181	.218 (5,54)	.120 (3,05)	.037 (0,94)
17W02182	W 2182	.216 (5,48)	.134 (3,40)	.067 (1,70)
17W02183	W 2183	.220 (5,59)	.122 (3,10)	.128 (3,25)
17W02190	W 2190	.220 (5,59)	.104 (2,64)	.031 (0,79)
17W02191	W 2191	.219 (5,56)	.094 (2,39)	.100 (2,54)
17W02192	W 2192	.228 (5,79)	.122 (3,10)	.093 (2,36)
17W02245	W 2245	.225 (5,72)	.150 (3,81)	.045 (1,14)
17W02251	W 2251	.225 (5,72)	.125 (3,18)	.100 (2,54)
17W02252	W 2252	.225 (5,72)	.150 (3,81)	.090 (2,29)
17W02348	W 2348	.344 (8,73)	.239 (6,07)	.125 (3,18)
17W02349	W 2349	.234 (5,94)	.141 (3,58)	.095 (2,41)
17W02350	W 2350	.235 (5,97)	.125 (3,18)	.040 (1,02)
17W02351	W 2351	.236 (5,99)	.126 (3,20)	.079 (2,01)
17W02352	W 2352	.236 (5,99)	.148 (3,76)	.118 (3,00)
17W02353	W 2353	.236 (5,99)	.126 (3,20)	.187 (1,57)
17W02354	W 2354	.236 (5,99)	.142 (3,60)	.045 (1,14)
17W02401	W 2401	.240 (6,10)	.113 (2,87)	.040 (1,02)
17W02450	W 2450	.245 (6,22)	.195 (4,95)	.125 (3,18)
17W02451	W 2451	.245 (6,22)	.128 (3,25)	.093 (2,36)
17W02452	W 2452	.236 (5,99)	.102 (2,59)	.098 (2,49)
17W02453	W 2453	.245 (6,22)	.195 (4,95)	.062 (1,57)
17W02460	W 2460	.248 (6,30)	.171 (4,34)	.100 (2,54)
17W02500	W 2500	.250 (6,35)	.120 (3,05)	.140 (3,56)
17W02501	W 2501	.250 (6,35)	.160 (4,07)	.062 (1,57)
17W02502	W 2502	.250 (6,35)	.126 (3,20)	.025 (0,64)
17W02503	W 2503	.250 (6,35)	.090 (2,29)	.055 (1,40)
17W02504	W 2504	.250 (6,35)	.141 (3,58)	.062 (1,57)
17W02505	W 2505	.260 (6,60)	.140 (3,56)	.080 (2,03)
17W02506	W 2506	.250 (6,35)	.125 (3,18)	.095 (2,41)
17W02507	W 2507	.250 (6,35)	.140 (3,56)	.094 (2,39)
17W02508	W 2508	.250 (6,35)	.125 (3,18)	.062 (1,57)
17W02509	W 2509	.250 (6,35)	.171 (4,34)	.100 (2,54)
17W02510	W 2510	.250 (6,35)	.187 (4,75)	.130 (3,30)
17W02511	W 2511	.250 (6,35)	.142 (3,61)	.110 (2,79)
17W02512	W 2512	.250 (6,35)	.147 (3,73)	.125 (3,18)
17W02513	W 2513	.250 (6,35)	.143 (3,63)	.082 (2,08)
17W02514	W 2514	.250 (6,35)	.166 (4,22)	.082 (2,08)
17W02515	W 2515	.250 (6,35)	.140 (3,56)	.150 (3,81)
17W02516	W 2516	.251 (6,38)	.151 (3,84)	.035 (0,88)
17W02517	W 2517	.250 (6,35)	.156 (3,96)	.100 (2,54)
17W02518	W 2518	.250 (6,35)	.125 (3,18)	.150 (3,81)
17W02519	W 2519	.251 (6,38)	.155 (3,94)	.077 (1,96)
17W02520	W 2520	.250 (6,35)	.166 (4,22)	.061 (1,55)

**New
SIZES**



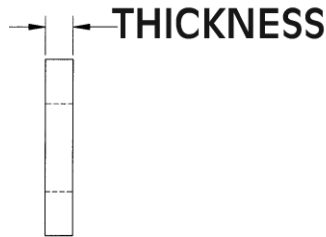
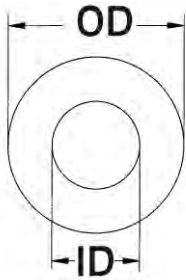
WASHERS, SHOULDER WASHERS & SCREW INSULATORS

SECTION IV

SPECIAL FLAT WASHERS

Molded in **Natural Nylon 6/6**

**New
SIZES**



ITEM NUMBER	DESCRIPTION	OD	ID	THICKNESS
17W02521	W 2521	.250 (6,35)	.147 (3,73)	.156 (3,96)
17W02522	W 2522	.250 (6,35)	.091 (2,31)	.165 (4,19)
17W02523	W 2523	.250 (6,35)	.163 (4,14)	.202 (5,13)
17W02524	W 2524	.250 (6,35)	.161 (4,08)	.170 (4,31)
17W02525	W 2525	.250 (6,35)	.171 (4,34)	.053 (1,34)
17W02526	W 2526	.250 (6,35)	.156 (3,96)	.150 (3,81)
17W02527	W 2527	.250 (6,35)	.171 (4,34)	.147 (3,73)
17W02528	W 2528	.250 (6,35)	.115 (2,92)	.065 (1,65)
17W02563	W 2563	.255 (6,47)	.198 (5,02)	.091 (2,31)
17W02564	W 2564	.256 (6,50)	.187 (4,75)	.045 (1,14)
17W02565	W 2565	.254 (6,45)	.161 (4,09)	.219 (5,56)
17W02590	W 2590	.250 (6,35)	.081 (2,06)	.025 (0,63)
17W02591	W 2591	.259 (6,58)	.081 (2,06)	.062 (1,57)
17W02595	W 2595	.295 (7,49)	.135 (3,43)	.127 (3,23)
17W02751	W 2751	.275 (6,99)	.120 (3,05)	.062 (1,57)
17W02752	W 2752	.270 (6,86)	.207 (5,26)	.05 (1,27)
17W02753	W 2753	.276 (7,01)	.138 (3,50)	.035 (0,88)
17W02754	W 2754	.283 (7,18)	.208 (5,28)	.072 (1,82)
17W02781	W 2781	.280 (7,11)	.210 (5,33)	.125 (3,18)
17W02801	W 2801	.280 (7,11)	.120 (3,05)	.145 (3,68)
17W02810	W 2810	.280 (7,11)	.150 (3,81)	.108 (2,74)
17W02811	W 2811	.288 (7,32)	.120 (3,05)	.040 (1,02)
17W02812	W 2812	.290 (7,38)	.115 (2,92)	.047 (1,19)
17W02813	W 2813	.280 (7,11)	.120 (3,05)	.030 (0,76)
17W02814	W 2814	.281 (7,14)	.120 (3,05)	.020 (0,51)
17W02815	W 2815	.281 (7,14)	.120 (3,05)	.040 (1,02)
17W02816	W 2816	.281 (7,14)	.120 (3,05)	.060 (1,52)
17W02817	W 2817	.280 (7,11)	.155 (3,94)	.160 (4,06)
17W02818	W 2818	.281 (7,14)	.140 (3,56)	.020 (0,51)
17W02819	W 2819	.281 (7,14)	.107 (2,71)	.020 (0,51)
17W02820	W 2820	.290 (7,36)	.196 (4,97)	.030 (0,76)
17W02851	W 2851	.285 (7,24)	.130 (3,30)	.060 (1,52)
17W02852	W 2852	.285 (7,24)	.160 (4,06)	.032 (0,81)
17W02853	W 2853	.280 (7,11)	.200 (5,08)	.093 (2,36)
17W02854	W 2854	.281 (7,14)	.175 (4,44)	.031 (0,79)
17W02862	W 2862	.282 (7,16)	.190 (4,83)	.065 (1,65)
17W02951	W 2951	.295 (7,49)	.220 (5,59)	.127 (3,23)
17W02952	W 2952	.310 (7,87)	.138 (3,50)	.030 (0,76)
17W02953	W 2953	.310 (7,87)	.190 (4,83)	.032 (0,81)
17W02954	W 2954	.310 (7,87)	.185 (4,70)	.032 (0,81)
17W02955	W 2955	.290 (7,37)	.195 (4,95)	.085 (2,16)
17W02956	W 2956	.296 (7,52)	.169 (4,29)	.074 (1,88)
17W02957	W 2957	.312 (7,92)	.192 (4,88)	.092 (2,34)
17W03070	W 3070	.307 (7,80)	.210 (5,33)	.125 (3,18)
17W03071	W 3071	.307 (7,80)	.144 (3,66)	.059 (1,50)
17W03101	W 3101	.310 (7,87)	.160 (4,06)	.060 (1,52)
17W03118	W 3118	.312 (7,92)	.189 (4,80)	.564 (14,32)
17W03121	W 3121	.312 (7,92)	.187 (4,75)	.050 (1,27)
17W03122	W 3122	.312 (7,92)	.095 (2,41)	.062 (1,57)
17W03123	W 3123	.318 (8,08)	.130 (3,30)	.062 (1,57)
17W03124	W 3124	.312 (7,92)	.110 (2,79)	.125 (3,18)
17W03125	W 3125	.312 (7,92)	.062 (1,57)	.125 (3,18)
17W03126	W 3126	.312 (7,92)	.115 (2,92)	.140 (3,56)
17W03127	W 3127	.312 (7,92)	.140 (3,56)	.047 (1,19)
17W03128	W 3128	.320 (8,13)	.156 (3,96)	.031 (0,79)
17W03129	W 3129	.312 (7,92)	.228 (5,79)	.250 (6,35)
17W03130	W 3130	.312 (7,92)	.162 (4,11)	.062 (1,57)



WASHERS, SHOULDER WASHERS & SCREW INSULATORS

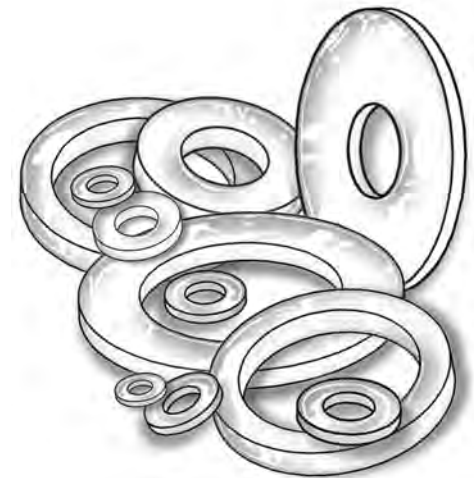
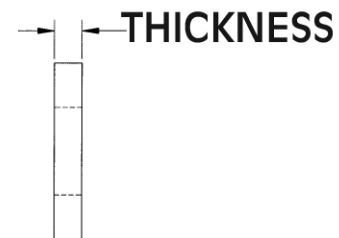
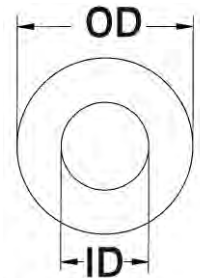
SECTION
IV

SPECIAL FLAT WASHERS

Molded in **Natural Nylon 6/6**

ITEM NUMBER	DESCRIPTION	OD	ID	THICKNESS
17W03131	W 3131	.312 (7,92)	.150 (3,81)	.020 (0,51)
17W03132	W 3132	.312 (7,92)	.125 (3,18)	.032 (0,81)
17W03133	W 3133	.312 (7,92)	.262 (6,65)	.127 (3,23)
17W03134	W 3134	.312 (7,92)	.150 (3,81)	.030 (0,76)
17W03135	W 3135	.312 (7,92)	.192 (4,88)	.110 (2,79)
17W03136	W 3136	.313 (7,95)	.217 (5,51)	.125 (3,18)
17W03137	W 3137	.312 (7,92)	.150 (3,81)	.040 (1,02)
17W03138	W 3138	.312 (7,92)	.150 (3,81)	.050 (1,27)
17W03139	W 3139	.312 (7,92)	.150 (3,81)	.060 (1,52)
17W03140	W 3140	5/16 (7,94)	5/32 (3,96)	1/8 (3,18)
17W03141	W 3141	.314 (7,98)	.110 (2,79)	.062 (1,57)
17W03142	W 3142	.312 (7,92)	.260 (6,60)	.070 (1,78)
17W03143	W 3143	.316 (8,03)	.100 (2,54)	.033 (0,84)
17W03144	W 3144	.312 (7,92)	.216 (5,48)	.080 (2,03)
17W03145	W 3145	.312 (7,92)	.063 (1,60)	.090 (2,29)
17W03146	W 3146	.312 (7,92)	.140 (3,56)	.020 (0,51)
17W03147	W 3147	.312 (7,92)	.214 (5,43)	.120 (3,04)
17W03148	W 3148	.315 (8,00)	.125 (3,18)	.031 (0,79)
17W03149	W 3149	.315 (8,00)	.165 (4,19)	.236 (6,00)
17W03150	W 3150	.315 (8,00)	.157 (3,98)	.197 (5,00)
17W03151	W 3151	.312 (7,92)	.260 (6,60)	.109 (2,77)
17W03152	W 3152	.313 (7,95)	.216 (5,48)	.049 (1,24)
17W03153	W 3153	.312 (7,92)	.188 (4,77)	.079 (2,00)
17W03154	W 3154	.312 (7,92)	.188 (4,77)	.120 (3,04)
17W03221	W 3221	.322 (8,18)	.128 (3,25)	.062 (1,57)
17W03223	W 3223	.330 (8,38)	.189 (4,80)	.080 (2,03)
17W03280	W 3280	.329 (8,36)	.150 (3,81)	.060 (1,52)
17W03281	W 3281	.335 (8,51)	.280 (7,11)	.195 (4,95)
17W03282	W 3282	.332 (8,43)	.255 (6,48)	.142 (3,61)
17W03351	W 3351	.335 (8,51)	.190 (4,83)	.032 (0,81)
17W03352	W 3352	.335 (8,50)	.255 (6,47)	.150 (3,81)
17W03412	W 3412	.434 (11,02)	.190 (4,83)	1/8 (3,17)
17W03450	W 3450	.345 (8,76)	.218 (5,54)	.032 (0,81)
17W03451	W 3451	.345 (8,76)	.252 (6,40)	.125 (3,17)
17W03480	W 3480	.348 (8,84)	.222 (5,64)	.081 (2,06)
17W03501	W 3501	.350 (8,89)	.240 (6,10)	.040 (1,02)
17W03502	W 3502	.349 (8,86)	.216 (5,48)	.091 (2,31)
17W03505	W 3505	.355 (9,02)	.130 (3,30)	.062 (1,57)
17W03506	W 3506	.356 (9,04)	.179 (4,55)	.118 (3,00)
17W03507	W 3507	.350 (8,89)	.190 (4,83)	.062 (1,57)
17W03510	W 3510	.350 (8,89)	.260 (6,60)	.062 (1,57)
17W03540	W 3540	.354 (8,99)	.169 (4,29)	.031 (0,79)
17W03541	W 3541	.353 (8,97)	.197 (5,00)	.157 (3,99)
17W03542	W 3542	.370 (9,40)	.192 (4,88)	.080 (2,03)
17W03543	W 3543	.372 (9,45)	.090 (2,29)	.078 (1,98)
17W03544	W 3544	.375 (9,52)	.227 (5,77)	.065 (1,65)
17W03545	W 3545	.365 (9,27)	.227 (5,76)	.067 (1,70)
17W03546	W 3546	.375 (9,53)	.115 (2,92)	.187 (4,75)
17W03547	W 3547	.378 (9,60)	.195 (4,95)	.110 (2,79)
17W03548	W 3548	.378 (9,60)	.193 (4,90)	.076 (1,93)
17W03601	W 3601	.374 (9,50)	.220 (5,59)	.062 (1,57)
17W03602	W 3602	.375 (9,52)	.173 (4,39)	.093 (2,36)
17W03603	W 3603	.375 (9,52)	.225 (5,71)	.089 (2,26)
17W03604	W 3604	.377 (9,53)	.158 (4,01)	.032 (0,81)
17W03630	W 3630	.370 (9,40)	.184 (4,67)	.047 (1,19)
17W03631	W 3631	.366 (9,29)	.222 (5,63)	.110 (2,79)
17W03745	W 3745	.370 (9,40)	.143 (3,63)	.156 (3,96)

**New
SIZES**



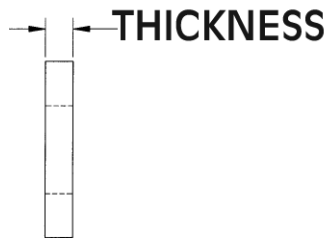
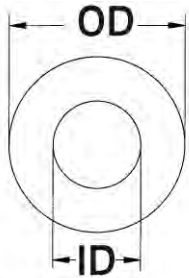
WASHERS, SHOULDER WASHERS & SCREW INSULATORS

SECTION IV

SPECIAL FLAT WASHERS

Molded in **Natural Nylon 6/6**

**New
SIZES**



ITEM NUMBER	DESCRIPTION	OD	ID	THICKNESS
17W03746	W 3746	.375 (9,52)	.192 (4,88)	.115 (2,92)
17W03747	W 3747	.370 (9,40)	.320 (8,13)	.093 (2,36)
17W03748	W 3748	.375 (9,52)	.312 (7,92)	.125 (3,17)
17W03749	W 3749	.370 (9,40)	.192 (4,88)	.125 (3,18)
17W03750	W 3750	.375 (9,52)	.150 (3,81)	.030 (0,76)
17W03751	W 3751	.375 (9,52)	.172 (4,37)	.060 (1,52)
17W03752	W 3752	.375 (9,52)	.190 (4,83)	.065 (1,65)
17W03753	W 3753	.380 (9,65)	.131 (3,33)	.093 (2,36)
17W03754	W 3754	.375 (9,52)	.250 (6,35)	.093 (2,36)
17W03755	W 3755	.375 (9,52)	.218 (5,54)	.032 (0,81)
17W03756	W 3756	.375 (9,52)	.253 (6,43)	.084 (2,13)
17W03757	W 3757	.375 (9,52)	.141 (3,58)	.031 (0,79)
17W03758	W 3758	.375 (9,52)	.125 (3,18)	.040 (1,02)
17W03759	W 3759	.375 (9,52)	.094 (2,39)	.281 (7,14)
17W03760	W 3760	.375 (9,52)	.242 (6,15)	.062 (1,57)
17W03761	W 3761	.375 (9,52)	.210 (5,33)	.160 (4,06)
17W03762	W 3762	.375 (9,52)	.170 (4,32)	.040 (1,02)
17W03763	W 3763	.375 (9,52)	.170 (4,32)	.050 (1,27)
17W03764	W 3764	.375 (9,52)	.189 (4,80)	.031 (0,79)
17W03765	W 3765	.375 (9,52)	.140 (3,56)	.080 (2,03)
17W03766	W 3766	.375 (9,52)	.153 (3,89)	.063 (1,60)
17W03767	W 3767	.377 (9,58)	.221 (5,61)	.095 (2,41)
17W03768	W 3768	.375 (9,52)	.250 (6,35)	.150 (3,81)
17W03769	W 3769	.375 (9,52)	.210 (5,33)	.152 (3,86)
17W03770	W 3770	.375 (9,52)	.130 (3,30)	.030 (0,76)
17W03771	W 3771	.375 (9,52)	.255 (6,48)	.093 (2,36)
17W03772	W 3772	.375 (9,52)	.125 (3,18)	.072 (1,83)
17W03773	W 3773	1.000 (25,40)	.375 (9,53)	.312 (7,92)
17W03775	W 3775	.375 (9,52)	.135 (3,43)	.062 (1,57)
17W03776	W 3776	1.000 (25,40)	3/8 (9,53)	.295 (7,49)
17W03777	W 3777	1.000 (25,40)	.375 (9,52)	.125 (3,17)
17W03778	W 3778	.375 (9,52)	.197 (5,00)	.050 (1,27)
17W03801	W 3801	.380 (9,65)	.200 (5,08)	.030 (0,76)
17W03802	W 3802	.380 (9,65)	.187 (4,75)	.155 (3,94)
17W03820	W 3820	.382 (9,70)	.255 (6,48)	.195 (4,95)
17W03900	W 3900	.390 (9,91)	.125 (3,18)	.063 (1,60)
17W03901	W 3901	.390 (9,91)	.200 (5,08)	.031 (0,79)
17W03902	W 3902	.389 (9,88)	.251 (6,37)	.125 (3,17)
17W03903	W 3903	.390 (9,91)	.328 (8,33)	.079 (2,01)
17W03904	W 3904	.400 (10,16)	.140 (3,56)	.062 (1,57)
17W03905	W 3905	.384 (9,75)	.136 (3,45)	.054 (1,37)
17W04000	W 4000	.400 (10,16)	.200 (5,08)	.093 (2,36)
17W04060	W 4060	.405 (10,29)	.265 (6,73)	.125 (3,18)
17W04061	W 4061	.406 (10,31)	.234 (5,94)	.062 (1,57)
17W04062	W 4062	.406 (10,31)	.192 (4,88)	.062 (1,57)
17W04063	W 4063	.406 (10,31)	.266 (6,76)	.080 (2,03)
17W04064	W 4064	.400 (10,16)	.256 (6,50)	.208 (5,28)
17W04065	W 4065	.423 (10,74)	.225 (5,72)	.055 (1,40)
17W04066	W 4066	.421 (10,69)	.291 (7,39)	.090 (2,29)
17W04067	W 4067	.406 (10,31)	.318 (8,07)	.076 (1,93)
17W04068	W 4068	.406 (10,31)	.291 (7,39)	.203 (5,16)
17W04069	W 4069	.406 (10,31)	.219 (5,56)	.236 (5,99)
17W04081	W 4081	.408 (10,36)	.177 (4,50)	.062 (1,57)
17W04150	W 4150	.415 (10,54)	.229 (5,82)	.102 (2,59)
17W04160	W 4160	.416 (10,57)	.272 (6,91)	.120 (3,05)



WASHERS, SHOULDER WASHERS & SCREW INSULATORS

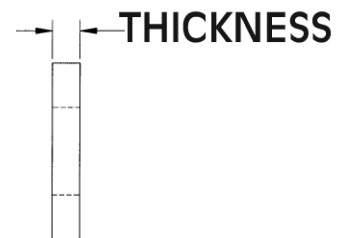
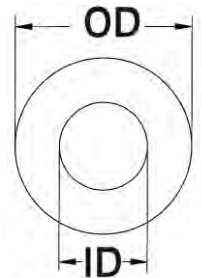
SECTION
IV

SPECIAL FLAT WASHERS

Molded in **Natural Nylon 6/6**

ITEM NUMBER	DESCRIPTION	OD	ID	THICKNESS
17W04250	W 4250	.425 (10,79)	.235 (5,97)	.130 (3,30)
17W04330	W 4330	.435 (11,05)	.209 (5,31)	.039 (0,99)
17W04331	W 4331	.433 (11,00)	.262 (6,65)	.126 (3,20)
17W04332	W 4332	.433 (11,00)	.275 (6,99)	.075 (1,91)
17W04333	W 4333	.433 (11,00)	.244 (6,20)	.054 (1,37)
17W04334	W 4334	.433 (11,00)	.276 (7,01)	.054 (1,37)
17W04348	W 4348	.435 (11,05)	.241 (6,12)	.094 (2,39)
17W04350	W 4350	.435 (11,05)	.202 (5,13)	.187 (4,75)
17W04351	W 4351	.435 (11,05)	.250 (6,35)	.094 (2,39)
17W04352	W 4352	.435 (11,05)	.196 (4,98)	.046 (1,17)
17W04353	W 4353	.438 (11,13)	.218 (5,54)	.156 (3,96)
17W04371	W 4371	.437 (11,10)	.200 (5,08)	.062 (1,57)
17W04372	W 4372	.437 (11,10)	.260 (6,60)	.047 (1,19)
17W04373	W 4373	.437 (11,10)	.195 (4,95)	.031 (0,79)
17W04374	W 4374	.437 (11,10)	.200 (5,08)	.115 (2,92)
17W04375	W 4375	.440 (11,18)	.200 (5,08)	.090 (2,29)
17W04376	W 4376	.437 (11,10)	.195 (4,95)	.020 (0,51)
17W04377	W 4377	.437 (11,10)	.195 (4,95)	.040 (1,02)
17W04378	W 4378	.437 (11,10)	.195 (4,95)	.050 (1,27)
17W04379	W 4379	.437 (11,10)	.195 (4,95)	.060 (1,27)
17W04380	W 4380	7/16 (11,10)	11/32 (8,74)	1/16 (1,57)
17W04381	W 4381	.436 (11,07)	.296 (7,52)	.156 (3,96)
17W04386	W 4386	.438 (11,13)	.156 (3,96)	.062 (1,57)
17W04400	W 4400	.440 (11,18)	.156 (3,96)	.032 (0,81)
17W04401	W 4401	.445 (11,30)	.290 (7,37)	.033 (0,84)
17W04402	W 4402	.440 (11,18)	.187 (4,75)	.093 (2,36)
17W04403	W 4403	.440 (11,18)	.318 (8,08)	.031 (0,79)
17W04404	W 4404	.438 (11,13)	.171 (4,34)	.032 (0,81)
17W04405	W 4405	.442 (11,23)	.310 (7,87)	.170 (4,32)
17W04406	W 4406	.440 (11,17)	.325 (8,25)	.060 (1,52)
17W04430	W 4430	.443 (11,25)	.253 (6,43)	.125 (3,18)
17W04431	W 4431	7/16 (11,11)	.220 (5,59)	5/16 (7,94)
17W04450	W 4450	.450 (11,43)	.225 (5,72)	.048 (1,22)
17W04451	W 4451	.453 (11,51)	.375 (9,52)	.062 (1,57)
17W04452	W 4452	.453 (11,51)	.280 (7,11)	.030 (0,76)
17W04453	W 4453	7/16 (11,11)	.220 (5,59)	1/2 (12,70)
17W04462	W 4462	7/16 (11,11)	.220 (5,59)	5/8 (15,87)
17W04501	W 4501	.450 (11,43)	.200 (5,08)	.048 (1,22)
17W04502	W 4502	.465 (11,81)	.250 (6,35)	.015 (0,38)
17W04503	W 4503	.450 (11,43)	.200 (5,08)	.030 (0,76)
17W04504	W 4504	.468 (11,88)	.241 (6,12)	.250 (6,35)
17W04520	W 4520	.452 (11,48)	.349 (8,86)	.075 (1,91)
17W04601	W 4601	.460 (11,68)	.204 (5,18)	.031 (0,79)
17W04602	W 4602	.472 (11,99)	.209 (5,31)	.108 (2,74)
17W04603	W 4603	.472 (11,99)	.167 (4,24)	.121 (3,07)
17W04604	W 4604	.457 (11,61)	.182 (4,62)	.032 (0,81)
17W04605	W 4605	.470 (11,94)	.093 (2,36)	.250 (6,36)
17W04606	W 4606	.505 (12,82)	.157 (3,98)	.102 (2,59)
17W04607	W 4607	.473 (12,01)	.276 (7,01)	.054 (1,37)
17W04608	W 4608	.472 (11,98)	.315 (8,00)	.039 (0,99)
17W04650	W 4650	.465 (11,81)	.330 (8,38)	.031 (0,79)
17W04651	W 4651	.486 (12,34)	.252 (6,40)	.069 (1,75)
17W04707	W 4707	.750 (19,05)	.313 (7,95)	.050 (1,25)
17W04708	W 4708	.750 (19,05)	.315 (8,00)	.200 (5,08)
17W04718	W 4718	.472 (11,99)	.252 (6,40)	.032 (0,81)

New
SIZES



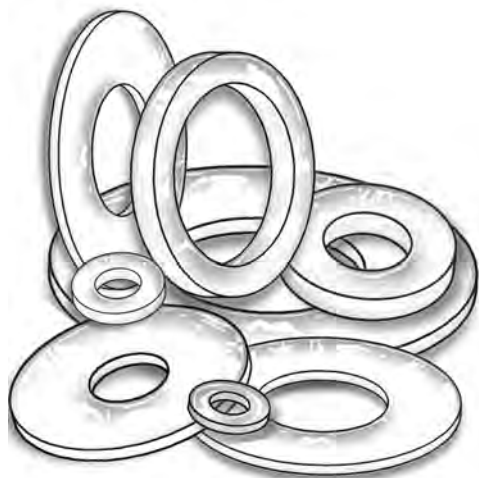
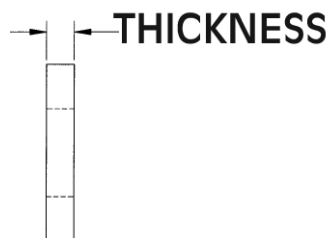
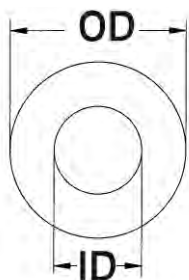
WASHERS, SHOULDER WASHERS & SCREW INSULATORS

SECTION IV

SPECIAL FLAT WASHERS

Molded in **Natural Nylon 6/6**

**New
SIZES**



ITEM NUMBER	DESCRIPTION	OD	ID	THICKNESS
17W04719	W 4719	.492 (12,50)	.209 (5,31)	.020 (0,51)
17W04720	W 4720	.472 (11,99)	.252 (6,40)	.059 (1,50)
17W04721	W 4721	.505 (12,83)	.375 (9,53)	.050 (1,27)
17W04722	W 4722	.472 (11,99)	.350 (8,89)	.110 (2,79)
17W04725	W 4725	.495 (12,57)	.310 (7,87)	.095 (2,41)
17W04900	W 4900	.490 (12,45)	.136 (3,45)	.055 (1,40)
17W04901	W 4901	.490 (12,45)	.375 (9,53)	.087 (2,21)
17W04950	W 4950	.490 (12,45)	.260 (6,60)	.245 (6,22)
17W04951	W 4951	.500 (12,70)	.205 (5,21)	.125 (3,18)
17W04952	W 4952	.502 (12,72)	.101 (2,57)	.040 (1,02)
17W04953	W 4953	.500 (12,70)	.375 (9,53)	.032 (0,81)
17W04960	W 4960	.500 (12,70)	.225 (5,72)	.032 (0,81)
17W05000	W 5000	.500 (12,70)	.165 (4,19)	.075 (1,91)
17W05001	W 5001	.500 (12,70)	.343 (8,71)	.109 (2,77)
17W05002	W 5002	.500 (12,70)	.385 (9,78)	.160 (4,06)
17W05003	W 5003	.490 (12,45)	.281 (7,14)	.030 (0,76)
17W05004	W 5004	.500 (12,70)	.317 (8,05)	.032 (0,81)
17W05005	W 5005	.500 (12,70)	.375 (9,53)	.087 (2,21)
17W05006	W 5006	.500 (12,70)	.312 (7,92)	.156 (3,96)
17W05007	W 5007	.500 (12,70)	.250 (6,35)	.150 (3,81)
17W05008	W 5008	.505 (12,83)	.188 (4,78)	.032 (0,81)
17W05009	W 5009	.500 (12,70)	.255 (6,48)	.075 (1,91)
17W05010	W 5010	.500 (12,70)	.312 (7,92)	.125 (3,18)
17W05012	W 5012	.50 (12,70)	.125 (3,18)	.125 (3,18)
17W05013	W 5013	.500 (12,70)	.320 (8,13)	.170 (4,32)
17W05014	W 5014	.500 (12,70)	.140 (3,56)	.062 (1,57)
17W05015	W 5015	.500 (12,70)	.144 (3,66)	.125 (3,18)
17W05016	W 5016	.500 (12,70)	.219 (5,54)	.156 (3,90)
17W05017	W 5017	.50 (12,70)	.262 (6,65)	.15 (3,81)
17W05018	W 5018	.500 (12,70)	.187 (4,75)	.062 (1,57)
17W05019	W 5019	.500 (12,70)	.175 (4,45)	.062 (1,57)
17W05020	W 5020	.500 (12,70)	.320 (8,13)	.200 (5,08)
17W05021	W 5021	.505 (12,83)	.138 (3,51)	.080 (2,03)
17W05022	W 5022	.495 (12,57)	.147 (3,73)	.298 (7,57)
17W05023	W 5023	.500 (12,70)	.188 (4,78)	.062 (1,57)
17W05024	W 5024	.497 (12,62)	.321 (8,15)	.060 (1,52)
17W05025	W 5025	.500 (12,70)	.140 (3,56)	.043 (1,09)
17W05027	W 5027	1/2 (12,70)	.320 (8,13)	.250 (6,35)
17W05028	W 5028	.500 (12,70)	.320 (8,13)	.281 (7,14)
17W05029	W 5029	.513 (13,03)	.333 (8,45)	.079 (2,00)
17W05079	W 5079	.500 (12,70)	.317 (8,05)	.092 (2,33)
17W05080	W 5080	.500 (12,70)	.219 (5,56)	.093 (2,36)
17W05081	W 5081	.500 (12,70)	.312 (7,92)	.096 (2,44)
17W05082	W 5082	.500 (12,70)	.219 (5,56)	.063 (1,60)
17W05120	W 5120	.510 (12,95)	.193 (4,90)	.050 (1,27)
17W05121	W 5121	.512 (13,00)	.406 (10,31)	.089 (2,26)
17W05122	W 5122	.492 (12,50)	.287 (7,29)	.197 (5,00)
17W05123	W 5123	.512 (13,00)	.405 (10,29)	.054 (1,37)
17W05129	W 5129	.518 (13,16)	.370 (9,40)	.038 (0,97)
17W05230	W 5230	.523 (13,28)	.463 (11,76)	.060 (1,52)
17W05231	W 5231	.538 (13,67)	.272 (6,91)	.047 (1,19)
17W05232	W 5232	.532 (13,51)	.120 (3,05)	.063 (1,60)
17W05251	W 5251	.530 (13,46)	.375 (9,53)	.093 (2,36)
17W05252	W 5252	.528 (13,41)	.402 (10,21)	.039 (0,99)
17W05253	W 5253	.525 (13,34)	.475 (12,07)	.070 (1,78)
17W05254	W 5254	.525 (13,34)	.194 (4,93)	.032 (0,81)
17W05255	W 5255	1.375 (34,93)	.515 (13,08)	.093 (2,36)



WASHERS, SHOULDER WASHERS & SCREW INSULATORS

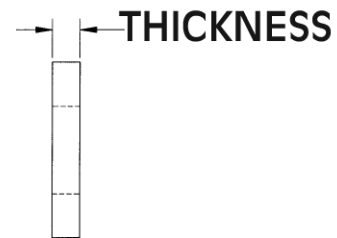
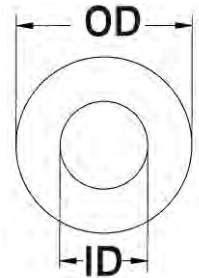
SECTION
IV

SPECIAL FLAT WASHERS

Molded in **Natural Nylon 6/6**

ITEM NUMBER	DESCRIPTION	OD	ID	THICKNESS
17W05310	W 5310	.531 (13,49)	.315 (8,00)	.031 (0,79)
17W05400	W 5400	.540 (13,72)	.405 (10,29)	.112 (2,84)
17W05401	W 5401	.540 (13,72)	.382 (9,70)	.096 (2,44)
17W05421	W 5421	.542 (13,77)	.388 (9,86)	.220 (5,59)
17W05422	W 5422	.542 (13,77)	.404 (10,26)	.097 (2,46)
17W05423	W 5423	.542 (13,77)	.404 (10,26)	.110 (2,79)
17W05424	W 5424	.540 (13,72)	.405 (10,29)	.080 (2,03)
17W05451	W 5451	.555 (14,10)	.363 (9,22)	.062 (1,57)
17W05461	W 5461	.554 (14,07)	.481 (12,22)	.030 (0,76)
17W05510	W 5510	.551 (14,00)	.378 (9,60)	.063 (1,60)
17W05512	W 5512	.550 (13,97)	.386 (9,80)	.060 (1,52)
17W05552	W 5552	.555 (14,10)	.255 (6,48)	.047 (1,19)
17W05553	W 5553	.555 (14,10)	.415 (10,54)	.060 (1,52)
17W05601	W 5601	.560 (14,22)	.265 (6,73)	.030 (0,76)
17W05602	W 5602	.560 (14,22)	.260 (6,60)	.125 (3,18)
17W05603	W 5603	.560 (14,22)	.320 (8,13)	.187 (4,75)
17W05604	W 5604	.531 (13,49)	.265 (6,73)	.062 (1,57)
17W05605	W 5605	.560 (14,22)	.373 (9,47)	.031 (0,79)
17W05606	W 5606	.562 (14,27)	.265 (6,73)	.187 (4,75)
17W05607	W 5607	.560 (14,22)	.290 (7,37)	.062 (1,57)
17W05608	W 5608	.560 (14,22)	.315 (8,00)	.062 (1,57)
17W05609	W 5609	.562 (14,27)	.312 (7,92)	.031 (0,79)
17W05620	W 5620	.562 (14,27)	.141 (3,58)	.062 (1,57)
17W05621	W 5621	.562 (14,27)	.250 (6,35)	.031 (0,79)
17W05622	W 5622	.562 (14,27)	.260 (6,60)	.062 (1,57)
17W05623	W 5623	.565 (14,35)	.203 (5,16)	.062 (1,57)
17W05624	W 5624	.562 (14,27)	.320 (8,13)	.020 (0,51)
17W05625	W 5625	.562 (14,27)	.260 (6,60)	.113 (2,87)
17W05626	W 5626	.562 (14,27)	.256 (6,50)	.250 (6,35)
17W05629	W 5629	.562 (14,27)	.328 (8,33)	.095 (2,41)
17W05630	W 5630	.565 (14,35)	.317 (8,05)	.095 (2,41)
17W05631	W 5631	.568 (14,43)	.253 (6,43)	.093 (2,36)
17W05632	W 5632	.563 (14,30)	.468 (11,89)	.155 (3,94)
17W05633	W 5633	.563 (14,30)	.316 (8,02)	.035 (0,88)
17W05650	W 5650	.565 (14,35)	.254 (6,45)	.094 (2,39)
17W05700	W 5700	37/64 (14,68)	.307 (7,80)	1/8 (3,18)
17W05701	W 5701	.575 (14,61)	.299 (7,59)	.039 (0,99)
17W05702	W 5702	.570 (14,47)	.380 (9,65)	.030 (0,76)
17W05751	W 5751	.575 (14,61)	.467 (11,86)	.090 (2,29)
17W05910	W 5910	.591 (15,01)	.256 (6,50)	.087 (2,21)
17W05911	W 5911	.591 (15,01)	.265 (6,73)	.101 (2,56)
17W05980	W 5980	.598 (15,19)	.396 (10,03)	.175 (4,45)
17W05981	W 5981	.562 (14,27)	.320 (8,13)	.125 (3,18)
17W05982	W 5982	.590 (14,99)	.328 (8,33)	.147 (3,73)
17W05983	W 5983	.591 (15,01)	.374 (9,50)	.118 (3,00)
17W05984	W 5984	.600 (15,24)	.423 (10,74)	.032 (0,81)
17W05985	W 5985	.578 (14,68)	.395 (10,03)	.062 (1,57)
17W06001	W 6001	.600 (15,24)	.500 (12,70)	.120 (3,05)
17W06101	W 6101	.615 (15,62)	.406 (10,31)	.042 (1,07)
17W06140	W 6140	.614 (15,60)	.464 (11,79)	.110 (2,79)
17W06150	W 6150	.615 (15,62)	.260 (6,60)	.100 (2,54)
17W06151	W 6151	.625 (15,88)	.500 (12,70)	.132 (3,35)
17W06152	W 6152	.615 (15,62)	.340 (8,64)	.125 (3,18)
17W06153	W 6153	.625 (15,88)	.406 (10,31)	.120 (3,05)
17W06154	W 6154	.753 (19,13)	.605 (15,37)	.067 (1,70)
17W06155	W 6155	.615 (15,62)	.380 (9,65)	.122 (3,10)
17W06201	W 6201	.620 (15,75)	.265 (6,73)	.192 (4,89)

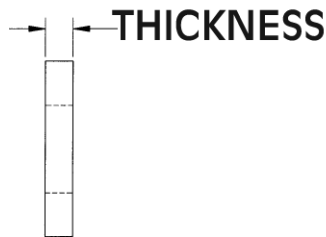
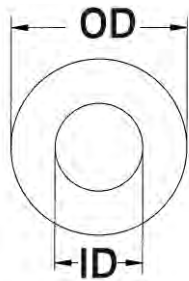
New
SIZES



WASHERS, SHOULDER WASHERS & SCREW INSULATORS

SECTION IV

**New
SIZES**



SPECIAL FLAT WASHERS

Molded in **Natural Nylon 6/6**

ITEM NUMBER	DESCRIPTION	OD		ID		THICKNESS	
17W06203	W 6203	.620	(15,75)	.209	(5,31)	.180	(4,57)
17W06204	W 6204	.620	(15,75)	.350	(8,89)	.188	(4,78)
17W06205	W 6205	.625	(15,88)	.410	(10,41)	.033	(0,83)
17W06206	W 6206	.625	(15,88)	.260	(6,60)	.140	(3,56)
17W06207	W 6207	.625	(15,88)	.438	(11,12)	.032	(0,81)
17W06208	W 6208	.625	(15,87)	.260	(6,60)	.060	(1,52)
17W06221	W 6221	.622	(15,80)	.252	(6,40)	.060	(1,52)
17W06222	W 6222	.625	(15,88)	.250	(6,35)	.190	(4,83)
17W06240	W 6240	.625	(15,88)	.505	(12,83)	.092	(2,34)
17W06248	W 6248	.625	(15,88)	.330	(8,38)	.064	(1,63)
17W06249	W 6249	.625	(15,88)	.260	(6,60)	.180	(4,57)
17W06250	W 6250	.620	(15,75)	.165	(4,19)	.250	(6,35)
17W06251*	W 6251	.620	(15,87)	.301	(7,64)	.039	(0,99)
17W06252	W 6252	.625	(15,88)	.194	(4,93)	.125	(3,18)
17W06253	W 6253	.625	(15,88)	.187	(4,75)	.062	(1,57)
17W06254	W 6254	.625	(15,88)	.218	(5,54)	.062	(1,57)
17W06255	W 6255	.625	(15,88)	.250	(6,35)	.062	(1,57)
17W06256	W 6256	.625	(15,88)	.437	(11,10)	.093	(2,36)
17W06257	W 6257	.625	(15,88)	.125	(3,18)	.062	(1,57)
17W06258	W 6258	.625	(15,88)	.218	(5,54)	.125	(3,18)
17W06259	W 6259	.625	(15,88)	.218	(5,54)	.500	(12,70)
17W06260	W 6260	.625	(15,88)	.218	(5,54)	.250	(6,35)
17W06261	W 6261	.625	(15,88)	.390	(9,91)	.265	(6,73)
17W06262	W 6262	.625	(15,88)	.257	(6,53)	.020	(0,51)
17W06263	W 6263	.625	(15,88)	.281	(7,14)	.110	(2,79)
17W06264	W 6264	.625	(15,88)	.315	(8,00)	.031	(0,79)
17W06265	W 6265	.625	(15,88)	.422	(10,72)	.203	(5,16)
17W06266	W 6266	.625	(15,88)	.321	(8,15)	.125	(3,18)
17W06267	W 6267	.625	(15,88)	.218	(5,54)	.031	(0,79)
17W06268	W 6268	.625	(15,88)	.437	(11,10)	.250	(6,35)
17W06269	W 6269	5/8	(15,87)	.281	(7,14)	.210	(5,33)
17W06270	W 6270	.618	(15,70)	.270	(6,86)	.220	(5,59)
17W06271	W 6271	.630	(16,00)	.327	(8,31)	.071	(1,80)
17W06272	W 6272	.625	(15,88)	.385	(9,78)	.185	(4,70)
17W06273	W 6273	.625	(15,88)	.312	(7,92)	.250	(6,35)
17W06274	W 6274	.625	(15,88)	.284	(7,21)	.062	(1,57)
17W06275	W 6275	.625	(15,88)	.292	(7,42)	.040	(1,02)
17W06276	W 6276	.630	(16,00)	.355	(9,02)	.040	(1,02)
17W06277	W 6277	.625	(15,87)	.380	(9,65)	.050	(1,27)
17W06278	W 6278	.625	(15,87)	.320	(8,12)	.125	(3,17)
17W06279	W 6279	.625	(15,87)	.257	(6,52)	.100	(2,54)
17W06288	W 6288	.630	(16,00)	.394	(10,00)	.079	(2,00)
17W06289	W 6289	.625	(15,88)	.265	(6,73)	.093	(2,36)
17W06302	W 6302	.630	(16,00)	.171	(4,34)	.060	(1,52)
17W06303	W 6303	.638	(16,20)	.283	(7,19)	.077	(1,96)
17W06304	W 6304	.629	(15,98)	.437	(11,10)	.125	(3,18)
17W06305	W 6305	.630	(16,00)	.165	(4,19)	.118	(3,00)
17W06306	W 6306	.626	(15,90)	.182	(4,62)	.045	(1,14)
17W06310	W 6310	.630	(16,00)	.280	(7,11)	.030	(0,76)
17W06311	W 6311	.625	(15,87)	.260	(6,60)	.031	(0,78)
17W06365	W 6365	.636	(16,15)	.526	(13,36)	.098	(2,49)
17W06439	W 6439	.643	(16,33)	.510	(12,95)	.090	(2,29)
17W06440	W 6440	1.122	(28,50)	.644	(16,36)	.217	(5,51)
17W06470	W 6470	.647	(16,43)	.216	(5,48)	.031	(0,78)
17W06500	W 6500	.650	(16,51)	.440	(11,18)	.125	(3,18)

* ID IS CHAMFERED



WASHERS, SHOULDER WASHERS & SCREW INSULATORS

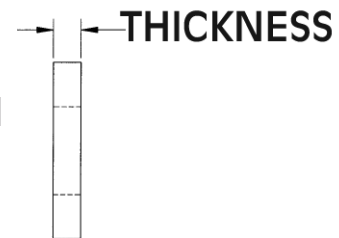
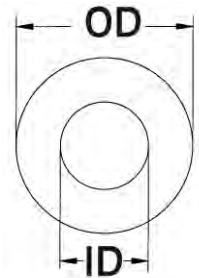
SECTION
IV

SPECIAL FLAT WASHERS

Molded in **Natural Nylon 6/6**

ITEM NUMBER	DESCRIPTION	OD	ID	THICKNESS
17W06501	W 6501	1.190 (30,23)	.650 (16,51)	.090 (2,29)
17W06591	W 6591	.659 (16,74)	.468 (11,89)	.119 (3,02)
17W06592	W 6592	.656 (16,66)	.433 (10,99)	.085 (2,15)
17W06593	W 6593	.670 (17,01)	.250 (6,35)	.098 (2,48)
17W06620	W 6620	.662 (16,81)	.440 (11,18)	.122 (3,10)
17W06701	W 6701	.670 (17,02)	.448 (11,38)	.120 (3,05)
17W06711	W 6711	.671 (17,04)	.481 (12,22)	.031 (0,79)
17W06712	W 6712	.670 (17,02)	.217 (5,51)	.050 (1,27)
17W06713	W 6713	.669 (16,99)	.323 (8,20)	.039 (0,99)
17W06820	W 6820	.682 (17,32)	.170 (4,32)	.062 (1,57)
17W06830	W 6830	.683 (17,35)	.337 (8,56)	.063 (1,60)
17W06851	W 6851	.685 (17,40)	.260 (6,60)	.032 (0,81)
17W06855	W 6855	.685 (17,40)	.295 (7,49)	.062 (1,57)
17W06856	W 6856	.695 (17,65)	.388 (9,85)	.059 (1,50)
17W06866	W 6866	.687 (17,45)	.260 (6,60)	.125 (3,18)
17W06867	W 6867	.687 (17,45)	.343 (8,71)	.031 (0,79)
17W06868	W 6868	.687 (17,45)	.260 (6,60)	.020 (0,51)
17W06869	W 6869	.687 (17,45)	.260 (6,60)	.050 (1,27)
17W06870	W 6870	.687 (17,45)	.344 (8,79)	.064 (1,63)
17W06871	W 6871	.687 (17,45)	.260 (6,60)	.060 (1,52)
17W06872	W 6872	.687 (17,45)	.260 (6,60)	.040 (1,02)
17W06873	W 6873	.687 (17,45)	.421 (10,69)	.031 (0,79)
17W06874	W 6874	.687 (17,45)	.421 (10,69)	.062 (1,57)
17W06875	W 6875	.692 (17,58)	.507 (12,88)	.042 (1,07)
17W06876	W 6876	.687 (17,45)	.568 (14,43)	.062 (1,57)
17W06877	W 6877	.680 (17,27)	.390 (9,91)	.125 (3,18)
17W06878	W 6878	.687 (17,45)	.156 (3,96)	.135 (3,43)
17W06879	W 6879	.687 (17,45)	.280 (7,11)	.031 (0,79)
17W06880	W 6880	.680 (17,27)	.318 (8,08)	.187 (4,75)
17W06881	W 6881	.688 (17,48)	.390 (9,91)	.031 (0,79)
17W06882	W 6882	.688 (17,48)	.318 (8,08)	.190 (4,83)
17W06883	W 6883	.689 (17,50)	.244 (6,20)	.236 (5,99)
17W06884	W 6884	.688 (17,48)	.434 (11,02)	.125 (3,17)
17W06885	W 6885	.687 (17,44)	.437 (11,09)	.100 (2,54)
17W06934	W 6934	.695 (17,65)	.082 (2,08)	.184 (4,67)
17W06935	W 6935	.690 (17,53)	.525 (13,34)	.250 (6,35)
17W07001	W 7001	.700 (17,78)	.565 (14,35)	.062 (1,57)
17W07002	W 7002	.700 (17,78)	.531 (13,49)	.093 (2,36)
17W07051	W 7051	.715 (18,16)	.570 (14,48)	.100 (2,54)
17W07090	W 7090	.709 (18,01)	.336 (8,53)	.079 (2,01)
17W07091	W 7091	.709 (18,01)	.461 (11,71)	.110 (2,79)
17W07092	W 7092	.697 (17,70)	.531 (13,49)	.158 (4,01)
17W07093	W 7093	.71 (18,03)	.49 (12,45)	.125 (3,17)
17W07094	W 7094	.700 (17,78)	.548 (13,91)	.080 (2,03)
17W07095	W 7095	.710 (18,03)	.313 (7,95)	.050 (1,27)
17W07096	W 7096	.697 (17,70)	.531 (13,49)	.167 (4,24)
17W07120	W 7120	.712 (18,08)	.522 (13,30)	.062 (1,57)
17W07121	W 7121	.712 (18,08)	.312 (7,92)	.081 (2,06)
17W07130	W 7130	.713 (18,11)	.463 (11,76)	.065 (1,65)
17W07181	W 7181	.718 (18,24)	.526 (13,36)	.219 (5,56)
17W07182	W 7182	.718 (18,24)	.526 (13,36)	.281 (7,14)
17W07183	W 7183	.725 (18,41)	.500 (12,70)	.110 (2,79)
17W07184	W 7184	.750 (19,05)	.594 (15,09)	.210 (5,33)
17W07191	W 7191	.719 (18,26)	.250 (6,35)	.062 (1,57)
17W07192	W 7192	.719 (18,26)	.281 (7,14)	.062 (1,57)
17W07193	W 7193	.709 (18,00)	.248 (6,10)	.118 (3,00)
17W07194	W 7194	.709 (18,00)	.209 (5,30)	.039 (0,99)

New
SIZES



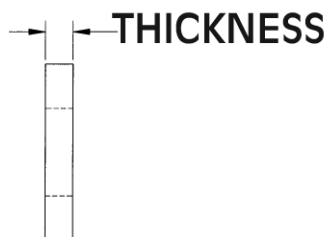
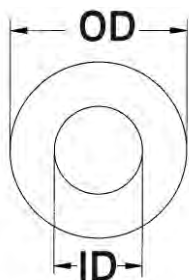
WASHERS, SHOULDER WASHERS & SCREW INSULATORS

SECTION IV

SPECIAL FLAT WASHERS

Molded in **Natural Nylon 6/6**

ITEM NUMBER	DESCRIPTION	OD	ID	THICKNESS
17W07301	W 7301	.720 (18,29)	.390 (9,91)	.300 (7,62)
17W07302	W 7302	.731 (18,57)	.266 (6,76)	.118 (3,00)
17W07381	W 7381	.740 (18,80)	.220 (5,59)	.120 (3,05)
17W07382	W 7382	.738 (18,75)	.522 (13,26)	.120 (3,05)
17W07401	W 7401	.740 (18,80)	.340 (8,64)	.062 (1,57)
17W07402	W 7402	.750 (19,05)	.375 (9,53)	.062 (1,57)
17W07403	W 7403	.748 (19,00)	.395 (10,03)	.093 (2,36)
17W07404	W 7404	.750 (19,05)	.440 (11,18)	.093 (2,36)
17W07405	W 7405	.750 (19,05)	.385 (9,78)	.045 (1,14)
17W07406	W 7406	.740 (18,80)	.516 (13,11)	.125 (3,18)
17W07407	W 7407	.750 (19,05)	.375 (9,53)	.250 (6,35)
17W07408	W 7408	.750 (19,05)	.330 (8,38)	.062 (1,57)
17W07409	W 7409	.754 (19,15)	.394 (10,01)	.255 (6,48)
17W07420	W 7420	.742 (18,85)	.498 (12,65)	.119 (3,02)
17W07450	W 7450	.745 (18,92)	.570 (14,48)	.031 (0,79)
17W07480	W 7480	.748 (19,00)	.403 (10,24)	.059 (1,50)
17W07491	W 7491	.750 (19,05)	.191 (4,85)	.100 (2,54)
17W07492	W 7492	.996 (25,30)	.201 (5,11)	.200 (5,08)
17W07493	W 7493	.738 (18,75)	.220 (5,59)	.160 (4,06)
17W07494	W 7494	.750 (19,05)	.257 (6,53)	.030 (0,76)
17W07495	W 7495	.748 (19,00)	.203 (5,16)	.200 (5,08)
17W07496	W 7496	1.000 (25,40)	.215 (5,46)	.062 (1,57)
17W07500	W 7500	.750 (19,05)	.261 (6,63)	.095 (2,41)
17W07501	W 7501	.750 (19,05)	.187 (4,75)	.156 (3,96)
17W07502	W 7502	.735 (18,67)	.360 (9,14)	.160 (4,06)
17W07503	W 7503	.750 (19,05)	.323 (8,20)	.125 (3,18)
17W07504	W 7504	.738 (18,75)	.382 (9,70)	.160 (4,06)
17W07505	W 7505	.740 (18,79)	.531 (13,49)	.187 (4,75)
17W07506	W 7506	.750 (19,05)	.390 (9,91)	.062 (1,57)
17W07507	W 7507	.750 (19,05)	.352 (8,94)	.031 (0,79)
17W07508	W 7508	.750 (19,05)	.390 (9,91)	.050 (1,27)
17W07509	W 7509	.750 (19,05)	.390 (9,91)	.140 (3,56)
17W07510	W 7510	.750 (19,05)	.530 (13,46)	.230 (5,84)
17W07511	W 7511	.750 (19,05)	.625 (15,88)	.170 (4,32)
17W07512	W 7512	.750 (19,05)	.385 (9,78)	.200 (5,08)
17W07513	W 7513	.750 (19,05)	.317 (8,05)	.062 (1,57)
17W07514	W 7514	.750 (19,05)	.193 (4,90)	.040 (1,02)
17W07516	W 7516	.750 (19,05)	.382 (9,70)	.066 (1,68)
17W07517	W 7517	.750 (19,05)	.406 (10,31)	.032 (0,81)
17W07518	W 7518	.745 (18,92)	.443 (11,25)	.095 (2,41)
17W07519	W 7519	.750 (19,05)	.218 (5,54)	.187 (4,75)
17W07520	W 7520	.745 (18,92)	.260 (6,60)	.066 (1,68)
17W07521	W 7521	.750 (19,05)	.320 (8,13)	.250 (6,35)
17W07522	W 7522	.750 (19,05)	.406 (10,31)	.060 (1,52)
17W07523	W 7523	.745 (18,92)	.260 (6,60)	.125 (3,18)
17W07524	W 7524	.743 (18,87)	.516 (13,11)	.093 (2,36)
17W07525	W 7525	.750 (19,05)	.406 (10,31)	.200 (5,08)
17W07527	W 7527	.750 (19,05)	.375 (9,53)	.125 (3,18)
17W07528	W 7528	.750 (19,05)	.385 (9,78)	.025 (0,63)
17W07529	W 7529	.75 (19,05)	.31 (7,87)	.375 (9,53)
17W07530	W 7530	.750 (19,05)	.257 (6,53)	.062 (1,57)
17W07531	W 7531	.755 (19,18)	.558 (14,17)	.030 (0,76)
17W07532	W 7532	.750 (19,05)	.150 (3,81)	.055 (1,40)
17W07533	W 7533	.750 (19,05)	.47 (11,94)	.200 (5,08)
17W07534	W 7534	.685 (17,40)	.473 (12,01)	.190 (4,83)
17W07535	W 7535	.75 (19,05)	.30 (7,62)	.125 (3,17)
17W07536	W 7536	.754 (19,15)	.389 (9,88)	.075 (1,91)



WASHERS, SHOULDER WASHERS & SCREW INSULATORS

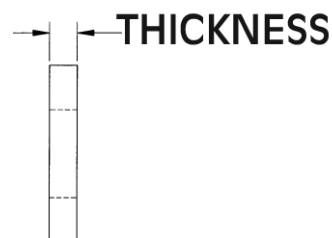
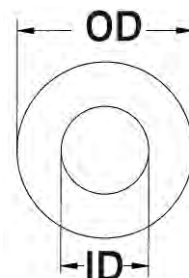
SECTION
IV

SPECIAL FLAT WASHERS

Molded in **Natural Nylon 6/6**

ITEM NUMBER	DESCRIPTION	OD	ID	THICKNESS
17W07537	W 7537	.750 (19,05)	.437 (11,10)	.036 (0,91)
17W07539	W 7539	.962 (24,43)	.755 (19,18)	.101 (2,57)
17W07540	W 7540	.753 (19,13)	.605 (15,37)	.055 (1,40)
17W07541	W 7541	3/4] (19,05)	.257 (6,53)	.109 (2,77)
17W07542	W 7542	.755 (19,18)	.318 (8,08)	.100 (2,54)
17W07543	W 7543	.750 (19,05)	.266 (6,76)	.155 (3,94)
17W07544	W 7544	.750 (19,05)	.530 (13,46)	.062 (1,57)
17W07545	W 7545	.751 (19,07)	.318 (8,07)	.125 (3,17)
17W07546	W 7546	.750 (19,05)	.530 (13,46)	.156 (3,96)
17W07559	W 7559	.750 (19,05)	.380 (9,65)	.187 (4,75)
17W07560	W 7560	.756 (19,20)	.578 (14,68)	.110 (2,79)
17W07561	W 7561	.744 (18,90)	.541 (13,74)	.075 (1,91)
17W07564	W 7564	.728 (18,49)	.513 (13,03)	.072 (1,83)
17W07565	W 7565	.745 (18,92)	.509 (12,93)	.150 (3,81)
17W07566	W 7566	.750 (19,05)	.310 (7,87)	.170 (4,32)
17W07625	W 7625	.75 (19,05)	.274 (6,96)	.25 (6,35)
17W07626	W 7626	.750 (19,05)	.335 (8,51)	.250 (6,35)
17W07714	W 7714	3/4 (19,05)	.317 (8,05)	.040 (1,02)
17W07716	W 7716	.750 (19,05)	.296 (7,52)	.032 (0,81)
17W07717	W 7717	.750 (19,05)	.328 (8,33)	.032 (0,81)
17W07718	W 7718	.757 (19,23)	.394 (10,01)	.125 (3,18)
17W07719	W 7719	.748 (19,00)	.400 (10,16)	.089 (2,26)
17W07720	W 7720	.753 (19,13)	.282 (7,16)	.123 (3,12)
17W07721	W 7721	.740 (18,80)	.215 (5,46)	.095 (2,41)
17W07722	W 7722	.750 (19,05)	.565 (14,35)	.125 (3,18)
17W07750	W 7750	.775 (19,69)	.515 (13,08)	.250 (6,35)
17W07751	W 7751	.775 (19,69)	.500 (12,70)	.120 (3,05)
17W07752	W 7752	.775 (19,69)	.485 (12,32)	.150 (3,81)
17W07811	W 7811	.781 (19,84)	.640 (16,26)	.031 (0,79)
17W07820	W 7820	.782 (19,86)	.633 (16,08)	.125 (3,18)
17W07821	W 7821	.778 (19,76)	.590 (14,99)	.032 (0,81)
17W07850	W 7850	.785 (19,94)	.394 (10,01)	.080 (2,03)
17W07851	W 7851	.787 (19,98)	.409 (10,39)	.236 (5,99)
17W07852	W 7852	.787 (19,98)	.276 (7,01)	.197 (5,00)
17W07853	W 7853	.787 (19,98)	.279 (7,08)	.138 (3,50)
17W07854	W 7854	.787 (19,98)	.413 (10,49)	.079 (2,00)
17W08049	W 8049	.805 (20,45)	.418 (10,62)	.062 (1,57)
17W08050	W 8050	.805 (20,45)	.510 (12,95)	.220 (5,59)
17W08051	W 8051	.805 (20,45)	.621 (15,77)	.125 (3,18)
17W08070	W 8070	.807 (20,50)	.402 (10,21)	.065 (1,65)
17W08090	W 8090	.809 (20,55)	.495 (12,57)	.059 (1,50)
17W08100	W 8100	.810 (20,57)	.435 (11,05)	.060 (1,52)
17W08110	W 8110	.817 (20,75)	.544 (13,82)	.140 (3,56)
17W08121	W 8121	.812 (20,67)	.695 (17,65)	.093 (2,36)
17W08122	W 8122	.812 (20,62)	.630 (16,00)	.100 (2,56)
17W08123	W 8123	.812 (20,62)	.312 (7,92)	.125 (3,18)
17W08125	W 8125	.812 (20,62)	.630 (16,00)	.220 (5,59)
17W08126	W 8126	.812 (20,62)	.386 (9,80)	.187 (4,75)
17W08129	W 8129	.812 (20,62)	.625 (15,88)	.062 (1,57)
17W08130	W 8130	.812 (20,62)	.312 (7,92)	.062 (1,57)
17W08251	W 8251	.825 (20,96)	.480 (12,19)	.100 (2,54)
17W08252	W 8252	.825 (20,96)	.561 (14,25)	.145 (3,68)
17W08253	W 8253	.825 (20,96)	.640 (16,26)	.040 (1,02)
17W08400	W 8400	.840 (21,34)	.730 (18,54)	.125 (3,18)
17W08430	W 8430	.844 (21,44)	.656 (16,66)	.060 (1,52)
17W08431	W 8431	.845 (21,46)	.621 (15,77)	.101 (2,57)
17W08452	W 8452	.825 (20,96)	.375 (9,53)	.100 (2,54)

New
SIZES



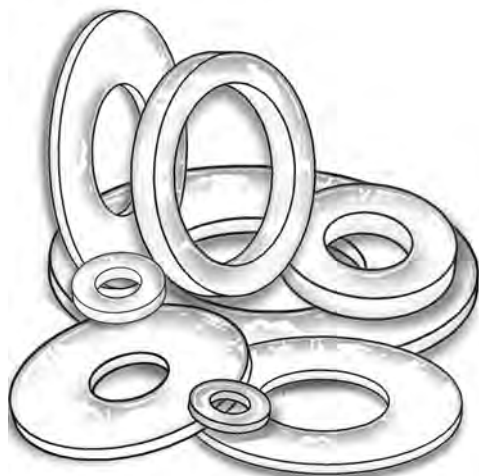
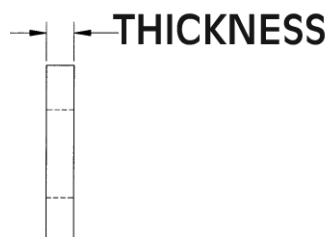
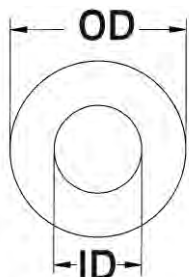
WASHERS, SHOULDER WASHERS & SCREW INSULATORS

SECTION IV

SPECIAL FLAT WASHERS

Molded in **Natural Nylon 6/6**

**New
SIZES**



ITEM NUMBER	DESCRIPTION	OD	ID	THICKNESS
17W08650	W 8650	.865 (21,97)	.531 (13,49)	.200 (5,08)
17W08651	W 8651	.865 (21,97)	.688 (17,48)	.155 (3,94)
17W08652	W 8652	.875 (22,23)	.755 (19,18)	.125 (3,18)
17W08653	W 8653	.862 (21,89)	.690 (17,53)	.220 (5,59)
17W08655	W 8655	.856 (21,74)	.522 (13,25)	.098 (2,48)
17W08660	W 8660	.866 (21,97)	.413 (10,49)	.098 (2,49)
17W08661	W 8661	.876 (22,25)	.437 (11,10)	.502 (12,75)
17W08710	W 8710	.887 (22,52)	.797 (20,24)	.500 (12,70)
17W08711	W 8711	.871 (22,12)	.706 (17,93)	.111 (2,82)
17W08747	W 8747	.875 (22,22)	.532 (13,51)	.155 (3,93)
17W08748	W 8748	.878 (22,30)	.564 (14,33)	.062 (1,59)
17W08749	W 8749	.870 (22,10)	.506 (12,85)	.201 (5,11)
17W08751	W 8751	.875 (22,23)	.312 (7,92)	.125 (3,18)
17W08752	W 8752	.875 (22,23)	.408 (10,36)	.060 (1,52)
17W08753	W 8753	.875 (22,23)	.257 (6,53)	.031 (0,79)
17W08754	W 8754	.885 (22,48)	.343 (8,71)	.062 (1,57)
17W08755	W 8755	.855 (21,72)	.312 (7,92)	.125 (3,18)
17W08756	W 8756	.875 (22,23)	.500 (12,70)	.125 (3,18)
17W08757	W 8757	.875 (22,23)	.312 (7,92)	.187 (4,75)
17W08758	W 8758	.865 (21,97)	.340 (8,64)	.187 (4,75)
17W08759	W 8759	.875 (22,23)	.377 (9,58)	.062 (1,57)
17W08760	W 8760	.875 (22,23)	.380 (9,65)	.093 (2,36)
17W08761	W 8761	.875 (22,23)	.390 (9,91)	.093 (2,36)
17W08762	W 8762	.875 (22,23)	.257 (6,53)	.062 (1,57)
17W08763	W 8763	.875 (22,23)	.627 (15,93)	.114 (2,90)
17W08764	W 8764	7/8 (22,23)	.265 (6,73)	.093 (2,36)
17W08765	W 8765	.870 (22,10)	.531 (13,49)	.187 (4,75)
17W08767	W 8767	.860 (21,84)	.397 (10,08)	.165 (4,19)
17W08768	W 8768	.885 (22,48)	.390 (9,91)	.094 (2,39)
17W08769	W 8769	.875 (22,23)	.750 (19,05)	.160 (4,06)
17W08770	W 8770	.891 (22,63)	.780 (19,81)	.505 (12,83)
17W08771	W 8771	.875 (22,23)	.593 (15,08)	.145 (3,68)
17W08800	W 8800	.880 (22,35)	.390 (9,91)	.062 (1,57)
17W08801	W 8801	.872 (22,15)	.315 (8,00)	.062 (1,57)
17W08802	W 8802	.880 (22,35)	.485 (12,31)	.060 (1,52)
17W08803	W 8803	.882 (22,40)	.589 (14,96)	.085 (2,16)
17W08805	W 8805	.880 (22,35)	.690 (17,52)	.032 (0,81)
17W08806	W 8806	.885 (22,48)	.385 (9,78)	.062 (1,57)
17W08810	W 8810	.880 (22,35)	.500 (12,70)	.065 (1,65)
17W08812	W 8812	.880 (22,86)	.385 (9,78)	.125 (3,18)
17W08813	W 8813	.880 (22,35)	.327 (8,31)	.060 (1,52)
17W08901	W 8901	.890 (22,61)	.315 (8,00)	.215 (5,46)
17W08950	W 8950	.900 (22,86)	.255 (6,48)	.125 (3,18)
17W08951	W 8951	.890 (22,61)	.317 (8,05)	.245 (6,22)
17W08952	W 8952	.902 (22,91)	.244 (6,20)	.079 (2,01)
17W08953	W 8953	.900 (22,86)	.579 (14,71)	.075 (1,91)
17W08954	W 8954	.890 (22,60)	.400 (10,16)	.063 (1,60)
17W09000	W 9000	.900 (22,86)	.375 (9,53)	.055 (1,40)
17W09001	W 9001	.900 (22,86)	.500 (12,70)	.075 (1,91)
17W09002	W 9002	.900 (22,86)	.515 (13,08)	.060 (1,52)
17W09260	W 9260	.926 (23,52)	.705 (17,91)	.124 (3,15)
17W09282	W 9282	.970 (24,64)	.230 (5,84)	.125 (3,18)
17W09283	W 9283	1.005 (25,53)	.406 (10,31)	.080 (2,03)
17W09290	W 9290	.929 (23,60)	.472 (11,99)	.126 (3,20)
17W09320	W 9320	.932 (23,67)	.381 (9,68)	.031 (0,79)



WASHERS, SHOULDER WASHERS & SCREW INSULATORS

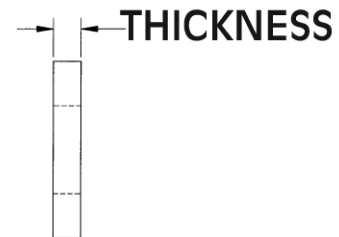
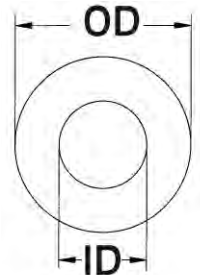
SECTION
IV

SPECIAL FLAT WASHERS

Molded in **Natural Nylon 6/6**

ITEM NUMBER	DESCRIPTION	OD	ID	THICKNESS
17W09350	W 9350	15/16 (23,81)	.380 (9,65)	.062 (1,57)
17W09371	W 9371	.937 (23,80)	.625 (15,88)	.093 (2,36)
17W09372	W 9372	.945 (24,00)	.710 (18,03)	.060 (15,24)
17W09376	W 9376	.937 (23,80)	.583 (14,81)	.062 (1,57)
17W09378	W 9378	.937 (23,80)	.580 (14,73)	.082 (2,08)
17W09381	W 9381	.938 (23,83)	.453 (11,51)	.155 (3,94)
17W09400	W 9400	.944 (23,98)	.331 (8,41)	.098 (2,49)
17W09401	W 9401	.945 (24,00)	.354 (9,00)	.157 (4,00)
17W09406	W 9406	.940 (23,88)	.506 (12,85)	.064 (1,63)
17W09570	W 9570	.950 (24,13)	.665 (16,89)	.093 (2,36)
17W09571	W 9571	.957 (24,31)	.666 (16,92)	.139 (3,53)
17W09600	W 9600	.960 (24,38)	.692 (17,58)	.126 (3,20)
17W09806	W 9806	.980 (24,89)	.343 (8,71)	.065 (1,65)
17W09841	W 9841	.984 (24,99)	.406 (10,31)	.125 (3,18)
17W09843	W 9843	.984 (24,99)	.433 (11,00)	.088 (2,24)
17W09851	W 9851	.983 (24,97)	.360 (9,14)	.120 (3,05)
17W09852	W 9852	.995 (25,27)	.416 (10,57)	.060 (1,52)
17W09853	W 9853	1.000 (25,40)	.781 (19,84)	.075 (1,91)
17W09854	W 9854	1.000 (25,40)	.333 (8,46)	.385 (9,78)
17W09855	W 9855	.990 (25,15)	.337 (8,56)	.292 (7,42)
17W09856	W 9856	1.000 (25,40)	.339 (8,61)	.154 (3,91)
17W09900	W 9900	1.000 (25,40)	.375 (9,53)	.062 (1,57)
17W09901	W 9901	1 (25,40)	.76 (19,30)	.062 (1,57)
17W09902	W 9902	1.003 (25,48)	.485 (12,32)	.173 (4,39)
17W09903	W 9903	1.006 (25,55)	.189 (4,80)	.040 (1,02)
17W09904	W 9904	1.030 (26,16)	.550 (13,97)	.062 (1,57)
17W09905	W 9905	1.000 (25,40)	.760 (19,30)	.281 (7,14)
17W09906	W 9906	1.000 (25,40)	.515 (13,08)	.093 (2,38)
17W09907	W 9907	1.000 (25,40)	.750 (19,05)	.125 (3,17)
17W09930	W 9930	.993 (25,22)	.771 (19,58)	.124 (3,15)
17W09931	W 9931	1.000 (25,40)	.390 (9,91)	.250 (6,35)
17W09932	W 9932	1.000 (25,40)	.390 (9,91)	.175 (4,45)
17W09933	W 9933	1.000 (25,40)	.531 (13,49)	.062 (1,57)
17W09934	W 9934	1.000 (25,40)	.297 (7,54)	.063 (1,60)
17W09935	W 99345	1.000 (25,40)	.390 (9,91)	.094 (2,38)
17W10000	W 10000	1.000 (25,40)	.156 (3,96)	.062 (1,57)
17W10001	W 10001	1.000 (25,40)	.450 (11,43)	.125 (3,18)
17W10002	W 10002	1.000 (25,40)	.406 (10,31)	.062 (1,57)
17W10003	W 10003	1.00 (25,40)	.562 (14,27)	.125 (3,18)
17W10005	W 10005	1.000 (25,40)	.632 (16,05)	.185 (4,70)
17W10006	W 10006	1.000 (25,40)	.518 (13,16)	.080 (2,03)
17W10007	W 10007	1.000 (25,40)	.730 (18,54)	.062 (1,57)
17W10008	W 10008	1.000 (25,40)	.631 (16,03)	.128 (3,25)
17W10009	W 10009	1.000 (25,40)	.320 (8,13)	.375 (9,53)
17W10010	W 10010	1.000 (25,40)	.505 (12,83)	.125 (3,18)
17W10011	W 10011	1.004 (25,40)	.631 (16,03)	.065 (1,65)
17W10012	W 10012	1.000 (25,40)	.254 (6,45)	.325 (8,26)
17W10013	W 10013	1 (25,40)	.312 (7,92)	.032 (0,81)
17W10014	W 10014	1 (25,40)	5/16 (7,94)	3/16 (4,76)
17W10015	W 10015	1 (25,40)	17/64 (6,74)	5/16 (7,94)
17W10016	W 10016	1.000 (25,40)	.500 (12,70)	.100 (2,54)
17W10017	W 10017	1.000 (25,40)	.755 (19,18)	.175 (4,45)
17W10018	W 10018	1.500 (38,10)	1.015 (25,78)	.250 (6,35)
17W10019	W 10019	1 (25,40)	.665 (16,89)	.125 (3,18)
17W10020	W 10020	1.000 (25,40)	.326 (8,28)	.125 (3,18)

New
SIZES



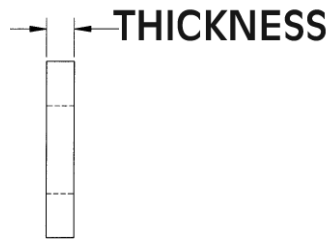
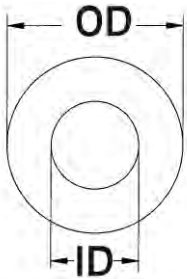
WASHERS, SHOULDER WASHERS & SCREW INSULATORS

SECTION IV

SPECIAL FLAT WASHERS

Molded in **Natural Nylon 6/6**

**New
SIZES**



ITEM NUMBER	DESCRIPTION	OD	ID	THICKNESS
17W10021	W 10021	1.000 (25,40)	.194 (4,93)	.160 (4,06)
17W10022	W 10022	1.024 (26,01)	.563 (14,30)	.220 (5,59)
17W10023	W 10023	1 (25,40)	1/2 (12,70)	1/16 (1,59)
17W10024	W 10024	1.000 (25,40)	.093 (2,36)	.125 (3,18)
17W10025	W 10025	.995 (25,27)	.635 (16,13)	.250 (6,35)
17W10027	W 10027	1.000 (25,40)	.500 (12,70)	.187 (4,75)
17W10028	W 10028	1.000 (25,40)	.509 (12,93)	.125 (3,18)
17W10029	W 10029	1.000 (25,40)	.640 (16,26)	.128 (3,25)
17W10030	W 10030	1.000 (25,40)	.440 (11,18)	.060 (1,52)
17W10031	W 10031	1.024 (26,01)	.642 (16,31)	.060 (1,52)
17W10032	W 10032	1 (25,40)	.510 (12,95)	1/16 (1,57)
17W10033	W 10033	1.000 (25,40)	.625 (15,88)	.032 (0,81)
17W10034	W 10034	1.002 (25,45)	.503 (12,77)	.150 (3,81)
17W10035	W 10035	1.000 (25,40)	.675 (17,14)	.200 (5,08)
17W10041	W 10041	1.000 (25,40)	.264 (6,71)	.070 (1,78)
17W10042	W 10042	.750 (19,05)	.515 (13,08)	.250 (6,35)
17W10043	W 10043	1.000 (25,40)	.265 (6,73)	.262 (6,65)
17W10044	W 10044	1.000 (25,40)	.636 (16,15)	.094 (2,38)
17W10045	W 10045	1.000 (25,40)	.391 (9,93)	.150 (3,81)
17W10060	W 10060	1.006 (25,52)	.189 (4,80)	.064 (1,63)
17W10100	W 10100	1.010 (25,65)	.410 (10,41)	.100 (2,54)
17W10311	W 10311	1.031 (26,19)	.844 (21,44)	.040 (1,02)
17W10570	W 10570	1.057 (26,85)	.812 (20,62)	.125 (3,18)
17W10571	W 10571	1 (25,40)	.844 (21,44)	.125 (3,18)
17W10619	W 10619	1.062 (26,97)	.680 (17,27)	.150 (3,81)
17W10620	W 10620	1.060 (26,92)	.740 (18,80)	.10 (2,54)
17W10622	W 10622	1.062 (26,97)	.740 (18,80)	.225 (5,72)
17W10623	W 10623	1.107 (28,12)	.855 (21,72)	.058 (1,47)
17W10624	W 10624	1.062 (26,97)	.531 (13,49)	.062 (1,57)
17W10625	W 10625	1.055 (26,80)	.406 (10,31)	1/4 (6,35)
17W10626	W 10626	1.102 (28,00)	.728 (18,49)	.039 (0,99)
17W10627	W 10627	1.135 (28,83)	1.022 (25,96)	.500 (12,70)
17W10628	W 10628	1.102 (27,99)	.625 (15,83)	.118 (2,99)
17W11000	W 11000	1.128 (28,65)	.605 (15,37)	.239 (6,07)
17W11001	W 11001	1.181 (30,00)	.413 (10,49)	.098 (2,49)
17W11002	W 11002	1.117 (28,37)	.875 (22,23)	.195 (4,95)
17W11004	W 11004	1.125 (28,57)	.156 (3,96)	.250 (6,35)
17W11005	W 11005	1.181 (30,00)	.827 (21,01)	.157 (3,99)
17W11006	W 11006	1.181 (29,99)	.535 (13,58)	.083 (2,10)
17W11140	W 11140	1.114 (28,30)	.840 (21,34)	.127 (3,23)
17W11202	W 11202	1.120 (28,45)	.390 (9,91)	.125 (3,18)
17W11203	W 11203	1.120 (28,45)	.503 (12,78)	.033 (0,84)
17W11204	W 11204	1.120 (28,45)	.635 (16,13)	.140 (3,56)
17W11210	W 11210	1-1/8 (28,58)	.320 (8,13)	.062 (1,57)
17W11211	W 11211	1.121 (28,47)	.316 (8,03)	.034 (0,86)
17W11212	W 11212	1.13 (28,70)	.63 (16,00)	1/16 (1,59)
17W11251	W 11251	1.120 (28,45)	.540 (13,72)	.125 (3,18)
17W11252	W 11252	1.102 (27,99)	.592 (15,04)	.098 (2,50)
17W11256	W 11256	1.125 (28,58)	.889 (22,58)	.060 (1,52)
17W11257	W 11257	1.125 (28,58)	.500 (12,70)	.062 (1,57)
17W11258	W 11258	1.125 (28,58)	.763 (19,38)	.125 (3,18)
17W11259	W 11259	1.125 (28,58)	.920 (23,37)	.126 (3,20)
17W11320	W 11320	1.132 (28,75)	.942 (23,93)	.130 (3,30)
17W11720	W 11720	1.17 (29,72)	.377 (9,58)	.125 (3,18)
17W11750	W 11750	1.175 (29,85)	.310 (7,87)	.125 (3,18)



WASHERS, SHOULDER WASHERS & SCREW INSULATORS

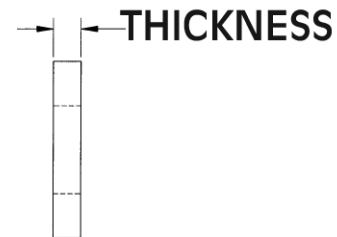
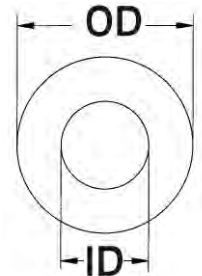
SECTION
IV

SPECIAL FLAT WASHERS

Molded in **Natural Nylon 6/6**

ITEM NUMBER	DESCRIPTION	OD	ID	THICKNESS
17W11800	W 11800	1.184 (30,07)	.477 (12,12)	.079 (2,01)
17W11801	W 11801	1.195 (30,35)	.325 (8,25)	.080 (2,03)
17W12030	W 12030	1.220 (30,99)	.502 (12,75)	.150 (3,81)
17W12031	W 12031	1.203 (30,56)	.984 (24,99)	.050 (1,27)
17W12032	W 12032	1.28 (32,57)	.88 (22,35)	.062 (1,57)
17W12181	W 12181	1.218 (30,94)	1.031 (26,19)	.040 (1,02)
17W12250	W 12250	1.225 (31,12)	.643 (16,33)	.100 (2,54)
17W12251	W 12251	1.245 (31,62)	1.001 (25,43)	.031 (0,79)
17W12252	W 12252	1.201 (30,50)	.799 (20,29)	.118 (2,99)
17W12500	W 12500	1.250 (31,75)	.443 (11,25)	.220 (5,58)
17W12501	W 12501	1.235 (31,37)	.365 (9,27)	.110 (2,79)
17W12502	W 12502	1.250 (31,75)	.875 (22,23)	.125 (3,18)
17W12503	W 12503	1.250 (31,75)	.765 (19,43)	.080 (2,03)
17W12504	W 12504	1.250 (31,75)	.516 (13,11)	.062 (1,57)
17W12505	W 12505	1.267 (32,18)	.390 (9,91)	.045 (1,14)
17W12506	W 12506	1.250 (31,75)	.250 (6,35)	.255 (6,48)
17W12507	W 12507	1.250 (31,75)	.805 (20,45)	.060 (1,52)
17W12508	W 12508	1.250 (31,75)	.281 (7,14)	.063 (1,60)
17W12509	W 12509	1 1/4 (31,75)	9/16 (14,29)	1/32 (0,79)
17W12510	W 12510	1.250 (31,75)	.812 (20,62)	.080 (2,03)
17W12511	W 12511	1 17/64 (32,13)	.390 (9,90)	.156 (3,96)
17W12512	W 12512	1.250 (31,75)	.380 (9,66)	.125 (3,18)
17W12513	W 12513	1.250 (31,75)	.310 (7,87)	.120 (3,05)
17W12515	W 12515	1.250 (31,75)	.226 (5,74)	.125 (3,18)
17W12516	W 12516	1 1/4 (31,75)	.260 (6,60)	.060 (1,52)
17W12517	W 12517	1.250 (31,75)	.839 (21,31)	.040 (1,02)
17W12518	W 12518	1.250 (31,75)	.437 (11,10)	.125 (3,18)
17W12519	W 12519	1.250 (31,75)	.886 (22,50)	.105 (2,59)
17W12520	W 12520	1.259 (31,97)	.629 (15,97)	.039 (0,99)
17W12521	W 12521	1.250 (31,75)	.390 (9,90)	.082 (2,08)
17W12524	W 12524	1.240 (31,50)	.670 (17,02)	.060 (1,52)
17W12525	W 12525	1.260 (32,00)	.340 (8,64)	.250 (6,35)
17W12526	W 12526	1.250 (31,75)	.370 (9,40)	.250 (6,35)
17W12527	W 12527	1.250 (31,75)	.257 (6,53)	.255 (6,48)
17W12528	W 12528	1.250 (31,75)	.270 (6,86)	.080 (2,03)
17W12562	W 12562	1 1/4 (31,75)	.250 (6,35)	.062 (1,57)
17W12580	W 12580	1.258 (31,95)	.226 (5,74)	.065 (1,65)
17W12593	W 12593	1.250 (31,75)	.100 (2,54)	.060 (1,52)
17W12604	W 12604	1.27 (32,36)	.400 (10,16)	.062 (1,57)
17W12606	W 12606	1.270 (32,26)	.548 (13,92)	.166 (4,22)
17W13101	W 13101	1.310 (33,27)	.645 (16,38)	.120 (3,05)
17W13119	W 13119	1.312 (33,32)	.510 (12,95)	.400 (10,16)
17W13120	W 13120	1.312 (33,32)	1.000 (25,40)	.191 (4,85)
17W13121	W 13121	1.312 (33,32)	1.088 (27,36)	.062 (1,57)
17W13122	W 13122	1.312 (33,32)	1.000 (25,40)	.125 (3,18)
17W13123	W 13123	1.375 (34,93)	.640 (16,26)	.090 (2,29)
17W13124	W 13124	1.312 (33,32)	.656 (16,66)	.095 (2,41)
17W13125	W 13125	1.312 (33,32)	1.026 (26,06)	.191 (4,85)
17W13126	W 13126	1.312 (33,32)	.625 (15,88)	.050 (1,27)
17W13127	W 13127	1.312 (33,32)	.656 (16,66)	.189 (4,80)
17W13747	W 13747	1.375 (34,93)	.781 (19,84)	.063 (1,60)
17W13748	W 13748	1.375 (34,93)	.250 (6,35)	.750 (19,05)
17W13749	W 13749	1.370 (24,80)	.380 (7,65)	.125 (3,18)
17W13750	W 13750	1.375 (34,93)	.250 (6,35)	.064 (7,63)
17W13751	W 13751	1.375 (34,93)	.525 (13,34)	.125 (3,18)

New
SIZES



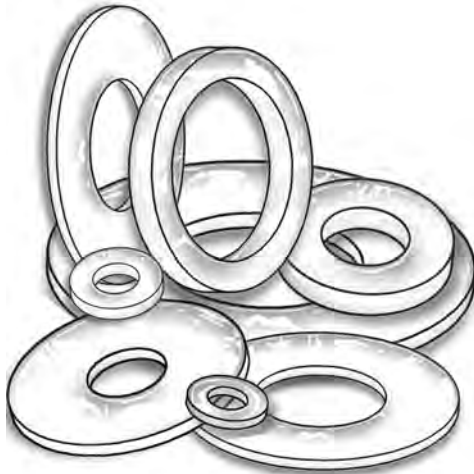
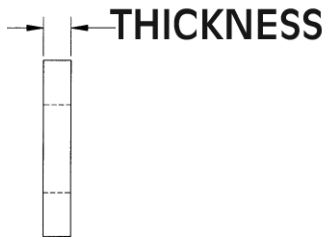
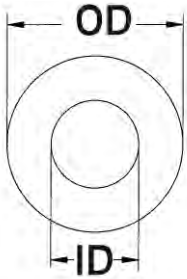
WASHERS, SHOULDER WASHERS & SCREW INSULATORS

SECTION IV

SPECIAL FLAT WASHERS

Molded in **Natural Nylon 6/6**

**New
SIZES**



ITEM NUMBER	DESCRIPTION	OD	ID	THICKNESS
17W13752	W 13752	1.375 (34,93)	.510 (12,95)	.062 (1,57)
17W13753	W 13753	1.375 (34,93)	.656 (16,66)	.125 (3,18)
17W13754	W 13754	1.375 (34,93)	.330 (8,32)	.125 (3,18)
17W13755	W 13755	1.31 (33,27)	.938 (23,82)	.040 (1,02)
17W13756	W 13756	1.363 (34,62)	.523 (13,28)	.051 (1,30)
17W13757	W 13757	1.375 (34,93)	.450 (11,43)	.090 (2,29)
17W13758	W 13758	1.375 (34,93)	.530 (13,46)	.173 (4,39)
17W13759	W 13759	1.375 (34,93)	1.015 (25,78)	.125 (3,18)
17W13760	W 13760	1 3/8 (34,93)	.470 (11,94)	.093 (2,36)
17W13761	W 13761	1.378 (35,00)	.433 (11,00)	.157 (4,00)
17W13762	W 13762	1.375 (34,92)	1.031 (26,18)	.500 (12,70)
17W13763	W 13763	1.361 (34,56)	.405 (10,28)	.082 (2,08)
17W14250	W 14250	1.420 (36,07)	.760 (19,30)	.100 (2,54)
17W14251	W 14251	1.395 (35,43)	.250 (6,35)	.118 (3,00)
17W14252	W 14252	1.485 (37,72)	.755 (19,18)	.197 (5,00)
17W14371	W 14371	1.437 (36,50)	1.000 (25,40)	.069 (1,75)
17W14501	W 14501	1.450 (36,83)	1.000 (25,40)	.063 (1,65)
17W14502	W 14502	1.450 (36,83)	.990 (25,15)	.120 (3,05)
17W14610	W 14610	1.460 (37,08)	1.180 (29,97)	.100 (2,54)
17W14681	W 14681	1.468 (37,29)	.515 (13,08)	.050 (1,27)
17W14930	W 14930	1.500 (38,10)	.437 (11,10)	.130 (3,30)
17W14931	W 14931	1 1/2 (38,10)	.505 (12,83)	.125 (3,18)
17W14932	W 14932	1.500 (38,10)	.265 (6,73)	.375 (9,53)
17W14933	W 14933	1 1/2 (38,10)	5/16 (7,94)	1/16 (1,59)
17W14934	W 14934	1.500 (38,10)	.390 (9,91)	.060 (1,52)
17W15000	W 15000	1.500 (38,10)	.188 (4,75)	.068 (1,72)
17W15001	W 15001	1.500 (38,10)	.665 (16,89)	.094 (2,39)
17W15002	W 15002	1.500 (38,10)	.500 (12,70)	.125 (3,18)
17W15003	W 15003	1.500 (38,10)	.375 (9,53)	.375 (9,53)
17W15004	W 15004	1.500 (38,10)	.755 (19,18)	.130 (3,30)
17W15005	W 15005	1.500 (38,10)	.696 (17,68)	.120 (3,05)
17W15006	W 15006	1.490 (37,85)	.521 (13,23)	.120 (3,05)
17W15007	W 15007	1.575 (40,01)	.659 (16,74)	.118 (3,00)
17W15008	W 15008	1.500 (38,10)	1.015 (25,78)	.080 (2,03)
17W15009	W 15009	1 1/2 (38,10)	1 1/4 (31,75)	1/8 (3,18)
17W15010	W 15010	1.493 (37,92)	.604 (15,34)	.220 (5,59)
17W15011	W 15011	1 1/2 (38,10)	.335 (8,51)	.125 (3,18)
17W15012	W 15012	1.500 (38,10)	.505 (12,83)	.130 (3,30)
17W15013	W 15013	1.500 (38,10)	.507 (12,88)	.250 (6,35)
17W15014	W 15014	1.468 (37,29)	1.010 (25,65)	.112 (2,84)
17W15016	W 15016	1 1/2 (38,10)	.505 (12,83)	.210 (5,33)
17W15017	W 15017	1 1/2 (38,10)	.203 (5,16)	.068 (1,73)
17W15018	W 15018	1.575 (40,01)	.236 (5,99)	.119 (3,02)
17W15019	W 15019	1.500 (38,10)	.449 (11,40)	.075 (1,90)
17W15020	W 15020	1.500 (38,10)	.750 (19,05)	.250 (6,35)
17W15021	W 15021	1.500 (38,10)	1.23 (31,24)	.064 (1,62)
17W15022	W 15022	1.500 (38,10)	.500 (12,7)	.031 (0,78)
17W15031	W 15031	1.500 (38,10)	.515 (13,08)	.7/16 (11,11)
17W15050	W 15050	1.505 (38,23)	.750 (19,05)	.053 (1,35)
17W15051	W 15051	1.49 (37,85)	.81 (20,57)	.062 (1,57)
17W15052	W 15052	1.57 (39,87)	.512 (13,00)	.118 (3,00)
17W15053	W 15053	1.575 (40,01)	.795 (20,19)	.039 (0,99)
17W15054	W 15054	1.500 (38,10)	.790 (20,06)	.120 (3,04)
17W15400	W 15400	1.540 (39,12)	1.164 (29,57)	.192 (4,88)
17W15620	W 15620	1.563 (39,70)	1 (25,40)	.062 (1,57)
17W15625	W 15625	1-9/16 (39,70)	.630 (16,00)	.062 (1,57)
17W16240	W 16240	1.619 (41,12)	1.495 (37,97)	.245 (6,22)



WASHERS, SHOULDER WASHERS & SCREW INSULATORS

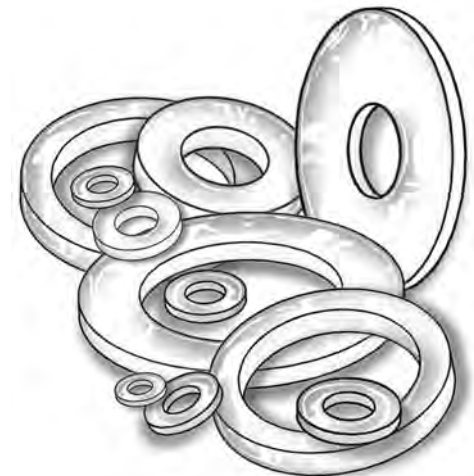
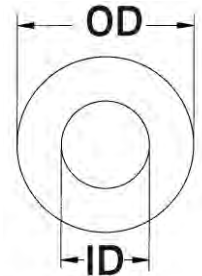
SECTION
IV

SPECIAL FLAT WASHERS

Molded in **Natural Nylon 6/6**

ITEM NUMBER	DESCRIPTION	OD	ID	THICKNESS
17W16250	W 16250	1.625 (41,28)	.531 (13,49)	.312 (7,92)
17W16251	W 16251	1.625 (41,28)	1.375 (34,93)	.110 (2,79)
17W16252	W 16252	1.625 (41,28)	1.0 (25,40)	.187 (4,75)
17W16253	W 16253	1.625 (41,28)	.940 (23,88)	.060 (1,52)
17W16300	W 16300	1.635 (41,53)	1.405 (35,69)	.093 (2,36)
17W16301	W 16301	1.628 (41,35)	1.508 (38,30)	.072 (1,83)
17W16514	W 16514	1.650 (41,91)	1.395 (35,43)	.140 (3,56)
17W16900	W 16900	1.695 (43,05)	1.255 (31,88)	.065 (1,65)
17W16901	W 16901	1.693 (43,00)	.669 (16,99)	.236 (5,99)
17W17181	W 17181	1.718 (43,64)	.625 (15,88)	.050 (1,27)
17W17241	W 17241	1.724 (43,79)	1.500 (38,10)	.032 (0,81)
17W17242	W 17242	1.750 (44,45)	.812 (20,62)	.125 (3,18)
17W17243	W 17243	1.755 (44,57)	1.015 (25,78)	.062 (1,57)
17W17251	W 17251	1.425 (36,90)	.697 (17,70)	.100 (2,54)
17W17252	W 17252	1.490 (37,85)	.765 (19,43)	.100 (2,54)
17W17500	W 17500	1.750 (44,45)	.928 (23,57)	.275 (6,99)
17W17501	W 17501	1.765 (44,83)	.656 (16,66)	.100 (2,54)
17W18001	W 18001	1.800 (45,72)	.948 (24,08)	.057 (1,45)
17W18500	W 18500	1.850 (46,99)	1.028 (26,11)	.120 (3,05)
17W19060	W 19060	1.906 (48,41)	1.500 (38,10)	.093 (2,36)
17W19061	W 19061	1.969 (50,01)	.504 (12,80)	.125 (3,17)
17W20001	W 20001	2.01 (51,05)	1.28 (32,51)	.135 (3,43)
17W20002	W 20002	2.000 (50,80)	.510 (12,95)	.060 (1,52)
17W20003	W 20003	2.000 (50,80)	1.525 (38,75)	.060 (1,52)
17W20004	W 20004	2.000 (50,80)	1.080 (27,43)	.160 (4,06)
17W20006	W 20006	2.000 (50,80)	.630 (16,00)	.125 (3,18)
17W20007	W 20007	2.000 (50,80)	.390 (9,91)	.062 (1,57)
17W20008	W 20008	2 (50,80)	.635 (16,13)	.060 (1,52)
17W20009	W 20009	2.007 (50,98)	.315 (8,00)	.197 (5,00)
17W20010	W 20010	2.000 (50,80)	.187 (4,74)	.060 (1,52)
17W20012	W 20012	1.985 (50,42)	1.525 (38,75)	.125 (3,18)
17W20013	W 20013	2.000 (50,80)	1.325 (33,66)	.310 (7,87)
17W20014	W 20014	2.250 (57,15)	1.410 (35,81)	.130 (3,30)
17W20015	W 20015	2.150 (54,61)	.275 (6,99)	.125 (3,18)
17W20062	W 20062	2 (50,80)	.805 (20,45)	.062 (1,57)
17W20600	W 20600	2.060 (52,32)	1.800 (45,72)	.055 (1,40)
17W21350	W 21350	2 9/64 (54,38)	1.760 (44,70)	.130 (3,30)
17W21850	W 21850	2.180 (55,37)	1.420 (36,07)	.050 (1,27)
17W22005	W 22005	2.205 (56,01)	1.720 (43,69)	.050 (1,27)
17W22500	W 22500	2 1/4 (57,15)	1 (25,40)	.075 (1,91)
17W22800	W 22800	2.275 (57,79)	1.275 (32,39)	.120 (3,05)
17W25001	W 25001	2.500 (63,50)	1.075 (27,31)	.125 (3,18)
17W25002	W 25002	2.500 (63,50)	.800 (20,32)	.063 (1,60)
17W25003	W 25003	2.500 (63,50)	1.750 (44,45)	.125 (3,18)
17W26802	W 26802	2.69 (68,33)	1.93 (49,02)	.125 (3,18)
17W29300	W 29300	2.930 (74,42)	.632 (16,05)	.150 (3,81)
17W29503	W 29503	2.935 (74,93)	1.125 (28,60)	.093 (2,54)
17W30000	W 30000	3.005 (76,32)	1.270 (32,26)	.093 (2,36)
17W30002	W 30002	2.970 (75,44)	1.490 (37,85)	.125 (3,18)
17W30003	W 30003	3.016 (76,61)	2.800 (71,12)	.122 (3,10)
17W30300	W 30300	3.600 (91,44)	3.030 (76,96)	.075 (1,91)
17W30062	W 30062	2-31/32 (75,41)	.805 (20,45)	1/16 (1,59)
17W30073	W 30073	3.016 (76,61)	2.80 (71,12)	.072 (1,83)
17W30093	W 30093	3.005 (76,33)	1.625 (41,28)	.093 (2,36)
17W31250	W 31250	3.132 (79,55)	.812 (20,62)	.125 (3,18)
17W32600	W 32600	3.260 (82,80)	2.620 (66,55)	.062 (1,57)
17W37500	W 37500	3.750 (95,25)	.375 (9,53)	.062 (1,57)

New
SIZES



WASHERS, SHOULDER WASHERS & SCREW INSULATORS

SECTION
IV

SHOULDER WASHERS

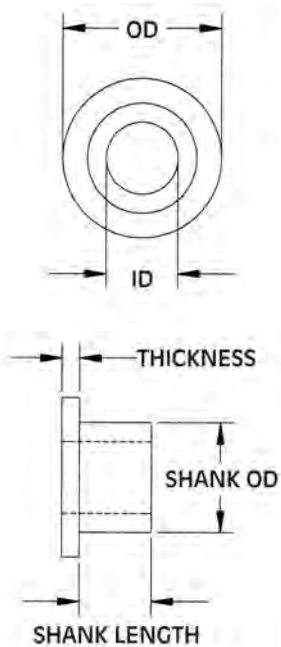
Molded in **Natural Nylon 6/6**

Nylon Shoulder Washers are suitable for a large variety of insulation and mechanical applications.

- THEY INSULATE ► REDUCE VIBRATION ► ACT AS SPACERS AND GUIDES ► STRONG AND CORROSION RESISTANT ► CAN BE USED AS SEAL IN SOME APPLICATIONS



ITEM NUMBER	DESCRIPTION	SHANK LENGTH		OD	THICKNESS		SHANK OD		ID
12SWS0100	SWS 100	.052	(1,32)	.096 (2,43)	.027 (0,68)	.075 (1,90)	.038 (0,96)		
12SWS0150	SWS 150	.040	(1,01)	.158 (4,01)	.085 (2,15)	.126 (3,20)	.092 (2,33)		
12SWS0151	SWS 151	.125	(3,18)	.197 (5,00)	.031 (0,79)	.114 (2,90)	.075 (1,95)		
12SWS0152	SWS 152	3/64	(1,19)	.105 (2,67)	3/64 (1,19)	.084 (2,13)	.061 (1,55)		
12SWS0154	SWS 154	.093	(2,36)	.208 (5,28)	.031 (0,78)	.120 (3,04)	.095 (2,41)		
12SWS0155	SWS 155	.060	(1,52)	.125 (3,18)	.030 (0,76)	.080 (2,03)	.055 (1,40)		
12SWS0156	SWS 156	1/32	(0,79)	.228 (5,79)	1/32 (0,79)	.122 (3,10)	.093 (2,36)		
12SWS0157	SWS 157	.035	(0,89)	.235 (5,97)	.095 (2,41)	.147 (3,73)	.115 (2,92)		
12SWS0158	SWS 158	.250	(6,35)	.187 (4,75)	.047 (1,19)	.120 (3,05)	.090 (2,29)		
12SWS0159	SWS 159	.206	(5,28)	.187 (4,75)	.156 (3,96)	.156 (3,96)	.096 (2,44)		
12SWS0179	SWS 179	.075	(1,91)	.181 (4,60)	.046 (1,17)	.120 (3,05)	.024 (0,61)		
12SWS0180	SWS 180	.075	(1,91)	.181 (4,60)	3/64 (1,19)	.120 (3,05)	.045 (1,14)		
12SWS0181	SWS 181	.125	(3,18)	.197 (5,00)	.031 (0,79)	.118 (3,00)	.075 (1,91)		
12SWS0183	SWS 183	1/32	(0,79)	.182 (4,62)	5/64 (1,98)	.125 (3,18)	.085 (2,16)		
12SWS0184	SWS 184	1/32	(0,79)	.189 (4,80)	1/16 (1,59)	.119 (3,02)	.095 (2,41)		
12SWS0185	SWS 185	.106	(2,69)	.433 (10,10)	.161 (4,09)	.259 (6,58)	.197 (5,00)		
12SWS0186	SWS 186	.088	(2,24)	.228 (5,79)	.039 (0,99)	.140 (3,56)	.098 (2,49)		
12SWS0187	SWS 187	1/64	(0,41)	.187 (4,75)	1/32 (0,79)	.119 (3,02)	.089 (2,26)		
12SWS0188	SWS 188	.030	(0,76)	.187 (4,75)	.030 (0,76)	.131 (3,33)	.090 (2,29)		
12SWS0189	SWS 189	.020	(0,51)	.187 (4,75)	.030 (0,76)	.119 (3,02)	.090 (2,29)		
12SWS0190	SWS 190	9/32	(7,14)	.197 (5,00)	1/32 (0,79)	.118 (3,00)	.075 (1,91)		
12SWS0191	SWS 191	.100	(2,54)	.350 (8,89)	.090 (2,29)	.200 (5,08)	.140 (3,56)		
12SWS0192	SWS 192	.052	(1,32)	.253 (6,43)	.047 (1,19)	.136 (3,45)	.120 (3,05)		
12SWS0193	SWS 193	.040	(1,02)	.250 (6,35)	.031 (0,79)	.140 (3,56)	.093 (2,36)		
12SWS0194	SWS 194	.046	(1,17)	.197 (5,00)	.027 (0,69)	.144 (3,66)	.118 (3,00)		
12SWS0195	SWS 195	1/16	(1,59)	.195 (4,95)	1/32 (0,79)	.120 (3,05)	.093 (2,36)		
12SWS0196	SWS 196	3/64	(1,19)	.240 (6,09)	1/16 (1,59)	.135 (3,42)	.114 (2,89)		
12SWS0197	SWS 197	1/32	(0,79)	.216 (5,48)	3/64 (1,19)	.135 (3,42)	.115 (2,92)		
12SWS0198	SWS 198	1/32	(0,79)	.200 (5,08)	1/32 (0,79)	.140 (3,56)	.115 (2,92)		
12SWS0199	SWS 199	5/64	(1,98)	.187 (4,75)	1/32 (0,79)	.119 (3,02)	.063 (1,60)		
12SWS0200	SWS 200	1/32	(0,79)	.200 (5,08)	5/64 (1,98)	.135 (3,43)	.116 (2,95)		
12SWS0201	SWS 201	3/16	(4,76)	.187 (4,75)	1/32 (0,79)	.119 (3,02)	.063 (1,60)		
12SWS0202	SWS 202	5/64	(1,98)	.205 (5,21)	1/32 (0,79)	.125 (3,18)	.093 (2,36)		
12SWS0203	SWS 203	7/64	(2,77)	.208 (5,28)	1/32 (0,79)	.125 (3,18)	.093 (2,36)		
12SWS0204	SWS 204	3/16	(4,76)	.205 (5,21)	1/32 (0,79)	.125 (3,18)	.093 (2,36)		
12SWS0205	SWS 205	3/64	(1,19)	.202 (5,13)	1/64 (0,41)	.145 (3,68)	.120 (3,05)		
12SWS0206	SWS 206	1/16	(1,59)	.224 (5,69)	1/32 (0,79)	.154 (3,91)	.120 (3,05)		
12SWS0207	SWS 207	5/32	(3,97)	.242 (6,15)	3/64 (1,19)	.135 (3,43)	.110 (2,79)		
12SWS0208	SWS 208	1/16	(1,59)	.200 (5,08)	1/32 (0,79)	.120 (3,05)	.093 (2,36)		
12SWS0209	SWS 209	3/64	(1,19)	.210 (5,33)	1/64 (0,41)	.145 (3,68)	.120 (3,05)		
12SWS0210	SWS 210	3/64	(1,19)	.230 (5,84)	1/64 (0,41)	.142 (3,61)	.122 (3,10)		
12SWS0211	SWS 211	1/32	(0,79)	.218 (5,54)	3/64 (1,19)	.135 (3,43)	.115 (2,92)		
12SWS0212	SWS 212	7/16	(11,11)	.224 (5,69)	1/32 (0,79)	.154 (3,91)	.120 (3,05)		
12SWS0213	SWS 213	3/64	(1,19)	.200 (5,08)	1/32 (0,79)	.138 (3,51)	.109 (2,77)		
12SWS0214	SWS 214	1/32	(0,79)	.240 (6,09)	3/64 (1,19)	.137 (3,48)	.115 (2,77)		
12SWS0215	SWS 215	7/32	(5,55)	.250 (6,35)	11/64 (4,37)	.150 (3,81)	.115 (2,92)		
12SWS0216	SWS 216	1/32	(0,79)	.240 (6,10)	1/32 (0,79)	.150 (3,81)	.098 (2,49)		



WASHERS, SHOULDER WASHERS & SCREW INSULATORS

SECTION
IV

SHOULDER WASHERS

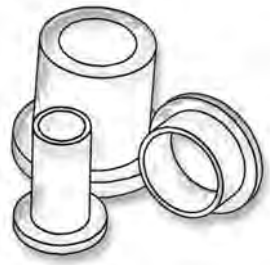
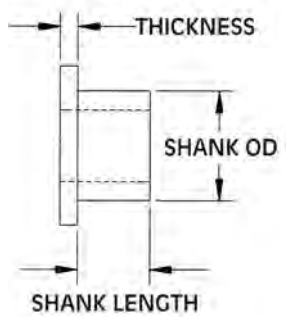
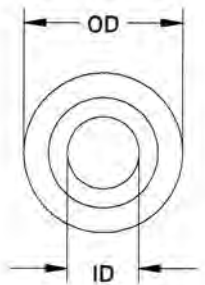
Molded in **Natural Nylon 6/6**

Nylon Shoulder Washers are suitable for a large variety of insulation and mechanical applications.

► THEY INSULATE ► REDUCE VIBRATION ► ACT AS SPACERS AND GUIDES ► STRONG AND CORROSION RESISTANT ► CAN BE USED AS SEAL IN SOME APPLICATIONS

ITEM NUMBER	DESCRIPTION	SHANK LENGTH	OD	THICKNESS	SHANK OD	ID
12SWS0217	SWS 217	1/32 (0,79)	.228 (5,79)	3/64 (1,19)	.138 (3,51)	.100 (2,54)
12SWS0218	SWS 218	1/8 (3,18)	.242 (6,15)	3/64 (1,19)	.140 (3,56)	.115 (2,92)
12SWS0219	SWS 219	1/8 (3,18)	.290 (7,37)	1/64 (0,41)	.250 (6,35)	.193 (4,90)
12SWS0220	SWS 220	3/64 (1,19)	.234 (5,94)	3/64 (1,19)	.147 (3,73)	.115 (2,92)
12SWS0221	SWS 221	3/32 (2,38)	.235 (5,97)	3/64 (1,19)	.145 (3,68)	.115 (2,92)
12SWS0222	SWS 222	1/8 (3,18)	.235 (5,97)	3/64 (1,19)	.145 (3,68)	.115 (2,92)
12SWS0223	SWS 223	1/32 (0,79)	.250 (6,35)	1/16 (1,59)	.187 (4,75)	.140 (3,56)
12SWS0224	SWS 224	3/64 (1,19)	.260 (6,60)	1/16 (1,59)	.190 (4,83)	.140 (3,56)
12SWS0225	SWS 225	43/64 (17,02)	.250 (6,35)	3/64 (1,19)	.187 (4,75)	.095 (2,41)
12SWS0226	SWS 226	1/16 (1,59)	.250 (6,35)	1/32 (0,79)	.143 (3,63)	.118 (3,00)
12SWS0227	SWS 227	1/32 (0,79)	.257 (6,53)	1/16 (1,59)	.187 (4,75)	.141 (3,58)
12SWS0228	SWS 228	1/64 (0,41)	.260 (6,60)	1/64 (0,41)	.154 (3,91)	.095 (2,41)
12SWS0229	SWS 229	1/8 (3,18)	.250 (6,35)	3/64 (1,19)	.139 (3,53)	.118 (3,00)
12SWS0230	SWS 230	5/32 (3,97)	.265 (6,73)	1/32 (0,79)	.205 (5,21)	.142 (3,61)
12SWS0232	SWS 232	5/64 (1,98)	.253 (6,42)	3/64 (1,19)	.136 (3,45)	.120 (3,05)
12SWS0233	SWS 233	1/32 (0,79)	.203 (5,16)	3/64 (1,19)	.140 (3,56)	.115 (2,92)
12SWS0234	SWS 234	.050 (1,40)	.239 (6,07)	.020 (0,51)	.139 (3,53)	.116 (2,95)
12SWS0235	SWS 235	.033 (0,84)	.210 (5,33)	.042 (1,07)	.143 (3,63)	.116 (2,95)
12SWS0236	SWS 236	.020 (0,51)	.250 (6,35)	.030 (0,76)	.150 (3,81)	.116 (2,96)
12SWS0237	SWS 237	.040 (1,02)	.235 (5,97)	.047 (1,19)	.147 (3,73)	.115 (2,92)
12SWS0238	SWS 238	.030 (0,76)	.230 (5,84)	.040 (1,02)	.150 (3,81)	.125 (3,18)
12SWS0239	SWS 239	.090 (2,29)	.224 (5,69)	.028 (0,71)	.154 (3,91)	.120 (3,05)
12SWS0240	SWS 240	.100 (2,54)	.230 (5,84)	.025 (0,64)	.190 (4,83)	.150 (3,81)
12SWS0241	SWS 241	.155 (3,94)	.224 (5,69)	.028 (0,71)	.154 (3,91)	.120 (3,05)
12SWS0242	SWS 242	3/32 (2,38)	.635 (16,13)	9/64 (3,57)	.425 (10,80)	.201 (5,11)
12SWS0243	SWS 243	.063 (1,60)	15/64 (5,94)	.025 (0,64)	.164 (4,17)	.130 (3,30)
12SWS0244	SWS 244	.031 (0,79)	.234 (5,94)	.025 (0,64)	.145 (3,68)	.115 (2,92)
12SWS0245	SWS 245	.093 (2,36)	.235 (5,97)	.250 (6,35)	.145 (3,68)	.115 (2,92)
12SWS0246	SWS 246	.027 (0,69)	.240 (6,10)	.047 (1,19)	.134 (3,40)	.115 (2,92)
12SWS0247	SWS 247	3/64 (1,19)	.252 (6,40)	3/64 (1,19)	.140 (3,56)	.115 (2,92)
12SWS0248	SWS 248	.090 (2,29)	.290 (7,37)	.060 (1,52)	.205 (5,21)	.125 (3,18)
12SWS0249	SWS 249	.177 (4,50)	.244 (6,20)	.040 (1,02)	.157 (3,99)	.118 (3,00)
12SWS0250	SWS 250	.156 (3,96)	.265 (6,73)	.118 (3,00)	.205 (5,21)	.142 (3,61)
12SWS0251	SWS 251	.031 (0,79)	.250 (6,35)	.031 (0,79)	.154 (3,91)	.093 (2,36)
12SWS0252	SWS 252	3/64 (1,19)	.240 (6,10)	.130 (3,30)	.138 (3,51)	.114 (2,90)
12SWS0253	SWS 253	.052 (1,32)	.200 (5,08)	.078 (1,98)	.135 (3,43)	.120 (3,05)
12SWS0254	SWS 254	.281 (7,13)	.203 (5,16)	.040 (1,02)	.156 (3,96)	.100 (2,54)
12SWS0255	SWS 255	1/8 (2,94)	.500 (12,70)	1/8 (2,94)	.375 (9,53)	.285 (7,14)
12SWS0256	SWS 256	.100 (2,54)	.243 (6,17)	.060 (1,52)	.199 (5,05)	.125 (3,18)
12SWS0257	SWS 257	.280 (7,11)	.250 (6,35)	.046 (1,17)	.150 (3,81)	.118 (3,00)
12SWS0258	SWS 258	.250 (6,35)	.283 (7,19)	.045 (1,14)	.199 (5,05)	.123 (3,12)
12SWS0259	SWS 259	.250 (6,35)	.320 (8,12)	.050 (1,27)	.198 (5,02)	.168 (4,26)
12SWS0260	SWS 260	.115 (2,92)	.250 (6,35)	.045 (1,14)	.150 (3,81)	.125 (3,18)
12SWS0280	SWS 280	.185 (4,70)	.280 (7,11)	.042 (1,07)	.150 (3,81)	.112 (2,84)
12SWS0290	SWS 290	1/32 (0,79)	.290 (7,37)	3/64 (1,19)	.170 (4,32)	.140 (3,56)
12SWS0291	SWS 291	.375 (9,53)	.290 (7,37)	.234 (5,94)	.170 (4,32)	.140 (3,56)
12SWS0296	SWS 296	.375 (9,53)	.499 (12,67)	.125 (3,18)	.295 (7,49)	.187 (4,75)

New
SIZES



WASHERS, SHOULDER WASHERS & SCREW INSULATORS

SECTION IV

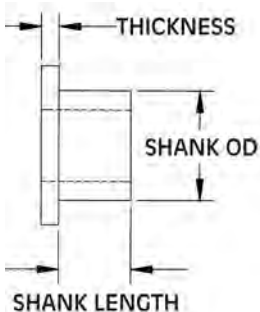
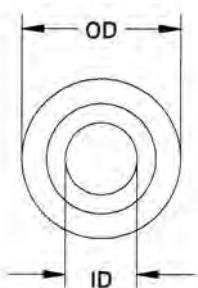
SHOULDER WASHERS

Molded in **Natural Nylon 6/6**

Nylon Shoulder Washers are suitable for a large variety of insulation and mechanical applications.

- ▶ THEY INSULATE
- ▶ REDUCE VIBRATION
- ▶ ACT AS SPACERS AND GUIDES
- ▶ STRONG AND CORROSION RESISTANT
- ▶ CAN BE USED AS SEAL IN SOME APPLICATIONS

ITEM NUMBER	DESCRIPTION	SHANK LENGTH		OD		THICKNESS		SHANK OD		ID
12SWS0300	SWS 300	.090	(2,29)	.250	(6,35)	.050	(1,27)	.150	(3,81)	.120 (3,05)
12SWS0301	SWS 301	.065	(1,65)	.250	(6,35)	.030	(0,76)	.140	(3,56)	.098 (2,49)
12SWS0302	SWS 302	.039	(0,99)	.210	(5,33)	.032	(0,81)	.141	(3,58)	.118 (3,00)
12SWS0303	SWS 303	.180	(4,57)	.250	(6,35)	.050	(1,27)	.150	(3,18)	.120 (3,05)
12SWS0304	SWS 304	.453	(11,51)	.256	(6,50)	.055	(1,40)	.173	(4,39)	.118 (3,00)
12SWS0305	SWS 305	.120	(3,05)	.250	(6,35)	.050	(1,27)	.135	(3,43)	.118 (3,00)
12SWS0306	SWS 306	.062	(1,57)	.250	(6,35)	.031	(0,79)	.150	(3,81)	.116 (2,95)
12SWS0307	SWS 307	.029	(0,74)	.281	(7,14)	.059	(1,50)	.178	(4,52)	.110 (2,79)
12SWS0308	SWS 308	.018	(0,46)	.245	(6,22)	.062	(1,57)	.150	(3,81)	.113 (2,87)
12SWS0309	SWS 309	.040	(1,02)	.234	(5,94)	.046	(1,17)	.132	(3,35)	.105 (2,67)
12SWS0310	SWS 310	.250	(6,35)	.250	(6,35)	.047	(1,19)	.156	(3,96)	.125 (3,18)
12SWS0311	SWS 311	.437	(11,10)	.260	(6,60)	.032	(0,81)	.158	(4,01)	.125 (3,18)
12SWS0312	SWS 312	.190	(4,83)	.575	(14,61)	.030	(0,76)	.365	(9,27)	.312 (7,92)
12SWS0361	SWS 361	.018	(0,45)	.500	(12,70)	.075	(1,90)	.240	(6,09)	.140 (3,55)
12SWS0363	SWS 363	.031	(0,79)	.437	(11,10)	.062	(1,57)	.240	(6,10)	.194 (4,93)
12SWS0364	SWS 364	.453	(11,51)	.364	(9,24)	.055	(1,40)	.244	(6,20)	.197 (5,00)
12SWS0380	SWS 380	.070	(1,78)	.255	(6,48)	.040	(1,02)	.145	(3,68)	.120 (3,05)
12SWS0390	SWS 390	.023	(0,58)	.312	(7,92)	.030	(0,76)	.197	(5,00)	.126 (3,20)
12SWS0391	SWS 391	.072	(1,82)	.279	(7,08)	.042	(1,06)	.140	(3,55)	.110 (2,79)
12SWS0392	SWS 392	.050	(1,27)	.312	(7,92)	.062	(1,57)	.185	(4,70)	.116 (2,95)
12SWS0393	SWS 393	.380	(9,65)	.400	(10,16)	.032	(0,81)	.200	(5,08)	.132 (3,35)
12SWS0394	SWS 394	.226	(5,74)	.276	(7,01)	.030	(0,76)	.236	(5,99)	.177 (4,50)
12SWS0395	SWS 395	.025	(0,64)	.250	(6,35)	.031	(0,79)	.122	(3,10)	.093 (2,36)
12SWS0396	SWS 396	.040	(1,02)	.250	(6,35)	.047	(1,19)	.140	(3,56)	.102 (2,59)
12SWS0397	SWS 397	.032	(0,81)	.250	(6,35)	.063	(1,60)	.150	(3,81)	.116 (2,95)
12SWS0398	SWS 398	.296	(7,52)	.290	(7,37)	.047	(1,19)	.170	(4,32)	.140 (3,56)
12SWS0399	SWS 399	.050	(1,27)	.250	(6,35)	.031	(0,79)	.185	(4,70)	.120 (3,02)
12SWS0400	SWS 400	3/32	(2,38)	.235	(5,97)	3/64	(1,19)	.141	(3,58)	.115 (2,92)
12SWS0401	SWS 401	1/4	(6,35)	.235	(5,97)	3/64	(1,19)	.145	(3,68)	.115 (2,92)
12SWS0402	SWS 402	3/64	(1,19)	.240	(6,09)	1/16	(1,59)	.138	(3,50)	.114 (2,89)
12SWS0403	SWS 403	1/16	(1,59)	.312	(7,93)	1/16	(1,59)	.149	(3,79)	.115 (2,92)
12SWS0404	SWS 404	3/32	(2,38)	.312	(7,93)	1/16	(1,59)	.149	(3,79)	.115 (2,92)
12SWS0405	SWS 405	1/64	(0,41)	.250	(6,35)	3/64	(1,19)	.124	(3,15)	.111 (2,82)
12SWS0406	SWS 406	1/32	(0,79)	.252	(6,40)	1/32	(0,79)	.186	(4,72)	.140 (3,56)
12SWS0407	SWS 407	1/32	(0,79)	.250	(6,35)	1/32	(0,79)	.186	(4,72)	.139 (3,53)
12SWS0408	SWS 408	.250	(6,35)	.235	(5,97)	.032	(0,81)	.120	(3,05)	.090 (2,29)
12SWS0409	SWS 409	1/8	(3,18)	.250	(6,35)	1/32	(0,79)	.195	(4,95)	.130 (3,30)
12SWS0410	SWS 410	1/32	(0,79)	.250	(6,35)	3/64	(1,19)	.114	(2,90)	.100 (2,54)
12SWS0411	SWS 411	1/16	(1,59)	.250	(6,35)	1/32	(0,79)	.143	(3,63)	.115 (2,92)
12SWS0412	SWS 412	1/16	(1,59)	.250	(6,35)	1/32	(0,79)	.169	(4,29)	.102 (2,59)
12SWS0413	SWS 413	3/32	(2,38)	.250	(6,35)	3/64	(1,19)	.114	(2,90)	.100 (2,54)
12SWS0414	SWS 414	1/8	(3,18)	.281	(7,14)	3/32	(2,38)	.158	(4,01)	.093 (2,36)
12SWS0415	SWS 415	3/16	(4,76)	.293	(7,44)	3/64	(1,19)	.218	(5,53)	.138 (3,51)
12SWS0416	SWS 416	11/64	(4,37)	.250	(6,35)	3/64	(1,19)	.186	(4,72)	.126 (3,20)
12SWS0417	SWS 417	1/64	(0,41)	.310	(7,87)	1/16	(1,59)	.183	(4,65)	.139 (3,53)
12SWS0418	SWS 418	1/64	(0,41)	.312	(7,93)	1/16	(1,59)	.187	(4,75)	.115 (2,92)
12SWS0419	SWS 419	1/32	(0,79)	.312	(7,93)	1/32	(0,79)	.185	(4,70)	.140 (3,56)



WASHERS, SHOULDER WASHERS & SCREW INSULATORS

SECTION
IV

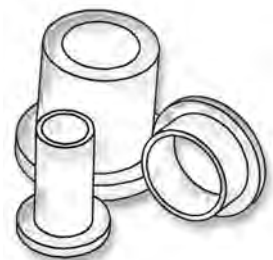
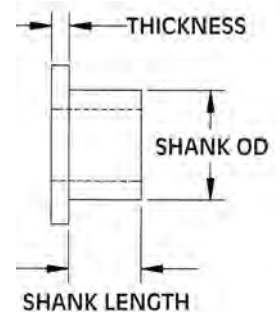
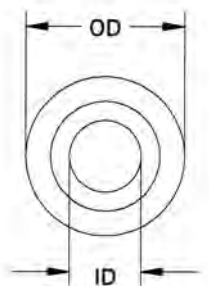
SHOULDER WASHERS

Molded in **Natural Nylon 6/6**

Nylon Shoulder Washers are suitable for a large variety of insulation and mechanical applications.

► THEY INSULATE ► REDUCE VIBRATION ► ACT AS SPACERS AND GUIDES ► STRONG AND CORROSION RESISTANT ► CAN BE USED AS SEAL IN SOME APPLICATIONS

ITEM NUMBER	DESCRIPTION	SHANK LENGTH	OD	THICKNESS	SHANK OD	ID
12SWS0420	SWS 420	1/16 (1,59)	.312 (7,93)	1/16 (1,59)	.170 (4,32)	.120 (3,05)
12SWS0421	SWS 421	3/64 (1,19)	.312 (7,93)	1/16 (1,59)	.170 (4,32)	.127 (3,23)
12SWS0422	SWS 422	1/8 (3,18)	.312 (7,93)	3/64 (1,19)	.234 (5,94)	.144 (3,66)
12SWS0423	SWS 423	1/64 (0,41)	.250 (6,35)	1/32 (0,79)	.150 (3,81)	.116 (2,95)
12SWS0424	SWS 424	7/32 (5,55)	.295 (7,49)	1/32 (0,79)	.234 (5,94)	.140 (3,56)
12SWS0425	SWS 425	1/32 (0,79)	.312 (7,93)	1/16 (1,59)	.250 (6,35)	.196 (4,98)
12SWS0426	SWS 426	11/64 (4,37)	.250 (6,35)	3/64 (1,19)	.145 (3,68)	.115 (2,92)
12SWS0427	SWS 427	3/64 (1,19)	.250 (6,35)	1/32 (0,79)	.185 (4,70)	.116 (2,95)
12SWS0428	SWS 428	7/64 (2,77)	.242 (6,15)	3/64 (1,19)	.140 (3,56)	.115 (2,92)
12SWS0429	SWS 429	9/64 (3,58)	.250 (6,35)	3/64 (1,19)	.145 (3,68)	.115 (2,92)
12SWS0430	SWS 430	3/16 (4,76)	.315 (8,00)	1/16 (1,59)	.250 (6,35)	.156 (3,96)
12SWS0431	SWS 431	3/32 (2,38)	.240 (6,10)	1/32 (0,79)	.185 (4,70)	.125 (3,18)
12SWS0432	SWS 432	3/64 (1,19)	.250 (6,35)	3/64 (1,19)	.143 (3,63)	.113 (2,87)
12SWS0433	SWS 433	7/64 (2,77)	.250 (6,35)	3/64 (1,19)	.145 (3,68)	.115 (2,92)
12SWS0434	SWS 434	1/16 (1,59)	.312 (7,93)	3/64 (1,19)	.170 (4,32)	.140 (3,56)
12SWS0435	SWS 435	3/64 (1,19)	.250 (6,35)	1/16 (1,59)	.185 (4,70)	.116 (2,95)
12SWS0436	SWS 436	1/32 (0,79)	.240 (6,10)	3/64 (1,19)	.139 (3,53)	.115 (2,92)
12SWS0437	SWS 437	1/32 (0,79)	.265 (6,73)	1/32 (0,79)	.157 (3,99)	.126 (3,20)
12SWS0438	SWS 438	1/32 (0,79)	.312 (7,93)	1/16 (1,59)	.187 (4,75)	.141 (3,58)
12SWS0439	SWS 439	1/16 (1,59)	.250 (6,35)	3/64 (1,19)	.138 (3,50)	.120 (3,05)
12SWS0440	SWS 440	5/16 (7,94)	.312 (7,93)	1/32 (0,79)	.154 (3,91)	.130 (3,30)
12SWS0441	SWS 441	3/16 (4,76)	.315 (8,00)	1/32 (0,79)	.234 (5,94)	.184 (4,67)
12SWS0442	SWS 442	7/32 (5,54)	.296 (7,52)	1/32 (0,79)	.235 (5,97)	.135 (3,43)
12SWS0443	SWS 443	.156 (3,96)	.252 (6,40)	.047 (1,19)	.140 (3,56)	.115 (2,92)
12SWS0444	SWS 444	1/16 (1,59)	.300 (7,62)	3/64 (1,19)	.194 (4,93)	.160 (4,06)
12SWS0445	SWS 445	1/32 (0,79)	.313 (7,95)	1/32 (0,79)	.175 (4,45)	.143 (3,63)
12SWS0446	SWS 446	1/64 (0,41)	.312 (7,93)	3/64 (1,19)	.160 (4,06)	.097 (2,46)
12SWS0448	SWS 448	3/32 (2,38)	.312 (7,93)	3/64 (1,19)	.187 (4,75)	.128 (3,25)
12SWS0449	SWS 449	1/32 (0,79)	.313 (7,95)	1/32 (0,79)	.219 (5,56)	.124 (3,15)
12SWS0450	SWS 450	1/16 (1,59)	.312 (7,93)	3/64 (1,19)	.234 (5,94)	.144 (3,66)
12SWS0451	SWS 451	1/32 (0,79)	.315 (8,00)	.030 (0,76)	.150 (3,81)	.115 (2,92)
12SWS0452	SWS 452	1/32 (0,79)	.312 (7,93)	3/64 (1,19)	.203 (5,16)	.120 (3,05)
12SWS0453	SWS 453	.027 (0,69)	.312 (7,93)	.035 (0,89)	.187 (4,75)	.140 (3,56)
12SWS0454	SWS 454	1/32 (0,79)	.313 (7,95)	1/32 (0,79)	.219 (5,56)	.136 (3,45)
12SWS0455	SWS 455	3/64 (1,19)	.315 (8,00)	1/32 (0,79)	.185 (4,70)	.126 (3,20)
12SWS0456	SWS 456	3/64 (1,19)	.250 (6,35)	3/64 (1,19)	.156 (3,96)	.115 (2,92)
12SWS0457	SWS 457	.031 (0,79)	.250 (6,35)	.031 (0,79)	.187 (4,75)	.120 (3,05)
12SWS0458	SWS 458	.078 (1,98)	.312 (7,92)	.031 (0,79)	.185 (4,70)	.128 (3,25)
12SWS0459	SWS 459	15/64 (5,94)	.291 (7,39)	1/16 (1,59)	.154 (3,91)	.120 (3,05)
12SWS0460	SWS 460	.125 (3,18)	.290 (7,37)	.047 (1,19)	.170 (4,32)	.140 (3,56)
12SWS0462	SWS 462	.031 (0,79)	.312 (7,93)	.063 (1,60)	.187 (4,75)	.123 (3,12)
12SWS0463	SWS 463	.050 (1,27)	.312 (7,93)	.046 (1,17)	.229 (5,82)	.163 (4,13)
12SWS0464	SWS 464	19/64 (7,52)	.250 (6,35)	3/64 (1,19)	.145 (3,68)	.115 (2,92)
12SWS0465	SWS 465	.060 (1,52)	.312 (7,93)	.030 (0,76)	.189 (4,80)	.144 (3,66)
12SWS0466	SWS 466	.025 (0,64)	.307 (7,80)	.035 (0,89)	.154 (3,91)	.093 (2,36)
12SWS0467	SWS 467	.062 (1,57)	.312 (7,93)	.063 (1,60)	.126 (3,20)	.091 (2,31)
12SWS0468	SWS 468	.250 (6,35)	.312 (7,93)	.060 (1,52)	.210 (5,33)	.142 (3,61)



WASHERS, SHOULDER WASHERS & SCREW INSULATORS

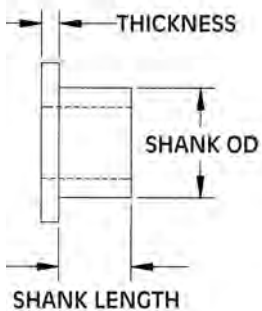
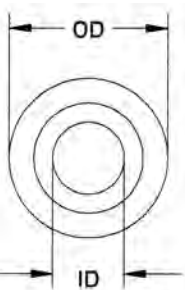
SECTION IV

SHOULDER WASHERS

Molded in **Natural Nylon 6/6**

Nylon Shoulder Washers are suitable for a large variety of insulation and mechanical applications.

- ▶ THEY INSULATE ▶ REDUCE VIBRATION ▶ ACT AS SPACERS AND GUIDES ▶ STRONG AND CORROSION RESISTANT ▶ CAN BE USED AS SEAL IN SOME APPLICATIONS



ITEM NUMBER	DESCRIPTION	SHANK LENGTH	OD	THICKNESS	SHANK OD	ID
12SWS0469	SWS 469	.122 (3,10)	.388 (9,85)	.187 (4,75)	.207 (5,26)	.160 (4,06)
12SWS0470	SWS 470	.165 (4,19)	.290 (7,37)	.047 (1,19)	.200 (5,08)	.145 (3,68)
12SWS0472	SWS 472	.027 (0,69)	.316 (8,03)	.096 (2,44)	.181 (4,60)	.150 (3,81)
12SWS0473	SWS 473	.600 (15,24)	.290 (7,39)	.047 (1,19)	.210 (5,33)	.140 (3,56)
12SWS0474	SWS 474	.312 (7,92)	.312 (7,92)	.058 (1,47)	.185 (4,70)	.125 (3,18)
12SWS0475	SWS 475	.100 (2,54)	.312 (7,93)	.045 (1,14)	.150 (3,81)	.114 (2,90)
12SWS0476	SWS 476	.052 (1,32)	.300 (7,62)	.035 (0,89)	.087 (2,21)	.055 (1,40)
12SWS0477	SWS 477	.067 (1,70)	.308 (7,82)	.045 (1,14)	.183 (4,65)	.132 (3,35)
12SWS0478	SWS 478	.750 (19,05)	.325 (8,26)	.047 (1,19)	.220 (5,59)	.140 (3,56)
12SWS0479	SWS 479	.187 (4,75)	5/16 (7,94)	.062 (1,58)	.172 (4,37)	.147 (3,73)
12SWS0480	SWS 480	.100 (2,54)	.310 (7,87)	.037 (0,94)	.242 (6,15)	.164 (4,17)
12SWS0482	SWS 482	.188 (4,76)	.375 (9,52)	.045 (1,14)	.250 (6,35)	.165 (4,19)
12SWS0601	SWS 601	1/4 (6,35)	.290 (7,37)	3/64 (1,19)	.170 (4,32)	.140 (3,56)
12SWS0602	SWS 602	1/32 (0,79)	.330 (8,38)	1/16 (1,59)	.206 (5,23)	.141 (3,58)
12SWS0603	SWS 603	.062 (1,57)	.300 (7,62)	.050 (1,27)	.180 (4,57)	.150 (3,81)
12SWS0604	SWS 604	.125 (3,18)	.300 (7,62)	.047 (1,19)	.194 (4,93)	.160 (4,06)
12SWS0605	SWS 605	3/64 (1,19)	.328 (8,33)	3/64 (1,19)	.218 (5,54)	.146 (3,71)
12SWS0606	SWS 606	3/64 (1,19)	.340 (8,64)	5/64 (1,98)	.250 (6,35)	.140 (3,56)
12SWS0607	SWS 607	1/16 (1,59)	.292 (7,42)	1/16 (1,59)	.215 (5,46)	.093 (2,36)
12SWS0608	SWS 608	3/64 (1,19)	.290 (7,37)	3/64 (1,19)	.170 (4,32)	.140 (3,56)
12SWS0609	SWS 609	3/64 (1,19)	.312 (7,93)	1/32 (0,79)	.185 (4,70)	.116 (2,95)
12SWS0610	SWS 610	1/16 (1,59)	.348 (8,83)	1/32 (0,79)	.290 (7,36)	.256 (6,50)
12SWS0611	SWS 611	.085 (2,15)	.201 (5,10)	.040 (1,01)	.166 (4,21)	.108 (2,74)
12SWS0612	SWS 612	3/32 (2,38)	.316 (8,03)	3/64 (1,19)	.158 (4,01)	.116 (2,95)
12SWS0613	SWS 613	.030 (0,76)	.375 (9,52)	.045 (1,14)	.160 (4,06)	.120 (3,04)
12SWS0614	SWS 614	1/32 (0,79)	.324 (8,23)	1/16 (1,59)	.204 (5,18)	.140 (3,56)
12SWS0615	SWS 615	.065 (1,65)	.320 (8,13)	.050 (1,27)	.182 (4,62)	.141 (3,58)
12SWS0616	SWS 616	.126 (3,20)	.320 (8,13)	.039 (0,99)	.250 (6,35)	.218 (5,54)
12SWS0617	SWS 617	.041 (1,04)	.750 (19,05)	.090 (2,28)	.260 (6,60)	.114 (2,89)
12SWS0621	SWS 621	3/32 (2,38)	.340 (8,64)	1/16 (1,59)	.220 (5,59)	.175 (4,45)
12SWS0622	SWS 622	.387 (9,83)	.372 (9,45)	.062 (1,57)	.201 (5,11)	.176 (4,47)
12SWS0623	SWS 623	.074 (1,88)	.325 (8,25)	.076 (1,93)	.219 (5,57)	.170 (4,32)
12SWS0624	SWS 624	.050 (1,27)	.312 (7,94)	.031 (0,79)	.211 (5,36)	.176 (4,47)
12SWS0625	SWS 625	.373 (9,47)	.340 (8,64)	.063 (1,60)	.223 (5,66)	.159 (4,04)
12SWS0627	SWS 627	.250 (6,35)	.365 (9,27)	.062 (1,57)	.203 (5,16)	.170 (4,32)
12SWS0628	SWS 628	3/8 (9,53)	.345 (8,76)	1/16 (1,59)	.205 (5,21)	.173 (4,39)
12SWS0629	SWS 629	3/64 (1,19)	.345 (8,76)	1/16 (1,59)	.209 (5,30)	.171 (4,34)
12SWS0630	SWS 630	13/64 (5,16)	.368 (9,34)	5/64 (1,98)	.146 (3,70)	.115 (2,92)
12SWS0631	SWS 631	.500 (12,70)	.250 (6,35)	.035 (0,89)	.187 (4,75)	.070 (1,78)
12SWS0632	SWS 632	1/16 (1,59)	.349 (8,87)	3/64 (1,19)	.248 (6,30)	.140 (3,56)
12SWS0633	SWS 633	.060 (1,52)	.349 (8,87)	.050 (1,27)	.260 (6,60)	.133 (3,38)
12SWS0634	SWS 634	11/64 (4,37)	.350 (8,89)	1/64 (0,41)	.300 (7,62)	.112 (2,84)
12SWS0635	SWS 635	.070 (1,78)	.375 (9,53)	.04 (1,02)	.190 (4,83)	.125 (3,18)
12SWS0636	SWS 636	.120 (3,05)	.344 (8,74)	.063 (1,60)	.235 (5,97)	.175 (4,45)
12SWS0637	SWS 637	.093 (2,36)	.344 (8,74)	.063 (1,60)	.205 (5,21)	.173 (4,39)
12SWS0638	SWS 638	.074 (1,88)	.438 (11,13)	.076 (1,93)	.225 (5,72)	.166 (4,22)
12SWS0639	SWS 639	.190 (4,83)	.343 (8,71)	.060 (1,52)	.197 (5,00)	.176 (4,47)



WASHERS, SHOULDER WASHERS & SCREW INSULATORS

SECTION
IV

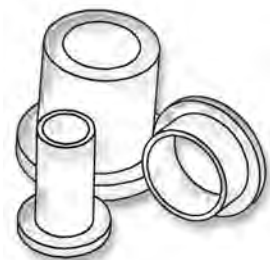
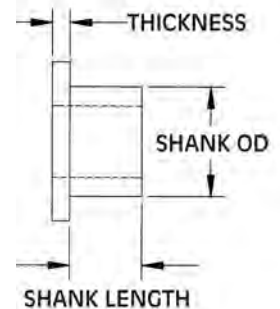
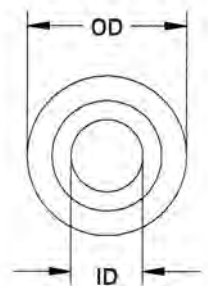
SHOULDER WASHERS

Molded in **Natural Nylon 6/6**

Nylon Shoulder Washers are suitable for a large variety of insulation and mechanical applications.

► THEY INSULATE ► REDUCE VIBRATION ► ACT AS SPACERS AND GUIDES ► STRONG AND CORROSION RESISTANT ► CAN BE USED AS SEAL IN SOME APPLICATIONS

ITEM NUMBER	DESCRIPTION	SHANK LENGTH	OD	THICKNESS	SHANK OD	ID
12SWS0640	SWS 640	.438 (11,12)	.344 (8,73)	.063 (1,60)	.205 (5,20)	.073 (4,39)
12SWS0796	SWS 796	.055 (1,40)	.313 (7,95)	.085 (2,16)	.187 (4,75)	.144 (3,66)
12SWS0798	SWS 798	.085 (2,16)	.344 (8,74)	.063 (1,60)	.235 (5,97)	.175 (4,45)
12SWS0799	SWS 799	3/64 (1,19)	.344 (8,74)	7/64 (2,77)	.189 (4,80)	.141 (3,58)
12SWS0800	SWS 800	9/64 (3,58)	.344 (8,74)	1/16 (1,59)	.210 (5,33)	.170 (4,32)
12SWS0801	SWS 801	3/8 (9,53)	.344 (8,74)	1/16 (1,59)	.205 (5,21)	.173 (4,39)
12SWS0802	SWS 802	1/16 (1,59)	.375 (9,53)	1/32 (0,79)	.195 (4,95)	.171 (4,34)
12SWS0803	SWS 803	13/32 (10,32)	.510 (12,95)	1/16 (1,59)	.250 (6,35)	.171 (4,34)
12SWS0804	SWS 804	.177 (4,50)	.355 (9,02)	.020 (0,51)	.315 (8,00)	.236 (5,99)
12SWS0805	SWS 805	.283 (7,19)	.370 (9,40)	.067 (1,70)	.242 (6,15)	.195 (4,95)
12SWS0806	SWS 806	.250 (6,35)	.344 (8,74)	.032 (0,81)	.205 (5,21)	.173 (4,39)
12SWS0807	SWS 807	.046 (1,17)	.359 (9,12)	.060 (1,52)	.300 (7,62)	.227 (5,77)
12SWS0808	SWS 808	1/8 (3,18)	.375 (9,53)	1/16 (1,59)	.280 (7,11)	.201 (5,10)
12SWS0809	SWS 809	5/32 (3,97)	.378 (9,60)	5/64 (1,98)	.194 (4,92)	.116 (2,94)
12SWS0810	SWS 810	1/32 (0,79)	.375 (9,53)	1/16 (1,59)	.250 (6,35)	.171 (4,34)
12SWS0811	SWS 811	3/64 (1,19)	.375 (9,53)	3/64 (1,19)	.245 (6,22)	.192 (4,88)
12SWS0812	SWS 812	3/32 (2,38)	.375 (9,53)	1/32 (0,79)	.260 (6,60)	.220 (5,59)
12SWS0813	SWS 813	7/64 (2,77)	.375 (9,53)	3/64 (1,19)	.195 (4,95)	.136 (3,45)
12SWS0814	SWS 814	3/64 (1,19)	.375 (9,53)	5/64 (1,98)	.244 (6,20)	.150 (3,81)
12SWS0815	SWS 815	3/32 (2,38)	.375 (9,53)	1/32 (0,79)	.185 (4,70)	.140 (3,56)
12SWS0816	SWS 816	1/32 (0,79)	.375 (9,53)	1/32 (0,79)	.250 (6,35)	.169 (4,29)
12SWS0817	SWS 817	3/64 (1,19)	.375 (9,53)	1/16 (1,59)	.218 (5,54)	.140 (3,56)
12SWS0818	SWS 818	1/32 (0,79)	.375 (9,53)	1/16 (1,59)	.246 (6,25)	.167 (4,24)
12SWS0819	SWS 819	1/16 (1,59)	.437 (11,10)	1/16 (1,59)	.313 (7,95)	.188 (4,78)
12SWS0820	SWS 820	1/32 (0,79)	.375 (9,53)	1/16 (1,59)	.185 (4,70)	.140 (3,56)
12SWS0821	SWS 821	1/32 (0,79)	.381 (9,68)	1/16 (1,59)	.308 (7,82)	.196 (4,98)
12SWS0822	SWS 822	1/32 (0,79)	.374 (9,50)	1/32 (0,79)	.246 (6,24)	.141 (3,58)
12SWS0823	SWS 823	.099 (2,51)	.375 (9,53)	.040 (1,02)	.250 (6,35)	.171 (4,34)
12SWS0824	SWS 824	.05 (1,27)	3/8 (9,53)	.06 (1,52)	.245 (6,22)	.140 (3,56)
12SWS0825	SWS 825	.060 (1,52)	.375 (9,53)	.030 (0,76)	.245 (6,22)	.145 (3,68)
12SWS0826	SWS 826	.062 (1,57)	.500 (12,70)	1/16 (1,59)	.308 (7,82)	.196 (4,98)
12SWS0827	SWS 827	.046 (1,17)	.375 (9,53)	.040 (1,02)	.250 (6,35)	.171 (4,34)
12SWS0828	SWS 828	.125 (3,18)	.380 (9,65)	.065 (1,65)	.254 (6,45)	.196 (4,98)
12SWS0829	SWS 829	1/8 (3,18)	.370 (9,40)	.110 (2,79)	.307 (7,80)	.255 (6,48)
12SWS0830	SWS 830	.032 (0,81)	.375 (9,53)	.062 (1,57)	.187 (4,75)	.147 (3,73)
12SWS0831	SWS 831	.250 (6,35)	.375 (9,53)	.040 (1,02)	.250 (6,35)	.171 (4,34)
12SWS0832	SWS 832	.043 (1,09)	.375 (9,53)	.035 (0,76)	.257 (6,53)	.193 (4,90)
12SWS0833	SWS 833	.050 (1,27)	.375 (9,53)	.031 (0,79)	.243 (6,17)	.199 (5,05)
12SWS0834	SWS 834	.015 (0,38)	.375 (9,53)	.057 (1,45)	.304 (7,72)	.200 (5,08)
12SWS0835	SWS 835	.050 (1,27)	.377 (9,58)	.050 (1,27)	.245 (6,22)	.155 (3,94)
12SWS0836	SWS 836	.030 (0,76)	.375 (9,53)	.063 (1,60)	.250 (6,35)	.174 (4,42)
12SWS0837	SWS 837	.031 (0,79)	.375 (9,53)	.062 (1,57)	.187 (4,75)	.093 (2,36)
12SWS0838	SWS 838	.180 (4,57)	.350 (8,89)	.067 (1,70)	.240 (6,10)	.188 (4,78)
12SWS0839	SWS 839	.050 (1,27)	.385 (9,78)	.030 (0,76)	.250 (6,35)	.169 (4,29)
12SWS0840	SWS 840	13/64 (5,16)	.370 (9,40)	5/64 (1,98)	.145 (3,68)	.115 (2,92)
12SWS0841	SWS 841	1/8" (3,17)	3/8" (9,52)	.035 (0,89)	.242 (6,15)	.185 (4,70)
12SWS0842	SWS 842	5/64 (1,98)	.375 (9,53)	7/32 (5,55)	.199 (5,05)	.140 (3,56)



WASHERS, SHOULDER WASHERS & SCREW INSULATORS

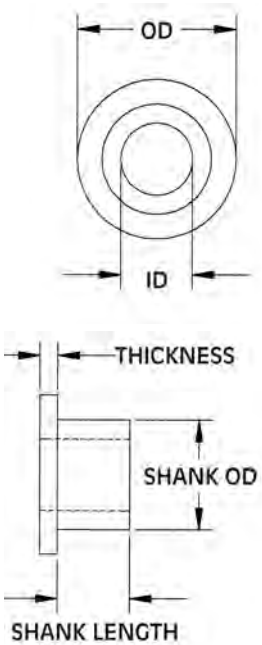
SECTION IV

SHOULDER WASHERS

Molded in **Natural Nylon 6/6**

Nylon Shoulder Washers are suitable for a large variety of insulation and mechanical applications.

- THEY INSULATE ► REDUCE VIBRATION ► ACT AS SPACERS AND GUIDES ► STRONG AND CORROSION RESISTANT ► CAN BE USED AS SEAL IN SOME APPLICATIONS



ITEM NUMBER	DESCRIPTION	SHANK LENGTH	OD	THICKNESS	SHANK OD	ID
12SWS0843	SWS 843	.072 (1,83)	.385 (9,78)	.051 (1,30)	.250 (6,35)	.137 (3,48)
12SWS0844	SWS 844	3/64 (1,19)	.381 (9,68)	1/16 (1,59)	.185 (4,70)	.140 (3,56)
12SWS0845	SWS 845	.346 (8,79)	.370 (9,40)	.031 (0,79)	.242 (6,15)	.180 (4,57)
12SWS0846	SWS 846	1/16 (1,59)	.375 (9,53)	3/32 (2,38)	.250 (6,35)	.140 (3,56)
12SWS0847	SWS 847	.213 (5,14)	.375 (9,53)	1/16 (1,59)	.250 (6,35)	.198 (5,02)
12SWS0848	SWS 848	1/32 (0,79)	.385 (9,78)	1/16 (1,59)	.240 (6,10)	.145 (3,68)
12SWS0849	SWS 849	.060 (1,52)	.375 (9,53)	.030 (0,76)	.312 (7,92)	.253 (6,43)
12SWS0850	SWS 850	1/16 (1,59)	.375 (9,53)	3/32 (2,38)	.250 (6,35)	.138 (3,51)
12SWS0851	SWS 851	.155 (3,94)	.370 (9,40)	.050 (1,27)	.245 (6,22)	.145 (3,68)
12SWS0852	SWS 852	3/32 (2,38)	.375 (9,53)	1/16 (1,59)	.248 (6,30)	.136 (3,45)
12SWS0853	SWS 853	.030 (0,76)	.380 (9,65)	.066 (1,68)	.250 (6,35)	.190 (4,83)
12SWS0854	SWS 854	3/64 (1,19)	.375 (9,53)	1/16 (1,59)	.240 (6,10)	.194 (4,93)
12SWS0855	SWS 855	7/64 (2,77)	.375 (9,53)	1/16 (1,59)	.240 (6,10)	.138 (3,51)
12SWS0856	SWS 856	3/32 (2,38)	.375 (9,53)	1/64 (0,38)	.185 (4,70)	.140 (3,56)
12SWS0857	SWS 857	5/32 (3,97)	.375 (9,53)	5/64 (1,98)	.193 (4,90)	.116 (2,95)
12SWS0858	SWS 858	1/16 (1,59)	.375 (9,53)	1/16 (1,59)	.250 (6,35)	.145 (3,68)
12SWS0859	SWS 859	9/64 (3,58)	.375 (9,53)	1/32 (0,79)	.245 (6,22)	.187 (4,75)
12SWS0860	SWS 860	13/64 (5,16)	.380 (9,65)	1/16 (1,59)	.220 (5,59)	.148 (3,76)
12SWS0861	SWS 861	1/8 (3,18)	.378 (9,60)	1/32 (0,79)	.255 (6,48)	.116 (2,94)
12SWS0862	SWS 862	3/16 (4,76)	.390 (9,91)	5/64 (1,98)	.287 (7,29)	.196 (4,98)
12SWS0863	SWS 863	5/64 (1,98)	.390 (9,91)	5/64 (1,98)	.313 (7,95)	.203 (5,16)
12SWS0864	SWS 864	7/64 (2,77)	.395 (10,03)	5/64 (1,98)	.299 (7,59)	.230 (5,84)
12SWS0865	SWS 865	.055 (1,44)	.380 (9,65)	.065 (1,65)	.254 (6,45)	.196 (4,98)
12SWS0867	SWS 867	.046 (1,17)	.375 (9,53)	.040 (1,02)	.214 (5,44)	.141 (3,58)
12SWS0868	SWS 868	.031 (0,79)	.375 (9,53)	.062 (1,57)	.312 (7,92)	.253 (6,43)
12SWS0869	SWS 869	.207 (5,26)	.390 (9,91)	.062 (1,57)	.348 (8,84)	.312 (7,92)
12SWS0870	SWS 870	1/8 (3,18)	.433 (10,99)	1/16 (1,59)	.312 (7,92)	.199 (5,05)
12SWS0871	SWS 871	.130 (3,30)	.390 (9,91)	.062 (1,57)	.260 (6,60)	.200 (5,08)
12SWS0872	SWS 872	.160 (4,06)	27/64 (10,72)	.050 (1,27)	9/32 (7,15)	.200 (5,08)
12SWS0873	SWS 873	.126 (3,20)	.394 (10,01)	.039 (0,99)	.256 (6,50)	.221 (5,61)
12SWS0874	SWS 874	.139 (3,53)	.390 (9,91)	.025 (0,63)	.303 (7,70)	.223 (5,66)
12SWS0875	SWS 875	.300 (7,62)	.375 (9,53)	.050 (1,27)	.253 (6,43)	.125 (3,18)
12SWS0876	SWS 876	.075 (1,91)	.390 (9,91)	.062 (1,57)	.260 (6,60)	.200 (5,08)
12SWS0877	SWS 877	.312 (7,92)	.390 (9,91)	.055 (1,40)	.281 (7,14)	.171 (4,34)
12SWS0878	SWS 878	.126 (3,20)	.394 (10,01)	.030 (0,76)	.256 (6,50)	.221 (5,61)
12SWS0879	SWS 879	.380 (9,65)	.385 (9,78)	.060 (1,52)	.236 (5,99)	.195 (4,95)
12SWS0880	SWS 880	1/8 (3,18)	.400 (10,16)	1/8 (3,18)	.275 (6,99)	.140 (3,56)
12SWS0881	SWS 881	.187 (4,75)	.312 (7,92)	.125 (3,18)	.250 (6,35)	.115 (2,92)
12SWS0882	SWS 882	9/32 (7,14)	.470 (11,93)	5/64 (1,98)	.312 (7,92)	.140 (3,56)
12SWS0883	SWS 883	.500 (12,70)	.407 (10,34)	.062 (1,57)	.260 (6,60)	.180 (4,57)
12SWS0884	SWS 884	.126 (3,20)	.394 (10,01)	.030 (0,76)	.275 (6,99)	.221 (5,61)
12SWS0885	SWS 885	.100 (1,54)	.400 (10,16)	1/8 (3,18)	.275 (6,99)	.140 (3,56)
12SWS0886	SWS 886	.138 (3,51)	.500 (12,70)	.062 (1,57)	.312 (7,92)	.140 (3,56)
12SWS0887	SWS 887	.187 (4,75)	.408 (10,36)	.062 (1,57)	.240 (6,10)	.197 (5,00)
12SWS0888	SWS 888	3/64 (1,19)	.400 (10,16)	3/64 (1,19)	.243 (6,17)	.156 (3,96)
12SWS0889	SWS 889	.420 (10,67)	.450 (11,43)	.125 (3,18)	.250 (6,35)	.195 (4,95)
12SWS0890	SWS 890	3/64 (1,19)	.415 (10,54)	5/32 (3,97)	.243 (6,17)	.141 (3,58)
12SWS0891	SWS 891	.058 (1,47)	.445 (11,30)	.077 (1,96)	.343 (8,71)	.308 (7,82)
12SWS0892	SWS 892	.095 (2,41)	.360 (9,14)	.040 (1,02)	.250 (6,35)	.150 (3,81)



WASHERS, SHOULDER WASHERS & SCREW INSULATORS

SECTION
IV

SHOULDER WASHERS

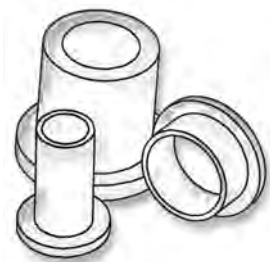
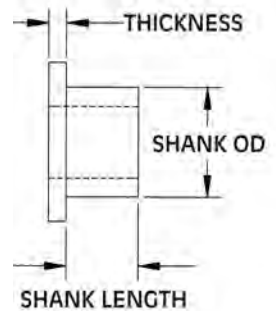
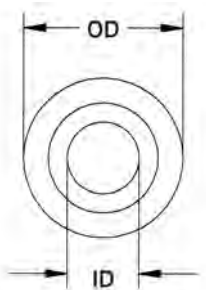
Molded in **Natural Nylon 6/6**

Nylon Shoulder Washers are suitable for a large variety of insulation and mechanical applications.

► THEY INSULATE ► REDUCE VIBRATION ► ACT AS SPACERS AND GUIDES ► STRONG AND CORROSION RESISTANT ► CAN BE USED AS SEAL IN SOME APPLICATIONS

ITEM NUMBER	DESCRIPTION	SHANK LENGTH	OD	THICKNESS	SHANK OD	ID
12SWS0893	SWS 893	.075 (1,91)	.595 (15,11)	.062 (1,57)	.273 (6,93)	.170 (4,32)
12SWS0894	SWS 894	1/16 (1,59)	.418 (10,62)	7/64 (2,77)	.243 (6,17)	.141 (3,58)
12SWS0895	SWS 895	.050 (1,27)	.437 (11,10)	.062 (1,57)	.274 (6,96)	.199 (5,05)
12SWS0896	SWS 896	3/16 (4,76)	.408 (10,36)	1/16 (1,59)	.240 (6,10)	.220 (5,59)
12SWS0897	SWS 897	.315 (8,00)	.433 (11,00)	.079 (2,01)	.310 (7,87)	.202 (5,13)
12SWS0898	SWS 898	.050 (1,27)	.438 (11,13)	.062 (1,57)	.350 (8,89)	.125 (3,18)
12SWS0900	SWS 900	1/32 (0,79)	.428 (10,87)	1/16 (1,59)	.245 (6,22)	.156 (3,96)
12SWS0901	SWS 901	.093 (2,36)	.437 (11,10)	.040 (1,02)	.375 (9,53)	.194 (4,93)
12SWS0902	SWS 902	1/32 (0,79)	.437 (11,10)	1/16 (1,59)	.245 (6,22)	.156 (3,96)
12SWS0903	SWS 903	.115 (2,92)	.432 (10,97)	.065 (1,65)	.256 (6,50)	.196 (4,98)
12SWS0904	SWS 904	3/8 (9,53)	.437 (11,10)	1/16 (1,59)	.282 (7,16)	.225 (5,72)
12SWS0905	SWS 905	1/16 (1,59)	.425 (10,78)	1/16 (1,59)	.310 (7,87)	.250 (6,35)
12SWS0906	SWS 906	.035 (0,89)	.625 (15,87)	.050 (1,27)	.427 (10,84)	.170 (4,32)
12SWS0907	SWS 907	.026 (0,66)	.438 (11,13)	.094 (2,39)	.307 (7,80)	.253 (6,43)
12SWS0908	SWS 908	3/32 (2,38)	.438 (11,13)	1/32 (0,79)	.267 (6,78)	.203 (5,16)
12SWS0909	SWS 909	13/32 (10,32)	.493 (12,52)	3/32 (2,38)	.376 (9,55)	.176 (4,47)
12SWS0910	SWS 910	.070 (1,78)	.438 (11,13)	.048 (1,22)	.285 (7,24)	.191 (4,85)
12SWS0911	SWS 911	.048 (1,22)	.428 (10,87)	.155 (3,94)	.261 (6,63)	.163 (4,14)
12SWS0912	SWS 912	9/64 (3,58)	.432 (10,97)	1/32 (0,79)	.303 (7,70)	.196 (4,98)
12SWS0913	SWS 913	.027 (0,69)	.375 (9,53)	.031 (0,79)	.216 (5,49)	.120 (3,05)
12SWS0914	SWS 914	.043 (1,09)	.440 (11,18)	.094 (2,39)	.312 (7,92)	.193 (4,90)
12SWS0915	SWS 915	.138 (3,51)	.413 (10,49)	.315 (8,00)	.244 (6,20)	.217 (5,51)
12SWS0916	SWS 916	3/16 (4,76)	.743 (18,87)	1/16 (1,59)	.437 (11,10)	.376 (9,55)
12SWS0917	SWS 917	3/64 (1,19)	.428 (10,87)	1/8 (3,18)	.350 (8,89)	.308 (7,82)
12SWS0918	SWS 918	3/64 (1,19)	.450 (11,43)	1/64 (0,41)	.310 (7,87)	.230 (5,84)
12SWS0919	SWS 919	.060 (1,52)	.460 (11,68)	.030 (0,76)	.370 (9,40)	.260 (6,60)
12SWS0920	SWS 920	.138 (3,51)	.413 (10,49)	.118 (3,00)	.244 (6,20)	.217 (5,51)
12SWS0921	SWS 921	.236 (5,99)	.480 (12,19)	.079 (2,01)	.315 (8,00)	.240 (6,10)
12SWS0922	SWS 922	.282 (7,16)	.450 (11,43)	.047 (1,19)	.170 (4,32)	.140 (3,56)
12SWS0923	SWS 923	.190 (4,83)	.450 (11,43)	.063 (1,60)	.215 (5,46)	.190 (4,83)
12SWS0924	SWS 924	1/32" (0,79)	.375 (9,53)	1/16" (1,57)	.248 (6,30)	.130 (3,30)
12SWS0925	SWS 925	3/64 (1,19)	.468 (11,89)	1/16 (1,59)	.248 (6,30)	.140 (3,56)
12SWS0926	SWS 926	11/16 (17,53)	.498 (12,64)	1/16 (1,59)	.375 (9,53)	.254 (6,45)
12SWS0927	SWS 927	.404 (10,26)	.480 (12,19)	.079 (2,01)	.315 (8,00)	.240 (6,10)
12SWS0928	SWS 928	.065 (1,65)	.500 (12,70)	.070 (1,78)	.250 (6,35)	.140 (3,56)
12SWS0929	SWS 929	.490 (12,44)	.406 (10,31)	.094 (2,38)	.250 (6,35)	.195 (4,95)
12SWS0930	SWS 930	7/32 (5,55)	.468 (11,89)	3/64 (1,19)	.375 (9,53)	.325 (8,26)
12SWS0931	SWS 931	.250 (6,35)	.406 (10,31)	.062 (1,57)	.312 (7,92)	.260 (6,60)
12SWS0932	SWS 932	.132 (3,35)	7/16 (11,10)	.029 (0,74)	.312 (7,93)	.260 (6,60)
12SWS0933	SWS 933	.125 (3,18)	.450 (11,43)	.065 (1,65)	.310 (7,87)	.260 (6,60)
12SWS0934	SWS 934	.250 (6,35)	.750 (19,05)	.050 (1,27)	.312 (7,92)	.260 (6,60)
12SWS0935	SWS 935	.187 (4,75)	.495 (12,57)	.065 (1,65)	.312 (7,92)	.200 (5,08)
12SWS0936	SWS 936	.081 (2,05)	.490 (12,44)	.044 (1,11)	.400 (10,16)	.333 (8,45)
12SWS0937	SWS 937	.472 (11,98)	.480 (12,19)	.197 (5,00)	.315 (8,00)	.240 (6,09)
12SWS0938	SWS 938	.397 (10,08)	.395 (10,03)	.125 (3,18)	.260 (6,60)	.200 (5,08)
12SWS0940	SWS 940	.157 (3,99)	.483 (12,27)	.059 (1,50)	.315 (8,00)	.240 (6,10)
12SWS0950	SWS 950	.157 (3,99)	.472 (11,99)	.181 (4,60)	.315 (8,00)	.205 (5,21)
12SWS0951	SWS 951	.031 (0,79)	.500 (12,70)	.031 (0,79)	.243 (6,17)	.171 (4,34)
12SWS0952	SWS 952	.099 (2,51)	.500 (12,70)	.096 (2,44)	.373 (9,47)	.194 (4,93)

New
SIZES



WASHERS, SHOULDER WASHERS & SCREW INSULATORS

SECTION IV

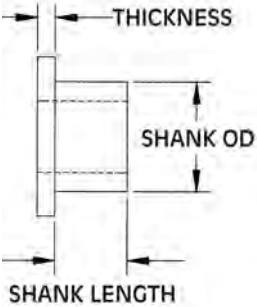
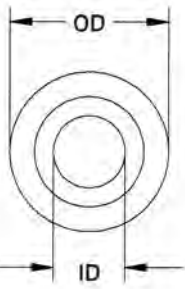
SHOULDER WASHERS

Molded in **Natural Nylon 6/6**

Nylon Shoulder Washers are suitable for a large variety of insulation and mechanical applications.

▶ THEY INSULATE ▶ REDUCE VIBRATION ▶ ACT AS SPACERS AND GUIDES ▶ STRONG AND CORROSION RESISTANT ▶ CAN BE USED AS SEAL IN SOME APPLICATIONS

ITEM NUMBER	DESCRIPTION	SHANK LENGTH	OD	THICKNESS	SHANK OD	ID
12SWS0953	SWS 953	.187 (4,75)	.500 (12,70)	.062 (1,57)	.307 (7,80)	.265 (6,73)
12SWS0954	SWS 954	.085 (2,16)	.500 (12,70)	.039 (0,99)	.234 (5,94)	.195 (4,95)
12SWS0955	SWS 955	.080 (2,03)	.500 (12,70)	.118 (3,00)	.213 (5,41)	.145 (3,68)
12SWS0956	SWS 956	.187 (4,75)	1/2 (12,70)	.032 (0,81)	.312 (7,92)	.260 (6,60)
12SWS0957	SWS 957	.060 (1,52)	.281 (7,14)	.285 (7,24)	.233 (5,92)	.194 (4,93)
12SWS0958	SWS 958	.050 (1,27)	.500 (12,70)	.030 (0,76)	.365 (9,27)	.318 (8,08)
12SWS0959	SWS 959	.221 (5,61)	.755 (19,18)	.317 (8,05)	.373 (9,47)	.272 (6,91)
12SWS0966	SWS 966	.031 (7,87)	.563 (14,30)	.031 (0,78)	.438 (11,12)	.375 (9,52)
12SWS0967	SWS 967	.250 (6,35)	.750 (19,05)	.062 (1,57)	.437 (11,1)	.312 (7,92)
12SWS0968	SWS 968	.748 (19,00)	.698 (17,73)	.065 (1,65)	.400 (10,16)	.316 (8,03)
12SWS0969	SWS 969	.335 (8,51)	.551 (14,00)	.059 (1,50)	.413 (10,49)	.335 (8,51)
12SWS0970	SWS 970	.200 (5,08)	.500 (12,70)	.105 (2,67)	.245 (6,22)	.171 (4,34)
12SWS0971	SWS 971	.085 (2,16)	.500 (12,70)	.040 (1,02)	.250 (6,35)	.166 (4,22)
12SWS1000	SWS 1000	.240 (6,10)	.563 (14,30)	.068 (1,73)	.443 (11,25)	.320 (8,13)
12SWS1001	SWS 1001	3/8 (9,53)	.399 (10,13)	1/16 (1,59)	.260 (6,60)	.200 (5,08)
12SWS1002	SWS 1002	3/32 (2,38)	.438 (11,13)	1/16 (1,59)	.267 (6,78)	.203 (5,16)
12SWS1003	SWS 1003	3/16 (4,76)	.745 (18,92)	1/32 (0,79)	.282 (7,16)	.234 (5,94)
12SWS1004	SWS 1004	9/64 (3,58)	.438 (11,13)	1/32 (0,79)	.250 (6,35)	.135 (3,43)
12SWS1005	SWS 1005	5/64 (1,98)	.464 (11,79)	1/64 (0,41)	.312 (7,92)	.255 (6,48)
12SWS1006	SWS 1006	11/64 (4,37)	.425 (10,80)	1/16 (1,59)	.377 (9,58)	.260 (6,60)
12SWS1007	SWS 1007	3/64 (1,19)	.437 (11,10)	3/64 (1,19)	.281 (7,14)	.201 (5,11)
12SWS1008	SWS 1008	3/64 (1,19)	.620 (15,75)	3/64 (1,19)	.312 (7,92)	.205 (5,21)
12SWS1009	SWS 1009	1/16 (1,59)	.740 (18,80)	1/32 (0,79)	.368 (9,53)	.320 (8,13)
12SWS1010	SWS 1010	3/64 (1,19)	.625 (15,88)	7/64 (2,77)	.375 (9,53)	.250 (6,35)
12SWS1011	SWS 1011	1/16 (1,59)	.675 (17,14)	3/32 (2,38)	.480 (12,19)	.257 (6,53)
12SWS1012	SWS 1012	1/8 (3,18)	.697 (17,70)	1/16 (1,59)	.359 (9,12)	.266 (6,76)
12SWS1013	SWS 1013	3/64 (1,19)	.688 (17,48)	1/32 (0,79)	.543 (13,79)	.508 (12,90)
12SWS1014	SWS 1014	1/32 (0,79)	.437 (11,10)	1/32 (0,79)	.310 (7,87)	.253 (6,43)
12SWS1015	SWS 1015	3/64 (1,19)	.500 (12,70)	3/32 (2,38)	.275 (6,99)	.145 (3,68)
12SWS1016	SWS 1016	7/16 (11,11)	.500 (12,70)	1/8 (3,18)	.250 (6,35)	.167 (4,24)
12SWS1017	SWS 1017	1/16 (1,59)	.562 (14,27)	3/32 (2,38)	.375 (9,53)	.260 (6,60)
12SWS1018	SWS 1018	3/16 (4,76)	.625 (15,88)	1/16 (1,59)	.322 (8,18)	.255 (6,48)
12SWS1019	SWS 1019	3/64 (1,19)	.615 (15,62)	1/32 (0,79)	.310 (7,87)	.253 (6,43)
12SWS1020	SWS 1020	1/16 (1,59)	.640 (16,26)	1/16 (1,59)	.380 (9,65)	.195 (4,95)
12SWS1021	SWS 1021	3/64 (1,19)	.630 (16,00)	1/32 (0,79)	.248 (6,30)	.171 (4,34)
12SWS1022	SWS 1022	3/64 (1,19)	.625 (15,88)	1/16 (1,59)	.375 (9,53)	.190 (4,83)
12SWS1023	SWS 1023	3/64 (1,19)	.555 (14,10)	5/64 (1,98)	.300 (7,62)	.260 (6,60)
12SWS1024	SWS 1024	1/2 (12,70)	.620 (15,75)	.031 (0,79)	.370 (9,40)	.316 (8,03)
12SWS1025	SWS 1025	7/16 (11,11)	9/16 (14,28)	1/16 (1,59)	.375 (9,53)	.255 (6,48)
12SWS1026	SWS 1026	1/32 (0,79)	.588 (14,93)	1/32 (0,79)	.253 (6,43)	.198 (5,02)
12SWS1027	SWS 1027	1/2 (12,70)	.500 (12,70)	1/16 (1,59)	.365 (9,27)	.312 (7,92)
12SWS1028	SWS 1028	.249 (6,32)	.500 (12,70)	.062 (1,57)	.250 (6,35)	.189 (4,80)
12SWS1029	SWS 1029	.158 (4,01)	.500 (12,70)	.120 (3,05)	.300 (7,62)	.196 (4,98)
12SWS1030	SWS 1030	3/32 (2,38)	.490 (12,45)	1/16 (1,59)	.281 (7,14)	.200 (5,08)
12SWS1031	SWS 1031	.050 (1,27)	.500 (12,70)	.062 (1,57)	.248 (6,30)	.194 (4,93)
12SWS1032	SWS 1032	1/32 (0,79)	.510 (12,95)	3/32 (2,38)	.250 (6,35)	.156 (3,96)
12SWS1033	SWS 1033	5/16 (7,94)	.500 (12,70)	1/16 (1,59)	.312 (7,92)	.200 (5,08)



WASHERS, SHOULDER WASHERS & SCREW INSULATORS

SECTION
IV

SHOULDER WASHERS

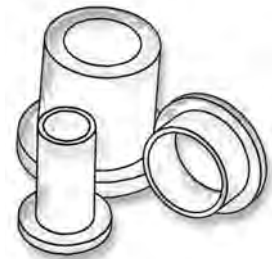
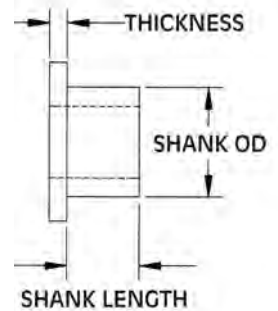
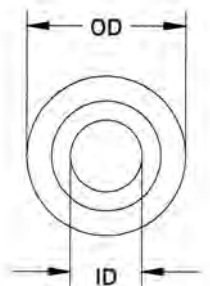
Molded in **Natural Nylon 6/6**

Nylon Shoulder Washers are suitable for a large variety of insulation and mechanical applications.

▶ THEY INSULATE ▶ REDUCE VIBRATION ▶ ACT AS SPACERS AND GUIDES ▶ STRONG AND CORROSION RESISTANT ▶ CAN BE USED AS SEAL IN SOME APPLICATIONS

ITEM NUMBER	DESCRIPTION	SHANK LENGTH	OD	THICKNESS	SHANK OD	ID
12SWS1034	SWS 1034	1/32 (0,79)	.500 (12,70)	1/32 (0,79)	.312 (7,92)	.252 (6,40)
12SWS1035	SWS 1035	1/32 (0,79)	.500 (12,70)	1/16 (1,59)	.230 (5,84)	.147 (3,73)
12SWS1036	SWS 1036	1/64 (0,41)	.500 (12,70)	5/64 (1,98)	.250 (6,35)	.165 (4,19)
12SWS1037	SWS 1037	.047 (1,19)	.500 (12,70)	.125 (3,17)	.281 (7,14)	.219 (5,56)
12SWS1038	SWS 1038	1.000 (25,40)	.875 (22,23)	.062 (1,57)	.500 (12,70)	.390 (9,91)
12SWS1039	SWS 1039	.310 (7,87)	.630 (16,0)	.070 (1,78)	.265 (6,73)	.184 (4,67)
12SWS1040	SWS 1040	3/32 (2,38)	.505 (12,83)	1/16 (1,59)	.343 (8,71)	.257 (6,53)
12SWS1041	SWS 1041	.335 (8,51)	.498 (12,65)	.050 (1,27)	.346 (8,79)	.260 (6,60)
12SWS1042	SWS 1042	.027 (0,69)	.500 (12,70)	.031 (0,79)	.248 (6,30)	.199 (5,05)
12SWS1044	SWS 1044	.080 (2,03)	.500 (12,70)	.078 (1,98)	.213 (5,41)	.145 (3,68)
12SWS1045	SWS 1045	3/16 (4,76)	.498 (12,65)	1/4 (6,35)	.310 (7,87)	.195 (4,95)
12SWS1046	SWS 1046	.150 (3,81)	.504 (12,80)	.160 (4,06)	.312 (7,92)	.265 (6,73)
12SWS1047	SWS 1047	1.250 (31,75)	.500 (12,70)	.125 (3,18)	.375 (9,53)	.250 (6,35)
12SWS1048	SWS 1048	7/16 (11,11)	.500 (12,70)	1/16 (1,59)	.375 (9,53)	.250 (6,35)
12SWS1049	SWS 1049	.076 (1,93)	.500 (12,70)	.040 (1,02)	.345 (8,76)	.265 (6,73)
12SWS1050	SWS 1050	5/32 (3,97)	.490 (12,45)	1/16 (1,59)	.250 (6,35)	.190 (4,83)
12SWS1051	SWS 1051	3/64 (1,19)	.441 (11,20)	1/16 (1,59)	.248 (6,30)	.194 (4,92)
12SWS1052	SWS 1052	5/32 (3,97)	.488 (12,39)	1/8 (3,18)	.250 (6,35)	.190 (4,83)
12SWS1053	SWS 1053	.170 (4,32)	.500 (12,70)	.125 (3,17)	.375 (9,52)	.257 (6,53)
12SWS1054	SWS 1054	9/64 (3,58)	.500 (12,70)	1/16 (1,59)	.345 (8,76)	.285 (7,34)
12SWS1056	SWS 1056	.050 (1,27)	.500 (12,70)	.063 (1,60)	.265 (6,73)	.169 (4,29)
12SWS1057	SWS 1057	3/32 (2,38)	.505 (12,83)	1/16 (1,59)	.312 (7,92)	.260 (6,60)
12SWS1058	SWS 1058	1/32 (0,79)	.490 (12,45)	1/32 (0,79)	.310 (7,87)	.193 (4,90)
12SWS1059	SWS 1059	.060 (1,52)	.500 (12,70)	.030 (0,76)	.365 (9,27)	.260 (6,60)
12SWS1060	SWS 1060	5/64 (1,98)	.492 (12,50)	1/32 (0,79)	.318 (8,08)	.265 (6,73)
12SWS1061	SWS 1061	5/32 (3,97)	.488 (12,39)	1/8 (3,18)	.250 (6,35)	.215 (5,46)
12SWS1062	SWS 1062	.075 (1,91)	.500 (12,70)	.063 (1,60)	.265 (6,73)	.169 (4,29)
12SWS1063	SWS 1063	.460 (11,68)	.450 (11,43)	.125 (3,17)	.250 (6,35)	.195 (4,95)
12SWS1064	SWS 1064	.690 (17,53)	.450 (11,43)	.125 (3,17)	.260 (6,60)	.190 (4,83)
12SWS1065	SWS 1065	3/16 (4,76)	.513 (13,03)	1/16 (1,59)	.312 (7,92)	.175 (4,45)
12SWS1066	SWS 1066	.175 (4,44)	.625 (15,87)	.045 (1,14)	.246 (6,25)	.193 (4,90)
12SWS1067	SWS 1067	.316 (8,03)	.502 (12,75)	.054 (1,37)	.254 (6,45)	.194 (4,93)
12SWS1068	SWS 1068	.076 (1,93)	.375 (9,53)	.040 (1,02)	.250 (6,35)	.171 (4,34)
12SWS1069	SWS 1069	.630 (16,00)	.492 (12,50)	.055 (1,40)	.370 (9,40)	.315 (8,00)
12SWS1070	SWS 1070	5/64 (1,98)	.500 (12,70)	1/32 (0,79)	.318 (8,08)	.193 (4,90)
12SWS1071	SWS 1071	.253 (6,43)	.502 (12,75)	.187 (4,75)	.374 (9,50)	.318 (8,08)
12SWS1072	SWS 1072	.065 (1,65)	.615 (15,62)	.062 (1,57)	.346 (8,79)	.252 (6,40)
12SWS1073	SWS 1073	.425 (10,80)	.558 (14,17)	.031 (0,79)	.373 (9,47)	.313 (7,95)
12SWS1074	SWS 1074	.197 (5,00)	.394 (10,01)	.079 (2,01)	.315 (8,00)	.197 (5,00)
12SWS1075	SWS 1075	1/4 (6,35)	.513 (13,03)	1/16 (1,59)	.370 (9,40)	.260 (6,60)
12SWS1076	SWS 1076	.097 (2,46)	.612 (15,54)	.126 (3,20)	.372 (9,44)	.256 (6,50)
12SWS1077	SWS 1077	.050 (1,27)	.479 (12,17)	.050 (1,27)	.263 (6,68)	.166 (4,22)
12SWS1079	SWS 1079	.122 (3,10)	.500 (12,70)	.167 (4,24)	.270 (6,86)	.222 (5,64)
12SWS1080	SWS 1080	1/64 (0,41)	.500 (12,70)	1/32 (0,79)	.318 (8,08)	.141 (3,58)
12SWS1081	SWS 1081	.375 (9,53)	.500 (12,70)	.093 (2,36)	.411 (10,44)	.380 (9,65)
12SWS1082	SWS 1082	3/64 (1,19)	.500 (12,70)	1/32 (0,79)	.318 (8,08)	.193 (4,90)
12SWS1083	SWS 1083	.160 (4,06)	1/2 (12,70)	.062 (1,57)	.360 (9,14)	.260 (6,60)

New
SIZES



WASHERS, SHOULDER WASHERS & SCREW INSULATORS

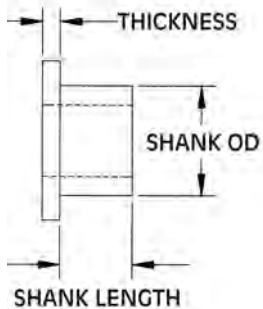
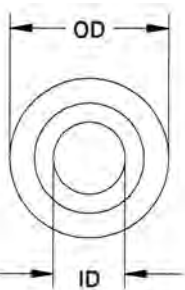
SECTION IV

SHOULDER WASHERS

Molded in **Natural Nylon 6/6**

Nylon Shoulder Washers are suitable for a large variety of insulation and mechanical applications.

- THEY INSULATE ► REDUCE VIBRATION ► ACT AS SPACERS AND GUIDES ► STRONG AND CORROSION RESISTANT ► CAN BE USED AS SEAL IN SOME APPLICATIONS



ITEM NUMBER	DESCRIPTION	SHANK LENGTH		OD		THICKNESS		SHANK OD		ID	
12SWS1084	SWS 1084	3/64	(1,19)	.500	(12,70)	1/32	(0,79)	.318	(8,08)	.141	(3,58)
12SWS1086	SWS 1086	1/16	(1,59)	.500	(12,70)	1/16	(1,59)	.330	(8,38)	.150	(3,81)
12SWS1087	SWS 1087	.110	(2,79)	.630	(16,00)	.034	(0,86)	.322	(8,18)	.255	(6,48)
12SWS1088	SWS 1088	.109	(2,77)	.500	(12,70)	1/16	(1,59)	.240	(6,10)	.138	(3,51)
12SWS1089	SWS 1089	.050	(1,27)	.505	(12,83)	.050	(1,27)	.410	(10,41)	.370	(9,40)
12SWS1090	SWS 1090	3/64	(1,19)	.518	(13,16)	1/32	(0,79)	.305	(7,75)	.080	(2,03)
12SWS1092	SWS 1092	.075	(1,91)	.500	(12,70)	.175	(4,45)	.300	(7,62)	.195	(4,95)
12SWS1093	SWS 1093	.445	(11,30)	.500	(12,70)	.055	(1,39)	.310	(7,87)	.205	(5,20)
12SWS1094	SWS 1094	.071	(1,80)	.787	(19,99)	.039	(0,99)	.390	(9,91)	.315	(8,00)
12SWS1095	SWS 1095	1/8	(3,18)	.502	(12,75)	1/32	(0,79)	.399	(10,13)	.349	(8,86)
12SWS1096	SWS 1096	.375	(9,53)	.437	(11,10)	.055	(1,40)	.310	(7,87)	.196	(4,98)
12SWS1097	SWS 1097	.071	(1,80)	.787	(19,99)	.039	(0,99)	.390	(9,91)	.350	(8,89)
12SWS1098	SWS 1098	9/64	(3,58)	.515	(13,08)	1/16	(1,59)	.312	(7,93)	.260	(6,60)
12SWS1099	SWS 1099	.085	(2,16)	.880	(22,35)	.058	(1,47)	.312	(7,92)	.260	(6,60)
12SWS1100	SWS 1100	15/16	(23,81)	.540	(13,72)	.065	(1,65)	.370	(9,40)	.260	(6,60)
12SWS1101	SWS 1101	3/32	(2,38)	.500	(12,70)	1/32	(0,79)	.282	(7,16)	.234	(5,94)
12SWS1102	SWS 1102	.050	(1,27)	.750	(19,05)	.100	(2,54)	.280	(7,11)	.200	(5,08)
12SWS1103	SWS 1103	.157	(3,98)	.591	(15,01)	.039	(0,99)	.291	(7,39)	.236	(5,99)
12SWS1115	SWS 1115	.500	(12,70)	.525	(15,88)	.063	(1,60)	.370	(9,40)	.267	(6,78)
12SWS1145	SWS 1145	.030	(0,76)	.562	(14,28)	.030	(0,76)	.400	(10,16)	.318	(8,08)
12SWS1146	SWS 1146	.375	(9,52)	.700	(17,78)	.062	(1,57)	.395	(10,03)	.318	(8,07)
12SWS1148	SWS 1148	.440	(11,18)	.470	(11,94)	.060	(1,52)	.344	(8,74)	.219	(5,56)
12SWS1149	SWS 1149	.188	(4,78)	.562	(14,27)	.731	(18,57)	.388	(9,86)	.290	(7,37)
12SWS1150	SWS 1150	3/64	(1,19)	.562	(14,28)	3/64	(1,19)	.300	(7,62)	.260	(6,60)
12SWS1151	SWS 1151	.104	(2,64)	.562	(14,28)	.046	(1,17)	.300	(7,62)	.260	(6,60)
12SWS1152	SWS 1152	.500	(12,70)	.525	(13,33)	.063	(1,60)	.370	(9,40)	.265	(6,73)
12SWS1153	SWS 1153	.040	(1,02)	.560	(14,22)	.060	(1,52)	.312	(7,92)	.257	(6,53)
12SWS1154	SWS 1154	.050	(1,27)	.516	(13,11)	.060	(1,52)	.345	(8,76)	.260	(6,60)
12SWS1155	SWS 1155	3/64	(1,19)	.562	(14,28)	.024	(0,61)	.370	(9,40)	.335	(8,51)
12SWS1156	SWS 1156	.050	(1,27)	.515	(13,08)	.039	(0,99)	.338	(8,59)	.260	(6,60)
12SWS1157	SWS 1157	.030	(0,76)	.375	(9,53)	.020	(0,51)	.312	(7,92)	.252	(6,40)
12SWS1158	SWS 1158	.100	(2,54)	.375	(9,53)	.031	(0,79)	.312	(7,92)	.260	(6,60)
12SWS1159	SWS 1159	9/16	(14,29)	.550	(13,97)	1/16	(1,59)	.375	(9,53)	.255	(6,48)
12SWS1160	SWS 1160	1/16	(1,59)	.562	(14,28)	7/64	(2,77)	.365	(9,27)	.215	(5,46)
12SWS1161	SWS 1161	.620	(15,75)	9/16	(14,27)	1/16	(1,57)	.395	(10,03)	.355	(9,02)
12SWS1162	SWS 1162	27/64	(10,72)	.560	(14,22)	1/16	(1,59)	.375	(9,53)	.255	(6,48)
12SWS1163	SWS 1163	15/32	(11,91)	.550	(13,97)	1/16	(1,59)	.380	(9,65)	.247	(6,27)
12SWS1164	SWS 1164	1/32	(0,79)	.562	(14,28)	1/8	(3,18)	.312	(7,93)	.169	(4,29)
12SWS1165	SWS 1165	1/4	(6,35)	.551	(13,99)	1/16	(1,59)	.380	(9,65)	.248	(6,30)
12SWS1166	SWS 1166	.038	(0,97)	.428	(10,87)	.062	(1,57)	.311	(7,90)	.169	(4,29)
12SWS1167	SWS 1167	.128	(3,25)	.591	(15,01)	.197	(5,00)	.394	(10,01)	.157	(3,99)
12SWS1168	SWS 1168	.438	(11,13)	.562	(14,27)	.062	(1,57)	.375	(9,53)	.188	(4,77)
12SWS1169	SWS 1169	.250	(6,35)	.562	(14,27)	.062	(1,57)	.312	(7,92)	.188	(4,77)
12SWS1170	SWS 1170	3/8	(9,53)	.570	(14,48)	1/16	(1,59)	.470	(11,94)	.385	(9,78)
12SWS1171	SWS 1171	.060	(1,52)	.625	(15,87)	.045	(1,14)	.470	(11,94)	.345	(8,76)
12SWS1172	SWS 1172	.394	(10,01)	.630	(16,00)	.079	(2,01)	.472	(11,99)	.394	(10,01)
12SWS1173	SWS 1173	.349	(8,86)	.839	(21,31)	.261	(6,63)	.475	(12,07)	.388	(9,86)



WASHERS, SHOULDER WASHERS & SCREW INSULATORS

SECTION
IV

SHOULDER WASHERS

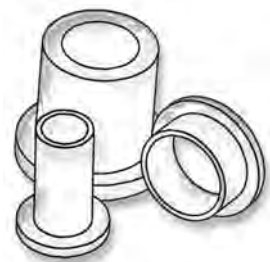
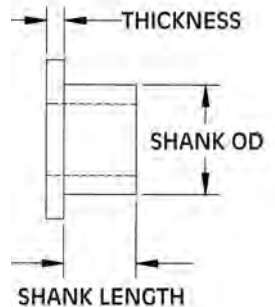
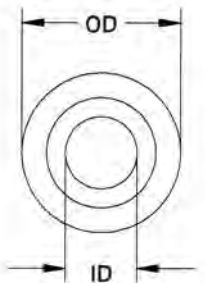
Molded in **Natural Nylon 6/6**

Nylon Shoulder Washers are suitable for a large variety of insulation and mechanical applications.

► THEY INSULATE ► REDUCE VIBRATION ► ACT AS SPACERS AND GUIDES ► STRONG AND CORROSION RESISTANT ► CAN BE USED AS SEAL IN SOME APPLICATIONS

ITEM NUMBER	DESCRIPTION	SHANK LENGTH	OD	THICKNESS	SHANK OD	ID
12SWS1175	SWS 1175	.783 (19,89)	.570 (14,48)	.039 (0,99)	.491 (12,47)	.413 (10,49)
12SWS1176	SWS 1176	.335 (8,51)	.545 (13,84)	.075 (1,91)	.316 (8,03)	.166 (4,22)
12SWS1177	SWS 1177	.110 (2,79)	.571 (14,50)	.074 (6,88)	.526 (13,36)	.441 (11,20)
12SWS1178	SWS 1178	.126 (3,20)	.598 (15,19)	.070 (1,78)	.477 (12,12)	.372 (9,45)
12SWS1180	SWS 1180	3/64 (1,19)	.578 (14,68)	1/16 (1,59)	.185 (4,70)	.140 (3,56)
12SWS1190	SWS 1190	.220 (5,59)	5/8 (15,88)	.061 (1,55)	.355 (9,02)	.266 (6,76)
12SWS1191	SWS 1191	.375 (9,53)	.870 (22,09)	.086 (2,18)	.350 (8,89)	.250 (6,35)
12SWS1193	SWS 1193	.245 (6,22)	.730 (18,54)	.185 (4,70)	.485 (12,32)	.299 (7,59)
12SWS1197	SWS 1197	.342 (8,69)	.625 (15,88)	.125 (3,18)	.485 (12,32)	.390 (9,91)
12SWS1198	SWS 1198	.093 (2,36)	.620 (15,75)	.063 (1,60)	.360 (9,14)	.320 (8,13)
12SWS1199	SWS 1199	.100 (2,54)	.620 (15,75)	.062 (1,57)	.400 (10,16)	.260 (6,60)
12SWS1200	SWS 1200	3/64 (1,19)	.615 (15,62)	3/64 (1,19)	.315 (8,00)	.208 (5,28)
12SWS1201	SWS 1201	1/8 (3,18)	.620 (15,75)	3/8 (9,53)	.360 (9,14)	.320 (8,13)
12SWS1202	SWS 1202	.197 (5,00)	.644 (16,35)	.114 (2,89)	.492 (12,49)	.374 (9,49)
12SWS1203	SWS 1203	.125 (3,17)	.625 (15,87)	.200 (5,08)	.373 (9,47)	.250 (6,35)
12SWS1204	SWS 1204	.500 (12,70)	.600 (15,24)	.025 (0,64)	.485 (12,32)	.324 (8,23)
12SWS1205	SWS 1205	1/32 (0,79)	.622 (15,80)	3/64 (1,19)	.434 (11,02)	.383 (9,73)
12SWS1207	SWS 1207	.163 (4,14)	.625 (15,88)	.040 (1,02)	.281 (7,14)	.219 (5,56)
12SWS1208	SWS 1208	.100 (2,54)	.620 (15,75)	.060 (1,52)	.502 (12,75)	.316 (8,03)
12SWS1209	SWS 1209	.045 (1,14)	.750 (19,05)	.065 (1,65)	.520 (13,20)	.450 (11,43)
12SWS1210	SWS 1210	1/32 (0,79)	.625 (15,88)	1/16 (1,59)	.495 (12,57)	.378 (9,60)
12SWS1211	SWS 1211	.139 (3,53)	.625 (15,88)	.066 (1,68)	.405 (10,29)	.320 (8,13)
12SWS1212	SWS 1212	.025 (0,64)	.625 (15,88)	.062 (1,57)	.375 (9,53)	.200 (5,08)
12SWS1213	SWS 1213	.031 (0,79)	.630 (16,00)	.031 (0,79)	.437 (11,10)	.380 (9,65)
12SWS1214	SWS 1214	.150 (3,81)	.630 (16,00)	.050 (1,27)	.375 (9,53)	.280 (7,11)
12SWS1215	SWS 1215	.062 (1,57)	.625 (15,88)	1/32 (0,79)	.310 (7,87)	.195 (4,95)
12SWS1216	SWS 1216	.433 (11,00)	.630 (16,00)	.079 (2,01)	.433 (11,00)	.315 (8,00)
12SWS1217	SWS 1217	.030 (0,76)	.625 (15,88)	.030 (0,76)	.447 (12,12)	.378 (9,60)
12SWS1218	SWS 1218	.138 (3,51)	.561 (14,25)	.059 (1,59)	.443 (11,25)	.323 (8,20)
12SWS1219	SWS 1219	3/64 (1,19)	.625 (15,88)	1/16 (1,59)	.310 (7,87)	.172 (4,37)
12SWS1220	SWS 1220	3/4 (19,05)	.620 (15,75)	1/8 (3,18)	.400 (10,60)	.260 (6,60)
12SWS1221	SWS 1221	1/8 (3,18)	.630 (16,00)	1/16 (1,59)	.327 (8,31)	.260 (6,60)
12SWS1222	SWS 1222	1/32 (0,79)	.625 (15,88)	1/32 (0,79)	.448 (11,37)	.378 (9,60)
12SWS1223	SWS 1223	.073 (1,85)	.625 (15,87)	.047 (1,19)	.328 (8,33)	.266 (6,76)
12SWS1224	SWS 1224	.070 (1,78)	.560 (14,22)	.060 (1,52)	.450 (11,43)	.175 (4,44)
12SWS1225	SWS 1225	.027 (0,69)	.625 (15,88)	.062 (1,57)	.248 (6,30)	.120 (3,05)
12SWS1226	SWS 1226	.250 (6,35)	1.000 (25,40)	.050 (1,27)	.320 (8,13)	.260 (6,60)
12SWS1227	SWS 1227	.210 (5,33)	.625 (15,88)	.058 (1,47)	.379 (9,63)	.263 (6,68)
12SWS1228	SWS 1228	.025 (0,64)	.625 (15,88)	.060 (1,52)	.219 (5,56)	.140 (3,56)
12SWS1229	SWS 1229	.194 (4,92)	.549 (13,94)	.082 (2,08)	.449 (11,40)	.176 (4,47)
12SWS1230	SWS 1230	3/64 (1,19)	.550 (13,97)	5/64 (1,98)	.305 (7,75)	.260 (6,60)
12SWS1232	SWS 1232	1/2 (12,70)	.620 (15,75)	1/16 (1,59)	.370 (9,40)	.316 (8,03)
12SWS1233	SWS 1233	.090 (2,29)	.625 (15,88)	.062 (1,57)	.311 (7,90)	.253 (6,43)
12SWS1234	SWS 1234	.315 (8,00)	.394 (10,01)	.063 (1,60)	.252 (6,40)	.197 (5,00)
12SWS1235	SWS 1235	.150 (3,81)	.620 (15,75)	.060 (1,52)	.502 (12,75)	.316 (8,03)
12SWS1236	SWS 1236	.249 (6,32)	.398 (10,10)	.123 (3,12)	.260 (6,60)	.200 (5,08)
12SWS1238	SWS 1238	.250 (6,35)	.750 (19,05)	.120 (3,05)	.255 (6,48)	.220 (5,59)

New
SIZES



WASHERS, SHOULDER WASHERS & SCREW INSULATORS

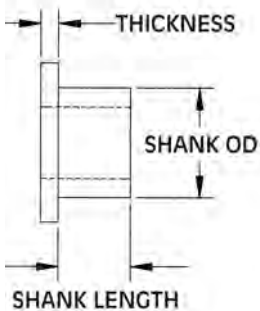
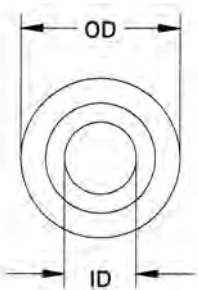
SECTION IV

SHOULDER WASHERS

Molded in **Natural Nylon 6/6**

Nylon Shoulder Washers are suitable for a large variety of insulation and mechanical applications.

- ▶ THEY INSULATE ▶ REDUCE VIBRATION ▶ ACT AS SPACERS AND GUIDES ▶ STRONG AND CORROSION RESISTANT ▶ CAN BE USED AS SEAL IN SOME APPLICATIONS



ITEM NUMBER	DESCRIPTION	SHANK LENGTH		OD		THICKNESS		SHANK OD		ID
12SWS1239	SWS 1239	.188	(4,78)	.625	(15,88)	.032	(0,81)	.260	(6,60)	.200 (5,08)
12SWS1240	SWS 1240	3/16	(4,76)	.630	(16,00)	1/16	(1,59)	.375	(9,53)	.254 (6,45)
12SWS1241	SWS 1241	.175	(4,45)	.650	(16,51)	.125	(3,18)	.490	(12,45)	.385 (9,78)
12SWS1242	SWS 1242	.563	(14,30)	.625	(15,88)	.125	(3,18)	.485	(12,32)	.390 (9,91)
12SWS1243	SWS 1243	.748	(19,00)	.630	(16,00)	.055	(1,40)	.500	(12,70)	.437 (11,10)
12SWS1244	SWS 1244	.090	(2,29)	.635	(16,13)	.042	(1,07)	.380	(9,65)	.216 (5,49)
12SWS1245	SWS 1245	.500	(12,70)	1.000	(25,40)	.130	(3,30)	.493	(12,52)	.280 (7,11)
12SWS1247	SWS 1247	.375	(9,53)	.625	(15,88)	.063	(1,60)	.500	(12,70)	.380 (9,65)
12SWS1248	SWS 1248	.230	(5,84)	.690	(17,52)	.060	(1,52)	.438	(11,12)	.320 (8,12)
12SWS2100	SWS 2100	.250	(6,35)	.688	(17,47)	.062	(1,57)	.562	(14,27)	.437 (11,09)
12SWS2101	SWS 2101	.062	(1,57)	.562	(14,27)	.062	(1,57)	.365	(9,27)	.215 (5,46)
12SWS2102	SWS 2102	.220	(5,59)	.620	(15,75)	.057	(1,45)	.366	(9,30)	.310 (7,87)
12SWS2104	SWS 2104	.225	(5,71)	1/2	(12,70)	.035	(0,89)	.370	(9,40)	.310 (7,87)
12SWS2105	SWS 2105	.125	(3,17)	.750	(19,05)	.062	(1,57)	.375	(9,52)	.312 (7,92)
12SWS2106	SWS 2106	.187	(4,74)	.691	(17,55)	.067	(1,70)	.363	(9,22)	.256 (6,50)
12SWS2107	SWS 2107	.246	(6,24)	.630	(16,00)	.197	(5,00)	.291	(7,39)	.181 (4,59)
12SWS2495	SWS 2495	.142	(3,60)	.375	(9,52)	.063	(1,60)	.232	(5,89)	.139 (3,53)
12SWS2496	SWS 2496	.150	(3,81)	.343	(8,71)	.263	(6,68)	.232	(5,89)	.130 (3,30)
12SWS2497	SWS 2497	.150	(3,81)	.343	(8,71)	.340	(8,64)	.232	(5,89)	.130 (3,30)
12SWS2498	SWS 2498	.513	(13,03)	.687	(17,44)	.263	(6,68)	.412	(10,46)	.325 (8,26)
12SWS2499	SWS 2499	3/8	(9,53)	.513	(13,03)	1/16	(1,59)	.312	(7,93)	.191 (4,85)
12SWS2500	SWS 2500	1/32	(7,94)	.510	(12,95)	3/32	(2,38)	.250	(6,35)	.156 (3,96)
12SWS2501	SWS 2501	3/8	(9,53)	.513	(13,03)	1/16	(1,59)	.312	(7,93)	.261 (6,63)
12SWS2502	SWS 2502	1/8	(3,18)	.467	(11,86)	3/64	(1,19)	.312	(7,93)	.255 (6,48)
12SWS2503	SWS 2503	1/32	(0,79)	.625	(15,88)	1/16	(1,59)	.375	(9,53)	.295 (7,49)
12SWS2504	SWS 2504	1/8	(3,18)	.687	(17,45)	1/8	(3,18)	.437	(11,10)	.328 (8,33)
12SWS2505	SWS 2505	1/32	(0,79)	.500	(12,70)	1/16	(1,59)	.312	(7,93)	.252 (6,40)
12SWS2506	SWS 2506	5/16	(7,94)	.625	(15,88)	1/16	(1,59)	.500	(12,70)	.380 (9,65)
12SWS2507	SWS 2507	1/8	(3,18)	.600	(15,24)	1/8	(3,18)	.370	(7,93)	.250 (6,35)
12SWS2508	SWS 2508	3/16	(4,76)	.674	(17,12)	3/32	(2,38)	.500	(12,70)	.290 (7,36)
12SWS2509	SWS 2509	1-7/64	(28,17)	.635	(16,13)	9/64	(3,58)	.425	(10,80)	.201 (5,11)
12SWS2510	SWS 2510	3/8	(9,53)	.687	(17,45)	3/8	(9,53)	.359	(9,12)	.263 (6,68)
12SWS2511	SWS 2511	5/16	(7,94)	.625	(15,88)	1/16	(1,59)	.500	(12,70)	.395 (10,03)
12SWS2512	SWS 2512	.334	(8,48)	.687	(17,45)	.046	(1,17)	.348	(8,84)	.263 (6,68)
12SWS2513	SWS 2513	1/8	(3,18)	.703	(17,86)	1/16	(1,59)	.437	(11,10)	.335 (8,51)
12SWS2515	SWS 2515	.420	(10,67)	.710	(18,03)	.075	(1,90)	.470	(11,94)	.420 (10,67)
12SWS2516	SWS 2516	.280	(7,11)	.701	(17,80)	.062	(1,57)	.305	(7,75)	.258 (6,55)
12SWS2517	SWS 2517	.110	(2,79)	.710	(18,03)	.190	(4,83)	.338	(8,59)	.255 (6,48)
12SWS2518	SWS 2518	.146	(3,71)	.692	(17,58)	.051	(1,30)	.417	(10,59)	.249 (6,32)
12SWS2519	SWS 2519	.145	(3,68)	.736	(18,69)	.125	(3,18)	.371	(9,42)	.168 (4,27)
12SWS2520	SWS 2520	5/32	(3,97)	.725	(18,41)	5/32	(3,97)	.445	(11,30)	.375 (9,53)
12SWS2521	SWS 2521	5/32	(3,97)	.720	(18,29)	1/16	(1,59)	.485	(12,32)	.270 (6,86)
12SWS2522	SWS 2522	.187	(4,75)	.700	(17,78)	.225	(5,72)	.375	(9,53)	.268 (6,81)
12SWS2523	SWS 2523	.062	(1,59)	.750	(19,05)	.188	(4,78)	.500	(12,70)	.250 (6,35)
12SWS2524	SWS 2524	.150	(3,81)	.730	(18,54)	.125	(3,18)	.500	(12,70)	.315 (8,00)
12SWS2525	SWS 2525	11/32	(3,43)	.730	(18,54)	1/4	(6,35)	.372	(9,44)	.257 (6,52)
12SWS2526	SWS 2526	.500	(12,70)	.688	(17,48)	.062	(1,58)	.562	(14,27)	.437 (11,10)
12SWS2527	SWS 2527	11/16	(17,46)	.750	(19,05)	1/16	(1,59)	.438	(11,13)	.313 (7,95)
12SWS2528	SWS 2528	3/16	(4,76)	.743	(18,87)	1/16	(1,59)	.443	(11,25)	.375 (9,53)



WASHERS, SHOULDER WASHERS & SCREW INSULATORS

SECTION
IV

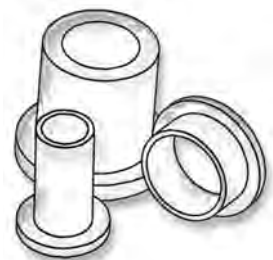
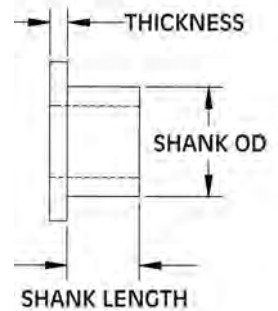
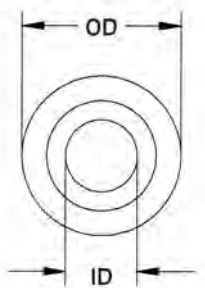
SHOULDER WASHERS

Molded in **Natural Nylon 6/6**

Nylon Shoulder Washers are suitable for a large variety of insulation and mechanical applications.

► THEY INSULATE ► REDUCE VIBRATION ► ACT AS SPACERS AND GUIDES ► STRONG AND CORROSION RESISTANT ► CAN BE USED AS SEAL IN SOME APPLICATIONS

ITEM NUMBER	DESCRIPTION	SHANK LENGTH	OD	THICKNESS	SHANK OD	ID
12SWS2529	SWS 2529	19/32 (15,08)	.750 (19,05)	.060 (1,52)	.528 (13,41)	.385 (9,78)
12SWS2530	SWS 2530	.200 (5,08)	.740 (18,80)	.050 (1,27)	.563 (14,30)	.380 (9,65)
12SWS2531	SWS 2531	5/16 (7,94)	.743 (18,87)	5/64 (1,98)	.502 (12,75)	.383 (9,72)
12SWS2532	SWS 2532	.155 (3,94)	.745 (18,92)	.100 (2,54)	.545 (13,84)	.391 (9,93)
12SWS2533	SWS 2533	.375 (9,52)	3/4 (19,05)	.375 (9,52)	.594 (15,09)	.380 (9,65)
12SWS2534	SWS 2534	.187 (4,75)	.745 (18,92)	.031 (0,79)	.282 (7,16)	.234 (5,94)
12SWS2535	SWS 2535	.118 (3,00)	.750 (19,05)	.032 (0,81)	.688 (17,48)	.569 (14,45)
12SWS2536	SWS 2536	.031 (0,79)	.750 (19,05)	.062 (1,58)	.500 (12,70)	.375 (9,53)
12SWS2538	SWS 2538	1/8 (3,18)	3/4 (19,05)	1/16 (1,59)	.469 (11,91)	.344 (8,74)
12SWS2539	SWS 2539	11/32 (8,73)	.740 (18,80)	3/32 (2,38)	.375 (9,53)	.266 (6,76)
12SWS2540	SWS 2540	1/8 (3,18)	.740 (18,80)	3/32 (2,38)	.371 (9,42)	.266 (6,76)
12SWS2541	SWS 2541	5/64 (1,98)	.750 (19,05)	3/32 (2,38)	.380 (9,65)	.266 (6,76)
12SWS2542	SWS 2542	3/64 (1,19)	.750 (19,05)	3/16 (4,76)	.500 (12,70)	.430 (10,92)
12SWS2543	SWS 2543	.779 (19,79)	.750 (19,05)	.095 (2,41)	.490 (12,45)	.189 (4,80)
12SWS2544	SWS 2544	1.00 (25,40)	.75 (19,05)	.095 (2,41)	.375 (9,53)	.265 (6,73)
12SWS2545	SWS 2545	.100 (2,54)	3/4 (19,05)	.086 (2,18)	.500 (12,70)	.250 (6,35)
12SWS2546	SWS 2546	.125 (3,18)	.750 (19,05)	.187 (4,75)	.500 (12,70)	.344 (8,74)
12SWS2547	SWS 2547	.250 (6,35)	.750 (19,05)	.062 (1,57)	.617 (15,67)	.509 (12,93)
12SWS2548	SWS 2548	.425 (10,80)	.750 (19,05)	1/16" (1,59)	.590 (14,99)	.375 (9,53)
12SWS2549	SWS 2549	.140 (3,56)	.750 (19,05)	.031 (0,79)	.708 (17,98)	.630 (16,00)
12SWS2550	SWS 2550	1/16 (1,59)	.734 (18,64)	1/8" (3,18)	.488 (12,40)	.250 (6,35)
12SWS2551	SWS 2551	3/64 (1,19)	.753 (19,12)	5/64 (1,98)	.409 (10,38)	.258 (6,55)
12SWS2552	SWS 2552	7/64 (2,77)	.743 (18,87)	3/32 (2,38)	.500 (12,70)	.375 (9,53)
12SWS2553	SWS 2553	5/16 (7,94)	.750 (19,05)	5/64 (1,98)	.500 (12,70)	.370 (9,39)
12SWS2554	SWS 2554	3/64 (1,19)	.735 (18,67)	3/16 (4,76)	.490 (12,45)	.435 (11,05)
12SWS2555	SWS 2555	.098 (2,49)	.747 (18,87)	.079 (2,01)	.482 (12,24)	.358 (9,09)
12SWS2556	SWS 2556	3/16 (4,76)	.750 (19,05)	1/16 (1,59)	.500 (12,70)	.375 (9,53)
12SWS2557	SWS 2557	23/64 (10,00)	.748 (18,99)	1/8 (3,18)	.507 (12,87)	.384 (9,75)
12SWS2558	SWS 2558	1/8 (3,18)	.750 (19,05)	1/16 (1,59)	.500 (12,70)	.375 (9,53)
12SWS2559	SWS 2559	.020 (0,51)	.750 (19,05)	.074 (1,88)	.495 (12,57)	.385 (9,78)
12SWS2560	SWS 2560	3/64 (1,19)	.750 (19,05)	1/32 (0,79)	.371 (9,42)	.253 (6,43)
12SWS2561	SWS 2561	27/64 (10,72)	.750 (19,05)	11/64 (4,37)	.434 (11,02)	.312 (7,93)
12SWS2562	SWS 2562	1/4 (3,38)	.755 (19,17)	5/64 (1,98)	.505 (12,83)	.378 (9,60)
12SWS2563	SWS 2563	3/32 (1,19)	.750 (19,05)	1/8 (3,18)	.375 (9,53)	.265 (6,73)
12SWS2564	SWS 2564	1/4 (6,35)	.750 (19,05)	1/16 (1,59)	.250 (6,35)	.150 (3,81)
12SWS2565	SWS 2565	.250 (6,35)	.750 (19,05)	.190 (4,83)	.500 (12,70)	.310 (7,87)
12SWS2566	SWS 2566	15/32 (11,90)	.740 (18,80)	5/32 (3,97)	.375 (9,53)	.250 (6,35)
12SWS2567	SWS 2567	.174 (4,42)	.750 (19,05)	.066 (1,68)	.625 (15,88)	.470 (11,94)
12SWS2568	SWS 2568	3/64 (1,19)	.750 (19,05)	1/32 (0,79)	.341 (8,66)	.253 (6,43)
12SWS2569	SWS 2569	.420 (10,67)	.550 (13,97)	.172 (4,37)	.436 (11,07)	.307 (7,80)
12SWS2570	SWS 2570	11/16 (17,46)	.740 (18,80)	9/64 (3,58)	.385 (9,78)	.260 (6,60)
12SWS2571	SWS 2571	.320 (8,13)	.750 (19,05)	.030 (0,76)	.580 (14,73)	.517 (13,13)
12SWS2572	SWS 2572	1/2 (12,70)	.750 (19,05)	1/16 (1,59)	.375 (9,53)	.125 (3,18)
12SWS2573	SWS 2573	.125 (3,18)	.750 (19,05)	.093 (2,36)	.375 (9,53)	.172 (4,37)
12SWS2574	SWS 2574	.360 (9,14)	.750 (19,05)	.062 (1,57)	.506 (12,85)	.380 (9,65)
12SWS2575	SWS 2575	51/64 (20,24)	.750 (19,06)	3/32 (2,38)	.320 (8,12)	.190 (4,83)
12SWS2576	SWS 2576	1/32 (0,76)	.750 (19,05)	1/32 (0,79)	.500 (12,70)	.219 (5,56)
12SWS2577	SWS 2577	.250 (6,35)	.750 (19,05)	.065 (1,65)	.320 (8,13)	.170 (4,32)
12SWS2578	SWS 2578	3/16 (4,76)	.750 (19,06)	1/16 (1,59)	.628 (15,95)	.510 (12,95)



WASHERS, SHOULDER WASHERS & SCREW INSULATORS

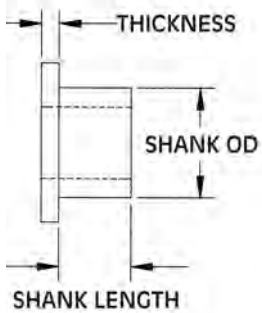
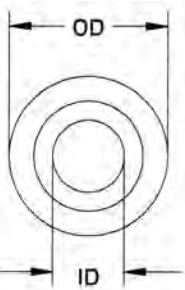
SECTION IV

SHOULDER WASHERS

Molded in **Natural Nylon 6/6**

Nylon Shoulder Washers are suitable for a large variety of insulation and mechanical applications.

- THEY INSULATE ► REDUCE VIBRATION ► ACT AS SPACERS AND GUIDES ► STRONG AND CORROSION RESISTANT ► CAN BE USED AS SEAL IN SOME APPLICATIONS



ITEM NUMBER	DESCRIPTION	SHANK LENGTH		OD	THICKNESS	SHANK OD	ID
12SWS2579	SWS 2579	.180	(4,57)	.750 (19,05)	.240 (6,10)	.500 (12,70)	.370 (9,40)
12SWS2580	SWS 2580	5/16	(7,94)	.745 (18,92)	1/32 (0,79)	.563 (14,30)	.500 (12,70)
12SWS2581	SWS 2581	1/4	(6,35)	.750 (19,05)	5/64 (1,98)	.505 (12,83)	.315 (8,00)
12SWS2582	SWS 2582	.250	(6,35)	.625 (15,88)	.062 (1,59)	1/2 (12,70)	.312 (7,94)
12SWS2583	SWS 2583	.085	(2,16)	.510 (12,95)	.060 (1,52)	.315 (8,00)	.175 (4,45)
12SWS2584	SWS 2584	.050	(1,27)	.735 (18,67)	.050 (1,27)	.710 (18,03)	.640 (16,26)
12SWS2585	SWS 2585	1/4	(6,35)	.740 (18,80)	1/2 (12,70)	.605 (15,37)	.380 (9,65)
12SWS2586	SWS 2586	1/4	(6,35)	.750 (19,05)	1/8 (3,18)	.500 (12,70)	.281 (7,14)
12SWS2587	SWS 2587	7/16	(11,11)	3/4 (19,05)	1/16 (1,59)	5/8 (15,88)	1/2 (12,70)
12SWS2588	SWS 2588	.196	(4,98)	.752 (19,10)	.058 (1,47)	.476 (12,09)	.378 (9,60)
12SWS2589	SWS 2589	.057	(1,45)	.877 (22,28)	.135 (3,43)	.565 (14,35)	.504 (12,80)
12SWS2590	SWS 2590	.018	(0,46)	.745 (18,92)	.085 (2,16)	.305 (7,75)	.200 (5,08)
12SWS2591	SWS 2591	.050	(1,27)	.875 (22,23)	.031 (0,79)	.580 (14,73)	.520 (13,21)
12SWS2592	SWS 2592	.118	(2,99)	1.008 (25,60)	.079 (2,00)	.583 (14,80)	.476 (12,09)
12SWS2593	SWS 2593	.080	(2,03)	.701 (17,80)	.058 (1,47)	.426 (10,82)	.152 (3,86)
12SWS2594	SWS 2594	.312	(7,92)	.750 (19,05)	.066 (1,67)	.375 (9,52)	.312 (7,92)
12SWS2595	SWS 2595	.216	(5,48)	.750 (19,05)	.125 (3,17)	.498 (12,64)	.381 (9,67)
12SWS2596	SWS 2596	.062	(1,57)	.675 (17,14)	.098 (2,48)	.479 (12,16)	.315 (8,00)
12SWS3001	SWS 3001	1/8	(3,18)	.693 (17,60)	1/16 (1,59)	.437 (11,10)	.328 (8,33)
12SWS3002	SWS 3002	3/64	(1,19)	.750 (19,05)	3/64 (1,19)	.375 (9,53)	.323 (8,20)
12SWS3003	SWS 3003	7/32	(5,55)	.750 (19,05)	3/32 (2,38)	.380 (9,65)	.266 (6,76)
12SWS3004	SWS 3004	1/16	(1,59)	.750 (19,05)	3/32 (2,38)	.359 (9,12)	.152 (3,86)
12SWS3005	SWS 3005	5/32	(3,97)	.750 (19,05)	1/32 (0,79)	.498 (12,64)	.378 (9,60)
12SWS3006	SWS 3006	1/32	(0,79)	.750 (19,05)	1/8 (3,18)	.500 (12,70)	.375 (9,53)
12SWS3007	SWS 3007	1/16	(1,59)	.750 (19,05)	1/8 (3,18)	.500 (12,70)	.375 (9,53)
12SWS3008	SWS 3008	1/16	(1,59)	.745 (18,92)	1/32 (0,79)	.370 (9,40)	.320 (8,13)
12SWS3009	SWS 3009	3/64	(1,19)	.760 (19,30)	5/64 (1,98)	.410 (10,41)	.258 (6,55)
12SWS3010	SWS 3010	.027	(0,68)	.750 (19,05)	.031 (0,79)	.310 (7,87)	.257 (6,53)
12SWS3011	SWS 3011	.196	(4,98)	.763 (19,38)	.026 (0,66)	.562 (14,27)	.394 (10,01)
12SWS3012	SWS 3012	.395	(10,03)	.740 (18,80)	.065 (1,65)	.430 (10,92)	.322 (8,18)
12SWS3013	SWS 3013	.106	(2,69)	.545 (13,84)	.148 (3,76)	.416 (10,57)	.255 (6,48)
12SWS3014	SWS 3014	.060	(1,52)	.680 (17,27)	.060 (1,52)	.495 (12,57)	.390 (9,91)
12SWS3015	SWS 3015	1.005	(25,53)	.752 (19,10)	.060 (1,52)	.505 (12,83)	.320 (8,13)
12SWS3016	SWS 3016	.050	(1,27)	.745 (18,82)	1/16 (1,59)	.556 (14,12)	.515 (13,08)
12SWS3017	SWS 3017	5/32	(3,97)	.755 (19,18)	1/2 (12,70)	.510 (12,95)	.385 (9,78)
12SWS3018	SWS 3018	.060	(1,52)	1.060 (26,96)	.060 (1,52)	.515 (13,08)	.395 (10,03)
12SWS3019	SWS 3019	.155	(3,93)	.750 (19,05)	.075 (1,90)	.527 (13,38)	.408 (10,36)
12SWS3020	SWS 3020	.305	(7,75)	.740 (18,80)	.130 (3,30)	.495 (12,57)	.219 (5,56)
12SWS3021	SWS 3021	.440	(11,18)	.745 (18,92)	1/16 (1,59)	.495 (12,57)	.390 (9,91)
12SWS3022	SWS 3022	.188	(4,78)	.750 (19,05)	.092 (2,34)	.627 (15,93)	.506 (12,85)
12SWS3023	SWS 3023	.216	(5,49)	.765 (19,43)	.126 (3,20)	.481 (12,22)	.250 (6,35)
12SWS3024	SWS 3024	.240	(6,10)	.750 (19,05)	.070 (1,78)	.490 (12,45)	.375 (9,52)
12SWS3025	SWS 3025	5/16	(7,92)	3/4 (19,05)	.062 (1,59)	.625 (15,88)	.505 (12,83)
12SWS3026	SWS 3026	.125	(3,18)	1.000 (25,4)	.125 (3,18)	.625 (15,88)	.515 (13,08)
12SWS3027	SWS 3027	.709	(18,01)	1.102 (27,99)	.118 (3,00)	.709 (18,01)	.551 (14,00)
12SWS3028	SWS 3028	.250	(6,35)	1.188 (30,17)	.031 (0,79)	.625 (15,88)	.563 (14,30)
12SWS3029	SWS 3029	.058	(1,47)	.788 (20,02)	.058 (1,47)	.710 (18,03)	.639 (16,23)
12SWS3030	SWS 3030	.252	(6,40)	.780 (19,81)	.079 (2,01)	.392 (9,96)	.250 (6,35)
12SWS3031	SWS 3031	.110	(2,79)	.810 (20,57)	.130 (3,30)	.498 (12,65)	.388 (9,86)



WASHERS, SHOULDER WASHERS & SCREW INSULATORS

SECTION
IV

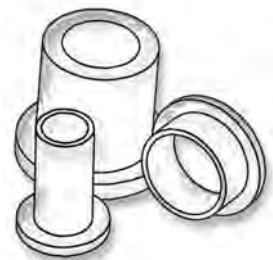
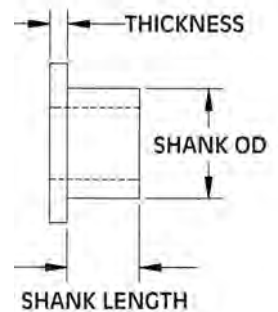
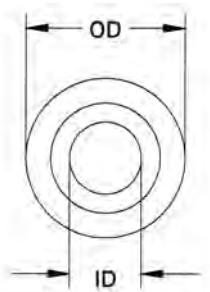
SHOULDER WASHERS

Molded in **Natural Nylon 6/6**

Nylon Shoulder Washers are suitable for a large variety of insulation and mechanical applications.

► THEY INSULATE ► REDUCE VIBRATION ► ACT AS SPACERS AND GUIDES ► STRONG AND CORROSION RESISTANT ► CAN BE USED AS SEAL IN SOME APPLICATIONS

ITEM NUMBER	DESCRIPTION	SHANK LENGTH	OD	THICKNESS	SHANK OD	ID
12SWS3032	SWS 3032	.108 (2,74)	.805 (20,45)	.132 (3,35)	.502 (12,75)	.324 (8,23)
12SWS3033	SWS 3033	.582 (14,78)	.880 (22,35)	.153 (3,89)	.495 (12,57)	.322 (8,18)
12SWS3034	SWS 3034	.050 (1,27)	.750 (19,05)	.031 (0,78)	.498 (12,64)	.378 (9,60)
12SWS3035	SWS 3035	.440 (11,17)	.625 (15,88)	.060 (1,52)	.500 (12,70)	.375 (9,53)
12SWS3036	SWS 3036	.031 (0,79)	1.000 (25,40)	.062 (1,57)	.500 (12,70)	.375 (9,53)
12SWS3037	SWS 3037	.038 (0,96)	1.445 (36,70)	.060 (1,52)	.500 (12,70)	.387 (9,82)
12SWS3038	SWS 3038	.500 (12,70)	1.000 (25,40)	.125 (3,17)	.500 (12,70)	.375 (9,52)
12SWS3039	SWS 3039	.191 (4,85)	.887 (22,52)	.067 (1,70)	.629 (15,97)	.507 (12,87)
12SWS3040	SWS 3040	.125 (3,17)	.625 (15,87)	.063 (1,60)	.313 (7,95)	.200 (5,08)
12SWS3041	SWS 3041	.250 (6,35)	.625 (15,87)	.063 (1,60)	.313 (7,95)	.240 (6,09)
12SWS3042	SWS 3042	.125 (3,17)	.625 (15,87)	.063 (1,60)	.313 (7,95)	.240 (6,09)
12SWS3100	SWS 3100	.325 (8,26)	.825 (20,96)	.060 (1,52)	.435 (11,05)	.310 (7,87)
12SWS3101	SWS 3101	1/32 (0,79)	.750 (19,05)	1/16 (1,59)	.375 (9,53)	.260 (6,60)
12SWS3102	SWS 3102	1/2 (12,70)	.825 (20,96)	1/16 (1,59)	.620 (15,75)	.520 (13,21)
12SWS3103	SWS 3103	1/2 (12,70)	.872 (22,14)	1/8 (3,18)	.617 (15,67)	.335 (8,51)
12SWS3104	SWS 3104	.125 (3,18)	.750 (19,05)	.075 (1,91)	.437 (11,10)	.265 (6,73)
12SWS3105	SWS 3105	.190 (4,83)	.825 (20,96)	.060 (1,52)	.435 (11,05)	.310 (7,87)
12SWS3106	SWS 3106	.204 (5,18)	.875 (22,23)	.062 (1,57)	.626 (15,90)	.379 (9,63)
12SWS3107	SWS 3107	.180 (4,57)	.740 (18,80)	.090 (2,29)	.435 (11,05)	.318 (8,08)
12SWS3108	SWS 3108	.354 (8,99)	.740 (18,80)	.090 (2,29)	.435 (11,05)	.312 (7,92)
12SWS3109	SWS 3109	.110 (2,79)	.750 (19,05)	.075 (1,90)	.437 (11,09)	.265 (6,73)
12SWS3149	SWS 3149	.455 (11,56)	.865 (21,97)	.045 (1,14)	.600 (15,24)	.510 (12,95)
12SWS3150	SWS 3150	1 (25,40)	.875 (22,23)	1/16 (1,59)	.500 (12,70)	.375 (9,53)
12SWS3151	SWS 3151	3/8 (9,53)	7/8 (22,22)	1/8 (3,17)	.633 (16,08)	.510 (12,95)
12SWS3152	SWS 3152	.375 (9,52)	.875 (22,22)	.125 (3,17)	.630 (16,00)	.320 (8,12)
12SWS3153	SWS 3153	.250 (6,35)	1.000 (25,40)	.125 (3,17)	.625 (15,87)	.500 (12,70)
12SWS3154	SWS 3154	.375 (9,53)	.875 (22,23)	.125 (3,18)	.620 (15,75)	.380 (9,65)
12SWS3155	SWS 3155	3/8 (9,53)	.875 (22,23)	1/8 (3,18)	.630 (16,00)	.440 (11,18)
12SWS3156	SWS 3156	.689 (17,50)	.874 (22,20)	.063 (1,60)	.634 (16,10)	.507 (12,88)
12SWS3157	SWS 3157	.500 (12,70)	.750 (19,05)	.094 (2,38)	.625 (15,87)	.380 (9,65)
12SWS3160	SWS 3160	1/2 (12,70)	.875 (22,23)	1/16 (1,59)	.750 (19,05)	.635 (16,13)
12SWS3161	SWS 3161	.335 (8,51)	.875 (22,23)	.040 (1,02)	.688 (17,48)	.569 (14,45)
12SWS3162	SWS 3162	.125 (3,17)	1.000 (25,40)	.032 (0,81)	.687 (17,44)	.500 (12,70)
12SWS3163	SWS 3163	.511 (12,97)	.940 (23,87)	.102 (2,59)	.696 (17,67)	.476 (12,09)
12SWS3164	SWS 3164	.438 (11,12)	.885 (22,47)	.062 (1,57)	.628 (15,95)	.506 (12,85)
12SWS3165	SWS 3165	3/8 (9,53)	.875 (22,23)	1/8 (3,18)	.620 (15,75)	.250 (6,35)
12SWS3166	SWS 3166	.380 (9,65)	.882 (22,40)	.125 (3,17)	.619 (15,72)	.270 (6,85)
12SWS3167	SWS 3167	.250 (6,35)	.750 (19,05)	.062 (1,57)	.617 (15,67)	.520 (13,20)
12SWS3168	SWS 3168	.275 (6,98)	.954 (24,23)	.106 (2,69)	.695 (17,95)	.488 (12,39)
12SWS3200	SWS 3200	3/16 (4,76)	.995 (25,27)	1/8 (3,18)	.792 (20,12)	.695 (17,65)
12SWS3205	SWS 3205	5/8 (15,88)	.995 (25,27)	1/8 (3,18)	.787 (19,99)	.695 (17,65)
12SWS3206	SWS 3206	.200 (5,08)	1.000 (25,40)	.050 (1,27)	.780 (19,81)	.640 (16,26)
12SWS3210	SWS 3210	1 (25,40)	.995 (25,27)	1/8 (3,18)	.787 (19,99)	.695 (17,65)
12SWS3500	SWS 3500	3/16 (4,76)	.750 (19,05)	1/16 (1,59)	.498 (12,64)	.378 (9,60)
12SWS3501	SWS 3501	7/64 (2,77)	.750 (19,05)	3/32 (2,38)	.577 (14,66)	.390 (9,91)
12SWS3502	SWS 3502	27/64 (10,72)	.790 (20,07)	3/64 (1,19)	.625 (15,88)	.550 (13,97)
12SWS3503	SWS 3503	13/16 (20,64)	.625 (15,88)	1/8 (3,18)	.375 (9,53)	.255 (6,47)
12SWS3504	SWS 3504	13/16 (20,64)	.625 (15,88)	1/8 (3,18)	.375 (9,53)	.260 (6,60)
12SWS3505	SWS 3505	.100 (2,54)	.800 (20,32)	.055 (1,40)	.655 (16,64)	.563 (14,30)



WASHERS, SHOULDER WASHERS & SCREW INSULATORS

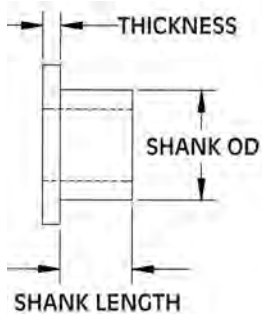
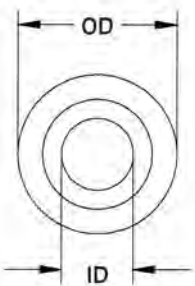
SECTION IV

SHOULDER WASHERS

Molded in **Natural Nylon 6/6**

Nylon Shoulder Washers are suitable for a large variety of insulation and mechanical applications.

▶ THEY INSULATE ▶ REDUCE VIBRATION ▶ ACT AS SPACERS AND GUIDES ▶ STRONG AND CORROSION RESISTANT ▶ CAN BE USED AS SEAL IN SOME APPLICATIONS



ITEM NUMBER	DESCRIPTION	SHANK LENGTH		OD	THICKNESS		SHANK OD		ID		
12SWS3506	SWS 3506	.263	(6,68)	.760	(19,30)	.127	(3,23)	.370	(9,40)	.267	(6,78)
12SWS3507	SWS 3507	.250	(6,35)	.830	(21,08)	.100	(2,54)	.452	(11,18)	.253	(6,43)
12SWS3508	SWS 3508	7/16	(11,10)	.556	(14,12)	.060	(1,52)	.453	(11,51)	.377	(9,58)
12SWS3509	SWS 3509	.050	(1,27)	.775	(19,69)	.150	(3,81)	.580	(14,73)	.485	(12,32)
12SWS3510	SWS 3510	13/32	(10,32)	.825	(20,96)	3/32	(2,38)	.445	(11,30)	.306	(7,77)
12SWS3511	SWS 3511	13/64	(5,16)	.880	(22,35)	3/64	(1,19)	.750	(19,05)	.617	(15,67)
12SWS3512	SWS 3512	.935	(23,75)	.872	(22,15)	.110	(2,79)	.497	(12,62)	.385	(9,78)
12SWS3513	SWS 3513	.250	(6,35)	.875	(22,22)	.125	(3,17)	.617	(15,67)	.335	(8,51)
12SWS3514	SWS 3514	3/8	(9,53)	7/8	(22,23)	1/16	(1,57)	31/64	(12,29)	.386	(9,80)
12SWS3515	SWS 3515	3/8	(9,53)	7/8	(22,23)	1/16	(1,57)	17/32	(13,49)	.438	(11,13)
12SWS3516	SWS 3516	.406	(10,31)	.825	(20,96)	.094	(2,39)	.440	(11,18)	.311	(7,90)
12SWS3517	SWS 3517	.035	(0,89)	.625	(15,88)	.045	(1,14)	.533	(14,05)	.430	(10,92)
12SWS3518	SWS 3518	.110	(2,79)	.750	(19,05)	.075	(1,90)	.437	(11,09)	.380	(9,65)
12SWS3519	SWS 3519	.100	(2,54)	.996	(25,29)	.102	(2,59)	.645	(16,38)	.436	(11,07)
12SWS3520	SWS 3520	17/32	(13,49)	.945	(24,03)	5/64	(1,98)	.470	(11,93)	.406	(10,31)
12SWS3521	SWS 3521	.060	(1,52)	.940	(23,88)	.090	(2,29)	.560	(14,22)	.257	(6,53)
12SWS3562	SWS 3562	1/4	(6,35)	.980	(24,89)	1/8	(3,18)	.556	(14,12)	.380	(9,65)
12SWS3563	SWS 3563	.080	(2,03)	1.000	(25,40)	.125	(3,18)	.306	(7,77)	.205	(5,21)
12SWS3564	SWS 3564	.250	(6,35)	.980	(24,89)	.125	(3,18)	.546	(13,87)	.406	(10,31)
12SWS3565	SWS 3565	.618	(15,70)	.984	(24,99)	.059	(1,50)	.547	(13,89)	.398	(10,11)
12SWS3580	SWS 3580	9/16	(14,29)	1 1/4	(31,75)	3/64	(1,19)	1.00	(25,40)	.559	(14,20)
12SWS3582	SWS 3582	.688	(17,48)	1.250	(31,75)	.062	(1,57)	1.000	(25,40)	.875	(22,23)
12SWS3588	SWS 3588	.281	(7,14)	1.105	(28,07)	.125	(3,18)	.740	(18,80)	.525	(13,34)
12SWS3589	SWS 3589	.619	(15,72)	.995	(25,27)	.125	(3,18)	.740	(18,80)	.504	(12,80)
12SWS3593	SWS 3593	.340	(8,63)	1.250	(31,75)	.120	(3,04)	.750	(19,05)	.530	(13,46)
12SWS3594	SWS 3594	.125	(3,18)	.875	(22,23)	.062	(1,57)	.750	(19,05)	.566	(14,38)
12SWS3595	SWS 3595	.250	(6,35)	.875	(22,23)	.063	(1,60)	.750	(19,05)	.562	(14,29)
12SWS3596	SWS 3596	.500	(12,70)	1.000	(25,40)	.130	(3,30)	.619	(15,72)	.410	(10,41)
12SWS3597	SWS 3597	.130	(3,30)	1.000	(25,40)	.060	(1,52)	.750	(19,05)	.530	(13,46)
12SWS3598	SWS 3598	.200	(5,08)	1.000	(25,40)	.050	(1,27)	.750	(19,05)	.630	(16,00)
12SWS3599	SWS 3599	5/8	(15,88)	1"	(25,40)	1/8	(3,18)	.666	(16,92)	.520	(13,21)
12SWS3600	SWS 3600	.660	(16,76)	1.010	(25,65)	.160	(4,06)	.600	(15,24)	.260	(6,60)
12SWS3601	SWS 3601	3/16	(4,76)	1.000	(25,40)	1/4	(6,35)	.435	(11,05)	.325	(8,26)
12SWS3602	SWS 3602	1/32	(0,79)	1.000	(25,40)	3/32	(2,38)	.616	(15,65)	.515	(13,08)
12SWS3603	SWS 3603	.050	(1,27)	1.005	(25,53)	.070	(1,78)	.500	(12,70)	.453	(11,51)
12SWS3604	SWS 3604	.243	(6,17)	1.006	(25,55)	.078	(1,98)	.504	(12,80)	.376	(9,55)
12SWS3605	SWS 3605	5/16	(7,94)	1.005	(25,53)	1/16	(1,59)	.500	(12,70)	.375	(9,53)
12SWS3606	SWS 3606	.33	(8,38)	1.00	(25,40)	.04	(1,02)	.625	(15,87)	.515	(13,08)
12SWS3607	SWS 3607	.521	(13,23)	1.068	(27,13)	.062	(1,57)	.896	(22,76)	.630	(16,00)
12SWS3608	SWS 3608	.500	(12,70)	1.000	(25,40)	.125	(3,18)	.687	(17,45)	.510	(12,95)
12SWS3609	SWS 3609	.120	(3,05)	1.000	(25,40)	.130	(3,30)	.745	(18,92)	.645	(16,38)
12SWS3610	SWS 3610	9/16	(14,29)	1.000	(25,40)	1/16	(1,59)	.500	(12,70)	.382	(9,70)
12SWS3612	SWS 3612	.085	(2,16)	1.000	(25,40)	.075	(1,91)	.562	(14,27)	.190	(4,83)
12SWS3613	SWS 3613	.080	(2,03)	1.000	(25,40)	.090	(2,29)	.740	(18,80)	.219	(5,56)
12SWS3614	SWS 3614	.050	(1,27)	1.937	(49,20)	.050	(1,27)	.500	(12,70)	.453	(11,51)
12SWS3615	SWS 3615	3/4	(19,05)	1.000	(25,40)	1/8	(3,18)	.500	(12,70)	3/8	(9,53)
12SWS3616	SWS 3616	.406	(10,31)	.980	(24,89)	.150	(3,81)	.895	(22,73)	.812	(20,62)
12SWS3617	SWS 3617	.437	(11,10)	1.000	(25,40)	.125	(3,18)	.688	(17,47)	.508	(12,90)
12SWS3618	SWS 3618	.125	(3,17)	1.000	(25,40)	.125	(3,17)	.625	(15,87)	.406	(10,31)



WASHERS, SHOULDER WASHERS & SCREW INSULATORS

SHOULDER WASHERS

Molded in **Natural Nylon 6/6**

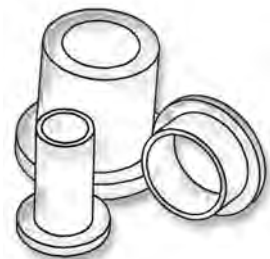
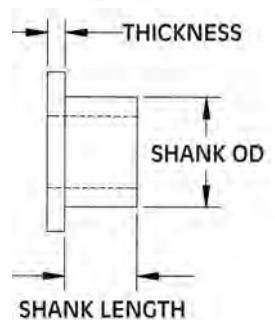
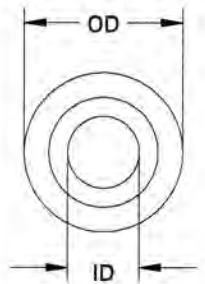
SECTION
IV

Nylon Shoulder Washers are suitable for a large variety of insulation and mechanical applications.

► THEY INSULATE ► REDUCE VIBRATION ► ACT AS SPACERS AND GUIDES ► STRONG AND CORROSION RESISTANT ► CAN BE USED AS SEAL IN SOME APPLICATIONS

ITEM NUMBER	DESCRIPTION	SHANK LENGTH		OD	THICKNESS		SHANK OD		ID
12SWS3650	SWS 3650	7/64	(2,77)	1.000 (25,40)	5/64	(1,98)	.770	(19,56)	.508 (12,90)
12SWS3680	SWS 3680	1/16	(1,59)	1.000 (25,40)	1/16	(1,59)	.298	(7,57)	.203 (5,16)
12SWS3681	SWS 3681	.100	(2,54)	1.230 (31,24)	.060	(1,52)	.725	(18,41)	.585 (14,85)
12SWS3682	SWS 3682	1.190	(30,22)	1.060 (26,92)	.060	(1,52)	.880	(22,35)	.750 (19,05)
12SWS3683	SWS 3683	.500	(12,70)	.622 (15,79)	.062	(1,57)	.443	(11,25)	.328 (8,33)
12SWS3684	SWS 3684	.100	(2,54)	1.250 (31,75)	.212	(5,38)	.940	(23,88)	.340 (8,64)
12SWS3685	SWS 3685	1/16	(1,59)	1.064 (27,02)	1/16	(1,59)	.787	(19,99)	.612 (15,54)
12SWS3686	SWS 3686	9/32	(7,14)	1.105 (28,07)	.095	(2,41)	.718	(18,24)	.515 (13,08)
12SWS3687	SWS 3687	.118	(3,00)	1.102 (27,99)	.039	(0,99)	.906	(23,01)	.827 (21,01)
12SWS3688	SWS 3688	.313	(7,95)	1.130 (28,70)	.062	(1,57)	.880	(22,35)	.750 (19,05)
12SWS3689	SWS 3689	.313	(7,95)	1.130 (28,70)	.062	(1,57)	.880	(22,35)	.758 (19,25)
12SWS3690	SWS 3690	7/16	(11,11)	1.125 (28,58)	3/32	(2,38)	.700	(17,78)	.510 (12,95)
12SWS3691	SWS 3691	.060	(1,52)	1.160 (29,46)	.128	(3,25)	.495	(12,57)	.377 (9,58)
12SWS3693	SWS 3693	.422	(10,72)	1.250 (31,75)	.156	(3,96)	1.002	(25,45)	.818 (20,78)
12SWS3694	SWS 3694	.250	(6,35)	1.125 (28,58)	.187	(4,75)	.718	(18,24)	.515 (13,08)
12SWS3695	SWS 3695	.125	(3,18)	1.250 (31,75)	.045	(1,14)	.480	(12,19)	.380 (9,65)
12SWS3696	SWS 3696	.100	(2,54)	1.250 (31,75)	.150	(3,81)	1.000	(25,40)	.340 (8,64)
12SWS3697	SWS 3697	.100	(2,54)	1.250 (31,75)	.212	(5,38)	1.000	(25,40)	.340 (8,64)
12SWS3698	SWS 3698	.220	(5,59)	1.500 (38,10)	.120	(3,05)	1.000	(25,40)	.810 (20,57)
12SWS3699	SWS 3699	.118	(3,00)	1.181 (30,00)	.079	(2,01)	.374	(9,50)	.197 (5,00)
12SWS3998	SWS 3998	.250	(6,35)	1.248 (31,70)	.130	(3,30)	.875	(22,23)	.627 (15,93)
12SWS3999	SWS 3999	.485	(12,32)	1.250 (31,75)	.130	(3,30)	.875	(22,23)	.480 (12,19)
12SWS4000	SWS 4000	7/16	(11,10)	1 3/16 (30,15)	1/16	(1,59)	1	(25,40)	.766 (19,46)
12SWS4001	SWS 4001	3/32	(2,38)	1.125 (28,58)	1/16	(1,59)	.740	(18,80)	.515 (13,08)
12SWS4002	SWS 4002	3/32	(2,38)	1.235 (31,36)	1/16	(1,59)	.984	(24,99)	.510 (12,95)
12SWS4003	SWS 4003	9/32	(7,14)	1.105 (28,07)	1/8	(3,18)	.752	(19,10)	.515 (13,08)
12SWS4004	SWS 4004	1/2	(12,70)	1.245 (31,69)	1/8	(3,18)	.875	(22,23)	.627 (15,92)
12SWS4005	SWS 4005	13/32	(10,32)	1.252 (31,80)	1/16	(1,59)	.600	(15,24)	.538 (13,66)
12SWS4006	SWS 4006	13/32	(10,32)	1.251 (31,77)	1/16	(1,59)	.528	(13,41)	.471 (11,96)
12SWS4007	SWS 4007	13/64	(5,16)	1.739 (44,17)	13/64	(5,16)	1.095	(27,81)	.435 (11,04)
12SWS4008	SWS 4008	11/32	(8,71)	1.250 (31,75)	5/32	(3,97)	.995	(25,27)	.885 (22,48)
12SWS4009	SWS 4009	3/4	(19,05)	1 1/8 (28,57)	1/16	(1,59)	7/16	(11,11)	5/16 (7,94)
12SWS4010	SWS 4010	3/32	(2,38)	1.250 (31,75)	1/16	(1,59)	.930	(23,62)	.562 (14,27)
12SWS4011	SWS 4011	.094	(2,39)	1.250 (31,75)	.062	(1,57)	.989	(25,12)	.562 (14,27)
12SWS4012	SWS 4012	.060	(1,52)	1.650 (41,91)	.060	(1,52)	1.380	(35,05)	1.125 (28,58)
12SWS4013	SWS 4013	5/8	(15,88)	1-3/4 (44,45)	1/8	(3,18)	1-3/8 (34,93)		1.015 (25,78)
12SWS4014	SWS 4014	.238	(6,04)	1.501 (38,12)	.133	(3,38)	1.248	(31,70)	.942 (23,92)
12SWS4016	SWS 4016	.100	(2,54)	1.250 (31,75)	.250	(6,35)	.419	(10,64)	.254 (6,45)
12SWS4017	SWS 4017	.170	(4,32)	1.570 (39,88)	.175	(4,45)	1.055	(26,80)	.887 (22,53)
12SWS4018	SWS 4018	.250	(6,35)	1.500 (38,10)	.120	(3,05)	.615	(15,62)	.265 (6,73)
12SWS4019	SWS 4019	.309	(7,85)	1.365 (34,67)	.128	(3,25)	1.120	(28,45)	.870 (22,10)
12SWS4020	SWS 4020	5/16	(7,92)	2 21/64 (59,13)	1/8	(3,18)	.968	(24,59)	.770 (19,56)
12SWS4021	SWS 4021	.138	(3,51)	1.929 (49,00)	.079	(2,01)	1.063	(27,00)	.906 (23,01)
12SWS4022	SWS 4022	.313	(7,95)	1.500 (38,10)	.125	(3,18)	1.365	(34,67)	1.000 (25,40)
12SWS5000	SWS 5000	5/8	(15,88)	1.952 (49,58)	.125	(3,18)	31/64	(12,29)	.380 (9,65)
12SWS5001	SWS 5001	1/2	(12,70)	2.065 (52,45)	1/8	(3,18)	1.050	(26,67)	.806 (20,42)
12SWS5002	SWS 5002	.500	(12,70)	2.065 (52,45)	.125	(3,18)	1.050	(26,67)	.783 (19,89)
12SWS5003	SWS 5003	.305	(7,75)	1.989 (50,52)	.129	(3,28)	1.743	(44,27)	1.326 (33,68)
12SWS5009	SWS 5009	45/64	(17,85)	2.111 (53,62)	1/8	(3,18)	.603	(15,31)	.270 (6,85)
12SWS5050	SWS 5050	1/2	(12,70)	1.525 (38,74)	1/16	(1,57)	3/4	(19,05)	.645 (16,38)

**New
SIZES**



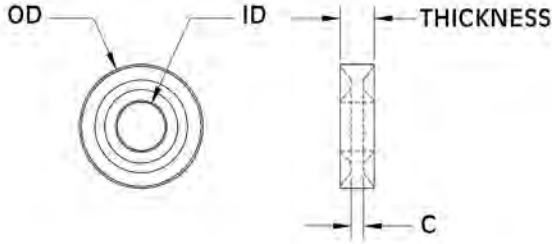
WASHERS, SHOULDER WASHERS & SCREW INSULATORS

SECTION IV

SEALING AND RETAINING RINGS WASHERS

Molded in **Natural Nylon 6/6**

These nylon washers are designed to prevent the loss of screws and bolts and to protect surfaces. The washer allows preliminary mounting of the bolt before securing with a nut. The tapered part of the washer provides locking to the screwed assembly. The tapered part of the washer cold forms and fully enters the pitch of the screw to provide sealing. The tapered part is a smaller diameter than the screw and is used to retain the screw before assembly. Compares to "Dubo" washers.

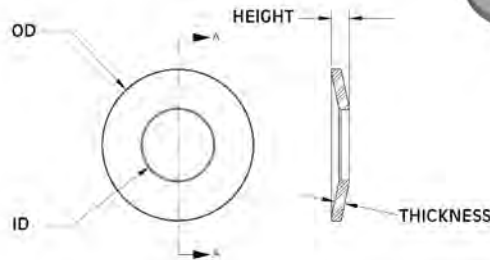


ITEM NUMBER	FITS SCREW	OD	ID	THICKNESS	C Ref.
16SRRW004209083	4	.321 (8,15)	.125 (3,20)	.088 (2,24)	.032 (0,81)
16SRRW006354150	6	.363 (9,22)	.154 (3,91)	.095 (2,41)	.037 (0,94)
16SRRW008374163	8	.380 (9,65)	.161 (4,09)	.103 (2,62)	.039 (0,99)
16SRRW010421200	10	.421 (10,69)	.200 (5,08)	.120 (3,05)	.060 (1,52)
16SRRW025500242	1/4	.500 (12,70)	.242 (6,15)	.139 (3,53)	.070 (1,78)
16SRRW025500256	1/4	.505 (12,82)	.256 (6,50)	.139 (3,53)	.070 (1,77)
16SRRW031637318	5/16	.640 (16,26)	.318 (8,08)	.158 (4,01)	.060 (1,52)
16SRRW037771381	3/8	.775 (19,70)	.381 (9,68)	.177 (4,50)	.070 (1,78)
16SRRW050100504	1/2	1.000 (25,40)	.504 (12,80)	.197 (5,00)	.079 (2,01)

SPRING WASHERS

Molded in **Natural Acetal**

Spring washers are molded in acetal material that has excellent spring properties, is light weight and inexpensive. The material is electrical and thermal insulating and corrosion resistant. Acetal lubricity allows use in rotating assemblies as well as underwater applications. Spring washers are used to eliminate rattles, take up tolerance variables and provide accurate spacing and tension. May be used singly in parallel, in series or in series parallel for a wide range of deflection and load capacity.



ITEM NUMBER	SCREW SIZE		OD	ID	HEIGHT	THICKNESS	MAX. REF. COMPRESSED OD	
	INCH	METRIC						
17SPRINGW100	6	M3.5	.316 (8,03)	.152 (3,86)	.045 (1,14)	.027 (0,69)	.330 (8,38)	
17SPRINGW200	8	M4	.297 (7,54)	.173 (4,39)	.046 (1,17)	.028 (0,79)	.310 (7,87)	
17SPRINGW300	10	M5	.365 (9,27)	.204 (5,18)	.053 (1,35)	.030 (0,76)	.372 (9,45)	
17SPRINGW320	10	M5	.416 (10,57)	.235 (5,97)	.062 (1,57)	.035 (0,89)	.430 (10,92)	
17SPRINGW360	1/4	M6	.448 (11,37)	.276 (7,01)	.062 (1,57)	.035 (0,89)	.485 (12,31)	
17SPRINGW400	1/4	M6	.564 (14,33)	.264 (6,71)	.066 (1,68)	.038 (0,97)	.579 (14,71)	
17SPRINGW500	5/16	M8	.660 (16,76)	.328 (8,33)	.080 (2,03)	.048 (1,22)	.680 (17,27)	
17SPRINGW600	3/8	M10	.848 (21,54)	.451 (11,46)	.095 (2,41)	.055 (1,40)	.865 (21,97)	
17SPRINGW650	3/8	M10	.848 (21,54)	.451 (11,46)	.080 (2,03)	.039 (0,99)	.865 (21,97)	

WASHERS, SHOULDER WASHERS & SCREW INSULATORS

SECTION
IV

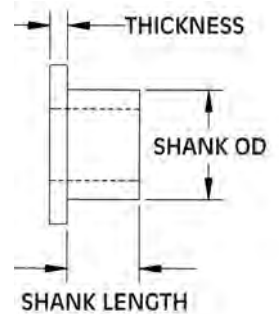
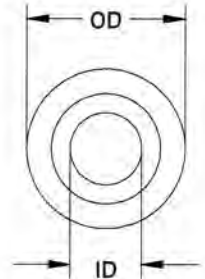
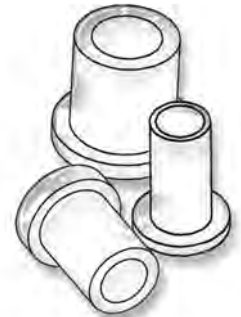
SCREW INSULATORS

Molded in **Natural Nylon 6/6**

ITEM NUMBER	SCREW SIZE	SHANK LENGTH	OD	THICKNESS	SHANK OD	ID
10SC002012	2	1/8 (3,18)	.181 (4,60)	3/64 (1,19)	.120 (3,05)	.090 (2,29)
10SC002018	2	3/16 (4,76)	.181 (4,60)	3/64 (1,19)	.120 (3,05)	.090 (2,29)
10SC002025	2	1/4 (6,35)	.181 (4,60)	3/64 (1,19)	.120 (3,05)	.090 (2,29)
10SC002037	2	3/8 (9,53)	.181 (4,60)	3/64 (1,19)	.120 (3,05)	.090 (2,29)
10SC004003	4	1/32 (0,79)	.235 (5,97)	3/64 (1,19)	.145 (3,68)	.115 (2,92)
10SC004004	4	3/64 (1,19)	.235 (5,97)	3/64 (1,19)	.145 (3,68)	.115 (2,92)
10SC004006	4	1/16 (1,59)	.235 (5,97)	3/64 (1,19)	.145 (3,68)	.115 (2,92)
10SC004009	4	3/32 (2,38)	.235 (5,97)	3/64 (1,19)	.145 (3,68)	.115 (2,92)
10SC004012	4	1/8 (3,18)	.235 (5,97)	3/64 (1,19)	.145 (3,68)	.115 (2,92)
10SC004015	4	5/32 (3,97)	.235 (5,97)	3/64 (1,19)	.145 (3,68)	.115 (2,92)
10SC004018	4	3/16 (4,76)	.235 (5,97)	3/64 (1,19)	.145 (3,68)	.115 (2,92)
10SC004025	4	1/4 (6,35)	.235 (5,97)	3/64 (1,19)	.145 (3,68)	.115 (2,92)
10SC004037	4	3/8 (9,53)	.235 (5,97)	3/64 (1,19)	.145 (3,68)	.115 (2,92)
10SC004050	4	1/2 (12,70)	.235 (5,97)	3/64 (1,19)	.145 (3,68)	.115 (2,92)
10SC006004	6	3/64 (1,19)	.290 (7,37)	3/64 (1,19)	.170 (4,32)	.140 (3,56)
10SC006006	6	1/16 (1,59)	.290 (7,37)	3/64 (1,19)	.170 (4,32)	.140 (3,56)
10SC006009	6	3/32 (2,38)	.290 (7,37)	3/64 (1,19)	.170 (4,32)	.140 (3,56)
10SC006012	6	1/8 (3,18)	.290 (7,37)	3/64 (1,19)	.170 (4,32)	.140 (3,56)
10SC006015	6	5/32 (3,97)	.290 (7,37)	3/64 (1,19)	.170 (4,32)	.140 (3,56)
10SC006018	6	3/16 (4,76)	.290 (7,37)	3/64 (1,19)	.170 (4,32)	.140 (3,56)
10SC006025	6	1/4 (6,35)	.290 (7,37)	3/64 (1,19)	.170 (4,32)	.140 (3,56)
10SC006037	6	3/8 (9,53)	.290 (7,37)	3/64 (1,19)	.170 (4,32)	.140 (3,56)
10SC006050	6	1/2 (12,70)	.290 (7,37)	3/64 (1,19)	.170 (4,32)	.140 (3,56)
10SC008012	8	1/8 (3,18)	.344 (8,74)	1/16 (1,59)	.205 (5,21)	.173 (4,39)
10SC008014	8	9/64 (3,58)	.344 (8,74)	1/16 (1,59)	.205 (5,21)	.173 (4,39)
10SC008025	8	1/4 (6,35)	.344 (8,74)	1/16 (1,59)	.205 (5,21)	.173 (4,39)
10SC008037	8	3/8 (9,53)	.344 (8,74)	1/16 (1,59)	.205 (5,21)	.173 (4,39)
10SC008050	8	1/2 (12,70)	.344 (8,74)	1/16 (1,59)	.205 (5,21)	.173 (4,39)
10SC008062	8	5/8 (15,88)	.344 (8,74)	1/16 (1,59)	.205 (5,21)	.173 (4,39)
10SC008075	8	3/4 (19,05)	.344 (8,74)	1/16 (1,59)	.205 (5,21)	.173 (4,39)
10SC010006	10	1/16 (1,59)	.399 (10,13)	1/16 (1,59)	.260 (6,60)	.200 (5,08)
10SC010014	10	9/64 (3,58)	.399 (10,13)	1/16 (1,59)	.260 (6,60)	.200 (5,08)
10SC010018	10	3/16 (4,76)	.399 (10,13)	1/16 (1,59)	.260 (6,60)	.200 (5,08)
10SC010025	10	1/4 (6,35)	.399 (10,13)	1/16 (1,59)	.260 (6,60)	.200 (5,08)
10SC010037	10	3/8 (9,53)	.399 (10,13)	1/16 (1,59)	.260 (6,60)	.200 (5,08)
10SC010050	10	1/2 (12,70)	.399 (10,13)	1/16 (1,59)	.260 (6,60)	.200 (5,08)
10SC010056	10	9/16 (14,29)	.399 (10,13)	1/16 (1,59)	.260 (6,60)	.200 (5,08)
10SC010062	10	5/8 (15,88)	.399 (10,13)	1/16 (1,59)	.260 (6,60)	.200 (5,08)
10SC010075	10	3/4 (19,05)	.399 (10,13)	1/16 (1,59)	.260 (6,60)	.200 (5,08)
10SC250012	1/4	1/8 (3,18)	.513 (13,03)	1/16 (1,59)	.312 (7,92)	.260 (6,60)
10SC250014	1/4	9/64 (3,58)	.513 (13,03)	1/16 (1,59)	.312 (7,92)	.260 (6,60)
10SC250018	1/4	3/16 (4,76)	.513 (13,03)	1/16 (1,59)	.312 (7,92)	.260 (6,60)
10SC250025	1/4	1/4 (6,35)	.513 (13,03)	1/16 (1,59)	.312 (7,92)	.260 (6,60)
10SC250032	1/4	1/4 (6,35)	.513 (13,03)	1/32 (0,79)	.312 (7,92)	.260 (6,60)
10SC250037	1/4	3/8 (9,53)	.513 (13,03)	1/16 (1,59)	.312 (7,92)	.260 (6,60)
10SC250050	1/4	1/2 (12,70)	.513 (13,03)	1/16 (1,59)	.312 (7,92)	.260 (6,60)
10SC250062	1/4	5/8 (15,88)	.513 (13,03)	1/16 (1,59)	.312 (7,92)	.260 (6,60)
10SC250075	1/4	3/4 (19,05)	.513 (13,03)	1/16 (1,59)	.312 (7,92)	.260 (6,60)
10SC312012	5/16	1/8 (3,18)	.620 (15,75)	1/16 (1,59)	.360 (9,14)	.320 (8,13)
10SC312025	5/16	1/4 (6,35)	.620 (15,75)	1/16 (1,59)	.360 (9,14)	.320 (8,13)
10SC312037	5/16	3/8 (9,53)	.620 (15,75)	1/16 (1,59)	.360 (9,14)	.320 (8,13)
10SC312050	5/16	1/2 (12,70)	.620 (15,75)	1/16 (1,59)	.360 (9,14)	.320 (8,13)
10SC312062	5/16	5/8 (15,88)	.620 (15,75)	1/16 (1,59)	.360 (9,14)	.320 (8,13)

METRIC Sizes
Also Available

Page 278



Screw Insulators may also be used as light load bearings in many applications. Specify screw size and length when ordering.

Specials can be made to order for a small tooling charge.

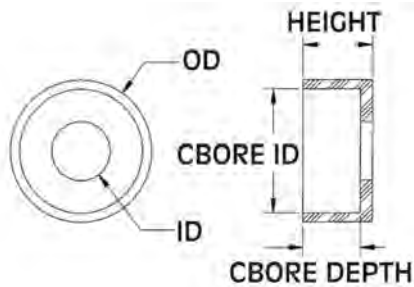


WASHERS, SHOULDER WASHERS & SCREW INSULATORS

SECTION IV

Nylon Cup Washers are designed to :

- Protect the head of a metal screw from electrical contact.
- Accommodate the most common screw head-styles including: Cheese, Pan and Fillister.



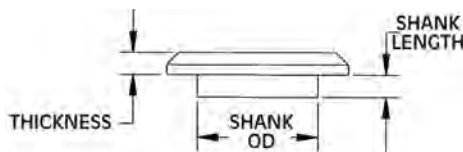
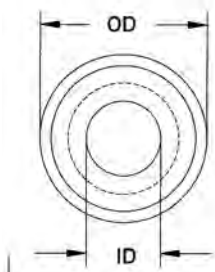
New SIZES



CUP WASHERS

Molded in **Natural Nylon 6/6**

ITEM NUMBER	OD	CBORE ID	ID	CBORE DEPTH	HEIGHT
16CW004257	.305 (7,74)	.245 (6,22)	.115 (2,92)	.217 (5,51)	.257 (6,52)
16CW004040	.305 (7,76)	.245 (6,22)	.115 (2,92)	.117 (2,97)	.157 (3,99)
16CW006040	.360 (9,14)	.300 (7,62)	.140 (3,56)	.142 (3,61)	.182 (4,62)
16CW008040	.414 (10,52)	.354 (8,99)	.171 (4,34)	.166 (4,22)	.206 (5,23)
16CW008042	.497 (12,62)	.389 (9,88)	.187 (4,75)	.093 (2,36)	.139 (3,53)
16CW008041	.414 (10,52)	.354 (8,99)	.171 (4,34)	.130 (3,30)	.170 (4,32)
16CW008043	.343 (8,71)	.281 (7,13)	.172 (4,36)	.182 (4,62)	.218 (5,53)
16CW010030	.568 (14,43)	.375 (9,53)	.201 (5,11)	.127 (3,23)	.157 (3,99)
16CW010040	.470 (11,94)	.410 (10,41)	.194 (4,93)	.190 (4,83)	.230 (5,85)
16CW250250	1.000 (25,4)	.500 (12,70)	.260 (6,60)	.150 (3,81)	.198 (5,03)
16CW250040	.595 (15,11)	.535 (13,59)	.257 (6,53)	.247 (6,27)	.287 (7,29)
16CW250042	.531 (13,48)	.465 (11,81)	.257 (6,58)	.650 (16,51)	.787 (19,98)
16CW312050	.500 (12,70)	.400 (10,16)	.320 (8,12)	.122 (3,09)	.170 (4,31)
16CW312375	.875 (22,23)	.625 (15,88)	.344 (8,74)	.250 (6,35)	.375 (9,53)
16CW312500	.875 (22,23)	.625 (15,88)	.344 (8,74)	.378 (9,60)	.500 (12,70)
16CW375225	1.000 (25,4)	.750 (19,05)	.380 (9,65)	.125 (3,18)	.225 (5,72)
16CW437520	1.094 (27,78)	.786 (19,96)	.437 (11,09)	.196 (4,97)	.531 (13,48)



STANDARD SHOULDER WASHERS

Molded in **Natural Nylon 6/6**

ITEM NUMBER	DESCRIPTION	SCREW SIZE	SHANK LENGTH	OD	THICKNESS	SHANK OD	ID
24SW0002	SW 2	2	.040 (1,02)	.250 (6,35)	.040 (1,02)	.156 (3,96)	.093 (2,36)
24SW0004	SW 4	4	.040 (1,02)	.281 (7,14)	.040 (1,02)	.187 (4,75)	.122 (3,09)
24SW0006	SW 6	6	.040 (1,02)	.328 (8,33)	.040 (1,02)	.218 (5,54)	.146 (3,71)
24SW0008	SW 8	8	.050 (1,27)	.375 (9,53)	.050 (1,27)	.250 (6,35)	.174 (4,42)
24SW0010	SW 10	10	.050 (1,27)	.437 (11,10)	.050 (1,27)	.281 (7,14)	.201 (5,11)
24SW0250	SW1/4	1/4	.060 (1,52)	.562 (14,27)	.060 (1,52)	.375 (9,53)	.260 (6,60)
24SW0375	SW3/8	3/8	.060 (1,52)	.750 (19,05)	.060 (1,52)	.500 (12,70)	.385 (9,78)

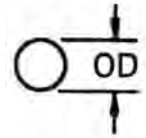
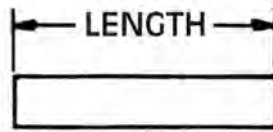
SPACERS

SECTION
V

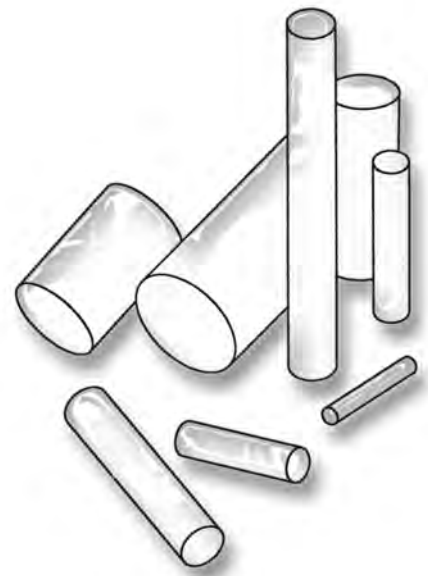
MOLDED PLASTIC DOWELS

Molded in Natural Acetal

Uses include dowel pins, stop pins, insulating spacers, switch actuators, and keys. Natural color acetal plastic is standard though they may be molded of other materials. Other lengths are available.

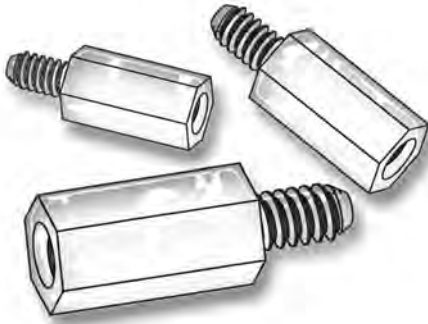


ITEM NUMBER	DESCRIPTION	O.D.	LENGTH
2500470125	047125	.047 (1,19)	1/8 (3,18)
2500470250	047250	.047 (1,19)	1/4 (6,35)
2500470375	047375	.047 (1,19)	3/8 (9,53)
2500470500	047500	.047 (1,19)	1/2 (12,70)
2500620125	062125	.062 (1,57)	1/8 (3,18)
2500620250	062250	.062 (1,57)	1/4 (6,35)
2500620375	062375	.062 (1,57)	3/8 (9,53)
2500620500	062500	.062 (1,57)	1/2 (12,70)
2500930125	093125	.093 (2,36)	1/8 (3,18)
2500930187	093187	.093 (2,36)	3/16 (4,76)
2500930250	093250	.093 (2,36)	1/4 (6,35)
2500930312	930312	.093 (2,36)	5/16 (7,92)
2500930375	093375	.093 (2,36)	3/8 (9,53)
2500930500	093500	.093 (2,36)	1/2 (12,70)
2501221125	122125	.122 (3,10)	1-1/8 (28,58)
2501250125	125125	.125 (3,18)	1/8 (3,18)
2501250187	125187	.125 (3,18)	3/16 (4,76)
2501250250	125250	.125 (3,18)	1/4 (6,35)
2501250312	125312	.125 (3,18)	5/16 (7,95)
2501250375	125375	.125 (3,18)	3/8 (9,53)
2501250500	125500	.125 (3,18)	1/2 (12,70)
2501870125	187125	.187 (4,75)	1/8 (3,18)
2501870250	187250	.187 (4,75)	1/4 (6,35)
2501870375	187375	.187 (4,75)	3/8 (9,53)
2501870500	187500	.187 (4,75)	1/2 (12,70)
2501870625	187625	.187 (4,75)	5/8 (15,88)
2501870750	187750	.187 (4,75)	3/4 (19,05)
2502451250	245250	.245 (6,22)	1-1/4 (31,75)
2502100500	210500	.210 (5,33)	1/2 (12,70)
2502500125	250125	.250 (6,35)	1/8 (3,18)
2502500239	250239	.250 (6,35)	15/64 (5,97)
2502500250	250250	.250 (6,35)	1/4 (6,35)
2502500375	250375	.250 (6,35)	3/8 (9,53)
2502500500	250500	.250 (6,35)	1/2 (12,70)
2502500750	250750	.250 (6,35)	3/4 (19,05)
2503120125	312125	.312 (7,92)	1/8 (3,18)
2503120250	312250	.312 (7,92)	1/4 (6,35)
2503120375	312375	.312 (7,92)	3/8 (9,53)
2503120500	312500	.312 (7,92)	1/2 (12,70)
2503120625	312625	.312 (7,92)	5/8 (15,88)
2503120750	312750	.312 (7,92)	3/4 (19,05)
2503750312	375312	.367 (9,32)	5/16 (7,95)
2504370250	437250	.437 (11,10)	1/4 (6,35)



SPACERS

SECTION
V



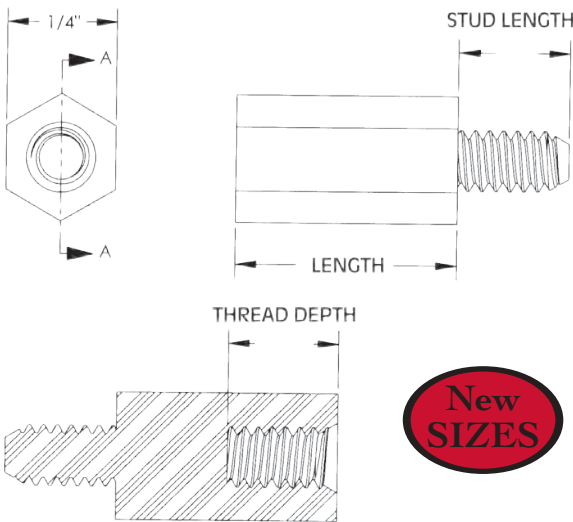
MALE-FEMALE THREADED STANDOFFS

Molded in **Natural Nylon 6/6**



THREAD SIZE	STUD LENGTH	THREAD DEPTH
440	3/16 (4,76)	3/16 (4,76) Minimum
632	1/4 (6,35)	1/4 (6,35) Minimum
832	3/8 (9,53)	3/8 (9,53) Minimum

DEPTH OF THREAD IN 1/4" BODY LENGTHS IS 3/16" MINIMUM



**New
SIZES**

**METRIC Sizes
Also Available**
Page 280

ITEM NUMBER	DESCRIPTION	SCREW SIZE	THREAD	LENGTH
36440MF025	Standoff	4	440	1/4 (6,35)
36440MF031	Standoff	4	440	5/16 (7,94)
36440MF037	Standoff	4	440	3/8 (9,53)
36440MF050	Standoff	4	440	1/2 (12,70)
36440MF060	Standoff	4	440	.600 (15,24)
36440MF062	Standoff	4	440	5/8 (15,88)
36440MF075	Standoff	4	440	3/4 (19,05)
36440MF087	Standoff	4	440	7/8 (22,22)
36440MF100	Standoff	4	440	1 (25,40)
36440MF112	Standoff	4	440	1 1/8 (28,58)
36440MF125	Standoff	4	440	1 1/4 (31,75)
36440MF137	Standoff	4	440	1 3/8 (34,93)
36440MF150	Standoff	4	440	1 1/2 (38,10)
36440MF162	Standoff	4	440	1 5/8 (38,28)
36440MF175	Standoff	4	440	1 3/4 (44,45)
36440MF200	Standoff	4	440	2 (50,80)
* 36632MF025	Standoff	6	632	1/4 (6,35)
** 36632MF026	Standoff	6	632	17/64 (6,75)
36632MF037	Standoff	6	632	3/8 (9,53)
36632MF050	Standoff	6	632	1/2 (12,70)
36632MF056	Standoff	6	632	9/16 (14,27)
36632MF062	Standoff	6	632	5/8 (15,88)
36632MF075	Standoff	6	632	3/4 (19,05)
36632MF087	Standoff	6	632	7/8 (22,22)
36632MF093	Standoff	6	632	15/16 (23,81)
36632MF100	Standoff	6	632	1 (25,40)
36632MF112	Standoff	6	632	1 1/8 (28,58)
36632MF125	Standoff	6	632	1 1/4 (31,75)
36632MF131	Standoff	6	632	1 5/16 (33,32)
36632MF137	Standoff	6	632	1 3/8 (34,93)
36632MF150	Standoff	6	632	1 1/2 (38,10)
36632MF162	Standoff	6	632	1 5/8 (41,28)
36632MF175	Standoff	6	632	1 3/4 (44,45)
36632MF200	Standoff	6	632	2 (50,80)
** 36832MF025	Standoff	8	832	1/4 (6,35)
*** 36832MF037	Standoff	8	832	3/8 (9,53)
36832MF050	Standoff	8	832	1/2 (12,70)
36832MF062	Standoff	8	832	5/8 (15,88)
36832MF075	Standoff	8	832	3/4 (19,05)
36832MF086	Standoff	8	832	7/8 (22,22)
36832MF087	Standoff	8	832	7/8 (22,22)
36832MF100	Standoff	8	832	1 (25,40)
36832MF112	Standoff	8	832	1 1/8 (28,58)
36832MF125	Standoff	8	832	1 1/4 (31,75)
36832MF137	Standoff	8	832	1 3/8 (34,93)
36832MF150	Standoff	8	832	1 1/2 (38,10)
36832MF162	Standoff	8	832	1 5/8 (41,28)
36832MF175	Standoff	8	832	1 3/4 (44,45)
36832MF200	Standoff	8	832	2 (50,80)

- * Thread Depth = 3/16
- ** Thread Depth=13/64
- *** Thread Depth=.200
- **** Thread Depth=.270

SPACERS

SECTION
V

ITEM NUMBER	DESCRIPTION	OD	ID	LENGTH	SCREW SIZE
13SP000	SP 0	1/8 (3,18)	.063 (1,60)	3/16 (4,76)	0
13SP001	SP 1	3/16 (4,76)	.091 (2,31)	1/8 (3,18)	2
13SP002	SP 2	3/16 (4,76)	.115 (2,92)	1/8 (3,18)	4
13SP003	SP 3	3/16 (4,76)	.091 (2,31)	3/16 (4,76)	2
13SP004	SP 4	3/16 (4,76)	.115 (2,92)	3/16 (4,76)	4
13SP005	SP 5	3/16 (4,76)	.091 (2,31)	1/4 (6,35)	2
13SP006	SP 6	3/16 (4,76)	.115 (2,92)	1/4 (6,35)	4
13SP007	SP 7	3/16 (4,76)	.091 (2,31)	5/16 (7,94)	2
13SP008	SP 8	3/16 (4,76)	.115 (2,92)	5/16 (7,94)	4
13SP009	SP 9	3/16 (4,76)	.091 (2,31)	3/8 (9,53)	2
13SP010	SP 10	3/16 (4,76)	.115 (2,92)	3/8 (9,53)	4
13SP011	SP 11	3/16 (4,76)	.091 (2,31)	7/16 (11,11)	2
13SP012	SP 12	3/16 (4,76)	.115 (2,92)	7/16 (11,11)	4
13SP013	SP 13	3/16 (4,76)	.091 (2,31)	1/2 (12,70)	2
13SP014	SP 14	3/16 (4,76)	.115 (2,92)	1/2 (12,70)	4
13SP015	SP 15	3/16 (4,76)	.091 (2,31)	9/16 (14,29)	2
13SP016	SP 16	3/16 (4,76)	.115 (2,92)	9/16 (14,29)	4
13SP017	SP 17	3/16 (4,76)	.091 (2,31)	5/8 (15,88)	2
13SP018	SP 18	3/16 (4,76)	.115 (2,92)	5/8 (15,88)	4
13SP019	SP 19	3/16 (4,76)	.091 (2,31)	11/16 (17,46)	2
13SP020	SP 20	3/16 (4,76)	.115 (2,92)	11/16 (17,46)	4
13SP021	SP 21	3/16 (4,76)	.091 (2,31)	3/4 (19,05)	2
13SP022	SP 22	3/16 (4,76)	.115 (2,92)	3/4 (19,05)	4
13SP023	SP 23	3/16 (4,76)	.091 (2,31)	13/16 (20,64)	2
13SP024	SP 24	3/16 (4,76)	.115 (2,92)	13/16 (20,64)	4
13SP025	SP 25	3/16 (4,76)	.091 (2,31)	7/8 (22,22)	2
13SP026	SP 26	3/16 (4,76)	.115 (2,92)	7/8 (22,22)	4
13SP027	SP 27	3/16 (4,76)	.091 (2,31)	15/16 (23,81)	2
13SP028	SP 28	3/16 (4,76)	.115 (2,92)	15/16 (23,81)	4
13SP029	SP 29	3/16 (4,76)	.091 (2,31)	1 (25,40)	2
13SP030	SP 30	3/16 (4,76)	.115 (2,92)	1 (25,40)	4
13SP031	SP 31	1/4 (6,35)	.091 (2,31)	1/8 (3,18)	2
13SP032	SP 32	1/4 (6,35)	.115 (2,92)	1/8 (3,18)	4
13SP033	SP 33	1/4 (6,35)	.140 (3,56)	1/8 (3,18)	6
13SP034	SP 34	1/4 (6,35)	.171 (4,34)	1/8 (3,18)	8
13SP035	SP 35	1/4 (6,35)	.091 (2,31)	3/16 (4,76)	2
13SP036	SP 36	1/4 (6,35)	.115 (2,92)	3/16 (4,76)	4
13SP037	SP 37	1/4 (6,35)	.140 (3,56)	3/16 (4,76)	6
13SP038	SP 38	1/4 (6,35)	.171 (4,34)	3/16 (4,76)	8
13SP039	SP 39	1/4 (6,35)	.091 (2,31)	1/4 (6,35)	2
13SP040	SP 40	1/4 (6,35)	.115 (2,92)	1/4 (6,35)	4
13SP041	SP 41	1/4 (6,35)	.140 (3,56)	1/4 (6,35)	6
13SP042	SP 42	1/4 (6,35)	.171 (4,34)	1/4 (6,35)	8
13SP043	SP 43	1/4 (6,35)	.091 (2,31)	5/16 (7,94)	2
13SP044	SP 44	1/4 (6,35)	.115 (2,92)	5/16 (7,94)	4
13SP045	SP 45	1/4 (6,35)	.140 (3,56)	5/16 (7,94)	6
13SP046	SP 46	1/4 (6,35)	.171 (4,34)	5/16 (7,94)	8
13SP047	SP 47	1/4 (6,35)	.091 (2,31)	3/8 (9,53)	2
13SP048	SP 48	1/4 (6,35)	.115 (2,92)	3/8 (9,53)	4
13SP049	SP 49	1/4 (6,35)	.140 (3,56)	3/8 (9,53)	6
13SP050	SP 50	1/4 (6,35)	.171 (4,34)	3/8 (9,53)	8
13SP051	SP 51	1/4 (6,35)	.091 (2,31)	7/16 (11,11)	2
13SP052	SP 52	1/4 (6,35)	.115 (2,92)	7/16 (11,11)	4
13SP053	SP 53	1/4 (6,35)	.140 (3,56)	7/16 (11,11)	6
13SP054	SP 54	1/4 (6,35)	.171 (4,34)	7/16 (11,11)	8

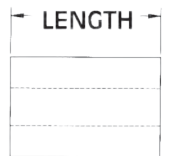
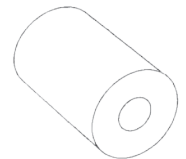
STANDARD SPACERS

Molded in **Natural Nylon 6/6**



METRIC Sizes
Also Available

Page 279



ALL STANDARD NYLON SPACERS CAN BE TAPPED TWO THREAD SIZES LARGER THAN THE SCREW SIZE LISTED.

FOR EXAMPLE:

13SP023 WITH A SCREW SIZE OF 2 CAN BE TAPPED 440 THREAD.

TO ORDER A TAPPED SPACER, SIMPLY ADD A "T" TO THE PART NUMBER.

FOR EXAMPLE:

13SP101 BECOMES 13TSP101



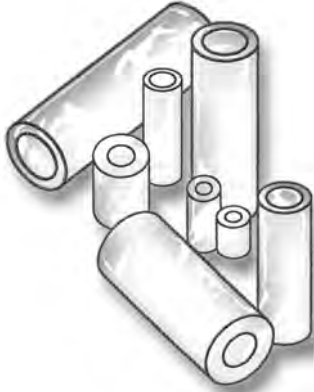
SPACERS

SECTION

V

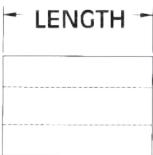
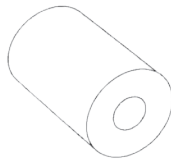
STANDARD SPACERS

Molded in **Natural Nylon 6/6**



**METRIC Sizes
Also Available**

Page 279



ALL STANDARD NYLON SPACERS CAN BE TAPPED TWO THREAD SIZES LARGER THAN THE SCREW SIZE LISTED.

FOR EXAMPLE:

13SP023 WITH A SCREW SIZE OF 2 CAN BE TAPPED 440 THREAD.

TO ORDER A TAPPED SPACER, SIMPLY ADD A "T" TO THE PART NUMBER.

FOR EXAMPLE:

13SP101 BECOMES 13TSP101



ITEM NUMBER	DESCRIPTION	OD	ID	LENGTH	SCREW SIZE
13SP055	SP 55	1/4 (6,35)	.091 (2,31)	1/2 (12,70)	2
13SP056	SP 56	1/4 (6,35)	.115 (2,92)	1/2 (12,70)	4
13SP057	SP 57	1/4 (6,35)	.140 (3,56)	1/2 (12,70)	6
13SP058	SP 58	1/4 (6,35)	.171 (4,34)	1/2 (12,70)	8
13SP059	SP 59	1/4 (6,35)	.091 (2,31)	9/16 (14,29)	2
13SP060	SP 60	1/4 (6,35)	.115 (2,92)	9/16 (14,29)	4
13SP061	SP 61	1/4 (6,35)	.140 (3,56)	9/16 (14,29)	6
13SP062	SP 62	1/4 (6,35)	.171 (4,34)	9/16 (14,29)	8
13SP063	SP 63	1/4 (6,35)	.091 (2,31)	5/8 (15,88)	2
13SP064	SP 64	1/4 (6,35)	.115 (2,92)	5/8 (15,88)	4
13SP065	SP 65	1/4 (6,35)	.140 (3,56)	5/8 (15,88)	6
13SP066	SP 66	1/4 (6,35)	.171 (4,34)	5/8 (15,88)	8
13SP067	SP 67	1/4 (6,35)	.091 (2,31)	11/16 (17,46)	2
13SP068	SP 68	1/4 (6,35)	.115 (2,92)	11/16 (17,46)	4
13SP069	SP 69	1/4 (6,35)	.140 (3,56)	11/16 (17,46)	6
13SP070	SP 70	1/4 (6,35)	.171 (4,34)	11/16 (17,46)	8
13SP071	SP 71	1/4 (6,35)	.091 (2,31)	3/4 (19,05)	2
13SP072	SP 72	1/4 (6,35)	.115 (2,92)	3/4 (19,05)	4
13SP073	SP 73	1/4 (6,35)	.140 (3,56)	3/4 (19,05)	6
13SP074	SP 74	1/4 (6,35)	.171 (4,34)	3/4 (19,05)	8
13SP075	SP 75	1/4 (6,35)	.091 (2,31)	13/16 (20,64)	2
13SP076	SP 76	1/4 (6,35)	.115 (2,92)	13/16 (20,64)	4
13SP077	SP 77	1/4 (6,35)	.140 (3,56)	13/16 (20,64)	6
13SP078	SP 78	1/4 (6,35)	.171 (4,34)	13/16 (20,64)	8
13SP079	SP 79	1/4 (6,35)	.091 (2,31)	7/8 (22,22)	2
13SP080	SP 80	1/4 (6,35)	.115 (2,92)	7/8 (22,22)	4
13SP081	SP 81	1/4 (6,35)	.140 (3,56)	7/8 (22,22)	6
13SP082	SP 82	1/4 (6,35)	.171 (4,34)	7/8 (22,22)	8
13SP083	SP 83	1/4 (6,35)	.091 (2,31)	15/16 (23,81)	2
13SP084	SP 84	1/4 (6,35)	.115 (2,92)	15/16 (23,81)	4
13SP085	SP 85	1/4 (6,35)	.140 (3,56)	15/16 (23,81)	6
13SP086	SP 86	1/4 (6,35)	.171 (4,34)	15/16 (23,81)	8
13SP087	SP 87	1/4 (6,35)	.091 (2,31)	1 (25,40)	2
13SP088	SP 88	1/4 (6,35)	.115 (2,92)	1 (25,40)	4
13SP089	SP 89	1/4 (6,35)	.140 (3,56)	1 (25,40)	6
13SP090	SP 90	1/4 (6,35)	.171 (4,34)	1 (25,40)	8
13SP091	SP 91	5/16 (7,94)	.115 (2,92)	1/8 (3,18)	4
13SP092	SP 92	5/16 (7,94)	.140 (3,56)	1/8 (3,18)	6
13SP093	SP 93	5/16 (7,94)	.171 (4,34)	1/8 (3,18)	8
13SP094	SP 94	5/16 (7,94)	.194 (4,93)	1/8 (3,18)	10
13SP095	SP 95	5/16 (7,94)	.115 (2,92)	3/16 (4,76)	4
13SP096	SP 96	5/16 (7,94)	.140 (3,56)	3/16 (4,76)	6
13SP097	SP 97	5/16 (7,94)	.171 (4,34)	3/16 (4,76)	8
13SP098	SP 98	5/16 (7,94)	.194 (4,93)	3/16 (4,76)	10
13SP099	SP 99	5/16 (7,94)	.115 (2,92)	1/4 (6,35)	4
13SP100	SP100	5/16 (7,94)	.140 (3,56)	1/4 (6,35)	6
13SP101	SP101	5/16 (7,94)	.171 (4,34)	1/4 (6,35)	8
13SP102	SP102	5/16 (7,94)	.194 (4,93)	1/4 (6,35)	10
13SP103	SP103	5/16 (7,94)	.115 (2,92)	5/16 (7,94)	4
13SP104	SP104	5/16 (7,94)	.140 (3,56)	5/16 (7,94)	6
13SP105	SP105	5/16 (7,94)	.171 (4,34)	5/16 (7,94)	8
13SP106	SP106	5/16 (7,94)	.194 (4,93)	5/16 (7,94)	10
13SP107	SP107	5/16 (7,94)	.115 (2,92)	3/8 (9,53)	4
13SP108	SP108	5/16 (7,94)	.140 (3,56)	3/8 (9,53)	6
13SP109	SP109	5/16 (7,94)	.171 (4,34)	3/8 (9,53)	8

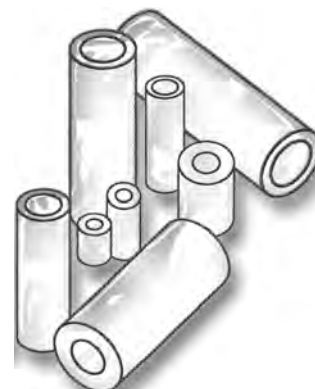
SPACERS

SECTION
V

ITEM NUMBER	DESCRIPTION	OD	ID	LENGTH	SCREW SIZE
13SP110	SP110	5/16 (7,94)	.194 (4,93)	3/8 (9,53)	10
13SP111	SP111	5/16 (7,94)	.115 (2,92)	7/16 (11,11)	4
13SP112	SP112	5/16 (7,94)	.140 (3,56)	7/16 (11,11)	6
13SP113	SP113	5/16 (7,94)	.171 (4,34)	7/16 (11,11)	8
13SP114	SP114	5/16 (7,94)	.194 (4,93)	7/16 (11,11)	10
13SP115	SP115	5/16 (7,94)	.115 (2,92)	1/2 (12,70)	4
13SP116	SP116	5/16 (7,94)	.140 (3,56)	1/2 (12,70)	6
13SP117	SP117	5/16 (7,94)	.171 (4,34)	1/2 (12,70)	8
13SP118	SP118	5/16 (7,94)	.194 (4,93)	1/2 (12,70)	10
13SP119	SP119	5/16 (7,94)	.115 (2,92)	9/16 (14,29)	4
13SP120	SP120	5/16 (7,94)	.140 (3,56)	9/16 (14,29)	6
13SP121	SP121	5/16 (7,94)	.171 (4,34)	9/16 (14,29)	8
13SP122	SP122	5/16 (7,94)	.194 (4,93)	9/16 (14,29)	10
13SP123	SP123	5/16 (7,94)	.115 (2,92)	5/8 (15,88)	4
13SP124	SP124	5/16 (7,94)	.140 (3,56)	5/8 (15,88)	6
13SP125	SP125	5/16 (7,94)	.171 (4,34)	5/8 (15,88)	8
13SP126	SP126	5/16 (7,94)	.194 (4,93)	5/8 (15,88)	10
13SP127	SP127	5/16 (7,94)	.115 (2,92)	11/16 (17,46)	4
13SP128	SP128	5/16 (7,94)	.140 (3,56)	11/16 (17,46)	6
13SP129	SP129	5/16 (7,94)	.171 (4,34)	11/16 (17,46)	8
13SP130	SP130	5/16 (7,94)	.194 (4,93)	11/16 (17,46)	10
13SP131	SP131	5/16 (7,94)	.115 (2,92)	3/4 (19,05)	4
13SP132	SP132	5/16 (7,94)	.140 (3,56)	3/4 (19,05)	6
13SP133	SP133	5/16 (7,94)	.171 (4,34)	3/4 (19,05)	8
13SP134	SP134	5/16 (7,94)	.194 (4,93)	3/4 (19,05)	10
13SP135	SP135	5/16 (7,94)	.115 (2,92)	13/16 (20,63)	4
13SP136	SP136	5/16 (7,94)	.140 (3,56)	13/16 (20,63)	6
13SP137	SP137	5/16 (7,94)	.171 (4,34)	13/16 (20,63)	8
13SP138	SP138	5/16 (7,94)	.194 (4,93)	13/16 (20,63)	10
13SP139	SP139	5/16 (7,94)	.115 (2,92)	7/8 (22,22)	4
13SP140	SP140	5/16 (7,94)	.140 (3,56)	7/8 (22,22)	6
13SP141	SP141	5/16 (7,94)	.171 (4,34)	7/8 (22,22)	8
13SP142	SP142	5/16 (7,94)	.194 (4,93)	7/8 (22,22)	10
13SP143	SP143	5/16 (7,94)	.115 (2,92)	15/16 (23,81)	4
13SP144	SP144	5/16 (7,94)	.140 (3,56)	15/16 (23,81)	6
13SP145	SP145	5/16 (7,94)	.171 (4,34)	15/16 (23,81)	8
13SP146	SP146	5/16 (7,94)	.194 (4,93)	15/16 (23,81)	10
13SP147	SP147	5/16 (7,94)	.115 (2,92)	1 (25,40)	4
13SP148	SP148	5/16 (7,94)	.140 (3,56)	1 (25,40)	6
13SP149	SP149	5/16 (7,94)	.171 (4,34)	1 (25,40)	8
13SP150	SP150	5/16 (7,94)	.194 (4,93)	1 (25,40)	10
13SP158	SP158	3/8 (9,53)	.140 (3,56)	1/8 (3,18)	6
13SP159	SP159	3/8 (9,53)	.171 (4,34)	1/8 (3,18)	8
13SP160	SP160	3/8 (9,53)	.194 (4,93)	1/8 (3,18)	10
13SP161	SP161	3/8 (9,53)	.140 (3,56)	3/16 (4,76)	6
13SP162	SP162	3/8 (9,53)	.171 (4,34)	3/16 (4,76)	8
13SP163	SP163	3/8 (9,53)	.194 (4,93)	3/16 (4,76)	10
13SP164	SP164	3/8 (9,53)	.140 (3,56)	1/4 (6,35)	6
13SP165	SP165	3/8 (9,53)	.171 (4,34)	1/4 (6,35)	8
13SP166	SP166	3/8 (9,53)	.194 (4,93)	1/4 (6,35)	10
13SP167	SP167	3/8 (9,53)	.140 (3,56)	5/16 (7,94)	6
13SP168	SP168	3/8 (9,53)	.171 (4,34)	5/16 (7,94)	8
13SP169	SP169	3/8 (9,53)	.194 (4,93)	5/16 (7,94)	10
13SP170	SP170	3/8 (9,53)	.140 (3,56)	3/8 (9,53)	6
13SP171	SP171	3/8 (9,53)	.171 (4,34)	3/8 (9,53)	8

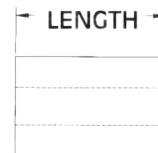
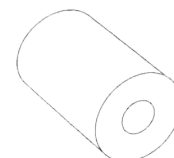
STANDARD SPACERS

Molded in Natural Nylon 6/6



**METRIC Sizes
Also Available**

Page 279



ALL STANDARD NYLON SPACERS CAN BE TAPPED TWO THREAD SIZES LARGER THAN THE SCREW SIZE LISTED.

FOR EXAMPLE:

13SP023 WITH A SCREW SIZE OF 2 CAN BE TAPPED 440 THREAD.

TO ORDER A TAPPED SPACER, SIMPLY ADD A "T" TO THE PART NUMBER.

FOR EXAMPLE:

13SP101 BECOMES 13TSP101



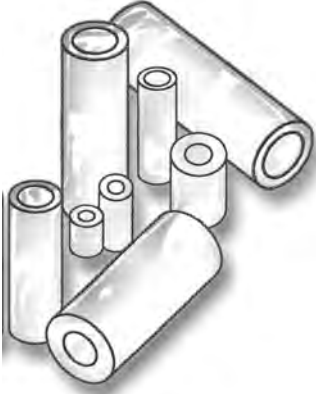
SPACERS

SECTION

V

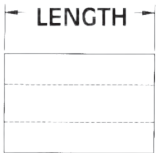
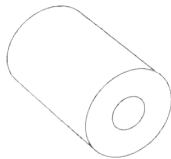
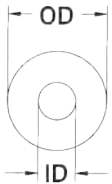
STANDARD SPACERS

Molded in Natural Nylon 6/6



**METRIC Sizes
Also Available**

Page 279



ALL STANDARD NYLON SPACERS CAN BE TAPPED TWO THREAD SIZES LARGER THAN THE SCREW SIZE LISTED.

FOR EXAMPLE:

13SP023 WITH A SCREW SIZE OF 2
CAN BE TAPPED 440 THREAD.

TO ORDER A TAPPED SPACER, SIMPLY ADD A "T" TO THE PART NUMBER.

FOR EXAMPLE:

13SP101 BECOMES 13TSP101



ITEM NUMBER	DESCRIPTION	OD	ID	LENGTH	SCREW SIZE
13SP172	SP172	3/8 (9,53)	.194 (4,93)	3/8 (9,53)	10
13SP173	SP173	3/8 (9,53)	.140 (3,56)	7/16 (11,11)	6
13SP174	SP174	3/8 (9,53)	.171 (4,34)	7/16 (11,11)	8
13SP175	SP175	3/8 (9,53)	.194 (4,93)	7/16 (11,11)	10
13SP176	SP176	3/8 (9,53)	.140 (3,56)	1/2 (12,70)	6
13SP177	SP177	3/8 (9,53)	.171 (4,34)	1/2 (12,70)	8
13SP178	SP178	3/8 (9,53)	.194 (4,93)	1/2 (12,70)	10
13SP179	SP179	3/8 (9,53)	.140 (3,56)	9/16 (14,29)	6
13SP180	SP180	3/8 (9,53)	.171 (4,34)	9/16 (14,29)	8
13SP181	SP181	3/8 (9,53)	.194 (4,93)	9/16 (14,29)	10
13SP182	SP182	3/8 (9,53)	.140 (3,56)	5/8 (15,88)	6
13SP183	SP183	3/8 (9,53)	.171 (4,34)	5/8 (15,88)	8
13SP184	SP184	3/8 (9,53)	.194 (4,93)	5/8 (15,88)	10
13SP185	SP185	3/8 (9,53)	.140 (3,56)	11/16 (17,46)	6
13SP186	SP186	3/8 (9,53)	.171 (4,34)	11/16 (17,46)	8
13SP187	SP187	3/8 (9,53)	.194 (4,93)	11/16 (17,46)	10
13SP188	SP188	3/8 (9,53)	.140 (3,56)	3/4 (19,05)	6
13SP189	SP189	3/8 (9,53)	.171 (4,34)	3/4 (19,05)	8
13SP190	SP190	3/8 (9,53)	.194 (4,93)	3/4 (19,05)	10
13SP191	SP191	3/8 (9,53)	.140 (3,56)	13/16 (20,64)	6
13SP192	SP192	3/8 (9,53)	.171 (4,34)	13/16 (20,64)	8
13SP193	SP193	3/8 (9,53)	.194 (4,93)	13/16 (20,64)	10
13SP194	SP194	3/8 (9,53)	.140 (3,56)	7/8 (22,22)	6
13SP195	SP195	3/8 (9,53)	.171 (4,34)	7/8 (22,22)	8
13SP196	SP196	3/8 (9,53)	.194 (4,93)	7/8 (22,22)	10
13SP197	SP197	3/8 (9,53)	.140 (3,56)	15/16 (23,81)	6
13SP198	SP198	3/8 (9,53)	.171 (4,34)	15/16 (23,81)	8
13SP199	SP199	3/8 (9,53)	.194 (4,93)	15/16 (23,81)	10
13SP200	SP200	3/8 (9,53)	.140 (3,56)	1 (25,40)	6
13SP201	SP201	3/8 (9,53)	.171 (4,34)	1 (25,40)	8
13SP202	SP202	3/8 (9,53)	.194 (4,93)	1 (25,40)	10
13SP203	SP203	1/2 (12,70)	.140 (3,56)	1/8 (3,18)	6
13SP204	SP204	1/2 (12,70)	.171 (4,34)	1/8 (3,18)	8
13SP205	SP205	1/2 (12,70)	.194 (4,93)	1/8 (3,18)	10
13SP206	SP206	1/2 (12,70)	.219 (5,56)	1/8 (3,18)	12
13SP207	SP207	1/2 (12,70)	.260 (6,60)	1/8 (3,18)	1/4
13SP208	SP208	1/2 (12,70)	.140 (3,56)	3/16 (4,76)	6
13SP209	SP209	1/2 (12,70)	.171 (4,34)	3/16 (4,76)	8
13SP210	SP210	1/2 (12,70)	.194 (4,93)	3/16 (4,76)	10
13SP211	SP211	1/2 (12,70)	.219 (5,56)	3/16 (4,76)	12
13SP212	SP212	1/2 (12,70)	.260 (6,60)	3/16 (4,76)	1/4
13SP213	SP213	1/2 (12,70)	.140 (3,56)	1/4 (6,35)	6
13SP214	SP214	1/2 (12,70)	.171 (4,34)	1/4 (6,35)	8
13SP215	SP215	1/2 (12,70)	.194 (4,93)	1/4 (6,35)	10
13SP216	SP216	1/2 (12,70)	.219 (5,56)	1/4 (6,35)	12
13SP217	SP217	1/2 (12,70)	.260 (6,60)	1/4 (6,35)	1/4
13SP218	SP218	1/2 (12,70)	.140 (3,56)	5/16 (7,94)	6
13SP219	SP219	1/2 (12,70)	.171 (4,34)	5/16 (7,94)	8
13SP220	SP220	1/2 (12,70)	.194 (4,93)	5/16 (7,94)	10
13SP221	SP221	1/2 (12,70)	.220 (5,58)	5/16 (7,94)	12
13SP222	SP222	1/2 (12,70)	.257 (6,53)	5/16 (7,94)	1/4
13SP223	SP223	1/2 (12,70)	.140 (3,56)	3/8 (9,53)	6
13SP224	SP224	1/2 (12,70)	.171 (4,34)	3/8 (9,53)	8

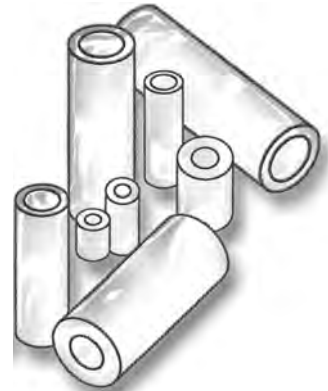
SPACERS

SECTION
V

ITEM NUMBER	DESCRIPTION	OD	ID	LENGTH	SCREW SIZE
13SP225	SP225	1/2 (12,70)	.194 (4,93)	3/8 (9,53)	10
13SP226	SP226	1/2 (12,70)	.219 (5,56)	3/8 (9,53)	12
13SP227	SP227	1/2 (12,70)	.257 (6,53)	3/8 (9,53)	1/4
13SP228	SP228	1/2 (12,70)	.140 (3,56)	7/16 (11,11)	6
13SP229	SP229	1/2 (12,70)	.171 (4,34)	7/16 (11,11)	8
13SP230	SP230	1/2 (12,70)	.194 (4,93)	7/16 (11,11)	10
13SP231	SP231	1/2 (12,70)	.219 (5,56)	7/16 (11,11)	12
13SP232	SP232	1/2 (12,70)	.257 (6,53)	7/16 (11,11)	1/4
13SP233	SP233	1/2 (12,70)	.140 (3,56)	1/2 (12,70)	6
13SP234	SP234	1/2 (12,70)	.171 (4,34)	1/2 (12,70)	8
13SP235	SP235	1/2 (12,70)	.194 (4,93)	1/2 (12,70)	10
13SP236	SP236	1/2 (12,70)	.219 (5,56)	1/2 (12,70)	12
13SP237	SP237	1/2 (12,70)	.257 (6,53)	1/2 (12,70)	1/4
13SP238	SP238	1/2 (12,70)	.140 (3,56)	9/16 (14,29)	6
13SP239	SP239	1/2 (12,70)	.171 (4,34)	9/16 (14,29)	8
13SP240	SP240	1/2 (12,70)	.194 (4,93)	9/16 (14,29)	10
13SP241	SP241	1/2 (12,70)	.219 (5,56)	9/16 (14,29)	12
13SP242	SP242	1/2 (12,70)	.257 (6,53)	9/16 (14,29)	1/4
13SP243	SP243	1/2 (12,70)	.140 (3,56)	5/8 (15,88)	6
13SP244	SP244	1/2 (12,70)	.171 (4,34)	5/8 (15,88)	8
13SP245	SP245	1/2 (12,70)	.194 (4,93)	5/8 (15,88)	10
13SP246	SP246	1/2 (12,70)	.219 (5,56)	5/8 (15,88)	12
13SP247	SP247	1/2 (12,70)	.257 (6,53)	5/8 (15,88)	1/4
13SP248	SP248	1/2 (12,70)	.140 (3,56)	11/16 (17,46)	6
13SP249	SP249	1/2 (12,70)	.171 (4,34)	11/16 (17,46)	8
13SP250	SP250	1/2 (12,70)	.194 (4,93)	11/16 (17,46)	10
13SP251	SP251	1/2 (12,70)	.219 (5,56)	11/16 (17,46)	12
13SP252	SP252	1/2 (12,70)	.257 (6,53)	11/16 (17,46)	1/4
13SP253	SP253	1/2 (12,70)	.140 (3,56)	3/4 (19,05)	6
13SP254	SP254	1/2 (12,70)	.171 (4,34)	3/4 (19,05)	8
13SP255	SP255	1/2 (12,70)	.194 (4,93)	3/4 (19,05)	10
13SP256	SP256	1/2 (12,70)	.219 (5,56)	3/4 (19,05)	12
13SP257	SP257	1/2 (12,70)	.260 (6,60)	3/4 (19,05)	1/4
13SP258	SP258	1/2 (12,70)	.140 (3,56)	13/16 (20,64)	6
13SP259	SP259	1/2 (12,70)	.171 (4,34)	13/16 (20,64)	8
13SP260	SP260	1/2 (12,70)	.194 (4,93)	13/16 (20,64)	10
13SP261	SP261	1/2 (12,70)	.219 (5,56)	13/16 (20,64)	12
13SP262	SP262	1/2 (12,70)	.260 (6,60)	13/16 (20,64)	1/4
13SP263	SP263	1/2 (12,70)	.140 (3,56)	7/8 (22,22)	6
13SP264	SP264	1/2 (12,70)	.171 (4,34)	7/8 (22,22)	8
13SP265	SP265	1/2 (12,70)	.194 (4,93)	7/8 (22,22)	10
13SP266	SP266	1/2 (12,70)	.219 (5,56)	7/8 (22,22)	12
13SP267	SP267	1/2 (12,70)	.260 (6,60)	7/8 (22,22)	1/4
13SP268	SP268	1/2 (12,70)	.140 (3,56)	15/16 (23,81)	6
13SP269	SP269	1/2 (12,70)	.171 (4,34)	15/16 (23,81)	8
13SP270	SP270	1/2 (12,70)	.194 (4,93)	15/16 (23,81)	10
13SP271	SP271	1/2 (12,70)	.219 (5,56)	15/16 (23,81)	12
13SP272	SP272	1/2 (12,70)	.257 (6,53)	15/16 (23,81)	1/4
13SP273	SP273	1/2 (12,70)	.140 (3,56)	1 (25,40)	6
13SP274	SP274	1/2 (12,70)	.171 (4,34)	1 (25,40)	8
13SP275	SP275	1/2 (12,70)	.194 (4,93)	1 (25,40)	10
13SP276	SP276	1/2 (12,70)	.219 (5,56)	1 (25,40)	12
13SP277	SP277	1/2 (12,70)	.257 (6,53)	1 (25,40)	1/4

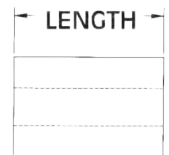
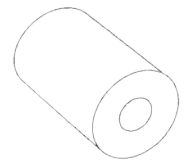
STANDARD SPACERS

Molded in **Natural Nylon 6/6**



METRIC Sizes
Also Available

Page 279



ALL STANDARD NYLON SPACERS CAN BE TAPPED TWO THREAD SIZES LARGER THAN THE SCREW SIZE LISTED.

FOR EXAMPLE:

13SP023 WITH A SCREW SIZE OF 2 CAN BE TAPPED 440 THREAD.

TO ORDER A TAPPED SPACER, SIMPLY ADD A "T" TO THE PART NUMBER.

FOR EXAMPLE:

13SP101 BECOMES 13TSP101



SPACERS

SECTION

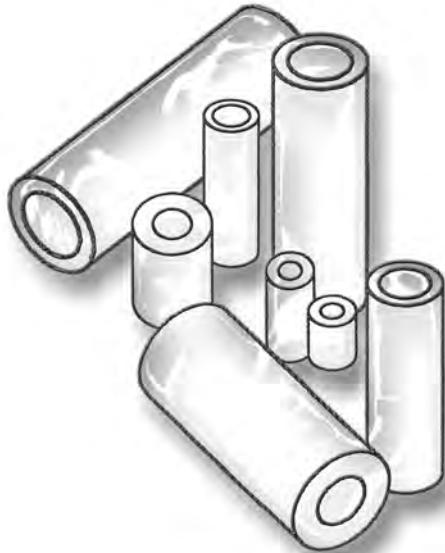
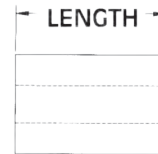
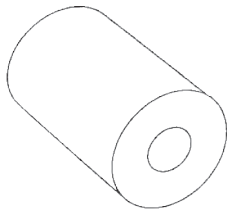
V

STANDARD LONG SPACERS

Molded in Natural Nylon 6/6

Tough and resilient, nylon spacers are useful for many applications. Ideal for use in electrical and electronic assemblies, they also can be used as bushings, bearings, rollers, and glides. Molded from corrosion resistant Type 66 Nylon, all parts are available on short delivery from standard tooling. Samples for testing are available but

NOT ALL SIZES are in stock. Special sizes and lengths at a slight extra tooling charge. Parts are stocked in Nylon 6/6 UL 94V2 Parts can be furnished in: Acetal, Resin TICONA Celcon M-90 UL 94HB



ITEM NUMBER	DESCRIPTION	OD	ID	LENGTH
13SP300	SP 300	1/4 (6,35)	.115 (2,92)	1 -1/16 (27,00)
13SP301	SP 301	1/4 (6,35)	.140 (3,56)	1 -1/16 (27,00)
13SP304	SP 304	1/4 (6,35)	.115 (2,92)	1-1/8 (28,58)
13SP305	SP 305	1/4 (6,35)	.140 (3,56)	1-1/8 (28,58)
13SP308	SP 308	1/4 (6,35)	.115 (2,92)	1-3/16 (30,18)
13SP309	SP 309	1/4 (6,35)	.140 (3,56)	1-3/16 (30,18)
13SP312	SP 312	1/4 (6,35)	.115 (2,92)	1-1/4 (31,75)
13SP313	SP 313	1/4 (6,35)	.140 (3,56)	1-1/4 (31,75)
13SP316	SP 316	1/4 (6,35)	.115 (2,92)	1-5/16 (33,35)
13SP317	SP 317	1/4 (6,35)	.140 (3,56)	1-5/16 (33,35)
13SP320	SP 320	1/4 (6,35)	.115 (2,92)	1-3/8 (34,93)
13SP321	SP 321	1/4 (6,35)	.140 (3,56)	1-3/8 (34,93)
13SP324	SP 324	1/4 (6,35)	.115 (2,92)	1-7/16 (36,53)
13SP325	SP 325	1/4 (6,35)	.140 (3,56)	1-7/16 (36,53)
13SP328	SP 328	1/4 (6,35)	.115 (2,92)	1-1/2 (38,10)
13SP329	SP 329	1/4 (6,35)	.140 (3,56)	1-1/2 (38,10)
13SP335	SP 335	5/16 (7,94)	.115 (2,92)	1-1/16 (27,00)
13SP336	SP 336	5/16 (7,94)	.140 (3,56)	1-1/16 (27,00)
13SP337	SP 337	5/16 (7,94)	.171 (4,34)	1-1/16 (27,00)
13SP338	SP 338	5/16 (7,94)	.194 (4,93)	1-1/16 (27,00)
13SP339	SP 339	5/16 (7,94)	.115 (2,92)	1-1/8 (28,58)
13SP340	SP 340	5/16 (7,94)	.140 (3,56)	1-1/8 (28,58)
13SP341	SP 341	5/16 (7,94)	.171 (4,34)	1-1/8 (28,58)
13SP342	SP 342	5/16 (7,94)	.194 (4,93)	1-1/8 (28,58)
13SP343	SP 343	5/16 (7,94)	.115 (2,92)	1-3/16 (30,18)
13SP344	SP 344	5/16 (7,94)	.140 (3,56)	1-3/16 (30,18)
13SP345	SP 345	5/16 (7,94)	.171 (4,34)	1-3/16 (30,18)
13SP346	SP 346	5/16 (7,94)	.194 (4,93)	1-3/16 (30,18)
13SP347	SP 347	5/16 (7,94)	.115 (2,92)	1-1/4 (31,75)
13SP348	SP 348	5/16 (7,94)	.140 (3,56)	1-1/4 (31,75)
13SP349	SP 349	5/16 (7,94)	.171 (4,34)	1-1/4 (31,75)
13SP350	SP 350	5/16 (7,94)	.194 (4,93)	1-1/4 (31,75)
13SP351	SP 351	5/16 (7,94)	.115 (2,92)	1-5/16 (33,35)
13SP352	SP 352	5/16 (7,94)	.140 (3,56)	1-5/16 (33,35)
13SP353	SP 353	5/16 (7,94)	.171 (4,34)	1-5/16 (33,35)
13SP354	SP 354	5/16 (7,94)	.194 (4,93)	1-5/16 (33,35)

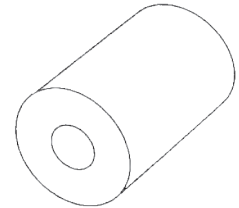
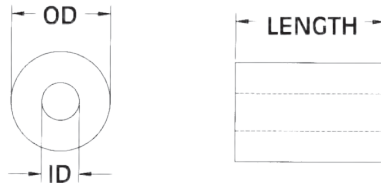


STANDARD LONG SPACERS

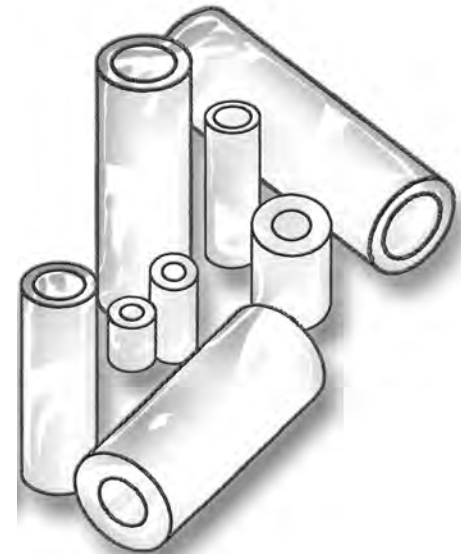
Molded in Natural Nylon 6/6

Tough and resilient, nylon spacers are useful for many applications. Ideal for use in electrical and electronic assemblies, they also can be used as bushings, bearings, rollers, and glides. Molded from corrosion resistant Type 66 Nylon, all parts are available on short delivery from standard tooling. Samples for testing are available but

NOT ALL SIZES are in stock. Special sizes and lengths at a slight extra tooling charge. Parts are stocked in Nylon 6/6 UL 94V2 Parts can be furnished in: Acetal, Resin TICONA Celcon M-90 UL 94HB



ITEM NUMBER	DESCRIPTION	OD	ID	LENGTH
13SP355	SP 355	5/16 (7,94)	.115 (2,92)	1-3/8 (34,93)
13SP356	SP 356	5/16 (7,94)	.140 (3,56)	1-3/8 (34,93)
13SP357	SP 357	5/16 (7,94)	.171 (4,34)	1-3/8 (34,93)
13SP358	SP 358	5/16 (7,94)	.194 (4,93)	1-3/8 (34,93)
13SP359	SP 359	5/16 (7,94)	.115 (2,92)	1-7/16 (36,53)
13SP360	SP 360	5/16 (7,94)	.140 (3,56)	1-7/16 (36,53)
13SP361	SP 361	5/16 (7,94)	.171 (4,34)	1-7/16 (36,53)
13SP362	SP 362	5/16 (7,94)	.194 (4,93)	1-7/16 (36,53)
13SP363	SP 363	5/16 (7,94)	.115 (2,92)	1-1/2 (38,10)
13SP364	SP 364	5/16 (7,94)	.140 (3,56)	1-1/2 (38,10)
13SP365	SP 365	5/16 (7,94)	.171 (4,34)	1-1/2 (38,10)
13SP366	SP 366	5/16 (7,94)	.194 (4,93)	1-1/2 (38,10)
13SP372	SP 372	3/8 (9,53)	.140 (3,56)	1-1/16 (27,00)
13SP373	SP 373	3/8 (9,53)	.171 (4,34)	1-1/16 (27,00)
13SP374	SP 374	3/8 (9,53)	.194 (4,93)	1-1/16 (27,00)
13SP375	SP 375	3/8 (9,53)	.140 (3,56)	1-1/8 (28,58)
13SP376	SP 376	3/8 (9,53)	.171 (4,34)	1-1/8 (28,58)
13SP377	SP 377	3/8 (9,53)	.194 (4,93)	1-1/8 (28,58)
13SP378	SP 378	3/8 (9,53)	.140 (3,56)	1-3/16 (30,18)
13SP379	SP 379	3/8 (9,53)	.171 (4,34)	1-3/16 (30,18)
13SP380	SP 380	3/8 (9,53)	.194 (4,93)	1-3/16 (30,18)
13SP381	SP 381	3/8 (9,53)	.140 (3,56)	1-1/4 (31,75)
13SP382	SP 382	3/8 (9,53)	.171 (4,34)	1-1/4 (31,75)
13SP383	SP 383	3/8 (9,53)	.194 (4,93)	1-1/4 (31,75)
13SP384	SP 384	3/8 (9,53)	.140 (3,56)	1-5/16 (33,35)
13SP385	SP 385	3/8 (9,53)	.171 (4,34)	1-5/16 (33,35)
13SP386	SP 386	3/8 (9,53)	.194 (4,93)	1-5/16 (33,35)
13SP387	SP 387	3/8 (9,53)	.140 (3,56)	1-3/8 (34,93)
13SP388	SP 388	3/8 (9,53)	.171 (4,34)	1-3/8 (34,93)
13SP389	SP 389	3/8 (9,53)	.194 (4,93)	1-3/8 (34,93)
13SP390	SP 390	3/8 (9,53)	.140 (3,56)	1-7/16 (36,53)
13SP391	SP 391	3/8 (9,53)	.171 (4,34)	1-7/16 (36,53)
13SP392	SP 392	3/8 (9,53)	.194 (4,93)	1-7/16 (36,53)
13SP393	SP 393	3/8 (9,53)	.140 (3,56)	1-1/2 (38,10)
13SP394	SP 394	3/8 (9,53)	.171 (4,34)	1-1/2 (38,10)
13SP395	SP 395	3/8 (9,53)	.194 (4,93)	1-1/2 (38,10)



SPACERS

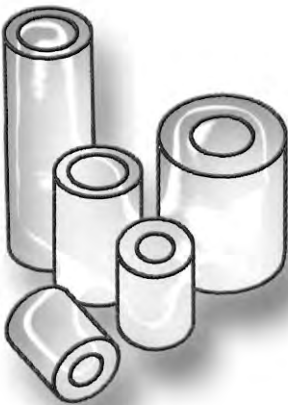
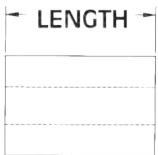
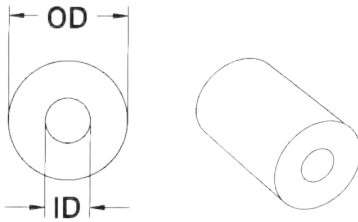
SECTION

V

SPACERS ARE NOT STOCKED - They are molded to your order requirements - NO SAMPLES AVAILABLE.

- Order quantities are subject to - 10% + 20% variation.
- Available in natural Nylon 66 only.
- Parts can be dyed Black at no additional cost, dyed parts may be out of tolerance.
- Minimum order quantity 1000 pieces.

O.D. - I.D. COMBINATIONS AVAILABLE
LENGTHS AVAILABLE 0.125 THRU 1.000
LAST 4 DIGITS OF PART NUMBER



Micro Plastics' length to specification spacers are molded in corrosion resistant, electrical insulating Nylon 6/6.

Available in standard O.D. -- I.D. combinations to your specified length. -- Length specified in .001 increments

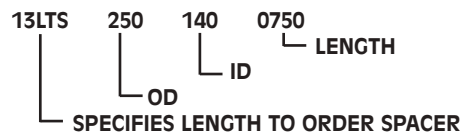
LENGTH TO SPECIFICATION SPACERS

Molded in Natural Nylon 6/6

ITEM NUMBER	OD	ID	LENGTH
3/16 O.D. SPACERS			
13LTS188091 _____	3/16 (4,76)	.091 (2,31)	Special Programming
13LTS188115 _____	3/16 (4,76)	.115 (2,92)	Special Programming
1/4 O.D. SPACERS			
13LTS250091 _____	1/4 (6,35)	.091 (2,31)	Special Programming
13LTS250115 _____	1/4 (6,35)	.115 (2,92)	Special Programming
13LTS250140 _____	1/4 (6,35)	.140 (3,56)	Special Programming
13LTS250171 _____	1/4 (6,35)	.171 (4,34)	Special Programming
5/16 O.D. SPACERS			
13LTS312115 _____	5/16 (7,94)	.115 (2,92)	Special Programming
13LTS312140 _____	5/16 (7,94)	.140 (3,56)	Special Programming
13LTS312171 _____	5/16 (7,94)	.171 (4,34)	Special Programming
13LTS312194 _____	5/16 (7,94)	.194 (4,67)	Special Programming
3/8 O.D. SPACERS			
13LTS375140 _____	3/8 (9,53)	.140 (3,56)	Special Programming
13LTS375171 _____	3/8 (9,53)	.171 (4,34)	Special Programming
13LTS375194 _____	3/8 (9,53)	.194 (4,67)	Special Programming
1/2 O.D. SPACERS			
13LTS500140 _____	1/2 (12,70)	.140 (3,56)	Special Programming
13LTS500171 _____	1/2 (12,70)	.171 (4,34)	Special Programming
13LTS500194 _____	1/2 (12,70)	.194 (4,67)	Special Programming
13LTS500219 _____	1/2 (12,70)	.219 (5,56)	Special Programming
13LTS500257 _____	1/2 (12,70)	.257 (6,53)	Special Programming

To order this item, add the desired length to the last four digits of the item number.

PART NUMBER EXAMPLE 1/4 O.D. X .140 I.D. X 3/4 LONG



SPACERS

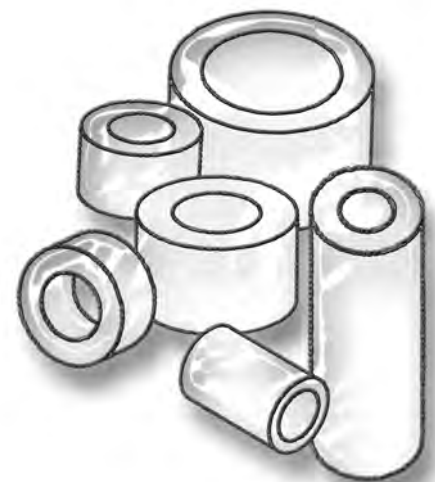
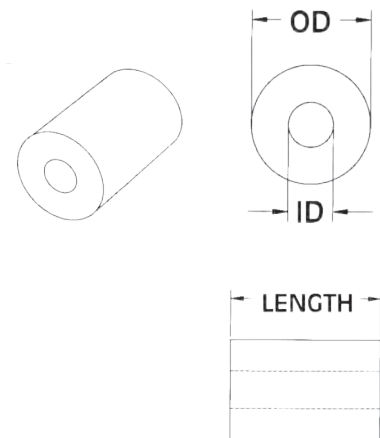
SECTION
V



SPECIAL SPACERS

Molded in **Natural Nylon 6/6**

ITEM NUMBER	DESCRIPTION	OD		ID		LENGTH	
13RS012504	RS 12504	.125	(3,18)	.047	(1,19)	3/8	(9,53)
13RS012505	RS 12505	.125	(3,17)	.067	(1,70)	.375	(9,52)
13RS014528	RS 14528	.148	(3,76)	.085	(2,16)	.280	(7,11)
13RS014529	RS 14529	.125	(3,18)	.047	(1,19)	.187	(4,75)
13RS014530	RS 14530	.150	(3,81)	.078	(1,98)	5/16	(7,94)
13RS014531	RS 14531	.138	(3,50)	.038	(0,97)	.125	(3,17)
13RS014532	RS 14532	.156	(3,96)	.063	(1,60)	.120	(3,05)
13RS014533	RS 14533	.138	(3,51)	.038	(0,97)	.065	(1,65)
13RS014534	RS 14534	.125	(3,18)	.069	(1,75)	.203	(5,16)
13RS014535	RS 14535	.085	(2,16)	.032	(0,81)	.300	(7,62)
13RS014536S	RS 14536	.144	(3,65)	.078	(1,98)	.145	(3,68)
13RS015721	RS 15721	.157	(3,99)	.102	(2,59)	.217	(5,51)
13RS016040	RS 16040	.160	(4,06)	.100	(2,54)	13/32	(10,32)
13RS018020	RS 18020	.192	(4,89)	.093	(2,36)	13/64	(5,16)
13RS018711	RS 18711	.187	(4,75)	.063	(1,60)	.400	(10,16)
13RS018712	RS 18712	.187	(4,74)	.091	(2,31)	.423	(10,74)
13RS018713	RS 18713	.188	(4,77)	.091	(2,31)	.275	(6,99)
13RS018714	RS 18714	.188	(4,77)	.09	(2,29)	.52	(13,21)
13RS018715	RS 18715	.187	(4,75)	.067	(1,70)	9/64	(3,58)
13RS018716	RS 18716	.187	(4,75)	.064	(1,63)	.187	(4,75)
13RS018720	RS 18720	.187	(4,75)	.096	(2,44)	5/32	(3,97)
13RS018721	RS 18721	.187	(4,75)	.063	(1,60)	.200	(5,08)
13RS018722	RS 18722	3/16	(4,76)	.115	(2,92)	9/32	(7,14)
13RS018723	RS 18723	.187	(4,75)	.062	(1,57)	.310	(7,87)
13RS018724	RS 18724	.200	(5,08)	.118	(3,00)	.203	(5,16)
13RS018725	RS 18725	.187	(4,75)	.120	(3,05)	5/16	(7,94)
13RS018726	RS 18726	.187	(4,75)	.135	(3,43)	1/4	(6,35)
13RS018727	RS 18727	.197	(5,00)	.118	(3,00)	.108	(2,74)
13RS018728	RS 18728	.188	(4,78)	.115	(2,92)	.216	(5,49)
13RS018729	RS 18729	.156	(3,96)	.094	(2,39)	.140	(3,56)
13RS018730	RS 18730	.187	(4,75)	.120	(3,05)	11/32	(8,71)
13RS018735	RS 18735	.187	(4,75)	.122	(3,10)	7/16	(11,11)
13RS018784	RS 18784	.187	(4,75)	.104	(2,64)	.421	(10,69)
13RS018785	RS 18785	.187	(4,75)	.091	(2,31)	27/32	(21,41)
13RS018790	RS 18790	.187	(4,75)	.091	(2,31)	13/64	(13,87)
13RS019330	RS 19330	.193	(4,90)	.125	(3,18)	1/4	(6,35)
13RS020030	RS 20030	.200	(5,08)	.145	(3,68)	11/64	(4,37)
13RS020031	RS 20031	.200	(5,08)	.145	(3,68)	.110	(2,79)
13RS020032	RS 20032	.198	(5,03)	.109	(2,77)	.345	(8,76)
13RS020313	RS 20313	.203	(5,16)	.130	(3,30)	9/32	(7,14)
13RS021025	RS 21025	.210	(5,33)	.156	(3,96)	.250	(6,35)
13RS021026	RS 21026	.217	(5,51)	.147	(3,73)	.230	(5,84)
13RS021337	RS 21337	.218	(5,54)	.125	(3,18)	.385	(9,78)
13RS021535	RS 21535	.215	(5,46)	.145	(3,68)	21/64	(8,33)
13RS021830	RS 21830	.218	(5,54)	.140	(3,56)	5/32	(3,97)
13RS022013	RS 22013	.220	(5,59)	.138	(3,50)	21/32	(16,66)
13RS023631	RS 23631	.236	(5,99)	.118	(2,99)	.315	(8,00)
13RS024014	RS 24014	.245	(6,22)	.175	(4,45)	5/32	(3,97)
13RS024015	RS 24015	.245	(6,22)	.175	(4,45)	.166	(4,22)
13RS025009	RS 25009	.250	(6,35)	.195	(4,95)	.195	(4,95)
13RS025010	RS 25010	.250	(6,35)	.153	(3,89)	.250	(6,35)
13RS025011	RS 25011	.250	(6,35)	.171	(4,34)	.413	(10,49)
13RS025012	RS 25012	.250	(6,35)	.126	(3,20)	51/64	(20,22)
13RS025013	RS 25013	.250	(6,35)	.171	(4,34)	.355	(9,02)
13RS025014	RS 25014	.250	(6,35)	.125	(3,18)	.823	(20,90)
13RS025015	RS 25015	.250	(6,35)	.166	(4,22)	1/2	(12,70)
13RS025016	RS 25016	.250	(6,35)	.188	(4,78)	.188	(4,78)
13RS025017	RS 25017	.254	(6,45)	.150	(3,81)	.166	(4,26)
13RS025018	RS 25018	.250	(6,35)	.171	(4,34)	.575	(14,61)



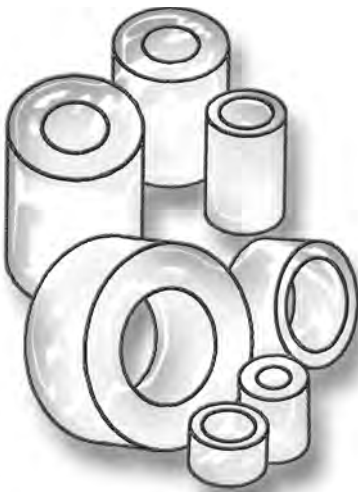
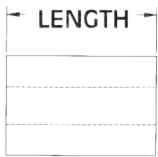
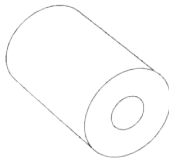
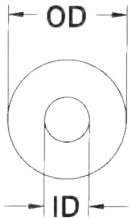
SPACERS

SECTION

V

SPECIAL SPACERS

Molded in **Natural Nylon 6/6**



ITEM NUMBER	DESCRIPTION	OD	ID	LENGTH
13RS025019	RS 25019	.250 (6,35)	.171 (4,34)	.475 (12,07)
13RS025020	RS 25020	.250 (6,35)	.205 (5,21)	.230 (5,84)
13RS025021	RS 25021	.250 (6,35)	.125 (3,18)	.375 (9,53)
13RS025022	RS 25022	.252 (6,40)	.132 (3,35)	.532 (13,51)
13RS025023	RS 25023	.250 (6,35)	.134 (3,40)	.296 (7,51)
13RS025024	RS 25024	.250 (6,35)	.131 (3,32)	.347 (8,81)
13RS025025	RS 25025	.250 (6,35)	.205 (5,20)	.245 (6,22)
13RS025041	RS 25041	.250 (6,35)	.120 (3,05)	.389 (9,88)
13RS025042	RS 25042	.250 (6,35)	.125 (3,18)	.420 (10,67)
13RS025043	RS 25043	.250 (6,35)	.142 (3,61)	.410 (10,41)
13RS025044	RS 25044	.250 (6,35)	.098 (2,48)	.250 (6,35)
13RS025048	RS 25048	.250 (6,35)	.115 (2,92)	7/32 (5,55)
13RS025050	RS 25050	.250 (6,35)	.147 (3,73)	19/64 (7,52)
13RS025051	RS 25051	.250 (6,35)	.171 (4,34)	.334 (8,48)
13RS025052	RS 25052	.250 (6,35)	.147 (3,73)	.500 (12,70)
13RS025053	RS 25053	.250 (6,35)	.140 (3,56)	17/32 (13,49)
13RS025054	RS 25054	.250 (6,35)	.173 (4,39)	.281 (7,13)
13RS025055	RS 25055	.250 (6,35)	.140 (3,56)	35/64 (13,87)
13RS025056	RS 25056	.250 (6,35)	.140 (3,56)	.640 (16,26)
13RS025057	RS 25057	.250 (6,35)	.171 (4,34)	.375 (9,53)
13RS025058	RS 25058	.250 (6,35)	.140 (3,56)	.220 (5,59)
13RS025059	RS 25059	.250 (6,35)	.140 (3,55)	.210 (5,33)
13RS025062	RS 25062	.260 (6,60)	.200 (5,08)	19/32 (15,08)
13RS025063	RS 25063	.265 (6,73)	.200 (5,08)	.296 (7,51)
13RS025065	RS 25065	.250 (6,35)	.160 (4,06)	.750 (19,05)
13RS025066	RS 25066	.260 (6,60)	.200 (5,08)	.556 (14,12)
13RS025070	RS 25070	.250 (6,35)	.141 (3,58)	9/32 (7,14)
13RS025075	RS 25075	.250 (6,35)	.115 (2,92)	.207 (5,26)
13RS025090	RS 25090	.250 (6,35)	.115 (2,92)	1-5/16 (33,32)
13RS025091	RS 25091	.251 (6,38)	.152 (3,86)	5/32 (3,97)
13RS025092	RS 25092	.250 (6,35)	.150 (3,81)	.345 (8,76)
13RS025095	RS 25095	.251 (6,38)	.115 (2,92)	17/32 (13,49)
13RS027540	RS 27540	.275 (6,99)	.195 (4,95)	.40 (10,16)
13RS027541	RS 27541	.275 (6,99)	.185 (4,70)	.090 (2,29)
13RS028030	RS 28030	.280 (7,11)	.170 (4,32)	.300 (7,62)
13RS028035	RS 28035	.281 (7,13)	.208 (5,28)	.187 (4,74)
13RS028038	RS 28038	.280 (7,11)	.125 (3,18)	19/64 (7,54)
13RS028039	RS 28039	.280 (7,11)	.130 (3,30)	.296 (7,51)
13RS028440	RS 28440	.284 (7,21)	.224 (5,69)	.400 (10,16)
13RS029618	RS 29618	.296 (7,52)	.125 (3,18)	3/32 (2,38)
13RS030500	RS 30500	.305 (7,75)	.260 (6,60)	.179 (4,55)
13RS030501	RS 30501	.303 (7,69)	.250 (6,35)	.312 (7,92)
13RS030502	RS 30502	.302 (7,67)	.152 (3,86)	.206 (5,23)
13RS030503	RS 30503	.300 (7,62)	.175 (4,44)	.197 (5,00)
13RS031210	RS 31210	.312 (7,93)	.095 (2,41)	1/4 (6,35)
13RS031211	RS 31211	.312 (7,93)	.194 (4,93)	1.405 (35,68)
13RS031212	RS 31212	.312 (7,93)	.194 (4,93)	.530 (13,46)
13RS031213	RS 31213	.312 (7,93)	.205 (5,21)	.160 (4,06)
13RS031214	RS 31214	.312 (7,93)	.140 (3,56)	9/32 (7,14)
13RS031215	RS 31215	.309 (7,85)	.200 (5,08)	.346 (8,79)
13RS031216	RS 31216	.312 (7,92)	.194 (4,92)	.228 (5,79)
13RS031221	RS 31221	.312 (7,93)	.195 (4,95)	.214 (5,44)
13RS031222	RS 31222	.309 (7,85)	.225 (5,72)	.280 (7,11)
13RS031223	RS 31223	.315 (8,00)	.118 (2,99)	.236 (5,99)
13RS031225	RS 31225	.312 (7,93)	.156 (3,96)	.256 (6,50)
13RS031226	RS 31226	5/16 (7,94)	.228 (5,79)	.260 (6,60)
13RS031230	RS 31230	.312 (7,93)	.246 (6,25)	1/4 (6,35)
13RS031231	RS 31231	.312 (7,92)	.194 (4,92)	.590 (14,45)
13RS031242	RS 31242	.315 (8,00)	.182 (4,62)	.430 (10,92)

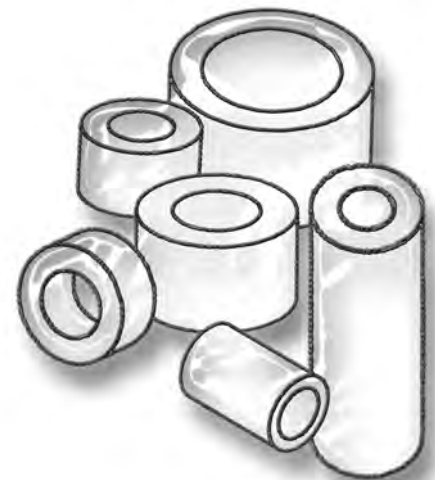
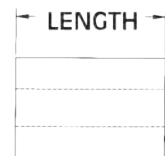
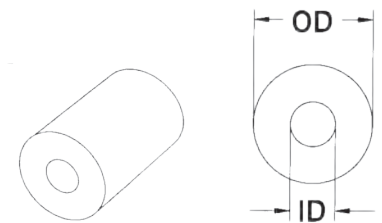
SPACERS

SECTION
V

ITEM NUMBER	DESCRIPTION	OD	ID	LENGTH
13RS031243	RS 31243	5/16 (7,94)	.171 (4,34)	2-7/16 (61,93)
13RS031244	RS 31244	.312 (7,93)	.194 (4,93)	1.155 (29,33)
13RS031245	RS 31245	.312 (7,93)	.195 (4,95)	.355 (9,02)
13RS031246	RS 31246	.312 (7,93)	.140 (3,56)	.200 (5,08)
13RS031247	RS 31247	5/16 (7,94)	7/32 (5,54)	13/16 (20,64)
13RS031248	RS 31248	.312 (7,92)	.218 (5,54)	.875 (22,22)
13RS031249	RS 31249	.312 (7,92)	.194 (4,93)	2.000 (50,80)
13RS031250	RS 31250	.312 (7,93)	.246 (6,25)	.495 (12,57)
13RS031251	RS 31251	.312 (7,93)	.171 (4,34)	1-7/8 (47,63)
13RS031252	RS 31252	.480 (12,19)	.345 (8,76)	3/16 (4,75)
13RS031253	RS 31253	.313 (7,95)	.187 (4,75)	.171 (4,34)
13RS031254	RS 31254	5/16 (7,94)	.171 (4,34)	.671 (17,04)
13RS031255	RS 31255	.320 (8,13)	.215 (5,46)	.220 (5,59)
13RS031256	RS 31256	.325 (8,26)	.125 (3,18)	.360 (9,14)
13RS031257	RS 31257	5/16 (7,94)	.175 (4,45)	.154 (3,91)
13RS031258	RS 31258	.312 (7,93)	.225 (5,72)	7/16 (11,11)
13RS031259	RS 31259	.320 (8,13)	.257 (6,53)	.505 (12,83)
13RS031260	RS 31260	.313 (7,95)	.250 (6,35)	.630 (16,00)
13RS031261	RS 31261	.329 (8,35)	.272 (6,90)	.312 (7,92)
13RS031339	RS 31339	.313 (7,95)	.195 (4,95)	.385 (9,78)
13RS031640	RS 31640	.316 (8,03)	.188 (4,78)	13/64 (5,16)
13RS031641	RS 31641	.250 (6,35)	.120 (3,05)	.200 (5,08)
13RS031830	RS 31830	.313 (7,95)	.189 (4,80)	19/64 (7,54)
13RS034001	RS 34001	.340 (8,64)	.280 (7,11)	.310 (7,87)
13RS034002	RS 34002	11/32 (8,74)	.198 (5,03)	.281 (7,14)
13RS034003	RS 34003	.340 (8,64)	.280 (7,11)	1/2 (12,70)
13RS034004	RS 34004	.355 (9,02)	.255 (6,48)	.130 (3,30)
13RS034005	RS 34005	.340 (8,64)	.279 (7,09)	.278 (7,06)
13RS034006	RS 34006	.343 (8,71)	.218 (5,53)	.625 (15,87)
13RS034007	RS 34007	.348 (8,83)	.290 (7,36)	.312 (7,92)
13RS034008	RS 34008	.343 (8,71)	.281 (7,13)	.312 (7,92)
13RS035453	RS 35453	.354 (8,99)	.172 (4,37)	.531 (13,49)
13RS036031	RS 36031	.360 (9,14)	.316 (8,03)	1/4 (6,35)
13RS036032	RS 36032	.360 (9,14)	.252 (6,40)	.425 (10,80)
13RS036033	RS 36033	.350 (8,89)	.200 (5,08)	.400 (10,16)
13RS036034	RS 36034	.363 (9,22)	.312 (7,92)	.312 (7,92)
13RS037030	RS 37030	.370 (9,40)	.265 (6,73)	5/32 (3,96)
13RS037031	RS 37031	.375 (9,53)	.254 (6,45)	.453 (11,51)
13RS037032	RS 37032	.372 (9,53)	.288 (7,32)	.969 (24,61)
13RS037033	RS 37033	3/8 (9,45)	.315 (8,00)	.162 (4,11)
13RS037034	RS 37034	.372 (9,45)	.314 (7,98)	.449 (11,40)
13RS037035	RS 37035	.375 (9,52)	.218 (5,53)	.469 (11,91)
13RS037041	RS 37041	.370 (9,40)	.194 (4,93)	.418 (10,62)
13RS037441	RS 37441	.374 (9,53)	.248 (6,30)	13/32 (10,32)
13RS037512	RS 37512	.375 (9,52)	.194 (4,92)	.184 (4,67)
13RS037513	RS 37513	.375 (9,53)	.194 (4,93)	.340 (8,64)
13RS037514	RS 37514	.376 (9,55)	.175 (4,45)	.150 (3,81)
13RS037515	RS 37515	.375 (9,53)	.219 (5,56)	5/32 (3,96)
13RS037516	RS 37516	.375 (9,53)	.252 (6,40)	.820 (20,83)
13RS037517	RS 37517	.375 (9,53)	.219 (5,56)	11/64 (4,36)
13RS037518	RS 37518	.375 (9,53)	.252 (6,40)	3/16 (4,75)
13RS037519	RS 37519	.380 (9,65)	.171 (4,34)	.275 (6,98)
13RS037520	RS 37520	.375 (9,53)	.219 (5,56)	13/64 (5,16)
13RS037521	RS 37521	.375 (9,53)	.218 (5,54)	7/16 (11,11)
13RS037522	RS 37522	.375 (9,53)	.220 (5,59)	3/8 (9,53)
13RS037523	RS 37523	3/8 (9,53)	.257 (6,53)	1/4 (6,35)
13RS037525	RS 37525	.375 (9,53)	.225 (5,72)	.250 (6,35)
13RS037534	RS 37534	.375 (9,53)	.140 (3,56)	11/32 (8,73)
13RS037536	RS 37536	.375 (9,53)	.255 (6,48)	.330 (8,38)

SPECIAL SPACERS

Molded in **Natural Nylon 6/6**

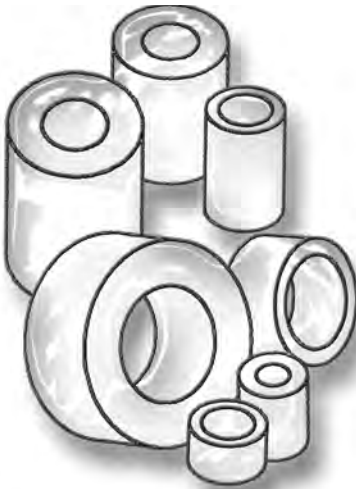
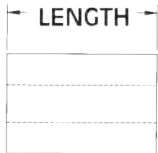
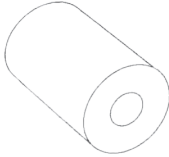
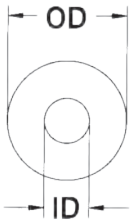


SPACERS

SECTION
V

SPECIAL SPACERS

Molded in **Natural Nylon 6/6**



ITEM NUMBER	DESCRIPTION	OD	ID	LENGTH
13RS037537	RS 37537	.374 (9,50)	.255 (6,48)	.511 (12,98)
13RS037538	RS 37538	.375 (9,53)	.255 (6,48)	.380 (9,65)
13RS037542	RS 37542	.375 (9,53)	.265 (6,73)	1/4 (6,35)
13RS037546	RS 37546	.375 (9,53)	.094 (2,39)	9/32 (7,14)
13RS037547	RS 37547	.375 (9,53)	.203 (5,16)	17/64 (6,74)
13RS037548	RS 37548	.375 (9,53)	.203 (5,16)	7/64 (2,78)
13RS037550	RS 37550	.375 (9,53)	.252 (6,40)	3/8 (9,53)
13RS037552	RS 37552	.375 (9,53)	.265 (6,73)	3/8 (9,53)
13RS037558	RS 37558	.375 (9,55)	.250 (6,35)	.630 (16,00)
13RS037559	RS 37559	.375 (9,53)	.250 (6,35)	.593 (15,06)
13RS037565	RS 37565	.375 (9,53)	.265 (6,73)	1/2 (12,70)
13RS037570	RS 37570	.375 (9,53)	.140 (3,56)	.700 (17,78)
13RS037571	RS 37571	.375 (9,53)	.255 (6,48)	.700 (17,78)
13RS037574	RS 37574	.375 (9,52)	.250 (6,35)	.859 (21,81)
13RS037575	RS 37575	.375 (9,53)	.265 (6,73)	7/8 (22,22)
13RS037580	RS 37580	.375 (9,53)	.265 (6,73)	1 (25,40)
13RS037585	RS 37585	.375 (9,53)	.257 (6,53)	1-1/4 (31,75)
13RS037586	RS 37586	.375 (9,53)	.165 (4,19)	2.000 (50,80)
13RS037590	RS 37590	.375 (9,53)	.265 (6,73)	3/4 (19,05)
13RS037591	RS 37591	.375 (9,53)	.140 (3,56)	.725 (18,42)
13RS037598	RS 37598	.375 (9,53)	.115 (2,92)	1-1/16 (27,00)
13RS037599	RS 37599	.375 (9,53)	.230 (5,84)	.925 (23,50)
13RS038035	RS 38035	.385 (9,77)	.285 (7,23)	.325 (8,25)
13RS038036	RS 38036	.384 (9,75)	.328 (8,33)	.312 (7,92)
13RS038037	RS 38037	.380 (9,65)	.250 (6,35)	.440 (11,18)
13RS038038	RS 38038	.380 (9,65)	.320 (8,13)	.382 (9,70)
13RS038039	RS 38039	.385 (9,78)	.254 (6,45)	.240 (6,10)
13RS038518	RS 38518	5/8 (15,88)	.385 (9,78)	.187 (4,75)
13RS038930	RS 38930	.389 (9,88)	.251 (6,38)	1/8 (3,18)
13RS038931	RS 38931	.389 (9,88)	.255 (6,48)	.132 (3,35)
13RS039315	RS 39315	.393 (9,98)	.151 (3,83)	1/4 (6,35)
13RS039342	RS 39342	.393 (9,98)	.169 (4,29)	15/64 (5,94)
13RS039343	RS 39343	.394 (10,01)	.248 (6,30)	.433 (11,00)
13RS039344	RS 39344	.394 (10,01)	.221 (1,24)	.984 (24,99)
13RS039459	RS 39459	.395 (10,03)	.320 (8,13)	.591 (15,01)
13RS040080	RS 40080	.400 (10,16)	.140 (3,56)	23/32 (18,25)
13RS040082	RS 40082	.430 (10,92)	.285 (7,24)	.400 (10,16)
13RS040083	RS 40083	.394 (10,01)	.169 (4,29)	.787 (19,99)
13RS040084	RS 40084	.420 (10,67)	.200 (5,08)	.500 (12,70)
13RS040085	RS 40085	.400 (10,16)	.140 (3,56)	25/32 (19,84)
13RS040086	RS 40086	.315 (8,00)	.165 (4,19)	.984 (24,99)
13RS040087	RS 40087	.430 (10,92)	.200 (5,08)	.500 (12,70)
13RS040088	RS 40088	.430 (10,92)	.285 (7,23)	.350 (8,89)
13RS040630	RS 40630	.406 (10,31)	.269 (6,83)	1/4 (6,35)
13RS040631	RS 40631	.406 (10,31)	.269 (6,83)	.305 (7,75)
13RS040632	RS 40632	.406 (10,31)	.269 (6,83)	.424 (10,76)
13RS040636	RS 40636	.406 (10,31)	.265 (6,73)	.562 (14,27)
13RS040637	RS 40637	.406 (10,31)	.265 (6,73)	.625 (15,88)
13RS040660	RS 40660	.406 (10,31)	.267 (6,78)	1/2 (12,70)
13RS040670	RS 40670	.406 (10,31)	.265 (6,73)	3/4 (19,05)
13RS040671	RS 40671	.406 (10,31)	.311 (7,90)	.591 (15,01)
13RS040675	RS 40675	.406 (10,31)	.280 (7,11)	3/8 (9,53)
13RS040685	RS 40685	.406 (10,31)	.265 (6,73)	1 (25,40)
13RS041500	RS 41500	.415 (10,54)	.320 (8,13)	.640 (16,26)
13RS041501	RS 41501	.415 (10,54)	.140 (3,56)	11/32 (8,71)
13RS042700	RS 42700	.427 (10,85)	.182 (4,62)	47/64 (18,64)
13RS042701	RS 42701	.433 (10,10)	.256 (6,50)	.220 (5,59)
13RS043722	RS 43722	.437 (11,09)	.198 (5,02)	.281 (7,13)
13RS043723	RS 43723	.438 (11,12)	.219 (5,56)	.375 (9,52)

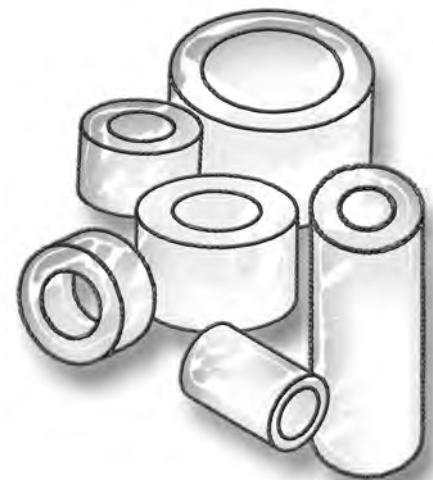
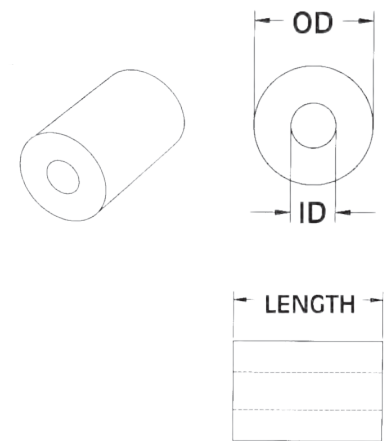
SPACERS

SECTION
V

ITEM NUMBER	DESCRIPTION	OD	ID	LENGTH
13RS043724	RS 43724	7/16 (11,11)	1/4 (6,35)	.394 (10,01)
13RS043725	RS 43725	7/16 (11,11)	1/4 (6,35)	.591 (15,01)
13RS043726	RS 43726	.437 (11,10)	.312 (7,92)	.350 (8,89)
13RS043727	RS 43727	.438 (11,13)	.325 (8,26)	.422 (10,72)
13RS043728	RS 43728	.437 (11,10)	.318 (8,08)	.281 (7,14)
13RS043729	RS 43729	7/16 (11,11)	.171 (4,34)	.655 (16,64)
13RS043730	RS 43730	.437 (11,10)	.318 (8,08)	.150 (3,81)
13RS044074	RS 44074	.437 (11,10)	.145 (3,68)	.875 (22,23)
13RS044075	RS 44075	7/16 (11,11)	.220 (5,59)	3/4 (19,05)
13RS044084	RS 44084	.420 (10,67)	.200 (5,59)	.500 (12,70)
13RS044086	RS 44086	.315 (8,00)	.165 (4,19)	.984 (24,99)
13RS044087	RS 44087	7/16 (11,11)	.220 (5,59)	7/8 (22,22)
13RS044109	RS 44109	7/16 (11,11)	.220 (5,59)	1 3/32 (27,78)
13RS044128	RS 44128	7/16 (11,11)	.220 (5,59)	1 9/32 (32,54)
13RS044150	RS 44150	7/16 (11,11)	.220 (5,59)	1 1/2 (38,10)
13RS044232	RS 44232	7/16 (11,11)	.220 (5,59)	2 5/16 (58,72)
13RS045040	RS 45040	.450 (11,43)	.325 (8,26)	27/64 (10,72)
13RS046060	RS 46060	.460 (11,68)	.252 (6,40)	9/16 (14,29)
13RS046061	RS 46061	.460 (11,68)	.400 (10,16)	.440 (11,18)
13RS046062	RS 46062	.454 (11,53)	.140 (3,56)	.344 (8,74)
13RS046319	RS 46319	.463 (11,76)	.190 (4,83)	5/16 (7,92)
13RS046500	RS 46500	.465 (11,81)	.382 (9,70)	.282 (7,16)
13RS046823	RS 46823	.468 (11,89)	.314 (7,98)	.230 (5,84)
13RS048011	RS 48011	.472 (11,99)	.195 (4,95)	.377 (9,58)
13RS048012	RS 48012	.470 (11,94)	.120 (3,05)	23/64 (9,12)
13RS048013	RS 48013	.472 (11,99)	.394 (10,01)	.787 (19,99)
13RS048015	RS 48015	.475 (12,06)	.191 (4,85)	21/64 (8,33)
13RS048016	RS 48016	.480 (12,19)	.257 (6,53)	3/16 (4,76)
13RS048017	RS 48017	.472 (11,99)	.323 (8,20)	.492 (12,50)
13RS048018	RS 48018	.455 (11,56)	.320 (8,13)	.512 (13,00)
13RS048420	RS 48420	.484 (12,29)	.343 (8,71)	3/16 (4,76)
13RS048421	RS 48421	.486 (12,34)	.320 (8,13)	.375 (9,53)
13RS050000	RS 50000	.500 (12,70)	.250 (6,35)	3.000 (76,2)
13RS050001	RS 50001	.500 (12,70)	.252 (6,40)	2.500 (63,50)
13RS050009	RS 50009	.500 (12,70)	.219 (5,56)	.649 (16,48)
13RS050010	RS 50010	.500 (12,70)	.320 (8,13)	.270 (6,86)
13RS050011	RS 50011	.500 (12,70)	.244 (6,20)	.295 (7,49)
13RS050012	RS 50012	.500 (12,70)	.325 (8,25)	.672 (17,07)
13RS050013	RS 50013	.500 (12,70)	.406 (10,31)	.449 (11,40)
13RS050014	RS 50014	.501 (12,72)	.249 (6,32)	.390 (9,91)
13RS050015	RS 50015	.500 (12,70)	.194 (4,93)	13/32 (10,31)
13RS050016	RS 50016	.500 (12,70)	.265 (6,73)	.156 (3,96)
13RS050017	RS 50017	.500 (12,70)	.265 (6,73)	.200 (5,08)
13RS050018	RS 50018	1/2 (12,70)	.257 (6,53)	15/64 (5,94)
13RS050019	RS 50019	.500 (12,70)	.195 (4,95)	.451 (13,74)
13RS050020	RS 50020	.500 (12,70)	.213 (5,41)	.250 (6,35)
13RS050021	RS 50021	1/2 (12,70)	.382 (9,70)	.625 (15,88)
13RS050022	RS 50022	.500 (12,70)	.260 (6,60)	1/4 (6,35)
13RS050023	RS 50023	.500 (12,70)	.281 (7,14)	13/16 (20,64)
13RS050024	RS 50024	.500 (12,70)	.220 (5,59)	.135 (3,43)
13RS050025	RS 50025	.500 (12,70)	.170 (4,32)	.255 (6,48)
13RS050027	RS 50027	.500 (12,70)	.170 (4,32)	.270 (6,86)
13RS050028	RS 50028	.500 (12,70)	.312 (7,93)	5/32 (3,97)
13RS050029	RS 50029	.500 (12,70)	.320 (8,12)	.320 (8,12)
13RS050031	RS 50031	.500 (12,70)	.382 (9,70)	.312 (7,92)
13RS050032	RS 50032	.500 (12,70)	.140 (3,55)	.600 (15,24)
13RS050040	RS 50040	.500 (12,70)	.344 (8,74)	13/16 (20,64)
13RS050041	RS 50041	.500 (12,70)	.375 (9,53)	.225 (5,72)
13RS050045	RS 50045	.500 (12,70)	.257 (6,53)	13/32 (10,31)

SPECIAL SPACERS

Molded in **Natural Nylon 6/6**



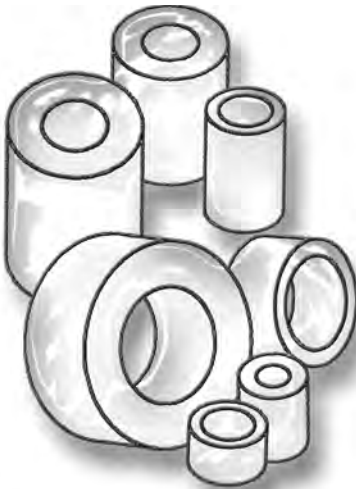
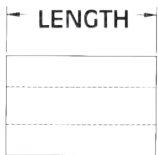
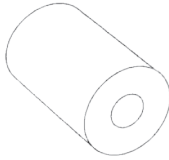
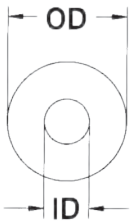
SPACERS

SECTION
V

SPECIAL SPACERS

Molded in **Natural Nylon 6/6**

**New
SIZES**



ITEM NUMBER	DESCRIPTION	OD	ID	LENGTH
13RS050046	RS 50046	1/2 (12,70)	.312 (7,93)	1-5/16 (33,33)
13RS050047	RS 50047	.500 (12,70)	.368 (9,34)	.470 (11,94)
13RS050048	RS 50048	.500 (12,70)	.310 (7,87)	.463 (11,76)
13RS050050	RS 50050	.500 (12,70)	.328 (8,33)	1 (25,40)
13RS050055	RS 50055	.500 (12,70)	.383 (9,73)	1/2 (12,70)
13RS050056	RS 50056	.500 (12,70)	.390 (9,92)	1/2 (12,70)
13RS050057	RS 50057	.500 (12,70)	.384 (9,75)	.665 (16,89)
13RS050059	RS 50059	.500 (12,70)	.384 (9,75)	.537 (13,64)
13RS050061	RS 50061	.500 (12,70)	.335 (8,51)	.209 (5,31)
13RS050062	RS 50062	.505 (12,83)	.385 (9,78)	5/32 (3,97)
13RS050063	RS 50063	.500 (12,70)	.285 (7,24)	.630 (16,00)
13RS050064	RS 50064	.683 (17,35)	.505 (12,83)	.500 (12,70)
13RS050065	RS 50065	.500 (12,70)	.395 (10,03)	.314 (7,98)
13RS050066	RS 50066	.500 (12,70)	.312 (7,92)	.540 (13,71)
13RS050070	RS 50070	.500 (12,70)	.316 (8,03)	1/2 (12,70)
13RS050071	RS 50071	.500 (12,70)	.316 (8,03)	15/64 (5,95)
13RS050072	RS 50072	.500 (12,70)	.315 (8,00)	.312 (7,92)
13RS050075	RS 50075	.500 (12,70)	.438 (11,12)	.750 (19,05)
13RS050080	RS 50080	.500 (12,70)	.380 (9,65)	27/64 (10,72)
13RS050082	RS 50082	.500 (12,70)	.375 (9,53)	7/16 (11,11)
13RS050085	RS 50085	.500 (12,70)	.281 (7,14)	3/8 (9,53)
13RS050088	RS 50088	.500 (12,70)	.260 (6,60)	1-5/8 (41,28)
13RS050089	RS 50089	.500 (12,70)	.375 (9,53)	.380 (9,65)
13RS050090	RS 50090	.500 (12,70)	.375 (9,53)	5/8 (15,88)
13RS050091	RS 50091	.500 (12,70)	.375 (9,53)	.635 (16,13)
13RS050092	RS 50092	.500 (12,70)	.440 (11,17)	.430 (10,92)
13RS050093	RS 50093	.500 (12,70)	.285 (7,24)	.930 (23,62)
13RS050094	RS 50094	.500 (12,70)	.375 (9,53)	11/16 (17,46)
13RS050095	RS 50095	.500 (12,70)	.385 (9,78)	1 (25,40)
13RS050096	RS 50096	.500 (12,70)	.260 (6,60)	1-3/8 (34,93)
13RS050097	RS 50097	.515 (13,08)	.445 (11,30)	.380 (9,65)
13RS050098	RS 50098	1/2 (12,70)	.375 (9,52)	.938 (23,83)
13RS050099	RS 50099	1/2 (12,70)	.250 (6,35)	2.125 (53,98)
13RS051001	RS 51001	.510 (12,95)	.390 (9,91)	1/4 (6,35)
13RS051002	RS 51002	.510 (12,95)	.271 (6,88)	.232 (5,89)
13RS051003	RS 51003	.516 (13,10)	.335 (8,50)	.453 (11,50)
13RS051062	RS 51062	.510 (12,95)	.320 (8,13)	7/8 (22,22)
13RS051063	RS 51063	1/2 (12,70)	.281 (7,14)	7/8 (22,23)
13RS052001	RS 52001	.518 (13,16)	.382 (9,70)	.280 (7,11)
13RS052002	RS 52002	.533 (13,54)	.219 (5,56)	.360 (9,14)
13RS053545	RS 53545	.540 (13,72)	.325 (8,26)	.475 (12,07)
13RS053546	RS 53546	.535 (13,59)	.250 (6,35)	.610 (15,49)
13RS056030	RS 56030	.560 (14,22)	.379 (9,63)	3/8 (9,53)
13RS056031	RS 56031	.562 (14,27)	.375 (9,53)	1/2 (12,70)
13RS056032	RS 56032	.563 (14,30)	.453 (11,51)	.281 (7,14)
13RS056033	RS 56033	.560 (14,22)	.280 (7,11)	.500 (12,70)
13RS056034	RS 56034	.563 (14,30)	.340 (8,64)	.310 (7,87)
13RS056035	RS 56035	.560 (14,22)	.390 (9,90)	.500 (12,70)
13RS056256	RS 56256	.555 (13,97)	.245 (6,22)	9/16 (14,29)
13RS056337	RS 56337	.563 (14,30)	.281 (7,14)	3/8 (9,53)
13RS056656	RS 56656	.565 (14,35)	.33 (8,38)	.56 (14,22)
13RS056718	RS 56718	.567 (14,40)	.318 (8,08)	35/64 (13,87)
13RS056740	RS 56740	.567 (14,40)	.437 (11,10)	.406 (10,31)
13RS057032	RS 57032	.570 (14,48)	.320 (8,13)	35/64 (13,87)
13RS057033	RS 57033	.589 (14,96)	.312 (7,92)	.310 (7,87)
13RS057035	RS 57035	.591 (15,01)	.256 (6,50)	.335 (8,51)
13RS059031	RS 59031	.590 (14,99)	.314 (7,98)	23/64 (9,12)
13RS059032	RS 59032	.590 (14,99)	.319 (8,10)	.655 (16,64)
13RS059033	RS 59033	.590 (14,99)	.236 (5,99)	.310 (7,87)

SPACERS

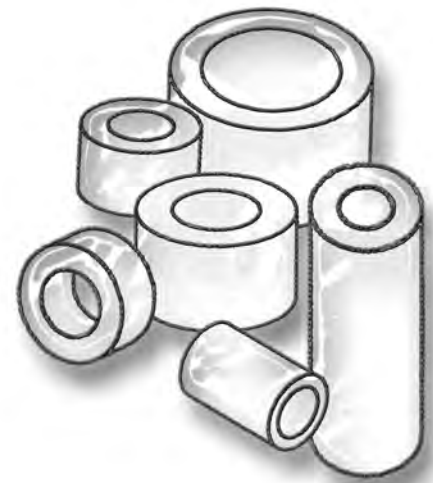
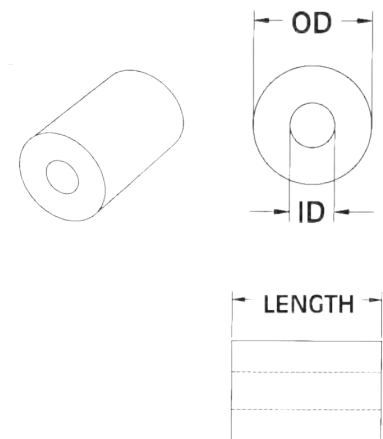
SECTION
V

ITEM NUMBER	DESCRIPTION	OD	ID	LENGTH
13RS060550	RS 60550	.606 (15,39)	.203 (5,16)	5/8 (15,88)
13RS060551	RS 60551	.602 (15,29)	.250 (6,35)	.622 (15,80)
13RS060552	RS 60552	.600 (15,24)	.325 (8,25)	.421 (10,69)
13RS061018	RS 61018	.615 (15,62)	.385 (9,78)	3/16 (4,76)
13RS061019	RS 61019	.615 (15,62)	.325 (8,26)	.813 (20,65)
13RS061020	RS 61020	.615 (15,62)	.328 (8,33)	.438 (11,13)
13RS061021	RS 61021	.375 (9,52)	.210 (5,33)	.610 (15,49)
13RS061731	RS 61731	.617 (15,67)	.313 (7,95)	11/16 (17,46)
13RS062012	RS 62012	.620 (15,75)	.350 (8,89)	3/16 (4,76)
13RS062035	RS 62035	.620 (15,75)	.507 (12,89)	1-11/16 (42,85)
13RS062040	RS 62040	.620 (15,75)	.504 (12,80)	13/16 (20,64)
13RS062062	RS 62062	.620 (15,75)	.504 (12,80)	.625 (15,88)
13RS062331	RS 62331	.623 (15,82)	.311 (7,90)	13/16 (20,64)
13RS062513	RS 62513	.625 (15,87)	.320 (8,12)	.375 (9,52)
13RS062514	RS 62514	.625 (15,88)	.160 (4,06)	.312 (7,92)
13RS062515	RS 62515	.620 (15,75)	.323 (8,20)	5/32 (3,96)
13RS062516	RS 62516	5/8 (15,88)	.312 (7,92)	3/4 (19,05)
13RS062517	RS 62517	.621 (15,77)	.254 (6,45)	.652 (16,56)
13RS062519	RS 62519	.625 (15,88)	.191 (4,85)	1/4 (6,35)
13RS062520	RS 62520	.63 (16,00)	.50 (12,70)	1-1/4 (31,75)
13RS062521	RS 62521	.625 (15,88)	.140 (3,56)	.375 (9,53)
13RS062522	RS 62522	.625 (15,88)	.435 (11,10)	1/4 (6,35)
13RS062523	RS 62523	.635 (16,13)	.385 (9,78)	.230 (5,84)
13RS062524	RS 62524	.625 (15,88)	.412 (10,46)	.155 (3,94)
13RS062525	RS 62525	.625 (15,88)	.390 (9,91)	1/4 (6,35)
13RS062526	RS 62526	.625 (15,88)	.380 (9,65)	.750 (19,05)
13RS062527	RS 62527	.625 (15,88)	.328 (8,33)	.250 (6,35)
13RS062528	RS 62528	.625 (15,88)	.280 (7,11)	7/16 (11,10)
13RS062529	RS 62529	.625 (15,88)	.390 (9,91)	.437 (11,11)
13RS062530	RS 62530	.610 (15,49)	.250 (6,35)	3/8 (9,53)
13RS062531	RS 62531	.625 (15,88)	.260 (6,60)	1/4 (6,35)
13RS062532	RS 62532	.625 (15,87)	.281 (7,14)	.562 (14,27)
13RS062533	RS 62533	.625 (15,87)	.500 (12,7)	1.625 (41,27)
13RS062534	RS 62534	.620 (15,75)	.383 (9,73)	.562 (14,27)
13RS062535	RS 62535	.625 (15,88)	.500 (12,70)	5/16 (7,94)
13RS062536	RS 62536	.625 (15,88)	.500 (12,70)	.375 (9,52)
13RS062537	RS 62537	.625 (15,88)	.342 (8,69)	3/8 (9,53)
13RS062538	RS 62538	.627 (15,93)	.484 (12,29)	.467 (11,86)
13RS062539	RS 62539	.625 (15,88)	.503 (12,78)	.207 (5,26)
13RS062540	RS 62540	.625 (15,88)	.375 (9,53)	3/8 (9,53)
13RS062541	RS 62541	.625 (15,88)	.312 (7,92)	.500 (12,70)
13RS062542	RS 62542	.630 (16,00)	.373 (9,47)	.462 (11,73)
13RS062546	RS 62546	.625 (15,88)	.375 (9,53)	.462 (11,73)
13RS062547	RS 62547	.625 (15,88)	.315 (8,00)	.312 (7,92)
13RS062550	RS 62550	.613 (15,57)	.281 (7,14)	1/2 (12,70)
13RS062551	RS 62551	.625 (15,87)	.173 (4,39)	.250 (6,35)
13RS062560	RS 62560	.615 (15,62)	.281 (7,14)	13/16 (20,64)
13RS062561	RS 62561	.625 (15,88)	.386 (9,80)	5/8 (15,88)
13RS062565	RS 62565	.625 (15,88)	.450 (11,43)	5/8 (15,88)
13RS062570	RS 62570	.635 (16,13)	.425 (10,80)	7/8 (22,22)
13RS062571	RS 62571	.625 (15,88)	.450 (11,43)	7/8 (22,22)
13RS062572	RS 62572	.618 (15,70)	.500 (12,70)	31/64 (12,29)
13RS062573	RS 62573	.625 (15,88)	.386 (9,80)	.738 (18,75)
13RS062575	RS 62575	.625 (15,88)	.500 (12,70)	1.000 (25,40)
13RS062580	RS 62580	.625 (15,88)	.257 (6,53)	1/8 (3,18)
13RS062581	RS 62581	.625 (15,88)	.275 (6,98)	.250 (6,35)
13RS062582	RS 62582	.625 (15,88)	.375 (9,53)	.082 (2,08)
13RS062583	RS 62583	.634 (16,10)	.434 (11,02)	.380 (9,65)
13RS062584	RS 62584	5/8 (15,88)	.380 (9,65)	1 1/4 (31,75)

SPECIAL SPACERS

Molded in **Natural Nylon 6/6**

New
SIZES



SPACERS

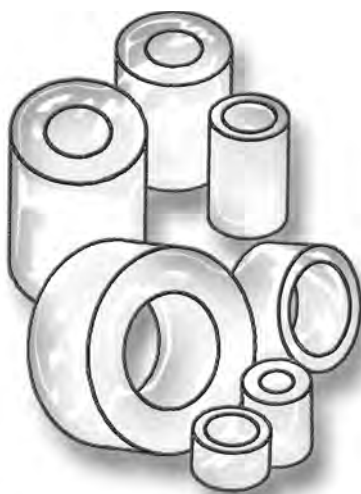
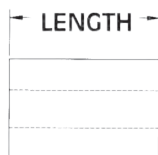
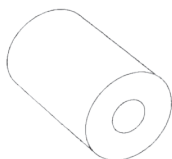
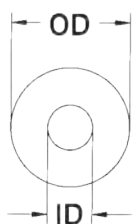
SECTION

V

SPECIAL SPACERS

Molded in Natural Nylon 6/6

New
SIZES



ITEM NUMBER	DESCRIPTION	OD	ID	LENGTH
13RS062585	RS 62585	.625 (15,88)	.250 (6,35)	1.500 (38,10)
13RS062586	RS 62586	.625 (15,87)	.250 (6,35)	1.000 (25,40)
13RS062587	RS 62587	.625 (15,87)	.250 (6,35)	.625 (15,87)
13RS062589	RS 62589	.625 (15,87)	.250 (6,35)	.500 (12,70)
13RS062591	RS 62591	.630 (16,00)	.350 (8,89)	.200 (5,08)
13RS062592	RS 62592	.630 (16,00)	.205 (5,21)	.984 (24,99)
13RS062593	RS 62593	.625 (15,88)	.520 (13,21)	.218 (5,54)
13RS062594	RS 62594	.625 (15,87)	.340 (8,63)	.422 (10,71)
13RS062650	RS 62650	.620 (15,75)	.507 (12,89)	1/2 (12,70)
13RS063050	RS 63050	.630 (16,00)	.378 (9,60)	.50 (12,70)
13RS063051	RS 63051	.630 (16,00)	.512 (13,00)	.354 (8,99)
13RS063550	RS 63550	.635 (16,13)	.520 (13,21)	.500 (12,70)
13RS063551	RS 63551	.639 (16,23)	.515 (13,08)	.563 (14,30)
13RS063564	RS 63564	.913 (23,19)	.635 (16,13)	.641 (16,28)
13RS064057	RS 64057	.640 (16,26)	.327 (8,31)	.560 (14,22)
13RS065650	RS 65650	.656 (16,66)	.516 (13,11)	1/2 (12,70)
13RS065830	RS 65830	.648 (16,50)	.280 (7,11)	23/64 (9,12)
13RS066850	RS 66850	.668 (16,97)	.506 (12,85)	15/16 (23,81)
13RS066851	RS 66851	.670 (17,02)	.350 (8,90)	.200 (5,08)
13RS068711	RS 68711	.687 (17,45)	.260 (6,60)	.457 (11,61)
13RS068712	RS 68712	.687 (17,45)	.156 (3,96)	1/8 (3,18)
13RS068714	RS 68714	.691 (17,55)	.519 (13,18)	.750 (19,05)
13RS069038	RS 69038	.680 (17,27)	.600 (15,24)	.56 (14,22)
13RS069039	RS 69039	.680 (17,27)	.390 (9,91)	5/8 (15,88)
13RS070082	RS 70082	.698 (17,73)	.333 (8,46)	.596 (15,14)
13RS070086	RS 70086	.700 (17,78)	.335 (8,51)	.866 (22,00)
13RS070087	RS 70087	.715 (18,16)	.520 (13,20)	.380 (9,65)
13RS071820	RS 71820	.718 (18,24)	.526 (13,36)	7/32 (5,55)
13RS071821	RS 71821	.720 (18,29)	.392 (9,96)	.230 (5,84)
13RS071823	RS 71823	.709 (18,00)	.524 (13,30)	.295 (7,49)
13RS071828	RS 71828	.718 (18,24)	.526 (13,36)	9/32 (7,14)
13RS072050	RS 72050	.720 (18,29)	.515 (13,08)	.49 (12,45)
13RS072051	RS 72051	.716 (18,19)	.420 (10,67)	.433 (11,00)
13RS073030	RS 73030	.730 (18,54)	.263 (6,68)	.295 (7,49)
13RS075008	RS 75008	.750 (19,05)	.315 (8,00)	.875 (22,23)
13RS075009	RS 75009	.750 (19,05)	.320 (8,13)	.500 (12,70)
13RS075010	RS 75010	.750 (19,05)	.280 (7,11)	.440 (11,18)
13RS075011	RS 75011	.754 (19,15)	.531 (13,49)	.451 (11,46)
13RS075012	RS 75012	3/4 (19,05)	.260 (6,60)	.758 (19,25)
13RS075013	RS 75013	.750 (19,05)	.255 (6,48)	.290 (7,37)
13RS075014	RS 75014	.750 (19,05)	.631 (16,03)	.440 (11,18)
13RS075015	RS 75015	.750 (19,05)	.145 (3,68)	.875 (22,23)
13RS075016	RS 75016	.750 (19,05)	.260 (6,60)	.591 (15,01)
13RS075017	RS 75017	.750 (19,05)	.490 (12,44)	.800 (20,32)
13RS075018	RS 75018	.750 (19,05)	.645 (16,38)	.437 (11,10)
13RS075020	RS 75020	.740 (18,80)	.250 (6,35)	1/4 (6,35)
13RS075021	RS 75021	.744 (18,90)	.397 (10,08)	.371 (9,42)
13RS075022	RS 75022	.745 (18,92)	.387 (9,83)	.187 (4,75)
13RS075023	RS 75023	.752 (19,10)	.480 (12,19)	.226 (5,74)
13RS075024	RS 75024	3/4 (19,05)	.315 (8,00)	5/16 (7,94)
13RS075025	RS 75025	.750 (19,05)	.258 (6,55)	7/16 (11,10)
13RS075026	RS 75026	.750 (19,05)	.260 (6,60)	.375 (9,53)
13RS075027	RS 75027	3/4 (19,05)	5/16 (7,94)	9/16 (14,29)
13RS075028	RS 75028	3/4 (19,05)	.266 (6,76)	5/16 (7,94)
13RS075029	RS 75029	.750 (19,05)	.370 (9,40)	11/32 (8,71)
13RS075030	RS 75030	.750 (19,05)	.406 (10,32)	.562 (14,27)
13RS075031	RS 75031	.750 (19,05)	.315 (8,00)	.187 (4,75)
13RS075032	RS 75032	.750 (19,05)	.385 (9,78)	13/64 (5,16)
13RS075033	RS 75033	3/4 (19,05)	1/4 (6,35)	3/16 (4,76)

SPACERS

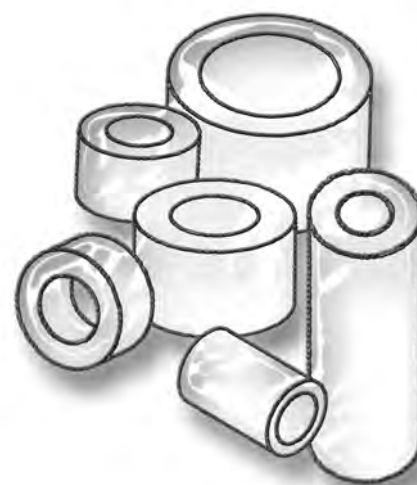
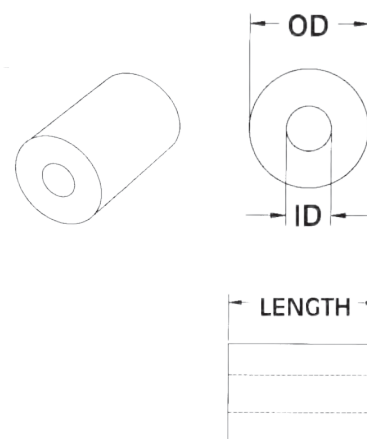
SECTION
V

ITEM NUMBER	DESCRIPTION	OD	ID	LENGTH
13RS075034	RS 75034	.750 (19,05)	.515 (13,08)	.340 (8,64)
13RS075035	RS 75035	.750 (19,05)	.245 (6,25)	.361 (9,17)
13RS075036	RS 75036	.750 (19,05)	.312 (7,92)	.938 (23,82)
13RS075037	RS 75037	.745 (18,92)	.250 (6,35)	3/8 (9,53)
13RS075038	RS 75038	.750 (19,05)	.375 (9,53)	.343 (8,71)
13RS075039	RS 75039	.750 (19,05)	.490 (12,45)	3/8 (9,53)
13RS075040	RS 75040	.750 (19,05)	.323 (8,20)	.250 (6,35)
13RS075041	RS 75041	.740 (18,80)	.390 (9,91)	1 (25,40)
13RS075042	RS 75042	.750 (19,05)	.260 (6,60)	.625 (15,88)
13RS075043	RS 75043	.740 (18,80)	.310 (7,87)	.437 (11,10)
13RS075044	RS 75044	1-3/4 (44,45)	5/8 (15,88)	1/4 (6,35)
13RS075045	RS 75045	.745 (18,92)	.385 (9,78)	5/16 (7,92)
13RS075046	RS 75046	.750 (19,05)	.460 (11,68)	1/4 (6,35)
13RS075047	RS 75047	3/4 (19,05)	.380 (9,65)	.472 (11,99)
13RS075048	RS 75048	.750 (19,05)	.250 (6,35)	.500 (12,70)
13RS075049	RS 75049	.750 (19,05)	.312 (7,92)	.250 (6,35)
13RS075050	RS 75050	.750 (19,05)	.344 (8,74)	.500 (12,70)
13RS075051	RS 75051	3/4 (19,05)	.260 (6,60)	1 (25,40)
13RS075052	RS 75052	.750 (19,05)	.250 (6,35)	.878 (22,30)
13RS075053	RS 75053	.750 (19,05)	.437 (11,10)	.500 (12,70)
13RS075054	RS 75054	.750 (19,05)	.380 (9,65)	.850 (21,59)
13RS075055	RS 75055	.735 (18,67)	.360 (9,14)	.585 (14,86)
13RS075056	RS 75056	.741 (18,82)	.433 (10,99)	.350 (8,89)
13RS075057	RS 75057	.750 (19,05)	.520 (13,20)	.500 (12,70)
13RS075058	RS 75058	.750 (19,05)	.140 (3,55)	.500 (12,70)
13RS075059	RS 75059	.750 (19,05)	.173 (4,39)	.250 (6,35)
13RS075060	RS 75060	.750 (19,05)	.350 (8,89)	.375 (9,52)
13RS075062	RS 75062	.750 (19,05)	.320 (8,12)	.625 (15,87)
13RS075065	RS 75065	3/4 (19,05)	.260 (6,60)	9/16 (14,29)
13RS075066	RS 75066	3/4 (19,05)	.375 (9,53)	.625 (15,88)
13RS075070	RS 75070	.750 (19,05)	.510 (12,95)	.700 (17,78)
13RS075071	RS 75071	.750 (19,05)	.510 (12,95)	.375 (9,53)
13RS075074	RS 75074	.750 (19,05)	.194 (4,92)	.750 (19,05)
13RS075075	RS 75075	3/4 (19,05)	.320 (8,13)	3/4 (19,05)
13RS075076	RS 75076	.750 (19,05)	.320 (8,13)	1 (25,40)
13RS075077	RS 75077	.755 (19,18)	.400 (10,16)	.290 (7,73)
13RS075078	RS 75078	.750 (19,05)	.344 (8,74)	.250 (6,35)
13RS075079	RS 75079	.750 (19,05)	.200 (5,08)	1.000 (25,40)
13RS075080	RS 75080	.750 (19,05)	.260 (6,60)	.500 (12,70)
13RS075081	RS 75081	3/4 (19,05)	3/8 (9,53)	3/8 (9,53)
13RS075082	RS 75082	3/4 (19,05)	13/64 (5,16)	.100 (2,54)
13RS075083	RS 75083	.754 (19,15)	.386 (9,80)	.376 (9,55)
13RS075084	RS 75084	.750 (19,05)	.390 (9,91)	.375 (9,53)
13RS075085	RS 75085	.750 (19,05)	.266 (6,75)	.417 (10,69)
13RS075086	RS 75086	.760 (19,30)	.401 (10,19)	.600 (15,24)
13RS075087	RS 75087	.750 (19,05)	.327 (8,31)	.188 (4,78)
13RS075088	RS 75088	.750 (19,05)	.187 (4,75)	.500 (12,70)
13RS075089	RS 75089	.750 (19,05)	.390 (9,91)	1.500 (38,10)
13RS075990	RS 75990	.760 (19,30)	.394 (10,01)	.910 (23,11)
13RS075991	RS 75991	.780 (19,81)	.501 (12,73)	.205 (5,21)
13RS077530	RS 77530	.775 (19,69)	.507 (12,89)	1/4 (6,35)
13RS077531	RS 77531	.770 (19,56)	.434 (11,02)	.377 (9,58)
13RS077532	RS 77532	.797 (20,24)	.705 (17,90)	.815 (20,70)
13RS081045	RS 81045	.803 (20,40)	.520 (13,21)	1/2 (12,70)
13RS081046	RS 81046	.803 (20,40)	.520 (13,21)	.375 (9,53)
13RS081222	RS 81222	.812 (20,63)	.312 (7,93)	1/8 (3,18)
13RS081223	RS 81223	.812 (20,63)	.403 (10,24)	.250 (6,35)
13RS081224	RS 81224	.812 (20,63)	.403 (10,24)	.710 (18,03)
13RS081225	RS 81225	.805 (20,45)	.688 (17,48)	.500 (12,70)

SPECIAL SPACERS

Molded in Natural Nylon 6/6

New
SIZES

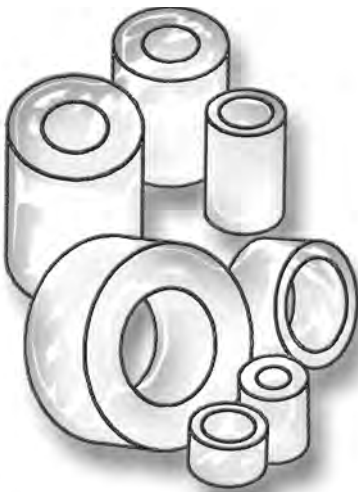
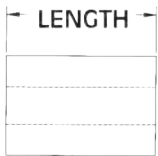
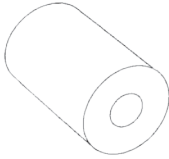
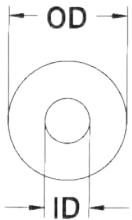


SPACERS

SECTION
V

SPECIAL SPACERS

Molded in Natural Nylon 6/6



ITEM NUMBER	DESCRIPTION	OD	ID	LENGTH
13RS081226	RS 81226	.805 (20,45)	.323 (8,20)	.500 (12,70)
13RS081227	RS 81227	.805 (20,45)	.718 (18,24)	.500 (12,70)
13RS081228	RS 81228	.805 (20,45)	.703 (17,86)	.500 (12,70)
13RS081262	RS 81262	.825 (20,95)	.203 (5,16)	5/8 (15,88)
13RS081263	RS 81263	.825 (20,95)	.257 (6,53)	.370 (9,40)
13RS083531	RS 83531	.835 (21,21)	.540 (13,72)	.188 (4,78)
13RS087532	RS 87532	.875 (22,23)	.315 (8,00)	.438 (11,12)
13RS084101	RS 84101	.841 (21,36)	.605 (15,37)	.600 (15,24)
13RS084102	RS 84102	.840 (21,34)	.526 (13,36)	.502 (12,75)
13RS087045	RS 87045	.870 (22,10)	.531 (13,49)	25/64 (9,91)
13RS087046	RS 87046	.866 (22,00)	1/4 (6,35)	.394 (10,01)
13RS087047	RS 87047	.870 (22,10)	.610 (15,49)	.500 (12,70)
13RS087532	RS 87532	.875 (22,23)	.315 (8,00)	.438 (11,12)
13RS087533	RS 87533	.875 (22,22)	.385 (9,77)	.275 (6,98)
13RS087535	RS 87535	.870 (22,09)	.370 (9,39)	.500 (12,70)
13RS087536	RS 87536	.870 (22,10)	.527 (13,39)	.875 (22,23)
13RS087537	RS 87537	.875 (22,23)	.330 (8,38)	.375 (9,53)
13RS087539	RS 87539	.875 (22,23)	.375 (9,53)	.312 (7,92)
13RS087540	RS 87540	.875 (22,23)	.265 (6,73)	.375 (9,53)
13RS087541	RS 87541	.875 (22,23)	.325 (8,26)	.250 (6,35)
13RS087542	RS 87542	.875 (22,23)	.265 (6,73)	.250 (6,35)
13RS087543	RS 87543	.865 (21,97)	.494 (12,55)	.373 (9,47)
13RS087544	RS 87544	.875 (22,23)	.316 (8,03)	.875 (22,23)
13RS087550	RS 87550	.875 (22,23)	.251 (6,38)	.625 (15,88)
13RS087551	RS 87551	.875 (22,23)	.265 (6,73)	.156 (3,96)
13RS087553	RS 87553	.880 (22,35)	.650 (16,51)	.750 (19,05)
13RS087554	RS 87554	.878 (22,30)	.753 (19,13)	.495 (12,57)
13RS087555	RS 87555	.875 (22,23)	.280 (7,11)	.500 (12,70)
13RS087556	RS 87556	.875 (22,23)	.265 (6,73)	3/4 (19,05)
13RS087557	RS 87557	7/8 (22,23)	27/64 (10,72)	3/8 (9,53)
13RS089036	RS 89036	.880 (22,35)	.515 (13,08)	.375 (9,53)
13RS089037	RS 89037	.885 (22,48)	.438 (11,13)	.370 (9,40)
13RS089038	RS 89038	.907 (23,04)	.780 (19,81)	.315 (8,00)
13RS091775	RS 91775	.917 (23,29)	.785 (19,94)	.750 (19,05)
13RS091776	RS 91776	.918 (21,28)	.838 (21,28)	1.125 (28,57)
13RS094550	RS 94550	.946 (24,03)	.248 (6,30)	.500 (12,70)
13RS094551	RS 94551	.984 (24,99)	.509 (12,93)	.984 (24,99)
13RS097518	RS 97518	.975 (24,76)	.390 (9,91)	1.180 (29,97)
13RS098528	RS 98528	.985 (25,02)	.285 (7,24)	1/4 (6,35)
13RS098550	RS 98550	.980 (24,89)	.352 (8,84)	1/2 (12,70)
13RS098551	RS 98551	1" (25,40)	5/16 (7,94)	1/4 (6,35)
13RS098552	RS 98552	1" (25,40)	.328 (8,33)	1.000 (25,40)
13RS098553	RS 98553	.984 (24,99)	.650 (16,51)	.492 (12,50)
13RS098554	RS 98554	.984 (24,99)	.604 (15,34)	.312 (7,92)
13RS099000	RS 99000	.993 (25,22)	.730 (18,54)	.346 (8,78)
13RS099001	RS 99001	.993 (25,22)	.730 (18,54)	.176 (4,47)
13RS100007	RS 100007	1.000 (25,40)	.380 (9,65)	.470 (11,93)
13RS100008	RS 100008	1" (25,40)	.450 (11,43)	.219 (5,56)
13RS100009	RS 100009	1" (25,40)	.530 (13,46)	.500 (12,70)
13RS100010	RS 100010	1.000 (25,40)	.650 (16,51)	.373 (9,47)
13RS100011	RS 100011	.998 (23,35)	.523 (13,28)	.453 (11,51)
13RS100012	RS 100012	1.00 (25,40)	.250 (6,35)	1/8 (3,18)
13RS100013	RS 100013	.990 (25,15)	.344 (8,74)	5/16 (7,92)
13RS100014	RS 100014	1.00 (25,40)	.260 (6,60)	3/8 (9,53)
13RS100015	RS 100015	1.000 (25,40)	.344 (8,74)	.435 (11,05)
13RS100016	RS 100016	1.000 (25,40)	.265 (6,73)	.188 (4,78)
13RS100018	RS 100018	1.00 (25,40)	.250 (6,35)	3/16 (4,76)
13RS100020	RS 100020	.990 (25,15)	.187 (4,75)	1/4 (6,35)
13RS100021	RS 100021	1" (25,40)	.250 (6,35)	1/4 (6,35)

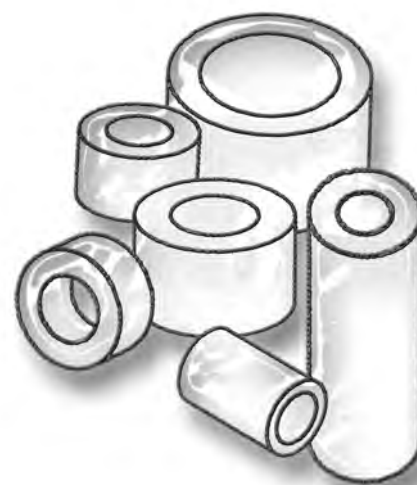
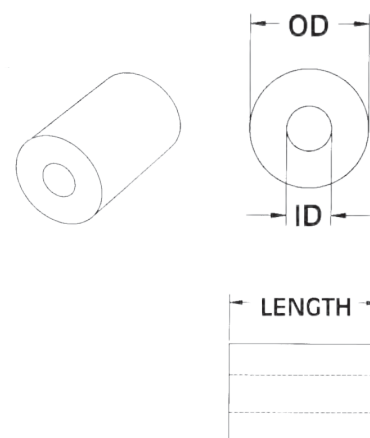
SPACERS

SECTION
V

ITEM NUMBER	DESCRIPTION	OD	ID	LENGTH
13RS100022	RS 100022	1.00 (25,40)	.375 (9,53)	.800 (20,32)
13RS100024	RS 100024	1.000 (25,40)	.375 (9,53)	.250 (6,35)
13RS100025	RS 100025	1.00 (25,40)	.915 (23,24)	1/4 (6,35)
13RS100026	RS 100026	1.00 (25,40)	.250 (6,35)	7/16 (11,10)
13RS100027	RS 100027	1.000 (25,40)	.760 (19,30)	.343 (8,71)
13RS100030	RS 100030	1.00 (25,40)	.250 (6,35)	.225 (5,72)
13RS100031	RS 100031	1.00 (25,40)	.517 (13,13)	.375 (9,52)
13RS100032	RS 100032	1.000 (25,40)	.505 (12,83)	.250 (6,35)
13RS100033	RS 100033	1.000 (25,40)	.328 (8,35)	.500 (12,70)
13RS100034	RS 100034	1.000 (25,40)	.500 (12,70)	.750 (19,05)
13RS100035	RS 100035	1.000 (25,40)	.313 (7,95)	.500 (12,70)
13RS100036	RS 100036	1.000 (25,40)	.385 (9,78)	.340 (8,64)
13RS100037	RS 100037	1.00 (25,40)	.385 (9,78)	3/8 (9,53)
13RS100038	RS 100038	1.00 (25,40)	.200 (5,08)	3/8 (9,53)
13RS100039	RS 100039	1.000 (25,40)	.193 (4,90)	.250 (6,35)
13RS100043	RS 100043	1.00 (25,40)	.406 (10,31)	7/16 (11,10)
13RS100050	RS 100050	1.00 (25,40)	.755 (19,18)	13/64 (5,16)
13RS100051	RS 100051	1.00 (25,40)	.643 (16,33)	.500 (12,70)
13RS100052	RS 100052	1" (25,40)	15/32 (11,91)	9/16 (14,29)
13RS100053	RS 100053	1.000 (25,40)	.510 (12,93)	.590 (14,99)
13RS100054	RS 100054	1.00 (25,40)	.375 (9,53)	.50 (12,70)
13RS100055	RS 100055	1.080 (27,43)	.950 (24,13)	.875 (22,23)
13RS100056	RS 100056	1.00 (25,40)	.765 (19,43)	9/16 (14,29)
13RS100057	RS 100057	1.18 (29,97)	.250 (6,35)	.217 (5,51)
13RS100058	RS 100058	.984 (24,99)	.366 (9,29)	3/8 (9,53)
13RS100059	RS 100059	1.000 (25,40)	.517 (13,13)	.687 (17,45)
13RS100060	RS 100060	.987 (25,07)	.500 (12,70)	3/8 (9,53)
13RS100061	RS 100061	1.000 (25,40)	.517 (13,13)	.312 (7,92)
13RS100062	RS 100062	1.000 (25,40)	.562 (14,27)	.910 (23,11)
13RS100063	RS 100063	1.125 (28,58)	.515 (13,08)	.388 (9,86)
13RS100064	RS 100064	1.000 (25,40)	.568 (14,43)	1.119 (28,42)
13RS100065	RS 100065	1.003 (25,47)	.561 (14,24)	.623 (15,82)
13RS100555	RS 100555	.986 (25,04)	.375 (9,53)	1/4 (6,35)
13RS105720	RS 105720	1.057 (26,85)	.812 (20,63)	1/8 (3,18)
13RS106212	RS 106212	1.055 (26,80)	.740 (18,80)	3/16 (4,76)
13RS112027	RS 112027	1.120 (28,45)	1.015 (25,78)	.375 (9,53)
13RS112028	RS 112028	1.120 (28,45)	.281 (7,14)	7/16 (11,10)
13RS112030	RS 112030	1.240 (31,50)	.505 (12,83)	.500 (12,70)
13RS112031	RS 112031	1 1/4 (31,75)	.531 (13,49)	1/2 (12,70)
13RS119600	RS 119600	1.190 (30,23)	.315 (8,00)	.600 (15,24)
13RS125075	RS 125075	1-1/4 (31,75)	.177 (4,50)	5/8 (15,88)
13RS125076	RS 125076	1.250 (31,75)	.443 (11,25)	.250 (6,35)
13RS125080	RS 125080	1.250 (31,75)	.642 (16,31)	.082 (2,08)
13RS125081	RS 125081	1.250 (31,75)	.875 (22,22)	9/16 (14,29)
13RS125082	RS 125082	1.25 (31,75)	.255 (6,48)	.531 (13,49)
13RS125083	RS 125083	1.250 (31,75)	.880 (22,35)	.330 (8,38)
13RS125084	RS 125084	1.250 (31,75)	.755 (19,17)	.250 (6,35)
13RS125085	RS 125085	1.250 (31,75)	.900 (22,86)	.500 (12,70)
13RS125250	RS 125250	1.240 (31,50)	.312 (7,93)	1/4 (7,92)
13RS125311	RS 125311	1-1/4 (31,75)	.177 (4,50)	9/16 (14,29)
13RS125312	RS 125312	1.250 (31,75)	.510 (12,95)	5/16 (6,35)
13RS125313	RS 125313	1.239 (31,47)	.761 (19,33)	9/16 (14,29)
13RS125384	RS 125384	1.250 (31,75)	.384 (9,75)	.375 (9,52)
13RS125385	RS 125385	1.250 (31,75)	.200 (5,08)	.380 (9,65)
13RS125387	RS 125387	1.25 (31,75)	.380 (9,65)	.38 (9,65)
13RS125500	RS 125500	1.24 (31,50)	.307 (7,80)	1/2 (12,70)
13RS125501	RS 125501	1.250 (31,75)	.400 (10,16)	5/8 (15,88)
13RS125750	RS 125750	1 1/4 (31,75)	17/64 (6,76)	.750 (19,05)
13RS125751	RS 125751	1.250 (31,75)	.390 (9,91)	.500 (12,70)

SPECIAL SPACERS

Molded in Natural Nylon 6/6



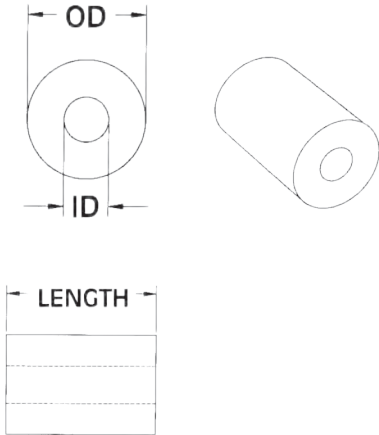
SPACERS

SECTION
V

New
SIZES

SPECIAL SPACERS

Molded in Natural Nylon 6/6



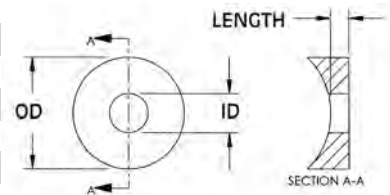
ITEM NUMBER	DESCRIPTION	OD		ID		LENGTH	
13RS126210	RS 126210	1.262	(32,05)	1.043	(26,49)	.950	(24,13)
13RS126211	RS 126211	1.142	(29,00)	1.051	(26,69)	.502	(12,75)
13RS132056	RS 132056	1.320	(33,53)	1.031	(26,19)	.562	(14,27)
13RS131255	RS 131255	1.312	(33,33)	1.078	(27,38)	3/4	(19,05)
13RS131256	RS 131256	1-5/16	(33,33)	.385	(9,78)	.100	(2,54)
13RS137520	RS 137520	1.375	(33,33)	.656	(16,66)	1/8	(3,18)
13RS137521	RS 137521	1.375	(34,93)	.766	(19,46)	.156	(3,96)
13RS137522	RS 137522	1.375	(34,93)	.795	(20,19)	.400	(10,16)
13RS146050	RS 146050	1.460	(37,08)	.521	(13,23)	.500	(12,70)
13RS150011	RS 150011	1.500	(38,10)	1.187	(30,15)	23/64	(9,13)
13RS150050	RS 150050	1.50	(38,10)	1.02	(25,91)	.50	(12,70)
13RS150051	RS 150051	1 1/2	(38,10)	.397	(10,08)	1/2	(12,70)
13RS162590	RS 162590	1.625	(41,28)	1.388	(35,26)	3/32	(2,38)
13RS162591	RS 162591	1 1/16	(26,99)	.680	(17,27)	.200	(5,08)
13RS162592	RS 162592	1.062	(26,97)	.250	(6,35)	.280	(7,11)
13RS175032	RS 175032	1.750	(44,45)	.928	(23,57)	9/32	(7,14)
13RS175050	RS 175050	1.750	(44,45)	1.140	(28,96)	.500	(12,70)
13RS187509	RS 187509	1.188	(30,18)	.813	(20,65)	.250	(6,35)
13RS187510	RS 187510	1.860	(47,24)	.250	(6,35)	1	(25,40)
13RS213579	RS 213579	2 1/8	(53,98)	1-27/64	(36,09)	.280	(7,11)
13RS213580	RS 213580	2.135	(54,23)	1.760	(44,70)	1/8	(3,18)
13RS213581	RS 213581	2.13	(54,10)	1.63	(41,40)	.130	(3,30)
13RS231251	RS 231251	2 1/32	(70,97)	1.420	(36,07)	.350	(8,89)
13RS231252	RS 231252	2.750	(69,85)	1.945	(49,40)	.400	(10,16)

COVERED SPACERS

Molded in Natural Nylon 6/6

Micro Plastics Coved Spacers are molded in tough and resilient natural colored Nylon 6/6 plastic. Spacers fit a variety of tube diameters from 3/4" to 1 1/8" and have inside diameters from .218 to .375 for attachment screws. Coved Spacers are used for attaching parts to rods, tubes, or curved contours.

ITEM NUMBER	TUBE OD (Ref.)	OD	ID	LENGTH
13CS0001	.750 (19,05)	.750 (19,05)	.260 (6,60)	.125 (3,18)
13CS0002	.875 (22,23)	.843 (21,41)	.257 (6,53)	.156 (3,96)
13CS0003	1.000 (25,40)	.835 (21,21)	.218 (5,54)	.500 (12,70)
13CS0004	1.00 (25,40)	1.000 (25,40)	.260 (6,60)	.250 (6,35)
13CS0005	1.00 (25,40)	1.000 (25,40)	.325 (8,26)	.250 (6,35)
13CS0006	1.100 (27,94)	1.000 (25,40)	.250 (6,35)	.125 (3,18)
13CS0007	1.125 (28,58)	.875 (22,23)	.375 (9,53)	.250 (6,35)
13CS0009	1.000 (25,40)	.984 (24,99)	.323 (8,20)	.157 (3,99)
13CS0013	1.250 (31,75)	1.260 (32,00)	.409(10,38)	.134 (3,40)



COVERED SPACERS FOR 90° Flat or Oval Head Screw

Molded in Natural Nylon 6/6

ITEM NUMBER	TUBE OD (Ref.)	OD	ID	LENGTH
13CS0008	.996 (25,30)	.866 (22,00)	.323 (8,20)	.217 (5,51)
13CS0010	1.125 (28,57)	.750 (19,05)	.257 (6,52)	.085 (2,15)
13CS0011	1" (25,4)	.875 (22,22)	.375 (9,52)	.250 (6,35)
13CS0012	.875 (22,2)	.750 (19,05)	.318 (8,07)	.070 (1,77)

New
SIZES



SPACERS

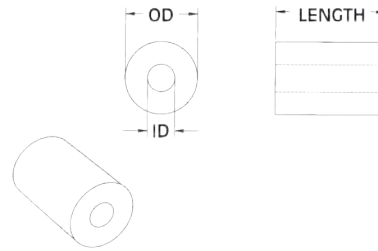
SECTION
V

ROUND SPECIAL STANDARD SPACERS

Molded in **Natural Nylon 6/6**

New
SIZES

ITEM NUMBER	OD		ID		LENGTH	
13RSSR0001	.125	(3,17)	.064	(1,62)	.125	(3,17)
13RSSR0002	.125	(3,17)	.090	(2,28)	.125	(3,17)
13RSSR0003	.125	(3,17)	.064	(1,62)	.188	(4,77)
13RSSR0004	.125	(3,17)	.090	(2,28)	.188	(4,77)
13RSSR0005	.125	(3,17)	.064	(1,62)	.250	(6,35)
13RSSR0006	.125	(3,17)	.090	(2,28)	.250	(6,35)
13RSSR0007	.125	(3,17)	.064	(1,62)	.312	(7,92)
13RSSR0008	.125	(3,17)	.090	(2,28)	.312	(7,92)
13RSSR0009	.125	(3,17)	.064	(1,62)	.375	(9,52)
13RSSR0010	.125	(3,17)	.090	(2,28)	.375	(9,52)
13RSSR0011	.188	(4,77)	.115	(2,92)	.156	(3,96)
13RSSR0012	.188	(4,77)	.090	(2,28)	.219	(5,56)
13RSSR0013	.188	(4,77)	.115	(2,92)	.219	(5,56)
13RSSR0014	.188	(4,77)	.090	(2,28)	.281	(7,13)
13RSSR0015	.188	(4,77)	.090	(2,28)	.344	(8,73)
13RSSR0016	.188	(4,77)	.090	(2,28)	.406	(10,31)
13RSSR0017	.188	(4,77)	.115	(2,92)	.406	(10,31)
13RSSR0018	.188	(4,77)	.090	(2,28)	.469	(11,91)
13RSSR0019	.188	(4,77)	.115	(2,92)	.469	(11,91)
13RSSR0020	.250	(6,35)	.090	(2,28)	.156	(3,96)
13RSSR0021	.250	(6,35)	.115	(2,92)	.156	(3,96)
13RSSR0022	.250	(6,35)	.140	(3,56)	.156	(3,96)
13RSSR0023	.250	(6,35)	.166	(4,21)	.156	(3,96)
13RSSR0024	.250	(6,35)	.090	(2,28)	.219	(5,56)
13RSSR0025	.250	(6,35)	.115	(2,92)	.219	(5,56)
13RSSR0026	.250	(6,35)	.140	(3,55)	.219	(5,56)
13RSSR0027	.250	(6,35)	.166	(4,21)	.219	(5,56)
13RSSR0028	.250	(6,35)	.090	(2,28)	.281	(7,13)
13RSSR0029	.250	(6,35)	.115	(2,92)	.281	(7,13)
13RSSR0030	.250	(6,35)	.140	(3,56)	.281	(7,13)
13RSSR0031	.250	(6,35)	.166	(4,21)	.281	(7,13)
13RSSR0032	.250	(6,35)	.090	(2,28)	.344	(8,73)
13RSSR0033	.250	(6,35)	.115	(2,92)	.344	(8,73)
13RSSR0034	.250	(6,35)	.140	(3,56)	.344	(8,73)
13RSSR0035	.250	(6,35)	.166	(4,21)	.344	(8,73)
13RSSR0036	.250	(6,35)	.090	(2,28)	.406	(10,31)
13RSSR0037	.250	(6,35)	.115	(2,92)	.406	(10,31)
13RSSR0038	.250	(6,35)	.140	(3,56)	.406	(10,31)
13RSSR0039	.250	(6,35)	.166	(4,21)	.406	(10,31)
13RSSR0040	.250	(6,35)	.090	(2,28)	.469	(11,91)
13RSSR0041	.250	(6,35)	.115	(2,92)	.469	(11,91)
13RSSR0042	.250	(6,35)	.140	(3,56)	.469	(11,91)
13RSSR0043	.250	(6,35)	.166	(4,21)	.469	(11,91)
13RSSR0044	.312	(7,92)	.140	(3,56)	.156	(3,96)
13RSSR0045	.312	(7,92)	.166	(4,21)	.156	(3,96)
13RSSR0046	.312	(7,92)	.192	(4,87)	.156	(3,96)
13RSSR0047	.312	(7,92)	.140	(3,56)	.219	(5,56)
13RSSR0048	.312	(7,92)	.166	(4,21)	.219	(5,56)
13RSSR0049	.312	(7,92)	.192	(4,87)	.219	(5,56)
13RSSR0050	.312	(7,92)	.166	(4,21)	.281	(7,13)
13RSSR0051	.312	(7,92)	.192	(4,87)	.281	(7,13)
13RSSR0052	.312	(7,92)	.140	(3,55)	.344	(8,73)
13RSSR0053	.312	(7,92)	.166	(4,21)	.344	(8,73)
13RSSR0054	.312	(7,92)	.192	(4,87)	.344	(8,73)
13RSSR0055	.312	(7,92)	.140	(3,55)	.406	(10,31)
13RSSR0056	.312	(7,92)	.166	(4,21)	.406	(10,31)



ITEM NUMBER	OD		ID		LENGTH	
13RSSR0057	.312	(7,92)	.192	(4,87)	.406	(10,31)
13RSSR0058	.312	(7,92)	.140	(3,56)	.469	(11,91)
13RSSR0059	.312	(7,92)	.166	(4,21)	.469	(11,91)
13RSSR0060	.312	(7,92)	.192	(4,87)	.469	(11,91)
13RSSR0061	.375	(9,52)	.140	(3,55)	.156	(3,96)
13RSSR0062	.375	(9,52)	.166	(4,21)	.156	(3,96)
13RSSR0063	.375	(9,52)	.192	(4,87)	.156	(3,96)
13RSSR0064	.375	(9,52)	.252	(6,40)	.156	(3,96)
13RSSR0065	.375	(9,52)	.140	(3,55)	.219	(5,56)
13RSSR0066	.375	(9,52)	.166	(4,21)	.219	(5,56)
13RSSR0067	.375	(9,52)	.192	(4,87)	.219	(5,56)
13RSSR0068	.375	(9,52)	.218	(5,54)	.219	(5,56)
13RSSR0069	.375	(9,52)	.252	(6,40)	.219	(5,56)
13RSSR0070	.375	(9,52)	.140	(3,55)	.281	(7,13)
13RSSR0071	.375	(9,52)	.166	(4,21)	.281	(7,13)
13RSSR0072	.375	(9,52)	.192	(4,87)	.281	(7,13)
13RSSR0073	.375	(9,52)	.218	(5,54)	.281	(7,13)
13RSSR0074	.375	(9,52)	.252	(6,40)	.281	(7,13)
13RSSR0075	.375	(9,52)	.166	(4,21)	.344	(8,73)
13RSSR0076	.375	(9,52)	.192	(4,87)	.344	(8,73)
13RSSR0077	.375	(9,52)	.218	(5,54)	.344	(8,73)
13RSSR0078	.375	(9,52)	.252	(6,40)	.344	(8,73)
13RSSR0079	.375	(9,52)	.140	(3,55)	.406	(10,31)
13RSSR0080	.375	(9,52)	.166	(4,21)	.406	(10,31)
13RSSR0081	.375	(9,52)	.192	(4,87)	.406	(10,31)
13RSSR0082	.375	(9,52)	.218	(5,54)	.406	(10,31)
13RSSR0083	.375	(9,52)	.252	(6,40)	.406	(10,31)
13RSSR0084	.375	(9,52)	.140	(3,55)	.469	(11,91)
13RSSR0085	.375	(9,52)	.166	(4,21)	.469	(11,91)
13RSSR0086	.375	(9,52)	.192	(4,87)	.469	(11,91)
13RSSR0087	.375	(9,52)	.218	(5,54)	.469	(11,91)
13RSSR0088	.375	(9,52)	.252	(6,40)	.469	(11,91)
13RSSR0089	.500	(12,70)	.315	(8,00)	.125	(3,17)
13RSSR0090	.500	(12,70)	.380	(9,65)	.125	(3,17)
13RSSR0091	.500	(12,70)	.315	(8,00)	.188	(4,77)
13RSSR0092	.500	(12,70)	.380	(9,65)	.188	(4,77)
13RSSR0093	.500	(12,70)	.315	(8,00)	.250	(6,35)
13RSSR0094	.500	(12,70)	.380	(9,65)	.250	(6,35)
13RSSR0095	.500	(12,70)	.315	(8,00)	.312	(7,92)
13RSSR0096	.500	(12,70)	.380	(9,65)	.312	(7,92)
13RSSR0097	.500	(12,70)	.315	(8,00)	.375	(9,53)
13RSSR0098	.500	(12,70)	.380	(9,65)	.375	(9,53)

SPACERS

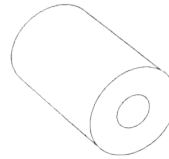
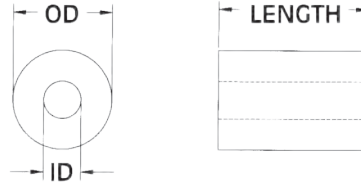
SECTION
V

ROUND SPECIAL STANDARD SPACERS

Molded in Natural Nylon 6/6

New
SIZES

ITEM NUMBER	OD	ID	LENGTH
13RSSR0099	.500 (12,70)	.315 (8,00)	.437 (11,09)
13RSSR0100	.500 (12,70)	.380 (9,65)	.437 (11,09)
13RSSR0101	.500 (12,70)	.315 (8,00)	.500 (12,70)
13RSSR0102	.500 (12,70)	.380 (9,65)	.500 (12,70)
13RSSR0103	.500 (12,70)	.315 (8,00)	.563 (14,30)
13RSSR0104	.500 (12,70)	.380 (9,65)	.563 (14,30)
13RSSR0105	.500 (12,70)	.315 (8,00)	.625 (15,88)
13RSSR0106	.500 (12,70)	.380 (9,65)	.625 (15,88)
13RSSR0107	.500 (12,70)	.315 (8,00)	.688 (17,47)
13RSSR0108	.500 (12,70)	.380 (9,65)	.688 (17,47)
13RSSR0109	.500 (12,70)	.315 (8,00)	.750 (19,05)
13RSSR0110	.500 (12,70)	.380 (9,65)	.750 (19,05)
13RSSR0111	.500 (12,70)	.315 (8,00)	.813 (20,65)
13RSSR0112	.500 (12,70)	.380 (9,65)	.813 (20,65)
13RSSR0113	.500 (12,70)	.315 (8,00)	.875 (22,23)
13RSSR0114	.500 (12,70)	.380 (9,65)	.875 (22,23)
13RSSR0115	.500 (12,70)	.315 (8,00)	.938 (23,82)
13RSSR0116	.500 (12,70)	.380 (9,65)	.938 (23,82)
13RSSR0117	.500 (12,70)	.315 (8,00)	1.000 (25,40)
13RSSR0118	.500 (12,70)	.380 (9,65)	1.000 (25,40)
13RSSR0119	.500 (12,70)	.315 (8,00)	1.062 (26,97)
13RSSR0120	.500 (12,70)	.380 (9,65)	1.062 (26,97)
13RSSR0121	.500 (12,70)	.315 (8,00)	1.125 (28,57)
13RSSR0122	.500 (12,70)	.380 (9,65)	1.125 (28,57)
13RSSR0123	.500 (12,70)	.315 (8,00)	1.188 (30,17)
13RSSR0124	.500 (12,70)	.380 (9,65)	1.188 (30,17)
13RSSR0125	.500 (12,70)	.315 (8,00)	1.250 (31,75)
13RSSR0126	.500 (12,70)	.380 (9,65)	1.250 (31,75)
13RSSR0127	.500 (12,70)	.315 (8,00)	1.312 (33,32)
13RSSR0128	.500 (12,70)	.380 (9,65)	1.312 (33,32)
13RSSR0129	.500 (12,70)	.315 (8,00)	1.375 (34,92)
13RSSR0130	.500 (12,70)	.380 (9,65)	1.375 (34,92)
13RSSR0131	.500 (12,70)	.315 (8,00)	1.437 (36,49)
13RSSR0132	.500 (12,70)	.380 (9,65)	1.437 (36,49)
13RSSR0133	.500 (12,70)	.315 (8,00)	1.500 (38,10)
13RSSR0134	.500 (12,70)	.380 (9,65)	1.500 (38,10)
13RSSR0135	.500 (12,70)	.315 (8,00)	1.750 (44,45)
13RSSR0136	.500 (12,70)	.380 (9,65)	1.750 (44,45)
13RSSR0137	.500 (12,70)	.315 (8,00)	2.000 (50,80)
13RSSR0138	.500 (12,70)	.380 (9,65)	2.000 (50,80)
13RSSR0139	.625 (15,87)	.192 (4,87)	.250 (6,35)
13RSSR0140	.625 (15,87)	.252 (6,40)	.250 (6,35)
13RSSR0141	.625 (15,87)	.315 (8,00)	.250 (6,35)
13RSSR0142	.625 (15,87)	.380 (9,65)	.250 (6,35)
13RSSR0143	.625 (15,87)	.192 (4,87)	.312 (7,92)
13RSSR0144	.625 (15,87)	.252 (6,40)	.312 (7,92)
13RSSR0145	.625 (15,87)	.315 (8,00)	.312 (7,92)
13RSSR0146	.625 (15,87)	.380 (9,65)	.312 (7,92)
13RSSR0147	.625 (15,87)	.192 (4,87)	.375 (9,52)
13RSSR0148	.625 (15,87)	.252 (6,40)	.375 (9,52)
13RSSR0149	.625 (15,87)	.315 (8,00)	.375 (9,52)
13RSSR0150	.625 (15,87)	.380 (9,65)	.375 (9,52)
13RSSR0151	.625 (15,87)	.192 (4,87)	.437 (11,09)
13RSSR0152	.625 (15,87)	.252 (6,40)	.437 (11,09)
13RSSR0153	.625 (15,87)	.315 (8,00)	.437 (11,09)
13RSSR0154	.625 (15,87)	.380 (9,65)	.437 (11,09)



ITEM NUMBER	OD	ID	LENGTH
13RSSR0155	.625 (15,87)	.192 (4,87)	.500 (12,70)
13RSSR0156	.625 (15,87)	.252 (6,40)	.500 (12,70)
13RSSR0157	.625 (15,87)	.380 (9,65)	.500 (12,70)
13RSSR0158	.625 (15,87)	.192 (4,87)	.563 (14,30)
13RSSR0159	.625 (15,87)	.252 (6,40)	.563 (14,30)
13RSSR0160	.625 (15,87)	.315 (8,00)	.563 (14,30)
13RSSR0161	.625 (15,87)	.380 (9,65)	.563 (14,30)
13RSSR0162	.625 (15,87)	.192 (4,87)	.625 (15,88)
13RSSR0163	.625 (15,87)	.252 (6,40)	.625 (15,88)
13RSSR0164	.625 (15,87)	.315 (8,00)	.625 (15,88)
13RSSR0165	.625 (15,87)	.192 (4,87)	.750 (19,05)
13RSSR0166	.625 (15,87)	.252 (6,40)	.750 (19,05)
13RSSR0167	.625 (15,87)	.315 (8,00)	.750 (19,05)
13RSSR0168	.625 (15,87)	.380 (9,65)	.750 (19,05)
13RSSR0169	.625 (15,87)	.192 (4,87)	.875 (22,23)
13RSSR0170	.625 (15,87)	.250 (6,35)	.875 (22,23)
13RSSR0171	.625 (15,87)	.315 (8,00)	.875 (22,23)
13RSSR0172	.625 (15,87)	.380 (9,65)	.875 (22,23)
13RSSR0173	.625 (15,87)	.192 (4,87)	1.000 (25,40)
13RSSR0174	.625 (15,87)	.252 (6,40)	1.000 (25,40)
13RSSR0175	.625 (15,87)	.315 (8,00)	1.000 (25,40)
13RSSR0176	.625 (15,87)	.380 (9,65)	1.000 (25,40)
13RSSR0177	.625 (15,87)	.192 (4,87)	1.125 (28,57)
13RSSR0178	.625 (15,87)	.252 (6,40)	1.125 (28,57)
13RSSR0179	.625 (15,87)	.315 (8,00)	1.125 (28,57)
13RSSR0180	.625 (15,87)	.380 (9,65)	1.125 (28,57)
13RSSR0181	.625 (15,87)	.192 (4,87)	1.250 (31,75)
13RSSR0182	.625 (15,87)	.252 (6,40)	1.250 (31,75)
13RSSR0183	.625 (15,87)	.315 (8,00)	1.250 (31,75)
13RSSR0184	.625 (15,87)	.380 (9,65)	1.250 (31,75)
13RSSR0185	.625 (15,87)	.192 (4,87)	1.375 (34,92)
13RSSR0186	.625 (15,87)	.252 (6,40)	1.375 (34,92)
13RSSR0187	.625 (15,87)	.315 (8,00)	1.375 (34,92)
13RSSR0188	.625 (15,87)	.380 (9,65)	1.375 (34,92)
13RSSR0189	.625 (15,87)	.192 (4,87)	1.500 (38,10)
13RSSR0190	.625 (15,87)	.252 (6,40)	1.500 (38,10)

SPACERS

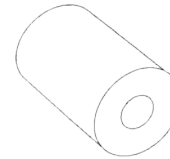
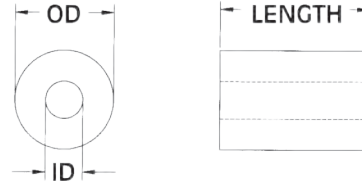
SECTION
V

ROUND SPECIAL STANDARD SPACERS

Molded in **Natural Nylon 6/6**



ITEM NUMBER	OD		ID		LENGTH	
13RSSR0191	.625	(15,87)	.315	(8,00)	1.500	(38,10)
13RSSR0192	.625	(15,87)	.380	(9,65)	1.500	(38,10)
13RSSR0193	.625	(15,87)	.192	(4,87)	1.750	(44,45)
13RSSR0194	.625	(15,87)	.252	(6,40)	1.750	(44,45)
13RSSR0195	.625	(15,87)	.315	(8,00)	1.750	(44,45)
13RSSR0196	.625	(15,87)	.380	(9,65)	1.750	(44,45)
13RSSR0197	.625	(15,87)	.192	(4,87)	2.000	(50,80)
13RSSR0198	.625	(15,87)	.252	(6,40)	2.000	(50,80)
13RSSR0199	.625	(15,87)	.315	(8,00)	2.000	(50,80)
13RSSR0200	.625	(15,87)	.380	(9,65)	2.000	(50,80)
13RSSR0201	.750	(19,05)	.315	(8,00)	.375	(9,52)
13RSSR0202	.750	(19,05)	.380	(9,65)	.375	(9,52)
13RSSR0203	.750	(19,05)	.505	(12,82)	.375	(9,52)
13RSSR0204	.750	(19,05)	.380	(9,65)	.500	(12,70)
13RSSR0205	.750	(19,05)	.505	(12,82)	.500	(12,70)
13RSSR0206	.750	(19,05)	.315	(8,00)	.625	(15,87)
13RSSR0207	.750	(19,05)	.380	(9,65)	.625	(15,87)
13RSSR0208	.750	(19,05)	.505	(12,82)	.625	(15,87)
13RSSR0209	.750	(19,05)	.380	(9,65)	.750	(19,05)
13RSSR0210	.750	(19,05)	.505	(12,82)	.750	(19,05)
13RSSR0211	.750	(19,05)	.315	(8,00)	.875	(22,23)
13RSSR0212	.750	(19,05)	.380	(9,65)	.875	(22,23)
13RSSR0213	.750	(19,05)	.505	(12,82)	.875	(22,23)
13RSSR0214	.750	(19,05)	.315	(8,00)	1.000	(25,40)
13RSSR0215	.750	(19,05)	.380	(9,65)	1.000	(25,40)
13RSSR0216	.750	(19,05)	.505	(12,82)	1.000	(25,40)
13RSSR0217	.750	(19,05)	.315	(8,00)	1.250	(31,75)
13RSSR0218	.750	(19,05)	.380	(9,65)	1.250	(31,75)
13RSSR0219	.750	(19,05)	.505	(12,82)	1.250	(31,75)
13RSSR0220	.750	(19,05)	.315	(8,00)	1.500	(38,10)
13RSSR0221	.750	(19,05)	.380	(9,65)	1.500	(38,10)
13RSSR0222	.750	(19,05)	.505	(12,82)	1.500	(38,10)
13RSSR0223	.750	(19,05)	.315	(8,00)	1.750	(44,45)
13RSSR0224	.750	(19,05)	.380	(9,65)	1.750	(44,45)
13RSSR0225	.750	(19,05)	.505	(12,82)	1.750	(44,45)
13RSSR0226	.750	(19,05)	.315	(8,00)	2.000	(50,80)
13RSSR0227	.750	(19,05)	.380	(9,65)	2.000	(50,80)
13RSSR0228	.750	(19,05)	.505	(12,82)	2.000	(50,80)
13RSSR0229	1.000	(25,40)	.505	(12,82)	.375	(9,52)
13RSSR0230	1.000	(25,40)	.630	(16,00)	.375	(9,52)
13RSSR0231	1.000	(25,40)	.505	(12,82)	.500	(12,70)
13RSSR0232	1.000	(25,40)	.630	(16,00)	.500	(12,70)
13RSSR0233	1.000	(25,40)	.505	(12,82)	.750	(19,05)
13RSSR0234	1.000	(25,40)	.630	(16,00)	.750	(19,05)
13RSSR0235	1.000	(25,40)	.505	(12,82)	1.000	(25,40)
13RSSR0236	1.000	(25,40)	.630	(16,00)	1.000	(25,40)
13RSSR0237	1.000	(25,40)	.505	(12,82)	1.500	(38,10)
13RSSR0238	1.000	(25,40)	.630	(16,00)	1.500	(38,10)
13RSSR0239	1.000	(25,40)	.505	(12,82)	2.000	(50,80)
13RSSR0240	1.000	(25,40)	.630	(16,00)	2.000	(50,80)
13RSSR0241	1.500	(38,10)	.755	(19,17)	.375	(9,52)
13RSSR0242	1.500	(38,10)	1.000	(25,40)	.375	(9,52)
13RSSR0243	1.500	(38,10)	.755	(19,17)	.500	(12,70)
13RSSR0244	1.500	(38,10)	1.000	(25,40)	.500	(12,70)
13RSSR0245	1.500	(38,10)	.755	(19,17)	.750	(19,05)
13RSSR0246	1.500	(38,10)	1.000	(25,40)	.750	(19,05)



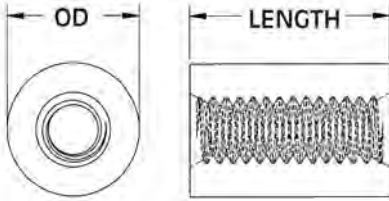
ITEM NUMBER	OD		ID		LENGTH	
13RSSR0247	1.500	(38,10)	.755	(19,17)	1.000	(25,40)
13RSSR0248	1.500	(38,10)	1.000	(25,40)	1.000	(25,40)
13RSSR0249	1.500	(38,10)	.750	(19,05)	1.500	(38,10)
13RSSR0250	1.500	(38,10)	1.000	(25,40)	1.500	(38,10)
13RSSR0251	1.500	(38,10)	.755	(19,17)	2.000	(50,80)
13RSSR0252	1.500	(38,10)	1.000	(25,40)	2.000	(50,80)
13RSSR0299	.500	(12,70)	.166	(4,21)	2.250	(57,15)
13RSSR0300	.500	(12,70)	.192	(4,87)	2.250	(57,15)
13RSSR0304	.500	(12,70)	.140	(3,55)	2.500	(63,50)
13RSSR0305	.500	(12,70)	.166	(4,21)	2.500	(63,50)
13RSSR0306	.500	(12,70)	.192	(4,87)	2.500	(63,50)
13RSSR0311	.500	(12,70)	.166	(4,21)	2.750	(69,85)
13RSSR0320	.625	(15,87)	.192	(4,87)	2.250	(57,15)
13RSSR0321	.625	(15,87)	.255	(6,47)	2.250	(57,15)
13RSSR0322	.625	(15,87)	.315	(8,00)	2.250	(57,15)
13RSSR0324	.625	(15,87)	.192	(4,87)	2.500	(63,50)
13RSSR0325	.625	(15,87)	.255	(6,47)	2.500	(63,50)
13RSSR0326	.625	(15,87)	.315	(8,00)	2.500	(63,50)
13RSSR0328	.625	(15,87)	.192	(4,87)	2.750	(69,85)
13RSSR0329	.625	(15,87)	.255	(6,47)	2.750	(69,85)
13RSSR0330	.625	(15,87)	.315	(8,00)	2.750	(69,85)
13RSSR0333	.625	(15,87)	.255	(6,47)	3.000	(76,20)
13RSSR0336	.750	(19,05)	.315	(8,00)	2.250	(57,15)
13RSSR0337	.750	(19,05)	.380	(9,65)	2.250	(57,15)
13RSSR0339	.750	(19,05)	.315	(8,00)	2.500	(63,50)
13RSSR0340	.750	(19,05)	.380	(9,65)	2.500	(63,50)
13RSSR0342	.750	(19,05)	.315	(8,00)	2.750	(69,85)
13RSSR0343	.750	(19,05)	.380	(9,65)	2.750	(69,85)
13RSSR0345	.750	(19,05)	.315	(8,00)	3.000	(76,20)
13RSSR0346	.750	(19,05)	.380	(9,65)	3.000	(76,20)
13RSSR0348	1.000	(25,40)	.505	(12,82)	2.250	(57,15)
13RSSR0349	1.000	(25,40)	.630	(16,00)	2.250	(57,15)
13RSSR0357	1.500	(38,10)	1.005	(25,52)	2.250	(57,15)
13RSSR0358	1.500	(38,01)	.750	(19,05)	2.500	(63,50)
13RSSR0359	1.500	(38,01)	1.005	(25,52)	2.500	(63,50)
13RSSR0364	.500	(12,70)	.257	(6,52)	1.438	(36,52)

SPACERS

SECTION V

Molded from Type 66 Nylon and then machine tapped, these spacers are low cost insulators that can be used in many electrical applications.

Special sizes can be made to order from our large untapped spacer inventory.



NOTE:
ON THREADED SPACERS 3/4"
AND LONGER, THE TAP IS 3/8"
FROM EACH END AND NOT
CONTINUOUS THROUGH.



TAPPED SPACERS

Molded in **Natural Nylon 6/6**

ITEM NUMBER	DESCRIPTION	SCREW SIZE	THREAD	OD	LENGTH
15TSP055	TSP 55	2	2-56	3/16 (4,76)	7/16 (11,11)
15TSP056	TSP 56	2	2-56	3/16 (4,76)	1/2 (12,70)
15TSP106	TSP 106	4	4-40*	3/16 (4,76)	17/64 (6,73)
15TSP057	TSP 57	2	2-56	1/4 (6,35)	1/4 (6,35)
15TSP001	TSP 1	4	4-40*	1/4 (6,35)	1/4 (6,35)
15TSP050	TSP 50	4	4-40*	1/4 (6,35)	5/16 (7,94)
15TSP002	TSP 2	4	4-40*	1/4 (6,35)	3/8 (9,53)
15TSP003	TSP 3	4	4-40*	1/4 (6,35)	1/2 (12,70)
15TSP036	TSP 36	4	4-40*	1/4 (6,35)	5/8 (15,88)
15TSP004	TSP 4	4	4-40*	1/4 (6,35)	3/4 (19,05)
15TSP037	TSP 37	4	4-40*	1/4 (6,35)	7/8 (22,22)
15TSP005	TSP 5	4	4-40*	1/4 (6,35)	1 (25,40)
15TSP006	TSP 6	6	6-32**	1/4 (6,35)	1/4 (6,35)
15TSP054	TSP 54	6	6-32**	1/4 (6,35)	5/16 (7,94)
15TSP007	TSP 7	6	6-32**	1/4 (6,35)	3/8 (9,53)
15TSP008	TSP 8	6	6-32**	1/4 (6,35)	1/2 (12,70)
15TSP051	TSP 51	6	6-32**	1/4 (6,35)	9/16 (14,29)
15TSP038	TSP 38	6	6-32**	1/4 (6,35)	5/8 (15,88)
15TSP009	TSP 9	6	6-32**	1/4 (6,35)	3/4 (19,05)
15TSP052	TSP 52	6	6-32**	1/4 (6,35)	15/16 (23,81)
15TSP039	TSP 39	6	6-32**	1/4 (6,35)	7/8 (22,22)
15TSP010	TSP 10	6	6-32**	1/4 (6,35)	1 (25,40)
15TSP053	TSP 53	6	6-32**	1/4 (6,35)	1 1/2 (38,10)
15TSP011	TSP 11	8	8-32***	1/4 (6,35)	1/4 (6,35)
15TSP012	TSP 12	8	8-32***	1/4 (6,35)	3/8 (9,53)
15TSP013	TSP 13	8	8-32***	1/4 (6,35)	1/2 (12,70)
15TSP040	TSP 40	8	8-32***	1/4 (6,35)	5/8 (15,88)
15TSP014	TSP 14	8	8-32***	1/4 (6,35)	3/4 (19,05)
15TSP041	TSP 41	8	8-32***	1/4 (6,35)	7/8 (22,22)
15TSP015	TSP 15	8	8-32***	1/4 (6,35)	1 (25,40)
15TSP016	TSP 16	8	8-32***	5/16 (7,94)	1/4 (6,35)
15TSP017	TSP 17	8	8-32***	5/16 (7,94)	3/8 (9,53)
15TSP018	TSP 18	8	8-32***	5/16 (7,94)	1/2 (12,70)
15TSP042	TSP 42	8	8-32***	5/16 (7,94)	5/8 (15,88)
15TSP019	TSP 19	8	8-32***	5/16 (7,94)	3/4 (19,05)
15TSP043	TSP 43	8	8-32***	5/16 (7,94)	7/8 (22,22)
15TSP020	TSP 20	8	8-32***	5/16 (7,94)	1 (25,40)
15TSP021	TSP 21	10	10-32****	3/8 (9,53)	1/4 (6,35)
15TSP022	TSP 22	10	10-32****	3/8 (9,53)	3/8 (9,53)
15TSP023	TSP 23	10	10-32****	3/8 (9,53)	1/2 (12,70)

***NOTE THESE ITEMS ARE AVAILABLE IN METRIC THREADS.**

4-40* Available in M3 Thread
6-32** Available in M3.5 Thread

8-32*** Available in M4 Thread
10-32**** Available in M5 Thread



SPACERS

SECTION

V

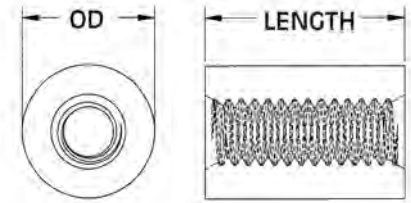
To order metric threads, simply add an M to the Part Number.

EXAMPLE: 15TSP006 with a 6-32 Thread,
Becomes 15MTSP006 with a M3.5 Thread

TAPPED SPACERS

Molded in **Natural Nylon 6/6**

ITEM NUMBER	DESCRIPTION	SCREW SIZE	THREAD	OD	LENGTH
15TSP044	TSP 44	10	10-32****	3/8 (9,53)	5/8 (15,88)
15TSP024	TSP 24	10	10-32****	3/8 (9,53)	3/4 (19,05)
15TSP045	TSP 45	10	10-32****	3/8 (9,53)	7/8 (22,22)
15TSP025	TSP 25	10	10-32****	3/8 (9,53)	1 (25,40)
15TSP026	TSP 26	10	10-32****	1/2 (12,70)	1/4 (6,35)
15TSP027	TSP 27	10	10-32****	1/2 (12,70)	3/8 (9,53)
15TSP028	TSP 28	10	10-32****	1/2 (12,70)	1/2 (12,70)
15TSP046	TSP 46	10	10-32****	1/2 (12,70)	5/8 (15,88)
15TSP029	TSP 29	10	10-32****	1/2 (12,70)	3/4 (19,05)
15TSP047	TSP 47	10	10-32****	1/2 (12,70)	7/8 (22,22)
15TSP030	TSP 30	10	10-32****	1/2 (12,70)	1 (25,40)
15TSP031	TSP 31	1/4	1/4-20	1/2 (12,70)	1/4 (6,35)
15TSP032	TSP 32	1/4	1/4-20	1/2 (12,70)	3/8 (9,53)
15TSP033	TSP 33	1/4	1/4-20	1/2 (12,70)	1/2 (12,70)
15TSP048	TSP 48	1/4	1/4-20	1/2 (12,70)	5/8 (15,88)
15TSP034	TSP 34	1/4	1/4-20	1/2 (12,70)	3/4 (19,05)
15TSP049	TSP 49	1/4	1/4-20	1/2 (12,70)	7/8 (22,22)
15TSP035	TSP 35	1/4	1/4-20	1/2 (12,70)	1 (25,40)
15TSP058	TSP 58	2	2-56	3/16 (4,76)	3/8 (9,53)
15TSP099	TSP 99	4	4-40	3/16 (4,76)	5/32 (3,97)
15TSP100	TSP 100	4	4-40	3/16 (4,76)	3/16 (4,76)
15TSP101	TSP 101	4	4-40	3/16 (4,76)	1/4 (6,35)
15TSP102	TSP 102	4	4-40	3/16 (4,76)	5/16 (7,94)
15TSP103	TSP 103	4	4-40	3/16 (4,76)	3/8 (9,53)
15TSP104	TSP 104	4	4-40	3/16 (4,76)	7/16 (11,11)
15TSP105	TSP 105	4	4-40	3/16 (4,76)	1/2 (12,70)
15TSP107	TSP 107	4	4-40	3/16 (4,76)	5/8 (15,88)
15TSP109	TSP 109	4	4-40	3/16 (4,76)	3/4 (19,05)
15TSP111	TSP 111	4	4-40	3/16 (4,76)	7/8 (22,22)
15TSP115	TSP 115	4	4-40	3/16 (4,76)	1 (25,40)
15TSP140	TSP 140	6	6-32	3/16 (4,76)	3/16 (4,76)
15TSP141	TSP 141	6	6-32	3/16 (4,76)	1/4 (6,35)
15TSP142	TSP 142	6	6-32	3/16 (4,76)	5/16 (7,94)
15TSP143	TSP 143	6	6-32	3/16 (4,76)	3/8 (9,53)
15TSP144	TSP 144	6	6-32	3/16 (4,76)	7/16 (11,11)
15TSP145	TSP 145	6	6-32	3/16 (4,76)	1/2 (12,70)
15TSP147	TSP 147	6	6-32	3/16 (4,76)	5/8 (15,88)
15TSP149	TSP 149	6	6-32	3/16 (4,76)	3/4 (19,05)
15TSP151	TSP 151	6	6-32	3/16 (4,76)	7/8 (22,22)
15TSP152	TSP 152	1/4	1/4-20	3/4 (19,05)	.787 (0,59)
15TSP155	TSP 155	6	6-32	3/16 (4,76)	1 (25,40)
15TSP201	TSP 201	10	10-24	3/8 (9,53)	1 (25,40)
15TSP379	TSP 379	10	10-24	3/8 (9,53)	1.187 (30,15)



NOTE:
ON THREADED SPACERS 3/4"
AND LONGER, THE TAP IS 3/8"
FROM EACH END AND NOT
CONTINUOUS THROUGH.

**New
SIZES**



***NOTE THESE ITEMS ARE AVAILABLE IN METRIC THREADS.**

4-40* Available in M3 Thread
6-32** Available in M3.5 Thread

8-32*** Available in M4 Thread
10-32**** Available in M5 Thread



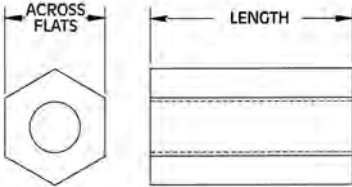
SPACERS

SECTION

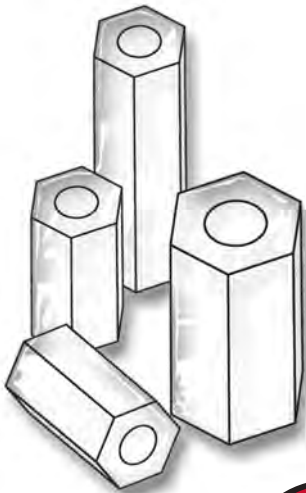
V

HEX SPACERS

Molded in **Natural Nylon 6/6**



All hex nylon spacers can be tapped two thread sizes larger than the screw size listed.



**New
SIZES**

Self-threading, use with tapping screws designed for plastics.

**METRIC Sizes
Also Available**

Page 281



ITEM NUMBER	DESCRIPTION	ID	SCREW SIZE	LENGTH	ACROSS FLATS
35HSP027	HSP 27	.072 (1,83)	2	9/32 (7,13)	3/16 (4,75)
35HSP112	HSP 112	.072 (1,83)	2	7/16 (11,11)	3/16 (4,75)
35HSP115	HSP 115	.072 (1,83)	2	5/16 (7,93)	3/16 (4,75)
35HSP114	HSP 114	.072 (1,83)	2	3/8 (9,53)	3/16 (4,75)
35HSP113	HSP 113	.075 (1,91)	2	9/16 (14,28)	3/16 (4,75)
35HSP118	HSP 118	.072 (1,83)	2	11/16 (17,45)	3/16 (4,75)
35HSP101	HSP 101	.091 (2,31)	4	1/4 (6,35)	3/16 (4,75)
35HSP102	HSP 102	.091 (2,31)	4	3/8 (9,53)	3/16 (4,75)
35HSP124	HSP 124	.091 (2,31)	4	3/4 (19,05)	3/16 (4,75)
35HSP103	HSP 103	.091 (2,31)	4	1/2 (12,70)	3/16 (4,75)
35HSP111	HSP 111	.091 (2,31)	4	9/16 (14,27)	3/16 (4,75)
35HSP119	HSP 119	.091 (2,31)	4	5/8 (15,88)	3/16 (4,75)
35HSP104	HSP 104	.091 (2,31)	4	7/16 (11,10)	3/16 (4,75)
35HSP116	HSP 116	.091 (2,31)	4	7/8 (22,22)	3/16 (4,75)
35HSP106	HSP 106	.115 (2,92)	6	1/4 (6,35)	3/16 (4,75)
35HSP107	HSP 107	.115 (2,92)	6	3/8 (9,53)	3/16 (4,75)
35HSP108	HSP 108	.115 (2,92)	6	1/2 (12,70)	3/16 (4,75)
35HSP120	HSP 120	.115 (2,92)	6	5/8 (15,88)	3/16 (4,75)
35HSP109	HSP 109	.115 (2,92)	6	3/4 (19,05)	3/16 (4,75)
35HSP209	HSP 209	.115 (2,92)	6	1/4 (6,35)	5/16 (7,92)
35HSP036	HSP 36	.115 (2,92)	6	1-1/2 (38,10)	1/4 (6,35)
35HSP001	HSP 1	.091 (2,31)	4	1/4 (6,35)	1/4 (6,35)
35HSP022	HSP 22	.091 (2,31)	4	5/16 (7,92)	1/4 (6,35)
35HSP002	HSP 2	.093 (2,36)	4	3/8 (9,53)	1/4 (6,35)
35HSP029	HSP 29	.091 (2,31)	4	7/16 (11,10)	1/4 (6,35)
35HSP003	HSP 3	.091 (2,31)	4	1/2 (12,70)	1/4 (6,35)
35HSP024	HSP 24	.091 (2,31)	4	9/16 (14,27)	1/4 (6,35)
35HSP019	HSP 19	.091 (2,31)	4	5/8 (15,88)	1/4 (6,35)
35HSP004	HSP 4	.091 (2,31)	4	3/4 (19,05)	1/4 (6,35)
35HSP016	HSP 16	.091 (2,31)	4	7/8 (22,22)	1/4 (6,35)
35HSP005	HSP 5	.091 (2,31)	4	1 (25,40)	1/4 (6,35)
35HSP037	HSP 37	.094 (2,39)	4	.826 (20,98)	1/4 (6,35)
35HSP038	HSP 38	.111 (2,82)	6	9/16 (14,29)	1/4 (6,35)
35HSP039	HSP 39	.091 (2,31)	4	1 3/8 (35,00)	1/4 (6,35)
35HSP035	HSP 35	.115 (2,92)	6	3/16 (4,75)	1/4 (6,35)
35HSP006	HSP 6	.115 (2,92)	6	1/4 (6,35)	1/4 (6,35)
35HSP026	HSP 26	.110 (2,79)	6	5/16 (7,92)	1/4 (6,35)
35HSP007	HSP 7	.115 (2,92)	6	3/8 (9,53)	1/4 (6,35)
35HSP040	HSP 40	.111 (2,82)	6	7/16 (11,11)	1/4 (6,35)
35HSP008	HSP 8	.115 (2,92)	6	1/2 (12,70)	1/4 (6,35)
35HSP020	HSP 20	.115 (2,92)	6	5/8 (15,88)	1/4 (6,35)
35HSP009	HSP 9	.115 (2,92)	6	3/4 (19,05)	1/4 (6,35)
35HSP017	HSP 17	.115 (2,92)	6	7/8 (22,22)	1/4 (6,35)
35HSP010	HSP 10	.115 (2,92)	6	1 (25,40)	1/4 (6,35)
35HSP023	HSP 23	.115 (2,92)	6	1-1/4 (31,75)	1/4 (6,35)
35HSP011	HSP 11	.140 (3,56)	8	1/4 (6,35)	1/4 (6,35)
35HSP012	HSP 12	.140 (3,56)	8	3/8 (9,53)	1/4 (6,35)
35HSP013	HSP 13	.140 (3,56)	8	1/2 (12,70)	1/4 (6,35)
35HSP021	HSP 21	.140 (3,56)	8	5/8 (15,88)	1/4 (6,35)
35HSP041	HSP 41	.134 (3,40)	8	43/64 (17,06)	1/4 (6,35)
35HSP014	HSP 14	.140 (3,56)	8	3/4 (19,05)	1/4 (6,35)
35HSP018	HSP 18	.140 (3,56)	8	7/8 (22,22)	1/4 (6,35)
35HSP015	HSP 15	.140 (3,56)	8	1 (25,40)	1/4 (6,35)
35HSP042	HSP 42	.140 (3,56)	8	1 1/8 (28,58)	1/4 (6,35)
35HSP208	HSP 208	.115 (2,92)	6	1/2 (12,70)	5/16 (7,92)
35HSP220	HSP 220	.115 (2,92)	6	7/8 (22,23)	5/16 (7,92)
35HSP225	HSP 225	.115 (2,92)	6	1-1/8 (28,58)	5/16 (7,92)
35HSP309	HSP 309	.110 (2,74)	6	3/4 (19,05)	3/8 (9,53)
35HSP207	HSP 207	.225 (5,72)	1/4	7/32 (5,56)	5/16 (7,92)
35HSP400	HSP 400	.196 (4,97)	1/4	1/2 (12,70)	3/8 (9,53)
35HSP401	HSP 401	.164 (4,16)	10	1/2 (12,70)	3/8 (9,53)
35HSP500	HSP 500	.110 (2,79)	6	1-5/8 (41,28)	1/2 (12,70)

SPACERS

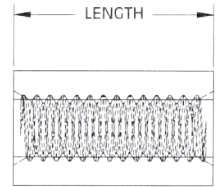
SECTION
V

ITEM NUMBER	DESCRIPTION	SCREW SIZE	THREAD	LENGTH	ACROSS FLATS
14HTSP027	HTSP 27	2	2-56	9/32 (7,13)	3/16 (4,75)
14HTSP112	HTSP 112	2	2-56	7/16 (11,11)	3/16 (4,75)
14HTSP115	HTSP 115	2	2-56	5/16 (7,94)	3/16 (4,75)
14HTSP114	HTSP 114	2	2-56	3/8 (9,53)	3/16 (4,75)
14HTSP113	HTSP 113	2	2-56	9/16 (14,28)	3/16 (4,75)
14HTSP118	HTSP 118	2	2-56	11/16 (17,45)	3/16 (4,75)
14HTSP101	HTSP 101	4	4-40*	1/4 (6,35)	3/16 (4,75)
14HTSP102	HTSP 102	4	4-40*	3/8 (9,53)	3/16 (4,75)
14HTSP124	HTSP 124	4	4-40*	3/4 (19,05)	3/16 (4,75)
14HTSP103	HTSP 103	4	4-40*	1/2 (12,70)	3/16 (4,75)
14HTSP111	HTSP 111	4	4-40*	9/16 (14,27)	3/16 (4,75)
14HTSP119	HTSP 119	4	4-40*	5/8 (15,88)	3/16 (4,75)
14HTSP104	HTSP 104	4	4-40*	7/16 (11,10)	3/16 (4,75)
14HTSP116	HTSP 116	4	4-40*	7/8 (22,22)	3/16 (4,75)
14HTSP106	HTSP 106	6	6-32**	1/4 (6,35)	3/16 (4,75)
14HTSP107	HTSP 107	6	6-32**	3/8 (9,53)	3/16 (4,75)
14HTSP108	HTSP 108	6	6-32**	1/2 (12,70)	3/16 (4,75)
14HTSP120	HTSP 120	6	6-32**	5/8 (15,88)	3/16 (4,75)
14HTSP109	HTSP 109	6	6-32**	3/4 (19,05)	3/16 (4,75)
14HTSP209	HTSP 209	6	6-32**	1/4 (6,35)	5/16 (7,92)
14HTSP036	HTSP 36	6	6-32**	1-1/2 (38,10)	1/4 (6,35)
14HTSP001	HTSP 1	4	4-40*	1/4 (6,35)	1/4 (6,35)
14HTSP022	HTSP 22	4	4-40*	5/16 (7,92)	1/4 (6,35)
14HTSP002	HTSP 2	4	4-40*	3/8 (9,53)	1/4 (6,35)
14HTSP029	HTSP 29	4	4-40*	7/16 (11,10)	1/4 (6,35)
14HTSP003	HTSP 3	4	4-40*	1/2 (12,70)	1/4 (6,35)
14HTSP024	HTSP 24	4	4-40*	9/16 (14,27)	1/4 (6,35)
14HTSP019	HTSP 19	4	4-40*	5/8 (15,88)	1/4 (6,35)
14HTSP004	HTSP 4	4	4-40*	3/4 (19,05)	1/4 (6,35)
14HTSP016	HTSP 16	4	4-40*	7/8 (22,22)	1/4 (6,35)
14HTSP037	HTSP 37	4	4-40*	.826 (20,98)	1/4 (6,35)
14HTSP005	HTSP 5	4	4-40*	1 (25,40)	1/4 (6,35)
14HTSP038	HTSP 38	6	6-32**	9/16(14,29)	1/4 (6,35)
14HTSP039	HTSP 39	4	4-40*	1-3/8 (34,93)	1/4 (6,35)
14HTSP035	HTSP 35	6	6-32**	3/16 (4,75)	1/4 (6,35)
14HTSP006	HTSP 6	6	6-32**	1/4 (6,35)	1/4 (6,35)
14HTSP026	HTSP 26	6	6-32**	5/16 (7,92)	1/4 (6,35)
14HTSP007	HTSP 7	6	6-32**	3/8 (9,53)	1/4 (6,35)
14HTSP040	HTSP 40	6	6-32**	7/16 (11,11)	1/4 (6,35)
14HTSP008	HTSP 8	6	6-32**	1/2 (12,70)	1/4 (6,35)
14HTSP020	HTSP 20	6	6-32**	5/8 (15,88)	1/4 (6,35)
14HTSP009	HTSP 9	6	6-32**	3/4 (19,05)	1/4 (6,35)
14HTSP017	HTSP 17	6	6-32**	7/8 (22,22)	1/4 (6,35)
14HTSP010	HTSP 10	6	6-32**	1 (25,40)	1/4 (6,35)
14HTSP023	HTSP 23	6	6-32**	1-1/4 (31,75)	1/4 (6,35)
14HTSP011	HTSP 11	8	8-32***	1/4 (6,35)	1/4 (6,35)
14HTSP012	HTSP 12	8	8-32***	3/8 (9,53)	1/4 (6,35)
14HTSP013	HTSP 13	8	8-32***	1/2 (12,70)	1/4 (6,35)
14HTSP021	HTSP 21	8	8-32***	5/8 (15,88)	1/4 (6,35)
14HTSP041	HTSP 41	8	8-32***	43/64 (17,06)	1/4 (6,35)
14HTSP014	HTSP 14	8	8-32***	3/4 (19,05)	1/4 (6,35)
14HTSP018	HTSP 18	8	8-32***	7/8 (22,22)	1/4 (6,35)
14HTSP015	HTSP 15	8	8-32***	1 (25,40)	1/4 (6,35)
14HTSP042	HTSP 42	8	8-32***	1 1/8 (28,58)	1/4 (6,35)
14HTSP208	HTSP 208	6	6-32**	1/2 (12,70)	5/16 (7,92)
14HTSP210	HTSP 210	6	6-32	3/4 (19,05)	5/16 (7,92)
14HTSP220	HTSP 220	6	6-32**	7/8 (22,22)	5/16 (7,92)
14HTSP225	HTSP 225	6	6-32**	1-1/8 (28,58)	5/16 (7,92)
14HTSP309	HTSP 309	6	6-32**	3/4 (19,05)	3/8 (9,53)
14HTSP207	HTSP 207	1/4	1/4-20	7/32 (5,56)	5/16 (7,92)
14HTSP400	HTSP 400	1/4	1/4-20	1/2 (12,70)	3/8 (9,53)
14HTSP401	HTSP 401	10	10-32	1/2 (12,70)	3/8 (9,53)
14HTSP500	HTSP 500	6	6-32**	1-5/8 (41,28)	1/2 (12,70)

***NOTE THESE ITEMS ARE AVAILABLE IN METRIC THREADS.**
4-40* Available in M3 Thread
6-32 Available in M3.5 Thread**
8-32* Available in M4 Thread**

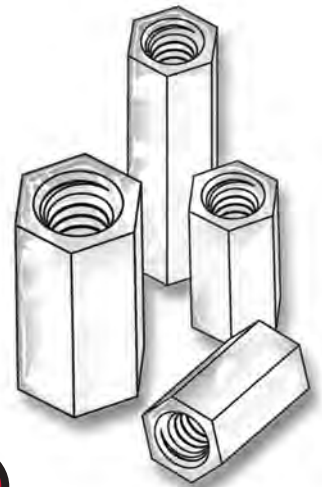
HEX TAPPED SPACERS

Molded in **Natural Nylon 6/6**



NOTE: no thru hole

NOTE:
ON THREADED SPACERS 3/4"
AND LONGER, THE TAP IS 3/8"
MINIMUM FROM EACH END



New SIZES

To order metric threads, simply add an **M** to the Part Number.

EXAMPLE: 14HTSP106 with a 6-32 Thread, Becomes 14MHTSP106 with a M3.5 Thread

METRIC Sizes Also Available
 Page 281



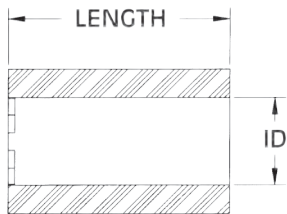
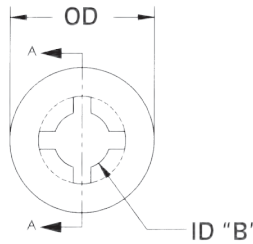
SPACERS

SECTION
V

RETAINING SPACERS

Molded in **Natural Nylon 6/6**

Similar to our standard spacers, but with a specially configured ID designed to grip the screw shank. The spacer remains attached to the screw, for quick, easy assembly.



ITEM NUMBER	OD	ID	ID "B"	LENGTH
13SPRT031	1/4 (6,35)	.115 (2,92)	.078 (1,98)	1/8 (3,18)
13SPRT032	1/4 (6,35)	.115 (2,92)	.078 (1,98)	3/16 (4,76)
13SPRT033	1/4 (6,35)	.115 (2,92)	.078 (1,98)	1/4 (6,35)
13SPRT034	1/4 (6,35)	.115 (2,92)	.078 (1,98)	5/16 (7,94)
13SPRT035	1/4 (6,35)	.115 (2,92)	.078 (1,98)	3/8 (9,53)
13SPRT036	1/4 (6,35)	.115 (2,92)	.078 (1,98)	7/16 (11,11)
13SPRT037	1/4 (6,35)	.115 (2,92)	.078 (1,98)	1/2 (12,70)
13SPRT038	1/4 (6,35)	.115 (2,92)	.078 (1,98)	9/16 (14,29)
13SPRT039	1/4 (6,35)	.115 (2,92)	.078 (1,98)	5/8 (15,88)
13SPRT040	1/4 (6,35)	.115 (2,92)	.078 (1,98)	11/16 (17,46)
13SPRT041	1/4 (6,35)	.115 (2,92)	.078 (1,98)	3/4 (19,05)
13SPRT042	1/4 (6,35)	.115 (2,92)	.078 (1,98)	13/16 (20,64)
13SPRT043	1/4 (6,35)	.115 (2,92)	.078 (1,98)	7/8 (22,23)
13SPRT044	1/4 (6,35)	.115 (2,92)	.078 (1,98)	15/16 (23,81)
13SPRT045	1/4 (6,35)	.115 (2,92)	.078 (1,98)	1 (25,40)
13SPRT046	1/4 (6,35)	.156 (3,96)	.102 (2,59)	1/8 (3,18)
13SPRT047	1/4 (6,35)	.156 (3,96)	.102 (2,59)	3/16 (4,76)
13SPRT048	1/4 (6,35)	.156 (3,96)	.102 (2,59)	1/4 (6,35)
13SPRT049	1/4 (6,35)	.156 (3,96)	.102 (2,59)	5/16 (7,94)
13SPRT050	1/4 (6,35)	.156 (3,96)	.102 (2,59)	3/8 (9,53)
13SPRT051	1/4 (6,35)	.156 (3,96)	.102 (2,59)	7/16 (11,11)
13SPRT052	1/4 (6,35)	.156 (3,96)	.102 (2,59)	1/2 (12,70)
13SPRT053	1/4 (6,35)	.156 (3,96)	.102 (2,59)	9/16 (14,29)
13SPRT054	1/4 (6,35)	.156 (3,96)	.102 (2,59)	5/8 (15,88)
13SPRT055	1/4 (6,35)	.156 (3,96)	.102 (2,59)	11/16 (17,46)
13SPRT056	1/4 (6,35)	.156 (3,96)	.102 (2,59)	3/4 (19,05)
13SPRT057	1/4 (6,35)	.156 (3,96)	.102 (2,59)	13/16 (20,64)
13SPRT058	1/4 (6,35)	.156 (3,96)	.102 (2,59)	7/8 (22,23)
13SPRT059	1/4 (6,35)	.156 (3,96)	.102 (2,59)	15/16 (23,81)
13SPRT060	1/4 (6,35)	.156 (3,96)	.102 (2,59)	1 (25,40)
13SPRT061	5/16 (7,94)	.198 (5,03)	.128 (3,25)	1/8 (3,18)
13SPRT062	5/16 (7,94)	.198 (5,03)	.128 (3,25)	3/16 (4,76)
13SPRT063	5/16 (7,94)	.198 (5,03)	.128 (3,25)	1/4 (6,35)
13SPRT064	5/16 (7,94)	.198 (5,03)	.128 (3,25)	5/16 (7,94)
13SPRT065	5/16 (7,94)	.198 (5,03)	.128 (3,25)	3/8 (9,53)
13SPRT066	5/16 (7,94)	.198 (5,03)	.128 (3,25)	7/16 (11,11)
13SPRT067	5/16 (7,94)	.198 (5,03)	.128 (3,25)	1/2 (12,70)
13SPRT068	5/16 (7,94)	.198 (5,03)	.128 (3,25)	9/16 (14,29)
13SPRT069	5/16 (7,94)	.198 (5,03)	.128 (3,25)	5/8 (15,88)
13SPRT070	5/16 (7,94)	.198 (5,03)	.128 (3,25)	11/16 (17,46)
13SPRT071	5/16 (7,94)	.198 (5,03)	.128 (3,25)	3/4 (19,05)
13SPRT072	5/16 (7,94)	.198 (5,03)	.128 (3,25)	13/16 (20,64)
13SPRT073	5/16 (7,94)	.198 (5,03)	.128 (3,25)	7/8 (22,23)
13SPRT074	5/16 (7,94)	.198 (5,03)	.128 (3,25)	15/16 (23,81)
13SPRT075	5/16 (7,94)	.198 (5,03)	.128 (3,25)	1 (25,40)
13SPRT076	3/8 (9,53)	.240 (6,10)	.152 (3,86)	1/8 (3,18)
13SPRT077	3/8 (9,53)	.240 (6,10)	.152 (3,86)	3/16 (4,76)
13SPRT078	3/8 (9,53)	.240 (6,10)	.152 (3,86)	1/4 (6,35)
13SPRT079	3/8 (9,53)	.240 (6,10)	.152 (3,86)	5/16 (7,94)
13SPRT080	3/8 (9,53)	.240 (6,10)	.152 (3,86)	3/8 (9,53)
13SPRT081	3/8 (9,53)	.240 (6,10)	.152 (3,86)	7/16 (11,11)
13SPRT082	3/8 (9,53)	.240 (6,10)	.152 (3,86)	1/2 (12,70)
13SPRT083	3/8 (9,53)	.240 (6,10)	.152 (3,86)	9/16 (14,29)
13SPRT084	3/8 (9,53)	.240 (6,10)	.152 (3,86)	5/8 (15,88)
13SPRT085	3/8 (9,53)	.240 (6,10)	.152 (3,86)	11/16 (17,46)

SPACERS

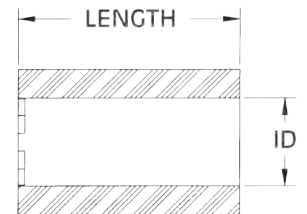
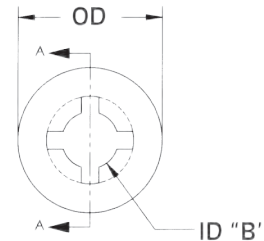
SECTION
V

ITEM NUMBER	OD	ID	ID "B"	LENGTH
13SPRT086	3/8 (9,53)	.240 (6,10)	.152 (3,86)	3/4 (19,05)
13SPRT087	3/8 (9,53)	.240 (6,10)	.152 (3,86)	13/16 (20,64)
13SPRT088	3/8 (9,53)	.240 (6,10)	.152 (3,86)	7/8 (22,23)
13SPRT089	3/8 (9,53)	.240 (6,10)	.152 (3,86)	15/16 (23,81)
13SPRT090	3/8 (9,53)	.240 (6,10)	.152 (3,86)	1 (25,40)
13SPRT091	1/2 (12,70)	.277 (7,04)	.177 (4,50)	1/8 (3,18)
13SPRT092	1/2 (12,70)	.277 (7,04)	.177 (4,50)	3/16 (4,76)
13SPRT093	1/2 (12,70)	.277 (7,04)	.177 (4,50)	1/4 (6,35)
13SPRT094	1/2 (12,70)	.277 (7,04)	.177 (4,50)	5/16 (7,94)
13SPRT095	1/2 (12,70)	.277 (7,04)	.177 (4,50)	3/8 (9,53)
13SPRT096	1/2 (12,70)	.277 (7,04)	.177 (4,50)	7/16 (11,11)
13SPRT097	1/2 (12,70)	.277 (7,04)	.177 (4,50)	1/2 (12,70)
13SPRT098	1/2 (12,70)	.277 (7,04)	.177 (4,50)	9/16 (14,29)
13SPRT099	1/2 (12,70)	.277 (7,04)	.177 (4,50)	5/8 (15,88)
13SPRT100	1/2 (12,70)	.277 (7,04)	.177 (4,50)	11/16 (17,46)
13SPRT101	1/2 (12,70)	.277 (7,04)	.177 (4,50)	3/4 (19,05)
13SPRT102	1/2 (12,70)	.277 (7,04)	.177 (4,50)	13/16 (20,64)
13SPRT103	1/2 (12,70)	.277 (7,04)	.177 (4,50)	7/8 (22,23)
13SPRT104	1/2 (12,70)	.277 (7,04)	.177 (4,50)	15/16 (23,81)
13SPRT105	1/2 (12,70)	.277 (7,04)	.177 (4,50)	1 (25,40)
13SPRT106	1/2 (12,70)	.375 (9,53)	.234 (5,94)	1/8 (3,18)
13SPRT107	1/2 (12,70)	.375 (9,53)	.234 (5,94)	3/16 (4,76)
13SPRT108	1/2 (12,70)	.375 (9,53)	.234 (5,94)	1/4 (6,35)
13SPRT109	1/2 (12,70)	.375 (9,53)	.234 (5,94)	5/16 (7,94)
13SPRT110	1/2 (12,70)	.375 (9,53)	.234 (5,94)	3/8 (9,53)
13SPRT111	1/2 (12,70)	.375 (9,53)	.234 (5,94)	7/16 (11,11)
13SPRT112	1/2 (12,70)	.375 (9,53)	.234 (5,94)	1/2 (12,70)
13SPRT113	1/2 (12,70)	.375 (9,53)	.234 (5,94)	9/16 (14,29)
13SPRT114	1/2 (12,70)	.375 (9,53)	.234 (5,94)	5/8 (15,88)
13SPRT115	1/2 (12,70)	.375 (9,53)	.234 (5,94)	11/16 (17,46)
13SPRT116	1/2 (12,70)	.375 (9,53)	.234 (5,94)	3/4 (19,05)
13SPRT117	1/2 (12,70)	.375 (9,53)	.234 (5,94)	13/16 (20,64)
13SPRT118	1/2 (12,70)	.375 (9,53)	.234 (5,94)	7/8 (22,23)
13SPRT119	1/2 (12,70)	.375 (9,53)	.234 (5,94)	15/16 (23,81)
13SPRT120	1/2 (12,70)	.375 (9,53)	.234 (5,94)	1 (25,40)
13SPRT121	1/4 (6,35)	.156 (3,96)	.102 (2,59)	19/32 (15,06)
13SPRT122	1/4 (6,35)	.115 (2,92)	.078 (1,98)	5/32 (15,06)

RETAINING SPACERS

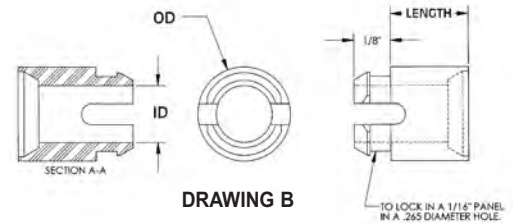
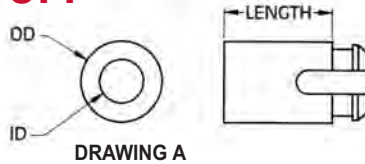
Molded in Natural Nylon 6/6

Similar to our standard spacers, but with a specially configured ID designed to grip the screw shank. The spacer remains attached to the screw, for quick, easy assembly.

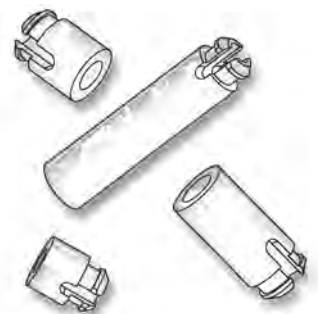


SPECIAL SNAP-IN STANDOFF

Molded in Natural Nylon 6/6



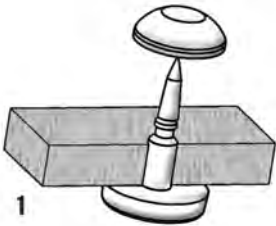
ITEM NUMBER	SCREW SIZE	PANEL THICKNESS	HOLE SIZE	LENGTH	OD	ID	DRAWING
13SS003094	3	1/16" (1,58)	.187 (4,75)	.945 (24,0)	1/4" (6,35)	.106 (2,69)	A
13SS004018	4	1/16" (1,58)	.187 (4,75)	.187 (4,75)	.250 (6,35)	.125 (3,18)	A
13SS006037	6	1/16" (1,58)	.234 (5,95)	3/8" (9,53)	9/32" (7,14)	.153 (3,89)	A
13SS008037	8	1/16" (1,58)	.234 (5,95)	3/8" (9,53)	9/32" (7,14)	.169 (4,29)	A
13SS008050	8	1/16" (1,58)	.234 (5,95)	1/2" (12,70)	9/32" (7,14)	.169 (4,29)	A
13SS010265	10	1/16" (1,58)	.265 (6,73)	.265 (6,73)	.316 (8,03)	.190 (4,83)	B
13SS010375	10	1/16" (1,58)	.265 (6,73)	.375 (9,53)	.316 (8,03)	.190 (4,83)	B



PANEL FASTENERS AND HOLE PLUGS

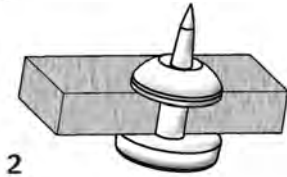
SECTION VI

SNAP TACKS

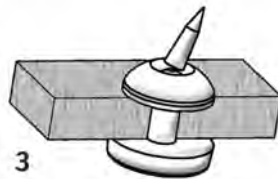


Micro Plastics' 2 piece snap tack consists of a male acetal tack and a female nylon button retainer. The tack has a sharp point for piercing soft materials that will not require a pre-punched hole.

Easily assembled by pushing the tack through the front of the soft material and pushing the retainer to the **second** detent - no tools required.



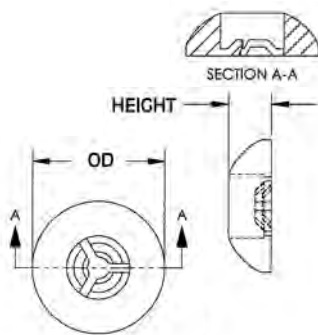
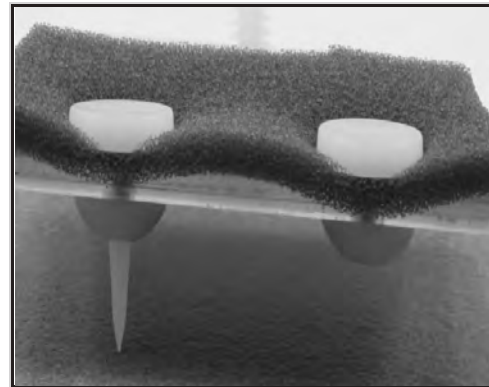
After assembly simply break off the pointed end and the remaining end is shielded by the retainer.



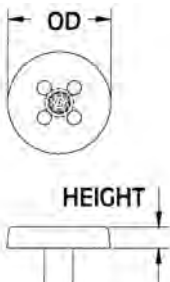
CAUTION the point is very sharp and can pierce your skin.

Watch Instructional Video

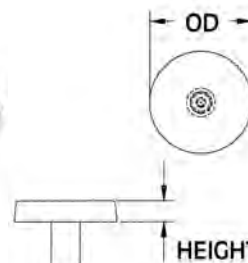
[mms://www.microplastics.com/productvideos/SnapTacks.asf](https://www.microplastics.com/productvideos/SnapTacks.asf)



FEMALE BUTTON



BUTTON MALE TACK



MALE TACK



ITEM NUMBER	DESCRIPTION	ITEM NUMBER	DESCRIPTION	OD	HEIGHT
27STF375	3/8" Female Button	27STMB430188	3/16" Button Male Tack	7/16"	3/32"
OD	3/8"	27STM430062	1/16" Male Tack	7/16"	3/32"
HEIGHT	1/8"	27STM430125	1/8" Male Tack	7/16"	3/32"
		27STM430188	3/16" Male Tack	7/16"	3/32"

DOME AND TACK

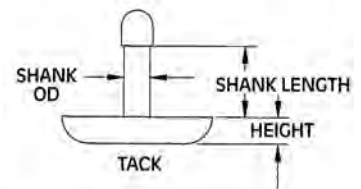
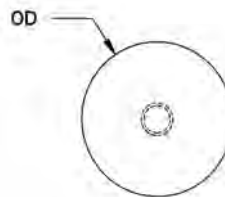
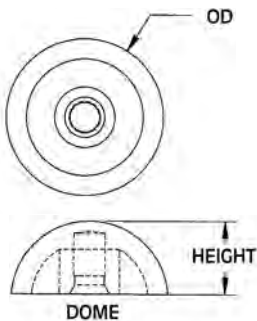
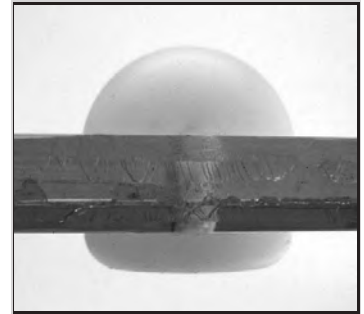
Watch Instructional Video

[mms://www.microplastics.com/productvideos/DomeAndTack.asf](https://www.microplastics.com/productvideos/DomeAndTack.asf)

Molded in Natural Nylon 6/6

Micro Plastics' two piece dome and tack molded nylon fastener has the locking mechanism totally enclosed to prevent tampering. No exterior sharp edges after part is assembled.

"The dome and tack was originally made for and can be used to make the sea-band type of anti nausea bracelets or bands that are worn around the wrist to prevent motion sickness or nausea. The dome is designed to contact the acupuncture point on the wrist. The tack pierces the fabric and holds the dome on the inside of the bracelet or band. Can also be used for a variety of thin-panel fastening applications."



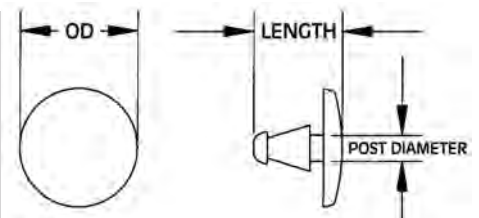
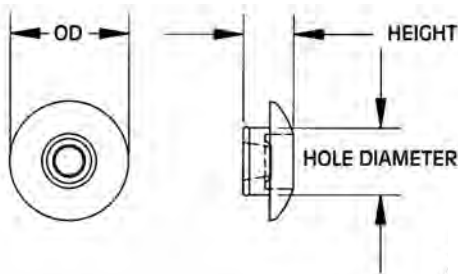
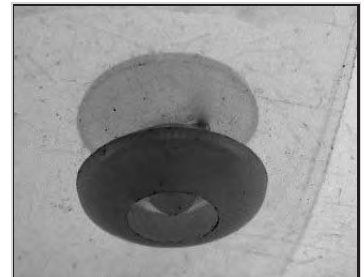
ITEM NUMBER	HEIGHT	OD
27DM070	13/64	7/16

ITEM NUMBER	PANEL THICKNESS	SHANK LENGTH	OD	HEIGHT	SHANK OD
27TM070188	3/16	.200 REF.	7/16	.075	.075 REF.

FEMALE & MALE RIVET

Molded in Natural Nylon 6/6

Two piece Nylon 6/6 rivet for flexible plastic I.D. or security bracelet. Male and female rivets snap into pre-punched holes in plastic bracelet and then snap together. Very difficult to remove without damaging. Parts are molded in natural Nylon 6/6, black is also available upon request.



FEMALE RIVET

MALE RIVET



ITEM NUMBER	OD	HOLE DIAMETER	HEIGHT
27MRF22	.380 (9,65)	.213 (5,41)	.160 (4,06)

ITEM NUMBER	OD	POST DIAMETER	LENGTH
27MRM218125	.375 (9,53)	.081 (2,06)	.283 (7,19)

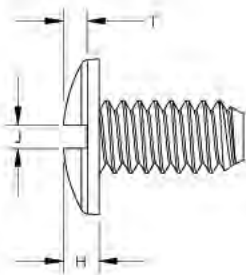
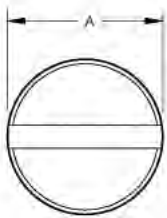
PANEL FASTENERS AND HOLE PLUGS

SECTION VI

POSTS AND SCREWS

Molded in **CLEAR Polycarbonate**

Molded in polycarbonate material. Stronger and more durable for industrial applications. Low cost, transparent fastener: female-threaded headed bushing and slotted-head machine screw.



SCREWS

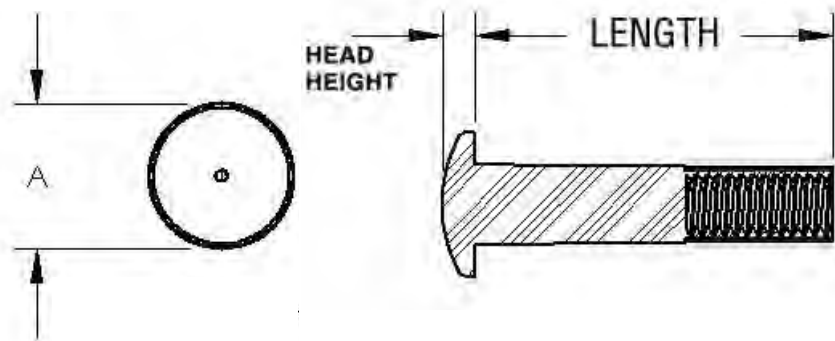
SCREW AND POST ARE SOLD SEPARATELY

ITEM NUMBER	SCREW SIZE	THREAD	A	H	J	T	LENGTH
010832POST025PC	8	832	.355	.093	.060	.062	1/4
010832POST037PC	8	832	.406	.093	.060	.062	3/8

Posts and Screws can also be purchased molded in Black or White Nylon.

Simple, effective, fast binding solution for a variety of applications, including;

- architectural drawings
- paper, scrap booking
- swatch book fabric
- acrylic displays
- leather



THREADED POSTS

ITEM NUMBER	THREAD	POST OUTSIDE DIA.	LENGTH	A	HEAD HEIGHT	SCREW LENGTH
27POST8320250	832	7/32	1/4	23/64	.093	1/4
27POST8320375	832	7/32	3/8	13/32	.093	3/8
27POST8320500	832	7/32	1/2	13/32	.093	3/8
27POST8320625	832	7/32	5/8	13/32	.093	3/8
27POST8320750	832	7/32	3/4	13/32	.093	3/8
27POST8320875	832	7/32	7/8	13/32	.093	3/8
27POST8321000	832	7/32	1	13/32	.093	3/8

PANEL FASTENERS AND HOLE PLUGS

SECTION
VI



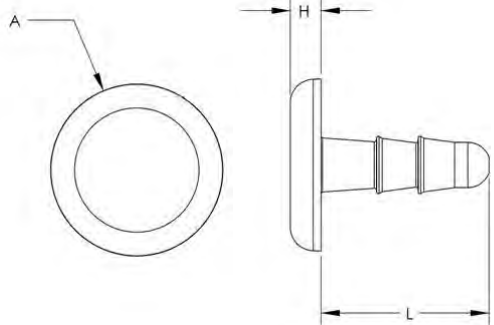
- architectural drawings
- paper, scrap booking
- swatch book fabric
- acrylic displays
- leather

POST AND PIN

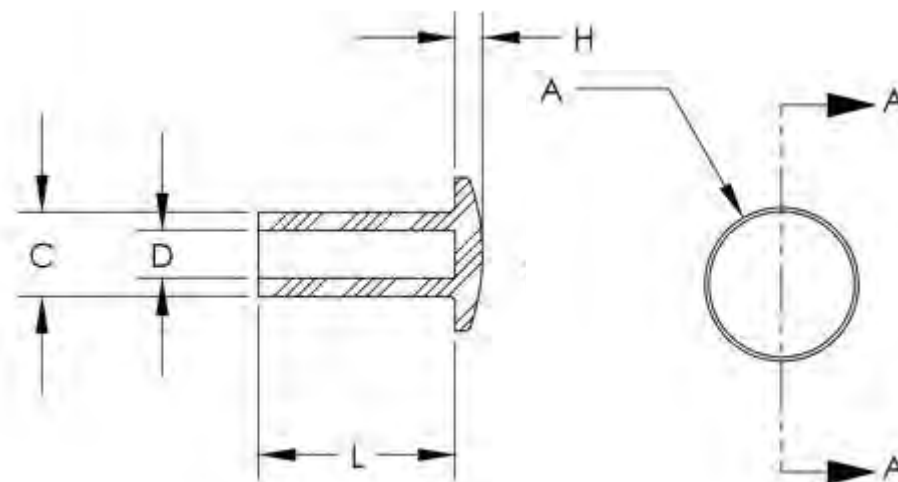
PIN Molded in WHITE Polycarbonate -POSTS Molded in WHITE Polyethylene

The pin is molded in white Polycarbonate material and the different length posts are molded in white polyethylene. The combination fasteners are intended for a one time assembly. The posts and pins are sold separately. These posts and pin fasteners provide a cost effective way for binding applications such as displays, swatch book fabrics, leather and scrap booking. One size pin fits all lengths of posts. Posts are available in 1/2, 5/8, 3/4, 1 and 1 1/4 lengths. Additional lengths available between 1/2 and 1 1/4 long in reasonable quantities.

PIN



NON THREADED POSTS



POSTS

ITEM NUMBER	A HEAD DIAMETER	C BODY DIAMETER	D ID	H HEAD HEIGHT	L BODY LENGTH
27POSTNT0500	.390 (9,91)	.214 (5,44)	.122 (3,10)	.070 (1,78)	.500 (12,70)
27POSTNT0625	.390 (9,91)	.214 (5,44)	.122 (3,10)	.070 (1,78)	.625 (15,88)
27POSTNT0750	.390 (9,91)	.214 (5,44)	.122 (3,10)	.070 (1,78)	.750 (19,05)
27POSTNT1000	.390 (9,91)	.214 (5,44)	.122 (3,10)	.070 (1,78)	1.000 (25,40)
27POSTNT1250	.390 (9,91)	.214 (5,44)	.122 (3,10)	.070 (1,78)	1.250 (31,75)

PIN

ITEM NUMBER	A HEAD DIAMETER	H HEAD HEIGHT	L LENGTH
27PP001	.437 (11,10)	.078 (1,98)	.425 (10,80)

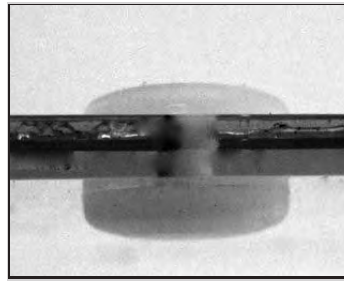
PANEL FASTENERS AND HOLE PLUGS

SECTION VI

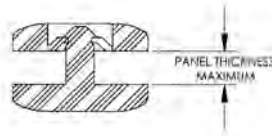
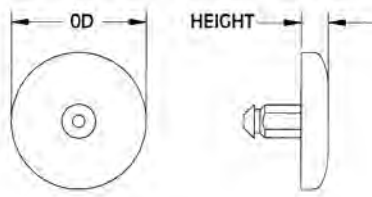
MINI RIVETS

Molded in Natural Nylon 6/6

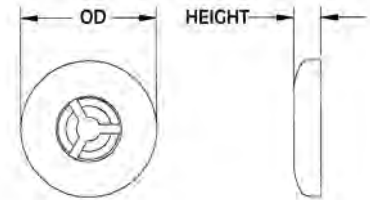
Micro Plastics' Mini Rivets consist of a male and female component. Mini Rivets are used to fasten a variety of materials. Simply press together for fast, easy assembly. Male and female rivets are packaged and sold separately. Mini Rivets are molded in natural Nylon 6/6 but are available in black upon request.



MALE MINI RIVET



FEMALE MINI RIVET



PART NUMBER	DESCRIPTION	HOLE SIZE	PANEL THICKNESS	OD	HEIGHT	SHANK OD
27MRM060010	MALE MINI RIVET	1/16 (1,57)	.010 (0,25)	1/4" (6,35)	.050 (1,27)	.060 (1,52)
27MRM060020	MALE MINI RIVET		.020 (0,51)	1/4" (6,35)	.050 (1,27)	.060 (1,52)
27MRM060030	MALE MINI RIVET		.030 (0,76)	1/4" (6,35)	.050 (1,27)	.060 (1,52)
27MRM060045	MALE MINI RIVET		.045 (1,14)	1/4" (6,35)	.050 (1,27)	.060 (1,52)
27MRM060062	MALE MINI RIVET		.062 (1,57)	1/4" (6,35)	.050 (1,27)	.060 (1,52)
27MRM060075	MALE MINI RIVET		.075 (1,91)	1/4" (6,35)	.050 (1,27)	.060 (1,52)
*27MRF06	FEMALE MINI RIVET			1/4" (6,35)	.050 (1,27)	

* FOR USE WITH ALL .060 MALE RIVETS

PART NUMBER	DESCRIPTION	HOLE SIZE	PANEL THICKNESS	OD	HEIGHT	SHANK OD
27MRM090020	MALE MINI RIVET	3/32 (2,36)	.020 (0,51)	3/8" (9,53)	.075 (1,91)	.094 (2,39)
27MRM090032	MALE MINI RIVET		.032 (0,81)	3/8" (9,53)	.075 (1,91)	.094 (2,39)
27MRM090045	MALE MINI RIVET		.045 (1,14)	3/8" (9,53)	.075 (1,91)	.094 (2,39)
27MRM090062	MALE MINI RIVET		.062 (1,57)	3/8" (9,53)	.075 (1,91)	.094 (2,39)
27MRM090075	MALE MINI RIVET		.075 (1,91)	3/8" (9,53)	.075 (1,91)	.094 (2,39)
27MRM090090	MALE MINI RIVET		.090 (2,29)	3/8" (9,53)	.075 (1,91)	.094 (2,39)
27MRM090112	MALE MINI RIVET		.125 (3,18)	3/8" (9,53)	.075 (1,91)	.094 (2,39)
27MRM090312	MALE MINI RIVET		.312 (7,92)	3/8" (9,53)	.075 (1,91)	.094 (2,39)
*27MRF09	FEMALE MINI RIVET			3/8" (9,53)	.075 (1,91)	

* FOR USE WITH ALL .094 MALE RIVETS

PART NUMBER	DESCRIPTION	HOLE SIZE	PANEL THICKNESS	OD	HEIGHT	SHANK OD
27MRM125032	MALE MINI RIVET	1/8 (3,18)	.032 (0,81)	1/2" (12,70)	.100 (2,54)	.125 (3,18)
27MRM125045	MALE MINI RIVET		.045 (1,14)	1/2" (12,70)	.100 (2,54)	.125 (3,18)
27MRM125062	MALE MINI RIVET		.062 (1,57)	1/2" (12,70)	.100 (2,54)	.125 (3,18)
27MRM125093	MALE MINI RIVET		.093 (2,36)	1/2" (12,70)	.100 (2,54)	.125 (3,18)
27MRM125125	MALE MINI RIVET		.125 (3,18)	1/2" (12,70)	.100 (2,54)	.125 (3,18)
27MRM125143	MALE MINI RIVET		.143 (1,09)	1/2" (12,70)	.100 (2,54)	.125 (3,18)
27MRM125187	MALE MINI RIVET		.187 (4,75)	1/2" (12,70)	.100 (2,54)	.125 (3,18)
27MRM125325	MALE MINI RIVET		.325 (8,26)	1/2" (12,70)	.100 (2,54)	.125 (3,18)
*27MRF12	FEMALE MINI RIVET			1/2" (12,70)	.100 (2,54)	

* FOR USE WITH ALL .125 MALE RIVETS

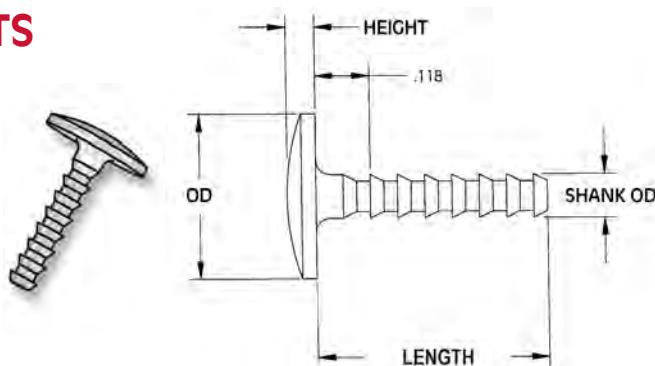
PANEL FASTENERS AND HOLE PLUGS

SECTION
VI

ADJUSTABLE MALE MINI RIVETS

Molded in **Natural Nylon 6/6**

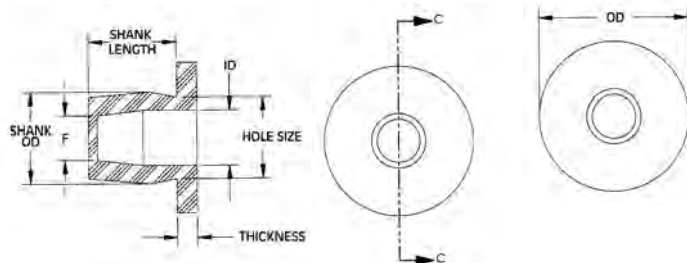
Adjustable male mini rivets are designed to be used with Micro Plastics' female mini rivets. Rivets are molded in tough, resilient, corrosion and chemical resistant Nylon 6/6 material. Variable length rivets can be used to fasten and control computer sheets, catalogs, samples and many other objects. Simply push the adjustable rivet through pre-punched holes, secure with a female mini rivet and clip to desired length.



PART NUMBER	OD	SHANK OD	HEIGHT	LENGTH	PANEL THICKNESS	
27AMR1252187	1/2 (12,70)	.123 (3,12)	1/16 (1,57)	2 5/16" (58,72)	1/8 - 2 3/16 (3,18-55,55)	FOR USE WITH 27MRP12 FEMALE MINI RIVET
27AMR0940375	.354 (8,99)	.094 (2,39)	.062 (1,57)	3/8" (9,52)	.070-.290 (1,77-7,36)	FOR USE WITH 27MRP09 FEMALE MINI RIVET
27AMR0940500	.354 (8,99)	.094 (2,39)	1/16 (1,57)	1/2" (12,70)	1/16 - 3/8 (1,57-9,53)	FOR USE WITH 27MRP09 FEMALE MINI RIVET

TUBULAR EMBLEM CLIPS

Molded in **Natural Polyethylene**



Micro Plastic's Tubular Emblem Clips or Speed Nut Clips offer a low substitute to the expensive all metal or metal/rubber clips. These easily installed molded low density polyethylene clips eliminate paint and surface damage. The inevitable rust associated with the sharp metal parts they replace is also eliminated by the electrically insulating, non-cathodic plastic clip.

ITEM NUMBER	DESCRIPTION	OD	THICKNESS	SHANK OD	ID	HOLE SIZE REF.	SHANK LENGTH
60TC125250	1/8 X .250 TUBE CLIP	11/32 (8,73)	.046 (1,17)	.209 (5,31)	.125 (3,17)	.187 (4,76)	.200 (5,08)
60TC155200 *	5/32 X .200 TUBE CLIP	11/32 (8,73)	.046 (1,17)	.239 (6,07)	.155 (3,94)	.220 (5,59)	.150 (3,81)
60TC155360	5/32 X .360 TUBE CLIP	11/32 (8,73)	.046 (1,17)	.239 (6,07)	.155 (3,94)	.220 (5,59)	.310 (7,88)
60TC155600	5/32 X .600 TUBE CLIP	11/32 (8,73)	.046 (1,17)	.239 (6,07)	.155 (3,94)	.220 (5,59)	.550 (13,97)

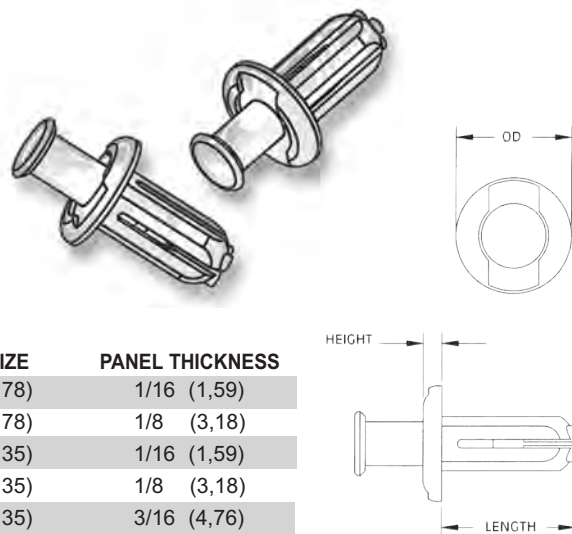
* I.D. HAS A THRU HOLE

TWO-PIECE REMOVABLE RIVETS

Molded in **Natural Nylon 6/6**

Removable rivets are two-piece nylon rivets which can be removed by retracting the pin, and then the body. The body incorporates a slot in line with the pin so that the pin can be removed by inserting a small screw driver, other sharp edge, or even a fingernail underneath the head of the pin.

* In addition to working in a .250 round hole, part number 61RR250500, will also fit the .210"/.218" square hole found in the "darling" type shelf commonly used in retail stores.



PART NUMBER	OD	HEIGHT	LENGTH	HOLE SIZE	PANEL THICKNESS
61RR188062	3/8 (9,53)	.07 (1,78)	1/2 (12,70)	.188 (4,78)	1/16 (1,59)
61RR188125	3/8 (9,53)	.07 (1,78)	1/2 (12,70)	.188 (4,78)	1/8 (3,18)
* 61RR250500	7/16 (11,11)	.07 (1,78)	1/2 (12,70)	.250 (6,35)	1/16 (1,59)
61RR250125	7/16 (11,11)	.07 (1,78)	1/2 (12,70)	.250 (6,35)	1/8 (3,18)
61RR250188	7/16 (11,11)	.07 (1,78)	1/2 (12,70)	.250 (6,35)	3/16 (4,76)

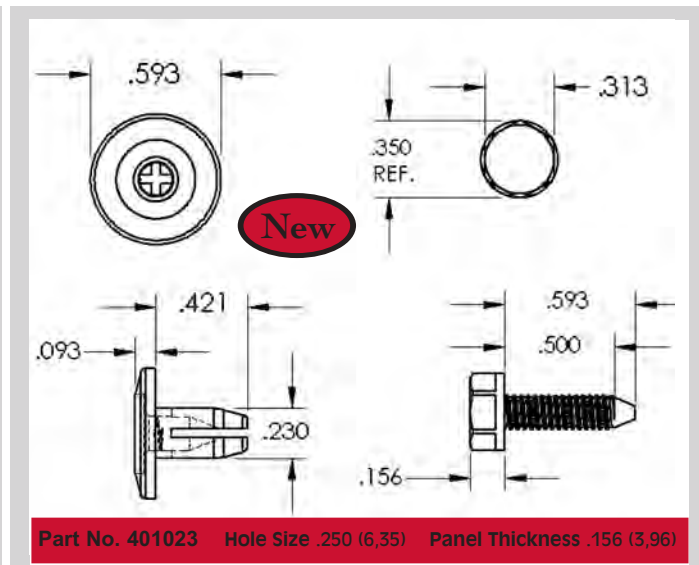
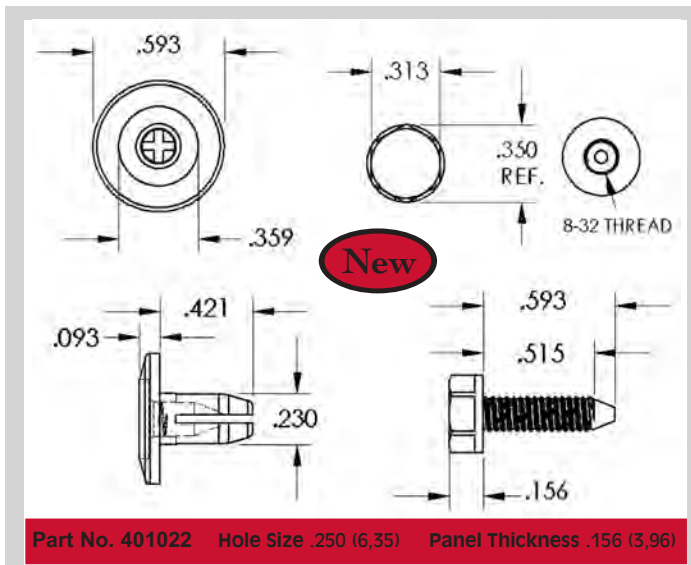
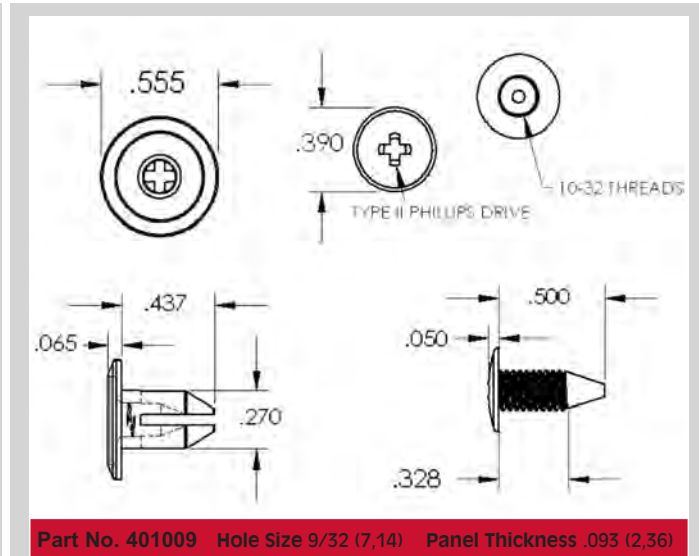
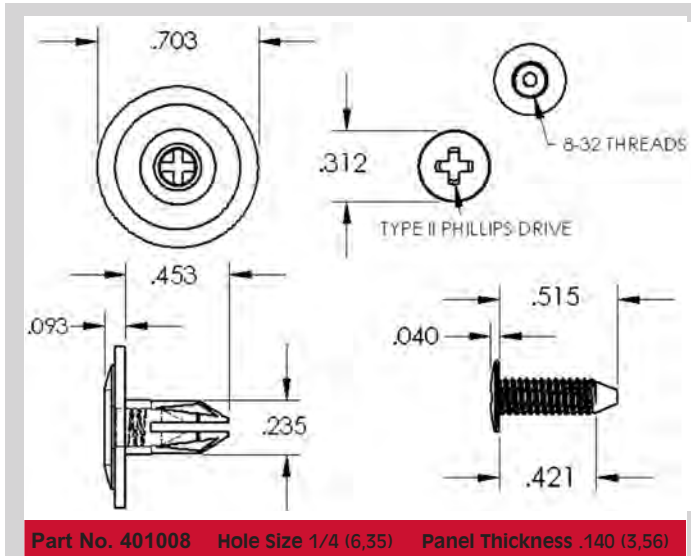
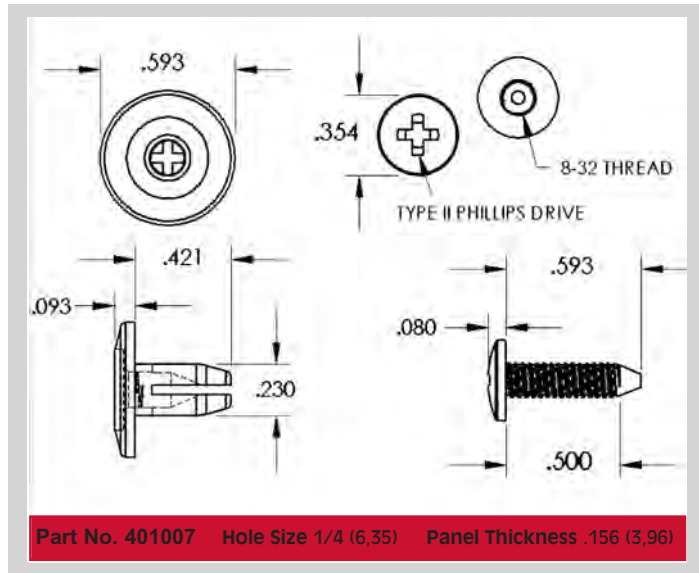
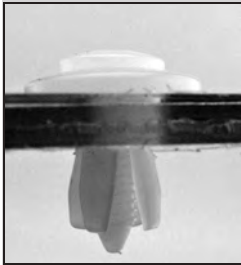
PANEL FASTENERS AND HOLE PLUGS

SECTION VI

"SPECIAL ITEM" 2 PC SCREW RIVETS

Molded in **Natural Nylon 6/6**

Micro Plastics' two-piece screw rivets are designed to fasten larger components or small assemblies to their mating panels. Pressing or tapping the screw through the body creates a secure insulated connection. In addition the screw may be removed with a phillips screw driver and the fastener re-used.



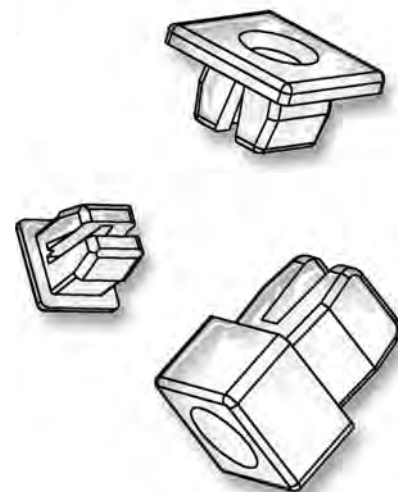
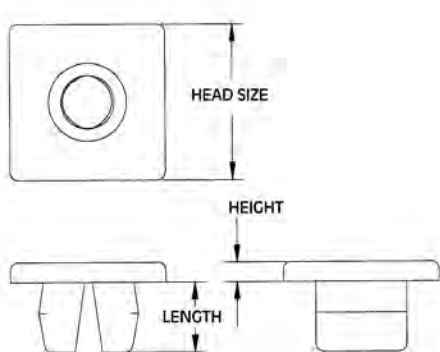
PANEL FASTENERS AND HOLE PLUGS

SECTION
VI

GROMMET NUTS

Molded in **Natural Nylon 6/6**

Micro Plastics' Open Poly Grommet Nuts provide a low cost, positive connection of thin gauge materials while they eliminate cross threading. The specially designed locks snap into a pre-punched square hole. As the self-threading sheet metal screw is tightened, the Poly Grommet expands and securely locks the screw and assembled parts in place. The Grommet will provide a corrosion and vibration resistant connection and can be used to insulate areas of an assembly from electrical and thermal transfer. Some of the more common sizes that we have initially tooled are shown below. Because of unique tooling approach, we can vary this design over a wide range. Request the size you need. Poly Grommets are molded in Nylon 6/6 and can be dyed or molded in various colors. Different plastic materials can be substituted. Naturally, changes in our standard product will involve additional costs. Let us know what you need.



SQUARE HEAD

PART NUMBER	HOLE SIZE RCT	PANEL THICKNESS	SCREW SIZE	HEAD SIZE	HEIGHT	LENGTH
60SGN00001	.275/.290 (6,99/7,37)	.031/.125 (0,79/3,18)	8-10	3/8 (9,53)	.031 (0,79)	.320 (8,13)
60SGN00002	.275/.290 (6,99/7,37)	.031/.125 (0,79/3,18)	8-10	3/8 (9,53)	.062 (1,57)	.320 (8,13)
60SGN00003	.275/.290 (6,99/7,37)	.031/.125 (0,79/3,18)	8-10	.375 (9,53)	.125 (3,18)	.320 (8,13)
60SGN00004	.275/.290 (6,99/7,37)	.031/.125 (0,79/3,18)	8-10	3/8 (9,53)	.250 (6,35)	.320 (8,13)
60SGN00006	.250/.260 (6,35/6,61)	.031/.115 (0,79/2,92)	6	.435 (11,05)	.094 (2,39)	.220 (5,59)
60SGN00007	.270/.270 (6,86/6,86)	.062/.275 (1,57/6,99)	6	.375/500 (9,53/12,70)	.031 (0,79)	.435 (11,05)
60SGN00015	.370/.380 (9,40/9,65)	.031/.156 (0,79/3,96)	10	5/8 (15,87)	.078 (1,98)	.325 (8,25)
60SGN00912	.225/.255 (5,71/6,48)	.031/.125 (0,79/3,18)	8	.375 (9,53)	.187 (4,75)	.300 (7,62)
60SGN00913	.250/.250 (6,35/6,35)	.031/.060 (0,79/1,52)	8-10	13/32 (10,31)	.030 (0,76)	9/32 (7,14)
60SGN00915	.245/.255 (6,22/6,48)	.031/.125 (0,79/3,18)	6-8	3/8 (9,53)	1/32 (0,79)	9/32 (7,14)
60SGN01000	.250/.255 (6,35/6,48)	.110/.125 (2,79/3,18)	6	.375 (9,53)	.031 (0,79)	.265 (6,73)
60SGN01012	.173/.178 (4,39/4,52)	.031/.078 (0,79/1,98)	4	.218 (5,54)	.250 (6,35)	.218 (5,54)
60SGN01014	.250/.270 (6,35/6,86)	.062/.155 (1,57/3,94)	6	.375 (9,53)	.032 (0,81)	.312 (7,92)
60SGN01016	.285/.295 (7,24/7,49)	.078/.175 (1,98/4,45)	8	.380 (9,65)	.045 (1,14)	.340 (8,64)
60SGN01020	.275/.280 (6,99/7,11)	.040/.045 (1,02/1,14)	8-10	.370 (9,40)	.032 (0,81)	.330 (8,38)
60SGN01122	.350/.355 (8,89/9,02)	.218/.230 (5,54/5,84)	8-10	.475 (12,07)	.064 (1,63)	.421 (10,69)
60SGN01125	.370/.390 (9,40/9,91)	.064/.187 (1,57/4,75)	10	39/64 (15,47)	.085 (2,16)	.290 (7,37)
60SGN01126	.305/.315 (7,75/8,00)	.031/.175 (0,79/4,44)	8	.470 (11,94)	.060 (1,52)	.300 (7,62)
60SGN01130	.370/.375 (9,40/9,52)	.031/.100 (0,79/2,54)	12	.620 (15,75)	.080 (2,03)	.275 (6,98)
60SGN01135	.173/.178 (4,39/4,52)	.031/.078 (0,79/1,98)	4	.218 (5,54)	.050 (1,27)	.218 (5,54)
60SGN01145	.270/.310 (6,85/7,87)	.031/.170 (0,79/4,32)	8	.405 (10,29)	.062 (1,57)	.312 (7,92)
60SGN01150	.310/.310 (7,87/7,87)	.031/.170 (0,79/4,32)	10	.465 (11,81)	.062 (1,57)	.295 (7,49)
60SGN01154	.320/.320 (8,12/8,12)	.031/.155 (0,79/3,93)	10	.650 (16,51)	.072 (1/82)	.305 (7,74)
60SGN01155	.245/.250 (6,22/6,35)	.047/.095 (1,19/2,41)	2	.375 (9,52)	.032 (0,81)	.240 (6,07)
60SGN01160	.335/.340 (8,52/8,64)	.062/.125 (1,58/3,17)	8	.512 (12,96)	.075 (1,90)	.315 (8,00)
60SGN01165	.270/.270 (6,86/6,86)	.062/.125 (1,58/3,17)	6	.390 (9,90)	.050 (1,27)	.275 (6,99)
60SGN01170	.275/.285 (6,90/7,24)	.031/.125 (0,79/3,17)	4	.375 (9,53)	.050 (1,27)	.218 (5,54)

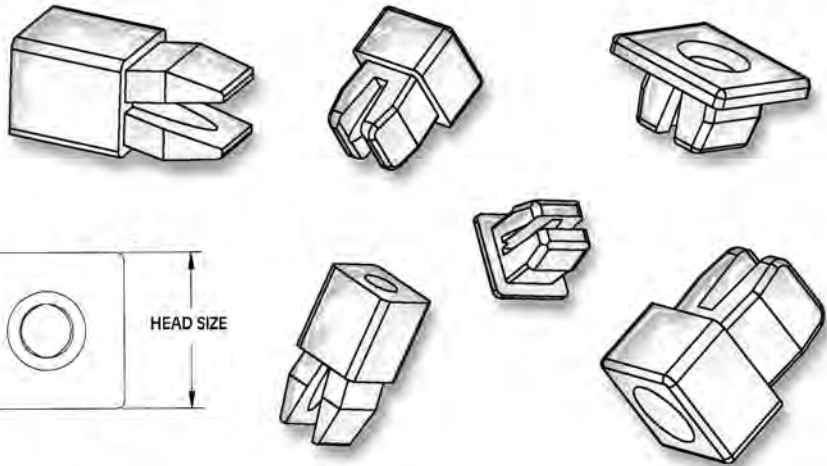
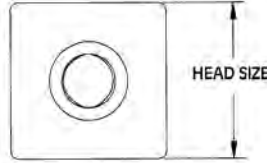
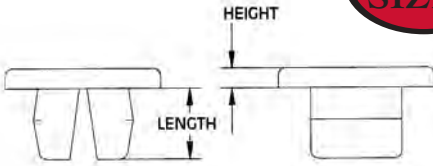
PANEL FASTENERS AND HOLE PLUGS

SECTION VI

GROMMET NUTS

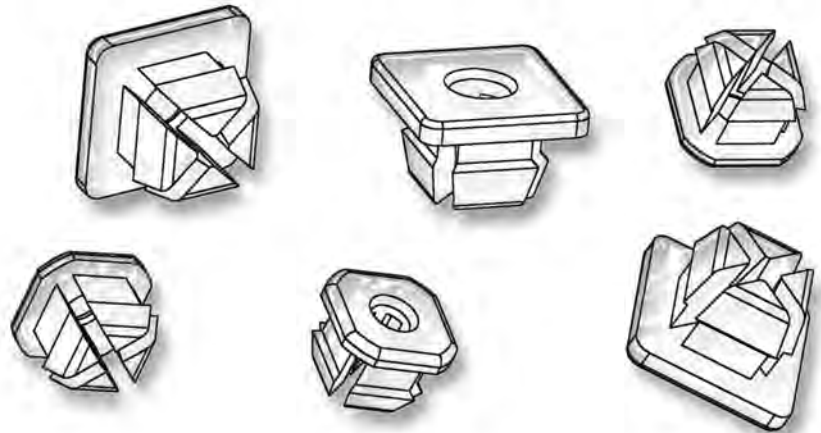
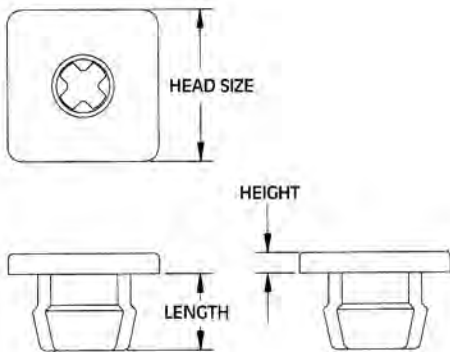
Molded in Natural Nylon 6/6

New SIZES



SQUARE HEAD

PART NUMBER	HOLE SIZE RCT	PANEL THICKNESS	SCREW SIZE	HEAD SIZE	HEIGHT	LENGTH
60SGN00914	.270/.275 (6,86/6,99)	.031/.109 (0,79/2,77)	6	3/8 (9,53)	.305 (7,75)	9/32 (7,14)
60SGN01154	.320/.320 (8,12/8,12)	.031/.155 (0,79/3,93)	10	.650 (16,51)	.072 (1,82)	.305 (7,74)
60SGN01171	.200/.270 (5,08/6,86)	.032/.156 (0,81/3,96)	6	.312/.437 (7,93/11,1)	.035 (0,89)	.312 (7,93)
60SGN01175	.275/.280 (6,99/7,11)	.062/.120 (1,60/3,05)	6	.390 (9,90)	.055 (1,40)	.281 (7,14)
60SGN01176	.260/.270 (6,61/6,86)	.093/.187 (2,36/4,75)	6	.410 (10,41)	.040 (1,02)	.310 (7,87)
60SGN01177	.275/.275 (6,99/6,99)	.187/.250 (4,76/6,35)	4	3/8 (9,53)	.035 (0,89)	.390 (9,92)
60SGN01178	.275/.275 (6,99/6,99)	.047/.180 (1,19/4,57)	8	.375 (9,53)	.032 (0,81)	.327 (8,31)
60SGN01179	.370/.445 (9,40/11,30)	.062/.120 (1,19/4,57)	1/4	5/8 (15,88)	.080 (2,04)	9/32 (7,14)
60SGN01180	.370/.375 (9,40/9,50)	.062/.120 (1,60/3,05)	1/4	.625 (15,90)	.080 (2,04)	.281 (7,14)
60SGN01182	.370/.375 (9,40/9,50)	.125/.250 (3,17/6,35)	1/4	5/8 (15,87)	.080 (2,04)	.406 (10,31)
60SGN01185	.320/.335 (8,08/8,51)	.032/.234 (0,81/5,94)	10	.470 (11,94)	.055 (1,40)	.420 (10,67)
60SGN01190	.335/.345 (8,51/8,76)	.062/.171 (1,58/4,35)	10	.468 (11,88)	.095 (2,42)	.400 (10,16)
60SGN01195	.330/.365 (8,38/9,28)	.032/.095 (0,81/2,41)	10	.493 (12,52)	.094 (2,39)	.295 (7,50)
60SGN01200	.250/.260 (6,35/6,61)	.062/.125 (1,58/3,18)	6	.375 (9,53)	.140 (3,56)	.265 (6,73)
60SGN03400	.312/.325 (7,92/8,25)	.171 (4,34)	10	.472 (11,98)	.059 (1,49)	.295 (7,49)



DOUBLE SPLIT SQUARE

PART NUMBER	HOLE SIZE RCT	PANEL THICKNESS	SCREW SIZE	HEAD SIZE	HEIGHT	LENGTH
60SGN01010	.377/.382 (9,58/9,70)	.125/.130 (3,18/3,30)	10	39/64 (15,48)	.082 (2,08)	.308 (7,82)
60SGN01015	.228/.233 (5,79/5,92)	.250/.271 (6,35/6,88)	8	.375 (9,53)	.031 (0,79)	.406 (10,31)
60SGN01018	.310/.315 (7,87/8,00)	.110/.115 (2,79/2,92)	8	.437 (11,10)	.078 (1,98)	.281 (7,14)
60SGN01019	.305/.310 (7,75/7,87)	.125/.135 (3,18/3,43)	8	.437 (11,10)	.062 (1,57)	.281 (7,14)
60SGN01021	.375/.390 (9,53/9,91)	.230 (5,48)	1/4	5/8 (15,88)	.080 (2,03)	.438 (11,13)
60SGN01025	.250/.250 (6,35/6,35)	.093/.275 (0,91/6,99)	8	.375 (9,53)	.047 (1,19)	.420 (10,67)
60SGN01128	.330/.330 (8,38/8,38)	.031/.125 (0,79/3,18)	8	.505 (12,83)	.032 (0,81)	.275 (6,98)
60SGN01030	.303 (7,70)	.031/.145 (0,79/3,68)	8-10	.435 (11,05)	.062 (1,57)	.270 (6,86)
60SGN01181	.410/.410 (10,42/10,42)	.031/.062 (0,79/1,58)	1/4	.630 (16,00)	.140 (3,56)	.280 (7,12)

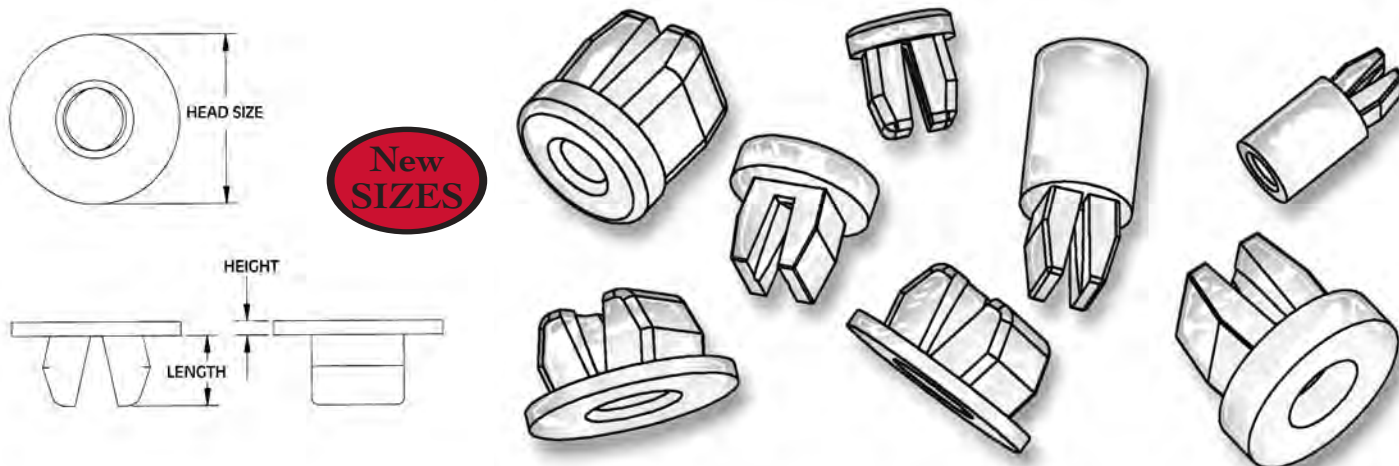
PANEL FASTENERS AND HOLE PLUGS

SECTION
VI

GROMMET NUTS

Molded in **Natural Nylon 6/6**

Micro Plastics' Open Poly Grommet Nuts provide a low cost, positive connection of thin gauge materials while they eliminate cross threading. The specially designed locks snap into a pre-punched square hole. As the self-threading sheet metal screw is tightened, the Poly Grommet expands and securely locks the screw and assembled parts in place. The Grommet will provide a corrosion and vibration resistant connection and can be used to insulate areas of an assembly from electrical and thermal transfer. Some of the more common sizes that we have initially tooled are shown below. Because of unique tooling approach, we can vary this design over a wide range. Request the size you need. Poly Grommets are molded in Nylon 6/6 and can be dyed or molded in various colors. Different plastic materials can be substituted. Naturally, changes in our standard product will involve additional costs. Let us know what you need.



ROUND HEAD

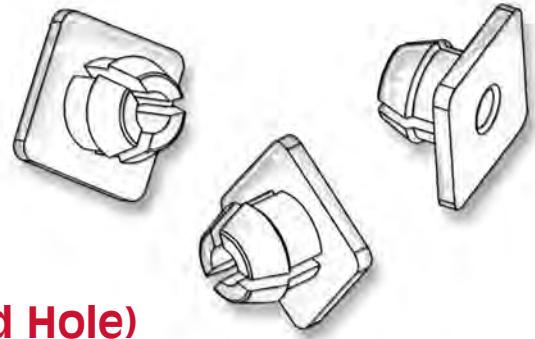
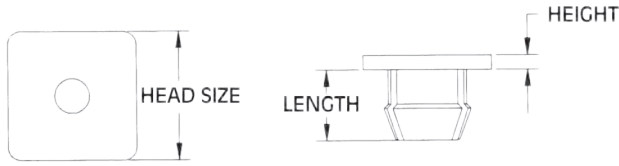
PART NUMBER	HOLE SIZE RCT	PANEL THICKNESS	SCREW SIZE	HEAD SIZE	HEIGHT	LENGTH
60SGN00005	.375/.375 (9,53/9,53)	.031/.125 (0,79/3,18)	1/4	5/8 (15,88)	1-1/16 (27,0)	9/32 (7,14)
60SGN00009	.270/.280 (6,86/7,11)	.062/.165 (1,57/4,19)	6	.375 (9,53)	.093 (2,36)	.300 (7,62)
60SGN00008	.267/.272 (6,78/6,91)	.031/.109 (0,79/2,77)	8-10	9/16 (14,29)	9/16 (14,29)	9/32 (7,14)
60SGN00010	.275/.290 (6,99/7,37)	.031/.125 (0,79/3,18)	8-10	.500 (12,70)	.031 (0,79)	.320 (8,13)
60SGN00011	.275/.290 (6,99/7,37)	.031/.125 (0,79/3,18)	8-10	.500 (12,70)	.062 (1,57)	.320 (8,13)
60SGN00012	.275/.290 (6,99/7,37)	.031/.125 (0,79/3,18)	8-10	.500 (12,70)	.125 (3,18)	.320 (8,13)
60SGN00013	.275/.290 (6,99/7,37)	.031/.125 (0,79/3,18)	8-10	.500 (12,70)	.250 (6,35)	.320 (8,13)
60SGN00014	.169/.177 (4,29/4,50)	.063 (1,60)	4	.264 (6,71)	.374 (9,50)	.217 (5,51)
60SGN00016	.275/.285 (6,99/7,24)	.031/.156 (0,79/3,96)	8-10	.500 (12,70)	.098 (2,49)	.325 (8,26)
60SGN00037	.347/.350 (8,81/8,89)	.031/.125 (0,78/3,17)	8	.662 (16,81)	.043 (1,09)	.390 (9,90)
60SGN00038	.275/.290 (6,99/7,37)	.031/.156 (0,79/3,96)	8	.500 (12,70)	.375 (9,53)	.320 (8,13)
60SGN00072	.275/.290 (6,99/7,37)	.031/.156 (0,79/3,96)	10	.500 (12,70)	.708 (17,98)	.315 (8,00)
60SGN00073	.280/.285 (7,11/7,24)	.032/.150 (0,81/3,81)	6	1/2 (12,70)	23/32(18,26)	11/32 (8,73)
60SGN00100	.275/.290 (6,99/7,37)	.031/.156 (0,79/3,96)	8-10	.437 (11,10)	.032 (0,81)	.325 (8,26)
60SGN00818	.275/.290 (6,99/7,37)	.031/.109 (0,79/2,77)	8-10	.547 (13,89)	1.062(26,97)	.281 (7,14)
60SGN00910	.281/.286 (7,14/7,26)	.031/.109 (0,79/2,77)	8-10	.492 (12,50)	.693 (17,60)	.281 (7,14)
60SGN00911	.281/.286 (7,14/7,26)	.031/.109 (0,79/2,77)	8-10	.492 (12,50)	.375 (9,53)	.281 (7,14)
60SGN01121	.350/.355 (8,89/9,02)	.032/.125 (0,81/3,18)	12	.534 (13,56)	.130 (3,30)	.281 (7,14)
60SGN01124	.350/.355 (8,89/9,02)	.032/.125 (0,81/3,18)	10	9/16" (14,29)	1/4" (6,35)	.320 (8,13)
60SGN01140	.310/.310 (7,87/7,87)	.031/.160 (0,79/4,06)	10	.500 (12,70)	.035 (0,89)	.292 (7,42)
60SGN01143	.310/.310 (7,87/7,87)	.031/.160 (0,79/4,06)	10	.500 (12,70)	.177 (4,50)	.292 (7,42)
60SGN02200	.425/.429 (10,80/10,90)	.031/.110 (0,79/2,79)	5/16	.740 (18,80)	.190 (4,83)	.312 (7,92)
60SGN02300	.415/.430 (10,54/10,92)	.032/.135 (0,81/3,43)	5/16	.750 (19,05)	.062 (1,57)	.310 (7,87)
60SGN02400	.325/.330 (8,26/8,38)	.031/.156 (0,79/3,96)	10	.565 (14,35)	.062 (1,57)	.320 (8,13)
60SGN02500	.275/.280 (6,99/6,86)	.062/.170 (1,57/4,32)	8	.495 (12,57)	.312 (7,92)	.325 (8,26)
60SGN02700	.415/.430 (10,54/10,92)	.071/.250 (1,80/6,35)	5/16	.750 (19,05)	.062 (1,57)	.430(10,92)

PANEL FASTENERS AND HOLE PLUGS

SECTION VI

GROMMET NUTS

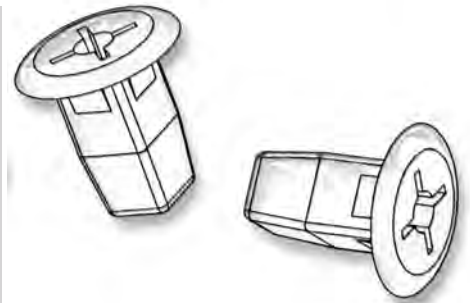
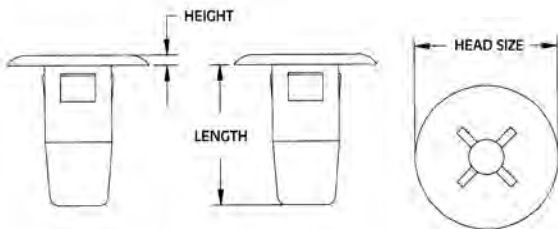
Molded in **Natural Nylon 6/6**



THREE LEGGED SQUARE HEAD (Fits Round Hole)

Molded in **Natural Nylon 6/6**

PART NUMBER	HOLE SIZE RND	PANEL THICKNESS	SCREW SIZE	HEAD SIZE	HEIGHT	LENGTH
60SGN03300	.300/.300 (7,62/7,62)	.031/.135 (0,78/3,43)	6	485 (12,32)	.055 (1,40)	.265 (6,73)

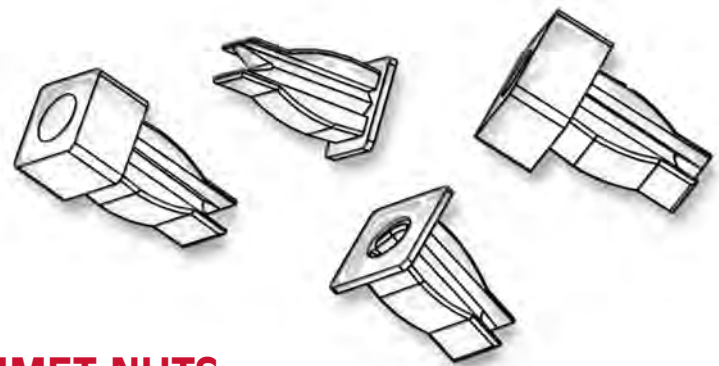
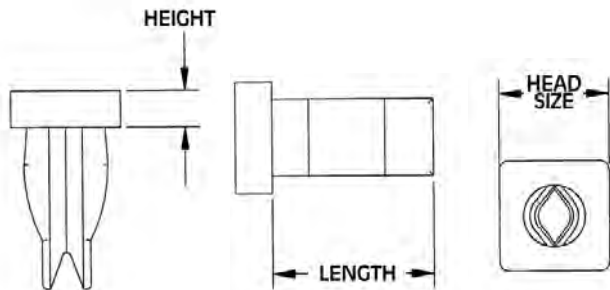


CLOSED GROMMET NUTS

Molded in **Natural Nylon 6/6**

PART NUMBER	HOLE SIZE RCT	PANEL THICKNESS	SCREW SIZE	HEAD SIZE	HEIGHT	LENGTH
60SGN01402*	.355/.355 (9,02/9,02)	.062/.350 (1,57/8,81)	10	.700 (17,78)	.050 (1,27)	.685 (17,40)

*ROUND HEAD



CLOSED SCREW STANDARD GROMMET NUTS

Molded in **Natural Nylon 6/6**

PART NUMBER	HOLE SIZE RCT	PANEL THICKNESS	SCREW SIZE	HEAD SIZE	HEIGHT	LENGTH
60SGC00001	.270-.290 (6,86/7,37)	.020-.140 (0,51/3,56)	8-10	.375 (9,53)	.031 (0,79)	.540 (13,7)
60SGC00002	.270-.290 (6,86/7,37)	.020-.140 (0,51/3,56)	8-10	.375 (9,53)	.062 (1,57)	.540 (13,7)
60SGC00003	.270-.290 (6,86/7,37)	.020-.140 (0,51/3,56)	8-10	.375 (9,53)	.125 (3,18)	.540 (13,7)
60SGC00004	.270-.290 (6,86/7,37)	.020-.140 (0,51/3,56)	8-10	.375 (9,53)	.250 (6,35)	.540 (13,7)
60SGC00005	.309-.315 (7,85/8,00)	.020-.140 (0,51/3,56)	8-10	.437 (11,1)	.031 (0,79)	.540 (13,7)
60SGC00006	.309-.315 (7,85/8,00)	.020-.140 (0,51/3,56)	8-10	.437 (11,1)	.062 (1,57)	.540 (13,7)
60SGC00007	.309-.315 (7,85/8,00)	.020-.140 (0,51/3,56)	8-10	.437 (11,1)	.125 (3,18)	.540 (13,7)
60SGC00008	.309-.315 (7,85/8,00)	.020-.140 (0,51/3,56)	8-10	.437 (11,1)	.250 (6,35)	.540 (13,7)
60SGC00010*	.250-.281 (6,35/7,14)	.020/.140 (0,51/3,56)	8-10	.375 (9,53)	.125 (3,18)	.438 (11,1)

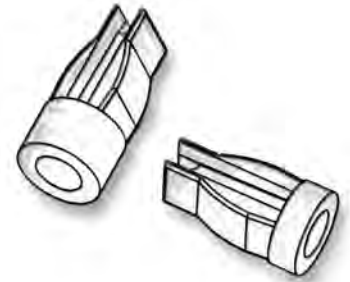
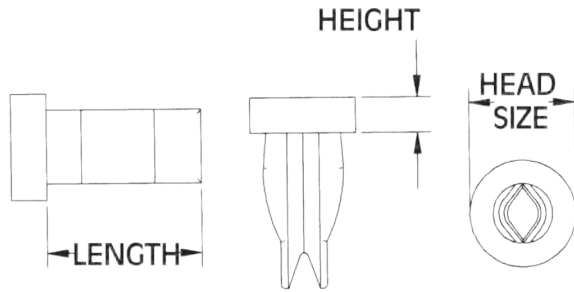
*ROUND HEAD

PANEL FASTENERS AND HOLE PLUGS

SECTION
VI

GROMMET NUTS

Molded in **Natural Nylon 6/6**



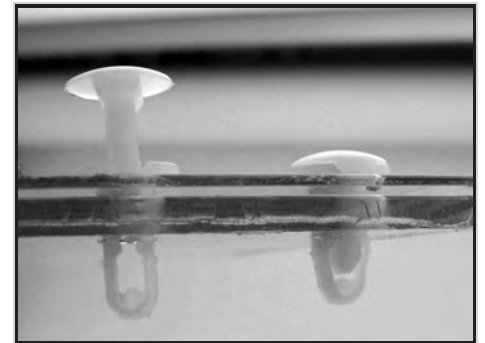
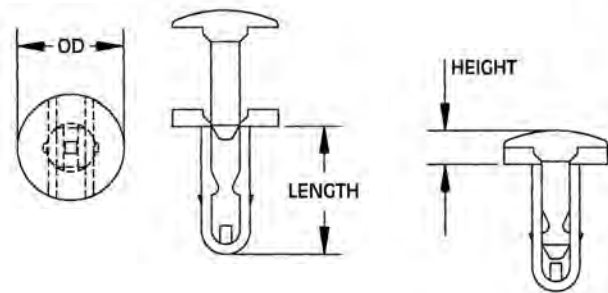
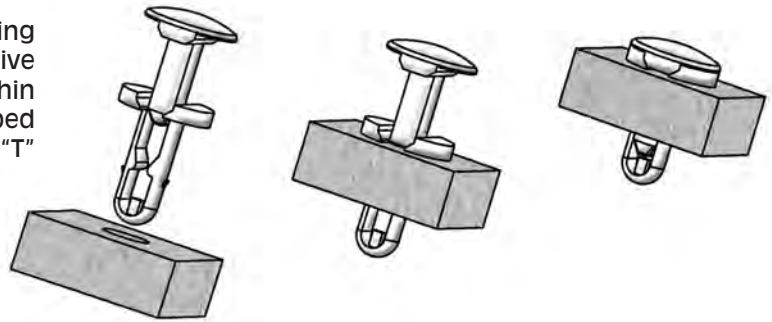
CLOSED SCREW SPACER GROMMET NUTS

PART NUMBER	HEIGHT	HEAD SIZE	HOLE SIZE RCT	PANEL THICKNESS	SCREW SIZE	LENGTH
60SPG00001	.125 (3,18)	3/8" (9,53)	.270-.290 (6,86/7,37)	.020-.140 (0,51/3,56)	8-10	.548 (13,9)
60SPG00002	.187 (4,75)	3/8" (9,53)	.270-.290 (6,86/7,37)	.020-.140 (0,51/3,56)	8-10	.548 (13,9)
60SPG00003	.250 (6,35)	3/8" (9,53)	.270-.290 (6,86/7,37)	.020-.140 (0,51/3,56)	8-10	.548 (13,9)
60SPG00004	.312 (7,92)	3/8" (9,53)	.270-.290 (6,86/7,37)	.020-.140 (0,51/3,56)	8-10	.548 (13,9)
60SPG00005	.375 (9,53)	3/8" (9,53)	.270-.290 (6,86/7,37)	.020-.140 (0,51/3,56)	8-10	.548 (13,9)
60SPG00006	.500 (12,7)	3/8" (9,53)	.270-.290 (6,86/7,37)	.020-.140 (0,51/3,56)	8-10	.548 (13,9)

PANEL CINCHING RIVETS

Molded in **Natural Nylon 6/6**

Micro Plastics' one-piece molded nylon panel cinching rivet consisting of two elements, the "T" shaped drive pin and "U" shaped body which are joined by thin webs. To install the fastener, insert the "U" shaped body into the panel hole and rap the head of the "T" shaped pin with a hammer or impact tool.



Watch Instructional Video

[mms://www.microplastics.com/productvideos/PanelCinchingRivet.asf](https://www.microplastics.com/productvideos/PanelCinchingRivet.asf)

PART NUMBER	HOLE SIZE	PANEL THICKNESS	OD	LENGTH	HEIGHT
27CINCH01	.125 (3,18)	0.020-0.109 (0,51-2,77)	1/4" (6,35)	.357 (9,07)	.080 (2,03)
27CINCH02	.187 (4,75)	0.020-0.174 (0,51-4,42)	3/8" (9,53)	.450 (11,08)	.120 (3,38)
27CINCH03	.250 (6,35)	0.020-0.109 (0,51-2,77)	3/8" (9,53)	.475 (12,07)	.115 (2,92)
27CINCH04	.250 (6,35)	0.020-0.174 (0,51-4,42)	5/8" (15,88)	.555 (14,10)	.117 (2,97)

PANEL FASTENERS AND HOLE PLUGS

SECTION
VI

"SPECIAL ITEM" GROMMET NUTS

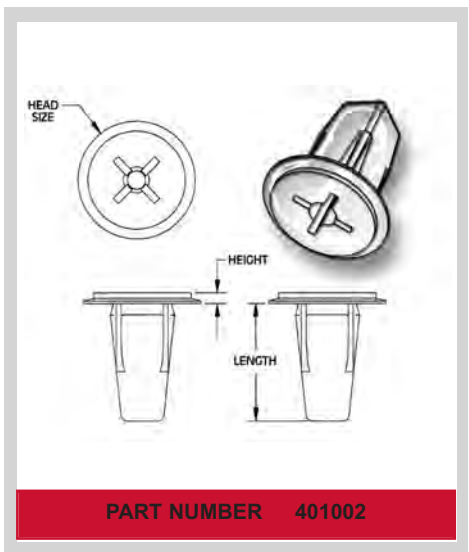
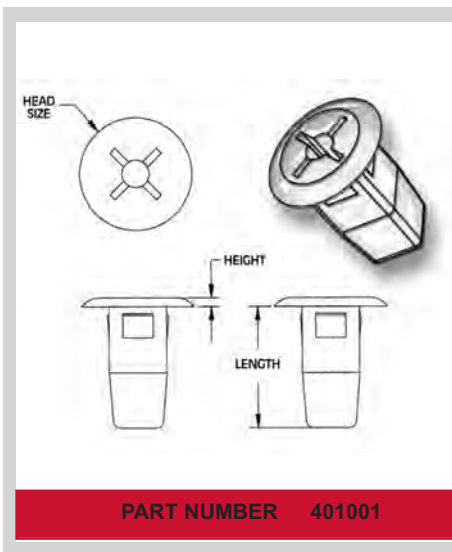
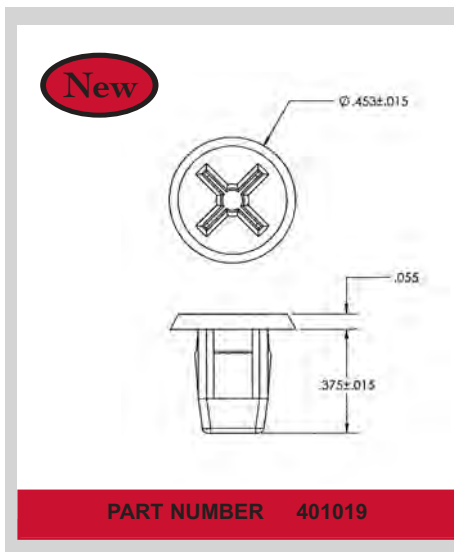
Molded in **Natural Nylon 6/6**

New
SIZES



PART NUMBER	HOLE SIZE RCT	PANEL THICKNESS	SCREW SIZE	HEAD SIZE	HEIGHT	LENGTH
401001	.355 (9,02)	.125-.275 (3,17-6,98)	10	.641 (16,3)	.048 (1,22)	.680 (17,3)
401002	.260-.265 (6,60-6,73)	.062-.437 (1,57-11,1)	8	.562 (14,3)	.050 (1,27)	.562 (14,3)
401012	.230-.235 (5,84-5,97)	.125-.275 (3,17-6,98)	8	.375 (9,53)	.125 (3,18)	.406 (10,3)
401018	.280 (7,11)	.056-.235 (1,42-5,99)	4	.531 (13,5)	.062 (1,57)	.640 (16,3)
401019	.260 (6,60)	.062-.250 (1,59-6,35)	8	.453 (11,50)	.055 (1,39)	.375 (9,52)
401021	.275-.290 (6,98-7,37)	.093-.145 (2,36-3,68)	8	1/2 (12,7)	.187 (4,75)	.280 (7,11)
401024	.275-.290 (6,98-7,37)	.031-.140 (0,79-3,56)	10	.450 (11,4)	7/8 (22,2)	.280 (7,11)
401025	.275-.290 (6,98-7,37)	.062-.125 (1,57-3,17)	6	.405/.430 (10,3/10,9)	.073 (1,85)	.213 (5,41)
401034	.285-.290 (7,24-7,37)	.031-.094 (0,79-2,39)	8	.455 (11,6)	2.000 (50,8)	.275 (6,98)
401037	.285-.290 (7,24-7,37)	.031-.094 (0,79-2,39)	8	.455 (11,6)	1.625 (41,2)	.275 (6,98)
401038	.285-.290 (7,24-7,37)	.031-.094 (0,79-2,39)	8	.455 (11,6)	2.250 (57,1)	.275 (6,98)
401039	.285-.290 (7,24-7,37)	.031-.094 (0,79-2,39)	8	.455 (11,6)	2.060 (52,3)	.275 (6,98)
401040	.285-.290 (7,24-7,37)	.031-.094 (0,79-2,39)	8	.495 (12,6)	1.125 (28,6)	.275 (6,98)
401046	.250-.281 (6,35-7,13)	.020-.076 (0,50-1,93)	8-10	.375 (9,53)	.185 (4,70)	.425 (10,8)
401047	.250-.281 (6,35-7,13)	.020-.076 (0,50-1,93)	8-10	.380 (9,65)	.500 (12,7)	.434 (11,0)

PART NUMBER	HOLE SIZE RND	PANEL THICKNESS	SCREW SIZE	HEAD SIZE	HEAD HEIGHT	LOCK LENGTH
401003	.310 (7,87)	.031-.135 (0,79-3,43)	6	.465 (11,8)	.120 (3,05)	.286 (7,26)

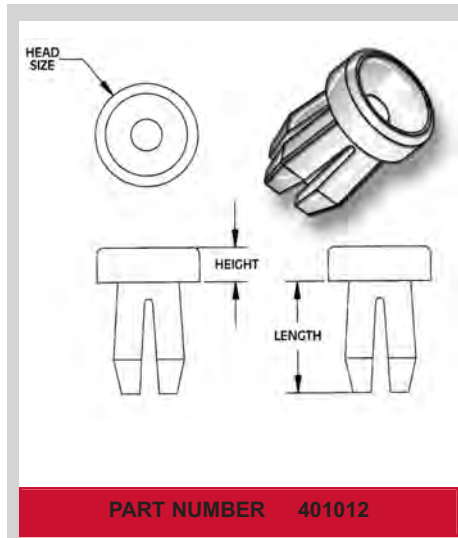


PANEL FASTENERS AND HOLE PLUGS

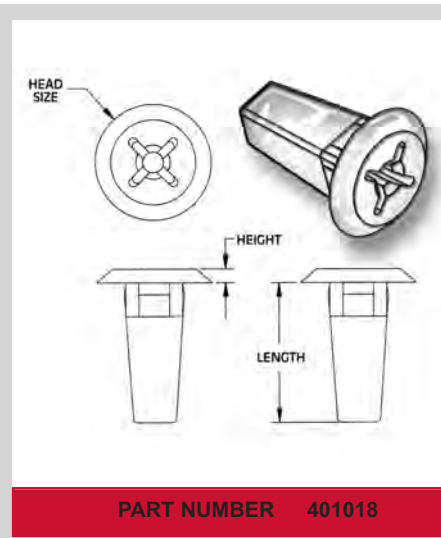
SECTION
VI

"SPECIAL ITEM" GROMMET NUTS

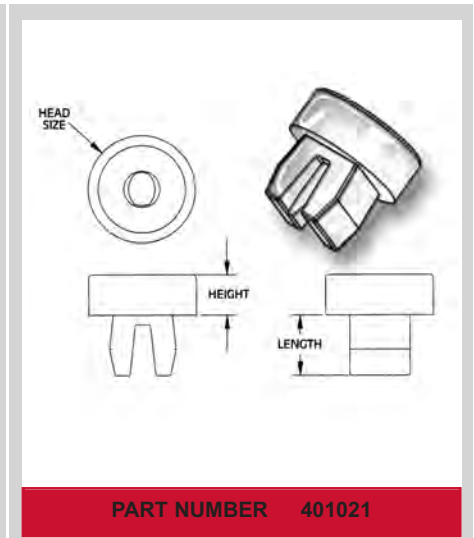
Molded in **Natural Nylon 6/6**



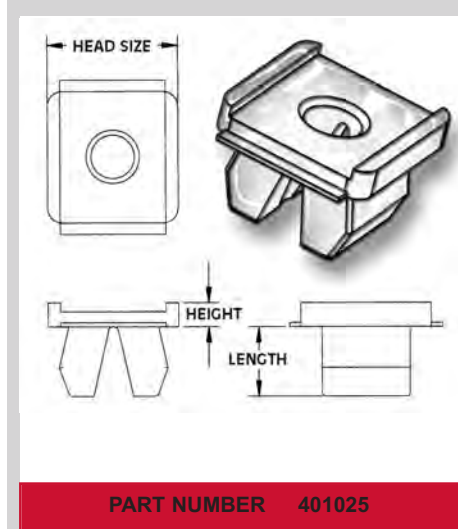
PART NUMBER 401012



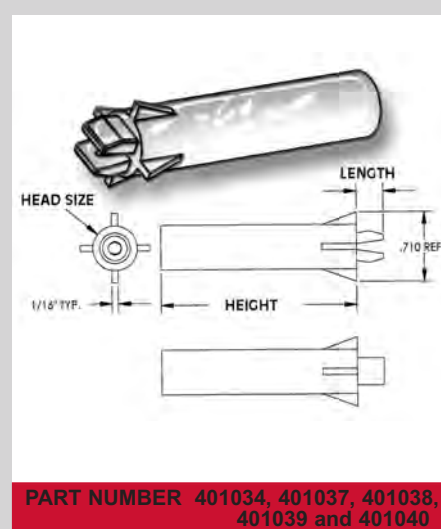
PART NUMBER 401018



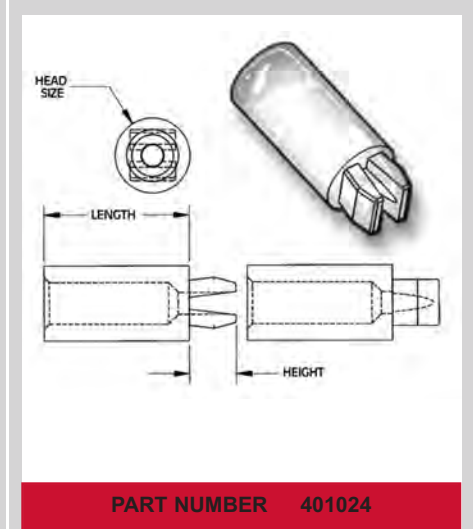
PART NUMBER 401021



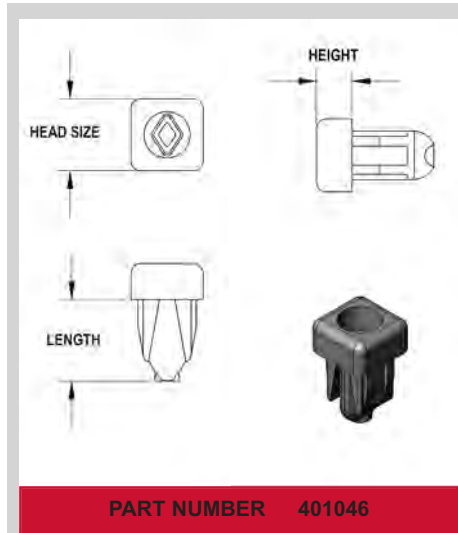
PART NUMBER 401025



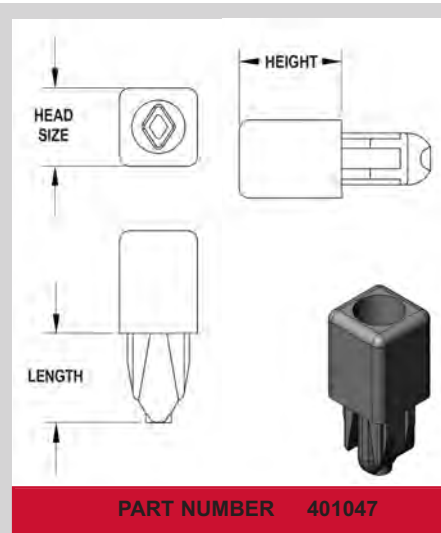
PART NUMBER 401034, 401037, 401038,
401039 and 401040



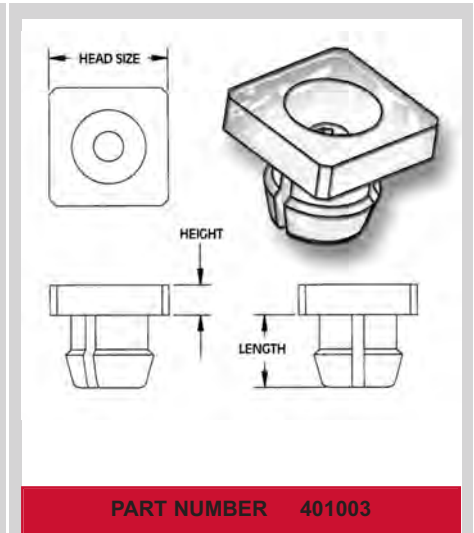
PART NUMBER 401024



PART NUMBER 401046



PART NUMBER 401047



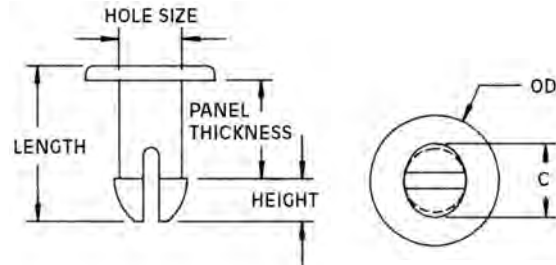
PART NUMBER 401003

PANEL FASTENERS AND HOLE PLUGS

SECTION VI



Micro Plastics' Push-in Fasteners provide an inexpensive, fast, convenient method to join plastic, light sheet metal, insulating materials, circuit boards, or any other thin, light-weight material. They can also be used as push-in glides or as bumpers. Special designed legs provide compression and expansion to lock fastener into pre-punched holes. These fasteners are vibration, abrasion and corrosion resistant, and feature large heads for easier assembly, and can be used over and over.



PUSH-IN-FASTENERS

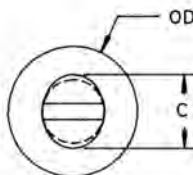
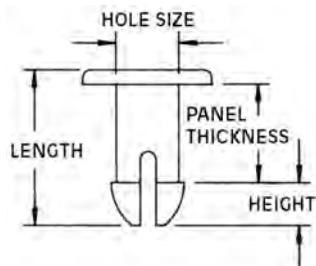
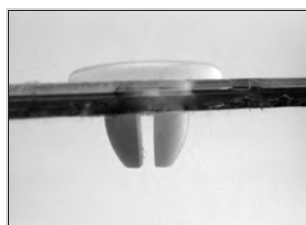
Molded in **Natural Nylon 6/6**

PART NUMBER	DESCRIPTION	OD	PANEL THICKNESS	HEIGHT	C	HOLE SIZE	LENGTH
27PIF0010	PIF 10	.500 (12,70)	.220 (5,59)	.110 (12,79)	.200 (5,08)	.148 (3,76)	.400 (10,16)
27PIF0011	PIF 11	13/64 (5,15)	.208 (5,28)	.083 (2,11)	.140 (3,56)	.115 (2,92)	.320 (8,13)
27PIF0012	PIF 12	.175 (4,45)	.268 (6,81)	.090 (2,29)	.140 (3,56)	.096 (2,44)	.400 (10,16)
27PIF0013	PIF 13	3/16 (4,75)	.533 (13,54)	.087 (2,21)	.130 (3,30)	.095 (2,41)	.675 (17,15)
27PIF0014	PIF 14	.248 (6,30)	.813 (20,65)	.140 (3,56)	.144 (3,66)	.110 (2,79)	1.017 (25,83)
27PIF0015	PIF 15	21/64 (8,33)	.030 (0,76)	.130 (3,30)	.162 (4,12)	.152 (3,86)	.200 (5,08)
27PIF0016	PIF 16	11/16 (17,46)	.260 (6,60)	.265 (6,73)	.355 (9,02)	.288 (7,32)	.586 (14,88)
27PIF0017	PIF 17	11/32 (8,73)	.130 (3,30)	.110 (2,80)	.200 (5,08)	.160 (4,06)	.270 (6,86)
27PIF0018	PIF 18	13/64 (5,15)	.230 (5,84)	.098 (2,49)	.156 (3,96)	.128 (3,25)	.365 (9,27)
27PIF0019	PIF 19	1/4 (6,35)	.445 (11,30)	.085 (2,16)	.145 (3,68)	.095 (2,41)	.590 (14,99)
27PIF0020	PIF 20	15/64 (5,95)	.080 (2,03)	.080 (2,03)	.180 (4,57)	.124 (3,15)	.200 (5,08)
27PIF0021	PIF 21	.186 (4,72)	.200 (5,08)	.065 (1,65)	.104 (2,64)	.080 (2,03)	.297 (7,54)
27PIF0022	PIF 22	1/2 (12,70)	.064 (1,63)	.185 (4,70)	.280 (7,11)	.243 (6,17)	.370 (9,40)
27PIF0023	PIF 23	3/16 (4,75)	.075 (1,91)	.060 (1,52)	.150 (3,81)	.120 (3,05)	.190 (4,83)
27PIF0024	PIF 24	19/32 (15,08)	.365 (9,27)	.187 (4,75)	.295 (7,49)	.245 (6,22)	.685 (17,40)
27PIF0025	PIF 25	15/64 (5,95)	1.010 (25,65)	.082 (2,08)	.164 (4,17)	.124 (3,15)	1.13 (28,70)
27PIF0026	PIF 26	15/64 (5,95)	.080 (2,03)	.070 (1,78)	.180 (4,57)	.124 (3,15)	.205 (5,21)
27PIF0027	PIF 27	3/8 (9,52)	1.062 (26,97)	.177 (4,50)	.202 (5,13)	.165 (4,19)	1.303 (28,32)
27PIF0028	PIF 28	11/32 (8,73)	.875 (22,23)	.174 (4,42)	.224 (5,69)	.175 (4,45)	1.115 (28,32)
27PIF0029	PIF 29	13/64 (5,15)	.210 (5,33)	.091 (2,31)	.179 (4,55)	.130 (3,30)	.342 (8,69)
27PIF0030	PIF 30	.135 (3,43)	.125 (3,18)	.070 (1,78)	.110 (2,79)	.089 (2,26)	.235 (5,97)
27PIF0031	PIF 31	25/64 (9,93)	.503 (12,78)	.210 (5,33)	.295 (7,49)	.230 (5,84)	1.083 (27,51)
27PIF0032	PIF 32	13/64 (5,15)	.235 (5,97)	.066 (1,68)	.145 (3,68)	.115 (2,92)	.341 (8,66)
27PIF0033	PIF 33	3/8 (9,52)	.505 (12,83)	.130 (3,30)	.200 (5,08)	.160 (4,06)	.705 (17,91)
27PIF0034	PIF 34	3/4 (19,05)	.636 (16,15)	.180 (4,57)	.220 (5,59)	.180 (4,57)	.875 (22,23)
27PIF0035	PIF 35	5/16 (7,94)	.125 (3,18)	.070 (1,78)	.110 (2,80)	.089 (2,26)	.235 (5,96)
27PIF0036	PIF 36	3/16 (4,75)	.066 (1,68)	.075 (1,91)	.100 (2,54)	.090 (2,29)	.179 (4,55)
27PIF0037	PIF 37	3/8 (9,52)	.636 (16,15)	.180 (4,57)	.220 (5,59)	.180 (4,57)	.875 (22,22)
27PIF0038*	PIF 38*	9/32 (7,14)	.063 (1,60)	.078 (1,98)	.100 (2,54)	.093 (2,36)	.165 (4,19)
27PIF0039	PIF 39	1/4 (6,35)	.115 (2,92)	.085 (2,16)	.145 (3,68)	.093 (2,36)	.240 (6,10)
27PIF0040*	PIF 40*	9/32 (7,14)	.093 (2,36)	.068 (1,72)	.105 (2,67)	.093 (2,36)	.194 (4,92)
27PIF0041*	PIF 41*	5/16 (7,94)	.121 (3,07)	.085 (2,16)	.145 (3,68)	.089 (2,26)	.246 (6,25)
27PIF0042	PIF 42	13/64 (5,15)	.190 (4,83)	.090 (2,29)	.180 (4,57)	.130 (3,30)	.320 (8,13)
27PIF0043	PIF 43	13/64 (5,15)	.156 (3,96)	.135 (3,43)	.140 (3,56)	.115 (2,92)	.320 (8,13)
27PIF0044	PIF 44	13/64 (5,15)	.135 (3,43)	.135 (3,43)	.140 (3,56)	.115 (2,92)	.295 (7,49)
27PIF0045	PIF 45	13/64 (5,15)	.235 (5,97)	.070 (1,79)	.137 (3,48)	.115 (2,92)	.345 (8,76)
27PIF0046	PIF 46	13/64 (5,15)	.250 (6,35)	.106 (2,69)	.145 (3,68)	.115 (2,92)	.395 (10,03)
27PIF0047	PIF 47	13/64 (5,15)	.121 (3,07)	.105 (2,67)	.145 (3,68)	.115 (2,92)	.260 (6,60)
27PIF0048	PIF 48	25/64 (9,93)	.315 (8,00)	.113 (2,87)	.208 (5,28)	.160 (4,06)	.488 (12,40)

PARTS WITH * HAVE NO SLOT -----"L" DIM.

PANEL FASTENERS AND HOLE PLUGS

SECTION
VI



PUSH-IN-FASTENERS

Molded in Natural Nylon 6/6

PART NUMBER	DESCRIPTION	OD	PANEL THICKNESS	HEIGHT	C	HOLE SIZE	LENGTH
27PIF0049	PIF 49	11/32 (8,73)	.450 (11,43)	.160 (4,06)	.200 (5,08)	.160 (4,06)	.680 (17,27)
27PIF0050	PIF 50	11/32 (8,73)	.125 (3,18)	.137 (3,48)	.202 (5,13)	.165 (4,19)	.305 (7,75)
27PIF0051	PIF 51	11/32 (8,73)	.065 (1,65)	.137 (3,48)	.202 (5,13)	.165 (4,19)	.325 (8,26)
27PIF0052	PIF 52	11/32 (8,73)	.556 (14,12)	.153 (3,89)	.225 (5,72)	.180 (4,57)	.780 (19,81)
27PIF0053	PIF 53	11/32 (8,73)	.242 (6,15)	.174 (4,42)	.224 (5,69)	.175 (4,45)	.490 (12,45)
27PIF0054	PIF 54	11/32 (8,73)	.197 (5,00)	.185 (4,70)	.295 (7,49)	.255 (6,48)	.415 (10,54)
27PIF0055	PIF 55	11/32 (8,73)	.555 (14,08)	.145 (3,68)	.225 (5,71)	.180 (4,57)	.770 (19,56)
27PIF0056	PIF 56	9/64 (3,56)	.315 (8,00)	.075 (1,91)	.135 (3,43)	.095 (2,41)	.450 (11,43)
27PIF0057	PIF 57	7/16 (11,10)	.120 (3,05)	.236 (5,99)	.380 (9,65)	.305 (7,74)	.426 (10,82)
27PIF0058	PIF 58	15/32 (11,90)	.121 (3,07)	.153 (3,86)	.238 (6,05)	.200 (5,08)	.324 (8,24)
27PIF0059	PIF 59	3/16 (4,75)	.145 (3,69)	.065 (1,65)	.105 (2,66)	.090 (2,29)	.255 (6,48)
27PIF0060	PIF 60	15/32 (11,90)	.156 (3,89)	.125 (3,18)	.228 (5,79)	.200 (5,05)	.333 (8,46)
27PIF0061	PIF 61	11/32 (8,73)	.368 (9,35)	.105 (2,67)	.236 (5,99)	.203 (5,16)	.540 (13,72)
27PIF0062	PIF 62	25/64 (9,93)	1.730 (43,94)	.222 (5,64)	.295 (7,49)	.230 (5,84)	2.010 (51,05)
27PIF0063	PIF 63	29/64 (11,51)	.276 (7,01)	.142 (3,61)	.295 (7,49)	.240 (6,10)	.460 (11,68)
27PIF0064	PIF 64	29/64 (11,51)	.300 (7,62)	.170 (4,32)	.298 (7,57)	.243 (6,17)	.535 (13,59)
27PIF0065	PIF 65	19/32 (15,08)	.480 (12,19)	.175 (4,45)	.293 (7,44)	.245 (6,22)	.715 (18,16)
27PIF0066	PIF 66	29/64 (11,51)	.330 (8,38)	.187 (4,75)	.295 (7,49)	.240 (6,10)	.555 (14,10)
27PIF0067	PIF 67	1/2 (12,70)	.171 (4,34)	.187 (4,75)	.295 (7,49)	.260 (6,60)	.405 (10,29)
27PIF0068	PIF 68	11/16 (17,45)	.140 (3,56)	.243 (6,17)	.360 (9,14)	.290 (7,37)	.468 (11,89)
27PIF0069*	PIF 69*	.312 (7,92)	.095 (2,41)	.075 (1,91)	.145 (3,68)	.095 (2,41)	.218 (5,54)
27PIF0070	PIF 70	19/32 (15,08)	.171 (4,34)	.187 (4,75)	.295 (7,49)	.260 (6,60)	.418 (10,62)
27PIF0071	PIF 71	19/32 (15,08)	.250 (6,35)	.187 (4,75)	.290 (7,37)	.245 (6,22)	.497 (12,62)
27PIF0072	PIF 72	19/32 (15,08)	.365 (9,27)	.187 (4,75)	.290 (7,37)	.245 (6,22)	.622 (15,80)
27PIF0073	PIF 73	11/32 (8,73)	.171 (4,34)	.187 (4,75)	.295 (7,49)	.260 (6,60)	.380 (9,65)
27PIF0074	PIF 74	19/32 (15,08)	.405 (10,29)	.160 (4,06)	.315 (8,00)	.275 (6,99)	.620 (15,75)
27PIF0075	PIF 75	1/4 (6,35)	.550 (13,97)	.135 (3,43)	.145 (3,68)	.112 (2,84)	.745 (18,92)
27PIF0076	PIF 76	15/32 (11,90)	.129 (3,28)	.148 (3,76)	.238 (6,05)	.197 (5,00)	.399 (10,13)
27PIF0077	PIF 77	15/64 (5,95)	.320 (8,13)	.084 (2,13)	.145 (3,68)	.118 (3,00)	.437 (11,10)
27PIF0078	PIF 78	13/32 (10,32)	.250 (6,35)	.100 (2,54)	.278 (7,06)	.217 (5,51)	.395 (10,03)
27PIF0079	PIF 79	9/16 (14,29)	.950 (24,13)	.174 (4,42)	.228 (5,79)	.172 (4,37)	1.20 (30,48)
27PIF0080	PIF 80	3/8 (9,53)	1.125 (28,58)	.17 (4,32)	.202 (5,13)	.165 (4,19)	1.365 (34,67)
27PIF0081	PIF 81	.343 (8,71)	.125 (3,18)	.137 (3,48)	.202 (5,13)	.165 (4,19)	.31 (7,87)
27PIF0082	PIF 82	11/16 (17,45)	.250 (6,35)	.258 (6,55)	.360 (9,14)	.290 (7,37)	.585 (14,86)
27PIF0083	PIF 83	1/2 (12,70)	.064 (1,63)	.138 (3,51)	.280 (7,11)	.243 (6,17)	.262 (6,65)
27PIF0084	PIF 84	1/2 (12,70)	.099 (2,51)	.168 (4,27)	.280 (7,11)	.245 (6,22)	.324 (8,23)
27PIF0085	PIF 85	1/2 (12,70)	.127 (3,23)	.185 (4,70)	.281 (7,14)	.241 (6,12)	.361 (9,17)
27PIF0086	PIF 86	1/2 (12,70)	.156 (3,96)	.170 (4,32)	.281 (7,14)	.242 (6,15)	.380 (9,65)
27PIF0087	PIF 87	1/2 (12,70)	.189 (4,80)	.156 (3,96)	.278 (7,06)	.241 (6,12)	.395 (10,03)
27PIF0088	PIF 88	1/2 (12,70)	.219 (5,56)	.175 (4,44)	.277 (7,04)	.239 (6,07)	.445 (11,30)
27PIF0089	PIF 89	1/2 (12,70)	.250 (6,35)	.175 (4,44)	.283 (7,19)	.241 (6,12)	.487 (12,37)

PARTS WITH * HAVE NO SLOT -----"L" DIM.

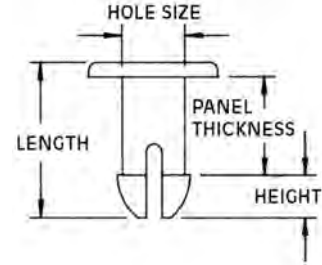
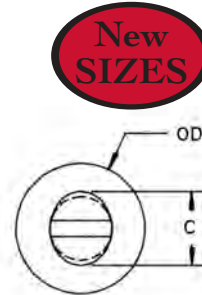
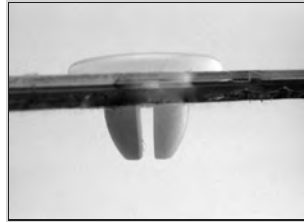
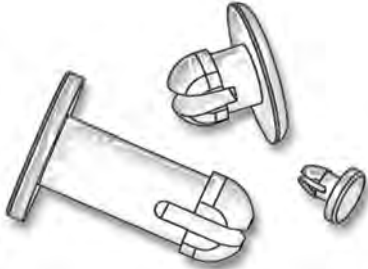
PANEL FASTENERS AND HOLE PLUGS

SECTION VI

PUSH-IN-FASTENERS

Molded in **Natural Nylon 6/6**

Micro Plastics' Push-in Fasteners provide an inexpensive, fast, convenient method to join plastic, light sheet metal, insulating materials, circuit boards, or any other thin, light-weight material. They can also be used as push-in glides or as bumpers. Special designed legs provide compression and expansion to lock fastener into pre-punched holes. These fasteners are vibration, abrasion and corrosion resistant, and feature large heads for easier assembly, and can be used over and over.



PART NUMBER	DESCRIPTION	OD	PANEL THICKNESS	HEIGHT	C	HOLE SIZE	LENGTH
27PIF0090	PIF 90	1/2 (12,70)	.281 (7,14)	.176 (4,47)	.280 (7,11)	.240 (6,10)	.513 (13,03)
27PIF0091	PIF 91	1/2 (12,70)	.314 (7,98)	.152 (3,86)	.281 (7,14)	.241 (6,12)	.520 (13,21)
27PIF0092	PIF 92	1/2 (12,70)	.345 (8,76)	.177 (4,50)	.281 (7,14)	.240 (6,10)	.578 (14,68)
27PIF0093	PIF 93	1/2 (12,70)	.375 (9,53)	.166 (4,22)	.281 (7,14)	.242 (6,15)	.609 (15,47)
27PIF0094	PIF 94	1/2 (12,70)	.405 (10,29)	.175 (4,44)	.282 (7,16)	.243 (6,17)	.638 (16,21)
27PIF0095	PIF 95	19/32 (15,08)	.130 (3,30)	.125 (3,18)	.205 (5,21)	.145 (3,68)	.305 (7,75)
27PIF0096	PIF 96	1/2 (12,70)	.466 (11,84)	.183 (4,64)	.280 (7,11)	.240 (6,10)	.701 (17,81)
27PIF0097	PIF 97	1/2 (12,70)	.498 (12,65)	.162 (4,11)	.283 (7,19)	.240 (6,10)	.713 (18,11)
27PIF0098	PIF 98	1/2 (12,70)	.438 (11,13)	.176 (4,47)	.281 (7,14)	.240 (6,10)	.672 (17,07)
27PIF0099	PIF 99	1/2 (12,70)	1.020 (25,91)	.380 (9,65)	.475 (12,07)	.360 (9,14)	1.460 (37,08)
27PIF0100	PIF 100	3/8 (9,53)	1.543 (39,19)	.205 (5,21)	.295 (7,49)	.250 (6,35)	1.875 (47,63)
27PIF0101	PIF 101	.680 (17,28)	.154 (3,91)	.255 (6,48)	.347 (8,81)	.285 (7,24)	.473 (12,01)
27PIF0102	PIF 102	.300 (7,62)	.050 (1,27)	.137 (3,48)	.202 (5,13)	.165 (4,19)	.337 (8,56)
27PIF0104	PIF 104	15/64 (0,23)	.750 (19,05)	.082 (2,08)	.164 (4,17)	.120 (3,05)	.875 (22,23)
27PIF0105	PIF 105	5/8 (15,88)	1.065 (27,05)	.360 (9,14)	.360 (9,14)	.270 (6,86)	1.50 (38,10)
27PIF0106	PIF 106	.380 (9,65)	.340 (8,64)	.180 (4,57)	.220 (5,59)	.180 (4,57)	.580 (14,73)
27PIF0107	PIF 107	.310 (7,87)	.195 (4,95)	.200 (5,08)	.200 (5,08)	.160 (4,06)	.450 (11,43)
27PIF0108	PIF 108	.155 (3,94)	.460 (11,68)	.085 (2,16)	.135 (3,43)	.093 (2,36)	.595 (15,11)
27PIF0109	PIF 109	15/64 (5,94)	.080 (2,03)	.060 (1,52)	.200 (5,08)	.160 (4,06)	.180 (4,57)
27PIF0110	PIF 110	3/16 (4,76)	.140 (3,55)	.090 (2,29)	.135 (3,43)	.090 (2,29)	.300 (7,62)
27PIF0111	PIF 111	.320 (8,13)	.130 (3,30)	.110 (2,79)	.220 (5,59)	.195 (4,95)	.290 (7,37)
27PIF0112	PIF 112	.320 (8,13)	.180 (4,57)	.110 (2,79)	.220 (5,59)	.195 (4,95)	.340 (8,64)
27PIF0113	PIF 113	.344 (8,74)	.560 (14,22)	.145 (3,68)	.224 (5,69)	.175 (4,44)	.765 (19,43)
27PIF0114*	PIF 114*	25/64 (9,93)	.440 (11,18)	.113 (2,87)	.200 (5,08)	.157 (3,99)	.613 (15,57)
27PIF0115*	PIF 115*	.200 (5,08)	.307 (7,80)	.080 (2,03)	.130 (3,30)	.090 (2,29)	.437 (11,10)
27PIF0116	PIF 116	.750 (19,05)	.320 (8,13)	.180 (4,57)	.220 (5,59)	.180 (4,57)	.559 (14,20)
27PIF0117	PIF 117	.200 (5,08)	.638 (16,21)	.080 (2,03)	.130 (3,30)	.090 (2,29)	.768 (19,51)
27PIF0118	PIF 118	1/2 (12,70)	.250 (6,35)	.187 (4,75)	.290 (7,37)	.245 (6,22)	.497 (12,62)
27PIF0119	PIF 119	3/8 (9,52)	1.062 (26,97)	.177 (4,50)	.202 (5,13)	.165 (4,19)	1.269 (32,23)
27PIF0120	PIF 120	15/64 (5,95)	.080 (2,03)	.060 (1,52)	.180 (4,57)	.124 (3,15)	.180 (4,57)
27PIF0121	PIF 121	5/16 (7,94)	.602 (15,29)	.080 (2,03)	.165 (4,19)	.120 (3,04)	.732 (18,59)
27PIF0122	PIF 122	13/64 (5,15)	.195 (4,95)	.083 (2,10)	.170 (4,31)	.120 (3,04)	.320 (8,12)
27PIF0123	PIF 123	13/64 (5,15)	.170 (4,31)	.083 (2,10)	.170 (4,31)	.120 (3,04)	.295 (7,49)
27PIF0124	PIF 124	.375 (9,53)	1.010 (25,65)	.125 (3,18)	.235 (5,96)	.192 (4,87)	1.187 (30,15)
27PIF0125	PIF 125	.375 (9,53)	1.510 (38,35)	.125 (3,18)	.235 (5,96)	.192 (4,87)	1.687 (42,85)
27PIF0126	PIF 126	.492 (12,49)	.768 (19,50)	.172 (4,36)	.415 (10,54)	.350 (8,89)	1.140 (28,95)
27PIF0127	PIF 127	.437 (11,09)	.465 (11,81)	.176 (4,47)	.224 (5,68)	.175 (4,44)	.711 (18,05)
27PIF0128	PIF 128	.250 (6,35)	.670 (17,01)	.135 (3,42)	.145 (3,68)	.112 (2,84)	.865 (21,97)

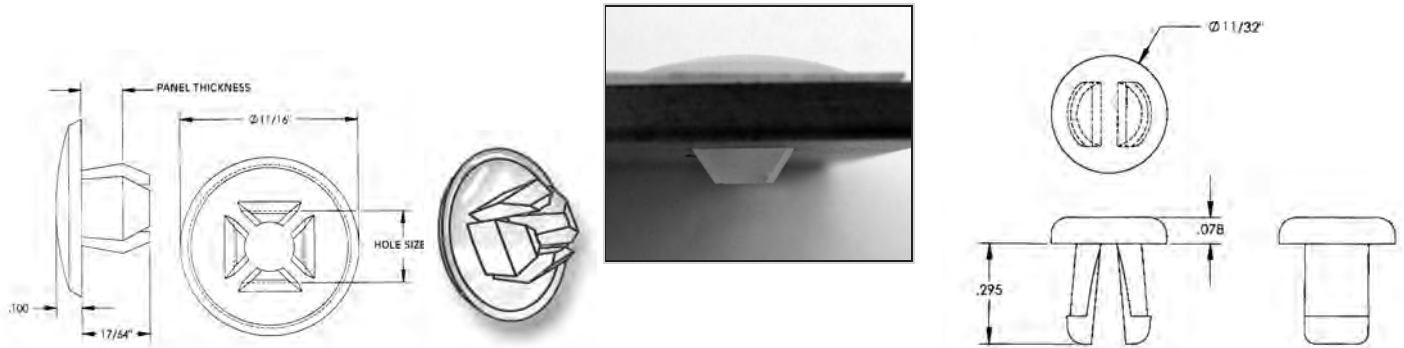
PARTS WITH * HAVE NO SLOT -----"L" DIM.

PANEL FASTENERS AND HOLE PLUGS

SECTION
VI

"SPECIAL ITEM" PUSH-IN-FASTENERS

Molded in **Natural Nylon 6/6**

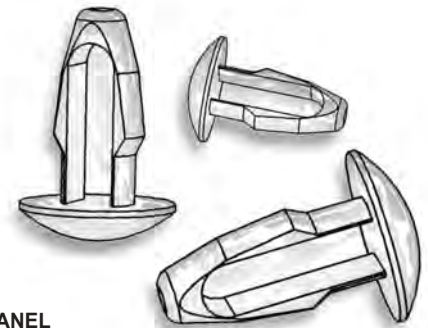


PART NUMBER	HOLE SIZE RCT	PANEL THICKNESS	PART NUMBER	HOLE SIZE RND	PANEL THICKNESS
401005	.285 (7,24) SQUARE HOLE	.156" (3,96)	401041	.192-.197 (4,88-5,00)	.093".203" (2,36/5,16)

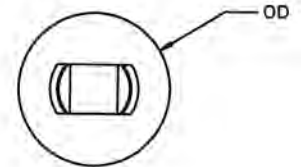
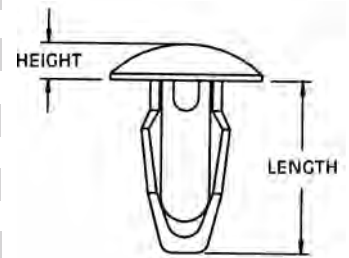
SNAP CLIPS

Molded in **Natural Acetal**

A combination of Celcon Acetal material, and a resilient body design, give these parts a positive "snap" and more definite grip when assembled into place. Designed for other hole sizes from 1/8" to 1/4" and panel thicknesses from 1/32" to 3/16".



PART NUMBER	HEIGHT	LENGTH	OD	HOLE SIZE RND	PANEL THICKNESS
27SNC1250032	.060 (1,52)	1/4 (6,35)	1/4 (6,35)	.125 (3,18)	.032 (0,81)
27SNC1250062	.060 (1,52)	9/32 (7,14)	1/4 (6,35)	.125 (3,18)	.062 (1,57)
27SNC1250093	.060 (1,52)	5/16 (7,94)	1/4 (6,35)	.125 (3,18)	.093 (2,36)
27SNC1250125	.060 (1,52)	11/32 (8,73)	1/4 (6,35)	.125 (3,18)	.125 (3,18)
27SNC1560032	.060 (1,52)	9/32 (7,14)	5/16 (7,94)	.156 (3,96)	.032 (0,81)
27SNC1560062	.060 (1,52)	5/16 (7,94)	5/16 (7,94)	.156 (3,96)	.062 (1,57)
27SNC1560093	.060 (1,52)	11/32 (8,73)	5/16 (7,94)	.156 (3,96)	.093 (2,36)
27SNC1560125	.060 (1,52)	25/64 (9,92)	5/16 (7,94)	.156 (3,96)	.125 (3,18)
27SNC1560156	.060 (1,52)	13/32 (10,32)	5/16 (7,94)	.156 (3,96)	.156 (3,96)
27SNC1870032	.060 (1,52)	5/16 (7,94)	5/16 (7,94)	.187 (4,75)	.032 (0,81)
27SNC1870062	.060 (1,52)	11/32 (8,73)	5/16 (7,94)	.187 (4,75)	.062 (1,57)
27SNC1870093	.060 (1,52)	3/8 (9,53)	5/16 (7,94)	.187 (4,75)	.093 (2,36)
27SNC1870125	.060 (1,52)	13/32 (10,32)	5/16 (7,94)	.187 (4,75)	.125 (3,18)
27SNC1870156	.060 (1,52)	7/16 (11,11)	5/16 (7,94)	.187 (4,75)	.156 (3,96)
27SNC1870187	.060 (1,52)	15/32 (11,91)	5/16 (7,94)	.187 (4,75)	.187 (4,75)
27SNC2190032	.060 (1,52)	25/64 (9,92)	11/32 (8,73)	.219 (5,56)	.032 (0,81)
27SNC2190062	.060 (1,52)	27/64 (10,72)	11/32 (8,73)	.219 (5,56)	.062 (1,57)
27SNC2190093	.060 (1,52)	29/64 (11,51)	11/32 (8,73)	.219 (5,56)	.093 (2,36)
27SNC2190125	.060 (1,52)	31/64 (12,30)	11/32 (8,73)	.219 (5,56)	.125 (3,18)
27SNC2190156	.060 (1,52)	33/64 (13,11)	11/32 (8,73)	.219 (5,56)	.156 (3,96)
27SNC2190187	.060 (1,52)	35/64 (13,89)	11/32 (8,73)	.219 (5,56)	.187 (4,75)
27SNC2500032	.060 (1,52)	13/32 (10,32)	1/2 (12,70)	.250 (6,35)	.032 (0,81)
27SNC2500062	.060 (1,52)	27/64 (10,72)	1/2 (12,70)	.250 (6,35)	.062 (1,57)
27SNC2500093	.060 (1,52)	29/64 (11,51)	1/2 (12,70)	.250 (6,35)	.093 (2,36)
27SNC2500125	.060 (1,52)	31/64 (12,30)	1/2 (12,70)	.250 (6,35)	.125 (3,18)
27SNC2500156	.060 (1,52)	33/64 (13,11)	1/2 (12,70)	.250 (6,35)	.156 (3,96)
27SNC2500187	.060 (1,52)	35/64 (13,89)	1/2 (12,70)	.250 (6,35)	.187 (4,75)



PANEL FASTENERS AND HOLE PLUGS

SECTION

VI

SNAP RIVETS

Molded in **Black Nylon 6/6**

Micro Plastics' Nylon Snap Rivet is designed for assemblies requiring fast and economical fasteners that can be installed without tools. The two piece molded fastener comes assembled ready for use. The Rivet is placed in the hole and the smooth, oversized head is pressed. The specially designed legs expand and firmly lock the components permanently in place. Snap Rivets are molded in high dielectric (UL 94V2) Nylon 6/6 making them ideal for electronic applications.

- The following standard sizes are available from stock, other sizes will be tooled on request.
- Parts are stocked in black, other colors available upon request.



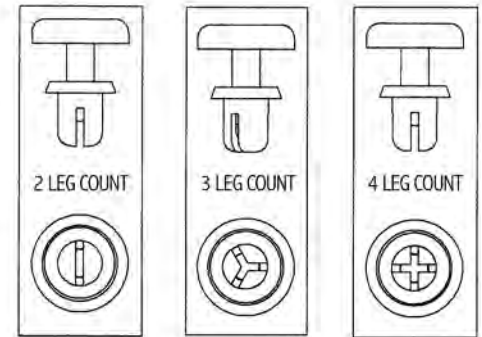
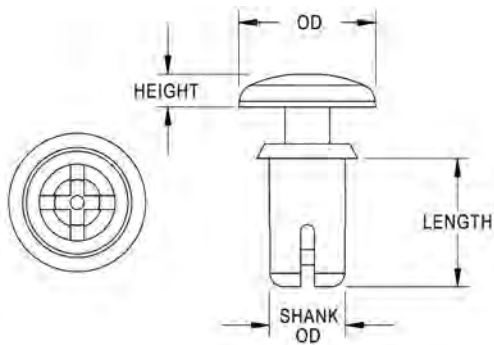
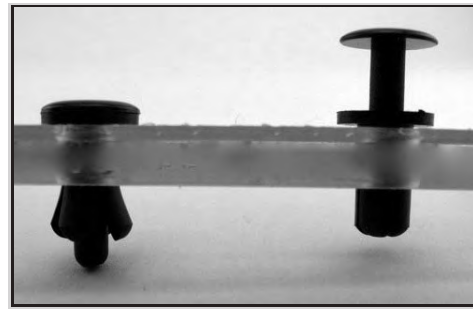
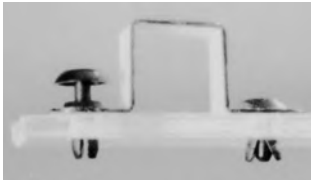
ITEM NUMBER	PANEL THICKNESS	HOLE SIZE RND	SHANK OD	LENGTH	HEIGHT	OD	LEG COUNT
27SR079090	.024/.047 (0,6/1,2)	.083/.087 (2,1/2,2)	.076 (1,9)	.090 (2,3)	.047 (1,2)	.165 (4,2)	2
27SR079130	.051/.079 (1,3/2,0)	.083/.087 (2,1/2,2)	.076 (1,9)	.130 (3,3)	.047 (1,2)	.165 (4,2)	2
27SR079160	.083/.110 (2,1/2,8)	.083/.087 (2,1/2,2)	.076 (1,9)	.160 (4,0)	.047 (1,2)	.165 (4,2)	2
27SR079190	.114/.142 (2,9/3,6)	.083/.087 (2,1/2,2)	.076 (1,9)	.190 (4,8)	.047 (1,2)	.165 (4,2)	2
27SR079220	.148/.170 (3,8/4,3)	.083/.087 (2,1/2,2)	.076 (1,9)	.220 (5,6)	.047 (1,2)	.165 (4,2)	2
27SR079250	.173/.197 (4,4/5,0)	.083/.087 (2,1/2,2)	.076 (1,9)	.250 (6,3)	.047 (1,2)	.165 (4,2)	2
27SR079295	.205/.225 (5,2/5,7)	.083/.087 (2,1/2,2)	.076 (1,9)	.295 (7,4)	.047 (1,2)	.165 (4,2)	2
27SR102125	.035/.080 (0,9/2,0)	.105/.109 (2,6/2,7)	.100 (2,5)	.125 (3,1)	.062 (1,5)	.203 (5,1)	4
27SR102130	.039/.079 (0,9/2,0)	.102/.106 (2,6/2,7)	.100 (2,5)	.130 (3,3)	.055 (1,4)	.197 (5,0)	2
27SR102190	.106/.142 (2,6/3,6)	.102/.106 (2,6/2,7)	.100 (2,5)	.190 (4,8)	.055 (1,4)	.197 (5,0)	2
27SR106220	.134/.169 (3,4/4,3)	.102/.106 (2,6/2,7)	.100 (2,5)	.220 (5,6)	.055 (1,4)	.197 (5,0)	2
27SR102250	.142/.198 (3,6/5,0)	.102/.106 (2,6/2,7)	.100 (2,5)	.250 (6,3)	.055 (1,4)	.197 (5,0)	2
27SR102280	.170/.229 (4,3/5,8)	.102/.106 (2,6/2,7)	.100 (2,5)	.281 (7,1)	.055 (1,4)	.197 (5,0)	2
27SR102170	.078/.118 (2,0/3,0)	.107/.111 (2,7/2,8)	.102 (2,6)	.170 (4,3)	.067 (1,7)	.203 (5,1)	4
27SR102220	.125/.156 (3,1/3,9)	.107/.111 (2,7/2,8)	.102 (2,6)	.200 (5,0)	.064 (1,9)	.201 (5,1)	4
27SR0010	.050/.100 (1,3/2,5)	.123/.127 (3,1/3,2)	.118 (3,0)	.140 (3,5)	.065 (1,6)	.254 (6,4)	4
27SR122180	.079/.118 (2,0/3,0)	.122/.126 (3,0/3,2)	.118 (3,0)	.180 (4,5)	.063 (1,6)	.252 (6,4)	2
27SR118180	.075/.120 (1,9/3,0)	.123/.127 (3,1/3,2)	.118 (3,0)	.183 (4,6)	.062 (1,5)	.245 (6,2)	2
27SR118260	.157/.197 (4,0/5,0)	.122/.126 (3,0/3,2)	.118 (3,0)	.260 (6,6)	.063 (1,6)	.252 (6,4)	2
27SR118300	.197/.236 (5,0/6,0)	.122/.126 (3,0/3,2)	.118 (3,0)	.300 (7,6)	.063 (1,6)	.252 (6,4)	2
27SR118310	.217/.256 (5,5/6,5)	.122/.126 (3,0/3,2)	.118 (3,0)	.310 (7,9)	.063 (1,6)	.252 (6,4)	2
27SR118350	.256/.295 (6,5/7,5)	.122/.126 (3,0/3,2)	.118 (3,0)	.350 (8,9)	.063 (1,6)	.252 (6,4)	2
27SR118390	.295/.335 (7,5/8,5)	.122/.126 (3,0/3,2)	.118 (3,0)	.390 (9,9)	.063 (1,6)	.252 (6,4)	2
27SR1180515	.400/.440 (10,2/11,2)	.123/.127 (3,1/3,2)	.118 (3,0)	.520 (13,2)	.068 (1,7)	.253 (6,4)	3
27SR0012	.122/.160 (3,0/4,0)	.127/.131 (3,2/3,3)	.122 (3,0)	.220 (5,6)	.065 (1,6)	.249 (6,3)	4
27SR138140	.047/.083 (1,9/2,1)	.142/.146 (3,6/3,7)	.135 (3,4)	.140 (3,5)	.063 (1,6)	.252 (6,4)	4
27SR138180	.083/.118 (2,1/3,0)	.142/.146 (3,6/3,7)	.135 (3,4)	.170 (4,3)	.063 (1,6)	.252 (6,4)	4
27SR135180	.060/.120 (1,5/3,0)	.140/.144 (3,5/3,6)	.135 (3,4)	.180 (4,6)	.061 (1,5)	.253 (6,4)	4
27SR138200	.106/.142 (2,7/3,6)	.142/.146 (3,6/3,7)	.135 (3,4)	.200 (5,0)	.063 (1,6)	.252 (6,4)	4
27SR135220	.118/.157 (3,0/4,0)	.140/.144 (3,5/3,6)	.135 (3,4)	.220 (5,6)	.060 (1,5)	.252 (6,4)	4
27SR138240	.146/.181 (3,7/4,6)	.142/.146 (3,6/3,7)	.135 (3,4)	.240 (6,1)	.063 (1,6)	.252 (6,4)	4

PANEL FASTENERS AND HOLE PLUGS

SECTION
VI

SNAP RIVETS

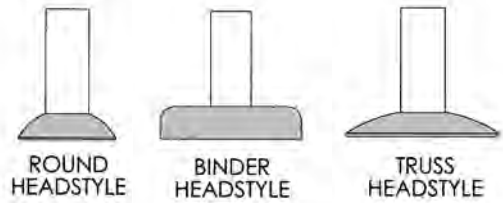
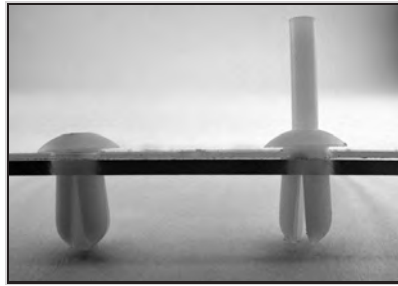
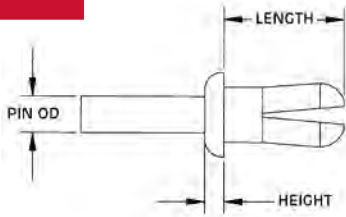
Molded in **Black Nylon 6/6**



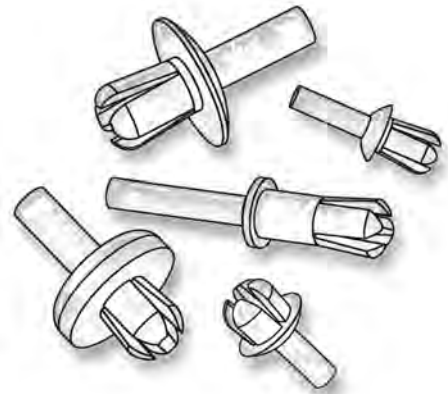
ITEM NUMBER	PANEL THICKNESS	HOLE SIZE RND	SHANK OD	LENGTH	HEIGHT	OD	LEG COUNT
27SR138280	.177/.217 (4,5/5,5)	.142/.146 (3,6/3,7)	.135 (3,4)	.280 (7,1)	.063 (1,6)	.252 (6,4)	4
27SR138310	.217/.256 (5,5/6,5)	.142/.146 (3,6/3,7)	.135 (3,4)	.310 (7,9)	.063 (1,6)	.252 (6,4)	4
27SR0018	.100/.140 (2,5/3,5)	.160/.164 (4,0/4,1)	.155 (3,9)	.200 (5,0)	.082 (2,0)	.316 (8,0)	2
27SR0020	.144/.188 (3,5/4,5)	.160/.164 (4,0/4,1)	.155 (3,9)	.240 (6,0)	.078 (1,9)	.317 (8,0)	2
27SR157475	.335/.408 (8,5/10,4)	.161/.165 (4,1/4,2)	.156 (4,0)	.475 (12,1)	.071 (1,8)	.315 (8,0)	4
27SR1660240	.050/.180 (1,2/4,5)	.162/.166 (4,1/4,2)	.157 (4,0)	.236 (5,9)	.081 (2,0)	.375 (9,5)	2
27SR157275	.175/.215 (4,5/5,5)	.162/.166 (4,1/4,2)	.157 (4,0)	.284 (7,2)	.084 (2,1)	.318 (8,0)	4
27SR157315	.148/.188 (3,8/4,8)	.162/.166 (4,1/4,2)	.157 (4,0)	.315 (8,0)	.083 (2,1)	.315 (8,0)	4
27SR157350	.256/.295 (6,5/7,5)	.161/.165 (4,1/4,2)	.157 (4,0)	.350 (8,9)	.071 (1,8)	.317 (8,1)	4
27SR157390	.295/.335 (7,5/8,5)	.161/.165 (4,1/4,2)	.157 (4,0)	.390 (9,9)	.071 (1,8)	.317 (8,7)	4
27SR157290	.290/.330 (7,4/8,4)	.162/.166 (4,1/4,2)	.157 (4,0)	.395 (10,0)	.083 (2,1)	.317 (8,0)	4
27SR160475	.354/.413 (8,9/10,4)	.161/.165 (4,1/4,2)	.157 (4,0)	.470 (11,9)	.071 (1,8)	.317 (8,7)	4
27SR1600315	.100/.250 (2,5/6,4)	.165/.169 (4,2/4,3)	.160 (4,0)	.315 (8,0)	.034 (0,8)	.278 (7,0)	4
27SR1660400	.250/.265 (6,3/6,7)	.170 (4,3)	.165 (4,2)	.410 (10,4)	.079 (2,0)	.370 (9,4)	4
27SR1660265	.170/.210 (4,3/5,3)	.171/.175 (4,3/4,4)	.166 (4,2)	.265 (6,7)	.084 (2,1)	.315 (8,0)	2
27SR180530	.250/.437 (6,3/11,1)	.187/.191 (4,7/4,8)	.182 (4,6)	.530 (13,4)	.098 (2,4)	.356 (9,0)	4
27SR197180	.059/.098 (1,5/2,5)	.201/.205 (5,1/5,2)	.195 (4,9)	.180 (4,5)	.087 (2,2)	.350 (8,9)	4
27SR197220	.098/.138 (2,5/3,5)	.201/.205 (5,1/5,2)	.195 (4,9)	.220 (5,6)	.087 (2,2)	.350 (8,9)	4
27SR197260	.105/.170 (2,7/4,3)	.201/.205 (5,1/5,2)	.195 (4,9)	.260 (6,6)	.087 (2,2)	.350 (8,9)	4
27SR200330	.138/.177 (3,5/4,5)	.201/.205 (5,1/5,2)	.195 (4,9)	.330 (8,4)	.087 (2,2)	.350 (8,9)	4
27SR197410	.295/.335 (7,5/8,5)	.201/.205 (5,1/5,2)	.195 (4,9)	.410 (10,4)	.087 (2,2)	.350 (8,9)	4
27SR1970330	.217/.256 (5,5/6,5)	.202/.206 (5,1/5,2)	.197 (5,0)	.330 (8,4)	.085 (2,1)	.356 (9,0)	4
27SR2000370	.230/.300 (5,8/7,6)	.203/.207 (5,1/5,2)	.198 (5,0)	.368 (9,4)	.095 (2,4)	.352 (8,9)	4
27SR0030	.160/.200 (4,0/5,0)	.205/.209 (5,2/5,3)	.200 (5,0)	.280 (7,0)	.064 (1,9)	.350 (8,0)	4
27SR236240	.098/.157 (2,4/4,0)	.240/.244 (6,1/6,2)	.236 (5,9)	.240 (6,1)	.098 (2,4)	.475 (12,1)	4
27SR236310	.138/.217 (3,5/5,5)	.240/.244 (6,1/6,2)	.236 (6,0)	.310 (7,9)	.118 (3,0)	.472 (12,0)	4
27SR2400187	.031/.062 (0,7/1,5)	.248/.252 (6,3/6,4)	.240 (6,1)	.187 (5,0)	.120 (3,0)	.440 (11,1)	4
27SR2400250	.062/.125 (1,5/3,1)	.248/.252 (6,3/6,4)	.240 (6,1)	.250 (6,3)	.120 (3,0)	.440 (11,1)	4
27SR2400312	.125/.187 (3,1/4,7)	.248/.252 (6,3/6,4)	.240 (6,1)	.312 (7,9)	.120 (3,0)	.440 (11,1)	4
27SR2400375	.187/.250 (4,7/6,3)	.248/.252 (6,3/6,4)	.240 (6,1)	.375 (9,5)	.120 (3,0)	.440 (11,1)	4
27SR2400500	.250/.375 (6,3/9,5)	.248/.252 (6,3/6,4)	.240 (6,1)	.500 (12,7)	.120 (3,0)	.440 (11,1)	4

PANEL FASTENERS AND HOLE PLUGS

SECTION VI



Micro Plastics' Poly Rivets are one-piece nylon blind rivets that offer a fast economical, permanent, fastener that can be used in a wide variety of materials including sheet metal, plastic sheets, fiberglass, P.C. boards and composites. Fast, easy installation can be made without tools from one side of the work piece. The rivet is inserted in a pre-punched hole and the drive pin is forced into the specially designed legs, with a drive rivet tool, which expand and securely locks the assembled components in place. The versatile Poly Rivet provides a secure joint even under extreme vibration conditions while it electrically insulates and resists corrosion and cathodic transfer. The following are some of the more common sizes available. Because of Micro Plastics' unique tooling approach, designs can be varied over a wide range: diameter, head style and lengths can be adjusted to meet your requirements. Let us know what you need.



POLY DRIVE RIVETS

Molded in Natural Nylon 6/6

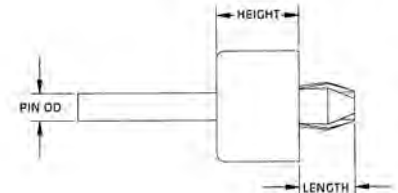
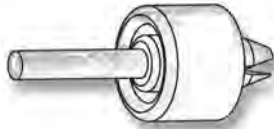
PART NUMBER	HOLE SIZE RND	PANEL THICKNESS	HEAD	OD	HEIGHT	LENGTH	PIN OD
61PR100000	.218 (5,54)	.093/.350 (2,36/9,53)	Round	.380 (9,65)	.080 (2,03)	.450 (11,43)	.120 (3,05)
61PR100100	.156 (3,96)	.187/.250 (4,75/6,35)	Binder	.218 (5,54)	.050 (1,27)	.312 (7,92)	.093 (2,36)
61PR100200	.218 (5,54)	.094/.312 (2,39/7,92)	Binder	.437 (11,10)	.100 (2,54)	.464 (11,79)	.125 (3,18)
61PR100300	.156 (3,96)	.218/.312 (5,54/7,92)	Binder	.218 (5,54)	.050 (1,27)	.359 (9,12)	.093 (2,36)
61PR100400	.187 (4,75)	.062/.187 (1,57/4,75)	Truss	.281 (7,14)	.050 (1,27)	.296 (7,52)	.125 (3,18)
61PR100500	.226 (5,74)	.125/.312 (3,18/7,92)	Truss	.376 (9,55)	.080 (2,03)	.467 (11,86)	.120 (3,05)
61PR100800	.156 (3,96)	.218/.383 (5,54/9,73)	Binder	.218 (5,54)	.050 (1,27)	.421 (10,69)	.093 (2,36)
61PR200000	.187 (4,75)	.156/.281 (3,96/7,14)	Truss	.435 (11,05)	.075 (1,91)	.380 (9,65)	.125 (3,18)
61PR200100	.187 (4,75)	.062/.125 (1,57/3,18)	Binder	.430 (10,92)	.120 (3,05)	.216 (5,49)	.125 (3,18)
61PR200200	.187 (4,75)	.125/.187 (3,18/4,75)	Truss	.435 (11,05)	.075 (1,91)	.281 (7,14)	.125 (3,18)
61PR200300	.187 (4,75)	.062/.187 (1,57/4,75)	Truss	.435 (11,05)	.075 (1,91)	.285 (7,24)	.125 (3,18)
61PR200800	.187 (4,75)	.031/.200 (0,79/5,08)	Round	.275 (6,98)	.075 (1,91)	.295 (7,49)	.125 (3,18)
61PR300000	.187 (4,75)	.312/.440 (7,92/11,18)	Binder	.281 (7,14)	.075 (1,91)	.535 (13,59)	.125 (3,18)
61PR300100	.187 (4,75)	.062/.187 (1,57/4,75)	Round	.281 (7,14)	.075 (1,91)	.295 (7,49)	.125 (3,18)
61PR300200	.187 (4,75)	.062/.125 (1,57/3,18)	Round	.281 (7,14)	.075 (1,91)	.230 (5,84)	.125 (3,18)
61PR300300	.187 (4,75)	.078/.375 (1,98/9,53)	Round	.281 (7,14)	.047 (1,19)	.450 (11,43)	.125 (3,18)
61PR300400	.187 (4,75)	.312/.440 (7,92/11,18)	Round	.320 (8,13)	.109 (2,77)	.535 (13,59)	.125 (3,18)
61PR300500	.187 (4,75)	.375/.500 (9,53/12,70)	Binder	.281 (7,14)	.080 (2,03)	.625 (15,88)	.125 (3,18)
61PR300600	.187 (4,75)	.078/.375 (1,98/9,50)	Round	.320 (8,13)	.109 (2,77)	.455 (11,56)	.125 (3,18)
61PR300700	.187 (4,75)	.375/.500 (9,53/12,70)	Round	.320 (8,13)	.109 (2,77)	.609 (15,47)	.125 (3,18)
* 61PR300800	.187 (4,75)	.375/.750 (9,53/19,05)	Binder	.320 (8,13)	.115 (2,92)	.850 (21,59)	.125 (3,18)
61PR300900	.275 (6,99)	.062/.600 (1,57/15,24)	Round	.370 (9,40)	.080 (2,03)	.640 (16,26)	.150 (3,81)
61PR400000	.250 (6,35)	.350/.500 (8,89/12,70)	Binder	.468 (11,89)	.080 (2,03)	.620 (15,75)	.150 (3,81)
61PR400100	.250 (6,35)	.350/.500 (8,89/12,70)	Round	.370 (9,40)	.080 (2,03)	.620 (15,75)	.150 (3,81)
61PR400200	.250 (6,35)	.156/.330 (3,96/8,38)	Binder	.468 (11,89)	.080 (2,03)	.375 (9,53)	.155 (3,94)
61PR400300	.250 (6,35)	.093/.312 (2,36/7,92)	Binder	.468 (11,89)	.080 (2,03)	.500 (12,70)	.150 (3,81)
61PR400600	.187 (4,75)	.078/.375 (1,98/9,53)	Binder	.312 (7,92)	.062 (1,57)	.445 (11,30)	.125 (3,18)
61PR400700	.245 (6,22)	.140/.550 (3,56/13,99)	Round	.375 (9,53)	.100 (2,54)	.625 (15,88)	.150 (3,81)
61PR400800	.250 (6,35)	.125/.437 (3,18/11,10)	Binder	.468 (11,89)	.080 (2,03)	.585 (14,86)	.150 (3,81)

*61PR300800 WILL NOT WORK WITH DRIVE RIVET INSERTION TOOLS.

POLY DRIVE RIVETS

Molded in **Natural Nylon 6/6**

PART NUMBER	HOLE SIZE RND	PANEL THICKNESS	HEAD	OD	HEIGHT	LENGTH	PIN OD
61PR400900	.250 (6,35)	.078/.275 (1,98/6,99)	Button	.494 (12,55)	.305 (7,75)	.375 (9,53)	.155 (3,94)
61PR500500	.227 (5,77)	.031/.062 (0,79/1,57)	Button	.375 (9,53)	.223 (5,66)	.170 (4,32)	.125 (3,18)
61PR600000	.182 (4,62)	.130/.290 (3,30/7,37)	Truss	.280 (7,11)	.050 (1,27)	.380 (9,65)	.120 (3,05)
61PR600100	.160 (4,06)	.062/.180 (1,57/4,57)	Round	.295 (7,49)	.050 (1,27)	.230 (5,84)	.093 (2,36)
61PR700100	.187 (4,75)	.156/.281 (3,96/7,14)	Truss	.437 (11,10)	.075 (1,91)	.380 (9,65)	.125 (3,18)
61PR700200	.187 (4,75)	.062/.187 (1,57/4,75)	Truss	.437 (11,10)	.075 (1,91)	.295 (7,49)	.125 (3,18)
61PR700300	.226 (5,74)	.125/.312 (3,18/7,92)	Truss	.437 (11,10)	.075 (1,91)	.468 (11,43)	.125 (3,18)
61PR700900	.250 (6,35)	.062/.125 (1,57/3,18)	Round	.370 (9,40)	.080 (2,03)	.218 (5,54)	.125 (3,18)
61PR800000	.250 (6,35)	.093/.312 (2,36/7,92)	Truss	.468 (11,89)	.080 (2,03)	.500 (12,70)	.150 (3,81)
61PR800100	.250 (6,35)	.281/.500 (7,14/12,70)	Truss	.468 (11,89)	.080 (2,03)	.620 (15,75)	.150 (3,81)
61PR800300	.250 (6,35)	.109/.156 (2,77/3,96)	Round	1/2 (12,70)	5/16 (7,94)	3/8 (9,53)	.155 (3,94)
61PR900000	.125 (3,18)	.031/.140 (0,79/3,56)	Round	.187 (4,75)	.047 (1,19)	.190 (4,83)	.075 (1,91)
61PR900100	.130 (3,30)	.031/.140 (0,79/3,56)	Round	.218 (5,54)	.060 (1,52)	.225 (5,72)	.075 (1,91)
61PR010000	.218 (5,54)	.187/.250 (4,75/6,35)	Truss	.375 (9,53)	.080 (2,03)	.343 (8,71)	.120 (3,05)
61PR010100	.275 (6,99)	.093/.350 (2,36/8,89)	Binder	.620 (15,75)	.109 (2,77)	.480 (12,19)	.150 (3,81)
61PR010200	.280 (7,11)	.062/.350 (1,57/8,89)	Truss	.485 (12,32)	.075 (1,91)	.468 (11,89)	.187 (4,75)
61PR010300	.250 (6,35)	.093/.312 (2,36/7,92)	Binder	.625 (15,88)	.109 (2,77)	.485 (12,31)	.150 (3,81)
61PR010400	.250 (6,35)	.281/.500 (7,14/12,70)	Binder	.615 (15,62)	.109 (2,77)	.620 (15,75)	.150 (3,81)
61PR010500	.290 (7,37)	.093/.187 (2,37/4,75)	Binder	.620 (15,75)	.109 (2,77)	.300 (7,62)	.150 (3,81)
61PR010600	.160 (4,06)	.218/.312 (5,54/7,92)	Binder	.375 (9,53)	.050 (1,27)	.355 (8,89)	.093 (2,36)
61PR010110	.226 (5,74)	.125/.312 (3,18/7,92)	Round	.375 (9,53)	.080 (2,03)	.468 (11,43)	.120 (3,05)
61PR010210	.187 (4,75)	.062/.187 (1,57/4,75)	Round	.375 (9,53)	.080 (2,03)	.295 (7,49)	.125 (3,18)
61PR010310	.187 (4,75)	.156/.281 (3,96/7,14)	Round	.375 (9,53)	.080 (2,03)	.380 (9,65)	.125 (3,18)
61PR010410	.187 (4,75)	.062/.187 (1,57/4,75)	Round	.375 (9,53)	.080 (2,03)	.281 (7,14)	.125 (3,18)
61PR010510	.215 (5,46)	.078/.300 (1,98/7,62)	Truss	.630 (16,00)	.080 (2,03)	.415 (10,54)	.120 (3,05)

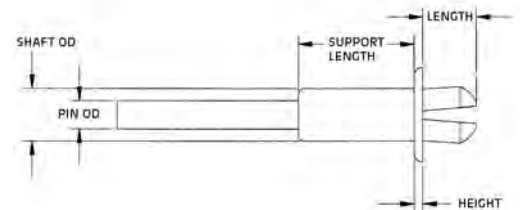


POLY DRIVE RIVET MOUNTING FEET

Molded in **Natural Nylon 6/6**

PART NUMBER	HOLE SIZE RND	PANEL THICKNESS	HEAD	OD	HEIGHT	LENGTH	PIN OD
61PMF10000*	.280 (7,11)	.061/.187 (1,55/4,75)	Foot	.760 (19,30)	.570 (14,48)	.385 (9,78)	.187 (4,75)
61PSS40000	.250 (6,35)	.030/.125 (0,76/3,18)	Foot	.375 (9,53)	.500 (12,70)	.238 (6,05)	.150 (3,81)

* Low Density Polyethylene Material.



POLY DRIVE RIVET SUPPORTS

Molded in **Natural Nylon 6/6**

PART NUMBER	HOLE SIZE RND	PANEL THICKNESS	HEAD	OD	HEIGHT	LENGTH	PIN OD	SUPPORT LENGTH	SHAFT OD
61PSS10000	.187 (4,75)	.030/.125 (0,76/3,18)	Support	.325 (8,26)	.030 (0,76)	.200 (5,08)	.097 (2,46)	.400 (10,16)	.180 (4,57)
61PSS20000	.250 (6,35)	.030/.125 (0,76/3,18)	Support	13/32 (10,31)	.047 (1,19)	.187 (4,75)	.125 (3,18)	.703 (17,86)	.240 (6,10)

PANEL FASTENERS AND HOLE PLUGS

SECTION

VI

DRIVE RIVET INSERTION TOOLS

Micro Plastics' tough, lightweight drive rivet insertion tool makes the assembly of our polyrivets even more economical. This tool provides a faster assembly, more accurate placement and positions in hard to reach areas. Large plunger head and easy-grip handle reduce operator fatigue. Rivets do not have to be predriven. In use, the rivet is loaded in tool and inserted in prepared hole, pressure on the plunger frees the pin and expands the rivet in the assembly. Three sizes are available to cover all standard drive rivets.

- **TOOLS ARE COLOR CODED FOR IDENTIFICATION**

ITEM NUMBER	PIN OD	COLOR
61PRT0075	.075 (1,91)	RED
61PRT0093	.093 (2,36)	BLACK
61PRT0125	.125 (3,18)	YELLOW
61PRT0150	.150 (3,81)	GREEN



PNEUMATIC DRIVE RIVET INSERTION TOOL

- **BOOST PRODUCTIVITY**
- **IMPROVE QUALITY**

The Pneumatic Drive Rivet Tool is especially suited for hard to reach or delicate assemblies encountered on all kinds of mechanical and electrical components, appliances, P.C. board assemblies, relays, switches, controls, etc.

The durable, lightweight alloy insert tool weighs only 22 ounces and features an easy-grip, non-slip, straight case for single hand fatigue free operation and is equipped with a suspension bail for overhead connections on bench type precision assemblies. The insert tool can be safely used in all positions.

In operation the rivet is loaded in the tool and inserted in the prepared hole, slight pressure activates the pneumatic switch and the rivet is driven into the assembly effortlessly.

RIVETS NEED NOT BE PREDRIVEN.



COVERED BY U.S. / FOREIGN PATENTS

Tool is designed to use standard shop air, operating pressure range is 50 to 70 PSI with instant cycling time. One tool will drive all standard rivet sizes, three interchangeable driver attachments are included. Mandrel sizes are .075, .125 and .150

UNIQUE, PRECISION TOOL DESIGNED TO EFFICIENTLY ASSEMBLE ALL NYLON DRIVE RIVETS AND MOST ONE-PIECE METAL EXPANSION RIVETS.

ITEM NUMBER	DESCRIPTION
61PPRT100	PNEUMATIC RIVET INSERT TOOL (WITH 3 DRIVER ATTACHMENTS)

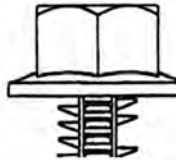
PANEL FASTENERS AND HOLE PLUGS

SECTION
VI

SPIN CLIPS

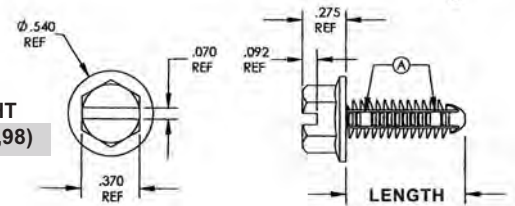
Molded in Natural Nylon 6/6

This design combines the advantages of a push-in type fastener with a screw. For fast assembly, the part can be pushed into a 1/4" threaded hole, and then screwed in for a tighter fit, or screwed out for disassembly. This part will also function as a standard Fin Clip for use in a unthreaded hole with a diameter of approximately 13/64"



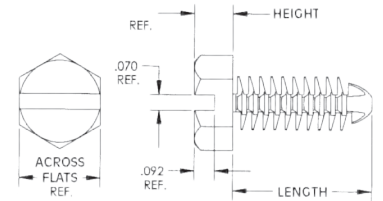
Slotted HEX FLANGE

PART NUMBER	SCREW SIZE	LENGTH	HOLE SIZE RND	ACROSS FLATS	HEIGHT
27SC2520HW075	1/4	3/4"	.203 (5,16)	.370 (3,48)	.275 (6,98)



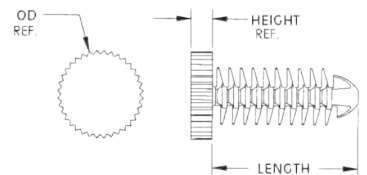
Slotted HEX

PART NUMBER	SCREW SIZE	LENGTH	HOLE SIZE RND	ACROSS FLATS	HEIGHT
27SC2520H037	1/4	3/8"	.203 (5,16)	.370 (3,48)	.175 (4,45)
27SC2520H050	1/4	1/2"	.203 (5,16)	.370 (3,48)	.175 (4,45)
27SC2520H062	1/4	5/8"	.203 (5,16)	.370 (3,48)	.175 (4,45)
27SC2520H075	1/4	3/4"	.203 (5,16)	.370 (3,48)	.175 (4,45)
27SC2520H100	1/4	1"	.203 (5,16)	.370 (3,48)	.175 (4,45)



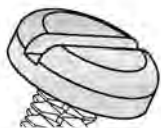
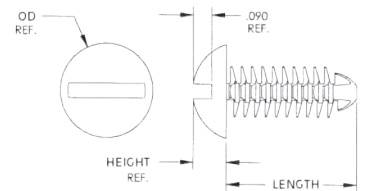
Unslotted KNURLED

PART NUMBER	SCREW SIZE	LENGTH	HOLE SIZE RND	OD	HEIGHT
27SC2520K037	1/4	3/8"	.203 (5,16)	.375 (9,53)	.093 (2,36)
27SC2520K050	1/4	1/2"	.203 (5,16)	.375 (9,53)	.093 (2,36)
27SC2520K062	1/4	5/8"	.203 (5,16)	.375 (9,53)	.093 (2,36)
27SC2520K075	1/4	3/4"	.203 (5,16)	.375 (9,53)	.093 (2,36)
27SC2520K100	1/4	1"	.203 (5,16)	.375 (9,53)	.093 (2,36)



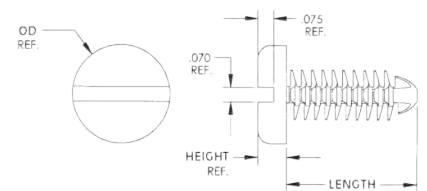
Slotted ROUND

PART NUMBER	SCREW SIZE	LENGTH	HOLE SIZE RND	OD	HEIGHT
27SC2520R037	1/4	3/8"	.203 (5,16)	.450 (11,43)	.160 (4,06)
27SC2520R050	1/4	1/2"	.203 (5,16)	.450 (11,43)	.160 (4,06)
27SC2520R062	1/4	5/8"	.203 (5,16)	.450 (11,43)	.160 (4,06)
27SC2520R075	1/4	3/4"	.203 (5,16)	.450 (11,43)	.160 (4,06)
27SC2520R100	1/4	1"	.203 (5,16)	.450 (11,43)	.160 (4,06)



Slotted PAN

PART NUMBER	SCREW SIZE	LENGTH	HOLE SIZE RND	OD	HEIGHT
27SC2520P037	1/4	3/8"	.203 (5,16)	.475 (12,07)	.137 (3,47)
27SC2520P050	1/4	1/2"	.203 (5,16)	.475 (12,07)	.137 (3,47)
27SC2520P062	1/4	5/8"	.203 (5,16)	.475 (12,07)	.137 (3,47)
27SC2520P075	1/4	3/4"	.203 (5,16)	.475 (12,07)	.137 (3,47)
27SC2520P100	1/4	1"	.203 (5,16)	.475 (12,07)	.137 (3,47)



PANEL FASTENERS AND HOLE PLUGS

SECTION
VI

RATCHET FASTENERS

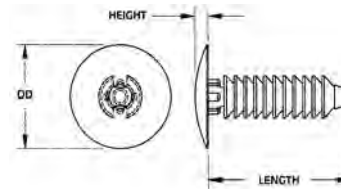
Molded in **BLACK** Nylon 6/6

Micro Plastics' Ratchet Fasteners are designed to provide an economical fastening method over a wide range of panel thicknesses and materials. The installation assures a quick assembly and a strong and reliable finished product.

- RATCHET FASTENERS ARE PACKAGED 1000 PCS. PER BAG
- PARTS MUST BE PURCHASED IN PACKAGED QUANTITIES.



New
SIZES



PART NUMBER	HOLE SIZE RND.	PANEL THICKNESS	HEADSTYLE	OD	HEIGHT	LENGTH
27RT1560432	.156 (3,96)	.030/.234 (0,76/5,94)	A	.360 (9,14)	.060 (1,52)	.432 (10,97)
27RT160400	.160 (4,06)	.040/.250 (1,01/6,35)	B	.359 (9,11)	.060 (1,52)	.426 (10,82)
27RT187310	.187 (4,75)	.030/.150 (0,76/3,81)	B	.445 (11,30)	.068 (1,73)	.300 (7,62)
27RT187470	.187 (4,75)	.030/.330 (0,76/8,38)	B	.442 (11,22)	.068 (1,73)	.470 (11,93)
27RT187675	.187 (4,75)	.030/.512 (0,76/13,00)	B	7/16 (11,11)	.070 (1,78)	.680 (17,27)
27RT187500	.187 (4,75)	.025/.365 (0,64/9,27)	A	.375 (9,53)	.070 (1,78)	.500 (12,70)
27RT187550	.187 (4,75)	.030/.330 (0,76/8,38)	B	.442 (11,22)	.068 (1,73)	.562 (14,27)
27RT187640	.187 (4,75)	.125/.365 (3,18/9,27)	D	7/16 (11,11)	.070 (1,78)	.640 (16,26)
27RT187680	.187 (4,75)	.030/.512 (0,76/13,00)	D	.492 (12,50)	.067 (1,70)	.680 (17,27)
*27RT18770PPB	.187 (4,75)	.125/.450 (3,18/11,43)	C	.300 (7,22)	.065 (1,65)	.700 (17,78)
27RT218774	.218 (5,53)	.060/.560 (1,52/14,22)	A	.650 (16,51)	.090 (2,28)	.774 (19,65)
27RT2811220	.281 (7,13)	.078/1.000 (1,98/25,4)	D	.490 (12,44)	.093 (2,36)	1.220 (30,98)
27RT250425	.250 (6,35)	.020/.218 (0,50/5,53)	A	.720 (18,29)	.098 (2,48)	.425 (10,80)
27RT250425A	.250 (6,35)	.020/.218 (0,50/5,53)	A	.433 (11,00)	.039 (0,99)	.425 (10,80)
27RT250440	.250 (6,35)	.105/.300 (2,67/7,62)	A Textured Head	.700 (17,78)	.100 (2,54)	.437 (11,10)
27RT250625	.250 (6,35)	.120/.140 (3,04/3,55)	A	.503 (12,77)	.050 (1,27)	.628 (15,95)
27RT250800	.250 (6,35)	.150/.535 (3,81/13,59)	A	.700 (17,78)	.095 (2,54)	.800 (20,32)
27RT250810	.250 (6,35)	.150/.535 (3,81/13,59)	A	.495 (12,57)	.074 (1,88)	.783 (19,89)
27RT250900	.250 (6,35)	.062/.480 (1,57/12,19)	D	.492 (12,50)	.067 (1,70)	.787 (19,99)
27RT281975	.281 (7,13)	.170/.770 (4,32/19,56)	A	.695 (17,65)	.090 (2,29)	.975 (24,77)
27RT2811000	.281 (7,13)	.084/.500 (2,13/12,70)	E	.625 (15,87)	.110 (2,79)	.890 (22,61)
27RT3121516	.312 (7,92)	.084/1.125 (2,13/28,57)	E	.619 (15,72)	.114 (2,89)	1.507 (38,27)
27RT406820	.406 (10,31)	.115/.565 (2,92/14,35)	A	1.000 (25,4)	.080 (2,03)	.820 (20,82)

* PART MOLDED IN BLACK POLYPROPYLENE * BULK PACKAGING

SPECIAL ITEM XMAS TREE TYPE CLIPS

Molded in **Black** Nylon 6/6

Hole Size .250 (6,35)
Panel Thickness .078/1.000 (1,98/25,4)

PART NUMBER 27XTS2501430

Hole Size .295 (7,49)
Panel Thickness .094/.393 (2,38/9,98)

PART NUMBER 27XTS1870670

Hole Size .187 (4,74)
Panel Thickness .156/1.125 (3,96/28,5)

PART NUMBER 27XTS1871360

Hole Size .219 (5,56)
Panel Thickness .063/.252 (1,60/6,40)

PART NUMBER 27XTS1970437

PANEL FASTENERS AND HOLE PLUGS

SECTION
VI

SPECIAL ITEM XMAS TREE TYPE CLIPS

Molded in **BLACK Nylon 6/6**

Micro Plastics Special Item xmas tree type clips are molded in corrosion, abrasion, and vibration resistant Nylon 6/6. Parts fit a variety of hole sizes and panel thicknesses. Clips can be used in blind hole applications.

Hole Size .120/.130 (3,04/3,30)
Panel Thickness .135/.354 (3,42/8,99)

PART NUMBER 27XTS1250440

Hole Size .281 (7,14)
Panel Thickness .810/1.580 (20,57/40,13)

PART NUMBER 27XTS2812020

Hole Size .320 (8,13)
Panel Thickness .120/.500 (3,05/12,70)

PART NUMBER 27XTS3170660

Hole Size .245/.255 (6,22/6,48)
Panel Thickness .070/.400 (1,78/10,16)

PART NUMBER 27XTS2500561

Hole Size .250 (6,35)
Panel Thickness .125/.687 (3,18/17,45)

PART NUMBER 27XTS2500787

Hole Size .250 (6,35)
Panel Thickness .050/.875 (1,27/22,23)

PART NUMBER 27XTS2501250

Hole Size .120/.130 (3,05/3,30)
Panel Thickness .135/.250 (3,43/6,35)

PART NUMBER 27XTS1250308

Hole Size .182/.192 (4,62/4,88)
Panel Thickness .035/.210 (0,89/5,33)

PART NUMBER 27XTS1870442

Hole Size .240/.260 (6,10/6,60)
Panel Thickness .075/.185 (1,91/4,70)

PART NUMBER 27XTS2500394

PANEL FASTENERS AND HOLE PLUGS

SECTION
VI

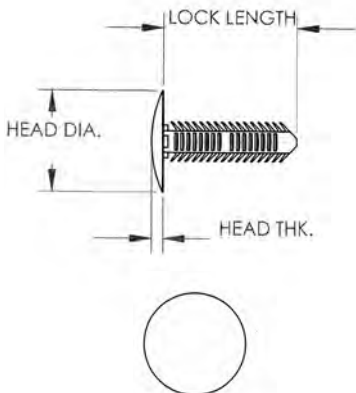
STANDARD XMAS TREE TYPE CLIPS

Molded in **Black Nylon 6/6**

**METRIC Sizes
Also Available**
Page 283



**New
SIZES**



PART NUMBER	HOLE SIZE	PANEL THICKNESS RANGE	HEAD DIAMETER	HEAD THICKNESS	LOCK LENGTH
27XT1250125	.125 (3,18)	.062-.125 (1,57 - 3,18)	.344 (8,74)	.062 (1,57)	.208 (5,28)
27XT1250250	.125 (3,18)	.062-.250 (1,57 - 6,35)	.344 (8,74)	.062 (1,57)	.321 (8,15)
27XT1250375	.125 (3,18)	.062-.375 (1,57 - 9,53)	.344 (8,74)	.062 (1,57)	.458 (11,63)
27XT1880250	.188 (4,78)	.062-.250 (1,57 - 6,35)	.500 (12,70)	.078 (1,98)	.348 (8,84)
27XT1880375	.188 (4,78)	.062-.375 (1,57 - 9,53)	1/2 (12,70)	.078 (1,98)	.473 (12,01)
27XT1880500	.188 (4,78)	.062-.500 (1,57 - 12,70)	1/2 (12,70)	.078 (1,98)	.598 (15,19)
27XT1880625	.188 (4,78)	.062-.625 (1,57 - 15,88)	.500 (12,70)	.078 (1,98)	.723 (18,36)
27XT1880750	.188 (4,78)	.062-.750 (1,57 - 19,05)	1/2 (12,70)	.078 (1,98)	.848 (21,54)
27XT2030375	.203 (5,16)	.070-.250 (1,78 - 6,35)	.625 (15,88)	.100 (2,54)	.375 (9,53)
27XT2500250	.250 (6,35)	.062-.250 (1,57 - 6,35)	.700 (17,78)	.100 (2,54)	.391 (9,93)
27XT2500375	.250 (6,35)	.062-.375 (1,57 - 9,53)	.700 (17,78)	.100 (2,54)	.506 (12,85)
27XT2500500	.250 (6,35)	.062-.500 (1,57 - 12,70)	.700 (17,78)	.100 (2,54)	.630 (16,00)
27XT2500625	.250 (6,35)	.062-.625 (1,57 - 15,88)	.700 (17,78)	.100 (2,54)	.755 (19,18)
27XT2500750	.250 (6,35)	.062-.750 (1,57 - 19,05)	.700 (17,78)	.100 (2,54)	.880 (22,35)
27XT2500875	.250 (6,35)	.062-.875 (1,57 - 22,23)	.700 (17,78)	.100 (2,54)	1.004 (25,50)
27XT2501000	.250 (6,35)	.062-1.000 (1,57 - 25,40)	.700 (17,78)	.100 (2,54)	1.120 (28,45)
27XT2501250	.250 (6,35)	.062-1.250 (1,57 - 31,75)	.700 (17,78)	.100 (2,54)	1.380 (35,05)
27XT2501500	.250 (6,35)	.062-1.500 (1,57 - 38,10)	.700 (17,78)	.100 (2,54)	1.632 (41,45)
27XT2501750	.250 (6,35)	.062-1.750 (1,57 - 44,45)	.700 (17,78)	.100 (2,54)	1.882 (47,80)
27XT2502000	.250 (6,35)	.062-2.000 (1,57 - 50,80)	.700 (17,78)	.100 (2,54)	2.132 (54,15)
27XT2810250	.281 (7,14)	.062-.250 (1,57 - 6,35)	.790 (20,07)	.100 (2,54)	.384 (9,75)
27XT2810375	.281 (7,14)	.062-.375 (1,57 - 9,53)	.787 (19,99)	.100 (2,54)	.515 (13,08)
27XT2810500	.281 (7,14)	.062-.500 (1,57 - 12,70)	.787 (19,99)	.100 (2,54)	.642 (16,31)
27XT2810625	.281 (7,14)	.062-.625 (1,57 - 15,88)	.787 (19,99)	.100 (2,54)	.767 (19,48)
27XT2810750	.281 (7,14)	.062-.750 (1,57 - 19,05)	.787 (19,99)	.100 (2,54)	.894 (22,71)
27XT2810875	.281 (7,14)	.062-.875 (1,57 - 22,23)	.787 (19,99)	.100 (2,54)	1.021 (25,93)
27XT2811000	.281 (7,14)	.062-1.000 (1,57 - 25,40)	.787 (19,99)	.100 (2,54)	1.147 (29,13)
27XT2811250	.281 (7,14)	.062-1.250 (1,57 - 31,75)	.787 (19,99)	.100 (2,54)	1.401 (35,59)
27XT2811500	.281 (7,14)	.062-1.500 (1,57 - 38,10)	.787 (19,99)	.100 (2,54)	1.651 (41,94)
27XT2811750	.281 (7,14)	.062-1.750 (1,57 - 44,45)	.787 (19,99)	.100 (2,54)	1.901 (48,29)
27XT3120250	.312 (7,92)	.062-.250 (1,57 - 6,35)	.874 (22,20)	.100 (2,54)	.410 (10,41)
27XT3120375	.312 (7,92)	.062-.375 (1,57 - 9,53)	.874 (22,20)	.100 (2,54)	.529 (13,44)
27XT3120500	.312 (7,92)	.062-.500 (1,57 - 12,7)	.874 (22,20)	.100 (2,54)	.655 (16,63)
27XT3120625	.312 (7,92)	.062-.625 (1,57 - 15,88)	.874 (22,20)	.100 (2,54)	.783 (19,89)
27XT3120750	.312 (7,92)	.062-.750 (1,57 - 19,05)	.874 (22,20)	.100 (2,54)	.894 (22,71)
27XT3120875	.312 (7,92)	.062-.875 (1,57 - 22,23)	.874 (22,20)	.100 (2,54)	1.036 (26,31)
27XT3121000	.312 (7,92)	.062-1.000 (1,57 - 25,40)	.874 (22,20)	.100 (2,54)	1.163 (29,54)
27XT3121250	.312 (7,92)	.062-1.250 (1,57 - 31,75)	.874 (22,20)	.100 (2,54)	1.416 (35,97)
27XT3121500	.312 (7,92)	.062-1.500 (1,57 - 38,10)	.874 (22,20)	.100 (2,54)	1.669 (42,39)
27XT3121750	.312 (7,92)	.062-1.750 (1,57 - 44,45)	.874 (22,19)	.100 (2,54)	1.923 (48,84)
27XT3150500	.315 (8,00)	.062-.500 (1,57 - 12,7)	.886 (22,50)	.100 (2,54)	.669 (16,99)
27XT3750250	.375 (9,53)	.062-.250 (1,57 - 6,35)	1.000 (25,40)	.100 (2,54)	.445 (11,30)
27XT3750375	.375 (9,52)	.062-.375 (1,57 - 9,53)	1.000 (24,40)	.100 (2,54)	.562 (14,27)
27XT3750500	.375 (9,53)	.062-.500 (1,57 - 12,70)	1.000 (25,40)	.100 (2,54)	.689 (17,50)
27XT3751000	.375 (9,52)	.062-1.000 (1,57 - 25,4)	1.000 (25,40)	.100 (2,54)	1.197 (30,40)

SPECIAL XMAS TREE TYPE CLIPS

Molded in **Black Nylon 6/6**

Hole Size .250 (6,35)
Panel Thickness .200/.500 (5,08/12,7)

PART NUMBER 27XTS2800710

Hole Size .234 (5,94)
Panel Thickness .140/.750 (3,55/19,05)

PART NUMBER 27XTS2340945

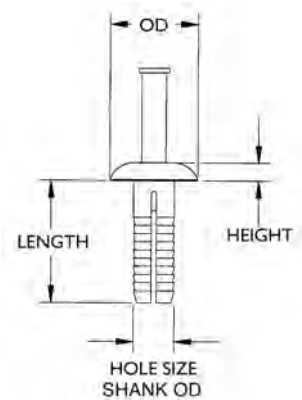
PANEL FASTENERS AND HOLE PLUGS

SECTION
VI

TWO PIECE ANCHOR RIVETS WITH PLASTIC & STEEL DRIVE PINS

Molded in: **BODY - White Impact Modified Nylon, PLASTIC PIN - White Acetal**

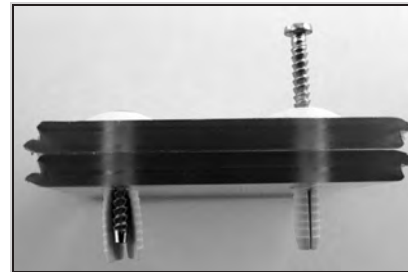
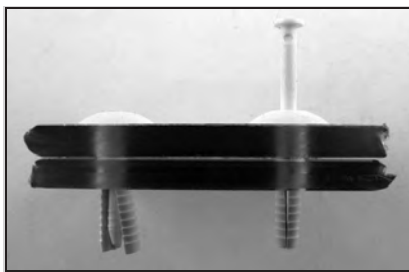
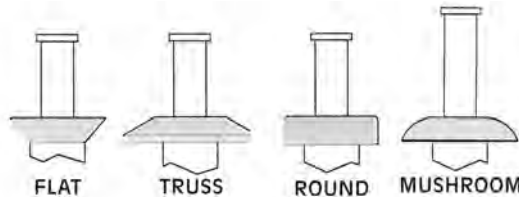
Micro Plastics' two piece Anchor Rivets provide versatile, inexpensive, vibration-resistant blind fasteners for solid or hollow materials including wood, concrete, plaster, metal, plastic, tile block or mortar. Installation is fast, rivet is inserted in predrilled hole and tapped with a hammer. The drive pin expands and seats the rivet securely in place. The Hi-Impact nylon anchor body provides high thermal, electrical, corrosion and vibration resistance. Typical uses for anchor rivets are; semi-trailer construction, liner panels, rails, scuff boards, floor plates, electrical fixtures, signs, plumbing fixtures, piping and conduit strap hangers, window and drapery hardware, railings, storage shelves and other assemblies requiring a positive, durable fastener.



NOTE: ANCHOR RIVETS ARE PACKAGED 1,000 PER BAG UNLESS OTHERWISE NOTED

- HIGH STRENGTH.
- ZINC PLATED.
- DEVELOPS HIGH PULL-OUT FORCE.
- THERMAL AND ELECTRICAL INSULATING.
- CORROSION AND VIBRATION RESISTANT.

New SIZES



PLASTIC DRIVE PIN

STEEL DRIVE PIN

PART NUMBER	SHANK OD	HOLE SIZE	LENGTH	HEADSTYLE
61APM18075	3/16 (4,76)	X	3/4 (19,05)	Mushroom, Plastic
61APM25075	1/4 (6,35)	X	3/4 (19,05)	Mushroom, Plastic
61APM25100	1/4 (6,35)	X	1 (25,40)	Mushroom, Plastic
61APM25150	1/4 (6,35)	X	1-1/2 (38,10)	Mushroom, Plastic
61APR18075	3/16 (4,76)	X	3/4 (19,05)	Round, Plastic
61APR25075	1/4 (6,35)	X	3/4 (19,05)	Round, Plastic
61APR25100	1/4 (6,35)	X	1 (25,40)	Round, Plastic
61APR25150	1/4 (6,35)	X	1-1/2 (38,10)	Round, Plastic
61APT18075	3/16 (4,76)	X	3/4 (19,05)	Truss, Plastic
61APT25075	1/4 (6,35)	X	3/4 (19,05)	Truss, Plastic
61APT25100	1/4 (6,35)	X	1 (25,40)	Truss, Plastic
61APT25125	1/4 (6,35)	X	1-1/4 (31,75)	Truss, Plastic
61APT25150	1/4 (6,35)	X	1-1/2 (38,10)	Truss, Plastic
61APT25200	1/4 (6,35)	X	2 (50,80)	Truss, Plastic
61APT25300*	1/4 (6,35)	X	3 (76,20)	Truss, Plastic
61APT25400*	1/4 (6,35)	X	4 (101,6)	Truss, Plastic
61APT25500**	1/4 (6,35)	X	5 (127,0)	Truss, Plastic
61APT25600**	1/4 (6,35)	X	6 (152,4)	Truss, Plastic
* PACKAGED 500 PCS PER BAG ** PACKAGED 250 PCS PER BAG				
61APF25056	1/4 (6,35)	X	9/16 (14,29)	Flat, Plastic
61APF25075	1/4 (6,35)	X	3/4 (19,05)	Flat, Plastic

PART NUMBER	SHANK OD	HOLE SIZE	LENGTH	HEADSTYLE
61ASM18075	3/16 (4,76)	X	3/4 (19,05)	Mushroom, Steel
61ASM18100	3/16 (4,76)	X	1 (25,40)	Mushroom, Steel
61ASM25075	1/4 (6,35)	X	3/4 (19,05)	Mushroom, Steel
61ASM25100	1/4 (6,35)	X	1 (25,40)	Mushroom, Steel
61ASM25150	1/4 (6,35)	X	1-1/2 (38,10)	Mushroom, Steel
61ASR18075	3/16 (4,76)	X	3/4 (19,05)	Round, Steel
61ASR18100	3/16 (4,76)	X	1 (25,40)	Round, Steel
61ASR25075	1/4 (6,35)	X	3/4 (19,05)	Round, Steel
61ASR25100	1/4 (6,35)	X	1 (25,40)	Round, Steel
61ASR25150	1/4 (6,35)	X	1-1/2 (38,10)	Round, Steel
61AST18075	3/16 (4,76)	X	3/4 (19,05)	Truss, Steel
61AST18100	3/16 (4,76)	X	1 (25,40)	Truss, Steel
61AST25075	1/4 (6,35)	X	3/4 (19,05)	Truss, Steel
61AST25100	1/4 (6,35)	X	1 (25,40)	Truss, Steel
61AST25150	1/4 (6,35)	X	1-1/2 (38,10)	Truss, Steel

Offered in Grey and Beige color also.
Add color name to the end of the part number when ordering.
EXAMPLE: 61APT25075GREY

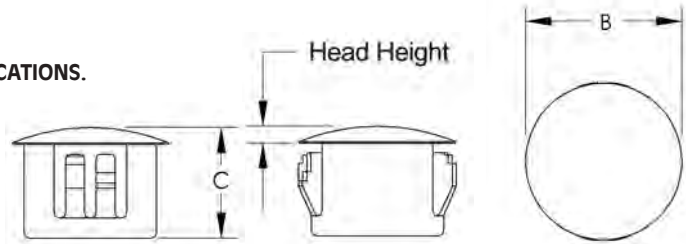
TYPE	OD	HEIGHT
Mushroom	9/16 (14,28)	.110 (2,79)
Round	7/16 (11,11)	.125 (3,18)
Truss	5/8 (15,88)	.110 (2,79)
Flat	7/16 (11,11)	.108 (2,74)

PANEL FASTENERS AND HOLE PLUGS

SECTION VI

Nylon Locking Hole Plugs are available in a large selection of sizes from 3/16" to 4". Designed with multiple locks to positively snap in panel thicknesses ranging from 1/64" to 1/4". Locking Hole Plugs are used to close excess chassis holes, wiring outlets, and production access holes.

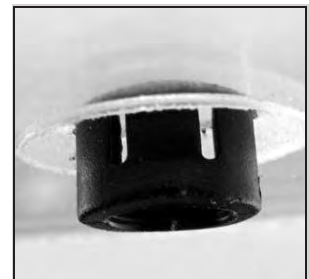
- MOLDED OF HEAT STABILIZED NYLON (UL94V2) **BLACK**
- SUITABLE FOR CRITICAL OR ELEVATED TEMPERATURE APPLICATIONS.
- WHITE PARTS ADD "W" TO THE END OF PART NUMBER.



LOCKING HOLE PLUGS

Molded in **Black Heat Stabilized Nylon (UL94V2)**

ITEM NUMBER	HOLE DIAMETER	MAXIMUM THICKNESS	HEAD DIA. B	THICKNESS C	HEAD HEIGHT
* 62MP0187	.187 (4,8)	.062 (1,6)	.250 (6,4)	.234 (5,9)	.062 (1,57)
* 62MP0250	.250 (6,4)	.062 (1,6)	.312 (8,0)	.312 (8,0)	.062 (1,57)
* 62MP0312	.312 (8,0)	.062 (1,6)	.375 (9,5)	.312 (8,0)	.062 (1,57)
* 62MP0375	.375 (9,5)	.125 (3,2)	.468 (12,0)	.406 (10,3)	.062 (1,57)
* 62MP0437	.437 (11,0)	.125 (3,2)	.531 (13,5)	.406 (10,3)	.062 (1,57)
* 62MP0500	.500 (12,7)	.125 (3,2)	.578 (14,6)	.406 (10,3)	.062 (1,57)
* 62MP0562	.562 (14,3)	.125 (3,2)	.656 (16,7)	.406 (10,3)	.062 (1,57)
* 62MP0625	.625 (15,9)	.125 (3,2)	.718 (18,2)	.406 (10,3)	.062 (1,57)
* 62MP0687	.687 (17,5)	.125 (3,2)	.781 (20,0)	.406 (10,3)	.062 (1,57)
* 62MP0750	.750 (19,0)	.125 (3,2)	.922 (23,2)	.406 (10,3)	.062 (1,57)
* 62MP0812	.812 (20,6)	.125 (3,2)	.890 (22,6)	.406 (10,3)	.062 (1,57)
* 62MP0875	.875 (22,2)	.125 (3,2)	1.016 (25,8)	.453 (11,5)	.062 (1,57)
** 62MP1000	1.000 (25,5)	.125 (3,2)	1.203 (30,5)	.453 (11,5)	.062 (1,57)
** 62MP1093	1.093 (27,8)	.125 (3,2)	1.222 (31,0)	.453 (11,5)	.062 (1,57)
** 62MP1187	1.187 (30,1)	.125 (3,2)	1.315 (33,4)	.453 (11,5)	.062 (1,57)
** 62MP1250	1.250 (32,0)	.125 (3,2)	1.375 (34,9)	.453 (11,5)	.062 (1,57)
** 62MP1250A	1.250 (32,0)	.125 (3,2)	1.500 (38,0)	.453 (11,5)	.062 (1,57)
** 62MP1375	1.375 (35,0)	.125 (3,2)	1.500 (38,0)	.453 (11,5)	.062 (1,57)
*** 62MP1500	1.500 (38,0)	.125 (3,2)	1.672 (42,7)	.453 (11,5)	.062 (1,57)
*** 62MP1750	1.750 (45,0)	.125 (3,2)	1.935 (49,1)	.453 (11,5)	.062 (1,57)
*** 62MP2000	2.000 (51,0)	.125 (3,2)	2.140 (55,0)	.453 (11,5)	.062 (1,57)
**** 62MP2250	2.250 (57,1)	.250 (6,3)	2.422 (61,5)	.750 (19,0)	.092 (2,33)
**** 62MP2500	2.500 (63,5)	.250 (6,3)	2.775 (70,5)	.750 (19,0)	.062 (1,57)
**** 62MP3000	3.000 (76,2)	.250 (6,3)	3.171 (80,5)	.720 (18,2)	.065 (1,65)
**** 62MP3375	3.375 (85,7)	.250 (6,3)	3.656 (92,8)	.725 (18,4)	.070 (1,77)
**** 62MP3500	3.500 (88,9)	.250 (6,3)	3.660 (92,9)	.750 (19,0)	.093 (2,36)
**** 62MP4000	4.000 (101,6)	.250 (6,3)	4.156 (105,5)	.765 (19,4)	.125 (3,17)

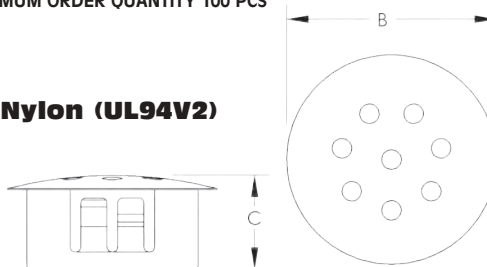


*MINIMUM ORDER QUANTITY 1,000 PCS **MINIMUM ORDER QUANTITY 500 PCS
 MINIMUM ORDER QUANTITY 250 PCS *MINIMUM ORDER QUANTITY 100 PCS

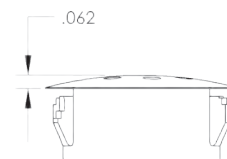
LOCKING VENT PLUGS

Molded in **Black Heat Stabilized Nylon (UL94V2)**

LOCKING VENT PLUGS ARE AVAILABLE
 3/4" to 7/8" AND 1" DIAMETERS.



ITEM NUMBER	HOLE DIAMETER	MAXIMUM THICKNESS	HEAD DIAMETER B	THICKNESS C
* 62MP0750V	.750 (19,1)	.125 (3,2)	.906 (23,0)	.406 (10,3)
* 62MP0875V	.875 (22,5)	.125 (3,2)	1.016 (25,8)	.453 (11,5)
** 62MP1000V	1.000 (25,5)	.125 (3,2)	1.215 (30,8)	.453 (11,5)



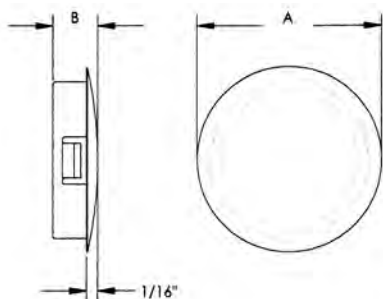
PANEL FASTENERS AND HOLE PLUGS

SECTION
VI

MINIATURE LOCKING HOLE PLUGS

Molded in **Black Heat Stabilized Nylon (UL94V2)**

Nylon Miniature Locking Hole Plugs are available in sizes from 3/16" to 7/8". Designed with multiple locks to positively snap in panel thickness of 1/16". Locking Hole Plugs are used to close excess chassis holes, wiring outlets, and production access holes.



- ALL ITEMS ARE PACKAGED 1,000 PIECES PER BAG
- WHITE PARTS ADD "W" TO THE END OF PART NUMBER

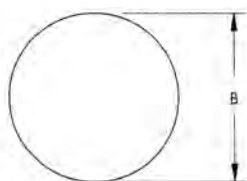


ITEM NUMBER	DESCRIPTION	HOLE DIAMETER	A	B
62MPS0187	3/16" Miniature Locking Hole Plug	0.187 (4,75)	0.250 (6,35)	0.234 (5,94)
62MPS0312	5/16" Miniature Locking Hole Plug	0.312 (7,93)	0.375 (9,53)	0.234 (5,94)
62MPS0343	11/32" Miniature Locking Hole Plug	0.343 (8,71)	0.410 (10,41)	0.250 (6,35)
62MPS0375	3/8" Miniature Locking Hole Plug	0.375 (9,53)	0.468 (11,89)	0.250 (6,35)
62MPS0500	1/2" Miniature Locking Hole Plug	0.500 (12,7)	0.578 (14,7)	0.250 (6,35)
62MPS0625	5/8" Miniature Locking Hole Plug	0.625 (15,9)	0.718 (18,2)	0.250 (6,35)
62MPS0750	3/4" Miniature Locking Hole Plug	0.750 (19,1)	0.922 (23,4)	0.250 (6,35)
62MPS0875	7/8" Miniature Locking Hole Plug	0.875 (22,2)	1.016 (25,8)	0.250 (6,35)

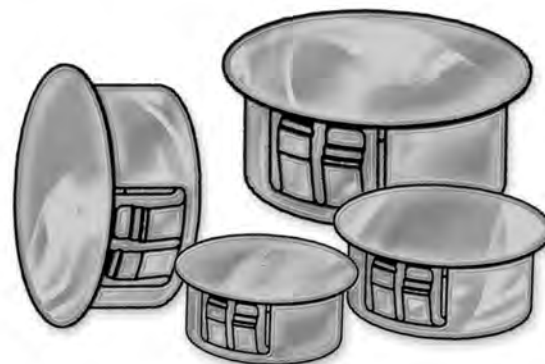
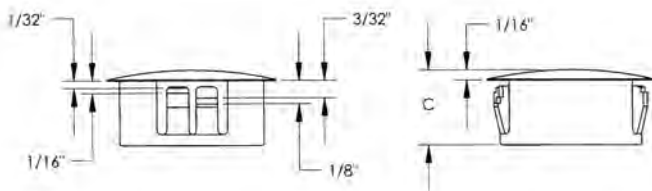
KNOCK OUT PLUGS

Molded in **GREY HEAT STABILIZED Nylon**

Knock out plugs are molded in Grey Nylon to blend in with galvanized steel. Economical plugs that lock firmly into 5 trade size holes with panel thickness up to 1/8". Installs with fingertip pressure - no tools required.



- * MINIMUM ORDER QUANTITY 1,000 PIECES
- ** MINIMUM ORDER QUANTITY 500 PIECES
- *** MINIMUM ORDER QUANTITY 250 PIECES



ITEM NUMBER	DESCRIPTION	MAXIMUM HOLE DIA.	MAX PANEL THICKNESS	DIAMETER B	THICKNESS C
* 62MP0875KOP	7/8" Knock Out Plug	0.875 (22,2)	0.125 (3,18)	1.016 (25,8)	.453 (11,5)
** 62MP1093KOP	1 1/8" Knock Out Plug	1.093 (27,8)	0.125 (3,18)	1.222 (31,0)	.453 (11,5)
** 62MP1375KOP	1 3/8" Knock Out Plug	1.375 (34,9)	0.125 (3,18)	1.500 (38,1)	.453 (11,5)
*** 62MP1500KOP	1 1/2" Knock Out Plug	1.500 (38,1)	0.125 (3,18)	1.692 (42,4)	.453 (11,5)
*** 62MP1750KOP	1 3/4" Knock Out Plug	1.750 (44,5)	0.125 (3,18)	1.935 (49,1)	.453 (11,5)
*** 62MP2000KOP	2" Knock Out Plug	2.000 (50,8)	0.125 (3,18)	2.140 (54,4)	.453 (11,5)

PANEL FASTENERS AND HOLE PLUGS

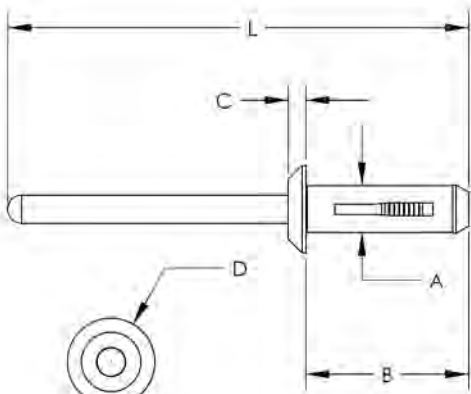
SECTION VI

BLIND RIVETS

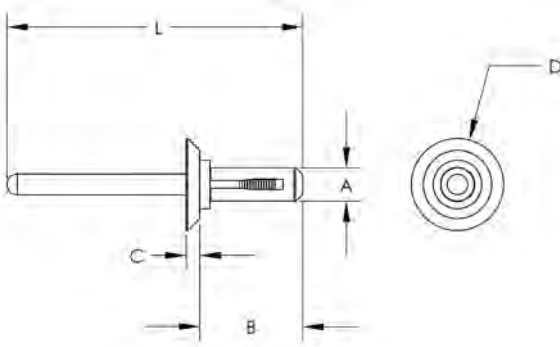
BODY Molded in **Black Impact Modified Nylon 6/6**
PIN Molded in **Black Acetal**

The Blind Rivet is a precision molded all plastic rivet used to fasten plastic to plastic, plastics to metal and plastic to fiberglass. Rivets are non-conductive and non-corrosive.

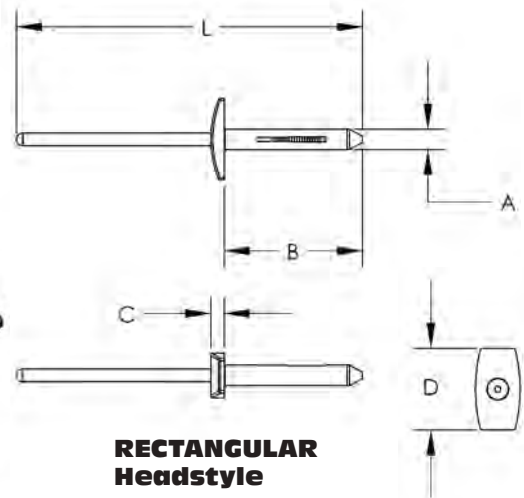
The body of the rivet is molded in Impact Modified Nylon and the Pin is molded in Acetal. The three leg design securely locks the panels in place and prevents pullout. The rivet inserts from either side of the assembly using standard rivet setting tools. As the pin is pulled through the body it draws the panels together. When set the pin breaks off even with the head leaving an attractive finished look.



TRUSS Headstyle



FLAT Headstyle



RECTANGULAR Headstyle

ITEM NUMBER	A	B	C	D	L	HOLE SIZE	GRIP RANGE	HEAD STYLE
61BR197118157	.187 (4,75)	.652 (16,56)	.071 (1,80)	.350 (8,89)	1.845 (46,86)	.218 (5,54)	.118-.158 (2,99-4,01)	Truss
61BR197118177	.191 (4,85)	.792 (20,11)	.071 (1,80)	.472 (11,98)	1.892 (48,05)	.187 (4,74)	.118-.236 (2,99-5,99)	Truss
61BR197118236	.191 (4,85)	.789 (20,04)	.071 (1,80)	.472 (11,98)	1.881 (47,77)	.218 (5,53)	.118-.236 (2,99-5,99)	Truss
61BR197236394	.191 (4,85)	.984 (24,99)	.071 (1,80)	.472 (11,98)	2.004 (50,90)	.197 (5,00)	.236-.394 (5,99-10,00)	Truss
61BR197059177	.191 (4,85)	.614 (15,59)	.129 (3,27)	.468 (11,88)	1.881 (47,77)	.218 (5,53)	.059-.177 (1,49-4,49)	Truss
61BR236157335	.236 (5,99)	1.108 (28,14)	.098 (2,48)	.508 (12,90)	2.200 (55,88)	.250 (6,35)	.157-.335 (3,98-8,50)	Truss
61BR250098197	.258 (6,55)	.797 (20,24)	.098 (2,48)	.512 (13,00)	1.883 (47,82)	.281 (7,13)	.098-.197 (2,48-5,00)	Truss
61BR250157236	.240 (6,09)	.701 (17,80)	.097 (2,46)	.660 (16,76)	2.168 (55,06)	.250 (6,35)	.157-.236 (3,98-5,99)	Truss
61BR250157394	.240 (6,09)	1.105 (28,07)	.098 (2,48)	.665 (16,89)	2.197 (55,80)	.250 (6,35)	.157-.394 (3,99-10,01)	Truss
61BR250157394A	.240 (6,09)	1.105 (28,07)	.098 (2,48)	.508 (12,90)	2.197 (55,80)	.250 (6,35)	.157-.394 (3,99-10,01)	Truss
61BR260098197	.258 (6,55)	.797 (20,24)	.098 (2,48)	.702 (17,83)	1.883 (47,82)	.281 (7,13)	.098-.197 (2,48-5,00)	Truss
61BR250028178	.240 (6,09)	.743 (18,87)	.097 (2,46)	.660 (16,76)	2.133 (54,17)	.250 (6,35)	.028-.178 (0,71-4,52)	Flat
61BR250028193	.240 (6,09)	.797 (20,24)	.097 (2,46)	.665 (16,89)	2.185 (55,49)	.250 (6,35)	.028-.193 (0,71-4,90)	Flat
61BR156236419	.152 (3,86)	1.025 (26,03)	.100 (2,54)	.605 (15,36)	2.567 (65,20)	.156 (3,96)	.236-.413 (5,99-10,49)	Rectangular

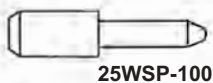
PANEL FASTENERS AND HOLE PLUGS

SECTION
VI

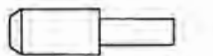
SHUTTER PINS

Molded in **TRANSLUCENT OFF WHITE Nylon 6/6**

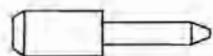
Micro Plastics' SHUTTER PINS are used in the assembly of shutters. Molded in a Nylon 6/6 translucent off white color. Nylon 6/6/ is a material which has excellent wear properties, low coefficient of friction, good chemical resistance and will not rust. Part number 25USP-100 has a split head for greater retention.



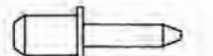
25WSP-100



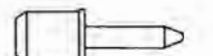
25WSP-101



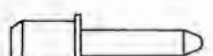
25WSP-102



25SSP-100



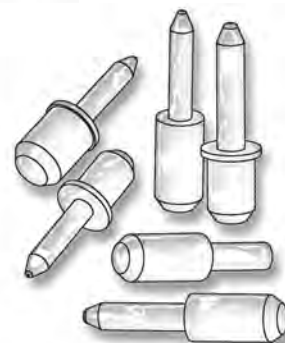
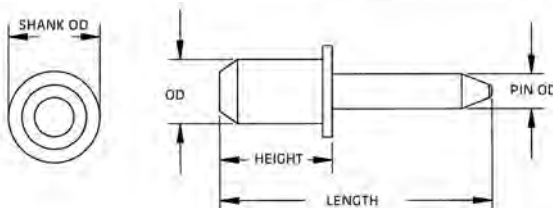
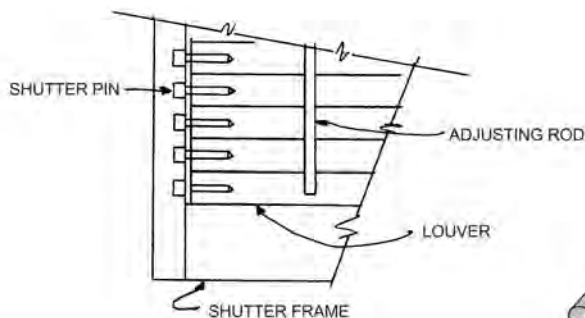
25SSP-101



25LSP-100



25USP-100



PART NUMBER	OD	PIN OD	HEIGHT	LENGTH	SHANK OD * REF
25WSP-100	.243 (6,17)	.140 (3,56)	31/64 (12,29)	1 1/16 (26,98)	
25WSP-101	.243 (6,17)	.140 (3,56)	31/64 (12,29)	7/8 (22,23)	
25WSP-102	.243 (6,17)	.117 (2,97)	31/64 (12,29)	1 1/16 (26,98)	
25SSP-100	.215 (5,46)	.117 (2,97)	3/8 (9,53)	29/32 (23,01)	19/64 (7,5)
25SSP-101	.280 (7,11)	.117 (2,97)	3/8 (9,53)	29/32 (23,01)	19/64 (7,5)
25LSP-100	.240 (6,10)	.140 (3,56)	3/8 (9,53)	1 1/32 (26,19)	19/64 (7,5)
25USP-100	.245 (6,22)	.120 (3,05)	13/32 (10,32)	55/64 (21,83)	5/16 (7,9)

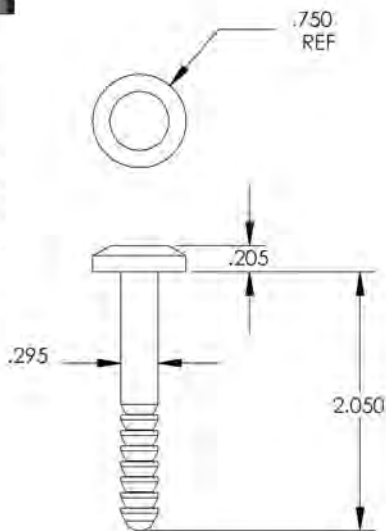
SIGN FASTENER SYSTEM

Molded in **WHITE IMPACT MODIFIED Nylon 6/6**



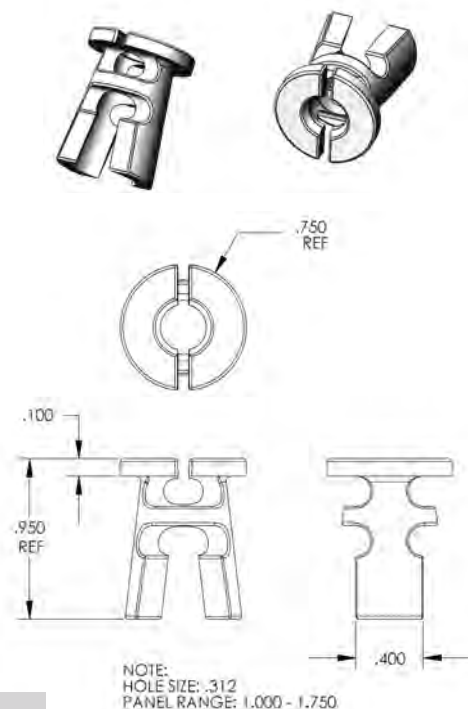
PIN

PART NUMBER
27RSFP001



KEEPER

PART NUMBER
27RSFK001



PANEL FASTENERS AND HOLE PLUGS

SECTION VI

Economical snap-in Poly-Plugs will close unneeded chassis holes, wiring outlets, fill unused accessory openings, cover inspection and production access holes.

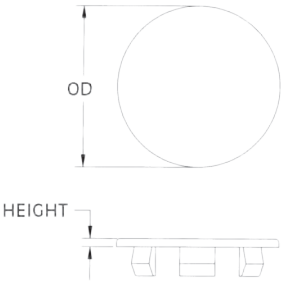
They can be used as tube end caps and protective bumpers. Poly Plugs are molded in Nylon which is abrasion and vibration resistant making them ideal for drawer glides and small appliance feet. Poly Plugs are designed with special flexible and tapered prongs which snugly lock in place with finger pressure but can be removed and reused when necessary.



HOLE PLUGS

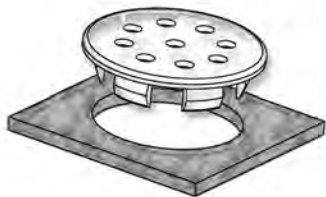
Molded in **Natural Nylon 6/6**

New SIZES

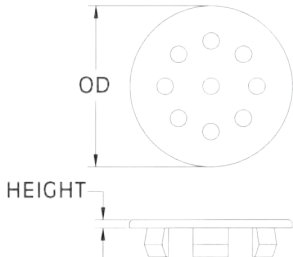


ITEM NUMBER	HEAD STYLE	FINISH	HOLE SIZE RND	PANEL THICKNESS	OD	HEIGHT
62PP018BG10	Binder	Smooth	.187 (4,75)	.031/.100 (0,79/2,54)	11/32 (8,71)	.040 (1,02)
62PP018BG14	Binder	Smooth	.187 (4,75)	.031/.140 (0,79/3,56)	11/32 (8,71)	.040 (1,02)
62PP018BM08	Binder	Matte	.187 (4,75)	.031/.050 (0,78/1,27)	.344 (8,73)	.040 (1,02)
62PP018BM14	Binder	Matte	.187 (4,75)	.031/.140 (0,79/3,56)	11/32 (8,71)	.040 (1,02)
62PP022RG06	Dome	Smooth	.218 (5,54)	.031/.062 (0,79/1,58)	3/8 (9,53)	.250 (6,35)
62PP022RG09	Dome	Smooth	.218 (5,54)	.031/.094 (0,79/2,39)	3/8 (9,53)	.250 (6,35)
62PP025BG06	Binder	Smooth	.250 (6,35)	.031/.062 (0,79/1,58)	27/64 (10,72)	.040 (1,02)
62PP025BM06	Binder	Matte	.250 (6,35)	.031/.062 (0,79/1,58)	27/64 (10,72)	.040 (1,02)
62PP031BG14	Binder	Smooth	.312 (7,93)	.031/.140 (0,79/3,56)	29/64 (11,51)	.055 (1,40)
62PP031BM14	Binder	Matte	.312 (7,93)	.031/.140 (0,79/3,56)	29/64 (11,51)	.055 (1,40)
62PP031BM15	Binder	Matte	.315 (8,00)	.047/.156 (1,19/3,96)	1/2 (12,7)	.080 (2,03)
62PP012BG09	Binder	Smooth	.125 (3,18)	.031/.094 (0,79/2,39)	13/64 (5,16)	.040 (1,02)
62PP015BG09	Binder	Smooth	.150 (3,81)	.031/.094 (0,79/2,39)	1/4 (6,35)	.040 (1,02)
62PP037BG14	Binder	Smooth	.375 (9,53)	.031/.140 (0,79/3,56)	43/64 (17,07)	.062 (1,58)
62PP037BG31	Binder	Smooth	.375 (9,53)	.031/.140 (0,79/3,56)	37/64 (14,68)	.055 (1,40)
62PP037BM31	Binder	Matte	.375 (9,53)	.031/.140 (0,79/3,56)	37/64 (14,68)	.055 (1,40)
62PP043BG17	Binder	Smooth	.437(11,10)	.031/.171 (0,79/4,34)	39/64 (15,47)	.055 (1,40)
62PP043BM17	Binder	Matte	.437(11,10)	.031/.171 (0,79/4,34)	39/64 (15,47)	.055 (1,40)
62PP048BM12	Binder	Matte	.480(12,19)	.031/.039 (0,79/0,99)	37/64 (14,68)	.055 (1,40)
62PP050BG14	Binder	Smooth	.500(12,70)	.031/.140 (0,79/3,56)	43/64 (17,07)	.062 (1,58)
62PP050BM14	Binder	Matte	.500(12,70)	.031/.140 (0,79/3,56)	43/64 (17,07)	.062 (1,58)
62PP056BG14	Binder	Smooth	.562(14,28)	.031/.140 (0,79/3,56)	47/64 (18,64)	.062 (1,58)
62PP056BM14	Binder	Matte	.562(14,28)	.031/.140 (0,79/3,56)	47/64 (18,64)	.062 (1,58)
62PP062BG07	Binder	Smooth	.625(15,88)	.031/.072 (0,79/1,83)	51/64 (20,24)	.062 (1,58)
62PP062BM07	Binder	Matte	.625(15,88)	.031/.072 (0,79/1,83)	51/64 (20,24)	.062 (1,58)
62PP068BG10	Binder	Smooth	.687(17,45)	.031/.109 (0,79/2,77)	57/64 (22,63)	.062 (1,58)
62PP068BM10	Binder	Matte	.687(17,45)	.031/.109 (0,79/2,77)	57/64 (22,63)	.062 (1,58)
62PP075BG11	Binder	Smooth	.750(19,05)	.031/.109 (0,79/2,77)	63/64 (25,00)	.062 (1,58)
62PP075BM11	Binder	Matte	.750(19,05)	.031/.109 (0,79/2,77)	63/64 (25,00)	.062 (1,58)
62PP078BG09	Binder	Smooth	.787(20,00)	.059/.080 (1,50/2,03)	63/64 (25,00)	.062 (1,58)
62PP078BM09	Binder	Matte	.787(20,00)	.059/.080 (1,50/2,03)	63/64 (25,00)	.062 (1,58)
62PP081BG11	Binder	Smooth	.812(20,63)	.031/.109 (0,79/2,77)	1 1/32 (26,19)	.062 (1,58)
62PP081BM11	Binder	Matte	.812(20,63)	.031/.109 (0,79/2,77)	1 1/32 (26,19)	.062 (1,58)
62PP087BG11	Binder	Smooth	.875(22,23)	.031/.109 (0,79/2,77)	1 5/64 (27,38)	.062 (1,58)
62PP087BM11	Binder	Matte	.875(22,23)	.031/.109 (0,79/2,77)	1 5/64 (27,38)	.062 (1,58)
62PP100BG11	Binder	Smooth	1.000(25,40)	.031/.109 (0,79/2,77)	1 7/32 (30,96)	.062 (1,58)
62PP100BM11	Binder	Matte	1.000(25,40)	.031/.109 (0,79/2,77)	1 7/32 (30,96)	.062 (1,58)

METRIC Sizes Also Available
Page 282



VENT PLUGS



ITEM NUMBER	HEAD STYLE	FINISH	HOLE SIZE RND	PANEL THICKNESS	OD	HEIGHT
62VP087BM11	Binder	Matte	.875(22,23)	.031/.109 (0,79/2,77)	1 5/64 (27,38)	.062 (1,58)
62VP100BM11	Binder	Matte	1.000(25,40)	.031/.109 (0,79/2,77)	1 7/32 (30,96)	.062 (1,58)

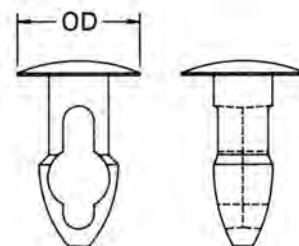
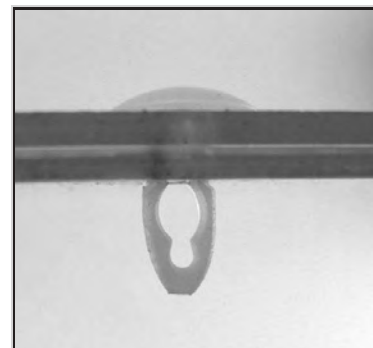
PANEL FASTENERS AND HOLE PLUGS

SECTION
VI

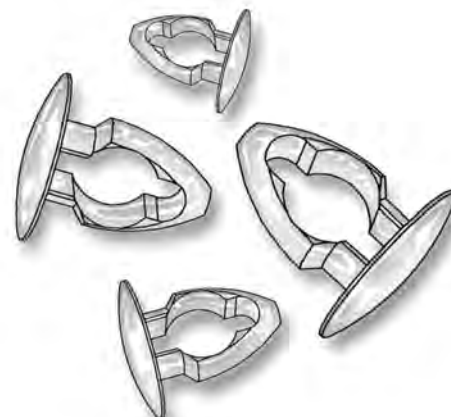
KEY-HOLE CLIPS

Molded in **Natural Nylon 6/6**

PART NUMBER	OD	HOLE SIZE RND	PANEL THICKNESS
27KY1250093	1/4" (6,35)	.125 (3,18)	.093 (2,36)
27KY1250125	1/4" (6,35)	.125 (3,18)	.125 (3,18)
27KY1250156	1/4" (6,35)	.125 (3,18)	.156 (3,96)
27KY1250187	1/4" (6,35)	.125 (3,18)	.188 (4,78)
27KY1250219	1/4" (6,35)	.125 (3,18)	.219 (5,56)
27KY1250250	1/4" (6,35)	.125 (3,18)	.250 (6,35)
27KY1560062	5/16" (7,94)	.156 (3,96)	.062 (1,57)
27KY1560093	5/16" (7,94)	.156 (3,96)	.093 (2,36)
27KY1560125	5/16" (7,94)	.156 (3,96)	.125 (3,18)
27KY1560156	5/16" (7,94)	.156 (3,96)	.156 (3,96)
27KY1560187	5/16" (7,94)	.156 (3,96)	.187 (4,75)
27KY1560218	5/16" (7,94)	.156 (3,96)	.218 (5,54)
27KY1560250	5/16" (7,94)	.156 (3,96)	.250 (6,35)
27KY1560281	5/16" (7,94)	.156 (3,96)	.281 (7,14)
27KY1560312	5/16" (7,94)	.156 (3,96)	.312 (7,92)
27KY1560343	5/16" (7,94)	.156 (3,96)	.343 (8,71)
27KY1560375	5/16" (7,94)	.156 (3,96)	.375 (9,53)
27KY1870093	5/16" (7,94)	.187 (4,75)	.093 (2,36)
27KY1870125	5/16" (7,94)	.187 (4,75)	.125 (3,18)
27KY1870156	5/16" (7,94)	.187 (4,75)	.156 (3,96)
27KY1870187	5/16" (7,94)	.187 (4,75)	.187 (4,75)
27KY1870219	5/16" (7,94)	.187 (4,75)	.219 (5,56)
27KY1870250	5/16" (7,94)	.187 (4,75)	.250 (6,35)
27KY18702507	15/32" (11,89)	.187 (4,75)	.250 (6,35)
27KY1870281	5/16" (7,94)	.187 (4,75)	.281 (7,14)
27KY1870312	5/16" (7,94)	.187 (4,75)	.312 (7,92)
27KY1870343	5/16" (7,94)	.187 (4,75)	.344 (8,74)
27KY1870375	5/16" (7,94)	.187 (4,75)	.375 (9,53)
27KY2190093	11/32" (8,73)	.219 (5,56)	.093 (2,36)
27KY2190343	11/32" (8,74)	.219 (5,56)	.343 (8,71)
27KY2190375	11/32" (8,74)	.219 (5,56)	.375 (9,53)
27KY2190125	11/32" (8,73)	.219 (5,56)	.125 (3,18)
27KY2190156	11/32" (8,73)	.219 (5,56)	.156 (3,96)
27KY2190187	11/32" (8,73)	.219 (5,56)	.187 (4,78)
27KY2190219	11/32" (8,73)	.219 (5,56)	.219 (5,56)
27KY2190250	11/32" (8,73)	.219 (5,56)	.250 (6,35)
27KY2190281	11/32" (8,73)	.219 (5,56)	.281 (7,14)
27KY2190312	11/32" (8,73)	.219 (5,56)	.312 (7,92)
27KY2500093	1/2" (12,70)	.250 (6,35)	.093 (2,36)
27KY2500125	1/2" (12,70)	.250 (6,35)	.125 (3,18)
27KY2500156	1/2" (12,70)	.250 (6,35)	.156 (3,96)
27KY2500187	1/2" (12,70)	.250 (6,35)	.187 (4,75)
27KY2500219	1/2" (12,70)	.250 (6,35)	.219 (5,56)
27KY2500250	1/2" (12,70)	.250 (6,35)	.250 (6,35)
27KY2500281	1/2" (12,70)	.250 (6,35)	.281 (7,14)
27KY2500312	1/2" (12,70)	.250 (6,35)	.312 (7,92)
27KY2500343	1/2" (12,70)	.250 (6,35)	.343 (8,71)
27KY2500375	1/2" (12,70)	.250 (6,35)	.375 (9,53)
27KY2500406	1/2" (12,70)	.250 (6,35)	.406 (10,31)
27KY2500437	1/2" (12,70)	.250 (6,35)	.437 (11,10)
27KY2500468	1/2" (12,70)	.250 (6,35)	.468 (11,89)
27KY2500500	1/2" (12,70)	.250 (6,35)	.500 (12,70)
27KY2810406	.500 (12,70)	.281 (7,14)	.406 (10,31)



This panel fastener incorporates a new design. The key-hole shaped interior allows the part to collapse more completely for easy assembly with finger pressure. Tapered, bullet-style point slides into hole easily. Angled panel lock section takes up slack in panels to provide for a tight assembly. The design allows for a relatively large clip diameter to hole size ratio, resulting in higher retention force. Parts can be tooled for a large variety of hole and panel variations.



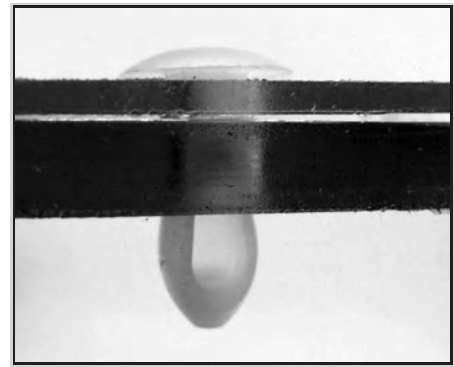
PANEL FASTENERS AND HOLE PLUGS

SECTION VI

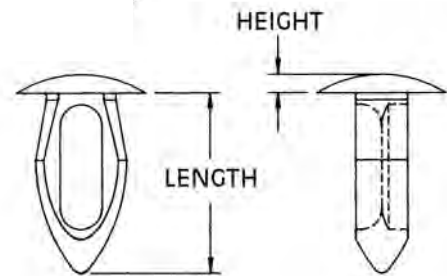
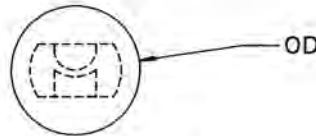
ARROW CLIPS

Molded in **Natural Nylon 6/6**

Micro Plastics' Arrow Clips are reusable, molded nylon fasteners that feature an inexpensive fast method to hand assemble metal, wood, plastic, composition or other thin-gauge materials. The specially designed body compresses as it is forced through a prepunched hole and springs back to its original shape to lock the assembled parts securely. The versatile clips can be disassembled and reused again and again. They provide an economical, electrical insulating, vibration, abrasion, and corrosion resistant connection. The following are some of the more common sizes. Because of Micro Plastics' unique tooling approach, designs can be varied over a wide range. Request the size you need.



PNEUMATIC POWER TOOLS ARE AVAILABLE FOR VOLUME USERS



PART NUMBER	DESCRIPTION	HOLE SIZE RND	PANEL THK. RANGE	OD	HEIGHT	LENGTH
27AC0001	AC 1	.182/.192 (4,62/4,88)	.062/.125 (1,57/3,18)	.360 (9,14)	.060 (1,52)	.400 (10,16)
27AC0002	AC 2	.131/.135 (3,33/3,43)	.062/.125 (1,57/3,18)	.270 (6,85)	.060 (1,52)	.395 (10,03)
27AC0003	AC 3	.151/.161 (3,84/4,09)	.062/.125 (1,57/3,18)	.280 (7,11)	.040 (1,02)	.390 (9,91)
27AC0004	AC 4	.151/.161 (3,84/4,09)	.062/.145 (1,57/3,68)	.280 (7,11)	.080 (2,03)	.400 (10,16)
27AC0005	AC 5	.213/.223 (5,41/5,66)	.125/.187 (3,18/4,75)	.370 (9,40)	.060 (1,52)	.540 (13,72)
27AC0006	AC 6	.182/.192 (4,62/4,88)	.310/.330 (7,87/8,38)	.370 (9,40)	.060 (1,52)	.540 (13,72)
27AC0007	AC 7	.213/.223 (5,41/5,66)	.062/.125 (1,57/3,18)	.370 (9,40)	.060 (1,52)	.450 (11,43)
27AC0009	AC 9	.250/.260 (6,39/6,60)	.125/.187 (3,18/4,75)	.484 (12,29)	.060 (1,52)	.575 (14,61)
27AC0010	AC 10	.062/.065 (1,57/1,65)	.010/.031 (0,25/0,79)	.100 (2,54)	.020 (0,51)	.125 (3,18)
27AC0011	AC 11	.182/.192 (4,62/4,88)	.165/.185 (4,19/4,70)	.375 (9,53)	.060 (1,52)	.525 (13,33)
27AC0012	AC 12	.195/.200 (4,95/5,08)	.035/.065 (0,89/1,65)	.370 (9,40)	.056 (1,42)	.350 (8,89)
27AC0013	AC 13	.130/.132 (3,30/3,35)	.125/.140 (3,18/3,56)	.270 (6,85)	.070 (1,77)	.310 (7,87)
27AC0014	AC 14	.145/.150 (3,68/3,71)	.290/.300 (7,37/7,62)	.270 (6,85)	.070 (1,77)	.530 (13,46)
27AC0015	AC 15	.118/.122 (3,00/3,10)	.062/.125 (1,57/3,18)	.280 (7,11)	.060 (1,52)	.390 (9,91)
27AC0016	AC 16	.250/.260 (6,35/6,60)	.360/.380 (9,14/9,65)	.615 (15,62)	.065 (1,65)	.810 (20,57)
** 27AC0017	AC 17	.335/.340 (8,51/8,64)	.062/.340 (1,57/8,63)	.683 (17,35)	.070 (1,77)	.900 (22,86)
27AC0018	AC 18	.160/.165 (4,06/4,19)	.032/.125 (0,81/3,18)	.280 (7,11)	.080 (2,03)	.400 (10,16)
** 27AC0019	AC 19	.330/.340 (8,38/8,64)	.125/.350 (3,18/8,88)	.685 (17,45)	.070 (1,77)	.895 (22,74)
27AC0020	AC 20	.120/.135 (3,02/3,43)	.062/.125 (1,58/3,18)	.270 (6,85)	.040 (1,01)	.330 (8,38)
** 27AC0021	AC 21	.250/.260 (6,35/6,57)	.125/.250 (3,18/6,35)	.500 (12,70)	.050 (1,27)	.630 (16,0)
27AC0022	AC 22	.085/.090 (2,16/2,29)	.032/.107 (0,81/2,72)	.125 (3,18)	.030 (0,76)	.187 (4,75)
27AC0023	AC 23	.335/.345 (8,51/8,76)	.062/.140 (1,57/3,56)	.866 (22,00)	.050 (1,27)	.450 (11,43)
27AC0024	AC 24	.250/.260 (6,25/6,60)	.500/.750 (12,7/19,1)	.610 (15,49)	.068 (1,73)	1.135 (28,83)
27AC0026	AC 26	.240/.260 (6,10/6,60)	.095/.218 (2,41/5,54)	.750 (19,05)	.055 (1,40)	.632 (16,05)
27AC0027	AC 27	.062/.065 (1,57/1,65)	.010/.031 (0,25/0,79)	.100 (2,54)	.020 (0,51)	.187 (4,75)
27AC0028*	AC 28	.192/.212 (4,88/5,38)	.062/.125 (1,57/3,17)	.375 (9,53)	.060 (1,52)	.450 (11,43)
** 27AC0029	AC 29	.330/.340 (8,38/8,64)	.125/.350 (3,18/8,89)	.475 (12,07)	.070 (1,77)	.895 (22,73)
27AC0030	AC 30	.160/.165 (4,06/4,19)	.032/.125 (8,81/3,18)	.300 (7,62)	.110 (2,79)	.400 (10,16)
27AC0031	AC 31	.182/.192 (4,62/4,88)	.200/.250 (5,08/6,35)	.270 (6,85)	.070 (1,77)	.528 (13,41)
27AC0032	AC 32	.155/.162 (3,94/4,11)	.300/.310 (7,62/7,87)	.270 (6,85)	.070 (1,77)	.535 (13,59)
27AC0033	AC 33	.182/.192 (4,62/4,88)	.165/.185 (4,19/4,70)	.472 (11,99)	.060 (1,52)	.525 (13,34)
27AC0034	AC 34	.147 (3,73)	.220/.240 (5,58/6,09)	.270 (6,85)	.070 (1,77)	.414 (10,51)

* PART HAS NO WEBBING ** FLAT HEADSYTLE

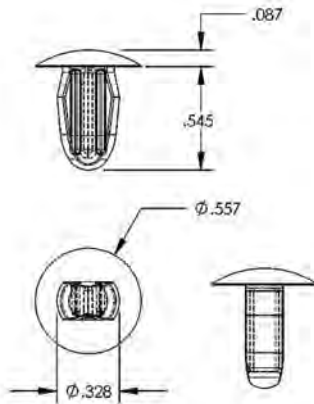
PANEL FASTENERS AND HOLE PLUGS

SECTION
VI

"SPECIAL ITEMS" ARROW CLIPS

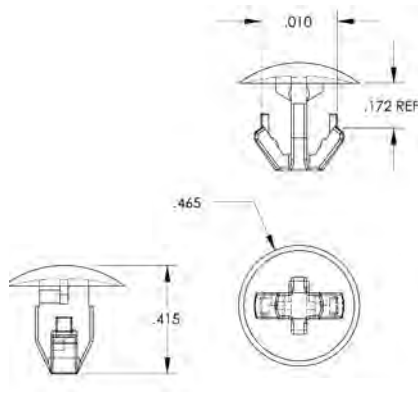
Molded in **Natural Nylon 6/6**

Special Item Arrow Clips are designed to provide unique fasteners for assembly applications where larger panel thicknesses and or mounting diameters combined with increased fastening strength is required.



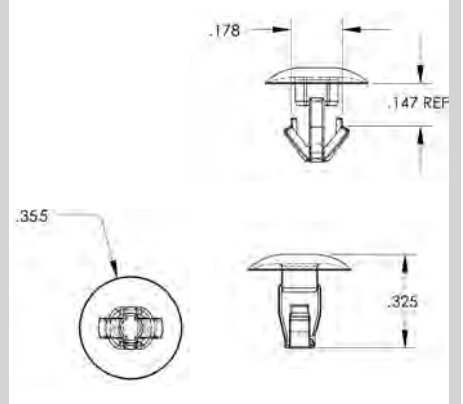
Hole Size .312 (7,92)
Panel Thickness .062/.125 (1,57/3,17)

PART NUMBER 401048



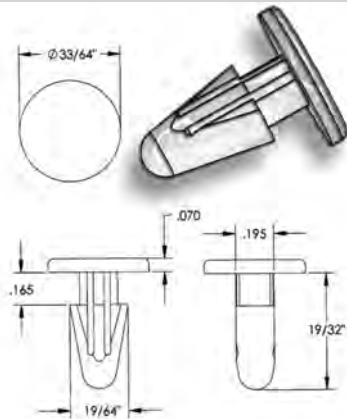
Hole Size .250 (6,35)
Panel Thickness .172 (4,36)

PART NUMBER 401044



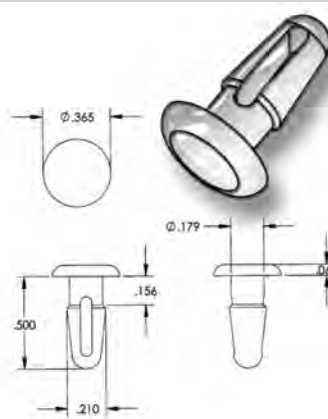
Hole Size .156 (3,96)
Panel Thickness .147 (3,73)

PART NUMBER 401045



Hole Size .250 (6,35)
Panel Thickness .156 (3,96)

PART NUMBER 401010



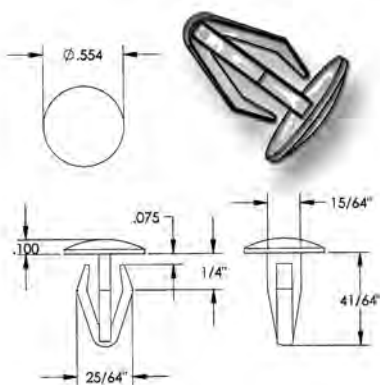
Hole Size .190 (4,82)
Panel Thickness .156 (3,96)

PART NUMBER 401011



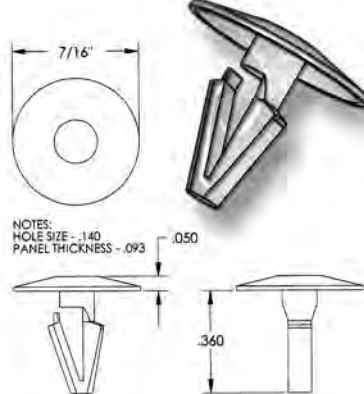
Hole Size .285 (7,23)
Panel Thickness .125 (3,17)

PART NUMBER 401014



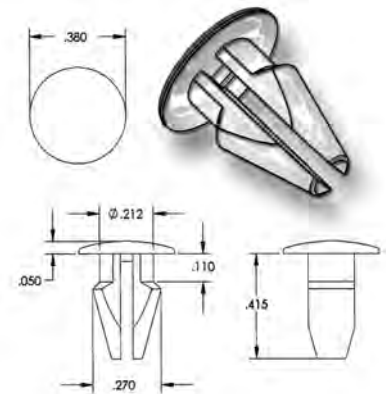
Hole Size .312 (7,92)
Panel Thickness .219 (5,56)

PART NUMBER 401006



Hole Size .140 (3,55)
Panel Thickness .093 (2,36)

PART NUMBER 401032



Hole Size .250 (6,35)
Panel Thickness .125 (3,17)

PART NUMBER 401033

PANEL FASTENERS AND HOLE PLUGS

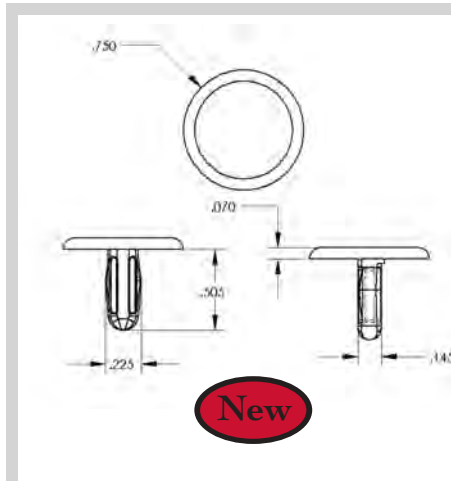
SECTION VI

"SPECIAL ITEMS" ARROW CLIPS

Molded in Natural Nylon 6/6
part numbers 401020 & 401035 molded Black.

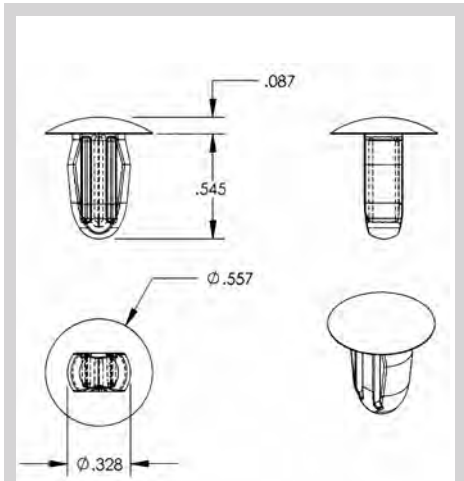
Micro Plastics' Special Item Arrow Clips are designed to provide unique fasteners for assembly applications where larger panel thicknesses and or mounting diameters combined with increased fastening strength is required.

Molded from UL 94V-2 Nylon 6/6 for corrosion, abrasion and vibration resistance.

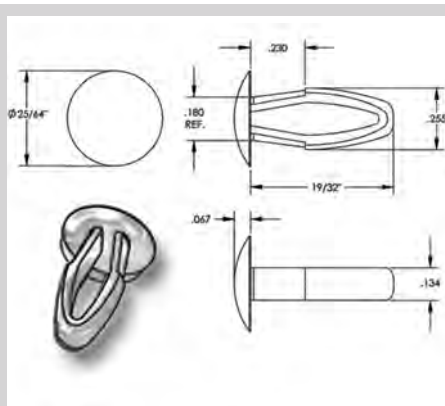


New

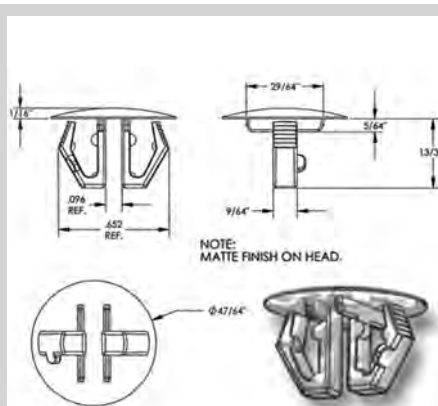
PART NUMBER 401050



PART NUMBER 401048

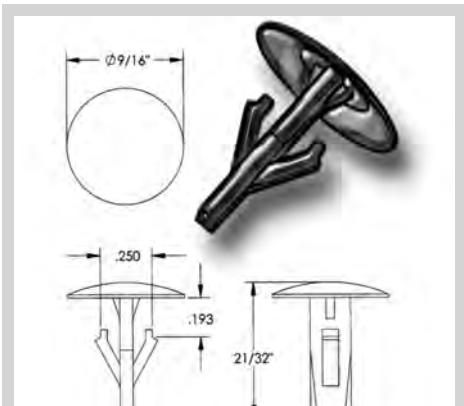


PART NUMBER 401031



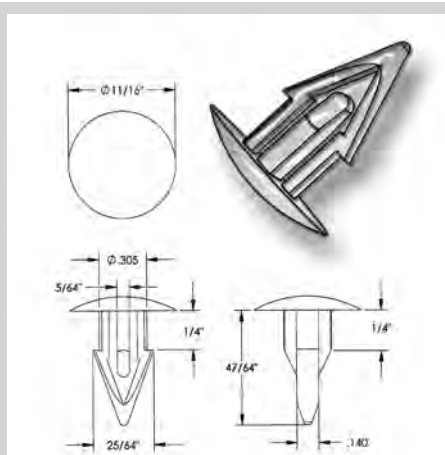
Molded Black
UL 94V-2

PART NUMBER 401035

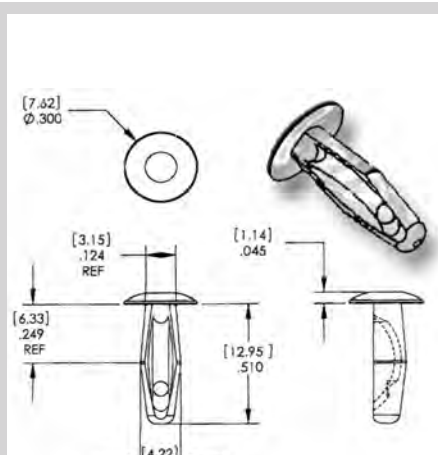


Molded Black
UL 94V-2

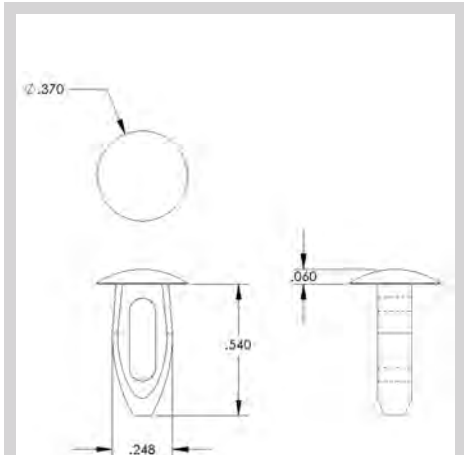
PART NUMBER 401020



PART NUMBER 401015



PART NUMBER 401043



PART NUMBER 401049

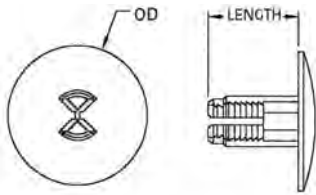
PANEL FASTENERS AND HOLE PLUGS

SECTION
VI

RATCHETING ACTION RIVETS

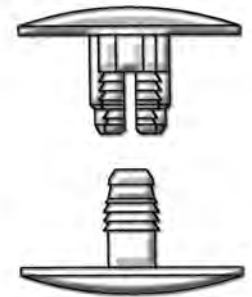
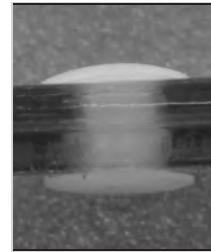
Molded in **Natural Nylon 6/6**

Ratcheting action rivets feature a rigid design which provides an outstanding bond created by the action of the interlocking gripper teeth. With the larger head diameter, Ratcheting action rivets make binding of soft materials a simple application.



**New
SIZES**

- RATCHETING ACTION RIVETS ARE MOLDED IN NYLON 6/6 AND AVAILABLE IN BLACK OR NATURAL.
- PLEASE ADD A COLOR CODE TO THE END OF EACH PART NUMBER IDENTIFYING YOUR COLOR CHOICE.
- CODE **B** = BLACK CODE **N** = NATURAL
- COMPLETE ASSEMBLY REQUIRES TWO PARTS. THEY SNAP INTO EACH OTHER, HOLDING FLAT PANELS TOGETHER.

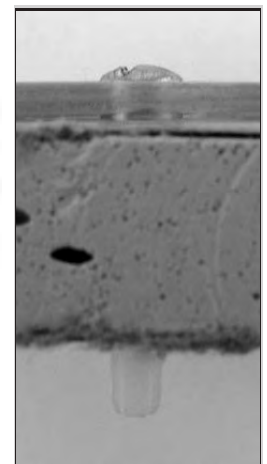
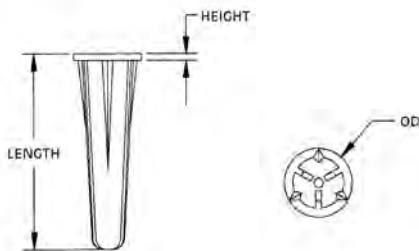


ITEM NUMBER	*REF. DIM. OD	*REF. DIM LENGTH	HOLE SIZE RND	PANEL THICKNESS
27QB375250	3/8" (9,53)	7/32" (5,5)	1/4" (6,35)	.235/.297 (5,97/7,54)
27QB375375	3/8" (9,53)	11/32" (8,73)	1/4" (6,35)	.346/.500 (8,79/12,70)
27QB375750	3/8" (9,53)	1/2" (12,70)	1/4" (6,35)	.500/.812 (12,70/20,62)
27QB371000	3/8" (9,53)	3/4" (19,05)	1/4" (6,35)	.780/1.375 (19,81/34,93)
27QB400250	.406 (10,31)	7/32" (5,5)	9/32" (7,14)	.235/.297 (5,97/7,54)
27QB400375	.406 (10,31)	11/32" (8,73)	9/32" (7,14)	.346/.500 (8,79/12,70)
27QB400750	.406 (10,31)	1/2" (12,70)	9/32" (7,14)	.500/.812 (12,70/20,62)
27QB401000	.406 (10,31)	3/4" (19,05)	9/32" (7,14)	.780/1.375 (19,81/34,93)
27QB625250	5/8" (15,88)	7/32" (5,5)	1/4" (6,35)	.235/.297 (5,97/7,54)
27QB625375	5/8" (15,88)	11/32" (8,73)	1/4" (6,35)	.346/.500 (8,79/12,70)
27QB625750	5/8" (15,88)	1/2" (12,70)	1/4" (6,35)	.500/.812 (12,70/20,62)
27QB621000	5/8" (15,88)	3/4" (19,05)	1/4" (6,35)	.780/1.375 (19,81/34,93)
27QB700250	3/4" (19,05)	7/32" (5,5)	9/32" (7,14)	.235/.297 (5,97/7,54)
27QB700375A	1" (25,40)	.343 (8,71)	.281 (7,13)	.346/.500 (8,78/12,70)
27QB700375	3/4" (19,05)	11/32" (8,73)	9/32" (7,14)	.346/.500 (8,79/12,70)
27QB700750	3/4" (19,05)	1/2" (12,70)	9/32" (7,14)	.500/.812 (12,70/20,62)
27QB701000	3/4" (19,05)	3/4" (19,05)	9/32" (7,14)	.780/1.375 (19,81/34,93)
27QB1300600	1 3/8 (34,93)	7/16 (11,10)	7/16 (11,10)	.437/1.750 (11,10/19,05)

SCREW ANCHORS

Molded in **Natural Nylon 6/6**

Multi-use, light duty Nylon Anchor for use with sheet metal or wood screws. Nylon Anchors can be used in wood, masonry block, concrete, tile, brick or sheet metal. Anchor has twist resisting flange for use in thin wall and hollow materials. Anchors can be color coded for size identification. Metal screw not included.



ITEM NUMBER	SCREW SIZE	HOLE SIZE RND	OD	HEIGHT	LENGTH
61WA210875	#6-8	3/16 (4,76)	5/16 (7,94)	.037 (0,94)	7/8 (22,22)
61WA281700	#10-12	1/4 (6,35)	3/8 (9,53)	.037 (0,94)	1-5/64 (27,38)
61WA351385	#14-16	5/16 (7,94)	7/16 (11,11)	.037 (0,94)	1 3/8 (31,93)

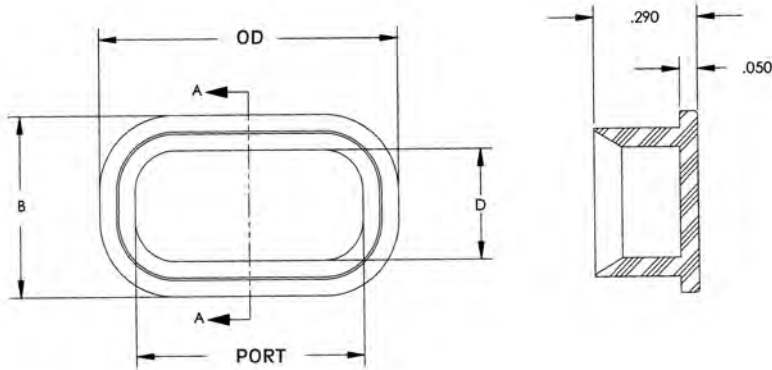
PANEL FASTENERS AND HOLE PLUGS

SECTION VI

PORT COVER

Molded in **Black Polyethylene**

Micro Plastics port covers are available in black Polyethylene. Used to cover 15 pin female or 9 pin male comm and video ports to prevent damage from foreign materials. Parts do not have to be oriented to angled side of wall of port.



Watch Instructional Video

[mms://www.microplastics.com/productvideos/PortCover.asf](https://www.microplastics.com/productvideos/PortCover.asf)

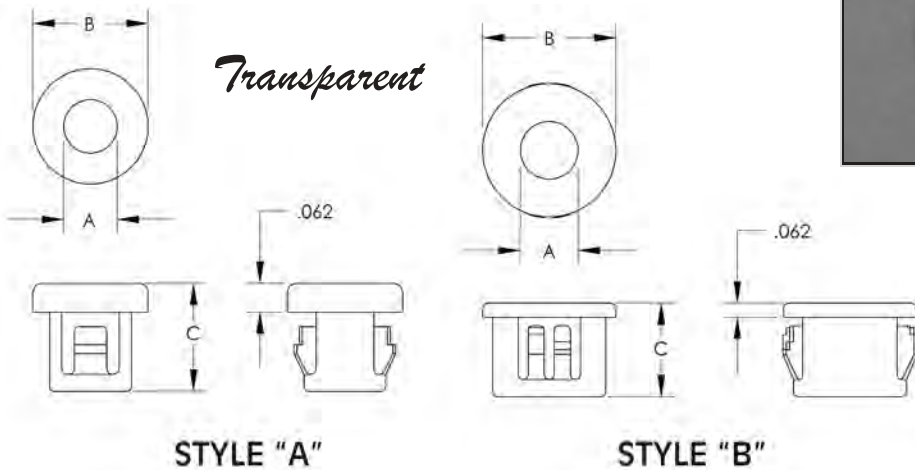
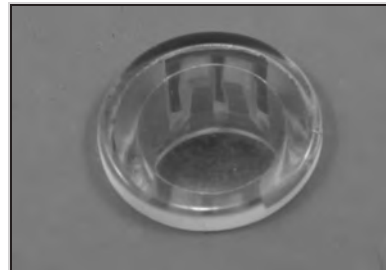


PART NUMBER	DESCRIPTION	OD	B	PORT	D
62PC0009	9 PIN <u>Male</u> Port Cover BLACK	.850 (2,16)	.550 (14,0)	.690 (17,5)	.350 (8,89)
62PC0015	15 PIN <u>Female</u> Port Cover BLACK	.825 (21,0)	.488 (12,4)	.632 (16,1)	.297 (7,54)

WINDOW PLUGS

Molded in **Clear Copolyester**

WINDOW PLUGS are molded in Clear Copolyester material. The headstyle is flat to minimize distortion. The headstyle is flat to minimize distortion.



ITEM NUMBER	DESCRIPTION	A HOLE DIAMETER RND	PANEL THICKNESS	B OD	C LENGTH	STYLE
* 62WP0187	3/16" Window Plug	.187 (4,8)	.062 (1,6)	.250 (6,4)	.234 (5,9)	A
* 62WP0250	1/4" Window Plug	.250 (6,4)	.062 (1,6)	.312 (8,0)	.312 (8,0)	A
* 62WP0312	5/16" Window Plug	.312 (8,0)	.062 (1,6)	.375 (9,5)	.312 (8,0)	A
* 62WP0375	3/8" Window Plug	.375 (9,5)	.125 (3,2)	.468 (12,0)	.406 (10,3)	B
* 62WP0437	7/16" Window Plug	.437 (11,0)	.125 (3,2)	.531 (13,5)	.406 (10,3)	B
* 62WP0500	1/2" Window Plug	.500 (12,7)	.125 (3,2)	.578 (14,6)	.406 (10,3)	B
62WP0625	5/8" Window Plug	.625 (15,9)	.125 (3,2)	.718 (18,2)	.406 (10,3)	B

* MINIMUM ORDER QUANTITY 1,000 PIECES

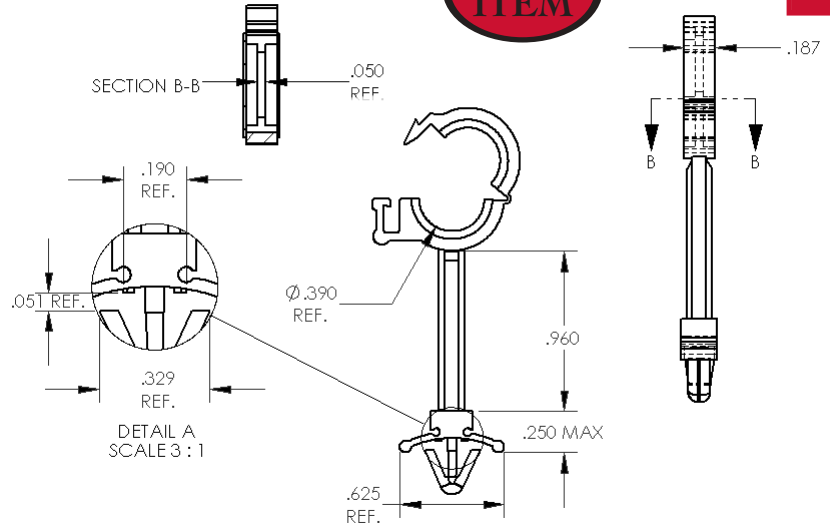
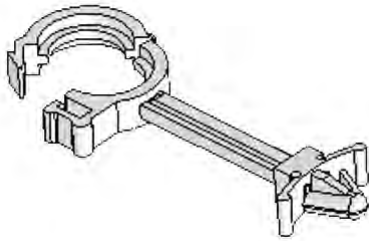
WIRE HANDLING HARDWARE

SECTION
VII

STANDOFF CLAMP

Molded in **Natural Nylon 6/6**

**New
ITEM**

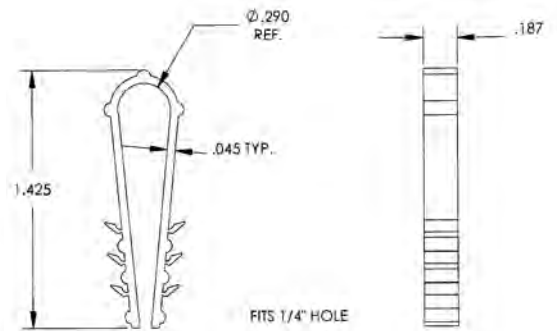
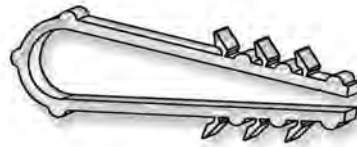


ITEM NUMBER	DESCRIPTION
22SOWC219390	STANDOFF CLAMP

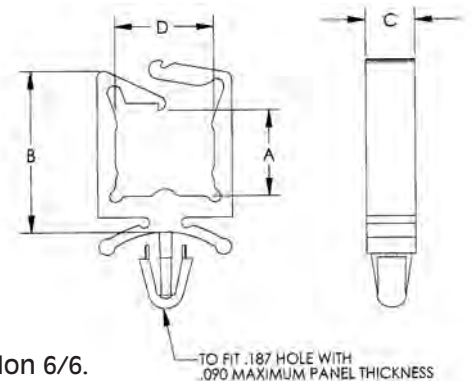
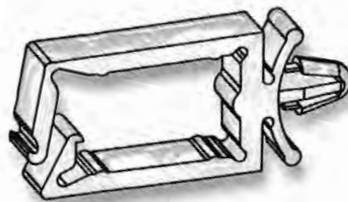
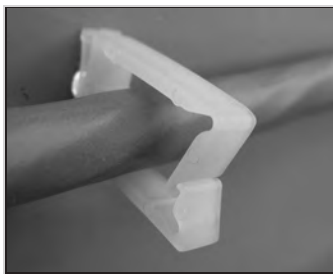
LOOP FASTENER

Molded in **Natural High Density Polyethylene**

"U" shaped blind fastener for installation of pipes or cables on a wall or ceiling. Drill 1/4" diameter hole. Slip "U" shaped fastener over wire or tube and push into drilled hole.



ITEM NUMBER	DESCRIPTION
22LF1425250	LOOP FASTENER



LOCKING WIRE/ CABLE HOLDER

Molded in **Natural Nylon 6/6**

Micro Plastics' Locking Wire and Cable Holder is molded in UL recognized Nylon 6/6. Used for routing wires and cables. Designed to fit a 3/16" diameter hole and variable panel thickness up to .090 inches. Lock is releasable by twisting open.

ITEM NUMBER	DESCRIPTION	A (REF.)	B (REF.)	C	D
22LGWH4500190	LOCKING WIRE CABLE HOLDER	.222 (5,64)	.545 (13,84)	7/32" (5,56)	7/16" (11,11)
22LGWH4500360	LOCKING WIRE CABLE HOLDER	.378 (9,60)	.711 (18,06)	7/32" (5,56)	7/16" (11,11)
22LGWH4500718	LOCKING WIRE CABLE HOLDER	.660 (16,76)	1.000 (25,40)	7/32" (5,56)	7/16" (11,11)
22LGWH450750	LOCKING WIRE CABLE HOLDER	.738 (18,75)	1.078 (27,38)	7/32" (5,56)	7/16" (11,11)
22LGWH4501062	LOCKING WIRE CABLE HOLDER	1.093 (27,76)	1.416 (35,97)	7/32" (5,56)	7/16" (11,11)

WIRE HANDLING HARDWARE

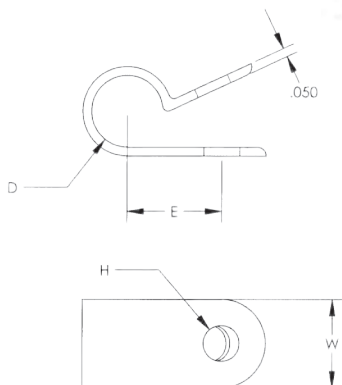
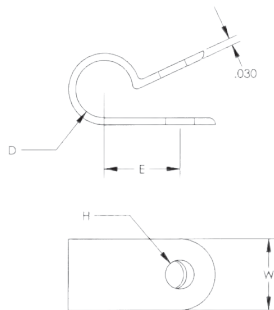
SECTION VII

Materials Available on Special Order

- Flame retardant Nylon 6/6
- 2% carbon black Nylon 6/6 (U.V. Resistant)



New SIZES



CABLE CLAMPS

Molded in **Natural Nylon 6/6**

Micro Plastics' molded nylon cable clamps secure, insulate and route cable, wiring, tubing, piping and fiber optics. These tough, durable chemical resistant nylon 6/6 cable clamps are perfect for applications in electronics, automotive, aircraft, appliance and many other industries. The **HEAVY DUTY SERIES** provides a full 1/2" wide contact area for all critical and heavy duty industrial and commercial applications, while the economical **STANDARD SERIES** has a 3/8" wide contact area and is designed for medium to lightweight applications. All contact edges have a full radius for product protection. Sizes are clearly marked on each clamp. The following are standard sizes available. Micro Plastics will tool non-standard sizes in suitable quantities.

MINIATURE

Miniature Cable Clamps are not available in 2% carbon black UV Resistant material (parts can be dyed black after molding.)

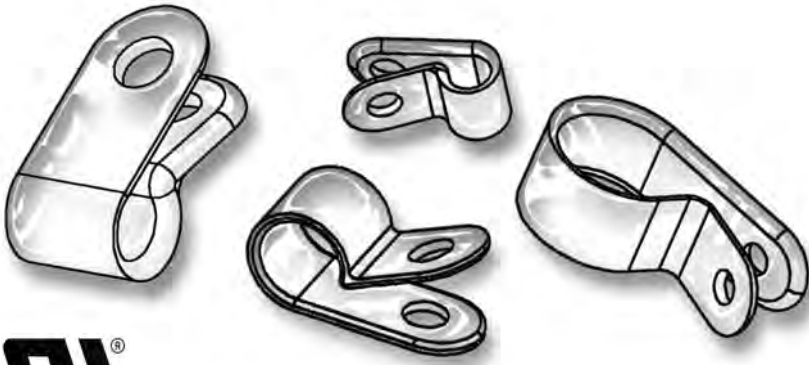
ITEM NUMBER	D REF.	W	H	E
22CC16A0062	1/16 (0,79)	5/32 (3,97)	.096 (2,44)	.187 (4,75)
22CC16A0093	3/32 (2,38)	5/32 (3,97)	.096 (2,44)	.203 (5,16)
22CC16A0125	1/8 (3,18)	5/32 (3,97)	.096 (2,44)	.217 (5,51)
22CC16A0156	5/32 (3,97)	5/32 (3,97)	.096 (2,44)	.233 (5,92)
22CC16A0187	3/16 (4,76)	5/32 (3,97)	.096 (2,44)	.250 (6,35)
22CC28E0250	1/4 (6,35)	9/32 (7,13)	.128 (3,25)	.337 (8,56)
22CC28E0312	5/16 (7,92)	9/32 (7,13)	.128 (3,25)	.360 (9,14)
22CC28E0375	3/8 (9,52)	9/32 (7,13)	.128 (3,25)	.400 (10,16)

STANDARD

ITEM NUMBER	D REF.	W	H	E
22CC37B0125	1/8 (3,18)	3/8 (9,53)	.140 (3,56)	.329 (8,36)
22CC37C0125	1/8 (3,18)	3/8 (9,53)	.167 (4,24)	.329 (8,36)
22CC37D0125	1/8 (3,18)	3/8 (9,53)	.203 (5,16)	.329 (8,36)
22CC37B0187	3/16 (4,76)	3/8 (9,53)	.140 (3,56)	.430 (10,92)
22CC37C0187	3/16 (4,76)	3/8 (9,53)	.167 (4,24)	.430 (10,92)
22CC37D0187	3/16 (4,76)	3/8 (9,53)	.203 (5,16)	.430 (10,92)
22CC37B0187E	3/16 (4,76)	3/8 (9,53)	.140 (3,56)	.378 (9,60)
22CC37C0187E	3/16 (4,76)	3/8 (9,53)	.167 (4,24)	.378 (9,60)
22CC37D0187E	3/16 (4,76)	3/8 (9,53)	.203 (5,16)	.378 (9,60)
22CC37B0250	1/4 (6,35)	3/8 (9,53)	.140 (3,56)	.410 (10,41)
22CC37C0250	1/4 (6,35)	3/8 (9,53)	.167 (4,24)	.410 (10,41)
22CC37D0250	1/4 (6,35)	3/8 (9,53)	.203 (5,16)	.410 (10,41)
22CC37B0312	5/16 (7,94)	3/8 (9,53)	.140 (3,56)	.495 (12,57)
22CC37C0312	5/16 (7,94)	3/8 (9,53)	.167 (4,24)	.495 (12,57)
22CC37D0312	5/16 (7,94)	3/8 (9,53)	.203 (5,16)	.495 (12,57)
22CC37B0375	3/8 (9,53)	3/8 (9,53)	.140 (3,56)	.595 (15,11)
22CC37C0375	3/8 (9,53)	3/8 (9,53)	.167 (4,24)	.595 (15,11)
22CC37D0375	3/8 (9,53)	3/8 (9,53)	.203 (5,16)	.595 (15,11)
22CC37B0437	7/16 (11,11)	3/8 (9,53)	.140 (3,56)	.574 (14,58)
22CC37C0437	7/16 (11,11)	3/8 (9,53)	.167 (4,24)	.574 (14,58)
22CC37D0437	7/16 (11,11)	3/8 (9,53)	.203 (5,16)	.574 (14,58)
22CC37B0500	1/2 (12,70)	3/8 (9,53)	.140 (3,56)	.605 (15,37)
22CC37C0500	1/2 (12,70)	3/8 (9,53)	.167 (4,24)	.605 (15,37)
22CC37D0500	1/2 (12,70)	3/8 (9,53)	.203 (5,16)	.605 (15,37)
22CC37D0562	9/16 (14,29)	3/8 (9,53)	.203 (5,16)	.606 (15,39)
22CC37D0625	5/8 (15,88)	3/8 (9,53)	.203 (5,16)	.678 (17,22)

WIRE HANDLING HARDWARE

SECTION
VII

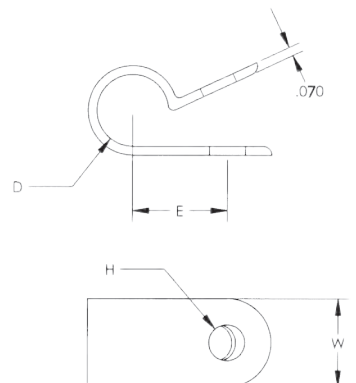
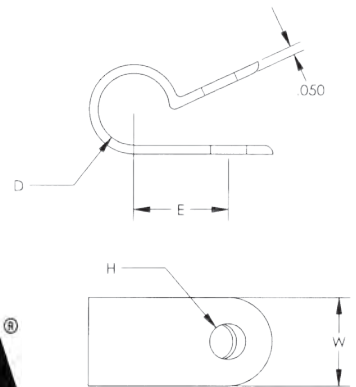


HEAVY DUTY

ITEM NUMBER	D REF.	W	H	E
22CC50C0125	1/8 (3,18)	1/2 (12,70)	.167 (4,24)	.315 (8,00)
22CC50D0125	1/8 (3,18)	1/2 (12,70)	.203 (5,16)	.315 (8,00)
22CC50C0187	3/16 (4,76)	1/2 (12,70)	.167 (4,24)	.425 (10,80)
22CC50D0187	3/16 (4,76)	1/2 (12,70)	.203 (5,16)	.425 (10,80)
22CC50C0250	1/4 (6,35)	1/2 (12,70)	.167 (4,24)	.410 (10,41)
22CC50D0250	1/4 (6,35)	1/2 (12,70)	.203 (5,16)	.410 (10,41)
22CC50C0312	5/16 (7,94)	1/2 (12,70)	.167 (4,24)	.500 (12,70)
22CC50D0312	5/16 (7,94)	1/2 (12,70)	.203 (5,16)	.500 (12,70)
22CC50C0375	3/8 (9,53)	1/2 (12,70)	.167 (4,24)	.530 (13,46)
22CC50D0375	3/8 (9,53)	1/2 (12,70)	.203 (5,16)	.530 (13,46)
22CC50G0375	3/8 (9,53)	1/2 (12,70)	.250 (6,35)	.585 (14,86)
22CC50C0437	7/16 (11,11)	1/2 (12,70)	.167 (4,24)	.560 (14,22)
22CC50D0437	7/16 (11,11)	1/2 (12,70)	.203 (5,16)	.560 (14,22)
22CC50C0500	1/2 (12,70)	1/2 (12,70)	.167 (4,24)	.595 (15,11)
22CC50D0500	1/2 (12,70)	1/2 (12,70)	.203 (5,16)	.595 (15,11)
22CC50C0562	9/16 (14,29)	1/2 (12,70)	.167 (4,24)	.606 (15,39)
22CC50D0562	9/16 (14,29)	1/2 (12,70)	.203 (5,16)	.606 (15,39)
22CC50C0625	5/8 (15,88)	1/2 (12,70)	.167 (4,24)	.655 (16,64)
22CC50D0625	5/8 (15,88)	1/2 (12,70)	.203 (5,16)	.655 (16,64)
22CC50C0687	11/16 (17,46)	1/2 (12,70)	.167 (4,24)	.755 (19,18)
22CC50D0687	11/16 (17,46)	1/2 (12,70)	.203 (5,16)	.755 (19,18)
22CC50C0750	3/4 (19,05)	1/2 (12,70)	.167 (4,24)	.780 (19,81)
22CC50D0750	3/4 (19,05)	1/2 (12,70)	.203 (5,16)	.780 (19,81)
22CC50C0812	13/16 (20,64)	1/2 (12,70)	.167 (4,24)	.815 (20,70)
22CC50D0812	13/16 (20,64)	1/2 (12,70)	.203 (5,16)	.815 (20,70)
22CC50C0875	7/8 (22,22)	1/2 (12,70)	.167 (4,24)	.845 (21,46)
22CC50D0875	7/8 (22,22)	1/2 (12,70)	.203 (5,16)	.845 (21,46)
22CC50D1000	1 (25,40)	1/2 (12,70)	.203 (5,16)	.910 (23,11)
22CC50D1125	1 1/8 (28,58)	1/2 (12,70)	.203 (5,16)	.970 (24,64)
22CC50D1187	1 3/16 (30,16)	1/2 (12,70)	.203 (5,16)	1.000 (25,40)
22CC50D1250	1 1/4 (31,75)	1/2 (12,70)	.203 (5,16)	1.060 (26,92)
22CC50D1375	1 3/8 (34,93)	1/2 (12,70)	.203 (5,16)	1.125 (28,58)
22CC50D1500	1 1/2 (38,10)	1/2 (12,70)	.203 (5,16)	1.190 (30,23)

Materials Available on Special Order

- Flame retardant Nylon 6/6
- 2% carbon black Nylon 6/6 (U.V. Resistant)



EXTRA HEAVY DUTY

WALL THICKNESS IS .070

ITEM NUMBER	D REF.	W	H	E
* 22CC87F0750	3/4 (19,05)	7/8 (22,22)	.387 (9,83)	1.000 (25,40)
* 22CC87D1003	1 1/32 (26,19)	7/8 (22,22)	.203 (5,16)	1.125 (28,58)
* 22CC87F1003	1 1/32 (26,19)	7/8 (22,22)	.387 (9,83)	1.125 (28,58)

* Not UL Approved

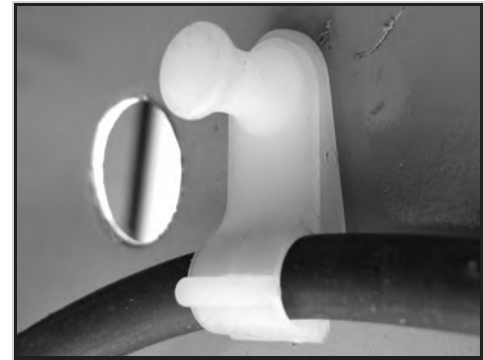
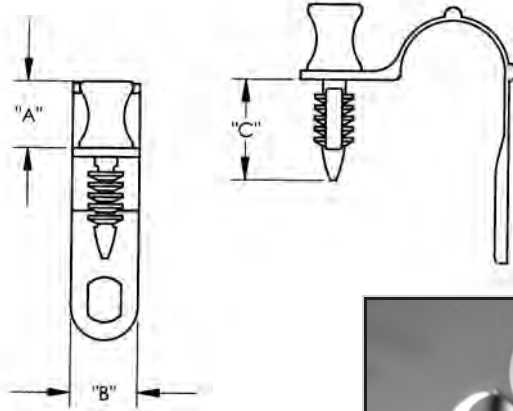
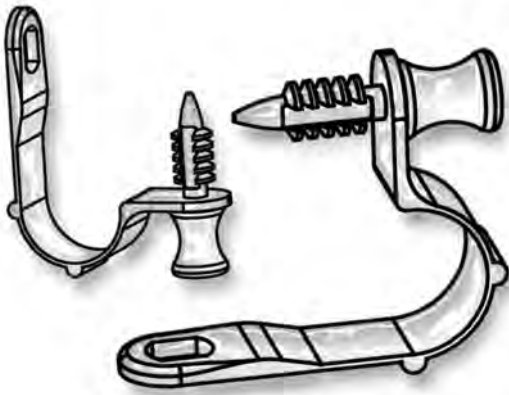
WIRE HANDLING HARDWARE

SECTION VII

QUICK CABLE CLAMPS

Molded in **Natural Nylon 6/6**

Quick cable clamps are designed for one-handed installation. The design features an integrated ratchet fastener which eliminates the need for a screw or other fastener. Quick cable clamps are self-aligning, and the built-in handle allows for quick and easy installation without tools. The parts are molded from Nylon 6/6 and are suitable for many different wire, cable, or tubing routing applications. Parts are designed to fit a 3/16" diameter hole.

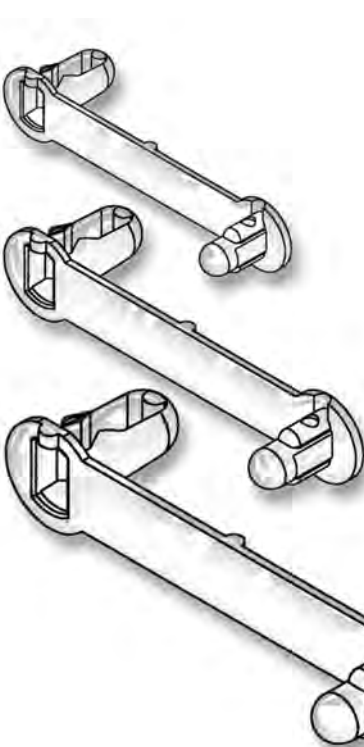


ITEM NUMBER	BUNDLE DIA.	KNOB LENGTH "A"	WIDTH CLIP "B"	LENGTH "C"
22QCC187250	1/4" (6,35)	.375 (9,53)	.375 (9,53)	.528 (13,41)
22QCC187312	5/16" (7,94)	.375 (9,53)	.375 (9,53)	.528 (13,41)
22QCC187375	3/8" (9,53)	.375 (9,53)	.375 (9,53)	.528 (13,41)
22QCC187437	7/16" (11,1)	.375 (9,53)	.375 (9,53)	.528 (13,41)

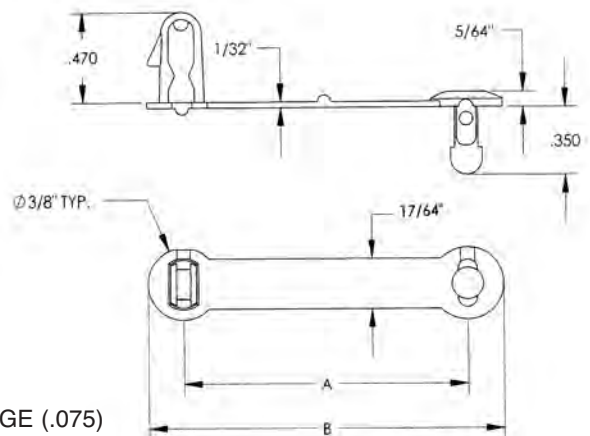
WIRE AND TUBE RETAINING STRAPS

Molded in **Natural Nylon 6/6**

Wire and tube retaining straps are designed to be pushed into a .250 dia. hole, the wire or tube can then be placed on the strap, simply push the pin end into the receiver end and the wire or tube is secured in place.



PANEL THICKNESS 3/16"
 FITS 1/4" HOLE SIZE
 PANEL RANGE FITS UP TO 14 GAUGE (.075)



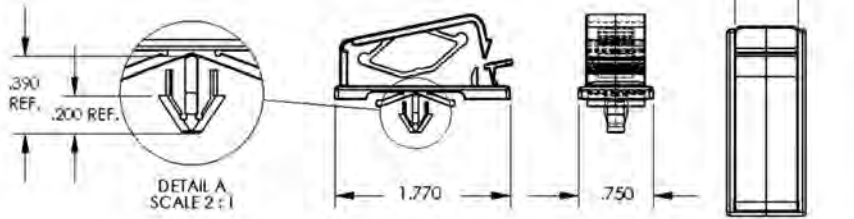
ITEM NUMBER	BUNDLE DIAMETER	"A" REFERENCE	"B" REFERENCE
22WTR2500312	.312 (7,93)	1.530 (38,86)	1.905 (48,39)
22WTR2500375	.375 (9,52)	1.730 (43,94)	2.105 (53,47)
22WTR2500437	.437 (11,10)	1.930 (49,02)	2.305 (58,55)
22WTR2500500	.500 (12,70)	2.130 (54,10)	2.528 (64,21)
22WTR2500562	.562 (14,28)	2.360 (59,94)	2.735 (69,47)

WIRE HANDLING HARDWARE

SECTION
VII

PUSH MOUNT CLIP - flat wire

Molded in **Natural Nylon 6/6**

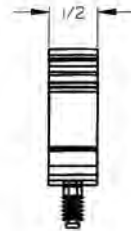
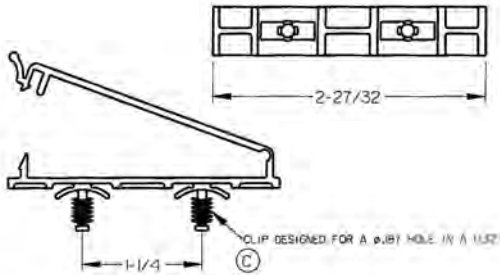


ITEM NUMBER

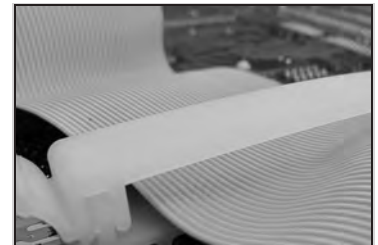
22RCPM1250

RIBBON CLIP - fin clip base

Molded in **Natural Nylon 6/6**



CLIP DESIGNED FOR A .187 HOLE
IN A 1/32 MIN. PANEL



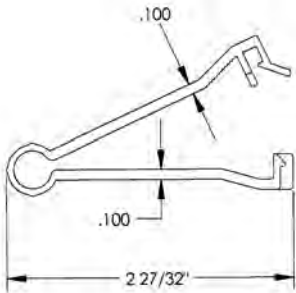
ITEM NUMBER

22FCC250237

RIBBON CLIP - quick move

Molded in **Natural Nylon 6/6**

One Piece Ribbon Clip is molded in tough non-conductive nylon. This design allows for quick positive clamping of flat cable up to 50 conductors wide, without the need for securing the clip to a board or chassis. Ribbon Clips are releasable and reusable, and will not cut or abrade cable.



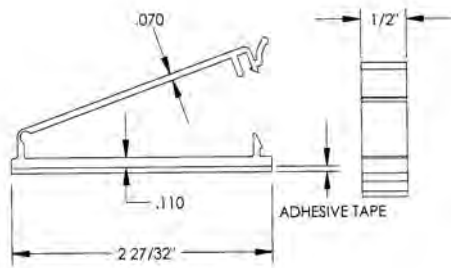
ITEM NUMBER

22RC200

RIBBON CLIP - adhesive base

Molded in **Natural Nylon 6/6**

Adhesive Base Ribbon Clip is molded in tough non-conductive nylon. Ribbon Clips are designed to hold flat cable up to 50 conductors wide. Ribbon Clips will not cut or abrade cable and are releasable. Easy mounting with peel and stick adhesive backing.



ITEM NUMBER

22ABC250237

WIRE HANDLING HARDWARE

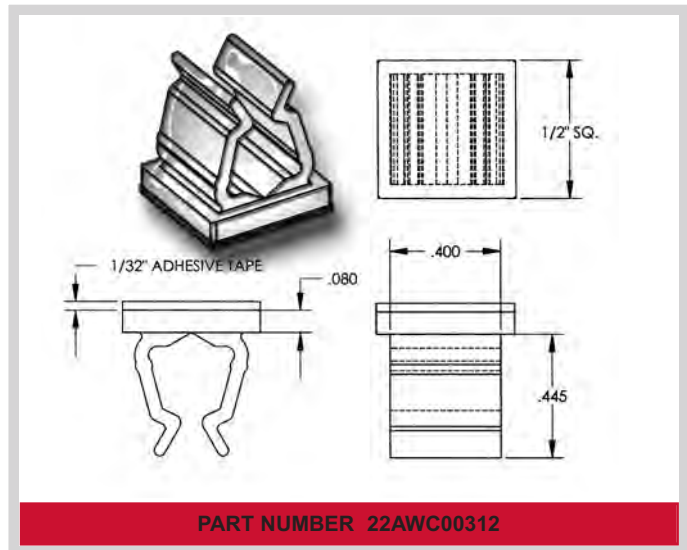
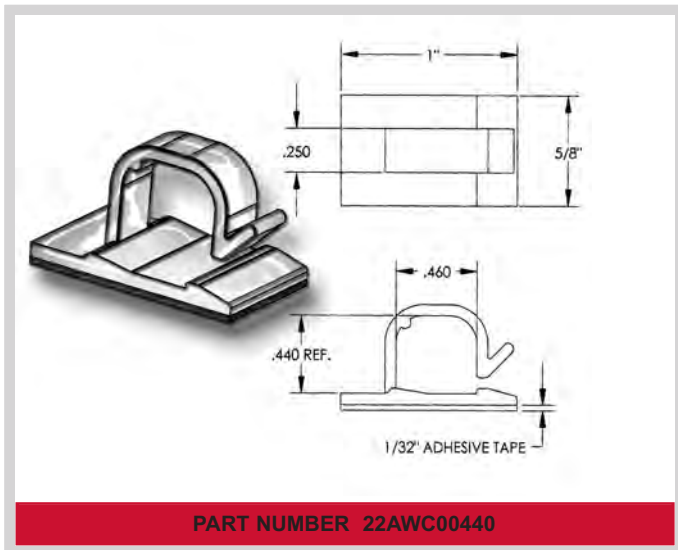
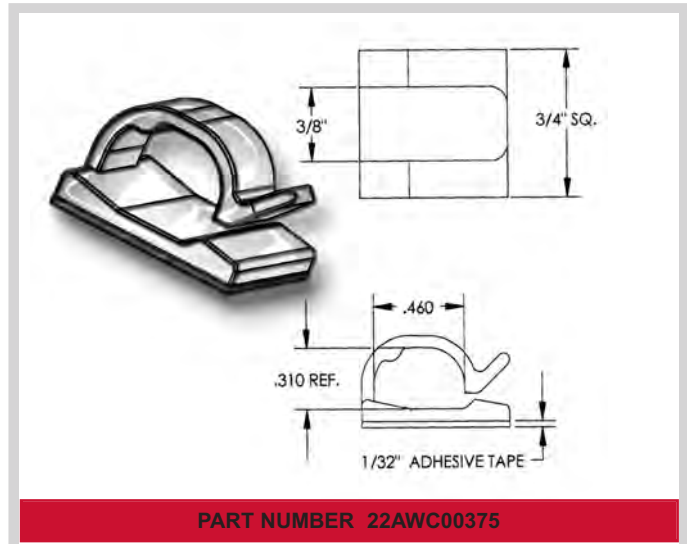
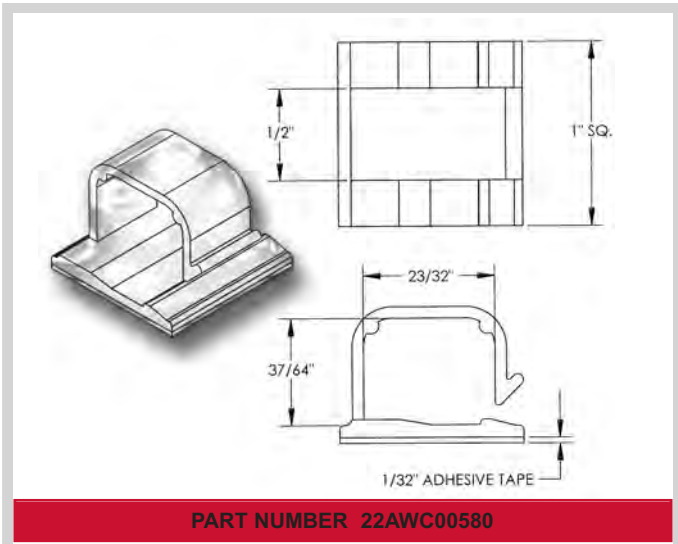
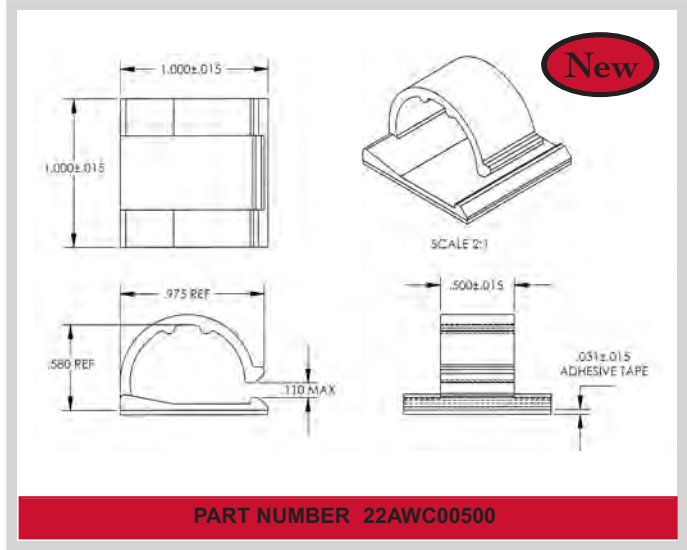
SECTION VII

RELEASABLE ADHESIVE BACKED WIRE CLIPS

Molded in **Natural Nylon 6/6** - Backed with **Polyethylene Foam Tape**

NOTE: RELEASABLE TAB AVAILABLE UPON REQUEST

Micro Plastics' Adhesive Backed Nylon Wire and Cable Clips are used to route wires and cables. The parts are backed with Polyethylene foam tape, and feature a releasable clip so wires can be removed after assembly if desired. Parts are stocked in natural, when ordering black parts add the letter "B" to the end of the part number.



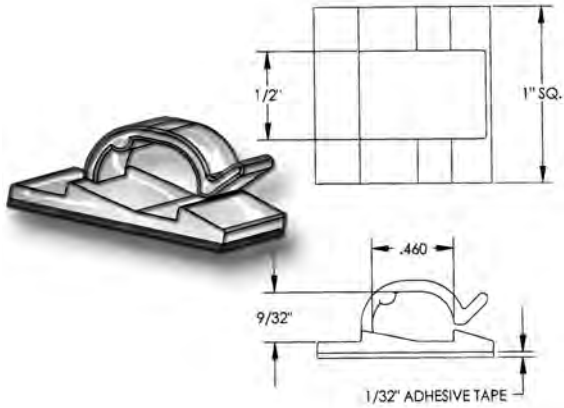
WIRE HANDLING HARDWARE

RELEASABLE ADHESIVE BACKED WIRE CLIPS

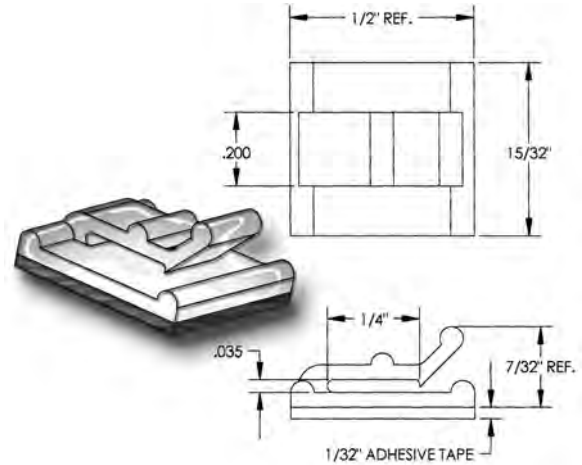
Molded in **Natural Nylon 6/6** - Backed with **Polyethylene Foam Tape**

NOTE: RELEASABLE TAB AVAILABLE UPON REQUEST

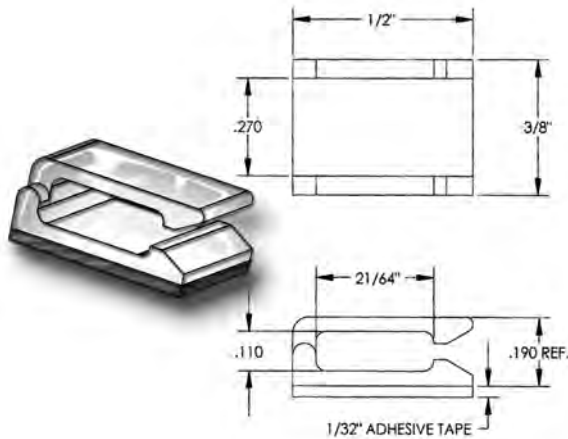
SECTION
VII



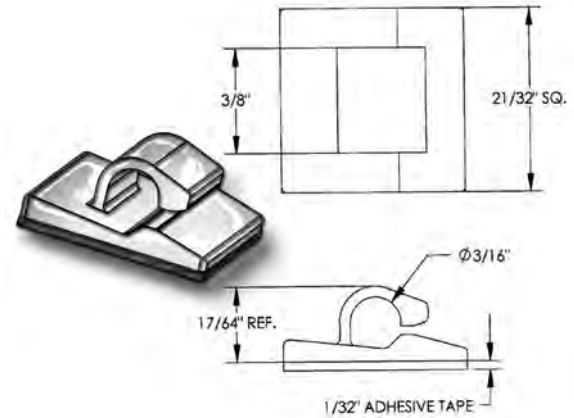
PART NUMBER 22AWC00281



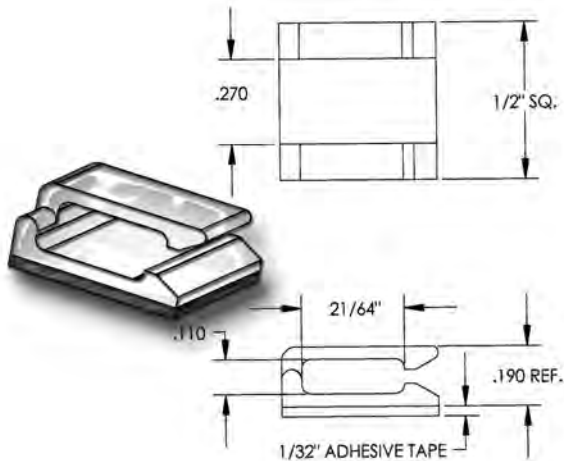
PART NUMBER 22AWCF250047



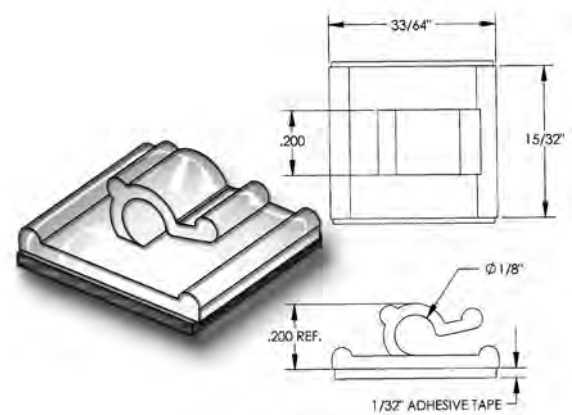
PART NUMBER 22AWCF328110



PART NUMBER 22AWC00187



PART NUMBER 22AWCF328110A



PART NUMBER 22AWC00125

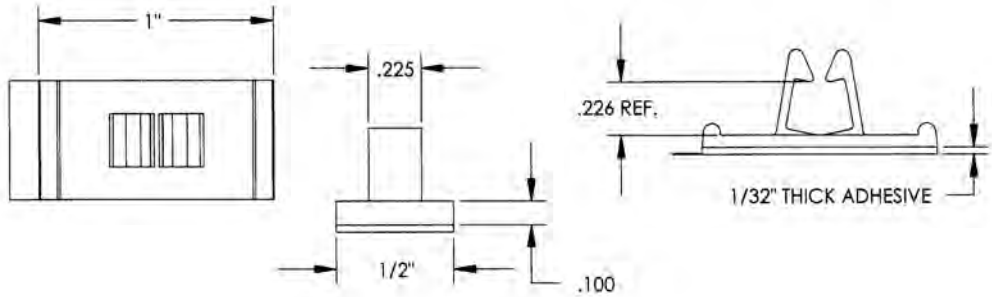
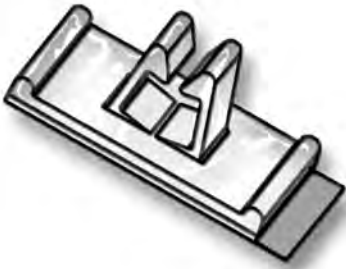
WIRE HANDLING HARDWARE

SECTION VII

WIRE CLIP WITH TAB ADHESIVE BACKED

Molded in Natural Nylon 6/6 NOTE: RELEASABLE TAB AVAILABLE UPON REQUEST

Micro Plastics' Adhesive Backed Wire Clip with handy release tab. Molded in natural colored Nylon 6/6 material. Clip is backed with double coated Polyethylene foam tape. Foam tape uses a strong and durable acrylic adhesive. Wire clip features a releasable clip design so wires can be removed after assembly.

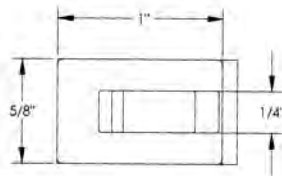
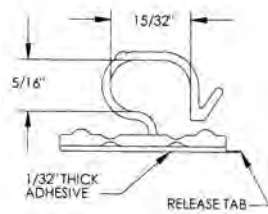


ITEM NUMBER	LENGTH	CLIP THICKNESS	MOUNTING THICKNESS WITHOUT ADHESIVE	WIDTH	ADHESIVE W/ TAB
22AWC250220TAB	1" (25,40)	.225 (5,72)	.100 (2,54)	1/2" (12,70)	1/32" (7,94)

CONTOUR CLIP

Molded in Natural Nylon 6/6

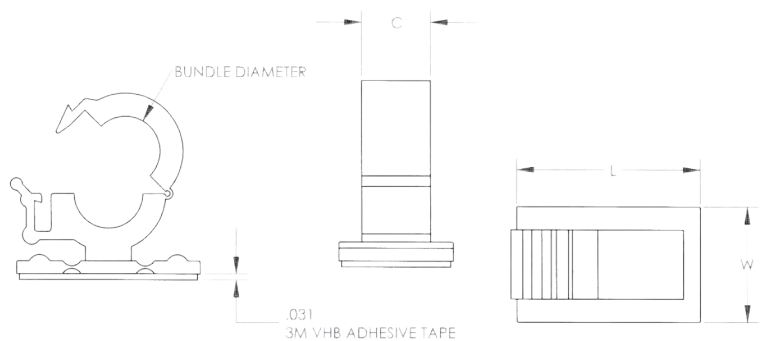
The adhesive-backed part incorporates a new design consisting of a hinge type movement in the base which flexes to fit convex or concave surfaces. This flexible base allows the part to be used on cylindrical surfaces such as pipes or tubing, and on irregular surfaces - even around corners. The part is molded from nylon and is applied with our standard adhesive-backed tape with an extended paper liner for easy removal of the liner. The part is also available with 3M's VHB (very high bond) tape which develops a high-strength, epoxy type bonding.



ITEM NUMBER	DESCRIPTION
22CAWC00440TAB	Contour Clip
22CAWC00440VHBTAB	Contour Clip (VHB)

RELEASABLE CONTOUR CLIP

Molded in Natural Nylon 6/6



ITEM NUMBER	L	W	C	BUNDLE DIAMETER
22CAWC00375	1" (25,40)	5/8" (15,88)	3/8" (9,53)	3/8" (9,53)
22CAWC00375VHB	1" (25,40)	5/8" (15,88)	3/8" (9,53)	3/8" (9,53)

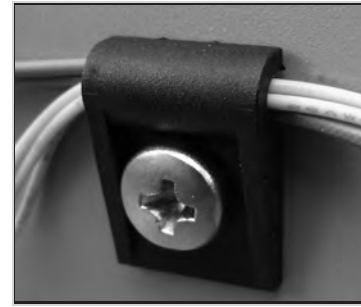
WIRE HANDLING HARDWARE

SECTION
VII

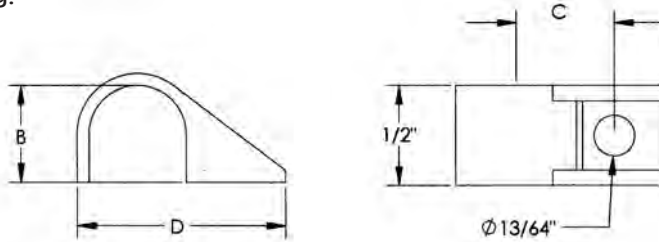
HEAVY DUTY CABLE CLIPS

Molded in **Natural Nylon 6/6**

Micro Plastics' Nylon Heavy Duty Cable Clips are designed for cable and wire applications involving greater than usual loads or connections of critical nature. The rugged clip has reinforced side flanges for additional strength and rigidity. Compact design allows this clip to be used on corners, edges or where space is limited. Clip has hole for screw mounting.



Available in size range for 1/8" to 1/2" diameter cable.



ITEM NUMBER	DESCRIPTION	"B"	"C"	"D" REF.
22HDCC1250	1/8" Hvy. dty. Clip	.115 (2,92)	.307 (7,80)	.675 (17,14)
22HDCC1720	3/16" Hvy. dty. Clip	.172 (4,37)	.328 (8,33)	.732 (18,59)
22HDCC2340	1/4" Hvy. dty. Clip	.234 (5,95)	.366 (9,30)	.793 (20,14)
22HDCC2970	5/16" Hvy. dty. Clip	.297 (7,54)	.400 (10,16)	.859 (21,83)
22HDCC3590	3/8" Hvy. dty. Clip	.359 (9,13)	.430 (10,92)	.910 (23,11)
22HDCC4220	7/16" Hvy. dty. Clip	.422 (10,72)	.460 (11,68)	.980 (24,89)
22HDCC4840	1/2" Hvy. dty. Clip	.484 (12,30)	.492 (12,50)	1.044 (26,52)

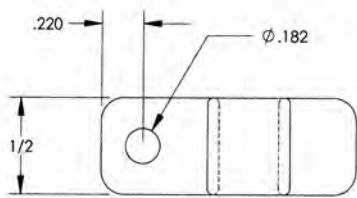
WIRE CLIP

Molded in **Natural Nylon 6/6**

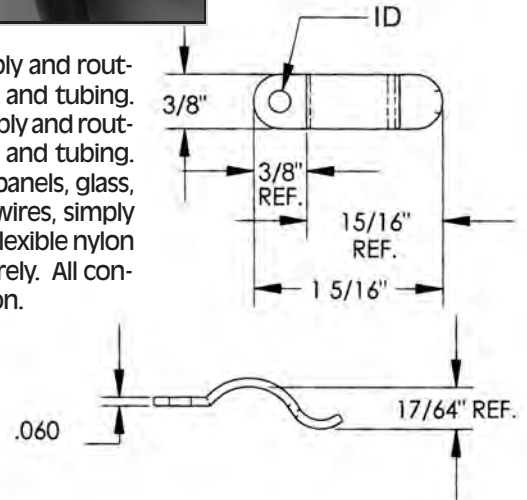
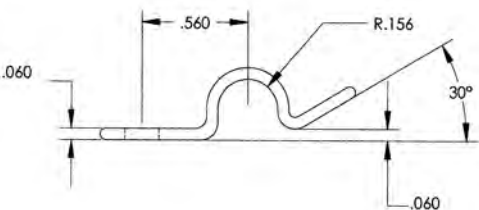


SPRING CLIP

Molded in **Natural Nylon 6/6**



Nylon Wire Clips provide fast, secure assembly and routing of wires, standard round cable, flat cable and tubing. Nylon Spring Clips provide fast, secure assembly and routing of wires, standard round cable, flat cable and tubing. The Spring Clip can also be used to mount panels, glass, displays, or signs. To inspect, add or replace wires, simply pull back clip to allow placement. The tough, flexible nylon clip will spring back to hold the material securely. All contact edges are rounded for product protection.

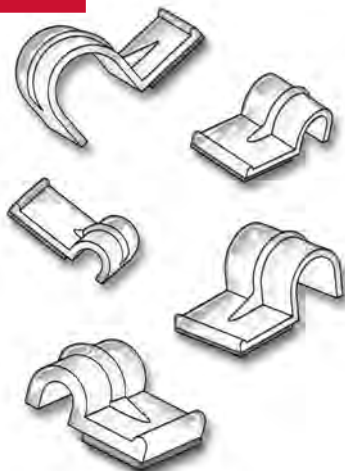


ITEM NUMBER	DESCRIPTION
22WC500312	1/2 (12,70) X .312 (7,94)

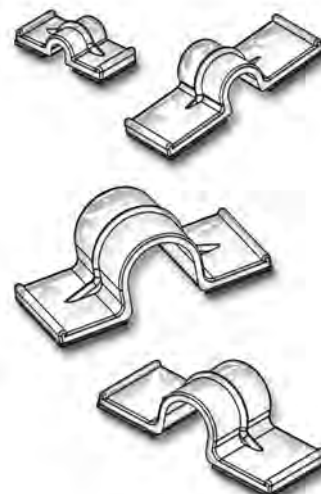
ITEM NUMBER	DESCRIPTION	ID
22SCP375132	3/8 (9,53) X .132 (3,35)	.150
22SCP375132A	3/8 (9,53) X .132 (3,35)	.179

WIRE HANDLING HARDWARE

SECTION VII

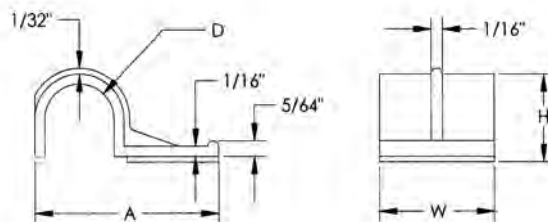


Double and single press clips are the convenient and fast way to install wires and cable to almost any surface. Tough, corrosion resistant nylon 6/6 clip is backed with a quality foam adhesive tape. The double clip design develops greater shear loads and holding power and are supplied on easy-to-use perforated liner strips in sets of 6 to 10 pieces. The single clip is designed to be used in areas where space is limited or in corners or edges and are supplied on easy-to-use perforated liner strips in sets of 6 to 10 pieces. To install, simply pull the clip off of the liner strip and press into place. No holes to drill or screws to turn. Nylon press clips provide a low in-place assembly that is quick and permanent. Urethane foam tape has excellent conformability, high temperature and solvent resistance and high ultimate bond strength.



SINGLE ADHESIVE BACKED CABLE CLIPS

Molded in **Natural Nylon 6/6** - **1/32" Adhesive Tape**

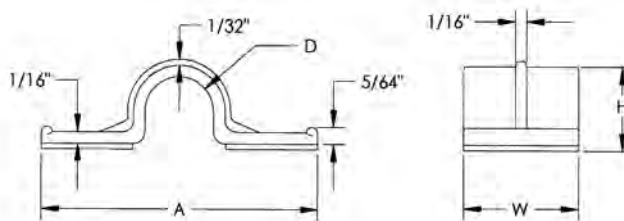


ITEM NUMBER	DESCRIPTION	"D"	"A" *	"H"	"W"
** 22SPC13037	1/8" SNGL CLIP	1/8" (3,18)	.493 (12,52)	.217 (5,51)	3/8" (9,53)
** 22SPC20000	13/64" SNGL CLIP	13/64" (5,16)	.808 (20,53)	.289 (7,34)	1/2" (12,70)
** 22SPC25550	1/4" SNGL CLIP	1/4" (6,35)	.865 (21,97)	.343 (8,71)	1/2" (12,70)
** 22SPC38562	3/8" SNGL CLIP	3/8" (9,53)	1.000 (25,40)	.475 (12,07)	5/8" (15,88)
* 22SPC50575	1/2" SNGL CLIP	1/2" (12,70)	1.125 (28,58)	.593 (15,06)	3/4" (19,05)

*Packaged 50 pcs. per roll **Packaged 100 pcs. per roll

DOUBLE ADHESIVE BACKED CABLE CLIPS

Molded in **Natural Nylon 6/6** - **1/32" Adhesive Tape**



ITEM NUMBER	DESCRIPTION	"D"	"A" *	"H"	"W"
** 22DPC13037	1/8" DBLE CLIP	1/8" (3,18)	.760 (19,30)	.216 (5,49)	3/8" (9,53)
** 22DPC15637	5/32" DBLE CLIP	5/32" (3,96)	1.281 (32,54)	.248 (6,30)	3/8" (9,53)
** 22DPC25550	1/4" DBLE CLIP	1/4" (6,35)	1.380 (35,05)	.326 (8,28)	1/2" (12,70)
* 22DPC38062	3/8" DBLE CLIP	3/8" (9,53)	1.505 (38,23)	.455 (11,56)	5/8" (15,88)
* 22DPC50575	1/2" DBLE CLIP	1/2" (12,70)	1.600 (40,64)	.580 (14,73)	3/4" (19,05)

*Packaged 50 pcs. per roll **Packaged 100 pcs. per roll

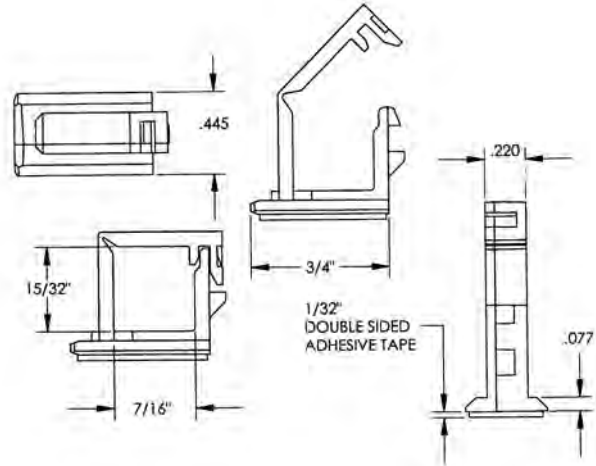
ADHESIVE BASED RELEASABLE WIRE CLIP

Molded in Natural Nylon 6/6 NOTE: RELEASABLE TAB AVAILABLE UPON REQUEST

Adhesive based releasable wire clip has a unique positive latch design for multiple open/close cycles for adding or removing wires. Part is molded in Natural Nylon 6/6 with double coated foam tape for easy installation without mounting screws or holes for push mounts.



ITEM NUMBER
22AWC438469



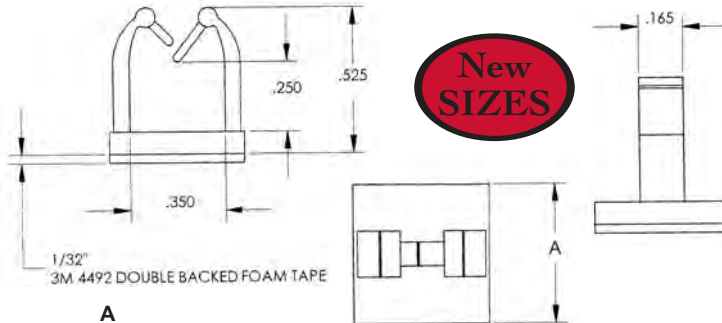
MINIATURE WIRE SADDLE ON ADHESIVE BASE

Molded in Natural Nylon 6/6

Micro Plastics' adhesive based clip eliminates the need for mounting holes. Due to the small base design, this part is good for space saving applications.

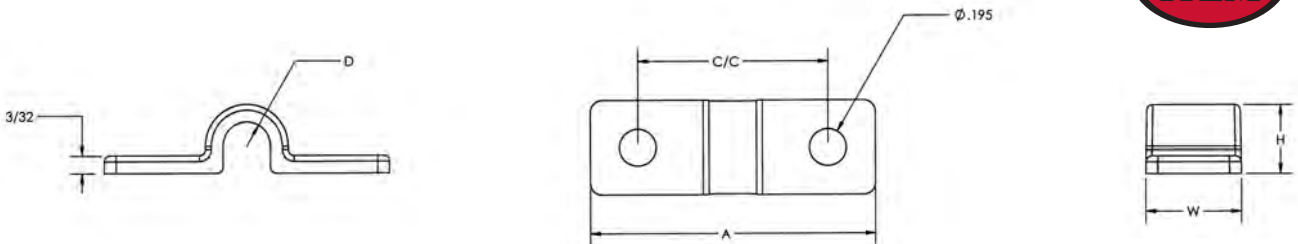


ITEM NUMBER	A
22MWCA310500	1/2"
22MWCA350500	1/2"
22MWCA350750TAB	3/4"



DOUBLE SCREW CLIP

Molded in Natural Nylon 6/6



New
ITEM

ITEM NUMBER	DESCRIPTION	A	W	H	C/C	D
22DSC500250	1/4" Double Screw Clip	1.500 (38,1)	.500 (12,7)	.359 (9,11)	1.000 (25,4)	.250 (6,35)

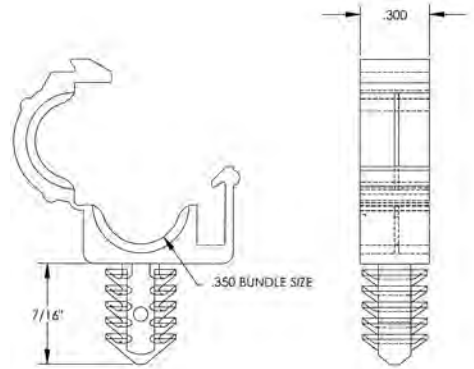
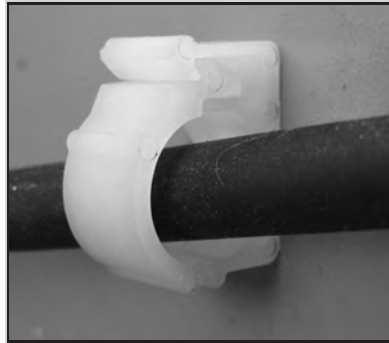
WIRE HANDLING HARDWARE

SECTION VII

"SPECIAL ITEM" RELEASABLE CLAMP ON FIN CLIP BASE

Molded in **Natural Nylon 6/6**

NOTES
HOLE SIZE - .256
PANEL THICKNESS - .020/.203

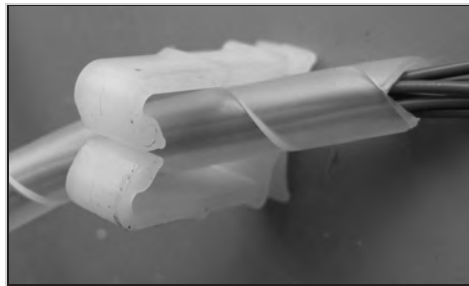
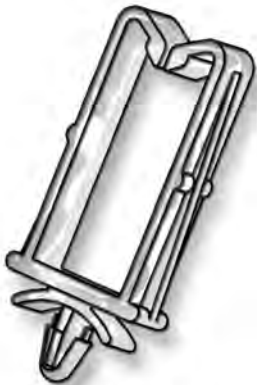
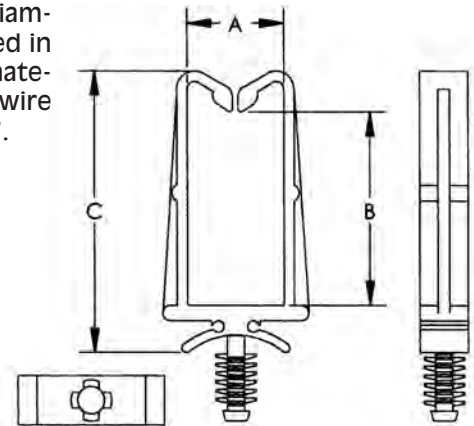
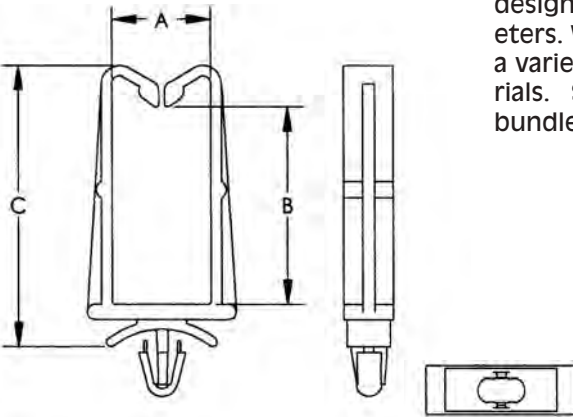


ITEM NUMBER
23RCFB035C

WIRE/CABLE HOLDERS

Molded in **Natural Nylon 6/6**

Micro Plastics' Wire/Cable Holders are designed to mount into 3/16 hole diameters. Wire/Cable Holders can be used in a variety of panel thicknesses and materials. Sizes are available to handle wire bundle diameters from .375" to .500".



22WHB_SERIES

22WHA_SERIES

ITEM NUMBER	A	B	C	HOLE DIA.	PANEL RANGE
22WHA375050	.375 (9,53)	.500 (12,70)	.922 (23,42)	.187 (4,76)	VARIABLE
22WHA375075	.375 (9,53)	.750 (19,05)	1.172 (29,80)	.187 (4,76)	VARIABLE
22WHA500075	.500 (12,70)	.750 (19,05)	1.219 (30,96)	.187 (4,76)	VARIABLE
22WHA500100	.500 (12,70)	1 (25,40)	1.469 (37,31)	.187 (4,76)	VARIABLE
22WHB375050	.375 (9,53)	.500 (12,70)	.900 (22,86)	.187 (4,76)	.030 (0,76)/.093 (2,36)
22WHB375075	.375 (9,53)	.750 (19,05)	1.172 (29,80)	.187 (4,76)	.030 (0,76)/.093 (2,36)
22WHB500075	.500 (12,70)	.750 (19,05)	1.200 (30,48)	.187 (4,76)	.030 (0,76)/.093 (2,36)
22WHB500100	.500 (12,70)	1 (25,40)	1.425 (36,20)	.187 (4,76)	.030 (0,76)/.093 (2,36)

**METRIC Sizes
Also Available**
Page 283

WIRE HANDLING HARDWARE

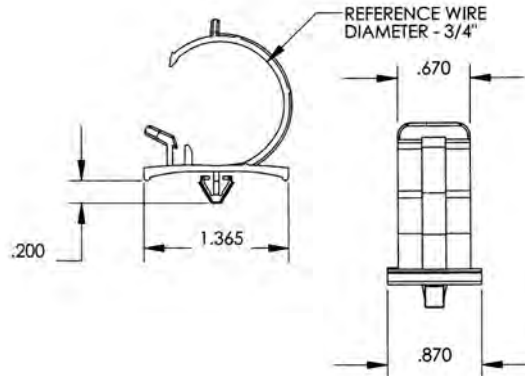
SECTION
VII

WIRE CLIP WITH PUSH-IN MOUNT

Molded in **Natural Nylon 6/6**



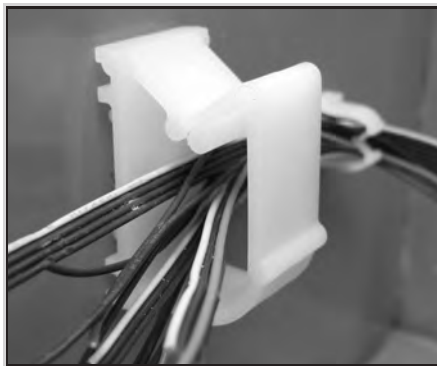
Part is designed to mount in a .250 diameter hole in a .020 to .070 thick panel. Part can be opened and closed multiple times for adding or removing wires. Maximum wire bundle diameter is 3/4 inch. Large contoured base assures a stable mounting.



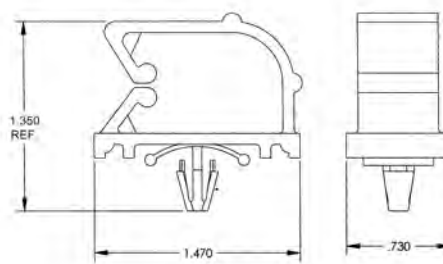
ITEM NUMBER
22SEAPM250750

WIRE CLIP WITH PUSH-IN MOUNT

Molded in **Natural Nylon 6/6**



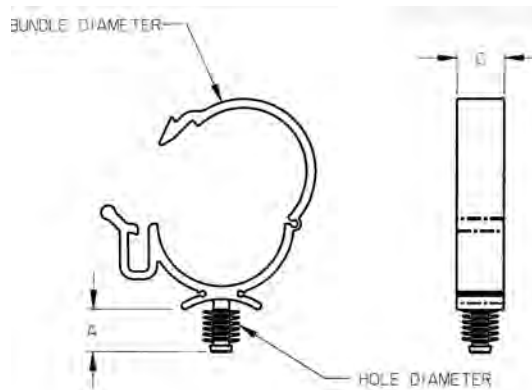
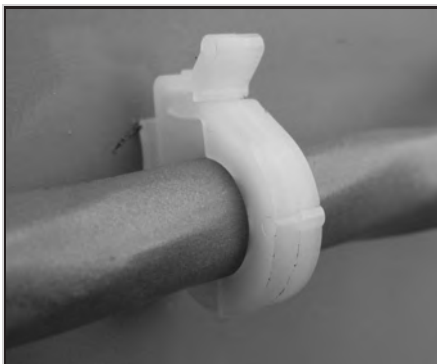
Micro Plastics side entry wire routing clip with push-in mount
CLIP TO FIT A .250 HOLE WITH A PANEL UP TO .105
MAXIMUM BUNDLE DIAMETER IS .750



ITEM NUMBER
22SEWC750100

RELEASABLE CLAMP ON FIN CLIP BASE

Molded in **Natural Nylon 6/6**



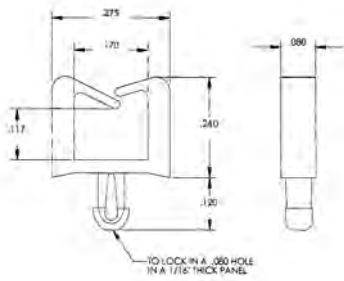
ITEM NUMBER	A	C	BUNDLE DIA.	HOLE DIA.	PANEL RANGE
23RCFB037	.344 (8,74)	.187 (4,75)	.375 (9,53)	.187 (4,75)	VARIABLE
23RCFB050	.344 (8,74)	.187 (4,75)	.500 (12,70)	.187 (4,75)	VARIABLE
23RCFB05025	.344 (8,74)	.187 (4,75)	.500 (12,70)	.250 (6,35)	VARIABLE
23RCFB100	.344 (8,74)	.375 (9,53)	1 (25,40)	.250 (6,35)	VARIABLE

WIRE HANDLING HARDWARE

SECTION VII

MICRO WIRE CLIP

Molded in **Natural Nylon 6/6**



Micro Plastics' micro wire clips are molded in Nylon 6/6 material. They can be used on densely packed PC boards or any other limited space applications. Holds up to ten 25 gauge wires (1/32 outside diameter). Wires install easily by pressing down on retaining arms which flex to accept wire then spring back into place.



Watch Instructional Video

[mms://www.microplastics.com/productvideos/MicroWireClip.asf](https://www.microplastics.com/productvideos/MicroWireClip.asf)

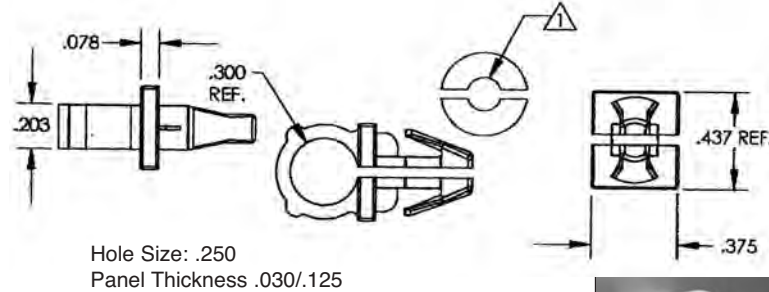
ITEM NUMBER

22MWC170120

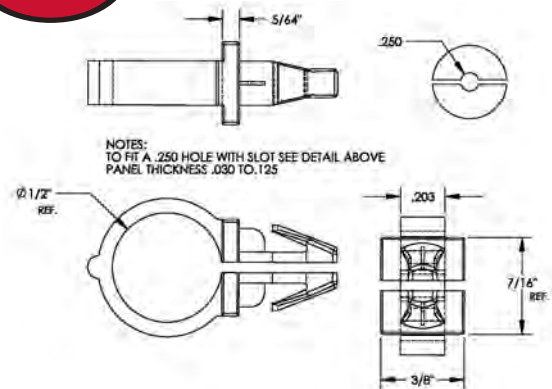
SPLIT WIRE ROUTING CLIP

Molded in **Natural Nylon 6/6**

The split wire routing design allows loading of wires by separating the cup at the split and then inserting the prongs of the clip into a hole in the panel.



New SIZES



PART NUMBER

DESCRIPTION

23SWRC250250 1/4" SPLIT WIRE ROUTING CLIP

23SWRC250375 3/8" SPLIT WIRE ROUTING CLIP



PART NUMBER

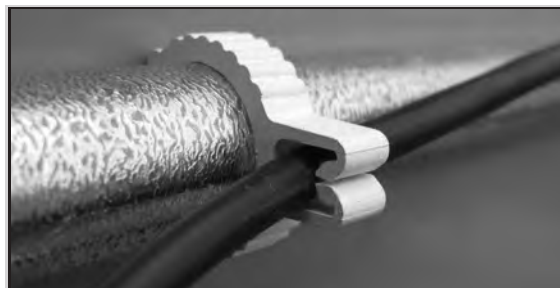
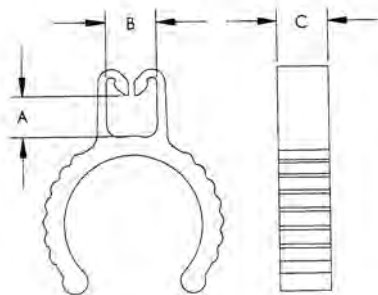
DESCRIPTION

23SWRC250500 1/2" SPLIT WIRE ROUTING CLIP

CONDUIT CLIPS

Molded in **Natural Nylon 6/6**

Various wiring, such as telephone wire, is often routed with electrical conduit. "Conduit clips" are designed to snap onto electrical conduit. The integrated wire holder on the clip allows wiring to be secured to the conduit. Installation is faster and easier than with a wire tie, which is often used for this purpose. The clip can be easily removed if necessary. Two sizes are available for 1/2" and 3/4" ID conduit, which will accommodate various wire sizes up to 5/16" diameter. Parts are molded in light weight, chemical and corrosion resistant nylon 6/6.



PATENTED

ITEM NUMBER

DESCRIPTION

23CDC05025 1/2" CONDUIT CLIP

23CDC07531 3/4" CONDUIT CLIP

A

B

C

CONDUIT SIZE

.200 (5,08)

.250 (6,35)

.250 (6,35)

1/2" (12,70)

.312 (7,92)

.312 (7,92)

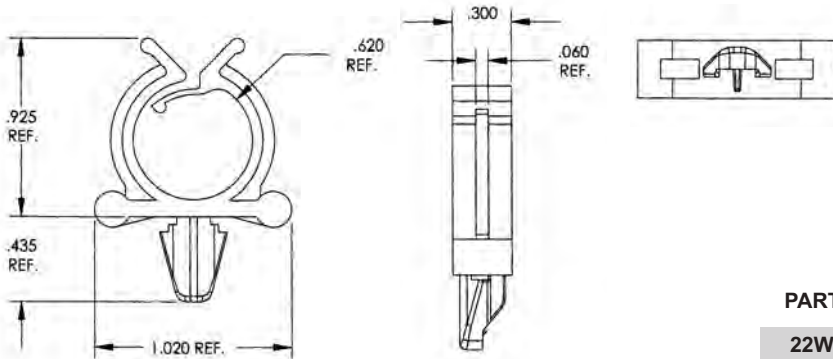
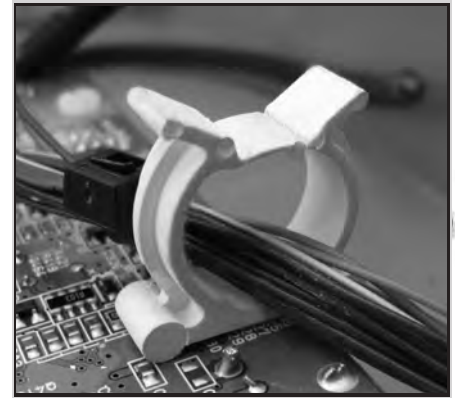
.250 (6,35)

3/4" (19,05)

CORD CLIP WITH PUSH MOUNT

Molded in **Natural Nylon 6/6**

Micro Plastics' cord clip is designed with a 5/8" (15,88) bundle diameter. To mount into a 1/4" (6,35) diameter hole. Cord clip is used to organize wires, cords and cables. Parts are molded in UL Recognized Nylon 6/6.



PART NUMBER	PANEL THICKNESS
22WCPM062250	1/16 (1,57)

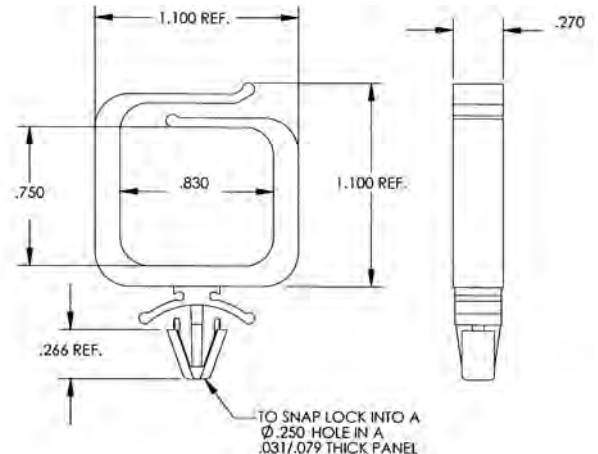
NYLON FUEL LINE CLIP

Molded in **Natural Nylon 6/6**

Micro Plastics' Fuel line Clip is molded Nylon 6/6 material that is resistant to oil and gasoline. Part snaps into a .031" to .079" panel thickness. Clip can be used for routing tubes and cables.

Material is rated UL94-V2

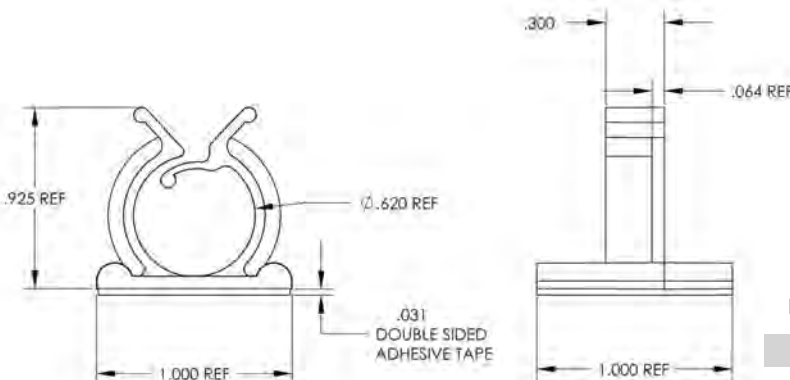
ITEM NUMBER
22FLC750830



CORD CLIP WITH ADHESIVE BASED MOUNT

Molded in **Black Nylon 6/6** NOTE: RELEASABLE TAB AVAILABLE UPON REQUEST

Micro Plastics' cord clip is designed with a 5/8" (15,88) bundle diameter. Cord clip is used to organize wires, cords and cables. Parts are molded in UL Recognized Black Nylon 6/6 with double coated foam tape for easy installation with out mounting screws.



PART NUMBER	BUNDLE DIAMETER
22AWC00625	5/8" (15,88)

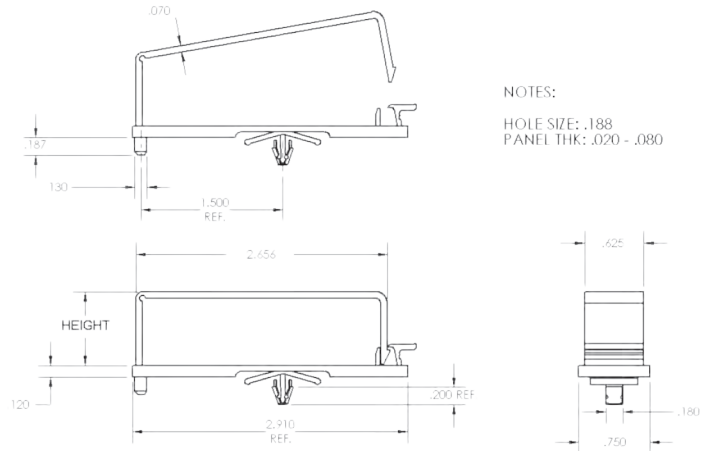
WIRE HANDLING HARDWARE

SECTION VII

WIRE CLIP

Molded in **Natural Nylon 6/6**

**New
SIZE**



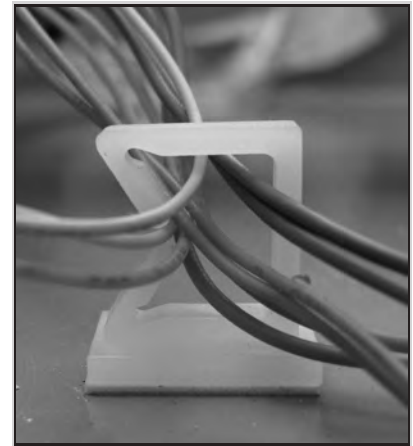
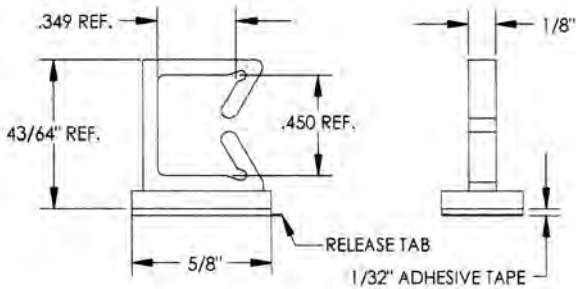
NOTES:
HOLE SIZE: .188
PANEL THK: .020 - .080

ITEM NUMBER	HEIGHT
22ACC780265	.780
22ACC812265	.900

RELEASABLE ADHESIVE BACKED WIRE CLIPS

Molded in **Natural Nylon 6/6** - Backed With Polyethylene foam tape

Micro Plastics' Releasable Adhesive Backed Wire Clip with handy release tab is used to route wires and cables. Molded in UL recognized Nylon 6/6 with double coated Polyethylene foam tape. Clip has side entry for ease of wire installation.



ITEM NUMBER	DESCRIPTION
22AWC350450TAB	RELEASABLE ADHESIVE CLIP

LAMP SNAP BUSHINGS "internal"

Molded in **Black Hi-density Polyethylene**

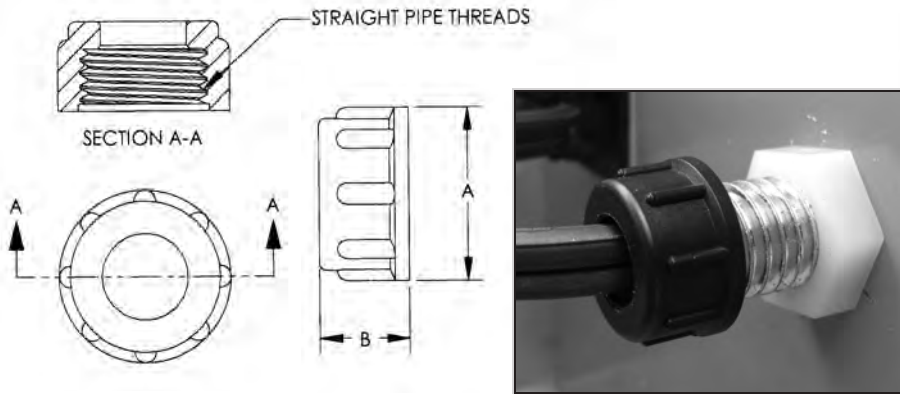
Micro Plastics' Lamp Snap Bushings are an economical approach to the protection of lampcord insulation, from the sharp and often burred ends of the standard threaded pipe used in lamp manufacture. Bushings are molded of black Hi-density Polyethylene, to allow flexibility for easy installation, and durability for long lasting cord protection.



ITEM NUMBER	DESCRIPTION	L	A	B	F	G
04MP0125SB	1/8" SNAP	1/4" (6,35)	3/8" (9,53)	1/32" (0,79)	.298 (7,57)	.230 (5,84)
04MP0250SB	1/4" SNAP	15/32" (11,9)	27/64" (10,72)	1/32" (0,79)	.375 (9,53)	.312 (7,94)

Minimum order quantity 1,000 pieces

Micro Plastics' Threaded Lampcord Bushings are molded in tough Black Heat Stabilized Nylon (Underwriters Laboratories Rated 94V2, Temperature Index 105°C). Micro Plastics has available from stock the most popular sizes of Threaded Lampcord Bushings. These bushings are designed to protect the electrical lampcord from the knife-edge of the threaded pipe used in light fixtures. They will easily thread onto standard lamp fixture 1/8 NPS and 1/4 NPS threaded ends. Micro Plastics' bushings will provide reliable, safe and insulated connections. Micro Plastics' has available from stock the most popular sizes of Threaded Lampcord Bushings.



04MP0500TLB



04MP0375TLB



04MP0250TLB



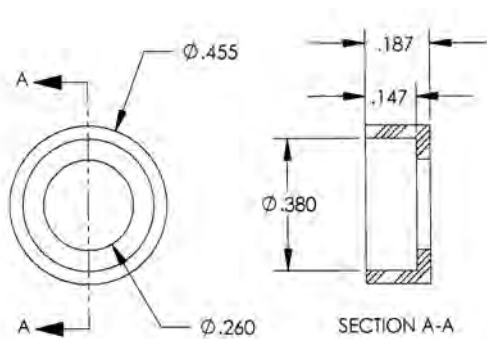
04MP0125TLB



THREADED LAMPCORD BUSHINGS

Molded in **Black H.S. Nylon UL 94V2**

ITEM NUMBER	DESCRIPTION	A	B
04MP0125TLB	1/8 NPS	19/32" (15,08)	9/32" (7,14)
04MP0250TLB	1/4 NPS	23/32" (18,26)	3/8" (9,53)
04MP0375TLB	3/8 NPS	7/8" (22,23)	7/16" (11,11)
04MP0500TLB	1/2 NPS	1 1/16" (27,00)	3/8" (9,53)



Micro Plastics' external lamp snap bushings are an economical approach to the protection of lampcord insulation, from the sharp and often burred ends of the standard threaded pipe used in lamp manufacture. Bushings are molded of Black Hi-density Polyethylene to allow flexibility for easy installation and durability for long lasting cord protection.

MINIMUM ORDER QUANTITY 1000 PCS.

LAMP SNAP BUSHING "external"

Molded in **Black High Density Polyethylene**



ITEM NUMBER	OD	ID	THICKNESS	COUNTER BORE DIAMETER	COUNTER BORE DEPTH
04MP0125SBOD	.455 (11,56)	.260 (6,60)	.187 (4,75)	.380 (9,65)	.147 (3,73)

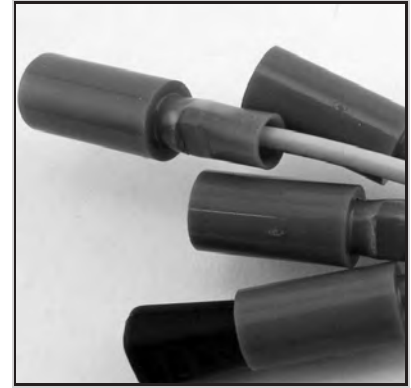
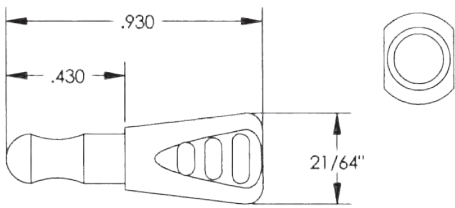
WIRE HANDLING HARDWARE

SECTION VII

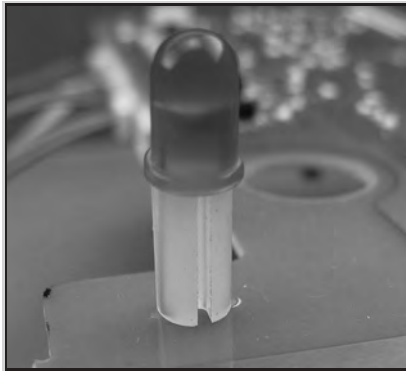
DUMMY PLUGS

Molded in **Black Nylon 6/6**

Micro Plastics' Dummy Plugs are designed to electrically isolate unused bullet type "female" terminals in wiring harnesses, to prevent short circuits due to harness movement. Molded of tough electrically insulating black Nylon, these plugs are easily inserted with normal hand pressure and removable for addition of electrical accessories.

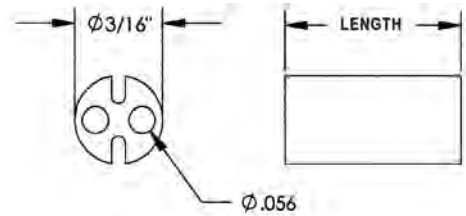


ITEM NUMBER
DP401030



LED SPACER

Molded in **Natural Nylon 6/6**

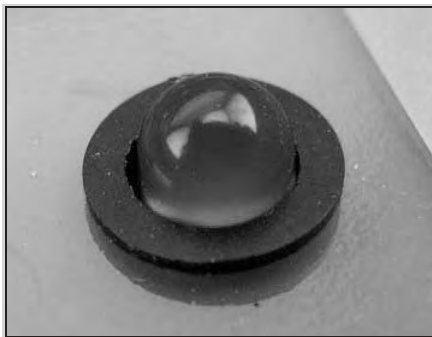


ITEM NUMBER	OD	ID	LENGTH
27LED2SP0250	3/16" (4,76)	.056" (1,42)	1/4" (6,35)
27LED2SP0375	3/16" (4,76)	.056" (1,42)	3/8" (9,53)
27LED2SP0500	3/16" (4,76)	.056" (1,42)	1/2" (12,7)

LED HOLDERS

Molded in **Black H.S. Nylon**

LED Holders have been designed for standard T-1 3/4" LEDs. Snap LED Holder into the panel, then snap the LED into the holder.



FOR STANDARD LED T - 1 3/4

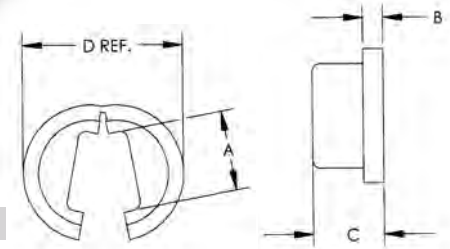
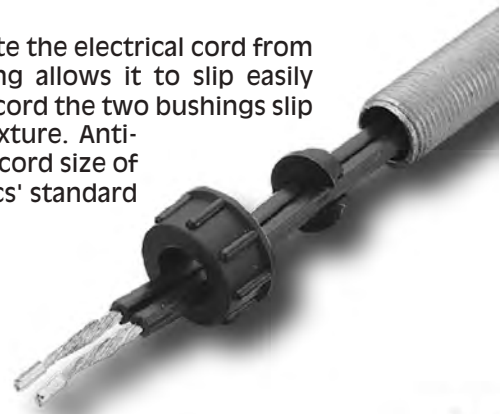


ITEM NUMBER	A	B	C	HOLE SIZE	PANEL RANGE
27LEDH01	.317 (8,05)	.025 (0,64)	.250 (6,35)	.240 / .247 (6,10) / (6,27)	.070 (1,78)
27LEDH02	.357 (9,07)	.098 (2,49)	.220 (5,59)	.281 / .287 (7,14) / (7,29)	.046 (1,17)

WIRE HANDLING HARDWARE

SECTION
VII

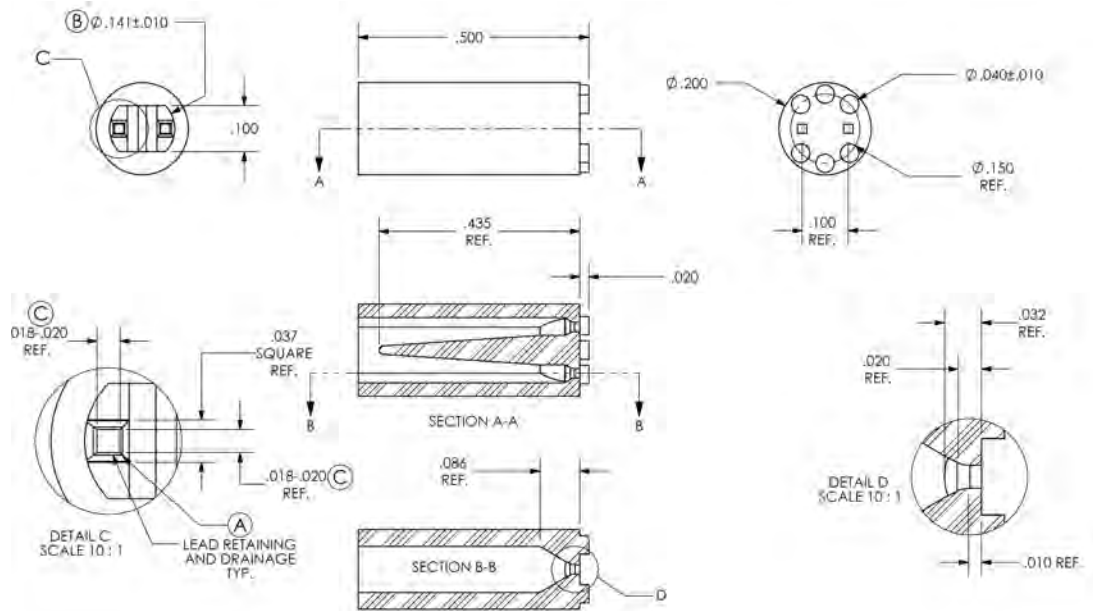
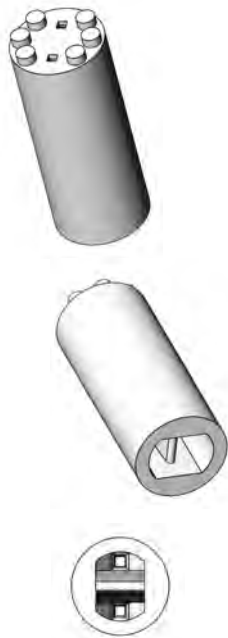
Micro Plastics' exclusive anti-twist design was developed to eliminate the electrical cord from twisting inside the lamp. Anti-Twist Bushings' convenient opening allows it to slip easily around the cord. When the Lampcord Bushing is threaded over the cord the two bushings slip together allowing for easy installation onto any standard lamp fixture. Anti-Twist Bushing fits a 1/8" pipe thread and accommodates a standard cord size of SPT-1, 18,2. The bushing was designed to be used with Micro Plastics' standard 1/8" Lamp Cord Bushing. Other sizes will be tooled upon request.



ANTI-TWIST BUSHING

Molded in **Black Nylon 6/6**

ITEM NUMBER	DESCRIPTION	A	B	C	D Ref.
04MP0125ATB	1/8" ANTI-TWIST	.195 (4,95)	.050 (1,27)	.175 (4,44)	.390 (9,91)
04MP0250ATB	1/4" ANTI-TWIST	.195 (4,95)	.050 (1,27)	.175 (4,44)	.500 (12,70)



SELF RETAINING LED MOUNTS

Molded in **Natural Nylon 6/6**

ITEM NUMBER	LENGTH
27LEDSRM500	.500 (12,7)
27LEDSRM520	.520 (13,2)
27LEDSRM550	.550 (13,9)
27LEDSRM570	.570 (14,4)
27LEDSRM600	.600 (15,2)
27LEDSRM620	.620 (15,7)

ITEM NUMBER	LENGTH
27LEDSRM650	.650 (16,5)
27LEDSRM700	.700 (17,7)
27LEDSRM750	.750 (19,0)
27LEDSRM800	.800 (20,3)
27LEDSRM850	.850 (21,5)
27LEDSRM900	.900 (22,8)
27LEDSRM925	.925 (23,4)

WIRE HANDLING HARDWARE

SECTION VII

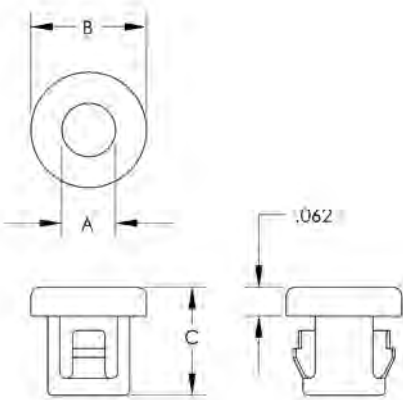
Micro Plastics' bushings provide economical protection for wire, cable tubing, and hose from sharp, uneven drilled or punched holes in sheet metal. The tough, resilient heat stabilized nylon bushings are easily and positively snapped into position without tools. The bushings are the economical solution to insulate wire, cables, etc. from raw edges in compact designs where internal clearances are critical. Miniature bushings accommodate panels up to 1/16" thickness and require only 1/8" clearance.



- * MATERIAL HEAT STABILIZED NYLON UL 94V2
- * TEMPERATURE INDEX 105 ° C
- * STOCKED IN STANDARD BLACK
- * COLORS AVAILABLE ON REQUEST



NOTE: +/- .015" TOLERANCES on B and C DIMENSIONS.



MINIATURE INSULATING BUSHINGS

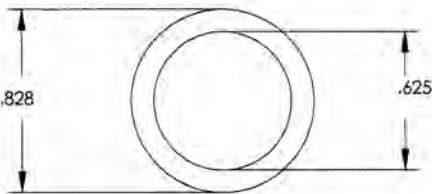
Molded in **Black Heat Stabilized Nylon UL 94V2**

PART NUMBER	INSIDE DIA. "A"	HEAD DIA. "B"	THICKNESS "C"	HOLE DIA. (PANEL)
22MP01010	.125 (3,2)	.250 (6,4)	.234 (6,2)	.187 (4,8)
22MP01015	.250 (6,4)	.375 (9,5)	.234 (6,2)	.312 (8,0)
22MP01017	.250 (6,4)	.437 (11,10)	.250 (6,4)	.375 (9,53)
22MP01020	.343 (8,8)	.531 (13,5)	.250 (6,4)	.468 (11,9)
22MP01030	.375 (9,5)	.562 (14,3)	.250 (6,4)	.500 (12,7)
22MP01040	.406 (10,3)	.593 (15,2)	.250 (6,4)	.531 (13,5)
22MP01050	.500 (12,7)	.703 (17,9)	.250 (6,4)	.625 (15,9)
22MP01060	.625 (16,0)	.828 (21,0)	.250 (6,4)	.750 (19,0)
22MP01070	.625 (16,0)	.859 (21,5)	.250 (6,4)	.781 (19,9)
22MP01080	.750 (19,0)	.937 (23,8)	.250 (6,4)	.875 (22,2)

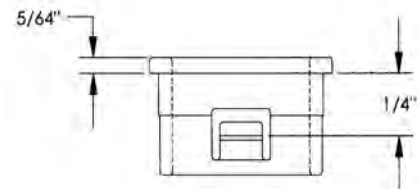
ALL ITEMS PACKAGED 1,000 PER BAG

STANDARD INSULATING BUSHING

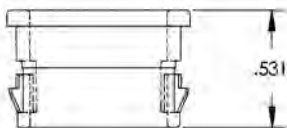
Molded in **Black Heat Stabilized Nylon UL 94V2**



NOTE:
HOLE DIAMETER - .750
MAXIMUM THICKNESS - .250



Packaged 1,000 pieces per bag



PART NUMBER

22MP07525

WIRE HANDLING HARDWARE

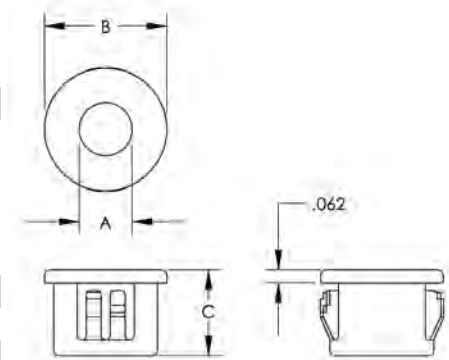
SECTION
VII

STANDARD INSULATING BUSHINGS

Molded in **Black Heat Stabilized Nylon UL 94V2**

These bushings are available in a large selection of sizes from 1/4" to 2" in various inside diameter openings. Standard bushings are designed with multiple locks to positively snap in panels ranging from 1/32" to 1/8" thickness. Standard bushings meet Underwriters Laboratories and Canadian Standards Association temperature and pull-out tests.

DESCRIPTION	PART DIMENSIONS				CHASSIS DIMENSIONS				
ITEM NUMBER	INSIDE DIA.	HEAD DIA.	THICKNESS	HOLE DIA.	MAXIMUM THK.				
* 22MP02502	.125 (3,2)	.312 (8,0)	.312 (8,0)	.250 (6,3)	.062 (1,6)				
* 22MP03123	.187 (4,8)	.375 (9,5)	.312 (8,0)	.312 (8,0)	.062 (1,6)				
* 22MP03753	.187 (4,8)	.468 (11,9)	.406 (10,3)	.375 (9,5)	.125 (3,2)				
* 22MP03754	.250 (6,3)	.468 (11,9)	.406 (10,3)	.375 (9,5)	.125 (3,2)				
* 22MP04374	.250 (6,3)	.531 (13,5)	.406 (10,3)	.437 (11,1)	.125 (3,2)				
* 22MP04375	.312 (8,0)	.531 (13,5)	.406 (10,3)	.437 (11,1)	.125 (3,2)				
* 22MP04376	.243 (6,2)	.531 (13,5)	.406 (10,3)	.437 (11,1)	.125 (3,2)				
* 22MP05004	.250 (6,3)	.578 (14,7)	.406 (10,3)	.500 (12,7)	.125 (3,2)				
* 22MP05005	.312 (8,0)	.578 (14,7)	.406 (10,3)	.500 (12,7)	.125 (3,2)				
* 22MP05006	.375 (9,5)	.578 (14,7)	.406 (10,3)	.500 (12,7)	.125 (3,2)				
* 22MP05625	.312 (8,0)	.656 (16,7)	.413 (10,4)	.562 (14,3)	.125 (3,2)				
* 22MP05626	.375 (9,5)	.656 (16,7)	.406 (10,3)	.562 (14,3)	.125 (3,2)				
* 22MP05627	.437 (11,1)	.656 (16,7)	.413 (10,4)	.562 (14,3)	.125 (3,2)				
* 22MP06254	.250 (6,3)	.718 (18,2)	.406 (10,3)	.625 (15,9)	.125 (3,2)				
* 22MP06257	.437 (11,1)	.718 (18,2)	.406 (10,3)	.625 (15,9)	.125 (3,2)				
* 22MP06258	.500 (12,7)	.718 (18,2)	.406 (10,3)	.625 (15,9)	.125 (3,2)				
* 22MP06878	.500 (12,7)	.781 (19,8)	.406 (10,3)	.687 (17,5)	.125 (3,2)				
* 22MP06879	.562 (14,3)	.781 (19,8)	.406 (10,3)	.687 (17,5)	.125 (3,2)				
* 22MP07506	.375 (9,5)	.843 (21,4)	.406 (10,3)	.750 (19,1)	.125 (3,2)				
* 22MP07508	.500 (12,7)	.843 (21,4)	.406 (10,3)	.750 (19,1)	.125 (3,2)				
* 22MP07509	.562 (14,3)	.843 (21,4)	.406 (10,3)	.750 (19,1)	.125 (3,2)				
* 22MP07510	.625 (15,9)	.843 (21,4)	.406 (10,3)	.750 (19,1)	.125 (3,2)				
* 22MP08109	.562 (14,3)	.890 (22,6)	.406 (10,3)	.812 (20,6)	.125 (3,2)				
* 22MP08110	.625 (15,9)	.890 (22,6)	.406 (10,3)	.812 (20,6)	.125 (3,2)				
** 22MP08706	.375 (9,5)	.953 (24,2)	.453 (11,5)	.875 (22,2)	.125 (3,2)				
** 22MP08707	.437 (11,1)	.953 (24,2)	.453 (11,5)	.875 (22,2)	.125 (3,2)				
** 22MP08708	.500 (12,7)	.953 (24,2)	.453 (11,5)	.875 (22,2)	.125 (3,2)				
** 22MP08709	.562 (14,3)	.953 (24,2)	.453 (11,5)	.875 (22,2)	.125 (3,2)				
** 22MP08710	.625 (15,9)	.953 (24,2)	.453 (11,5)	.875 (22,2)	.125 (3,2)				
** 22MP08711	.687 (17,4)	.953 (24,2)	.453 (11,5)	.875 (22,2)	.125 (3,2)				
** 22MP10012	.750 (19,0)	1.125 (28,6)	.453 (11,5)	1.000 (25,4)	.125 (3,2)				
** 22MP10913	.812 (20,6)	1.218 (30,9)	.453 (11,5)	1.093 (27,8)	.125 (3,2)				
** 22MP10914	.875 (22,2)	1.218 (30,9)	.453 (11,5)	1.093 (27,8)	.125 (3,2)				
** 22MP10915	.937 (23,8)	1.218 (30,9)	.453 (11,5)	1.093 (27,8)	.125 (3,2)				
*** 22MP11815	.937 (23,8)	1.312 (33,3)	.453 (11,5)	1.187 (30,2)	.125 (3,2)				
*** 22MP12515	.937 (23,8)	1.359 (34,5)	.453 (11,5)	1.250 (31,7)	.125 (3,2)				
*** 22MP13716	1.000 (25,4)	1.468 (37,3)	.453 (11,5)	1.375 (34,9)	.125 (3,2)				
*** 22MP15017	1.062 (27,0)	1.609 (40,9)	.453 (11,5)	1.500 (38,1)	.125 (3,2)				
*** 22MP15018	1.125 (28,5)	1.609 (40,9)	.453 (11,5)	1.500 (38,1)	.125 (3,2)				
*** 22MP15021	1.312 (33,3)	1.609 (40,9)	.453 (11,5)	1.509 (38,3)	.125 (3,2)				
*** 22MP17522	1.375 (34,9)	1.875 (47,6)	.453 (11,5)	1.750 (44,4)	.125 (3,2)				
*** 22MP20026	1.625 (41,2)	2.125 (54,0)	.453 (11,5)	2.000 (50,8)	.125 (3,2)				
**** 22MP22529	1.860 (47,24)	2.480 (62,9)	.720 (18,2)	2.250 (57,1)	.125 (3,2)				
**** 22MP25031	1.965 (49,9)	2.710 (68,8)	.725 (18,4)	2.500 (63,5)	.125 (3,2)				
**** 22MP30039	2.470 (62,7)	3.160 (80,2)	.720 (18,2)	3.000 (76,2)	.250 (6,3)				
**** 22MP33745	2.812 (71,4)	3.660 (92,9)	.720 (18,2)	3.375 (85,7)	.250 (6,3)				
**** 22MP35047	2.940 (74,6)	3.660 (92,9)	.720 (18,2)	3.500 (88,9)	.250 (6,3)				
**** 22MP40055	3.460 (87,8)	4.170 (105,9)	.720 (18,2)	4.000 (101,6)	.250 (6,3)				



* Minimum order quantity 1,000 pieces.

** Minimum order quantity 500 pieces.

*** Minimum order quantity 250 pieces.

**** Minimum order quantity 100 pieces.

***** Minimum order quantity 50 pieces.

WIRE HANDLING HARDWARE

SECTION VII

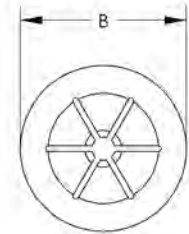
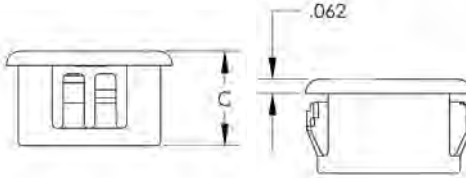


Micro Plastics' Nylon "ALL-FIT" Adjustable Bushings are designed to protect wire, cable, tubing or irregular shaped items from sharp, unfinished edges. The specially designed, resilient multiple supports, absorb shock and vibration, and adjust to accept various diameters and shapes. The All-Fit Bushing is equipped with multiple locks to positively snap in panel thicknesses ranging from 1/32" to 1/8".

ALL-FIT ADJUSTABLE BUSHINGS

Molded in **Black H.S. Nylon UL 94V2**

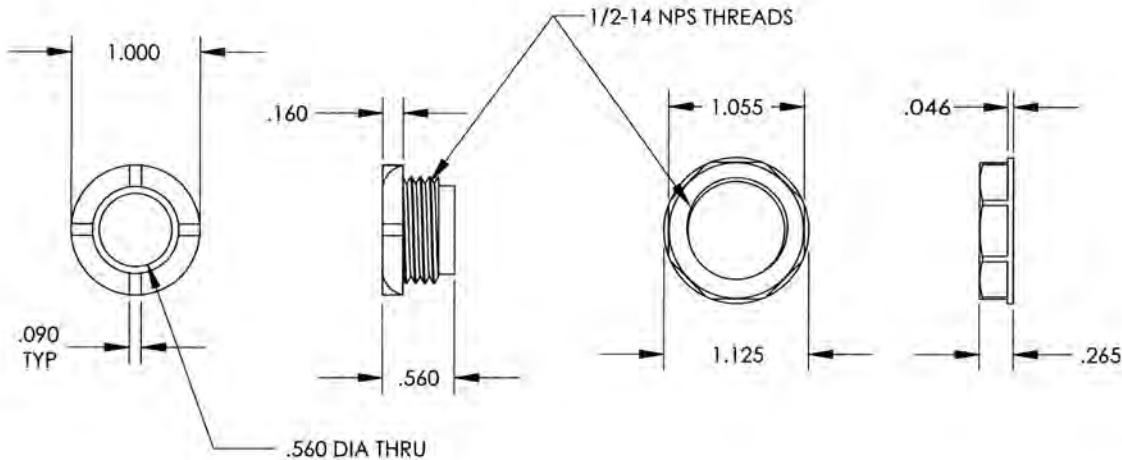
- * MATERIAL HEAT STABILIZED NYLON UL 94V2
- * TEMPERATURE INDEX 105 ° C
- * STOCKED IN STANDARD BLACK
- * WHITE AVAILABLE ON REQUEST



-----CHASSIS DIMENSIONS PART DIMENSIONS-----

ITEM NUMBER	HOLE DIA.	MAXIMUM THICKNESS	HEAD DIA. B	THICKNESS C	MAXIMUM I.D.
22AF0625	.625 (15,9)	.125 (3,2)	.718 (18,2)	.406 (10,3)	.437 (11,1)
22AF0750	.750 (19,0)	.125 (3,2)	.859 (21,8)	.390 (9,9)	.500 (12,7)
22AF0812	.812 (20,6)	.125 (3,2)	.890 (22,6)	.390 (9,9)	.500 (12,7)
22AF0875	.875 (22,2)	.125 (3,2)	.937 (23,8)	.453 (11,5)	.562 (14,2)
22AF1000	1.000 (25,4)	.125 (3,2)	1.062 (26,9)	.453 (11,5)	.750 (19,0)
22AF1093	1.093 (27,8)	.125 (3,2)	1.156 (29,3)	.453 (11,5)	.812 (20,6)
22AF1250	1.250 (31,75)	.125 (3,1)	1.360 (34,5)	.453 (11,5)	.875 (22,2)

MINIMUM ORDER QUANTITY 1,000 PIECES



Micro Plastics' two piece Nylon threaded bushings are designed to protect wiring, cables, or hoses from sharp or raw edges in a panel. Two piece Nylon threaded bushings are molded of black Nylon 6/6.

2 PC. THREADED BUSHING

Molded in **Black Nylon 6/6**

ITEM NUMBER	THICKNESS	-----NUT DIMENSIONS-----	
		WRENCHING FLATS	THREAD
04MP0500TB	17/64" (6,75)	1.055" (26,79)	1/2-14 NPS

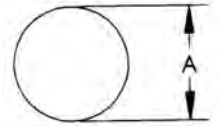
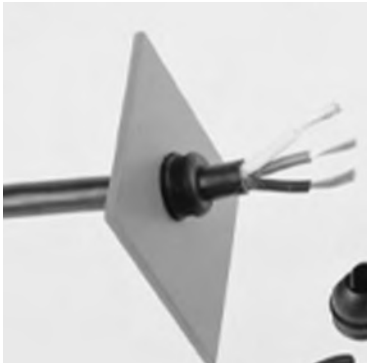


WIRE HANDLING HARDWARE

SECTION
VII

Micro Plastics' (Patented) "EZ" Strain Relief Bushing is designed to save money. This Strain Relief Bushing eliminates several costly and fatigue prone assembly steps. To install, the "EZ"

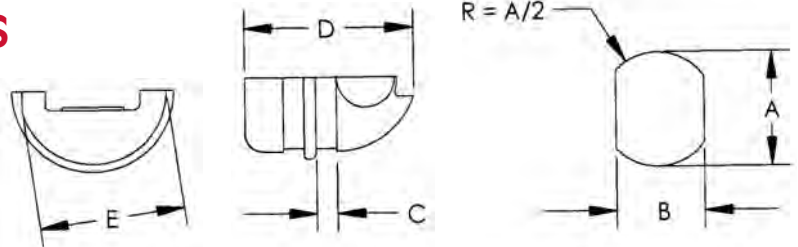
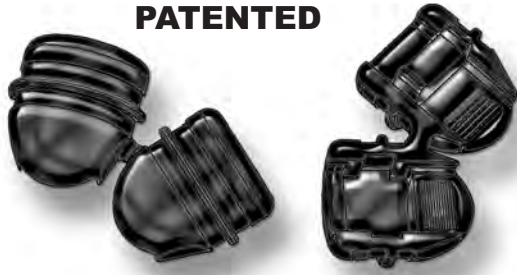
Bushing hinged halves are simply folded over the wire or cable. No special orientation or alignment is necessary! Conventional Strain Relief Pliers are applied to the specially designed gripped grooves and the bushing is inserted and locked in place in one smooth motion. The "EZ" Strain Relief Bushing design incorporates a bullet shaped, streamlined nose and does away with the large cumbersome straps that complicate the assembly of the conventional style bushing in confined areas. Micro Plastics' "EZ" Strain Relief Bushings securely anchor, absorb and protect cables and wires from push/pull and twist forces and insulate them from irregular or sharp panel edges. These tough nylon bushings meet all Underwriters Laboratories stringent pull-out and temperature specifications. Stock sizes in black H.S. Nylon, temperature index 105° Centigrade (U.L. rated 94V2). Micro Plastics can tool other sizes upon request.



"EZ" STRAIN RELIEF BUSHINGS

Molded in **Black H.S. Nylon UL 94V2**

PATENTED



***EASILY INSTALLED
*SECURE IN USE**

***COMPETITIVELY PRICED
*FULLY APPROVED**

-----DIMENSIONS----- MOUNTING HOLE -----BUSHINGS-----

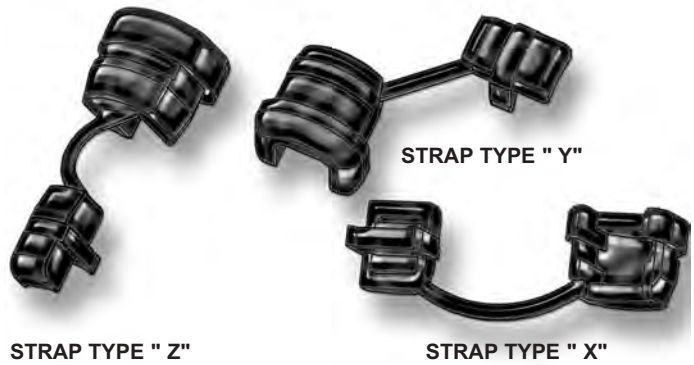
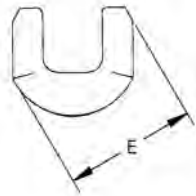
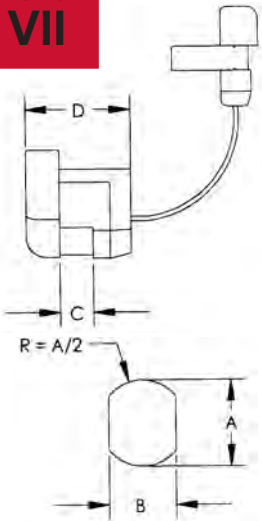
ITEM NUMBER	UL/CSA DESCRIPTION	CROSS SECTION	CABLE SIZE	CABLE TYPE	GAUGE (AWG)	DIAMETER A	FLATS B	MAX PANEL THICKNESS C	LENGTH D	WIDTH E
23MP04KEZS *	MP4KEZS	Flat	0.150 X 0.280 (3,8 X 7,1)	SPT	18/2	0.500 (12,7)	0.465 (11,8)	0.100 (2,5)	0.580 (14,7)	0.510 (12,9)
			0.150 X 0.280 (3,8 X 7,1)	SPT	16/2	0.500 (12,7)	0.465 (11,8)	0.100 (2,5)		
23MP04NEZH *	MP4NEZH	Flat	0.150 X 0.280 (3,8 X 7,1)	HPN	18/2	0.500 (12,7)	0.465 (11,8)	0.062 (1,6)	0.550 (14,0)	0.505 (12,8)
23MP04NEZS *	MP4NEZS	Flat	0.150 X .280 (3,8 X 7,1)	SPT	18/2	0.500 (12,7)	0.465 (11,8)	0.062 (1,6)	0.570 (14,4)	0.500 (12,7)
			0.160 X 0.300 (4,1 X 7,6)	SPT	16/2	0.500 (12,7)	0.465 (11,8)	0.062 (1,6)		
23MP06N34EZ *	MP6N34EZ	Round	0.300 (7,2)	SJT	16/3	0.625 (15,9)	0.550 (14,0)	0.062 (1,6)	0.655 (16,6)	0.585 (14,9)
			0.355 (9,0)	SJ	16/3	0.625 (15,9)	0.550 (14,0)	0.062 (1,6)		
			0.405 (10,2)	SJT	18/3	0.625 (15,9)	0.550 (14,0)	0.062 (1,6)		

*MINIMUM ORDER QUANTITY 1,000 PIECES. **MINIMUM ORDER QUANTITY 500 PIECES. ***MINIMUM ORDER QUANTITY 250 PIECES. ****MINIMUM ORDER QUANTITY 100



WIRE HANDLING HARDWARE

SECTION VII



STRAIN RELIEF BUSHINGS

Molded in **Black Heat Stabilized**

One piece Strain Relief Bushings securely anchor, absorb and protect cables and wires from push/pull and twist forces and insulate them from irregular or sharp panel edges. These tough nylon bushings meet all Underwriters Laboratories' stringent pull-out and temperature specifications. They are easily and quickly installed with Micro Plastics special installation pliers or other hand or production tools. Stock sizes in black H.S. Nylon, temperature index 105° Centigrade (U.L. rated 94V2). Micro Plastics can tool other sizes upon request.

DESCRIPTION

DIMENSIONS

MOUNTING HOLE -----BUSHINGS---

ITEM NUMBER	UL/CSA DESCRIPTION	CROSS SECTION	CABLE SIZE	CABLE TYPE	GAUGE (AWG)	STRAP TYPE	DIAMETER A	FLATS B	MAX PANEL THICKNESS C	LENGTH D	WIDTH E
23MP02M40 *	MP2M4	Round	0.156 X 0.187 (3,9 X 4,7)	AWN	14	"Y"	0.375 (9,5)	.0330 (8,4)	0.062 (1,6)	0.410 (10,4)	0.440 (11,1)
23MP02M50 *	MP2M5	Round	0.125 X 0.156 (3,2 X 3,9)	AWN	16	"Y"	0.400 (10,6)	0.330 (8,4)	0.062 (1,6)	0.410 (10,4)	0.432 (10,9)
23MP02L10 ● *	MP2L1	Flat	0.120 X 0.220 (3,0 X 3,9)	SPT-1	18/2	"Y"	0.375 (9,5)	0.330 (8,4)	0.125 (3,2)	0.410 (10,4)	0.420 (10,7)
23MP02P40 ● *	MP2P4	Flat	0.120X0,220 (3,0 X 5,6)	SPT-1	18/2	"Y"	.0375 (9,5)	0.330 (8,4)	0.062 (1,6)	0.410 (10,4)	0.420 (10,7)
23MP03P40 *	MP3P4	Flat	0.120 X 0.220 (3,0 X 5,6)	SP-1 SPT-1	18/2 18/2	"Y"	0.437 (11,1)	0.390 (9,9)	0.062 (1,6)	0.405 (10,2)	0.484 (12,3)
23MP04K10 *	MP4K1	Flat	0.150 X 0.400 (3,8 X 10,1) 0.160 X 0.300 (4,1 X 7,6) 0.160 X 0.300 (4,1 X 7,6) 0.150 X 0.280 (3,8 X 7,1) 0.150 X 0.280 (3,8 X 7,1)	SPT-2 HPN SPT-2 HPN SPT-2	18/3 16/2 16/2 18/2 18/2	"Y"	0.500 (12,7)	0.460 (11,7)	0.095 (2,4)	0.495 (12,6)	0.565 (14,4)
23MP04K1Z *	MP4K1Z	Flat	0.150 X 0.400 (3,8 X 10,1) 0.160 X 0.300 (4,1 X 7,6) 0.160 X 0.300 (4,1 X 7,6) 0.150 X 0.280 (3,8 X 7,1) 0.150 X 0.280 (3,8 X 7,1)	SPT-2 HPN SPT-2 HPN SPT-2	18/3 16/2 16/2 18/2 18/2	"Z"	0.500 (12,7)	0.460 (11,7)	0.095 (2,4)	0.495 (12,6)	0.565 (14,4)
23MP04L10	MP4L10	Flat	0.150 X 0.400 (3,8 X 10,1) 0.160 X 0.300 (4,1 X 7,6) 0.160 X 0.300 (4,1 X 7,6) 0.150 X 0.280 (3,8 X 7,1) 0.150 X 0.280 (3,8 X 7,1)	SPT-1 HPN SPT-2 HPN SPT-2	18/3 16/2 16/2 18/2 18/2	"Z"	0.525 (13,3)	0.460 (11,7)	0.187 (4,7)	0.495 (12,6)	0.565 (14,4)

*MINIMUM ORDER QUANTITY 1,000 PIECES. **MINIMUM ORDER QUANTITY 500 PIECES. ***MINIMUM ORDER QUANTITY 250 PIECES. ****MINIMUM ORDER QUANTITY 100 PIECES.

● NOT U.L. RECOGNIZED



WIRE HANDLING HARDWARE

SECTION
VII

STRAIN RELIEF BUSHINGS

Molded in **Black Heat Stabilized**

DESCRIPTION -----DIMENSIONS-----
MOUNTING HOLE -----BUSHINGS---

ITEM NUMBER	UL/CSA DESCRIPTION	CROSS SECTION	CABLE SIZE	CABLE TYPE	GAUGE (AWG)	STRAP TYPE	DIAMETER A	FLATS B	MAX PANEL THICKNESS C	LENGTH D	WIDTH E
23MP04K40*	MP4K4	Flat	0.120 X 0.300 (3,0 X 7,6)	SPT-2 HPN	18/2 18/2	"Y"	0.500 (12,7)	0.465 (11,8)	0.100 (2,5)	0.406 (10,3)	0.565 (14,3)
23MP04L40*	MP4L4	Flat	0.120 X 0.300 (3,0 X 7,6)	SPT-1 SPT-2 HPN	18/3 18/2 18/2	"Y"	0.500 (12,7)	0.465 (11,8)	0.156 (3,9)	0.406 (10,3)	0.578 (14,7)
23MP04N40*	MP4N4	Flat	0.120 X 0.300 (3,0 X 7,6)	SPT-2 HPN	18/2 18/2	"Y"	0.500 (12,7)	0.465 (11,8)	0.062 (1,6)	0.406 (10,3)	0.578 (14,7)
23MP04J40*	MP4J4	Flat	0.120 X 0.300 (3,0 X 7,6)	SPT-1 SPT-2 HPN	18/3 18/2 18/2	"Y"	0.500 (12,7)	0.465 (11,8)	0.032 (0,8)	0.406 (10,3)	0.578 (14,7)
23MP05K40*	MP5K4	Flat	0.150 x .400 (3,8 x 10,1)	SPT-2	16/2	"Y"	0.562 (14,3)	0.530 (13,5)	0.125 (3,2)	0.609 (15,5)	0.625 (15,9)
23MP05KN4*	MP5KN4	Flat	0.150 x 0.400 (3,8 x 10,1) 0.160 x 0.300 (4,1 x 7,6)	SPT-2 SPT-2	18/3 16/2	"Y" "Y"	0.562 (14,3)	0.530 (13,5)	0.062 (1,6)	0.609 (15,5)	0.625 (15,9)
23MP05N40*	MP5N4	Round	0.250 (6,4) 0.255 (6,5) 0.290 (7,4)	SV SVT SV SVT HPD	18/2 18/2 18/3 18/3 16/2	"Y"	0.500 (12,7) 0.500 X 0.515 (12,7 X 13,1) 0.500 X 0.515 (12,7 X 13,1)	0.450 (11,4)	0.062 (1,6)	0.448 (11,3)	0.578 (14,7)
23MP05P40*	MP5P4	Round	0.250 (6,4) 0.255 (6,5) 0.290 (7,4)	SV SVT SV SVT HPD	18/2 18/2 18/3 18/3 16/2	"Y"	0.500 (12,7) 0.500 X 0.515 (12,7 X 13,1) 0.500 X 0.515 (12,7 X 13,1)	0.450 (11,4)	0.100 (2,5)	0.448 (11,3)	0.578 (14,7)
23MP05W10*	MP5W1	Flat	0.120 x 0.300 (3,0 x 7,6) 0.160 x 0.300 (4,1 x 7,6) 0.160 x 0.410 (4,1 x 10,4) 0.160 x 0.370 (4,1 x 9,4)	SPT-2 SPT-2 SPT-2 HPN	18/3 16/2 16/3 16/3	"Y"	0.562 (14,3)	0.530 (13,5)	0.125 (3,2)	0.609 (15,5)	0.625 (15,9)
23MP06N34*	MP6N34	Round	0.355 (9,0) 0.405 (10,2) 0.430 (10,9)	SJ SJT SJT	16/3 18/3 16/3	"Y"	0.650 (16,5)	0.550 (14,0)	0.062 (1,6)	0.595 (15,1)	0.703 (17,9)
23MP06N35*	MP6N35	Round	0.390 (9,9) 0.390 (9,9) 0.405 (10,3) .405 (10,3) 0.390 (9,9)	SJO SJ SJT SJO SJT	18/2 18/2 16/2 18/2 18/2	"Y"	0.625 (15,9)	0.550 (14,0)	0.062 (1,6)	0.580 (14,7)	0.703 (17,9)
23MP06N40**	MP6N4	Round	0.300 (7,2)	SJT SJO	18/2 18/2	"Y"	0.625 (15,9)	0.550 (14,0)	0.062 (1,6)	0.585 (14,8)	0.703 (17,9)
23MP06N44**	MP6N44	Flat	0.120 X 0.300 (3,0 X 7,6)	SPT-1	18/3	"Y"	0.625 (15,9)	0.570 (14,4)	0.062 (1,6)	0.600 (15,2)	0.690 (17,5)

*MINIMUM ORDER QUANTITY 1,000 PIECES. **MINIMUM ORDER QUANTITY 500 PIECES. ***MINIMUM ORDER QUANTITY 250 PIECES. ****MINIMUM ORDER QUANTITY 100 PIECES.

● NOT U.L. RECOGNIZED



WIRE HANDLING HARDWARE

SECTION VII

STRAIN RELIEF BUSHINGS

Molded in **Black Heat Stabilized**

DESCRIPTION -----DIMENSIONS-----

MOUNTING HOLE -----BUSHINGS---

ITEM NUMBER	UL/CSA DESCRIPTION	CROSS SECTION	CABLE SIZE	CABLE TYPE	GAUGE (AWG)	STRAP TYPE	DIAMETER A	FLATS B	MAX PANEL THICKNESS C	LENGTH D	WIDTH E
23MP06N45 **	MP6N45	Flat	0.120 X 0.300 (3,0 X 7,6)	SPT-1	18/3	"Y"	0.625 (15,9)	0.545 (13,8)	0.032 (0,8)	0.590 (14,9)	0.690 (17,5)
23MP06P34 **	MP6P34	Round	0.325 - 0.360 (8,3 - 9,1)	SJ SJT SJO	18/3 16/3, 18/3 18/3	"Y"	0.625 (15,9)	0.550 (14,0)	0.125 (3,2)	0.580 (14,7)	0.703 (17,9)
23MP06P35 **	MP6P35	Round	0.325 - 0.360 (8,3 - 9,1)	SJ SJT SJO	18/2,18/3,16/2 16/2,18/2 18/2,16,2,18/3	"Y"	0.625 (15,9)	0.550 (14,0)	0.125 (3,2)	0.580 (14,7)	0.703 (17,9)
23MP06L10 **	MP6L1	Round	0.325 - 0.360 (8,3 - 9,1)	SJ SJT SJO	18/2,18/3 16/2,16/3	"Z"	0.625 (15,9)	0.550 (14,0)	0.125 (3,2)	0.666 (16,9)	0.725 (18,4)
23MP06P40 **	MP6P4	Round	0.300 (7,6)	SJ SJT SJO	18/2 18/2 18/2	"Y"	0.625 (15,9)	0.550 (14,0)	0.125 (3,2)	0.590 (14,9)	0.703 (17,9)
23MP06W10 *	MP6W1	Round	0.300 (7,6)	SJ SJT SJO	18/2 18/2 18/2	"Y"	0.500 (12,7)	0.465 (11,8)	0.090 (2,3)	0.437 (11,1)	0.563 (14,3)
23MP07K20 ***	MP7K2	Round	0.325 X 0.360 (8,3 X 9,1)	SJ SJT SJO	18/4,16/2,16/3,14/2, 18/3,16/3 14/2,16/3,18/4	"Z"	0.875 (22,2)	0.770 (19,6)	0.125 (3,2)	0.755 (19,1)	0.922 (23,4)
23MP07P20 **	MP7P2	Round	0.360 (9,1) 0.370 (9,4) 0.405 (10,3) 0.430 (10,9) 0.405 (10,3) 0.430 (10,9) 0.405 (10,3) 0.390 (9,9) 0.390 (9,9) 0.405 (10,3)	SJTO SJT S S STO STO S S STO	18/4 14/3 18/3 16/3 18/3 16/3 16/2 18/2 18/2 16/2	"X"	0.750 (19,0)	0.660 (16,8)	0.125 (3,2)	0.745 (18,9)	0.830 (21,0)
23MP07K30 ***	MP7K3	Round	0.325 - 0.360 (8,3 - 9,1)	SJ SJT SJO	18/3,16/2 16/2 18/3,16/2	"Z"	0.875 (22,2)	0.770 (19,6)	0.125 (3,2)	0.750 (19,1)	0.922 (23,4)
23MP07P30 **	MP7P3	Flat	0.160 X 0.410 (4,1 X 10,4)	SPT-2	16/3	"Z"	0.736 (18,7)	0.657 (16,7)	0.125 (3,2)	0.590 (14,9)	0.785 (19,9)
23MP07W20 ***	MP7W2	Round	0.370 - 0.425 (9,4 - 10,8) 0.390 - 0.430 (9,9 - 10,9)	SJT S STO	14/3 12/3 18/3,16/3 16/2,16,3,18/3	"Z"	0.875 (22,2)	0.770 (19,6)	0.125 (3,2)	0.760 (19,3)	0.922 (23,4)
23MP08P20 ***	MP8P2	Round	0.530 - 0.600 (13,5 - 15,2)	S ST	14/2,14/3 12/2	"Z"	0.875 (22,2)	0.840 (21,3)	0.125 (3,2)	0.812 (20,6)	0.922 (23,4)
23MP09P20 ****	MP9P2	Round	0.570 (14,4) 0.640 (16,3) 0.650 (16,5) 0.700 (17,7)	S S S	12/3 10/2	"Z"	1.093 (27,7) 1.125 (28,5) 1.093 (27,7) 1.187 (30,1)	1.000 (25,4) 1.000 (25,4) 1.000 (25,4)	0.281 (7,1) 0.281 (7,1) 0.281 (7,1)	0.990 (25,1) 0.990 (25,1) 0.990 (25,1)	1.215 (30,8) 1.215 (30,8) 1.215 (30,8) 1.215 (30,8)

*MINIMUM ORDER QUANTITY 1,000 PIECES. **MINIMUM ORDER QUANTITY 500 PIECES. ***MINIMUM ORDER QUANTITY 250 PIECES. ****MINIMUM ORDER QUANTITY 100 PIECES.

● NOT U.L. RECOGNIZED



WIRE HANDLING HARDWARE

SECTION
VII

STRAIN RELIEF BUSHINGS

Molded in **Black Heat Stabilized**

ITEM NUMBER	UL/CSA DESCRIPTION	CROSS SECTION	CABLE SIZE	CABLE TYPE	GAUGE (AWG)	STRAP TYPE	DIMENSIONS				
							DIAMETER A	FLATS B	MAX PANEL THICKNESS C	LENGTH D	WIDTH E
23MP30-10 ***	MP30-1	Flat	0.160 X 0.410 (4,1 X 10,4)	SPT-2	16/3	"Z"	0.560 (14,2)	0.730 (18,5)	0.125 (3,2)	0.670 (17,0)	0.750 (19,6)
			0.120 X 0.300 (3,0 X 7,6)	SPT-1							
23MP03020 *	MP302	Flat	0.150 X 0.400 (32,8 X 10,1)	SPT-2	18/3	"Z"	0.625 X 0.375 (15,9 X 9,5)	0.625 (15,9)	0.100 (2,5)	0.460 (11,6)	0.660 (16,7)
			0.160 X 0.410 (4,1 X 10,4)	SPT-2			0.625 X 0.375 (15,9 X 9,5)	0.625 (15,9)	0.100 (2,5)	0.460 (11,6)	0.660 (16,7)
			0.320 X 0.650 (8,1 X 16,5)	SPT-3			0.625 X 0.375 (15,9 X 9,5)	0.625 (15,9)	0.100 (2,5)	0.460 (11,6)	0.660 (16,7)
23MP31-20 ***	MP31-2	Flat	0.180 X 0.425 (4,5 X 10,8)	SJT	12/3	"Z"	0.875 (22,2)	0.840 (21,3)	0.125 (3,2)	0.812 (20,6)	0.922 (23,4)
		Round	0.425 - 0.475 (10,8 - 12,1)	SPT-3	12/3						
23MP33-10 **	MP33-10	Flat	0.245 X 0.425 (6,2 X 10,8)	SPT-3	16/3	"Z"	0.750 X 0.875 (19,1 X 22,2)	0.875 (22,2)	0.125 (3,2)	0.770 (19,5)	0.895 (22,7)
			0.240 X 0.420 (6,1 X 10,6)	SPT-3	14/2	0.750 X 0.875 (19,1 X 22,2)	0.875 (22,2)	0.125 (3,2)	0.770 (19,5)	0.895 (22,7)	
			0.240 X 0.525 (6,1 X 13,3)	HPN	14/3	0.750 X 0.875 (19,1 X 22,2)	0.875 (22,2)	0.125 (3,2)	0.770 (19,5)	0.895 (22,7)	
23MP34-2X ***	MP34-2X	Flat	0.240 X 0.420 (6,1 X 10,7)	SPT-3	14/3	"X"	0.875 (22,2)	0.840 (21,3)	0.125 (3,2)	0.812 (20,6)	0.905 (22,9)
			0.290 X 0.650 (7,4 X 16,5)		12/3						

90° ANGLE STRAIN RELIEF BUSHINGS

Molded in **Black Heat Stabilized Nylon**

23MP13L101 ●	MP13L1	Flat	0.120 X 0.220 (3,0 X 5,6)	SPT-1	18/2	"Z"	0.437 (11,1)	0.390 (9,9)	0.062 (1,6)	0.500 (12,7)	0.510 (12,9)
23MP14L10	MP14L1	Flat	0.150 X 0.280 (3,8 X 7,1)	SPT-2	18/2,16/2	"Z"	0.500 (12,7)	0.450 (11,4)	0.100 (2,5)	0.687 (17,5)	0.550 (13,9)
			0.160 X 0.300 (4,1 X 7,6)	HPN	16/2						
23MP15L10 *	MP15L1	Round	0.250 X 0.265 (6,4 X 6,7)	SV	8/2,18/3	"Z"	0.500 (12,7)	0.450 (11,4)	0.100 (2,5)	0.687 (17,5)	0.562 (14,3)
23MP16L10 **	MP16L1	Flat	.150 X .400 (3/8) X (10,2)	SP-2	18/3	"Z"	0.562 (14,3)	0.525 (13,3)	.125 (3,2)	7/8 (22,2)	5/8 (15,9)
			.160 X .370 (4,1) X (9,4)	HPN	16/3						
			.190 X .350 (4,8) X (8,9)	SPT-3	18/2						
			.200 X .370 (5,1 X (9,4)		16/2						

*MINIMUM ORDER QUANTITY 1,000 PIECES. **MINIMUM ORDER QUANTITY 500 PIECES. ***MINIMUM ORDER QUANTITY 250 PIECES. ****MINIMUM ORDER QUANTITY 100 PIECES.

● NOT U.L. RECOGNIZED



WIRE HANDLING HARDWARE

SECTION VII

STRAIN RELIEF INSTALLATION TOOLS

STANDARD

ITEM NUMBER
23MPT0100

Micro Plastics' Standard adjustable Strain Relief Assembly Pliers. An indispensable tool for fast, accurate assembly of bushings.



ERGONOMIC

ITEM NUMBER
23MPET0100

Micro Plastics' Adjustable **Ergonomic** Strain Relief Tool has been carefully designed to help reduce wrist fatigue associated with bushing installation. The handles are preset to a specified angle, allowing the hand and wrist of the operator to naturally align during normal use. This tool is fully adjustable and will install all sizes of Micro Plastics' strain relief bushings.



PNEUMATIC

ITEM NUMBER
23PMPT0100

Micro Plastics' **Pneumatic** Strain Relief Installation Tool is designed to aid in rapid assembly of strain relief bushings. The easy finger tip actuation of this air tool greatly lessens the gripping power necessary to install bushings and reduces hand and wrist fatigue generated during moderate to high volume manufacturing. The tool operates on standard shop air from 50 to 90 PSI. Low weight, only 24 ounces. Tools are configured prior to shipping. For specific sizes, please specify strain relief bushing sizes to be installed when ordering.

45° REPLACEMENT JAW SET

ITEM NUMBER	STRAIN RELIEF HOLE SIZE
23PMPTJAW500	.500 DIA.
23PMPTJAW625	.625 DIA.
23PMPTJAW750	.750 DIA.

NOT AVAILABLE FOR
HOLE SIZES LARGER THAN 3/4" DIAMETER



PNEUMATIC ERGONOMIC

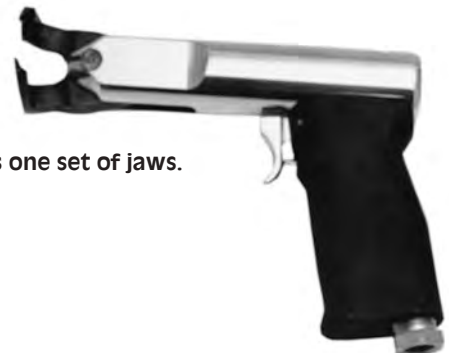
ITEM NUMBER
23PMPET0100

Micro Plastics' **Pneumatic-Ergonomic** Strain Relief Installation Tool has been carefully designed to help reduce the wrist fatigue associated with the rapid assembly of strain relief bushings. The easy trigger-type actuation of this air tool, in combination with the ergonomic angle of the hand grip, allow natural alignment of wrist and hand during normal bushing installation. The tool operates on standard shop air from 50-90 PSI. Lightweight, only 18 ounces. Tools are configured prior to shipping. Please specify strain relief bushing sizes to be installed when ordering.

90° REPLACEMENT JAW SET

ITEM NUMBER	STRAIN RELIEF HOLE SIZE
23PMPETJAW500	.500 DIA.
23PMPETJAW625	.625 DIA.

NOT AVAILABLE FOR
HOLE SIZES LARGER THAN 5/8" DIAMETER

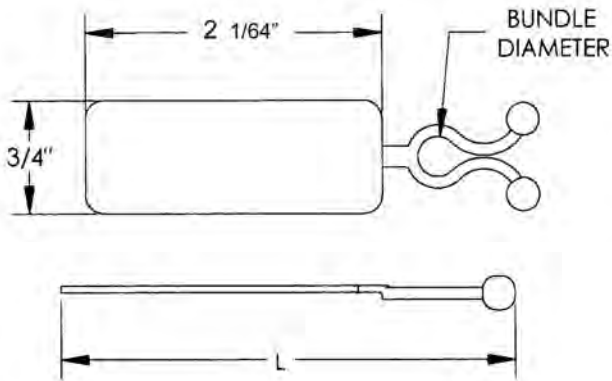


NOTE: Installation tool includes one set of jaws.

WIRE HANDLING HARDWARE

SECTION
VII

Nylon "EZ" twist lock with integral label area for writing. Permanent ink pens, felt tip pens, pressure-sensitive adhesive labels, or even Post-it® notes can be used on polished label area.



LABEL TWIST LOCK

Molded in **Natural Nylon 6/6**

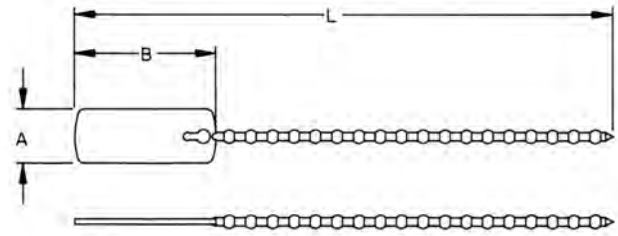
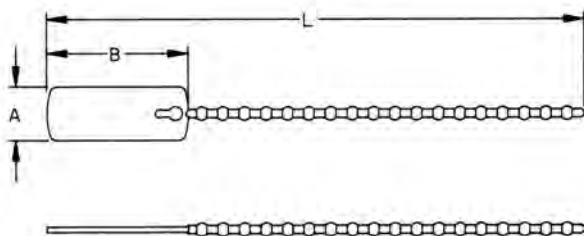
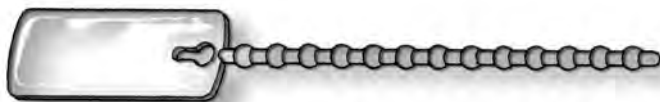
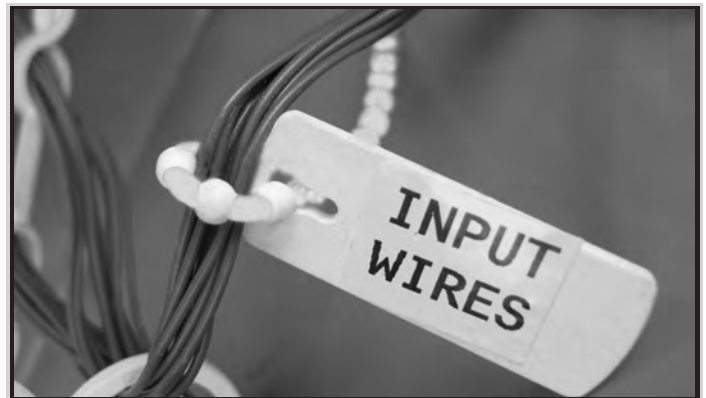
ITEM NUMBER	BUNDLE DIAMETER	L
23EZLB0250	1/4" (6,35)	3-3/32 (78,59)
23EZLB0375	3/8" (9,53)	3-9/32 (83,34)



LABEL BEADED TIE

Molded in **Natural Nylon 6/6**

Nylon beaded tie with integral label area for writing. Permanent ink pens, felt tip pens, pressure-sensitive adhesive labels, or even Post-it® notes can be used on polished label area. The "LP" pointed version can be used to pierce thin materials. The "LB" version has a blunt tip for general use.



"LB" VERSION

ITEM NUMBER	A- WIDTH	B-LENGTH	L-OVERALL LENGTH
23LB0400N	1/2" (12,7)	1-5/16" (33,32)	4"
23LB0600N	1/2" (12,7)	1-5/16" (33,32)	6"

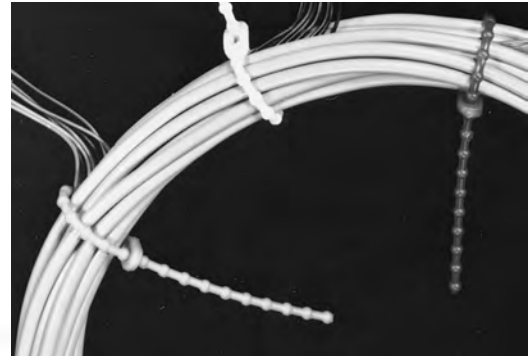
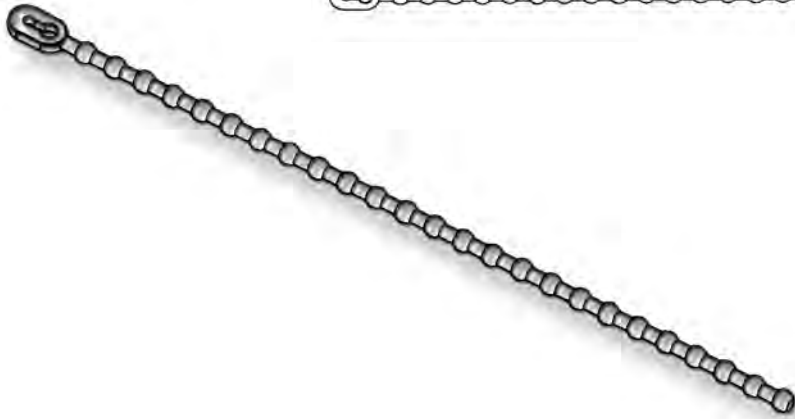
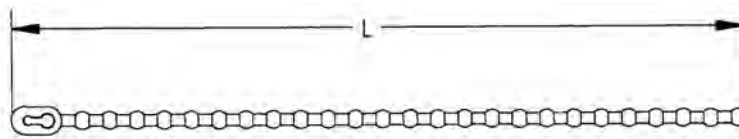
"LP" VERSION

ITEM NUMBER	A- WIDTH	B-LENGTH	L-OVERALL LENGTH
23LP0400N	1/2" (12,7)	1-5/16" (33,32)	4"
23LP0600N	1/2" (12,7)	1-5/16" (33,32)	6"

® Registered trade mark of the 3M Corporation.

WIRE HANDLING HARDWARE

SECTION VII



Micro Plastics' Beaded Ties provide economical temporary or permanent bundling, harnessing, tagging and identification marking. Beaded Ties smooth, rounded configuration eliminates damage to wire and cable insulation. No tools are necessary. Ties can be disassembled and reused. Special colors are available upon request.

BEADED TIES

Molded in Natural Nylon 6/6

ITEM NUMBER	DESCRIPTION	LENGTH
230425N	425 N	4 1/4 (108)
230600N	600 N	6 (152)
230800N	800 N	8 (203)
231000N	1000 N	10 (254)

BEADED TIES

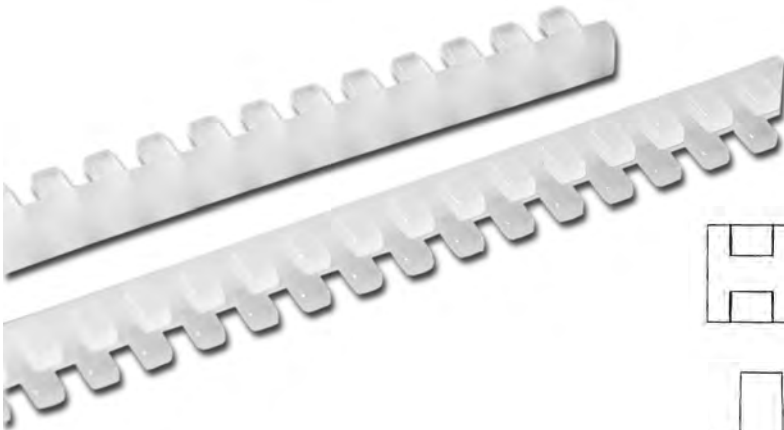
Molded in Natural Polyethylene

ITEM NUMBER	DESCRIPTION	LENGTH
230425P	425 P	4 1/4 (108)
230600P	600 P	6 (152)
230800P	800 P	8 (203)
231000P	1000 P	10 (254)

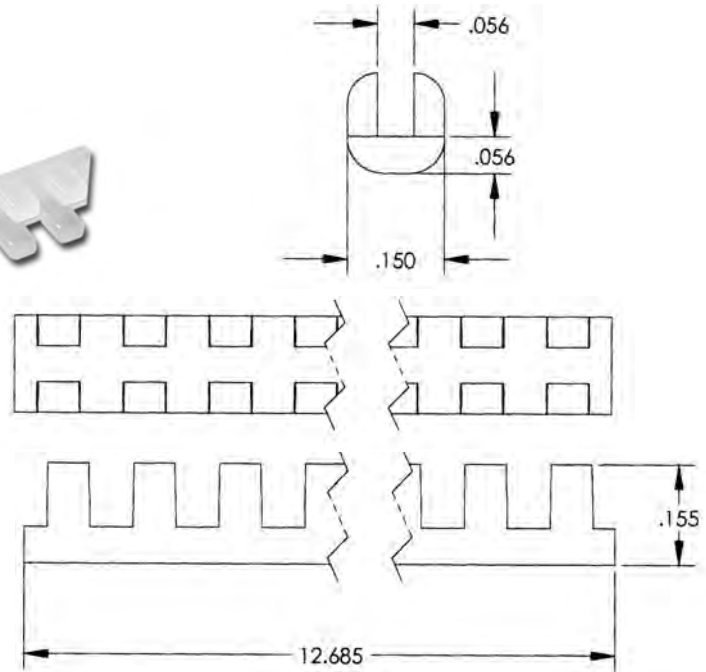
10" HEAVY DUTY POLYETHYLENE BEADED TIES ARE MOLDED IN UV RESISTANT YELLOW

MOLDED GROMMETING

Molded in Natural Nylon 6/6



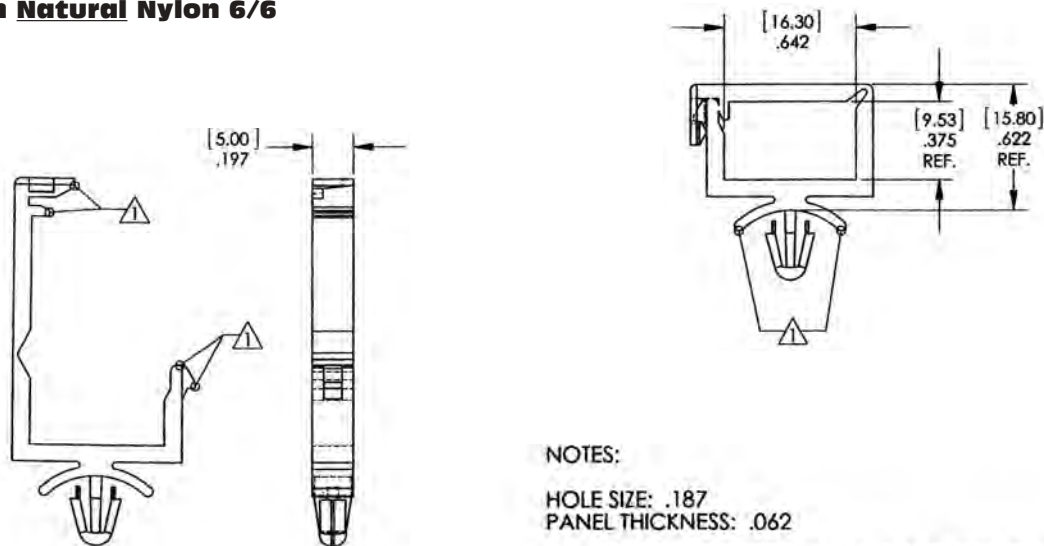
Molded Grommeting is used to protect wires and tubing from sharp panel edges and knock outs. The flexible grommeting can be used for round, square or irregular shaped panel holes.



ITEM NUMBER	OA WIDTH	SLOT WIDTH	OA HEIGHT	WALL THK.	PANEL THICKNESS	LENGTH
22MG052155	.150 (3,81)	.056 (1,42)	.155 (3,94)	.056 (1,42)	.015 - .052 (0,38-1,32)	12.685 (322,20)

LOCKING WIRE SADDLE

Molded in **Natural Nylon 6/6**



NOTES:

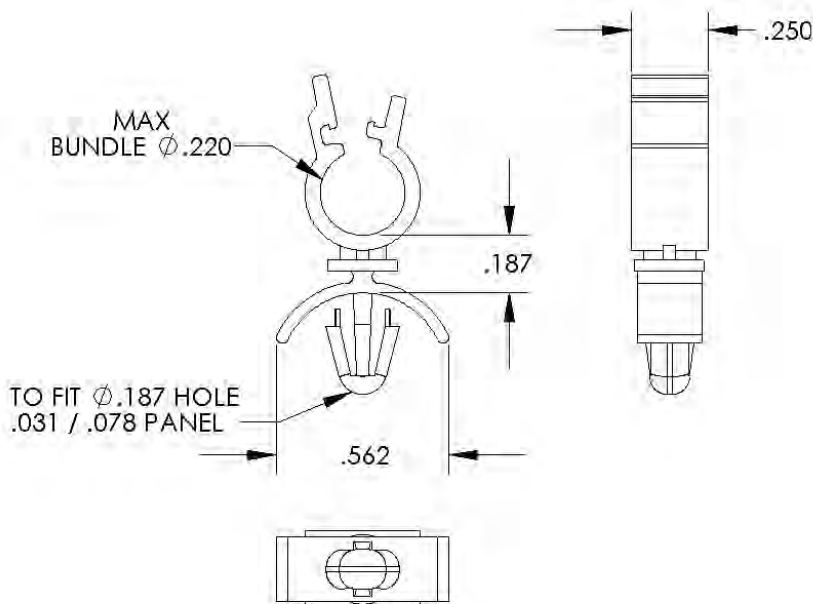
HOLE SIZE: .187
PANEL THICKNESS: .062

1. MAY HAVE SHORTS AND/OR BURNING IN THESE AREAS

ITEM NUMBER
22LWC390640

LOCK CLIP

Molded in **Natural Nylon 6/6**



ITEM NUMBER
22SOLC0187

WIRE HANDLING HARDWARE

SECTION VII

Spiral Wrap is an ideal covering used to bundle and protect tubing, wires and other types of conductors. Spiral wrap can be used on virtually any item with a diameter of 1/16" to 7". Polyethylene Natural Spiral Wrap is a lightweight low cost material that is good for general indoor applications. Polyethylene is not affected by ordinary solvents and is resistant to abrasion.

Polyethylene spiral wrap is easy to install, either during production or after final assembly. Ultra Violet UV Resistant Black Spiral Wrap is designed for outdoor use. Black UV Resistant Spiral Wrap has all of the fine qualities of Natural Spiral Wrap with the additional advantage of containing an ultraviolet absorber. Black UV Resistant Spiral Wrap will withstand direct sunlight for long periods of time.



MINIMUM ORDER 100'
SOLD IN MULTIPLES OF 100'

NATURAL SPIRAL WRAP

Molded in Natural Polyethylene

ITEM NUMBER	O.D.	WALL THICKNESS	BUNDLE RANGE
22SPW12NA	1/8"	.032	1/16" to 1/4"
22SPW24NA	1/4"	.035	3/16" to 2"
22SPW25NA	1/4"	.040	3/16" to 2"
22SPW36NA	3/8"	.040	3/16" to 2"
22SPW37NA	3/8"	.052	5/16" to 3"
22SPW38NA	3/8"	.062	5/16" to 3"
22SPW48NA	1/2"	.030	3/8" to 3"
22SPW49NA	1/2"	.040	3/8" to 4"
22SPW50NA	1/2"	.062	3/8" to 4"
22SPW62NA	5/8"	.062	5/8" to 4 1/2"
22SPW75NA	3/4"	.065	3/4" to 5"
22SPW10NA	1"	.070	1" to 7"
22SPW11NA	1"	.095	1" to 7"

BLACK SPIRAL WRAP

Molded in Black UV Resistant Polyethylene

ITEM NUMBER	O.D.	WALL THICKNESS	BUNDLE RANGE
22SPW12BK	1/8"	.032	1/16" to 1/4"
22SPW24BK	1/4"	.035	3/16" to 2"
22SPW25BK	1/4"	.040	3/16" to 2"
22SPW36BK	3/8"	.040	5/16" to 3"
22SPW37BK	3/8"	.052	5/16" to 3"
22SPW38BK	3/8"	.062	5/16" to 3"
22SPW48BK	1/2"	.030	3/8" to 3"
22SPW49BK	1/2"	.040	3/8" to 4"
22SPW50BK	1/2"	.062	3/8" to 4"
22SPW62BK	5/8"	.062	5/8" to 4 1/2"
22SPW75BK	3/4"	.065	3/4" to 5"
22SPW10BK	1"	.070	1" to 7"
22SPW11BK	1"	.095	1" to 7"

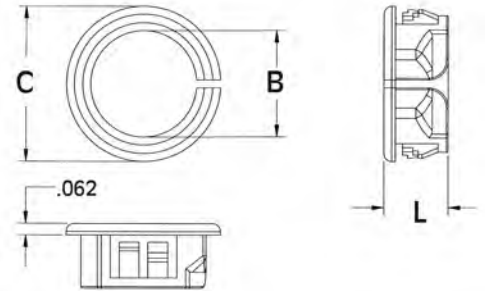
WIRE HANDLING HARDWARE

SECTION
VII

OPEN/CLOSE BUSHINGS

Molded in **Black Nylon 6/6**

- Protect wire cable tubing and hose from sharp, uneven drilled or punched holes in sheet metal.
- For 1/32" - 0.8mm to 1/8" - 3.2mm chassis thickness.
- Finger-tip pressure to install. No tool is needed.
- Can be applied after power cable has been installed.
- Part is UL approved.

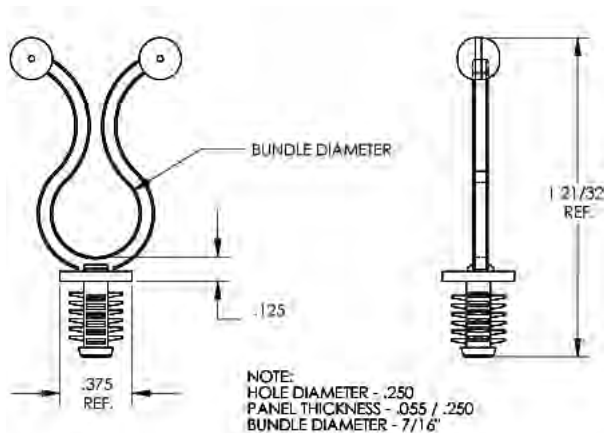


PARTS ARE PACKAGED 100 PIECES PER BAG • PURCHASE IN PACKAGED QUANTITIES ONLY

ITEM NUMBER	MOUNTING HOLE		B		C		L		PACKAGING
NM22OCB0375	3/8"	9.5mm	.264"	6.7mm	.484"	12.3mm	.406"	10.3mm	100 pcs
NM22OCB0500	1/2"	12.7mm	.315"	8.0mm	.610"	15.5mm	.406"	10.3mm	100 pcs
NM22OCB0625	5/8"	15.9mm	.453"	11.5mm	.736"	18.7mm	.406"	10.3mm	100 pcs
NM22OCB0750	3/4"	18.9mm	.516"	13.1mm	.846"	21.5mm	.406"	10.3mm	100 pcs
NM22OCB0875	7/8"	22.2mm	.669"	17.0mm	.976"	24.8mm	.406"	10.3mm	100 pcs
NM22OCB1000	1"	25.4mm	.795"	20.2mm	1.103"	28.0mm	.406"	10.3mm	100 pcs

"EZ" TWIST LOCK SUPPORT

Molded in **Natural Nylon 6/6**

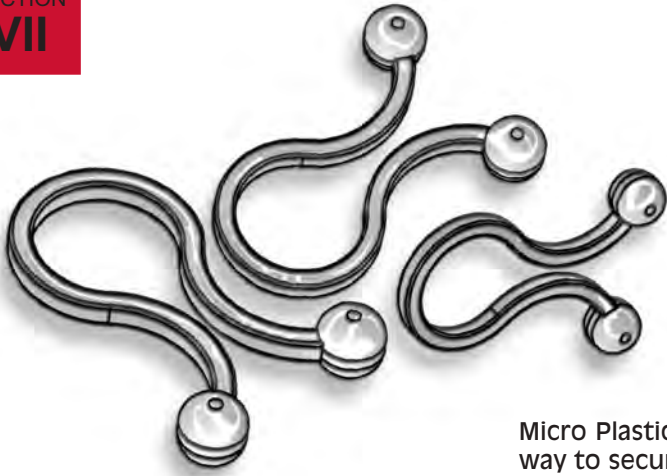


ITEM NUMBER

23EZF044C012

WIRE HANDLING HARDWARE

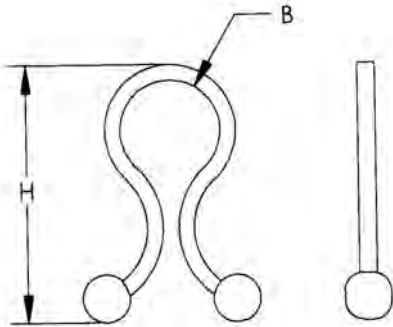
SECTION VII



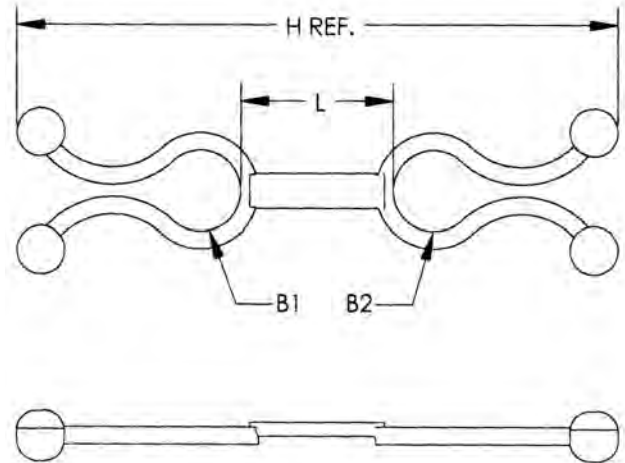
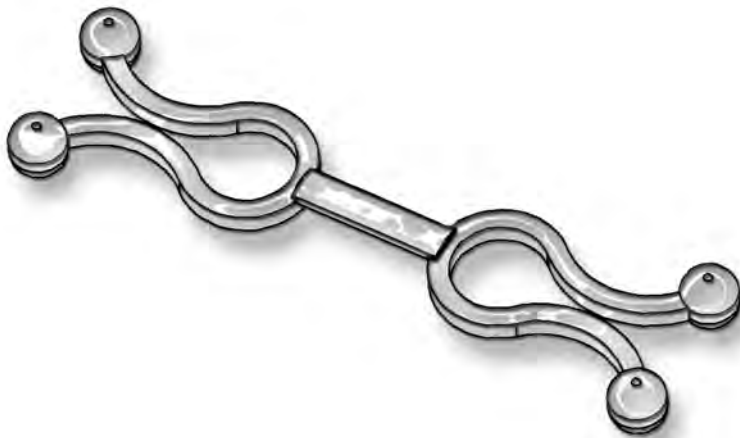
"EZ" TWIST LOCKS

Molded in **Natural Nylon 6/6**

Micro Plastics' "EZ" Twist Lock Bundling Ties offers a fast, economical way to securely position and hold wire, cable or tubing. A single twist of the finger locks the bundle together. Another twist will open the lock to add or remove wire to the bundle. The reusable "EZ" Twist Lock is molded of tough, resilient Nylon 6/6 (UL 94V2). The following standard sizes are available from stock in natural nylon. Dyed colors can be furnished with a slight extra charge. Other sizes will be tooled on request.



ITEM NUMBER	DESCRIPTION	H REF.	B
23EZ0125N	1/8" LOCK	.715 (18,1)	.11 / .14 (2,80 / 3,56)
23EZ0250N	1/4" LOCK	.875 (22,2)	.20 / .27 (5,08 / 6,86)
23EZ0375N	3/8" LOCK	1.08 (27,4)	.30 / .40 (7,62 / 10,2)
23EZ0500N	1/2" LOCK	1.20 (30,5)	.40 / .50 (10,2 / 12,7)
23EZ0600N	5/8" LOCK	1.26 (32,0)	.55 / .65 (13,9 / 16,5)
23EZ0750N	3/4" LOCK	1.55 (39,4)	.70 / .80 (17,8 / 20,3)
23EZ0950N	15/16" LOCK	1.87 (47,5)	.90 / 1.00 (22,8 / 25,4)
23EZ1125N	1 1/8" LOCK	2.17 (55,1)	1.20/1.30 (30,5 / 33,0)
23EZ1375N	1 3/8" LOCK	2.67 (67,8)	1.45/1.55 (36,8 / 39,4)
23EZ1500N	1 1/2" LOCK	2.93 (74,4)	1.55/1.65 (39,4 / 41,9)
23EZ1750N	1 3/4" LOCK	3.46 (87,9)	1.90/2.00 (48,3 / 50,8)



DOUBLE "EZ" TWIST LOCKS

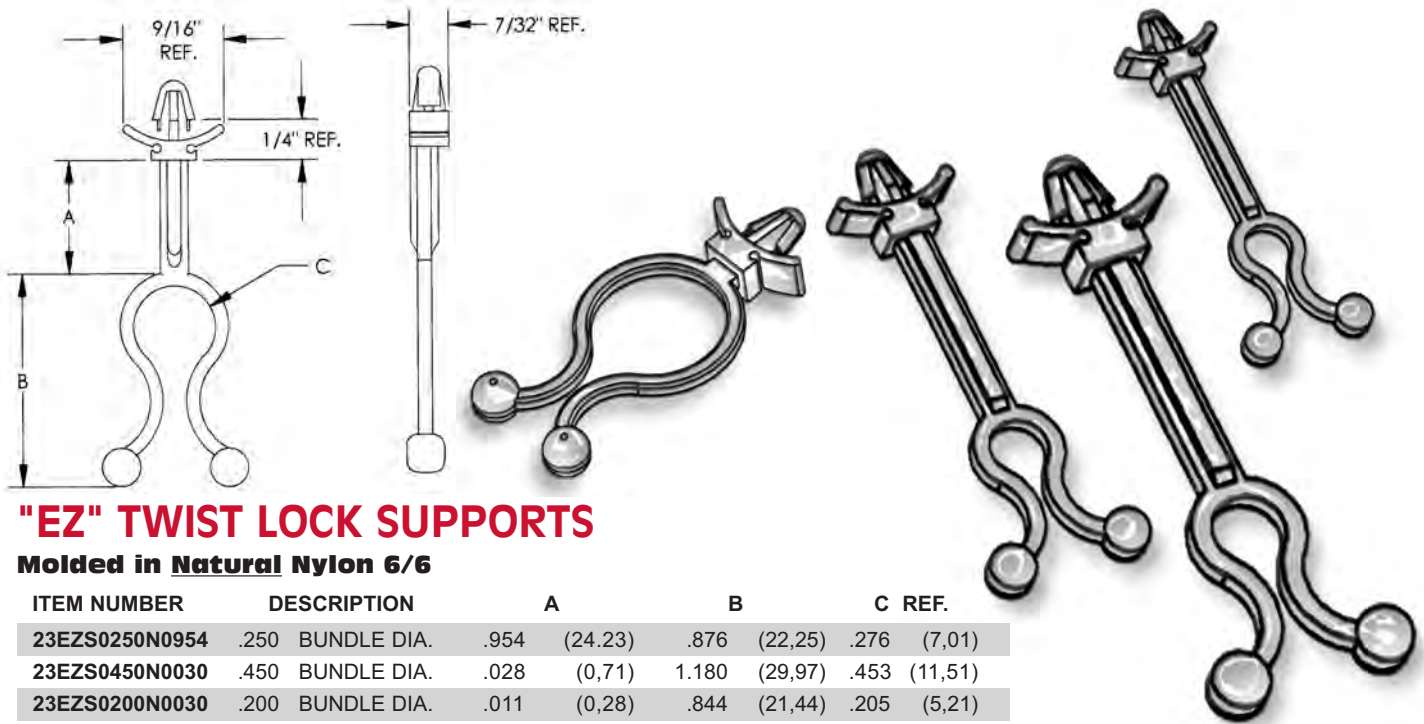
Molded in **Natural Nylon 6/6**

ITEM NUMBER	H	L	B1 AND B2
23DBEZ001	2-3/4 (69,8)	11/16" (17,46)	.30/.40 (7,62) / (10,16)
23DBEZ002	2-31/32 (74,4)	11/16" (17,46)	.40/.50 (10,16) / (12,70)

WIRE HANDLING HARDWARE

SECTION
VII

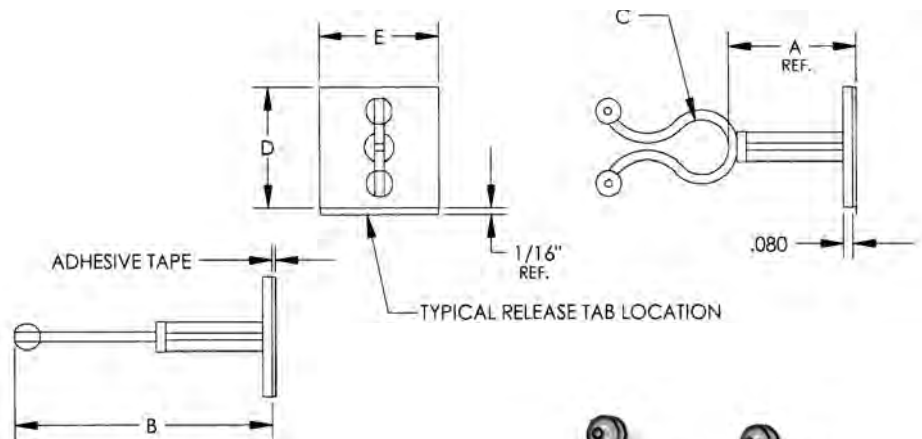
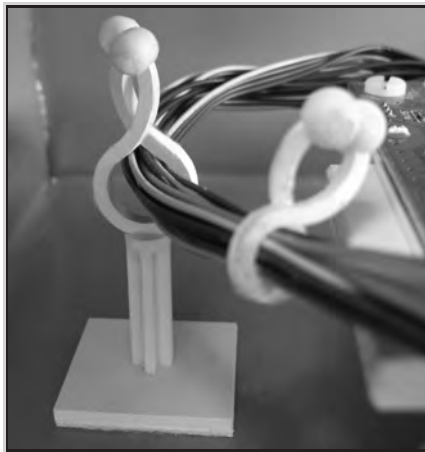
Micro Plastics' "EZ" Twist Lock Printed Circuit Board Supports feature a uniquely designed locking base which is easily snapped into the chassis by hand. Cables and wires can be loaded and unloaded with a simple twist of the fingers, and are supported above the board eliminating possible contact with hot components. Parts are stocked in natural Nylon 6/6. Other colors can be furnished with a slight extra charge. HOLE SIZE .187" • PANEL THICKNESS .030"-.078"



"EZ" TWIST LOCK SUPPORTS

Molded in Natural Nylon 6/6

ITEM NUMBER	DESCRIPTION	A	B	C REF.
23EZO250N0954	.250 BUNDLE DIA.	.954 (24,23)	.876 (22,25)	.276 (7,01)
23EZO450N0030	.450 BUNDLE DIA.	.028 (0,71)	1.180 (29,97)	.453 (11,51)
23EZO200N0030	.200 BUNDLE DIA.	.011 (0,28)	.844 (21,44)	.205 (5,21)
23EZO375N0030	.375 BUNDLE DIA.	.050 (1,27)	1.066 (27,08)	.350 (8,89)
23EZO450N0625	.450 BUNDLE DIA.	.615 (15,62)	1.184 (30,07)	.453 (11,51)
23EZO625N0028	.625 BUNDLE DIA.	.028 (0,71)	1.270 (32,26)	.620 (15,75)



Micro Plastics' "EZ" Twist Lock Supports on Adhesive Base offer an economical way of routing wires without the need for mounting holes or screws. Cables and wires can be loaded & unloaded with a simple twist of the fingers. Also includes a release tab for easy quick installation.

"EZ" TWIST LOCK SUPPORTS ADHESIVE BASE

Molded in Natural Nylon 6/6

ITEM NUMBER	A	B	C MAX	D	E
23EZABS450TAB	1.070 (27,18)	2.149 (54,58)	.450 (11,43)	1" (25,40)	1" (25,40)
23EZAB450TAB	.190 (4,83)	1.230 (31,24)	.450 (11,43)	1" (25,40)	.520 (13,21)
23EZAB580TAB	.190 (4,83)	1.400 (35,56)	.580 (14,73)	.870 (22,10)	.520 (13,21)



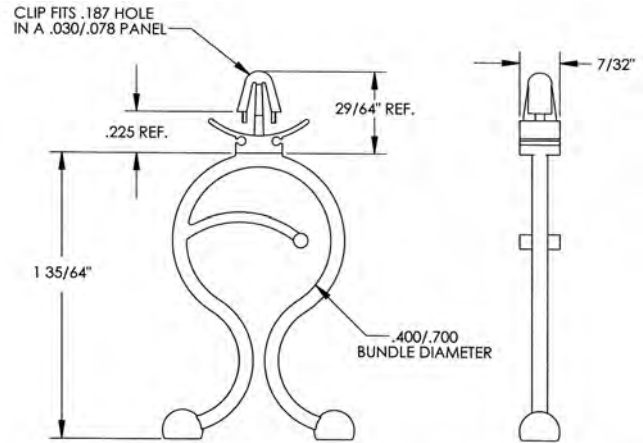
WIRE HANDLING HARDWARE

SECTION VII

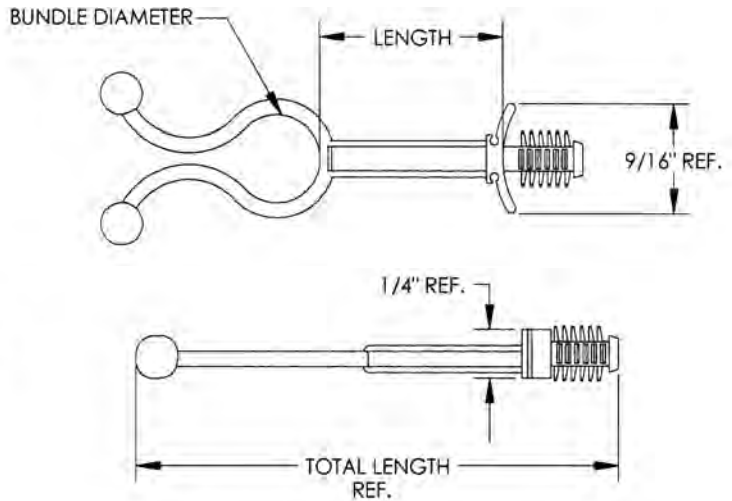
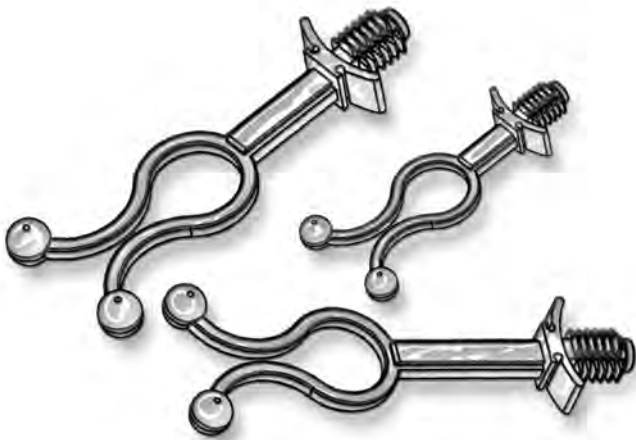
"EZ" TWIST LOCK SUPPORT WITH ARM

Molded in **Natural Nylon 6/6**

Micro Plastics "EZ" Twist Lock Circuit Board Supports feature a unique locking base that easily snaps into the chassis by hand. Cables and wire can be loaded and unloaded with a twist of the fingers. Additional arm inside that twist lock for holding smaller wires or bundles. Molded in Natural Nylon 6/6, part fits a .187 diameter hole and panel thickness of .030 to .078.



ITEM NUMBER	BUNDLE DIA.	LENGTH
23EZSFA0500B0018	.400/.700 BUNDLE DIA.	1 35/64 (39,27)



"EZ" TWIST LOCK FIN CLIP BASE

Molded in **Natural Nylon 6/6**

ITEM NUMBER	BUNDLE DIAMETER	LENGTH	TOTAL LENGTH	MOUNTING HOLE	PANEL RANGE
23EZF037B025	3/8" (9,53)	.200 (5,08)	1-21/32 (42,06)	.187 (4,75)	1/32 (0,79) - 1/4 (6,35)
23EZF037B037	3/8" (9,53)	.315 (8,00)	1-25/32 (45,24)	.187 (4,75)	1/32 (0,79) - 1/4 (6,35)
23EZF037B050	3/8" (9,53)	.437 (11,10)	1-29/32 (48,41)	.187 (4,75)	1/32 (0,79) - 1/4 (6,35)
23EZF037B062	3/8" (9,53)	.555 (14,10)	2-1/32" (51,59)	.187 (4,75)	1/32 (0,79) - 1/4 (6,35)
23EZF050C037	1/2" (12,70)	.318 (8,08)	1-27/32 (46,81)	.250 (6,35)	1/32 (0,79) - 1/4 (6,35)
23EZF050C050	1/2" (12,70)	.447 (11,35)	1-63/64 (50,39)	.250 (6,35)	1/32 (0,79) - 1/4 (6,35)
23EZF050C062	1/2" (12,70)	.596 (15,14)	2-1/8 (53,98)	.250 (6,35)	1/32 (0,79) - 1/4 (6,35)
23EZF050C100	1/2" (12,70)	.942 (23,93)	2-15/32 (62,71)	.250 (6,35)	1/32 (0,79) - 1/4 (6,35)
23EZF062C037	5/8" (15,88)	.319 (8,10)	1-15/16 (49,21)	.250 (6,35)	1/32 (0,79) - 1/4 (6,35)
23EZF062C050	5/8" (15,88)	.442 (11,23)	2-3/64 (51,99)	.250 (6,35)	1/32 (0,79) - 1/4 (6,35)
23EZF062C062	5/8" (15,88)	.595 (15,11)	2-3/16 (55,56)	.250 (6,35)	1/32 (0,79) - 1/4 (6,35)
23EZF062C100	5/8" (15,88)	.935 (23,75)	2-35/64 (64,69)	.250 (6,35)	1/32 (0,79) - 1/4 (6,35)

STANDARD LENGTH IS FROM BUNDLE DIAMETER TO TOP OF 1/32" PANEL

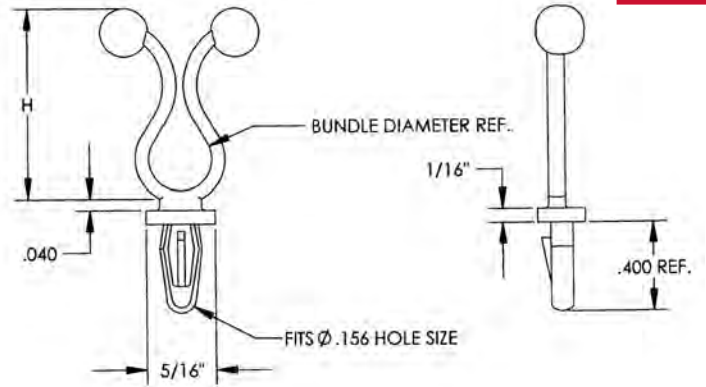
WIRE HANDLING HARDWARE

SECTION
VII



"EZ" TWIST LOCK SUPPORTS

Molded in **Natural Nylon 6/6**

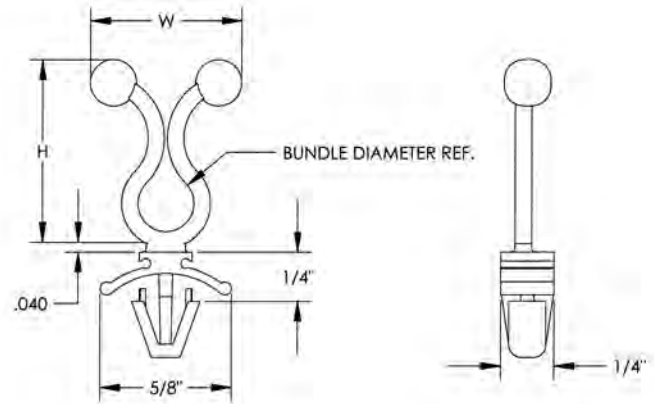


ITEM NUMBER	DESCRIPTION	PANEL THICKNESS	H
23EZO250C0040	.250 BUNDLE DIA.	1/16" (1,57)	7/8" (22,23)
23EZO375C0040	.375 BUNDLE DIA.	1/16" (1,57)	1-5/64" (27,37)
23EZO500C0040	.500 BUNDLE DIA.	1/16" (1,57)	1-13/64" (30,56)

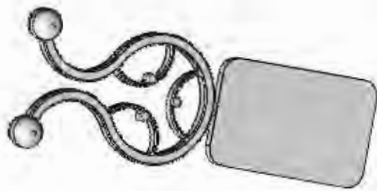


"EZ" TWIST LOCK SUPPORTS

Molded in **Natural Nylon 6/6**



ITEM NUMBER	DESCRIPTION	PANEL THICKNESS	H
23EZO250B0040	.250 BUNDLE DIA.	.047 (1,19) / .109 (2,77)	7/8" (22,23)
23EZO375B0040	.375 BUNDLE DIA.	.047 (1,19) / .109 (2,77)	1-5/64" (27,37)
23EZO500B0040	.500 BUNDLE DIA.	.047 (1,19) / .109 (2,77)	1-13/64" (30,56)

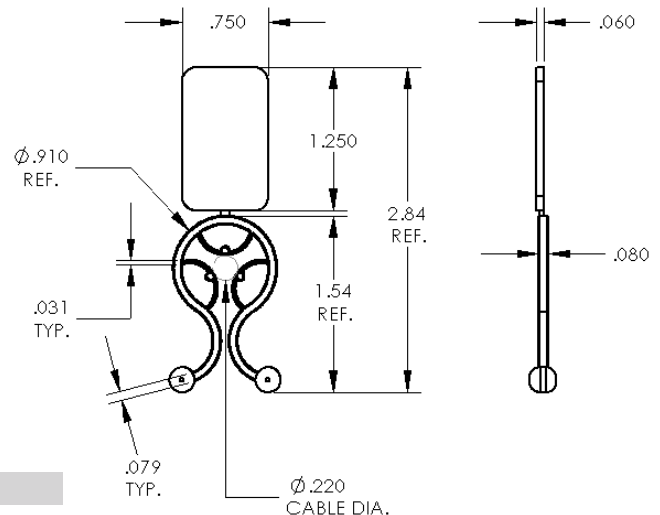


New
Product

WEBBED "EZ" TWIST LOCK

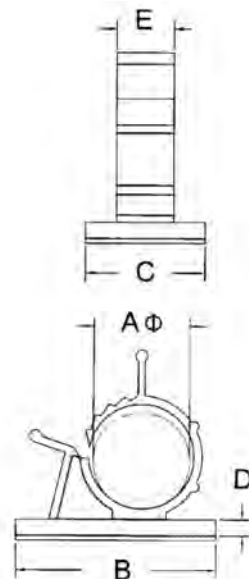
Molded in **Natural Nylon 6/6**

ITEM
NUMBER
23EZLB0220



WIRE HANDLING HARDWARE

SECTION VII



ADJUSTABLE CABLE CLAMP

Molded in **Black Nylon 6/6** NOTE: RELEASABLE TAB AVAILABLE UPON REQUEST

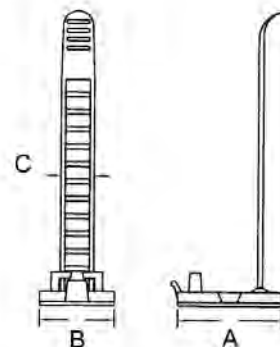
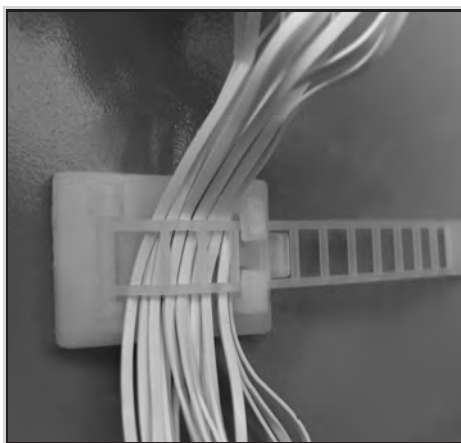
- Material: UL approved Black NYLON 66, 94V-2 (Backed with adhesive tape)
- One size of adjustable clamp can accommodate various cables that will save your stock cost.
- Easy to install, and open and close for unlimited usage

ADHESIVE TAPE

ITEM NUMBER	A CLAMPING RANGE	*REF. B BASE LENGTH	C BASE WIDTH	D BASE THICKNESS
22AAWC310400	.311/.390 (7,9/9,9)	1" (25,4)	3/4" (19,05)	5/64" (1,98)
22AAWC390490	.390/.485 (9,9/12,32)	1.281" (32,54)	3/4" (19,05)	5/64" (1,98)
22AAWC500600	.445/.560 (11,3/14,22)	1.455" (36,7)	3/4" (19,05)	5/64" (1,98)
22AAWC650790	.620/.765 (15,75/19,43)	1.660" (42,16)	1" (25,4)	1/8" (3,17)
22AAWC830930	.755/.935 (19,18/23,75)	1.75" (44,45)	1" (25,4)	7/64" (2,78)



ADHESIVE TAPE



- PACKAGED IN BAGS OF 100 PIECES EACH
- PURCHASE IN PACKAGED QUANTITIES ONLY

LADDER STYLE ADJUSTABLE CABLE CLAMP

Molded in **Natural Nylon 6/6 94V-2**

ITEM NUMBER	A REF.	B REF.	C REF.	MAX BUNDLE DIA.	PACKAGING
NM22LCC0625	.984" 25mm	.709" 18mm	.311" 7.9mm	.669" 17.0mm	100 pcs
NM22LCC0812	1.200" 30.5mm	.827" 21mm	.472" 12mm	.866" 22.0mm	100 pcs
NM22LCC1000	1.200" 30.5mm	.827" 21mm	.472" 12mm	1.024" 26.0mm	100 pcs

WIRE HANDLING HARDWARE

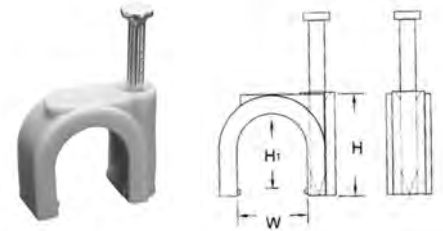
SECTION
VII

Molded Nail-In Cable Clips are used to safely install cable T.V., fiber optics, computer networks, telephone and other communication systems, hydraulic and pneumatic systems. The clips are molded in tough, electrically insulating, ultra violet resistant, high density Polyethylene. Main stress areas of the clip have reinforcing ribs designed into the part to strengthen and absorb the impact. The Nail-In Clips have all contact edges radiused to protect cable or tubing from damage. Clips are supplied with nickel plated steel nails pre-assembled, ready for use in masonry, wood, plaster, or stucco. Clips are easily and efficiently installed, resulting in a low in-place cost. Nail-In Clips are stocked in the most popular cable sizes ranging from 4mm to 9mm including the RG59 and the double shield cables.

PURCHASE IN PACKAGED QUANTITIES ONLY

NAIL IN CABLE CLIPS (Single, Round Cable)

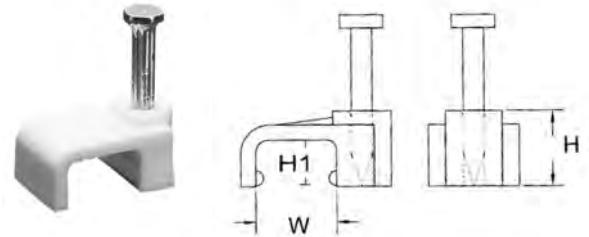
**Molded in Black, White Polyethylene
WITH NAILS INSERTED**



ITEM NUMBER BLACK	WHITE	W	H	H1	PACKAGING			
22NCC0400R	22NCC0400RW	.145"	3.6mm	.257"	6.5mm	.155"	3.9mm	100 pcs
22NCC0500R	22NCC0500RW	.190"	5mm	.299"	7.6mm	.209"	5.3mm	100 pcs
22NCC0700R	22NCC0700RW	.236"	6mm	.354"	9mm	.260"	6.6mm	100 pcs
22NCC0800R	22NCC0800RW	.302"	7.6mm	.453"	11.5mm	.335"	8.5mm	100 pcs

NAIL IN CABLE CLIPS (Single, Flat Cable)

**Molded in Black, White Polyethylene
WITH NAILS INSERTED**



ITEM NUMBER BLACK	WHITE	W	H	H1	PACKAGING			
22NCC0450F	22NCC0450FW	.217"	5.5mm	.217"	5.5mm	.122"	3.1mm	100 pcs
22NCC0900F	22NCC0900FW	.335"	8.5mm	.315"	8mm	.205"	5.2mm	100 pcs

NAIL IN CABLE CLIPS (Double)

**Molded in Black, White Polyethylene
WITH NAILS INSERTED**

Double nail ensures cable will firmly stay in place



ITEM NUMBER BLACK	WHITE	W	H	H1	PACKAGING			
22NCC1250FB	22NCC1250FW	.492"	12.5mm	.315"	8mm	.209"	5.3mm	100 pcs
22NCC1900FB	22NCC1900FW	.736"	18.7mm	.315"	8mm	.209"	5.3mm	100 pcs

WIRE HANDLING HARDWARE

SECTION
VII

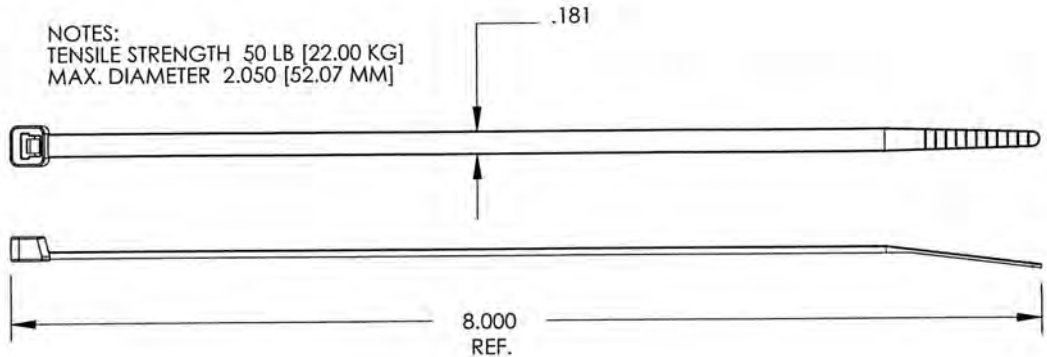
4ZERO Cable Tie

Molded in **Black Impact Modified Nylon 6/6**

The 4ZERO Cuff is the most advanced flexible polymer handcuff on the market and is used by select police and law enforcement agencies who demand the strongest and most durable product available. Now, the same material used to manufacture the 4ZERO Cuff is available in a line of extremely durable cable ties designed to perform and hold their strength in extremely dry environments and in temperature extremes from 30 degrees below to 365 degrees Fahrenheit, conditions that can leave normal nylon cable ties brittle and broken.

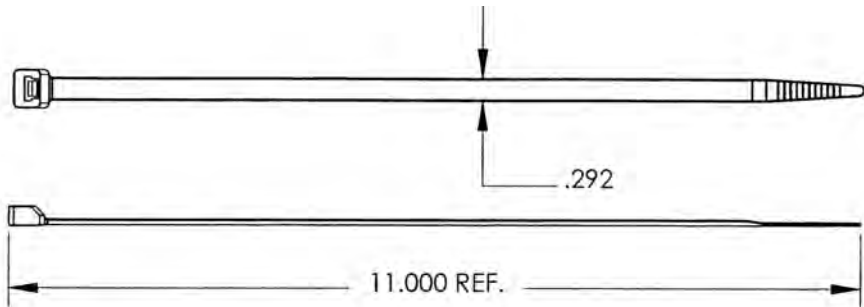


NOTES:
TENSILE STRENGTH 50 LB [22.00 KG]
MAX. DIAMETER 2.050 [52.07 MM]



ITEM NUMBER

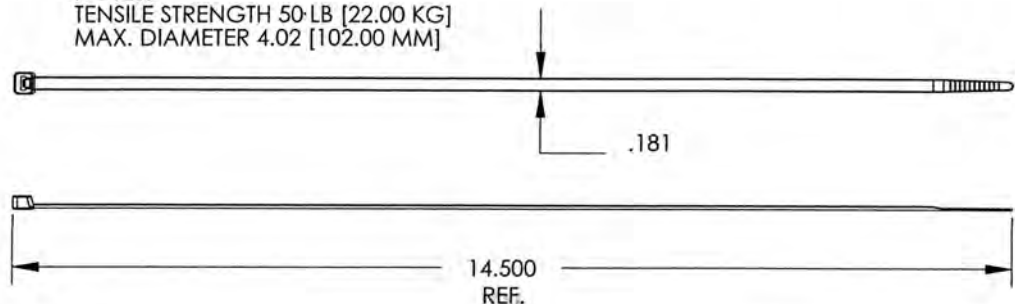
4Z023CT080050B



ITEM NUMBER

4Z023CT110120B

NOTES:
TENSILE STRENGTH 50-LB [22.00 KG]
MAX. DIAMETER 4.02 [102.00 MM]



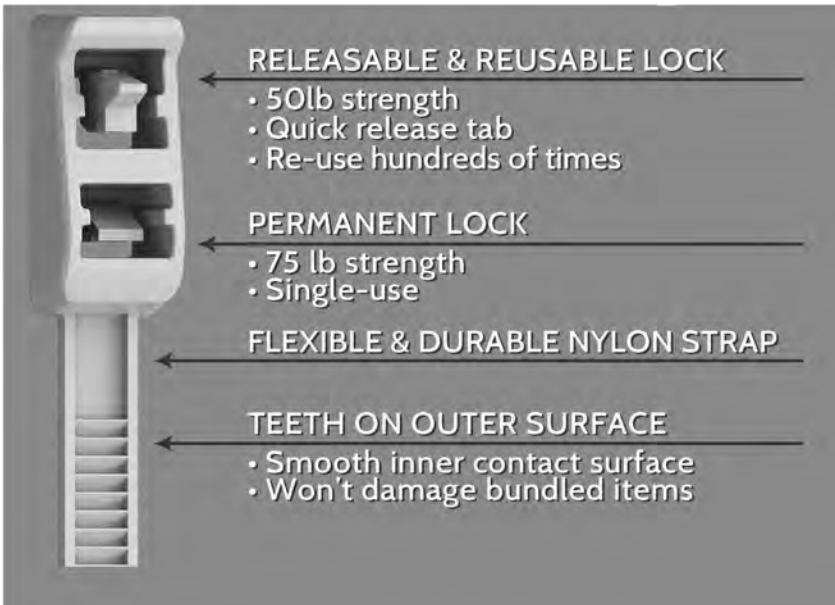
ITEM NUMBER

4Z023CT145050B

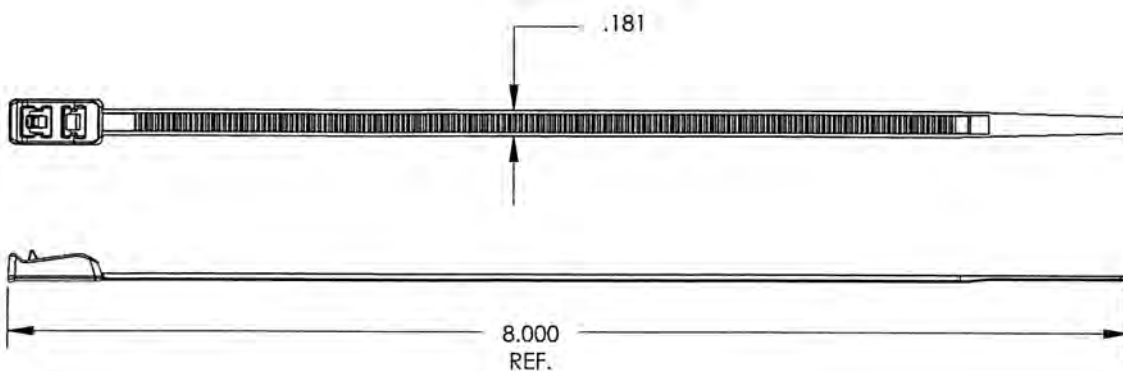
DualZip Cable Tie

Molded in **Natural Nylon 6/6**

The DualZip cable tie not only incorporates the best and easiest to use releasable lock on the market, but also combines the dual functionality of both a releasable and permanent tie in one part. The permanent lock is the time-proven conventional lock which is so strong that under normal circumstances, the part will fail with the strap breaking, not slippage within the lock. The releasable lock has been engineered so that the lock can be ratcheted and released many times and will continue to reliably lock. The releasable lock is wedge-shaped so that you can release it with your thumb even without using a fingernail. The other outstanding difference in this design is that it is opposite of a conventional cable tie. The teeth are on the outside of the bundle diameter.



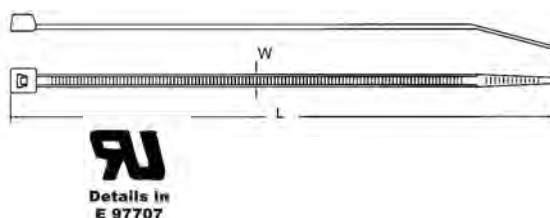
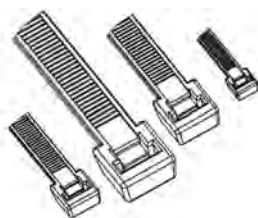
In addition to the smooth strap surface being on the inside of the bundle, where you want it, this reversal puts the releasable action of the lock outside of the bundle diameter, for much easier access to release. With other releasable designs, you really need access behind the cable tie head (inside the bundle diameter) to get your finger in a position where you can easily release the tie. That is difficult or can be impossible when the part is fastened onto a bundle. This new design puts the release tab up and away from the bundle, for easy access every time. Although this part is a natural for consumers at the retail level, there are many industrial applications for it as well.



ITEM NUMBER	LENGTH	WIDTH	MAX DIAMETER	TENSILE
23CTDZ80050	8"	.181	1.900	50LBS

WIRE HANDLING HARDWARE

SECTION VII



- Manufactured from tough, durable Nylon 6/6 material which is self extinguishing to U.L. 94V2.
- The Nylon is inert to fungus or mold and is resistant to petrols, oil, grease and alkalis, etc.
- Ties can be tensioned by hand or by the use of applied tensioning tools.
- TENSILE STRENGTH AT 73° DRY AS MOLDED
- Packaged 100 pieces per bag.

Additional **COLORS** are available for part numbers beginning with **NT**: **Red, Yellow, Green and Blue**.
Add the color to the end of the part number when ordering. Example: (NT10025C**RED**) (NT10025C**GREEN**)

Additional **COLORS** are available for part numbers beginning with **23CT**: **Red-(RD), Yellow-(Y) Green-(GR) and Blue-(BL)**.
Add the color code to the end of the part number when ordering. Example: (23CT060050**RD**) (23CY060050**Y**)

CABLE TIES

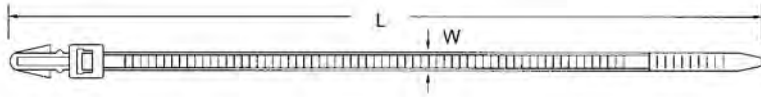
Molded in **Natural and Black Nylon 6/6**

Natural ITEM NUMBER	Black UV ITEM NUMBER	LENGTH		WIDTH		MAX. DIAMETER		TENSILE STRENGTH		RANGE
NT08025C	NT08025CB	2.95"	75mm	.094"	2.4mm	.71"	18mm	18lb	8.1kg	MINIATURE
NT10025C	NT10025CB	3.94"	100mm	.098"	2.5mm	.98"	25mm	18lb	8.1kg	MINIATURE
NT16025C	NT16025CB	6.50"	165mm	.098"	2.5mm	1.73"	44mm	18lb	8.1kg	MINIATURE
NT20025C	NT20025CB	7.99"	203mm	.098"	2.5mm	2.16"	55mm	18lb	8.1kg	MINIATURE
NTA12032C	NTA12032CB	4.75"	120mm	.126"	3.2mm	1.18"	30mm	40lb	18kg	INTERMEDIATE
NT14036C	NT14036CB	5.59"	142mm	.126"	3.2mm	1.38"	35mm	40lb	18kg	INTERMEDIATE
NT20036C	NT20036CB	7.99"	203mm	.126"	3.2mm	2.16"	55mm	40lb	18kg	INTERMEDIATE
NT29536C	NT29536CB	11.50"	292mm	.142"	3.6mm	3.35"	85mm	40lb	18kg	INTERMEDIATE
NTA12048C	NTA12048CB	4.72"	120mm	.189"	4.8mm	1.18"	30mm	50lb	22kg	STANDARD
23CT060050 [●]	23CT060050B [●]	6.00"	152mm	.183"	4.6mm	1.31"	33mm	50lb	22kg	STANDARD
NT16048C	NT16048CB	6.30"	160mm	.189"	4.8mm	1.65"	42mm	50lb	22kg	STANDARD
NT18048C	NT18048CB	7.48"	190mm	.189"	4.8mm	2.05"	52mm	50lb	22kg	STANDARD
23CT080050	23CT080050B	8.00"	203mm	.181"	4.6mm	2.05"	52mm	50lb	22kg	STANDARD
NT20048C [●]	NT20048CB [●]	7.99"	203mm	.181"	4.6mm	2.16"	55mm	50lb	22kg	STANDARD
NT25048C	NT25048CB	9.84"	250mm	.189"	4.8mm	2.91"	74mm	50lb	22kg	STANDARD
NT29548C	NT29548CB	11.02"	280mm	.189"	4.8mm	3.19"	81mm	50lb	22kg	STANDARD
NT37048C	NT37048CB	14.49"	368mm	.189"	4.8mm	4.02"	102mm	50lb	22kg	STANDARD
23CT110120 [●]	23CT110120B [●]	11.00"	279mm	.292"	7.4mm	2.79"	70mm	120lb	54.5kg	STANDARD
NTA43248C	NTA43248CB	17.00"	432mm	.189"	4.8mm	4.92"	125mm	50lb	22kg	STANDARD
NT15076C [●]	NT15076CB [●]	5.91"	150mm	.299"	7.6mm	1.54"	39mm	120lb	54.5kg	LIGHT HEAVY
NT20076C	NT20076CB	7.99"	203mm	.299"	7.6mm	2.16"	55mm	120lb	54.5kg	LIGHT HEAVY
NT29076C	NT29076CB	11.02"	280mm	.299"	7.6mm	3.07"	78mm	120lb	54.5kg	LIGHT HEAVY
23CT145050 [●]	23CT145050B [●]	14.50"	368mm	.181"	4.5mm	4.02"	102mm	50lb	22kg	LIGHT HEAVY
NT37076C	NT37076CB	14.96"	380mm	.299"	7.6mm	4.33"	110mm	120lb	54.5kg	LIGHT HEAVY
NT45090C	NT45090CB	17.72"	450mm	.315"	8.0mm	5.24"	133mm	175lb	80kg	HEAVY
NT55090C	NT55090CB	21.65"	550mm	.315"	8.0mm	6.54"	166mm	175lb	80kg	HEAVY
NTA61090C	NTA61090CB	24.00"	610mm	.354"	9.0mm	7.28"	185mm	175lb	80kg	HEAVY
NT76290C	NT76290CB	30.00"	762mm	.354"	9.0mm	9.29"	236mm	175lb	80kg	HEAVY
NTA91490C	NTA91490CB	36.00"	914mm	.354"	9.0mm	10.63"	270mm	175lb	80kg	HEAVY
NTA121990C	NTA121990CB	48.00"	1219mm	.354"	9.0mm	14.96"	380mm	175lb	80kg	HEAVY

[●] NOT U.L. RECOGNIZED

WIRE HANDLING HARDWARE

SECTION
VII



- Material: UL approved NYLON 66, 94V-2
- Press the tie into a pre-drilled hole for simple and secure one-piece harness tying and mounting.



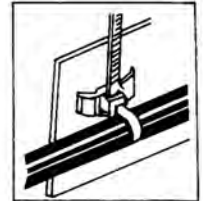
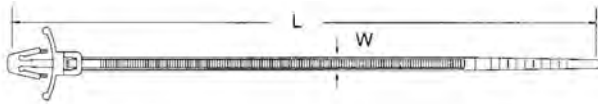
PUSH MOUNT CABLE TIES

Molded in **Black or Natural Nylon 6/6**

PARTS ARE PACKAGED 100 PIECES PER BAG • PURCHASE IN PACKAGED QUANTITIES ONLY

ITEM NO. NATURAL	UV BLACK	LENGTH	WIDTH	TENSILE STRENGTH	DRILLED HOLE DIA.	MAX. PANEL
NTA15535PMTG	NTA15535PMTGB•	6.12" 155mm	.138" 3.5mm	40lb 18kg	.189" 4.8mm	.125" 3.2mm
NTA20347PMTG•	NTA20347PMTGB•	8" 203mm	.189" 4.8mm	50lb 22.2kg	.236" 6.0mm	.125" 3.2mm

•NOT UL RECOGNIZED



NTA15535WPM - UL APPROVED
NTA13048WPM - UL APPROVED

WING MOUNT CABLE TIES

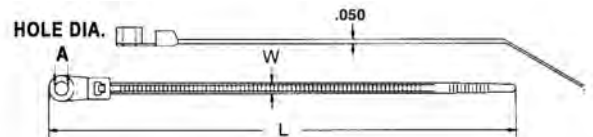
Molded in **Black or Natural Nylon 6/6**

PARTS ARE PACKAGED 100 PIECES PER BAG • PURCHASE IN PACKAGED QUANTITIES ONLY

ITEM NUMBER NATURAL	UV BLACK	LENGTH	WIDTH	TENSILE STRENGTH	MOUNTING HOLE	MAX. PANEL THICKNESS	MAX. BUNDLE DIAMETER
NTA11225WPM•	NTA11225WPMB•	4.41" 112mm	.098" 2.5mm	18lb 8kg	.187" 4.7mm	.070" 1.7mm	.98" 25mm
NTA15535WPM	NTA15535WPMB•	6.10" 155mm	.138" 3.5mm	40lb 18kg	.187" 4.7mm	.070" 1.7mm	1.42" 36mm
NTA13048WPM	NTA13048WPMB•	5.12" 130mm	.189" 4.8mm	50lb 22kg	.236" 6.0mm	.070" 1.7mm	1.18" 30mm
NTA20048WPM•	NTA20048WPMB•	7.87" 200mm	.189" 4.8mm	50lb 22kg	.236" 6.0mm	.070" 1.7mm	1.97" 50mm

•NOT UL RECOGNIZED

- Material: UL approved NYLON 66, 94V-2
- The cable tie can be secured to panel with a single bolt.



SCREW MOUNTING CABLE TIES

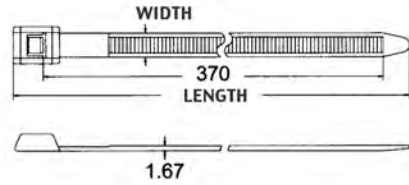
Molded in **Black or Natural Nylon 6/6**

PARTS ARE PACKAGED 100 PIECES PER BAG • PURCHASE IN PACKAGED QUANTITIES ONLY

ITEM NO. NATURAL	UV BLACK	LENGTH	WIDTH	TENSILE STRENGTH	HOLE DIA. A	PACKAGING
NTA20542SMTG	NTA20542SMTGB	8.60" 218mm	.165" 4.2mm	50lb 22kg	.200" 5mm	100 pcs
NTA39879SMTG	NTA39879SMTGB	16.19" 411mm	.311" 7.9mm	120lb 55kg	.241" 6.12mm	100 pcs

WIRE HANDLING HARDWARE

SECTION VII



- Material: UL approved NYLON 66, 94V-2
- Flat headed low profile design to be used with playground equipment to avoid harming playing children.

IN LINE CABLE TIE

Molded in **Natural Nylon 6/6**

PARTS ARE PACKAGED 100 PIECES PER BAG • PURCHASE IN PACKAGED QUANTITIES ONLY

ITEM NO.	LENGTH	WIDTH	MAX STRENGTH	PACKAGING
NTA39190LC	15.39" 391mm	.354" 9mm	50lb 22kg	100 pcs.

CABLE TIE INSTALLATION TOOLS

ITEM NO. DESCRIPTION
NTT00L1 Standard Adjustable Nylon Tensioning

ITEM NO. DESCRIPTION
NTT00LM1 Standard Adjustable Metal Tensioning



- For use with cable tie widths from .087" to .189"

- For use with cable tie widths from .189" to .512"



- For use with cable tie widths from .087" to .189"



ITEM NO. DESCRIPTION
NTT00LMHD Standard Metal Tensioning

WIRE HANDLING HARDWARE

SECTION
VII

FIN CLIP PUSH MOUNTS

Molded in **Black U.V. Stabilized High Density Polyethylene**

"Fin clip push mounts" are available in 2 sizes for 3/16" and 1/4" diameter holes. The special head configuration allows use with beaded ties, as well as conventional cable ties. Parts are molded in black U.V. stabilized high density polyethylene, and are suitable for use in pre-drilled holes in wood, masonry, and a variety of other materials.



ITEM NUMBER	DESCRIPTION
23FCPM18765	3/16" (4,76) PUSH MOUNT

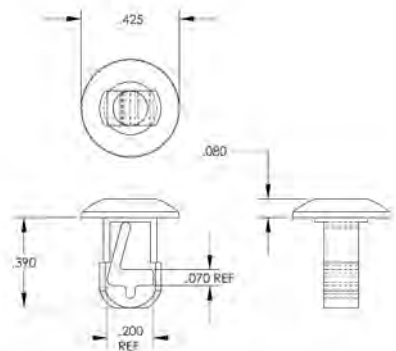
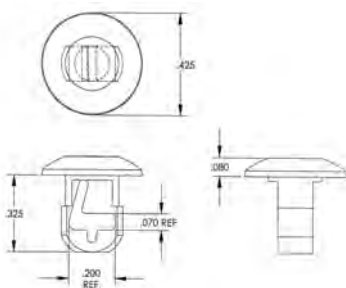
ITEM NUMBER	DESCRIPTION
23FCPM25095	1/4" (6,35) PUSH MOUNT

CABLE TIE MOUNT

Molded in **Natural Nylon 6/6**

Cable tie mount for use when both sides of the panel are accessible.

Watch Instructional Video
[mms://www.microplastics.com/productvideos/CableTieMount.asf](https://www.microplastics.com/productvideos/CableTieMount.asf)



- PANEL HOLE DIAMETER .250
- MAXIMUM PANEL THICKNESS .125

- PANEL HOLE DIAMETER .250
- MAXIMUM PANEL THICKNESS .188

ITEM NUMBER	DESCRIPTION
23TA250125	Cable Tie Mount

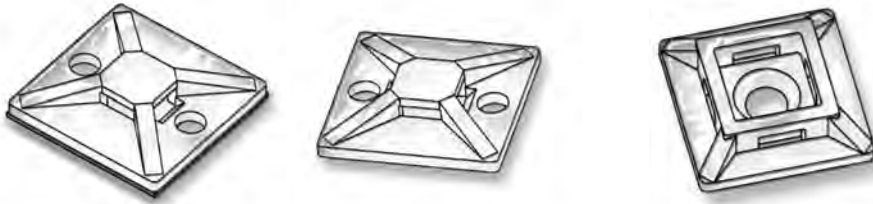
ITEM NUMBER	DESCRIPTION
23TA250188	Cable Tie Mount

WIRE HANDLING HARDWARE

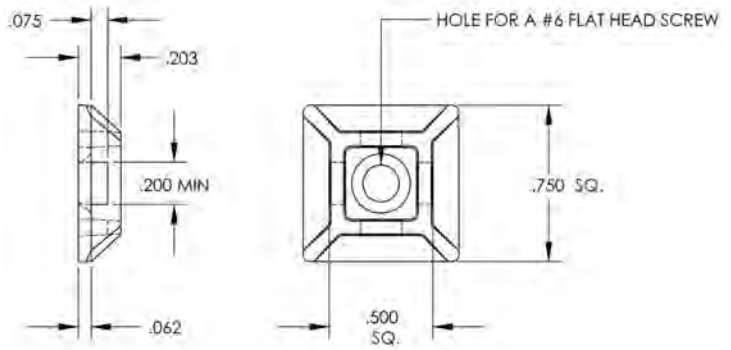
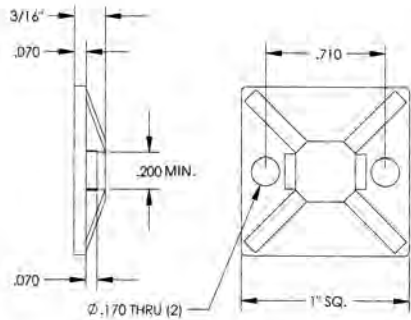
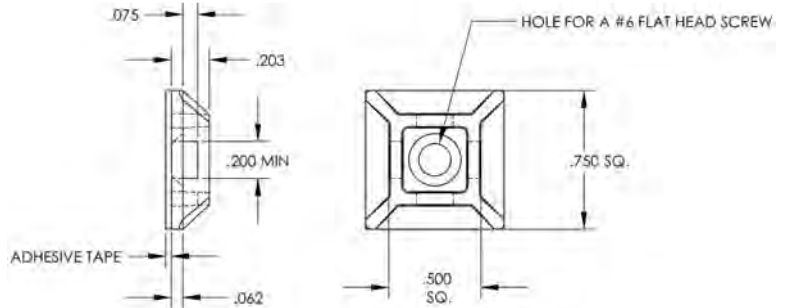
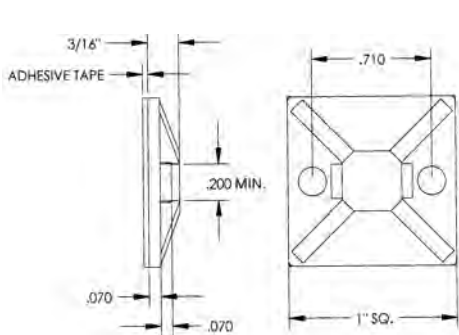
SECTION VII

CRADLE MOUNTS

Molded in **Natural Nylon 6/6**



Cradle Mounts are used in applications where a low profile is necessary. Each mount offers a four way entry and is secured with either a screw or adhesive backing. 23TA00420 is secured with a #2 - #4 or #6 screw, 23TA00495 uses #6 Flat Head Screw.



ITEM NUMBER	DESCRIPTION
23TA00400	1" (25,40) CRADLE MOUNT (ADHESIVE)
23TA00420	1" (25,40) CRADLE MOUNT (SCREW)

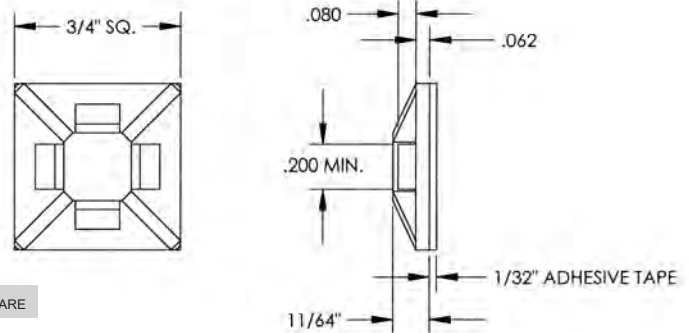
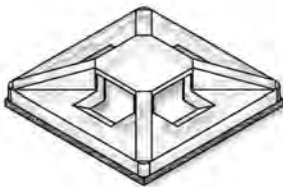
ITEM NUMBER	DESCRIPTION
23TA00475	3/4" (19,05) CRADLE MOUNT (ADHESIVE)
23TA00495	3/4" (19,05) CRADLE MOUNT (SCREW)

NOTE: the adhesive mounts have an acrylic foam backing that should be used on a smooth, clean, dry surface.

CRADLE MOUNT CLOSED SQUARE

Molded in **Natural Nylon 6/6**

This Cradle Mount is used in applications where a low profile is necessary. Each mount offers a four way entry and is secured using an acrylic foam backing that should be used on a smooth, clean, dry surface.



ITEM NUMBER	DESCRIPTION
23TA00500	3/4" (19,05) CRADLE MOUNT (ADHESIVE) CLOSED SQUARE

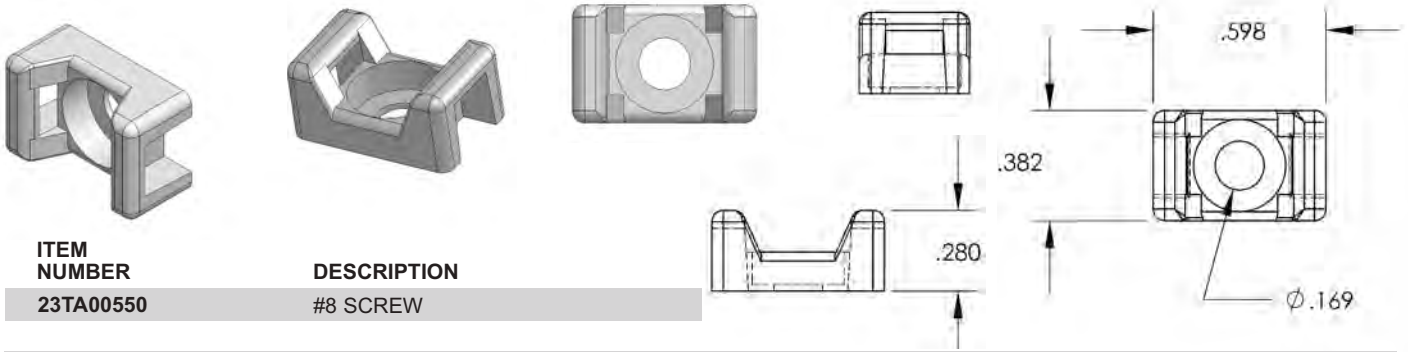
WIRE HANDLING HARDWARE

SECTION
VII

CABLE TIE HOLDER

Molded in **Natural Nylon 6/6**

Screw mount tie holder offers a two way entry and is secured with a mounting screw.

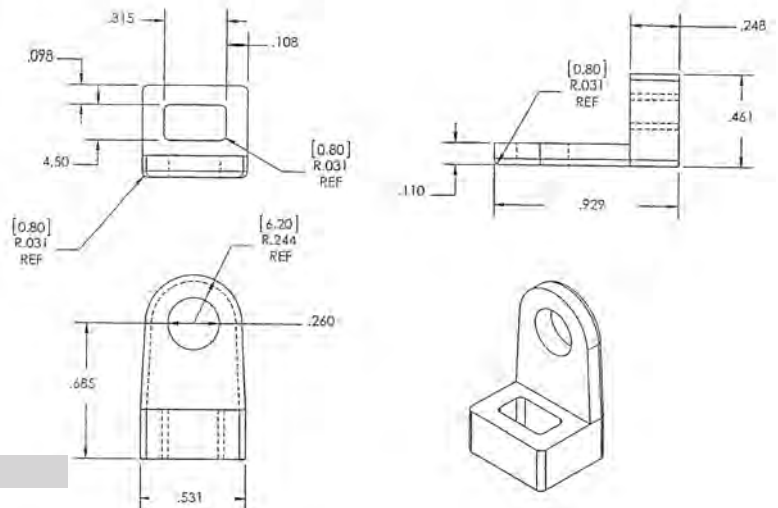


ITEM
NUMBER
23TA00550

DESCRIPTION
#8 SCREW

CABLE TIE HOLDER

Molded in **Natural Nylon 6/6**



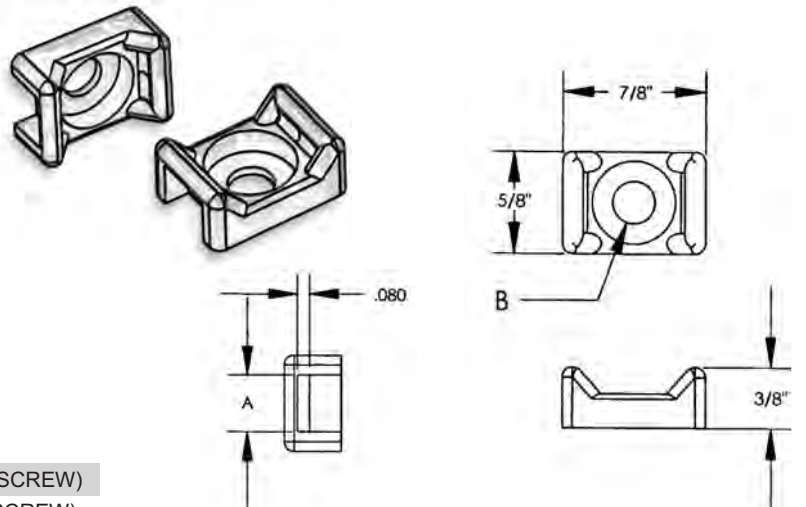
ITEM
NUMBER
23TA40260

DESCRIPTION
1/4-20 SCREW

CABLE TIE HOLDER

Molded in **Natural Nylon 6/6**

Screw mount tie holder offers a two way entry and is secured with a mounting screw.



ITEM NUMBER	A REF.	B
23TA00600	.370 (9,40)	.260 (6,60) (1/4-20 SCREW)
23TA00700	.370 (9,40)	.195 (4,95) (10-32 SCREW)

WIRE HANDLING HARDWARE

SECTION VII

CLIP MOUNTS

Molded in **Natural Nylon 6/6**

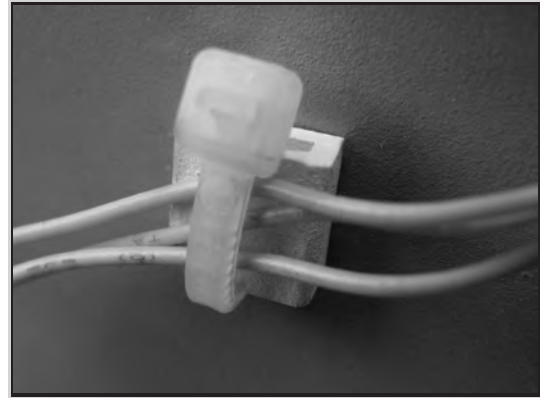
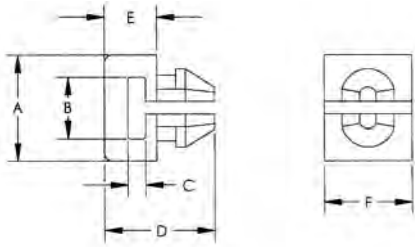
Clip Mounts are designed to securely connect a tie to a predrilled hole. Clip Mounts can be used in applications where the back of the panel is inaccessible.



23TA00090

23TA00100

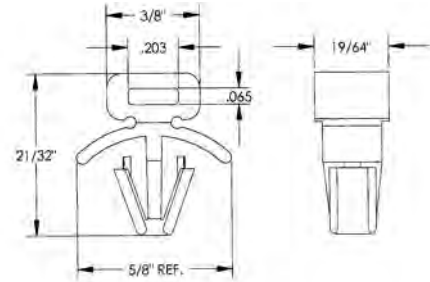
23TA00110



ITEM NUMBER	A	B	C	D	E	F	HOLE SIZE	PANEL THICKNESS
23TA00090	.320 (8,13)	.220 (5,59)	.050 (1,27)	.350 (8,89)	.150 (3,81)	.320 (8,13)	.187 (4,75)	.062 (1,57)
23TA00100	.380 (9,65)	.220 (5,59)	.065 (1,65)	.400 (10,16)	.190 (4,83)	.320 (8,13)	.187 (4,75)	.062 (1,57)
23TA00110	.380 (9,65)	.220 (5,59)	.065 (1,65)	.400 (10,16)	.190 (4,83)	.320 (8,13)	.250 (6,35)	.062 (1,57)

CLIP MOUNTS

Molded in **Natural Nylon 6/6**

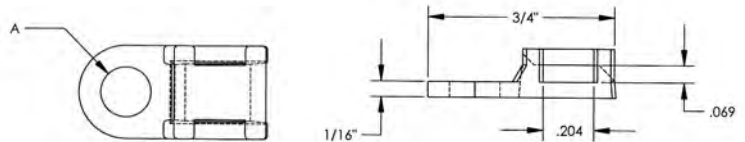
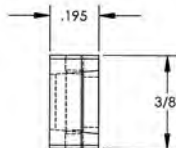
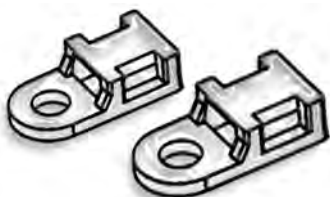


ITEM NUMBER	DESCRIPTION	HOLE SIZE	PANEL THICKNESS
23TA00120	.250 (6,35) CLIP MOUNT	.250 (6,35)	.047-.108 (1,19/2,74)

CLIP MOUNTS

Molded in **Natural Nylon 6/6**

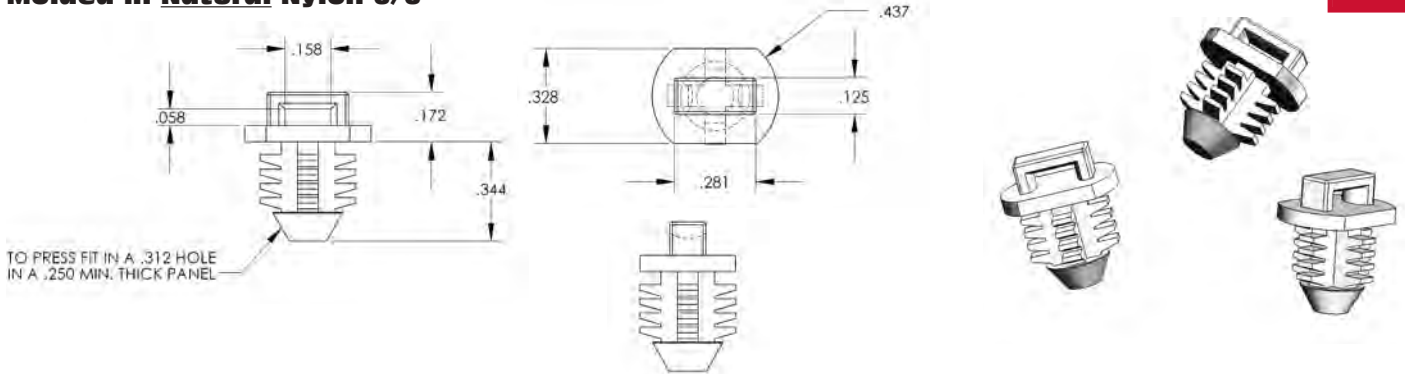
Screw clip mount tie holder offers a two way entry and is secured with a #8 or #10 mounting screw.



ITEM NUMBER	A	SCREW SIZE
23TA40170	.171 (4,34)	#8
23TA40200	.201 (5,11)	#10

PUSH TIE MOUNT

Molded in **Natural Nylon 6/6**

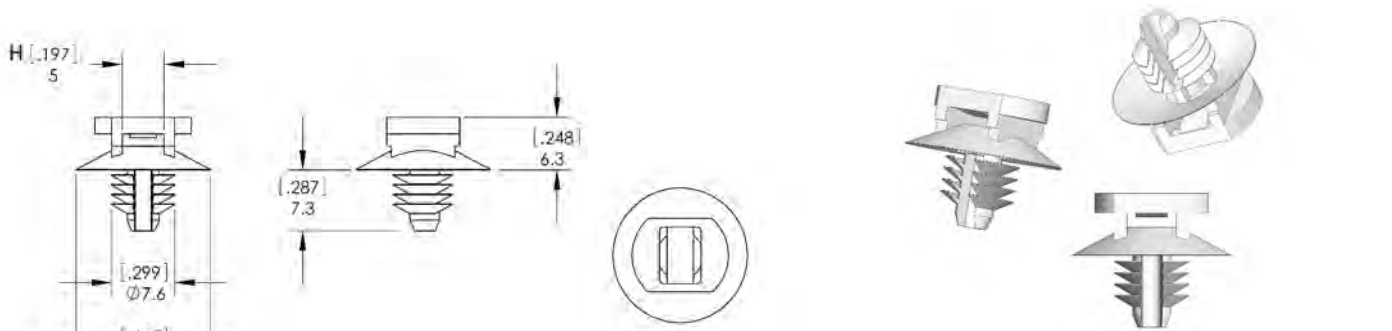


ITEM NUMBER	HOLE SIZE	MINIMUM PANEL THICKNESS
23TAPM312344	.312 (7,92)	.250 (6,35)

PUSH TIE MOUNT

Molded in **Natural Nylon 6/6**

- MATERIAL: U.L APPROVED NYLON 66, 94V-2
- DRILL .244" (6.2MM) hole on board to fix tie mount and then insert tie into the mount for bundling cables.



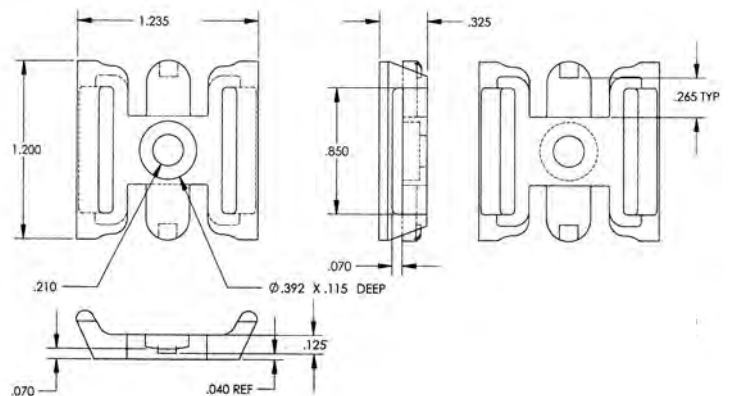
PARTS ARE PACKAGED 100 PIECES PER BAG • PURCHASE IN PACKAGED QUANTITIES ONLY

ITEM NUMBER	H	FITTING	PACKAGING
NM23PM25	.197" 5mm	.299" 7.6mm	100 pcs

COMBO CRADLE MOUNTS

Molded in **Natural Nylon 6/6**

The combination cradle mount can be secured with a screw or rivet. Part can be used with standard wire ties or hook and loop wire ties.



ITEM NUMBER	DESCRIPTION
23TAHL110340	COMBO CRADLE MOUNT (SCREW OR RIVET MOUNT)

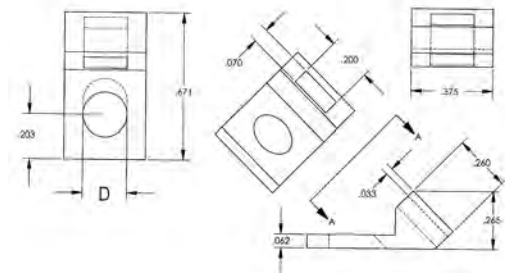
WIRE HANDLING HARDWARE

SECTION VII

WIRE TIE MOUNTING BRACKET

Molded in **Natural Nylon 6/6**

Wire Tie Mounting Brackets are for use with ties up to .190 wide and .060 thick. This series of brackets cover mounting screw sizes from #4 through #10. The compact design is ideal for limited space requirements.



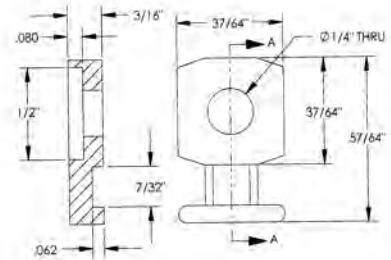
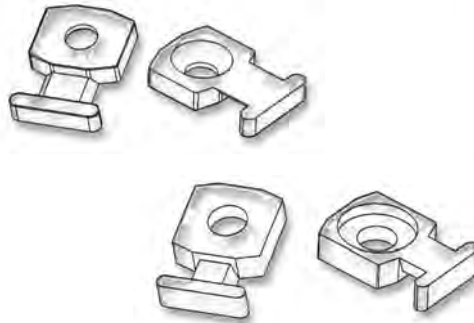
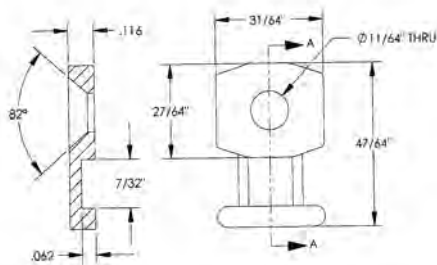
ITEM NUMBER	D	
23TA207128	.128	(3,25)
23TA207140	.140	(3,56)
23TA207167	.167	(4,24)
23TA207203	.203	(5,16)



SCREW TABS

Molded in **Natural Nylon 6/6**

Screw Tabs are designed for use where space is limited. Tabs are fastened with a screw to provide a low profile assembly.



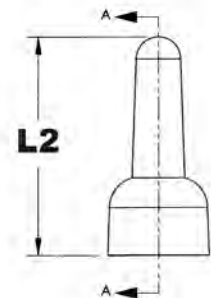
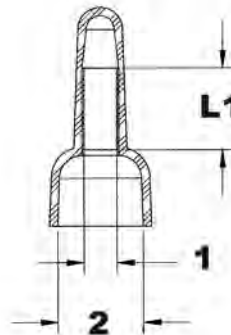
ITEM NUMBER	DESCRIPTION
23TA00200	#8 SCREW TAB

ITEM NUMBER	DESCRIPTION
23TA00250	1/4" (6,35) SCREW TAB

CLOSED END WIRE CONNECTORS

PARTS ARE PACKAGED 100 PIECES PER BAG • PURCHASE IN PACKAGED QUANTITIES ONLY

- Material: UL approved NYLON 66, 94V-2
- Nylon insulated close-end wire connector
- To apply, insert pre-stripped wires into connector tube and crimp it with crimping tool to hold wires firmly even in vibration.
- Insert is copper - tin plated



ITEM NO.	L1	L2	1	2	PACKAGING	AWG
NM22WC01	.275" 6.9mm	.787" 20mm	.094" 2.4mm	.307" 7.8mm	100 pcs	22-16
NM22WC02	.295" 7.5mm	.787" 20mm	.118" 3.0mm	.307" 7.8mm	100 pcs	16-14
NM22WC05	.335" 8.5mm	1.004" 25.5mm	.165" 4.1mm	.409" 10.3mm	100 pcs	12-10
NM22WC08*	.374" 9.5mm	1.071" 27.2mm	.185" 4.7mm	.472" 12.0mm	100 pcs	8

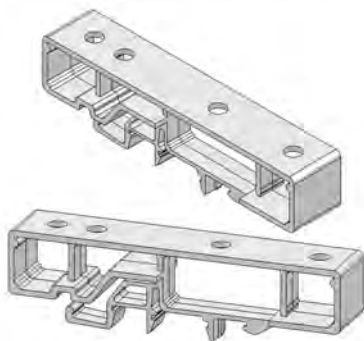
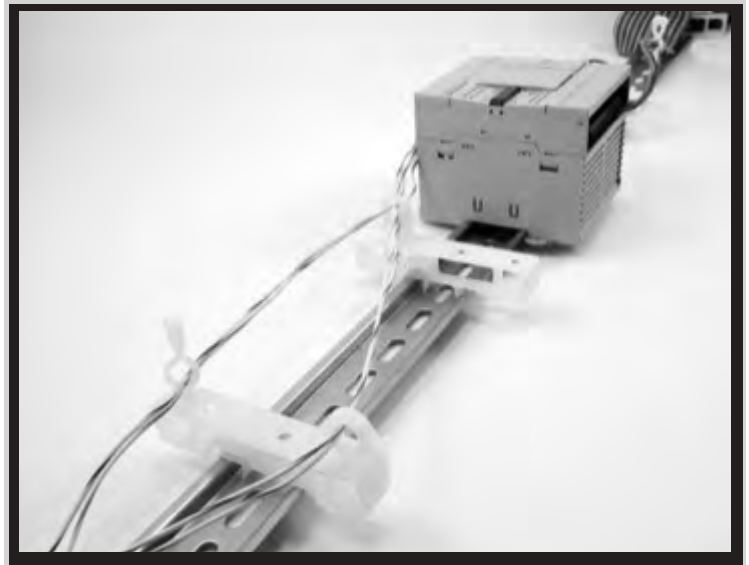
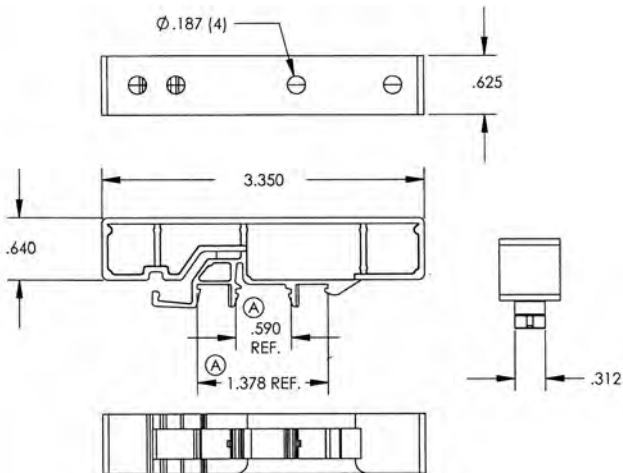
* NOT UL LISTED

WIRE HANDLING HARDWARE

SECTION
VII

DINN RAIL CLIP

Molded in **Natural Nylon 6/6**



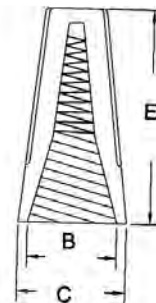
The Dinn Clip attaches to standard Din #2 and #3 rails, and is used to route wire and cables on equipment which uses Din rails. Dinn rails are commonly used on a variety of industrial equipment to mount components on the rails, including PLCs. Until now, there was no product specifically designed for wire/cable routing using the Dinn Rail. The part snaps onto the dinn rail and is easily removable to allow reconfiguration of the wiring. The top of the Dinn Clip accommodates up to 4 wire handling accessory fasteners which mount into the 3/16" diameter (4.8mm) holes on the Dinn Clip. Micro Plastics, Inc. manufactures many wire handling clips which work in conjunction with the Dinn Clip including clips for ribbon cables, wire tie mounts, EZ twist lock mounts, and a wide variety of other clips including other manufacturer's clips - virtually any part that mounts in a 3/16" diameter hole and a 1/16" panel. The Dinn Clip is molded of nylon 6/6 which is an electrical insulator and UL rated 94-V2 for flammability.

ITEM NUMBER	DESCRIPTION
23DRC001	Dinn Rail Clip

SCREW ON WIRE CONNECTORS

PARTS ARE PACKAGED 100 PIECES PER BAG • PURCHASE IN PACKAGED QUANTITIES ONLY

- Material: PVC Shell with spring inserted
- Strip wires before application
- Maximum temperature 105°C - 221°F



ITEM NO.	COLOR	B	C	E	WIRE COMBINATION	
NM22SWC71	Grey	.240"	6.1mm	.338"	8.5mm .598"	15mm MIN#20X1+#22X1 MAX#16X2
NM22SWC72	Blue	.280"	7.1mm	.385"	9.7mm .693"	17.8mm MIN#20X3 MAX#16X3
NM22SWC73	Orange	.374"	9.5mm	.496"	12.6mm .866"	22mm MIN#20X3 MAX#16X3+#18X1
NM22SWC74	Yellow	.425"	10.8mm	.551"	14.0mm .961"	24.4mm MIN#14X1+#18X1 MAX#14X4+#18X1
NM22SWC76	Red	.511"	12.9mm	.645"	16.3mm 1.043"	26.5mm MIN#14X2 MAX#10X2+#12X2

WIRE HANDLING HARDWARE

SECTION VII



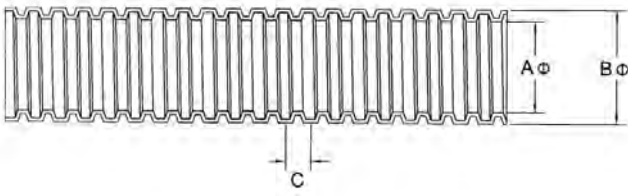
SPLIT LOOM

A split wire loom is a flexible corrugated tube with an easy opening seam down the side for quick wire insertion and removal. The wire loom is extruded from durable black materials, resistant to temperature and corrosion conditions.

Split Loom accommodates any manufacturing application, installing easily to provide the best in wire and harness protection.

Use **Split Loom** around your home on computers and entertainment systems to prevent safety hazards by organizing cords and wires while making them look neat and attractive.

Split Loom is commonly used in the automotive, HVAC and appliance industries manufacturing process. The kink-resistant flexible tubing allows easy routing solutions to direct wiring away from heated and moving parts, while the convoluted surface enhances the appearance with a uniform finish.



SPLIT LOOM

Molded in **Black Polypropylene** - *Split Design*

ITEM NUMBER	SIZE	A REF.	B REF.	C	STANDARD PACKAGING	Code POB Payout Box	Code MG Mini Gaylord	Code BULK Gaylord
22SL0250PP	1/4"	.266" 6.8mm	.395" 10.0mm	.120" 3.05mm	100 ft. roll	200'	4,000'	20,700'
22SL0375PP	3/8"	.419" 10.6mm	.535" 13.6mm	.128" 3.25mm	100 ft. roll	150'	2,000'	10,000'
22SL0500PP	1/2"	.505" 12.8mm	.670" 17.0mm	.143" 3.63mm	100 ft. roll	100'	1,500'	7,500'
22SL0625PP	5/8"	.650" 16.5mm	.825" 21.0mm	.145" 3.68mm	100 ft. roll	75'	900'	5,000'
22SL0750PP	3/4"	.761" 19.3mm	.927" 23.6mm	.144" 3.66mm	100 ft. roll	50'	750'	3,500'
22SL1000PP	1"	.909" 23.1mm	1.033" 26.2mm	.172" 4.37mm	100 ft. roll	40'	500'	3,000'

PURCHASE IN PACKAGED QUANTITIES ONLY

SPLIT LOOM Other Colors Available: ORANGE add code - OR

Molded in **Black Nylon 6** - *Split Design* - ALL BLACK NYLON Split Loom has a GREY stripe.

ITEM NUMBER	SIZE	A REF.	B REF.	C	STANDARD PACKAGING	Code POB Payout Box	Code MG Mini Gaylord	Code BULK Gaylord
22SL0250NYGY	1/4"	.266" 6.8mm	.395" 10.0mm	.120" 3.05mm	100 ft. roll	200'	4,000'	20,700'
22SL0375NYGY	3/8"	.419" 10.6mm	.535" 13.6mm	.128" 3.25mm	100 ft. roll	150'	2,000'	10,000'
22SL0500NYGY	1/2"	.505" 12.8mm	.670" 17.0mm	.143" 3.63mm	100 ft. roll	100'	1,500'	7,500'
22SL0625NYGY	5/8"	.650" 16.5mm	.825" 21.0mm	.145" 3.68mm	100 ft. roll	75'	900'	5,000'
22SL0750NYGY	3/4"	.761" 19.3mm	.927" 23.6mm	.144" 3.66mm	100 ft. roll	50'	750'	3,500'
22SL1000NYGY	1"	.909" 23.1mm	1.033" 26.2mm	.172" 4.37mm	100 ft. roll	40'	500'	3,000'

PURCHASE IN PACKAGED QUANTITIES ONLY

SPLIT LOOM Other Colors Available: RED add code - RD GREEN add code - GR YELLOW add code - YW

Molded in **Black Polyethylene** - *Split Design*

ITEM NUMBER	SIZE	A REF.	B REF.	C	STANDARD PACKAGING	Code POB Payout Box	Code MG Mini Gaylord	Code BULK Gaylord
22SL0250PE	1/4"	.266" 6.8mm	.395" 10.0mm	.120" 3.05mm	100 ft. roll	200'	4,000'	25,000'
22SL0375PE	3/8"	.419" 10.6mm	.535" 13.6mm	.128" 3.25mm	100 ft. roll	150'	2,000'	11,000'
22SL0500PE	1/2"	.505" 12.8mm	.670" 17.0mm	.143" 3.63mm	100 ft. roll	100'	1,500'	8,000'
22SL0625PE	5/8"	.650" 16.5mm	.825" 21.0mm	.145" 3.68mm	100 ft. roll	75'	1,000'	6,000'
22SL0750PE	3/4"	.761" 19.3mm	.927" 23.6mm	.144" 3.66mm	100 ft. roll	50'	750'	4,000'
22SL1000PE	1"	.909" 23.1mm	1.033" 26.2mm	.172" 4.37mm	100 ft. roll	40'	500'	3,000'

PURCHASE IN PACKAGED QUANTITIES ONLY

WIRE HANDLING HARDWARE

SECTION
VII

SPLIT LOOM

Material choices include;

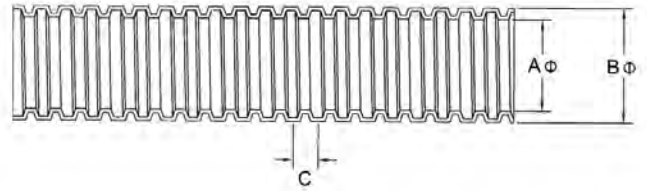
- Standard Polypropylene
- Flame Retardant Polypropylene
- Nylon 6
- Polyethylene



Packaging options include;

- Small quantities of 40 to 200 feet can be packaged in Payout Boxes for ease in dispensing. **Code POB**
- Mini Gaylord boxes can accommodate loom in lengths of 500 to 4,000 feet. **Code MG**
- Bulk ordering in Gaylord boxes and depending on the size, can hold up to 25,000 feet. **Code BULK**

EXAMPLE: 22SL0250 1/4" Polyethylene Red Payout Box
Size Material Code Custom Color Code Custom Packaging Code
PE RD POB



Custom order options include;

- Grey and blue, product identification striping.
- Extruded as corrugate tubing, without the slit opening in the side, for bulk orders.

**MINIMUM ORDER 50M FT
ON COLORED SPLIT LOOM**

SPLIT LOOM

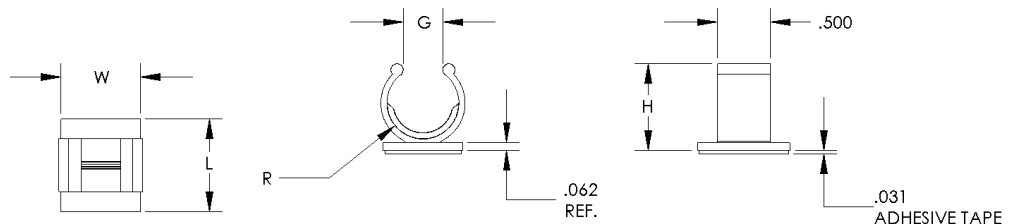
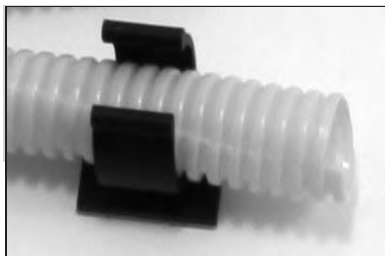
Molded in Black Polypropylene FLAME RETARDANT - Split Design - ALL FR POLYPROPYLENE Split Loom has a BLUE stripe.

ITEM NUMBER	SIZE	A REF.	B REF.	C	STANDARD PACKAGING	Code POB Payout Box	Code MG Mini Gaylord	Code BULK Gaylord
22SL0250FRPPBL	1/4"	.266" 6.8mm	.395" 10.0mm	.120" 3.05mm	100 ft. roll	200'	4,000'	20,700'
22SL0375FRPPBL	3/8"	.419" 10.6mm	.535" 13.6mm	.128" 3.25mm	100 ft. roll	150'	2,000'	10,000'
22SL0500FRPPBL	1/2"	.505" 12.8mm	.670" 17.0mm	.143" 3.63mm	100 ft. roll	100'	1,500'	7,500'
22SL0625FRPPBL	5/8"	.650" 16.5mm	.825" 21.0mm	.145" 3.68mm	100 ft. roll	75'	900'	5,000'
22SL0750FRPPBL	3/4"	.761" 19.3mm	.927" 23.6mm	.144" 3.66mm	100 ft. roll	50'	750'	3,500'
22SL1000FRPPBL	1"	.909" 23.1mm	1.033" 26.2mm	.172" 4.37mm	100 ft. roll	40'	500'	3,000'

PURCHASE IN PACKAGED QUANTITIES ONLY

SPLIT LOOM CLIPS - Adhesive Base

Molded in Black Nylon 6/6



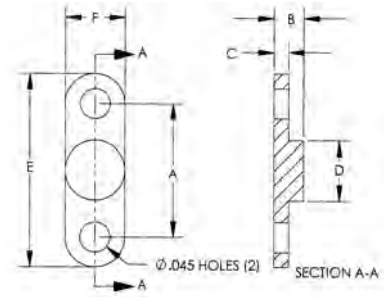
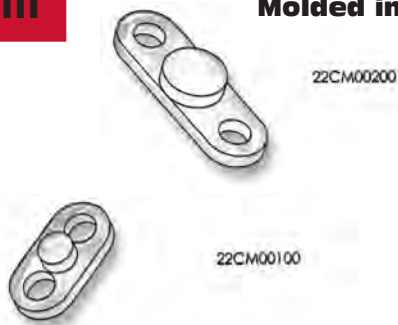
ITEM NUMBER	SIZE	R	G	W	L	H
22SL0250ADCLIP	1/4"	.400 (10,1)	.220 (5,58)	.750 (19,0)	.750 (19,0)	.512 (13,0)
22SL0375ADCLIP	3/8"	.540 (13,7)	.297 (7,54)	.750 (19,0)	.750 (19,0)	.666 (16,9)
22SL0500ADCLIP	1/2"	.680 (17,2)	.374 (9,49)	.750 (19,0)	.875 (22,2)	.819 (20,8)
22SL0625ADCLIP	5/8"	.840 (21,3)	.462 (11,7)	.750 (19,0)	.875 (22,2)	.995 (25,2)
22SL0750ADCLIP	3/4"	.940 (23,8)	.500 (12,7)	1.000 (25,4)	1.000 (25,4)	1.104 (28,0)
22SL1000ADCLIP	1"	1.140 (28,9)	.575 (14,6)	1.000 (25,4)	1.000 (25,4)	1.324 (33,6)

CIRCUIT BOARD HARDWARE

SECTION VIII

CAPACITOR MOUNTS

Molded in **Natural Nylon 6/6**



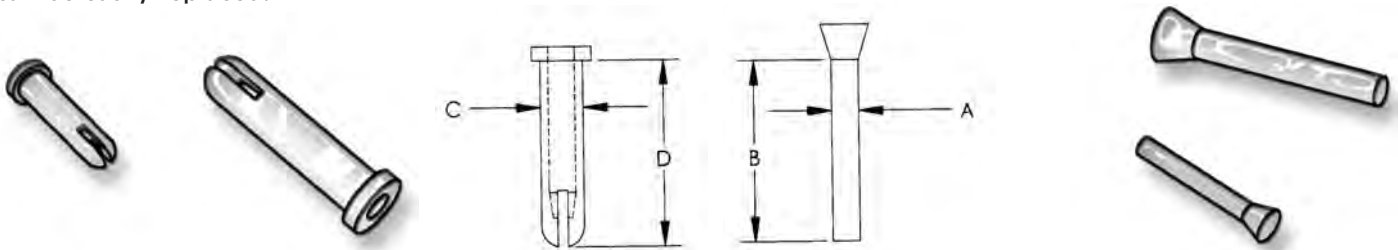
Accurately positions capacitors or discrete components on P.C. Board.

ITEM NUMBER	DESCRIPTION	A	B	C	D	E	F
22CM0100	CM-100	.100 (2,54)	.045 (1,14)	.022 (0,56)	.050/.070 (1,27)/(1,78)	.180 (4,57)	.090 (2,29)
22CM0150	CM-150	.150 (3,81)	.045 (1,14)	.022 (0,56)	.090/.125 (2,29)/(3,18)	.270 (6,86)	.125 (3,18)
22CM0200	CM-200	.200 (5,08)	.045 (1,14)	.022 (0,56)	.090 (2,29)	.290 (7,37)	.090 (2,29)

TWO - PIECE FASTENER FOR USE WITH EDGE CONNECTOR ASSEMBLY

Molded in **Natural Nylon 6/6**

Body Item "A" is inserted through the connector and through the chassis. Pin Item "B" then is pushed or tapped into the body to secure the connector to the chassis. Head design of the pin permits easy removal, connector then can be easily replaced.

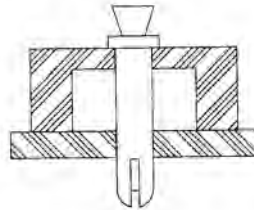


BODY ITEM "A"

ITEM NUMBER	C	D
27TPF0001A	.109 (2,76)	.305 (7,74)
27TPF0002A	.110 (2,79)	.350 (8,88)
27TPF0003A	.110 (2,79)	.480 (12,19)
27TPF0004A	.096 (2,43)	.340 (8,63)

PIN ITEM "B"

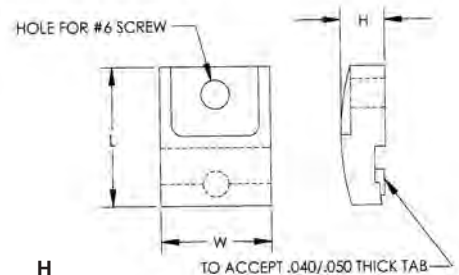
ITEM NUMBER	B	A
27TPF0001B	.330 (8,38)	.069 (1,75)
27TPF0002B	.360 (9,14)	.069 (1,75)
27TPF0003B	.455 (11,55)	.069 (1,75)
27TPF0004B	.340 (8,63)	.062 (1,57)



TRANSISTOR INSULATORS

Molded in **Natural Nylon 6/6**

Transistor insulators are molded in Nylon 6/6 material. The insulators are designed to separate the mounting screw from the transistor. Parts are also available in black glassfilled nylon upon request.



ITEM NUMBER	DESCRIPTION	L LENGTH	W WIDTH	H HEIGHT
21TI001	TRANSISTOR INSULATOR	.680 (17,27)	.476 (12,09)	.219 (5,56)
21TI002	TRANSISTOR INSULATOR	.735 (18,67)	.590 (14,99)	.240 (6,10)

CIRCUIT BOARD HARDWARE

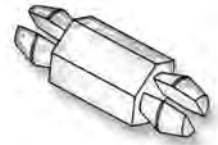
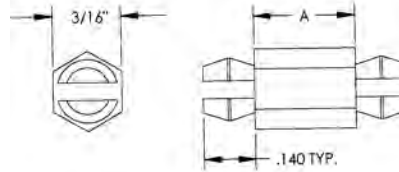
SECTION
VIII

LOCKING HEX SPACERS

Molded in **Natural Nylon 6/6**

Economical Locking Spacers eliminate screws, nuts and lock washers in mounting P.C. boards on metal chassis or stacking in multiple tiers. Unique locking clips provide a mechanically secure, reusable connection in predrilled or punched holes while saving considerable assembly time.

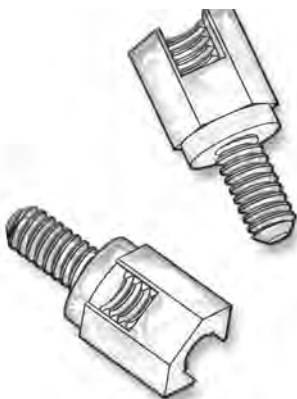
FITS HOLE SIZE OF .152
BOARD THICKNESS 1/16



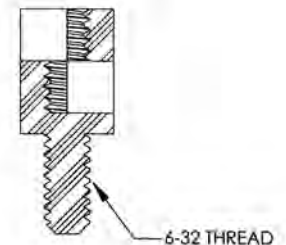
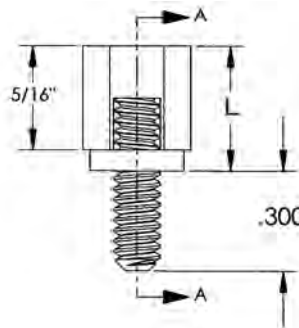
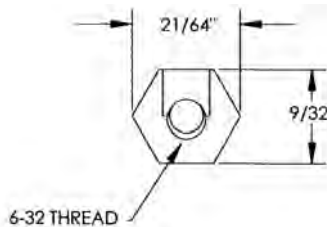
ITEM NUMBER	DESCRIPTION	A
27MPH00276	MPH 276	.276 (7,01)

MALE-FEMALE CIRCUIT BOARD SUPPORT

Molded in **Natural Nylon 6/6**



Nylon 6/6 rated UL94V2
male/female thread with
3/8" board spacing.

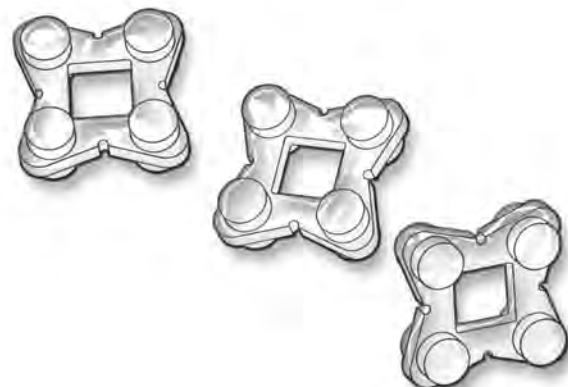
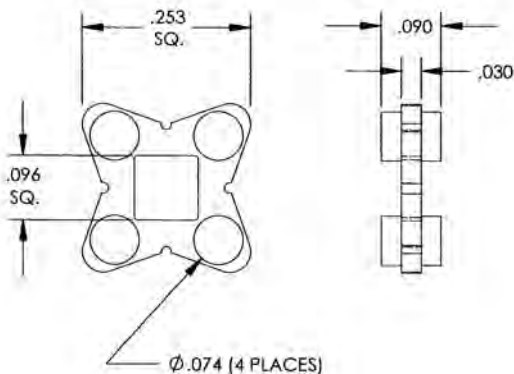


ITEM NUMBER	L	DESCRIPTION
27TMF0375	3/8"	Male-Female Circuit Board Support
27TMF0625	5/8"	Male-Female Circuit Board Support

SQUARE STANDOFF LED MOUNT

Molded in **Natural Nylon 6/6**

LED Mount provides secure mounting of both two and three lead devices. Nylon mount provides protection from heat, shock and vibration. Symmetrical design with feet on both sides eliminating need for specific side rotation.



ITEM NUMBER	DESCRIPTION
18TRM001	TRM 001

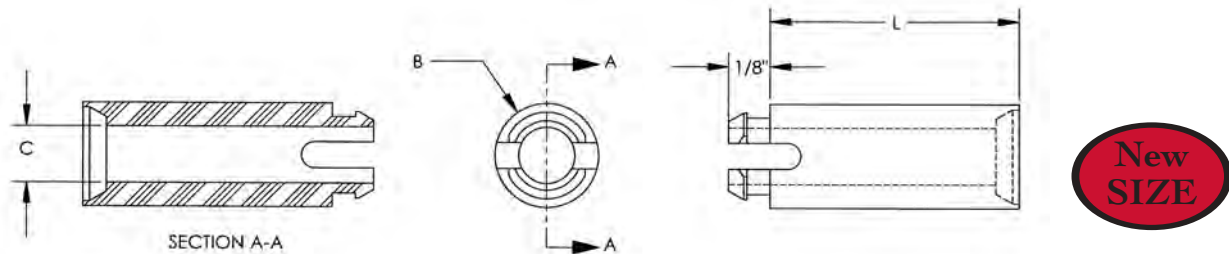
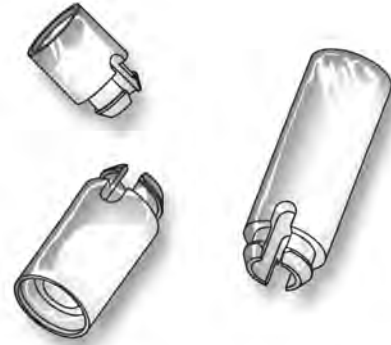
CIRCUIT BOARD HARDWARE

SECTION VIII

STACKABLE SNAP-IN STANDOFF

Molded in **Natural Nylon 6/6**

Micro Plastics' stackable snap-in standoffs are available in #4, #6, and #8 screw sizes from 1/8" long to 1" long. Standoffs are molded in Nylon 6/6 material and are also available in UL94-VO Nylon. Part snaps into board and maintains spacing when screw is removed. Parts are stackable, self-aligning, and self-retaining to provide screw insulation in multi-level applications.

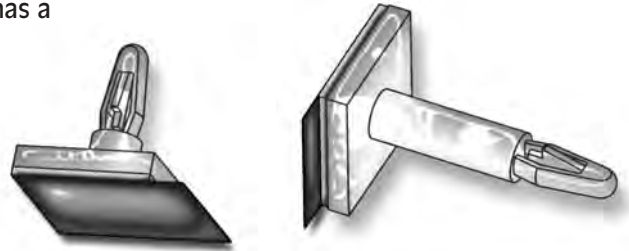
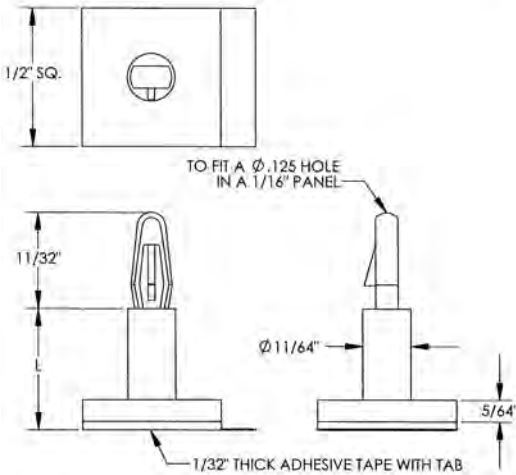


ITEM NUMBER	DESCRIPTION	SCREW SIZE	B	C	L	MOUNTING HOLE	PANEL THICKNESS
13STS004012	#4 X 1/8"	Snap-in Standoff #4	*.260 (6,60)	.125 (3,18)	1/8 (3,18)	.187 (4,75)	.062 (1,57)
13STS004018	#4 X 3/16"	Snap-in Standoff #4	*.260 (6,60)	.125 (3,18)	3/16 (4,75)	.187 (4,75)	.062 (1,57)
13STS004025	#4 X 1/4"	Snap-in Standoff #4	*.260 (6,60)	.125 (3,18)	1/4 (6,35)	.187 (4,75)	.062 (1,57)
13STS004031	#4 X 5/16"	Snap-in Standoff #4	*.260 (6,60)	.125 (3,18)	5/16 (7,94)	.187 (4,75)	.062 (1,57)
13STS004037	#4 X 3/8"	Snap-in Standoff #4	*.260 (6,60)	.125 (3,18)	3/8 (9,53)	.187 (4,75)	.062 (1,57)
13STS004043	#4 X 7/16"	Snap-in Standoff #4	*.260 (6,60)	.125 (3,18)	7/16 (11,11)	.187 (4,75)	.062 (1,57)
13STS004050	#4 X 1/2"	Snap-in Standoff #4	*.260 (6,60)	.125 (3,18)	1/2 (12,70)	.187 (4,75)	.062 (1,57)
13STS004062	#4 X 5/8"	Snap-in Standoff #4	*.260 (6,60)	.125 (3,18)	5/8 (15,88)	.187 (4,75)	.062 (1,57)
13STS004068	#4 X 11/16"	Snap-in Standoff #4	*.260 (6,60)	.125 (3,18)	11/16 (1,73)	.187 (4,75)	.062 (1,57)
13STS006025	#6 X 1/4"	Snap-in Standoff #6	5/16 (7,94)	.153 (3,88)	1/4 (6,35)	.234 (5,94)	.062 (1,57)
13STS006031	#6 X 5/16"	Snap-in Standoff #6	5/16 (7,94)	.153 (3,88)	5/16 (7,94)	.234 (5,94)	.062 (1,57)
13STS006037	#6 X 3/8"	Snap-in Standoff #6	5/16 (7,94)	.153 (3,88)	3/8 (9,53)	.234 (5,94)	.062 (1,57)
13STS006043	#6 X 7/16"	Snap-in Standoff #6	5/16 (7,94)	.153 (3,88)	7/16 (11,11)	.234 (5,94)	.062 (1,57)
13STS006050	#6 X 1/2"	Snap-in Standoff #6	5/16 (7,94)	.153 (3,88)	1/2 (12,70)	.234 (5,94)	.062 (1,57)
13STS006062	#6 X 5/8"	Snap-in Standoff #6	5/16 (7,94)	.153 (3,88)	5/8 (15,88)	.234 (5,94)	.062 (1,57)
13STS006075	#6 X 3/4"	Snap-in Standoff #6	5/16 (7,94)	.153 (3,88)	3/4 (19,05)	.234 (5,94)	.062 (1,57)
13STS006087	#6 X 7/8"	Snap-in Standoff #6	5/16 (7,94)	.153 (3,88)	7/8 (22,23)	.234 (5,94)	.062 (1,57)
13STS006100	#6 X 1"	Snap-in Standoff #6	5/16 (7,94)	.153 (3,88)	1 (25,40)	.234 (5,94)	.062 (1,57)
13STS008025	#8 X 1/4"	Snap-in Standoff #8	5/16 (7,94)	.169 (4,29)	1/4 (6,35)	.234 (5,94)	.062 (1,57)
13STS008031	#8 X 5/16"	Snap-in Standoff #8	5/16 (7,94)	.169 (4,29)	5/16 (7,94)	.234 (5,94)	.062 (1,57)
13STS008037	#8 X 3/8"	Snap-in Standoff #8	5/16 (7,94)	.169 (4,29)	3/8 (9,53)	.234 (5,94)	.062 (1,57)
13STS008043	#8 X 7/16"	Snap-in Standoff #8	5/16 (7,94)	.169 (4,29)	7/16 (11,11)	.234 (5,94)	.062 (1,57)
13STS008050	#8 X 1/2"	Snap-in Standoff #8	5/16 (7,94)	.169 (4,29)	1/2 (12,70)	.234 (5,94)	.062 (1,57)
13STS008062	#8 X 5/8"	Snap-in Standoff #8	5/16 (7,94)	.169 (4,29)	5/8 (15,88)	.234 (5,94)	.062 (1,57)
13STS008075	#8 X 3/4"	Snap-in Standoff #8	5/16 (7,94)	.169 (4,29)	3/4 (19,05)	.234 (5,94)	.062 (1,57)
13STS008087	#8 X 7/8"	Snap-in Standoff #8	5/16 (7,94)	.169 (4,29)	7/8 (22,23)	.234 (5,94)	.062 (1,57)
13STS008093	#8 X 1/8"	Snap-in Standoff #8	5/16 (7,94)	.169 (4,29)	15/16" (23,79)	.234 (5,94)	.062 (1,57)
13STS008100	#8 X 1"	Snap-in Standoff #8	5/16 (7,94)	.169 (4,29)	1 (25,40)	.234 (5,94)	.062 (1,57)

MINI LOCKING P.C.B. SUPPORT

Molded in **Natural Nylon 6/6**

Micro Plastics' adhesive based mini locking printed circuit board supports are molded in natural colored Nylon 6/6 material. Ideal for smaller sized circuit boards. Double adhesive foam tape has a release tab for easy removal of backing.

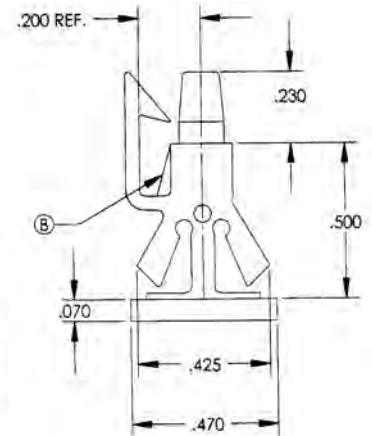


ITEM NUMBER	DESCRIPTION	"L"
27MLAD0187TAB	MLAD 187	3/16" (4,76)
27MLAD0250TAB	MLAD 250	1/4" (6,35)
27MLAD0312TAB	MLAD 312	5/16" (7,93)
27MLAD0375TAB	MLAD 375	3/8" (9,52)
27MLAD0437TAB	MLAD 437	7/16" (11,11)
27MLAD0500TAB	MLAD 500	1/2" (12,70)
27MLAD0562TAB	MLAD 562	9/16" (14,28)
27MLAD0625TAB	MLAD 625	5/8" (15,87)



Heavy duty nylon 6/6 support snaps into P.C. board from bottom. Locking arm clips to the side of the P.C. board making for easy removal and replacement of P.C. boards. Support does not rotate in chassis or positioning holes. Board clearance may vary depending on chassis thickness. Parts are molded in black nylon.

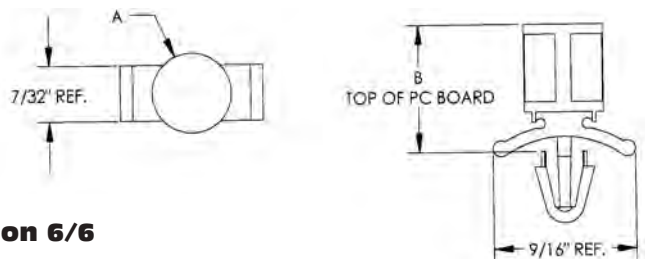
When ordering parts in natural nylon, use "N" as a suffix.



HEAVY DUTY P.C.B. SUPPORT

Molded in **Black Nylon 6/6**

ITEM NUMBER	BOARD CLEARANCE	HOLE DIA.	HOLE SIZE
27HDEC00500	.430 (10,92) -.460 (11,68)	.157 (3,99)	.312 (7,92) X .375 (9,53)



PUSH SPACERS

Molded in **Natural Nylon 6/6**

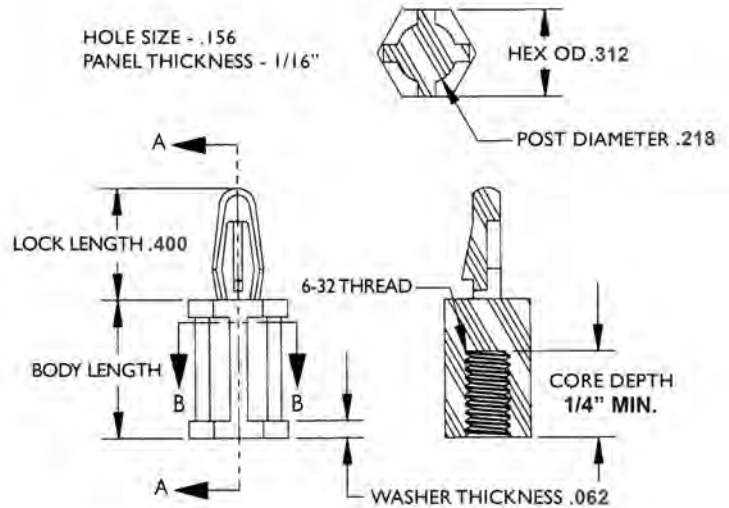
ITEM NUMBER	A	B	PANEL THICKNESS	HOLE SIZE
27PS00250	9/32 (7,14)	5/16 (7,93)	.062 (1,57)	.187 (4,75)
27PS00500	5/16 (7,93)	1/2 (12,70)	.093 (2,29)	.187 (4,75)
27PS00500A	5/16 (7,93)	1/2 (12,70)	.062 (1,57)	.187 (4,75)
27PS00625	9/32 (7,14)	11/16 (17,46)	.062 (1,57)	.187 (4,75)

CIRCUIT BOARD HARDWARE

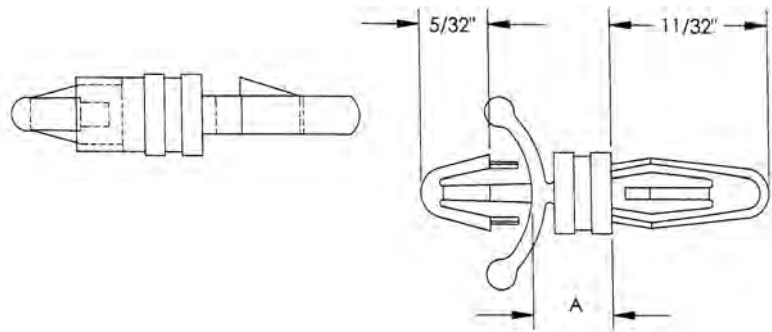
SECTION VIII

FEMALE CIRCUIT BOARD POSTS

Molded in **Natural Nylon 6/6**



ITEM NUMBER	DESCRIPTION	BODY LENGTH
27FTP00375A	FTA-A 375	.375 (9,53)
27FTP00500A	FTA-A 500	.500 (12,70)
27FTP00625A	FTA-A 625	.625 (15,88)
27FTP00750A	FTA-A 750	.750 (19,05)
27FTP00875A	FTA-A 875	.875 (22,23)
27FTP01000A	FTA-A 1000	1.000 (25,40)
27FTP01125A	FTA-A 1125	1.125 (28,58)
27FTP01250A	FTA-A 1250	1.250 (31,75)
27FTP01406A	FTA-A 1406	1.406 (35,71)



BOTH ENDS
HOLE DIAMETER .125
PANEL THICKNESS 1/16"



P.C.B. SUPPORTS

Molded in **Natural Nylon 6/6**

ITEM NUMBER	DESCRIPTION	A
27MLLP0187	MLLP 187	.187 (4,75)
27MLLP0250	MLLP 250	.250 (6,35)
27MLLP0375	MLLP 375	.375 (9,53)
27MLLP0437	MLLP 437	.437 (11,10)
27MLLP0500	MLLP 500	.500 (12,70)
27MLLP0562	MLLP 562	.562 (14,27)
27MLLP0625	MLLP 625	.625 (15,88)

CIRCUIT BOARD HARDWARE

SECTION
VIII

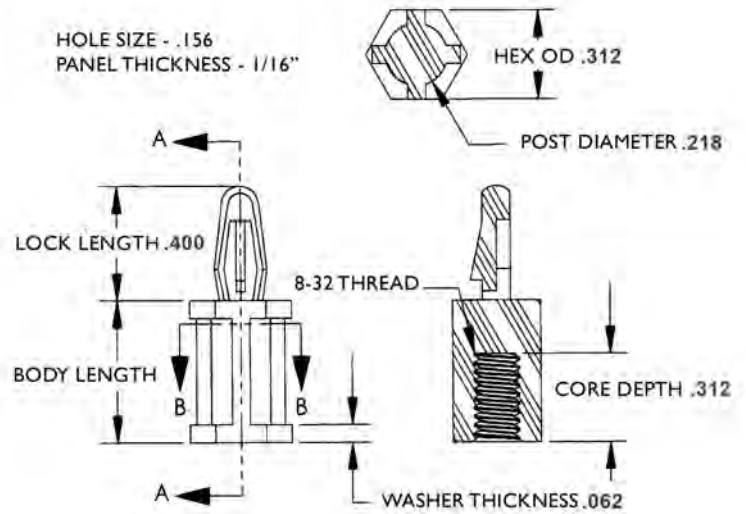
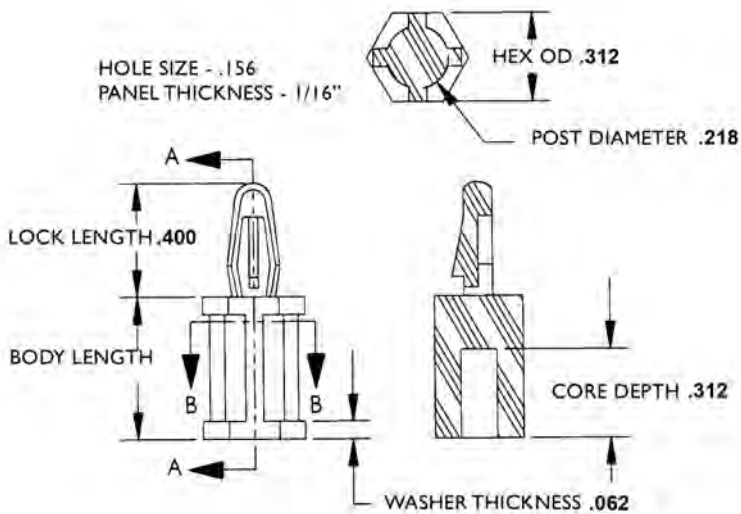
FEMALE CIRCUIT BOARD POSTS

Molded in **Natural Nylon 6/6**



NOTE: SELF-THREADING POSTS ARE DESIGNED FOR USE WITH A #6 SELF-TAPPING SCREW.

PANEL THICKNESS 1/16"



SELF-THREADING

ITEM NUMBER	DESCRIPTION	BODY LENGTH
27FSTP00250*	FSTP 250	.250 (6,35)
27FSTP00375	FSTP 375	.375 (9,53)
27FSTP00500	FSTP 500	.500 (12,70)
27FSTP00625	FSTP 625	.625 (15,88)
27FSTP00750	FSTP 750	.750 (19,05)
27FSTP00875	FSTP 875	.875 (22,23)
27FSTP01000	FSTP 1000	1.000 (25,40)
27FSTP01125	FSTP 1125	1.125 (28,58)
27FSTP01250	FSTP 1250	1.250 (31,75)
27FSTP01406	FSTP 1406	1.406 (35,71)

* 1/4" length has a thread depth of 13/64"

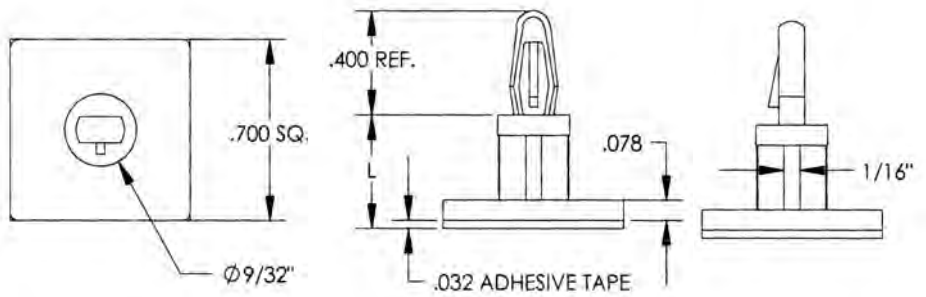
THREADED

ITEM NUMBER	DESCRIPTION	BODY LENGTH
27FTP00250*	FTP 250	.250 (6,35)
27FTP00375	FTP 375	.375 (9,53)
27FTP00500	FTP 500	.500 (12,70)
27FTP00625	FTP 625	.625 (15,88)
27FTP00750	FTP 750	.750 (19,05)
27FTP00875	FTP 875	.875 (22,23)
27FTP01000	FTP 1000	1.000 (25,40)
27FTP01125	FTP 1125	1.125 (28,58)
27FTP01250	FTP 1250	1.250 (31,75)
27FTP01406	FTP 1406	1.406 (35,71)

* 1/4" length has a thread depth of 13/64"

CIRCUIT BOARD HARDWARE

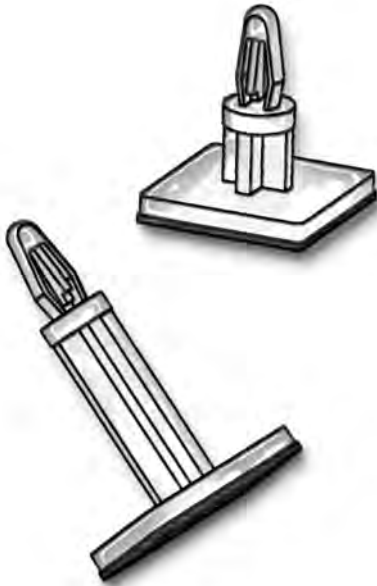
SECTION VIII



FITS RECOMMENDED HOLE SIZE OF .156 - PANEL THICKNESS 1/16"

LOCKING P.C.B. SUPPORT ON ADHESIVE BASE

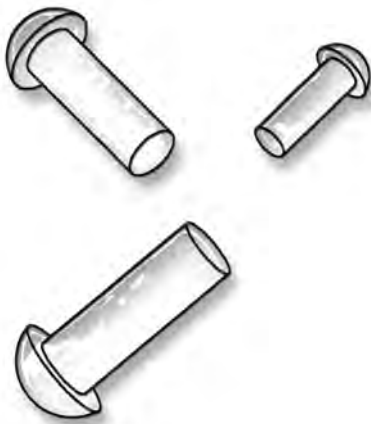
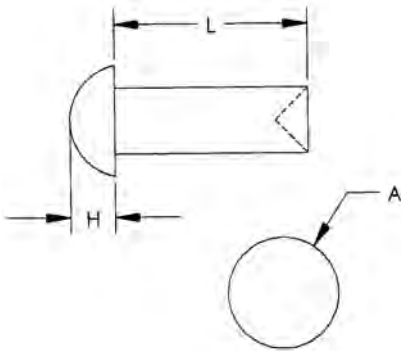
Molded in **Natural Nylon 6/6**



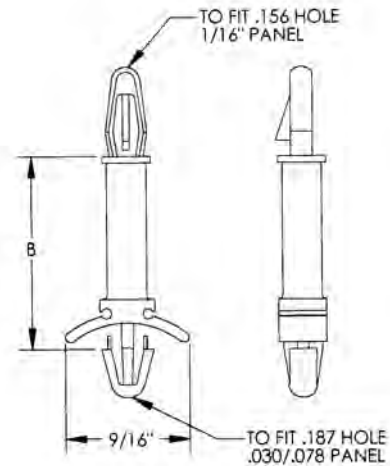
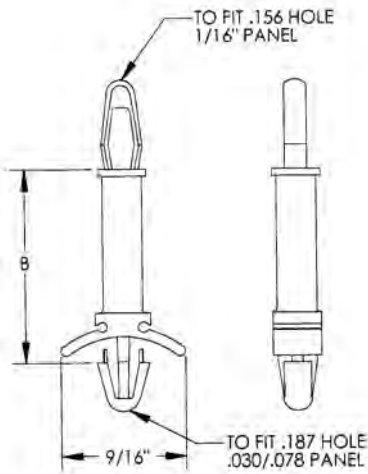
ITEM NUMBER	DESCRIPTION	"L"
27LAD0187	LAD 187	.187 (4,75)
27LAD0250	LAD 250	.250 (6,35)
27LAD0312	LAD 312	.312 (7,92)
27LAD0375	LAD 375	.375 (9,53)
27LAD0500	LAD 500	.500 (12,70)
27LAD0625	LAD 625	.625 (15,88)
27LAD0750	LAD 750	.750 (19,05)
27LAD0875	LAD 875	.875 (22,23)
27LAD1000	LAD 1000	1.000 (25,40)
27LAD1125	LAD 1125	1.125 (28,56)

MOLDED ACETAL RIVETS

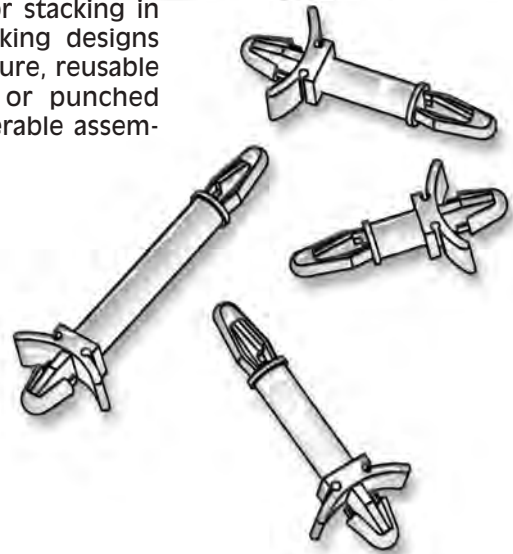
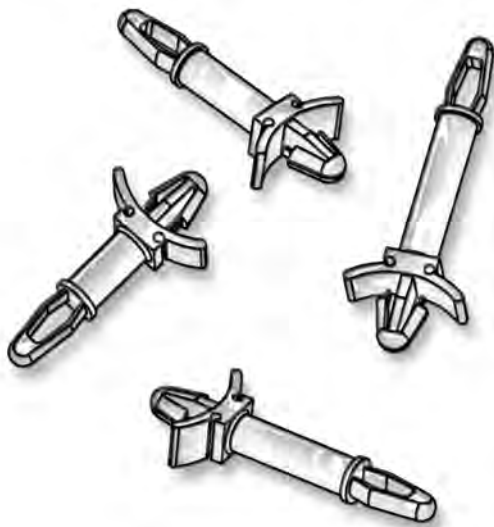
Molded in **Natural Acetal**



ITEM NUMBER	DESCRIPTION	SHANK	A	H	L LENGTH
26RIV001	RIV 1	.085 (2,16)	.143 (3,63)	.058 (1,47)	1/8 (3,18)
26RIV002	RIV 2	.085 (2,16)	.143 (3,63)	.058 (1,47)	3/16 (4,76)
26RIV003	RIV 3	.085 (2,16)	.143 (3,63)	.058 (1,47)	1/4 (6,35)
26RIV004	RIV 4	.085 (2,16)	.143 (3,63)	.058 (1,47)	5/16 (7,94)
26RIV005	RIV 5	.085 (2,16)	.143 (3,63)	.058 (1,47)	3/8 (9,53)
26RIV006	RIV 6	.085 (2,16)	.143 (3,63)	.058 (1,47)	7/16 (11,11)
26RIV007	RIV 7	.085 (2,16)	.143 (3,63)	.058 (1,47)	1/2 (12,70)
26RIV011	RIV11	.125 (3,18)	.250 (6,35)	.068 (1,73)	1/8 (3,18)
26RIV012	RIV12	.125 (3,18)	.250 (6,35)	.068 (1,73)	3/16 (4,76)
26RIV013	RIV13	.125 (3,18)	.250 (6,35)	.068 (1,73)	1/4 (6,35)
26RIV014	RIV14	.125 (3,18)	.250 (6,35)	.068 (1,73)	5/16 (7,94)
26RIV015	RIV15	.125 (3,18)	.250 (6,35)	.068 (1,73)	3/8 (9,53)
26RIV016	RIV16	.125 (3,18)	.250 (6,35)	.068 (1,73)	7/16 (11,11)
26RIV017	RIV17	.125 (3,18)	.250 (6,35)	.068 (1,73)	1/2 (12,70)
26RIV018	RIV18	.125 (3,18)	.250 (6,35)	.068 (1,73)	9/16 (14,29)
26RIV019	RIV19	.125 (3,18)	.250 (6,35)	.068 (1,73)	5/8 (15,88)
26RIV020	RIV20	.125 (3,18)	.250 (6,35)	.068 (1,73)	11/16 (17,46)
26RIV021	RIV21	.125 (3,18)	.218 (5,54)	.090 (2,29)	1/8 (3,18)
26RIV022	RIV22	.125 (3,18)	.218 (5,54)	.090 (2,29)	3/16 (4,76)
26RIV023	RIV23	.125 (3,18)	.218 (5,54)	.090 (2,29)	1/4 (6,35)
26RIV024	RIV24	.125 (3,18)	.218 (5,54)	.090 (2,29)	5/16 (7,94)
26RIV025	RIV25	.125 (3,18)	.218 (5,54)	.090 (2,29)	3/8 (9,53)
26RIV026	RIV26	.125 (3,18)	.218 (5,54)	.090 (2,29)	1/2 (12,70)
26RIV050	RIV50	.125 (3,18)	.255 (6,48)	.051 (1,30)	1/4 (6,35)
26RIV055	RIV55	.125 (3,18)	.255 (6,48)	.051 (1,30)	3/8 (9,53)



Micro Plastics' Circuit Board Supports eliminate screws, nuts, and lockwashers in mounting printed circuit boards on metal chassis or stacking in multiple tiers. Unique locking designs provide a mechanically secure, reusable connection in predrilled or punched holes while saving considerable assembly time and expense.



"LOCK/TENSION" SERIES P.C.B. SUPPORTS

Molded in **Natural Nylon 6/6**

THE "LTP" SERIES IS DESIGNED TO SECURELY LOCK TO THE BOTTOM CHASSIS AND SNAP INTO TOP BOARD.

ITEM NUMBER	DESCRIPTION	B
27LTP0187	3/16" LOCK/TENSION	.307 (7,80)
27LTP0250	1/4" LOCK/TENSION	.365 (9,27)
27LTP0375	3/8" LOCK/TENSION	.479 (12,16)
27LTP0437	7/16" LOCK/TENSION	.557 (14,15)
27LTP0500	1/2" LOCK/TENSION	.625 (15,88)
27LTP0625	5/8" LOCK/TENSION	.745 (18,92)
27LTP0750	3/4" LOCK/TENSION	.870 (22,10)
27LTP0875	7/8" LOCK/TENSION	.995 (25,27)
27LTP1000	1" LOCK/TENSION	1.120 (28,45)
27LTP1125	1 1/8" LOCK/TENSION	1.245 (31,62)
27LTP1250	1 1/4" LOCK/TENSION	1.370 (34,80)
27LTP1375	1 3/8" LOCK/TENSION	1.495 (37,97)
27LTP1750	1 3/4" LOCK/TENSION	1.810 (45,97)

"LOCK/LOCK" SERIES P.C.B. SUPPORTS

Molded in **Natural Nylon 6/6**

THE "LLP" SERIES IS DESIGNED TO SECURELY LOCK BOTH THE CHASSIS END AND THE PRINTED CIRCUIT BOARD ON TOP.

ITEM NUMBER	DESCRIPTION	B
27LLP0125	1/8" LOCK/LOCK	.210 (5,33)
27LLP0187	3/16" LOCK/LOCK	.307 (7,80)
27LLP0250	1/4" LOCK/LOCK	.365 (9,27)
27LLP0375	3/8" LOCK/LOCK	.495 (12,57)
27LLP0437	7/16" LOCK/LOCK	.557 (14,15)
27LLP0500	1/2" LOCK/LOCK	.625 (15,88)
27LLP0625	5/8" LOCK/LOCK	.745 (18,92)
27LLP0750	3/4" LOCK/LOCK	.870 (22,10)
27LLP0875	7/8" LOCK/LOCK	.995 (25,27)
27LLP1000	1" LOCK/LOCK	1.120 (28,45)
27LLP1125	1 1/8" LOCK/LOCK	1.245 (31,62)
27LLP1250	1 1/4" LOCK/LOCK	1.370 (34,80)
27LLP1375	1 3/8" LOCK/LOCK	1.495 (37,97)
27LLP1750	1 3/4" LOCK/LOCK	1.810 (45,97)

CIRCUIT BOARD HARDWARE

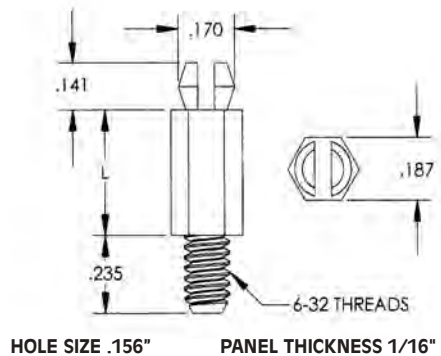
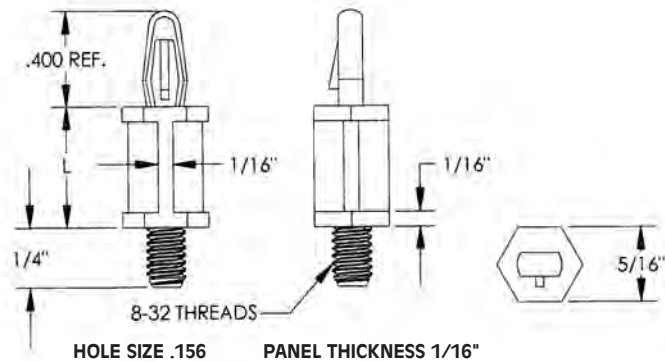
SECTION VIII

LOCKING MINIATURE SUPPORT POSTS "MLSP" SERIES

Molded in **Natural Nylon 6/6**



ITEM NUMBER	A	HOLE SIZE	PANEL THICKNESS	SHANK STYLE
27MLSP00187	.187 (4,75)	.125 (3,18)	.062 (1,57)	B
27MLSP00312	.312 (7,92)	.125 (3,18)	.062 (1,57)	A
27MLSP00562	.562 (14,27)	.125 (3,18)	.062 (1,57)	A
27MLSP00625	.625 (15,88)	.125 (3,18)	.062 (1,57)	A



**METRIC Sizes
Also Available**

Page 284

"LOCKING LMTP" SERIES MALE PCB SUPPORT POSTS

Molded in **Natural Nylon 6/6**

ITEM NUMBER	DESCRIPTION	L
27LMTP00250	LMTP 250	.250 (6,35)
27LMTP00375	LMTP 375	.375 (9,53)
27LMTP00500	LMTP 500	.500 (12,70)
27LMTP00625	LMTP 625	.625 (15,88)
27LMTP00750	LMTP 750	.750 (19,05)
27LMTP00875	LMTP 875	.875 (22,23)
27LMTP01000	LMTP 1000	1.000 (25,40)
27LMTP01125	LMTP 1125	1.125 (28,58)
27LMTP01500	LMTP 1500	1.500 (38,10)

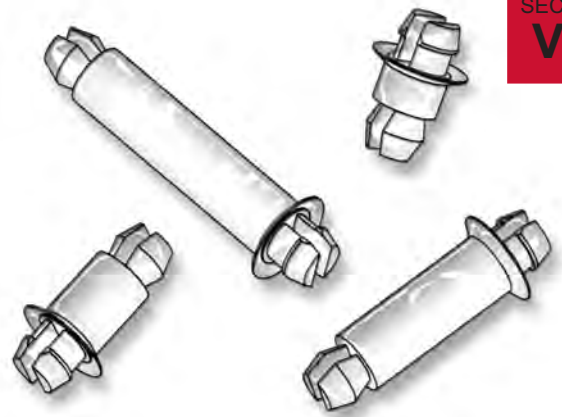
"MTP" SERIES MALE PCB SUPPORT POSTS

Molded in **Natural Nylon 6/6**

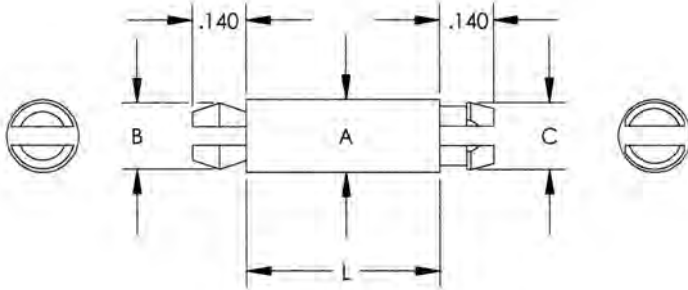
ITEM NUMBER	DESCRIPTION	L
27MTP00125	MTP 125	.125 (3,18)
27MTP00187	MTP 187	.187 (4,75)
27MTP00250	MTP 250	.250 (6,35)
27MTP00375	MTP 375	.375 (9,53)
27MTP00395	MTP 395	.395 (10,03)
27MTP00500	MTP 500	.500 (12,70)
27MTP00625	MTP 625	.625 (15,88)
27MTP00750	MTP 750	.750 (19,05)
27MTP00875	MTP 875	.875 (22,23)

CIRCUIT BOARD HARDWARE

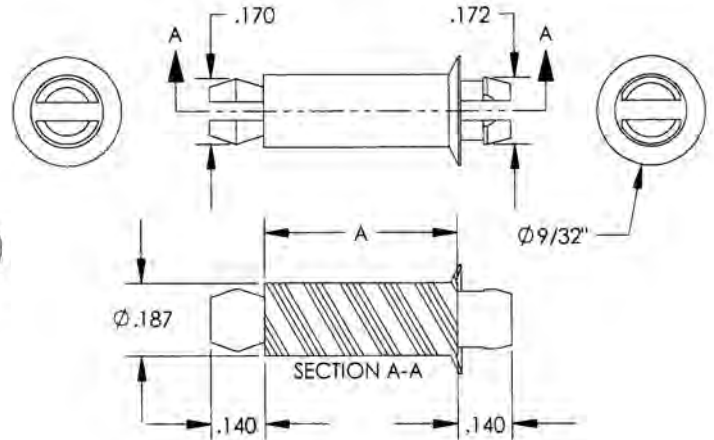
SECTION
VIII



Economical locking spacers eliminate screws, nuts and lock washers in mounting P.C. Boards on metal chassis or stacking in multiple tiers. Unique locking clips provide a mechanically secure, reusable connection in predrilled or punched holes while saving considerable assembly time. The new improved "MSP" series greatly increases stability and integrity of the printed circuit board assembly, while improving the pull-out strength of the connection.



RECOMMENDED HOLE SIZE .156"
PANEL THICKNESS 1/16"



PARTS CAN BE FURNISHED COLOR CODED FOR IDENTIFICATION.

"MP" SERIES P.C.B. POSTS

Molded in **Natural Nylon 6/6**

METRIC Sizes
Also Available
Page 284

"MSP" SERIES P.C.B. POSTS

Molded in **Natural Nylon 6/6**

* FITS HOLE SIZE OF .093"

ITEM NUMBER	DESCRIPTION	"L"	"A"	"B"	"C"
27MP00125	MP 125	.125 (3,18)	.187 (4,75)	.170 (4,32)	.172 (4,37)
27MP00197	MP 197	.197 (5,00)	.187 (4,75)	.170 (4,32)	.172 (4,37)
27MP00250	MP 250	.250 (6,35)	.187 (4,75)	.170 (4,32)	.172 (4,37)
27MP00312	MP 312	.312 (7,92)	.187 (4,75)	.170 (4,32)	.172 (4,37)
27MP00375	MP 375	.375 (9,53)	.187 (4,75)	.170 (4,32)	.172 (4,37)
27MP00437	MP 437	.437 (11,11)	.187 (4,75)	.170 (4,32)	.172 (4,37)
* 27MP00437S	MP 437S	.437 (11,11)	.125 (3,18)	.104 (2,64)	.108 (2,74)
27MP00500	MP 500	.500 (12,70)	.187 (4,75)	.170 (4,32)	.172 (4,37)
27MP00625	MP 625	.625 (15,88)	.187 (4,75)	.170 (4,32)	.172 (4,37)
27MP00750	MP 750	.750 (19,05)	.187 (4,75)	.170 (4,32)	.172 (4,37)
27MP00875	MP 875	.875 (22,23)	.187 (4,75)	.170 (4,32)	.172 (4,37)
27MP01000	MP1000	1.00 (25,40)	.187 (4,75)	.170 (4,32)	.172 (4,37)
27MP01950	MP1950	1.95 (49,53)	.187 (4,75)	.170 (4,32)	.172 (4,37)

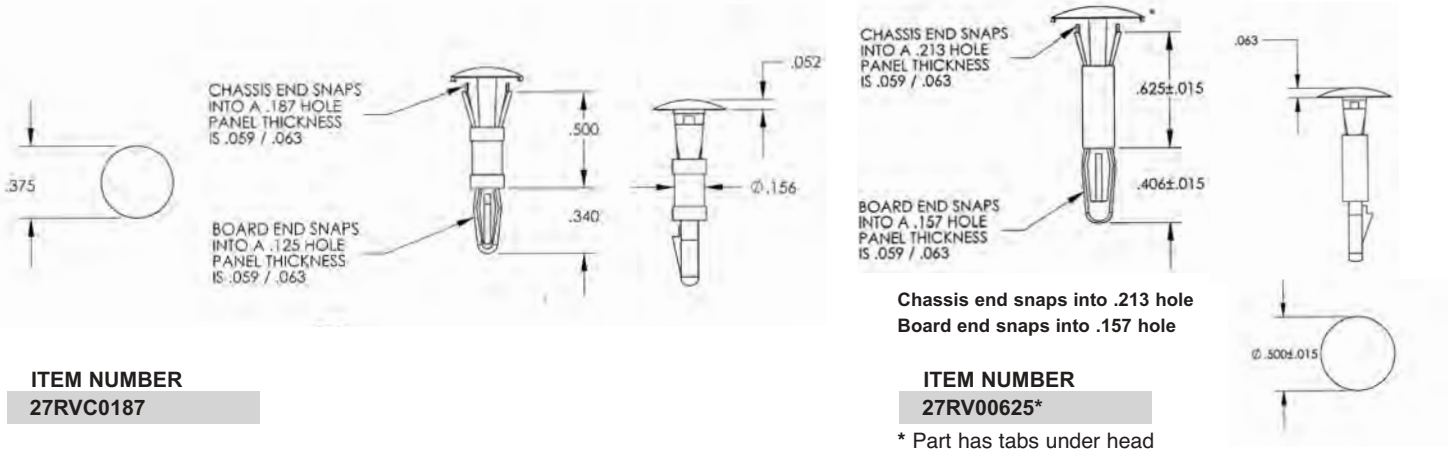
ITEM NUMBER	DESCRIPTION	"A"
27MSP00125	MSP 125	.125 (3,18)
27MSP00156	MSP 156	.156 (3,96)
27MSP00250	MSP 250	.250 (6,35)
27MSP00276	MSP 276	.276 (7,00)
27MSP00312	MSP 312	.312 (7,92)
27MSP00375	MSP 375	.375 (9,53)
27MSP00437	MSP 437	.437 (11,11)
27MSP00472	MSP 472	.472 (12,00)
27MSP00500	MSP 500	.500 (12,70)
27MSP00625	MSP 625	.625 (15,88)
27MSP00700	MSP 700	.690 (17,53)
27MSP00750	MSP 750	.750 (19,05)
27MSP00875	MSP 875	.875 (22,23)
27MSP01000	MSP1000	1.00 (25,40)
27MSP01800	MSP1800	1.80 (45,72)

CIRCUIT BOARD HARDWARE

SECTION VIII

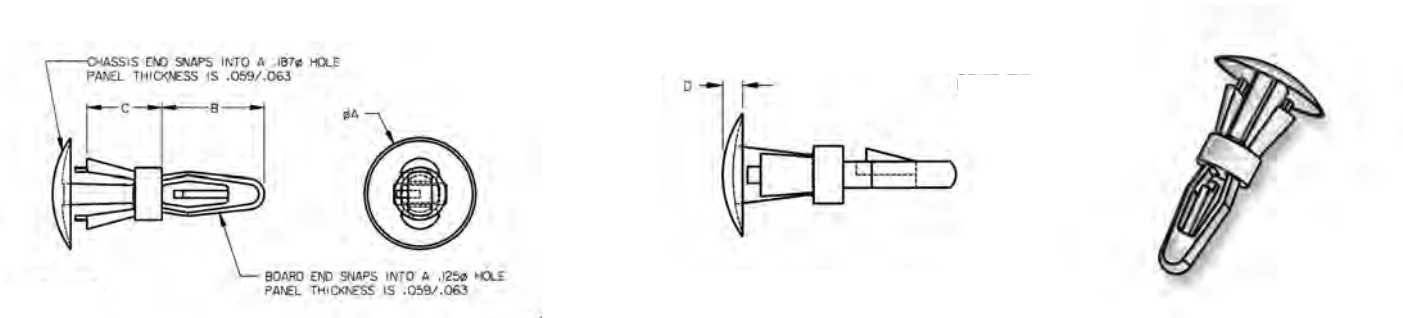
REVERSE LOCKING CIRCUIT BOARD SUPPORTS

Molded in **Natural Nylon 6/6**

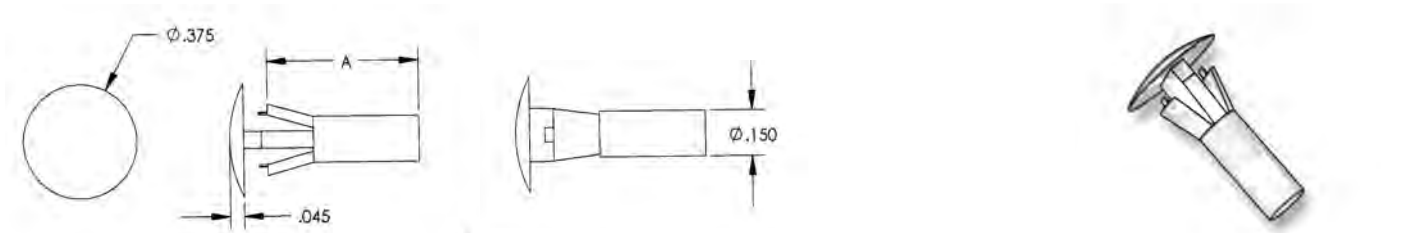


REVERSE LOCKING CIRCUIT BOARD SUPPORTS

Molded in **Natural Nylon 6/6**



ITEM NUMBER	DESCRIPTION	A	B	C	D
27RV00250	RV 250	.375 (9,53)	11/32" (8,71)	.255 (6,48)	.060 (1,52)
27RV00375	RV 375	.375 (9,53)	11/32" (8,71)	.375 (9,53)	.060 (1,52)
27RV00500A	RV 500A	3/8" (9,53)	.340 (8,63)	.500 (12,70)	.052 (1,32)



REVERSE LOCKING CIRCUIT BOARD SUPPORT STANDOFF

Molded in **Natural Nylon 6/6**

ITEM NUMBER	DESCRIPTION	HEAD DIA.	BODY DIA.	HEAD HEIGHT	HOLE SIZE	A
27RVS00250	RVS 250	.375 (9,53)	.150 (3,81)	.045 (1,14)	.187 (4,75)	.250 (6,35)
27RVS00375	RVS 375	.375 (9,53)	.150 (3,81)	.045 (1,14)	.187 (4,75)	.375 (9,53)
27RVS00500*	RVS 500	.375 (9,53)	.150 (3,81)	.045 (1,14)	.187 (4,75)	.500 (12,70)
27RVS00625*	RVS 625	.375 (9,53)	.150 (3,81)	.045 (1,14)	.187 (4,75)	.625 (15,88)

*Chassis end snaps into .187 hole • Panel thickness .059/.063

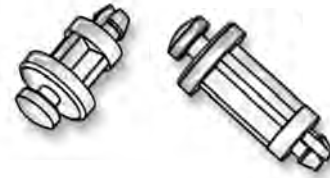
CIRCUIT BOARD HARDWARE

SECTION
VIII

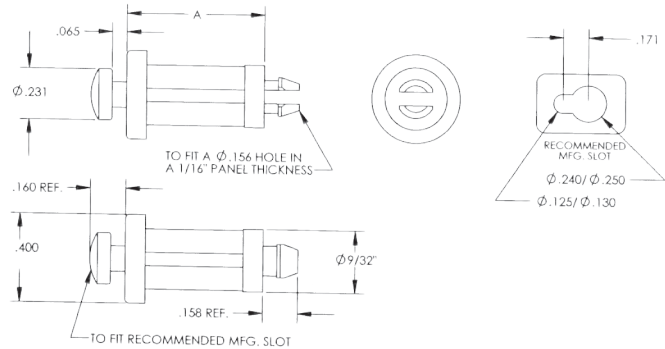
KEY-SLOT P.C.B. POSTS

Molded in **Natural Nylon 6/6**

For use in combination with a key-slot hole so that the circuit board may be removed for repairs.



ITEM NUMBER	DESCRIPTION	A
27KYP00187	KYP 187	3/16 (4,8)
27KYP00250	KYP 250	1/4 (6,4)
27KYP00375	KYP 375	3/8 (9,5)
27KYP00500	KYP 500	1/2 (12,7)
27KYP00625	KYP 625	5/8 (15,9)
27KYP00750	KYP 750	3/4 (19,1)
27KYP00875	KYP 875	7/8 (22,2)
27KYP01000	KYP 1000	1 (25,4)

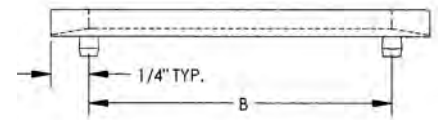
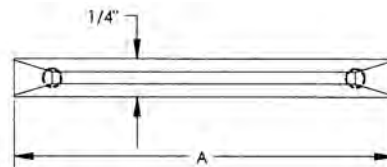


P.C. BOARD CARD GUIDES

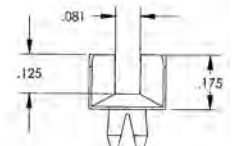
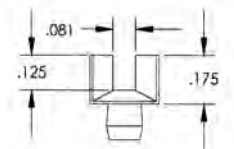
Molded in **Natural Nylon 6/6**

Micro Plastics' Printed Circuit Board Support Guides are an economical and fast solution to mount P.C. Boards. Card insertion is simple and fast. The smooth positive channel guides the P.C. Board and firmly supports and protects the board. Guides are molded of tough, electrically insulating nylon 6/6 and are designed to snap into pre-punched holes in the chassis. Micro Plastics has available the eight most popular sizes. Other sizes will be tooled on request.

The Printed Circuit Board Card Guide is designed to fit a .125" front diameter hole and a .120" x .218" slot rear hole.



ITEM NUMBER	DESCRIPTION	A	B	LEG DESIGN
21CGS00250WS	2 1/2" GUIDE WITH SPLIT LEGS	2.5 (63,50)	2.0 (50,80)	Slotted Leg Design
21CGS00250	2 1/2" GUIDE	2.5 (63,50)	2.0 (50,80)	Solid Leg Design
21CGS00300WS	3" GUIDE WITH SPLIT LEGS	3.0 (76,20)	2.5 (63,50)	Slotted Leg Design
21CGS00300	3" GUIDE	3.0 (76,20)	2.5 (63,50)	Solid Leg Design
21CGS00350WS	3 1/2" GUIDE WITH SPLIT LEGS	3.5 (88,90)	3.0 (76,20)	Slotted Leg Design
21CGS00350	3 1/2" GUIDE	3.5 (88,90)	3.0 (76,20)	Solid Leg Design
21CGS00400WS	4" GUIDE WITH SPLIT LEGS	4.0 (101,60)	3.5 (88,90)	Slotted Leg Design
21CGS00400	4" GUIDE	4.0 (101,60)	3.5 (88,90)	Solid Leg Design
21CGS00450WS	4 1/2" GUIDE WITH SPLIT LEGS	4.5 (114,30)	4.0 (101,60)	Slotted Leg Design
21CGS00450	4 1/2" GUIDE	4.5 (114,30)	4.0 (101,60)	Solid Leg Design
21CGS00500WS	5" GUIDE WITH SPLIT LEGS	5.0 (127,00)	4.5 (114,30)	Slotted Leg Design
21CGS00500	5" GUIDE	5.0 (127,00)	4.5 (114,30)	Solid Leg Design
21CGS00550WS	5 1/2" GUIDE WITH SPLIT LEGS	5.5 (139,70)	5.0 (127,00)	Slotted Leg Design
21CGS00550	5 1/2" GUIDE	5.5 (139,70)	5.0 (127,00)	Solid Leg Design
21CGS00600WS	6" GUIDE WITH SPLIT LEGS	6.0 (139,70)	5.5 (139,70)	Slotted Leg Design
21CGS00600	6" GUIDE	6.0 (139,70)	5.5 (139,70)	Solid Leg Design



CIRCUIT BOARD HARDWARE

SECTION VIII

CIRCUIT BOARD POSTS

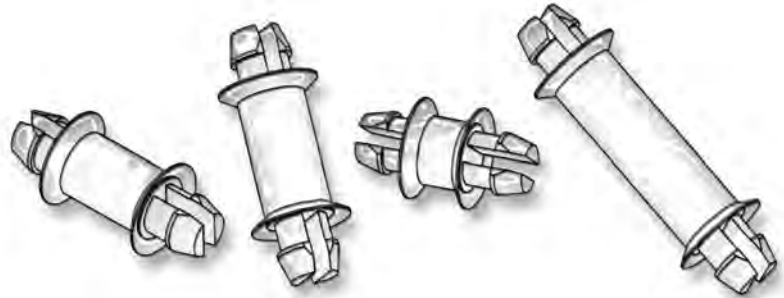
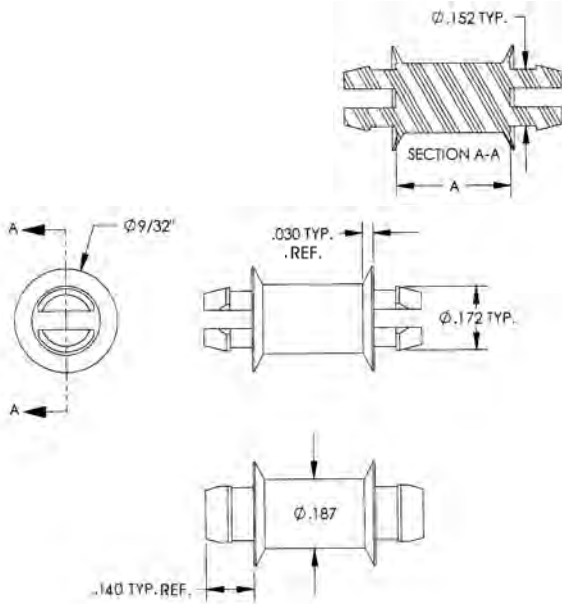
Molded in **Natural Nylon 6/6**

HOLE "DSP" SERIES - BOTH ENDS FITS A .156" HOLE
PANEL THICKNESS 1/16"

"DSP" SERIES

ITEM NUMBER	DESCRIPTION	"A"
27DSP00125	DSP 125	.125 (3,18)
27DSP00229	DSP 229	.230 (5,84)
27DSP00250	DSP 250	.250 (6,35)
27DSP00260	DSP 260	.260 (6,60)
27DSP00276	DSP 276	.276 (7,00)
27DSP00312	DSP 312	.312 (7,92)
27DSP00375	DSP 375	.375 (9,53)
27DSP00437	DSP 437	.437 (11,11)
27DSP00472	DSP 472	.472 (12,00)
27DSP00500	DSP 500	.500 (12,70)
27DSP00625	DSP 625	.625 (15,88)
27DSP00750	DSP 750	.750 (19,05)
27DSP00788	DSP 788	.788 (20,02)
27DSP00875	DSP 875	.875 (22,23)
27DSP01000*	DSP 1000	1.000 (25,40)
27DSP01250	DSP 1250	1.250 (31,75)

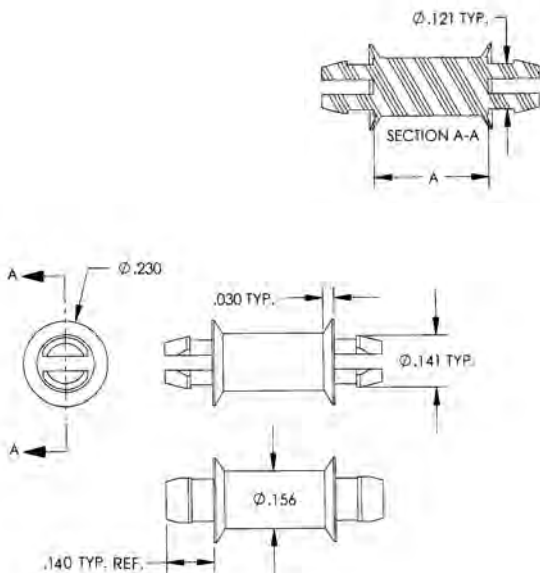
* Skirt thickness is .040



HOLE "DMSP" SERIES - BOTH ENDS FIT A .125" HOLE
PANEL THICKNESS 1/16"

"DMSP" SERIES

ITEM NUMBER	DESCRIPTION	"A"
27DMSP00125	DMSP 125	.125 (3,18)
27DMSP00250	DMSP 250	.250 (6,35)
27DMSP00312	DMSP 312	.312 (7,92)
27DMSP00375	DMSP 375	.375 (9,53)
27DMSP00437	DMSP 437	.437 (11,11)
27DMSP00500	DMSP 500	.500 (12,70)
27DMSP00625	DMSP 625	.625 (15,88)
27DMSP00720	DMSP 720	.720 (18,29)
27DMSP00750	DMSP 750	.750 (19,05)
27DMSP00820	DMSP 820	.820 (20,83)
27DMSP00875	DMSP 875	.875 (22,23)
27DMSP00950	DMSP 950	.950 (24,13)
27DMSP01000	DMSP 1000	1.000 (25,40)

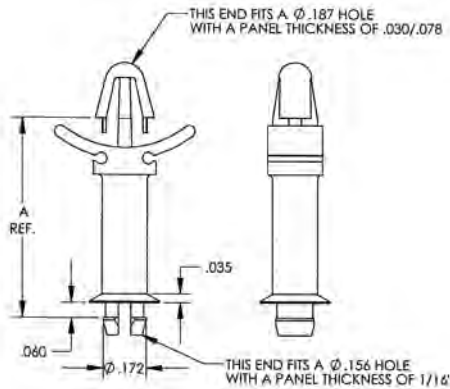


P.C.B. SUPPORTS

Molded in **Natural Nylon 6/6**



"LSP" SERIES



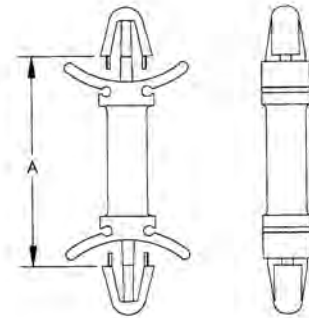
"LSP" SERIES -

MSP END FITS A .156" HOLE
LOCKING END FITS .187" HOLE
PANEL THICKNESS .030 / .078

"A" * EQUAL TO THE
DISTANCE OVER PANELS.

ITEM NUMBER	DESCRIPTION	"A" *
27LSP00187	LSP 187	.380 (9,65)
27LSP00250	LSP 250	.437 (11,09)
27LSP00375	LSP 375	.560 (14,22)
27LSP00437	LSP 437	.625 (15,87)
27LSP00500	LSP 500	.697 (17,70)
27LSP00625	LSP 625	.815 (20,70)
27LSP00750	LSP 750	.935 (23,74)
27LSP00875	LSP 875	1.065 (27,05)
27LSP01000	LSP 1000	1.192 (30,27)
27LSP01125	LSP 1125	1.314 (33,37)
27LSP01250	LSP 1250	1.440 (36,57)
27LSP01375	LSP 1375	1.558 (39,57)

"DLP" SERIES



"DLP" SERIES -

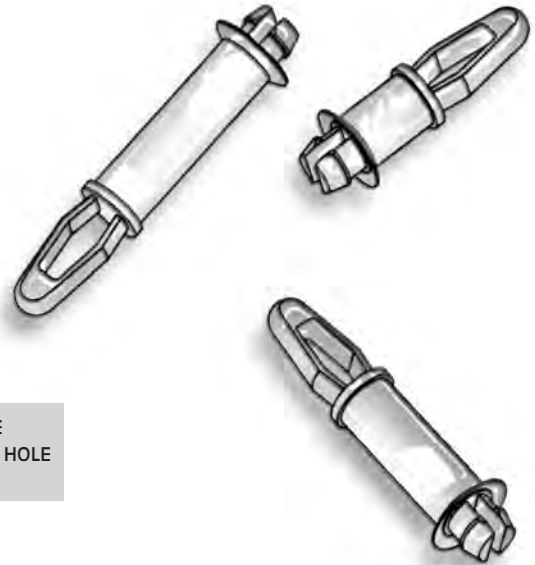
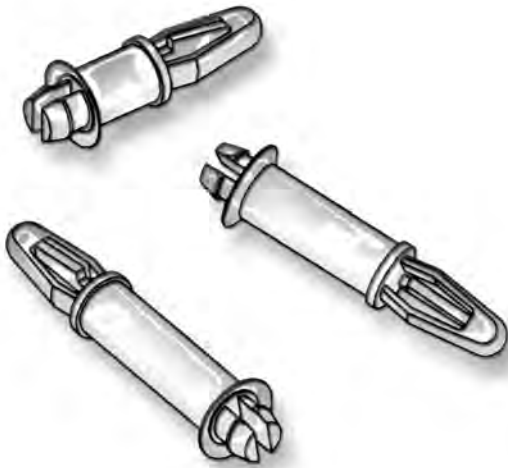
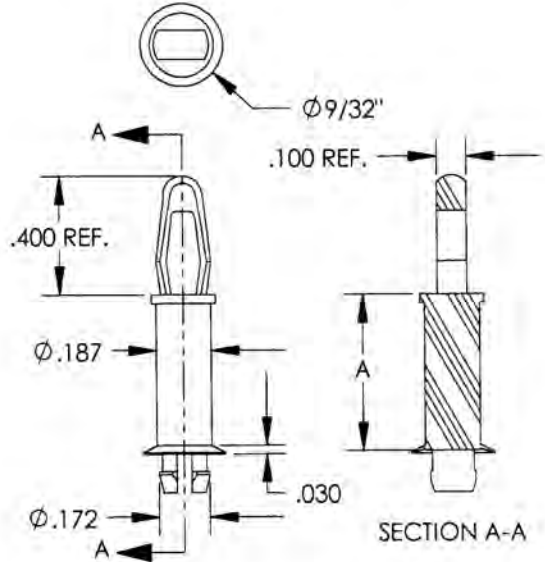
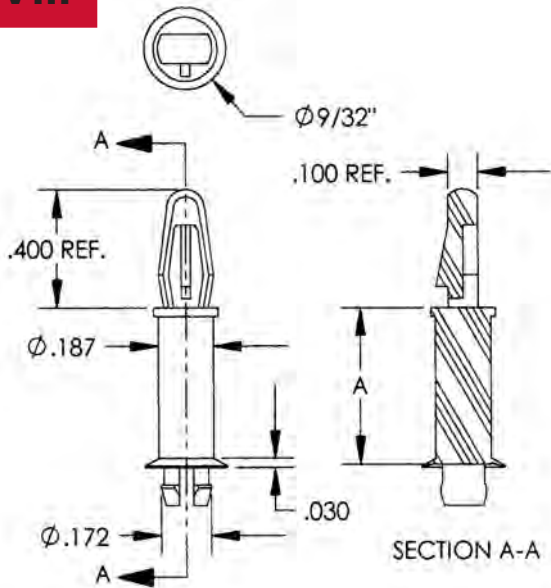
BOTH ENDS FIT A .187" HOLE
PANEL THICKNESS .030 / .078

"A" * EQUAL TO THE
DISTANCE OVER PANELS.

ITEM NUMBER	DESCRIPTION	"A" *
27DLP00187	DLP 187	.307 (7,80)
27DLP00250	DLP 250	.365 (9,27)
27DLP00295	DLP 295	.422 (10,72)
27DLP00375	DLP 375	.495 (12,57)
27DLP00437	DLP 437	.557 (14,15)
27DLP00500	DLP 500	.625 (15,88)
27DLP00625	DLP 625	.745 (18,92)
27DLP00750	DLP 750	.870 (22,10)
27DLP00875	DLP 875	.995 (25,27)
27DLP01000	DLP 1000	1.120 (28,45)
27DLP01125	DLP 1125	1.245 (31,62)
27DLP01250	DLP 1250	1.370 (34,80)
27DLP01375	DLP 1375	1.495 (37,97)
27DLP01831	DLP 1831	1.831 (46,51)

CIRCUIT BOARD HARDWARE

SECTION VIII



SPRING END FITS .156" HOLE
 LOCK OR TENSION END FITS .156" HOLE
 PANEL THICKNESS 1/16"

"LCSP" SERIES P.C.B. SUPPORTS

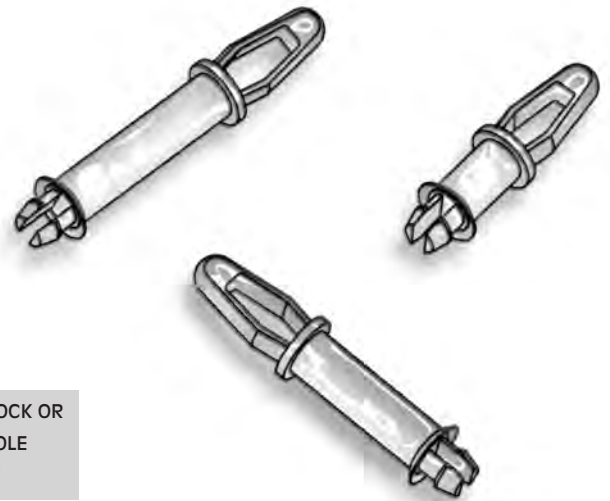
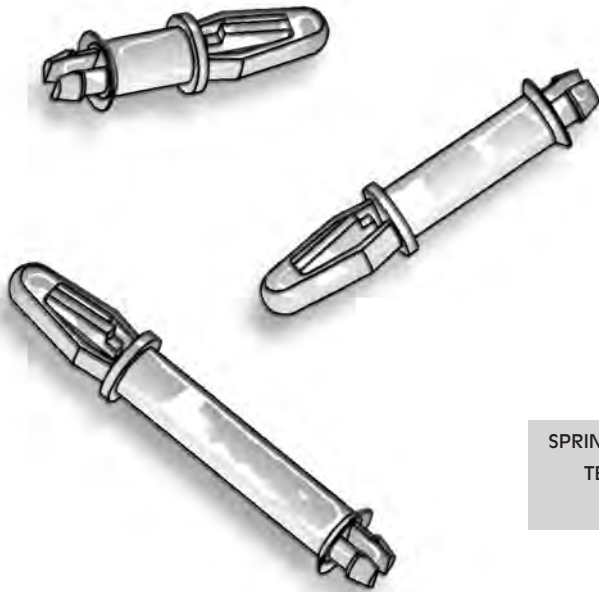
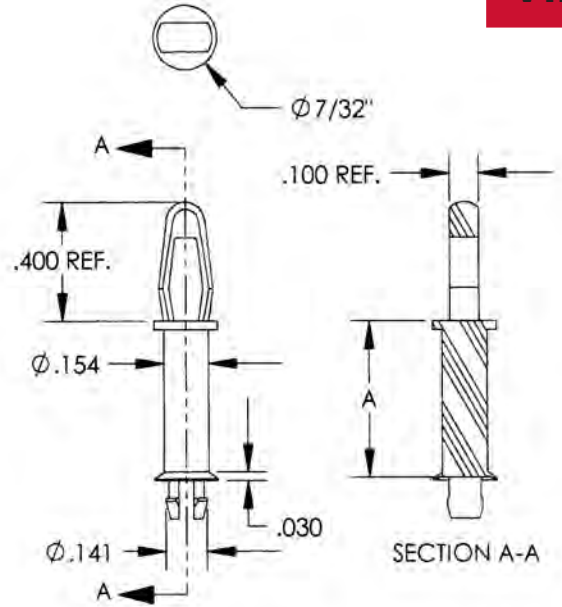
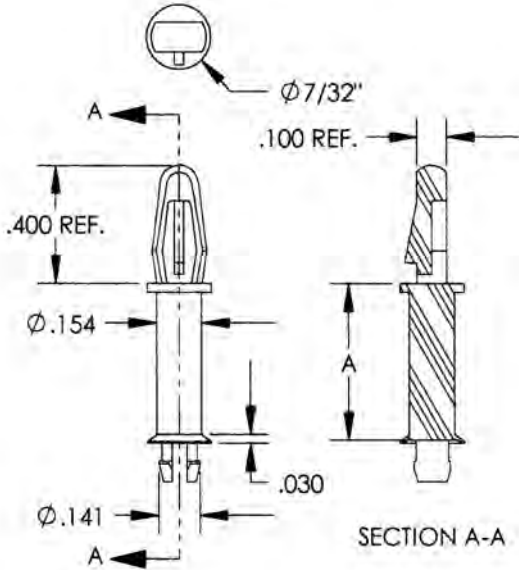
Molded in **Natural Nylon 6/6**

ITEM NUMBER	DESCRIPTION	"A"
27LCSP00125	LCSP 125	.125 (3,18)
27LCSP00250	LCSP 250	.250 (6,35)
27LCSP00312	LCSP 312	.312 (7,92)
27LCSP00375	LCSP 375	.375 (9,53)
27LCSP00437	LCSP 437	.437 (11,11)
27LCSP00500	LCSP 500	.500 (12,70)
27LCSP00625	LCSP 625	.625 (15,88)
27LCSP00750	LCSP 750	.750 (19,05)
27LCSP00875	LCSP 875	.875 (22,23)
27LCSP01000	LCSP 1000	1.000 (25,40)

"TCSP" SERIES P.C.B. SUPPORTS

Molded in **Natural Nylon 6/6**

ITEM NUMBER	DESCRIPTION	"A"
27TCSP00125	TCSP 125	.125 (3,18)
27TCSP00250	TCSP 250	.250 (6,35)
27TCSP00312	TCSP 312	.312 (7,92)
27TCSP00375	TCSP 375	.375 (9,53)
27TCSP00437	TCSP 437	.437 (11,11)
27TCSP00500	TCSP 500	.500 (12,70)
27TCSP00625	TCSP 625	.625 (15,88)
27TCSP00750	TCSP 750	.750 (19,05)
27TCSP00875	TCSP 875	.875 (22,23)
27TCSP01000	TCSP 1000	1.000 (25,40)



SPRING END FITS .156" HOLE LOCK OR
TENSION END FITS .125" HOLE
PANEL THICKNESS 1/16"

"LMS" SERIES P.C.B. SUPPORTS

Molded in Natural Nylon 6/6

ITEM NUMBER	DESCRIPTION	"A"
27LMSP00125	LMSP 125 .125 (3,18)	
27LMSP00250	LMSP 250 .250 (6,35)	
27LMSP00312	LMSP 312 .312 (7,92)	
27LMSP00375	LMSP 375 .375 (9,53)	
27LMSP00437	LMSP 437 .437 (11,11)	
27LMSP00500	LMSP 500 .500 (12,70)	
27LMSP00625	LMSP 625 .625 (15,88)	
27LMSP00750	LMSP 750 .750 (19,05)	
27LMSP00875	LMSP 875 .875 (22,23)	
27LMSP01000	LMSP 1000 1.000 (25,40)	

"TMS" SERIES P.C.B. SUPPORTS

Molded in Natural Nylon 6/6

ITEM NUMBER	DESCRIPTION	"A"
27TMSP00125	TMSP 125 .125 (3,18)	
27TMSP00250	TMSP 250 .250 (6,35)	
27TMSP00312	TMSP 312 .312 (7,92)	
27TMSP00375	TMSP 375 .375 (9,53)	
27TMSP00437	TMSP 437 .437 (11,11)	
27TMSP00500	TMSP 500 .500 (12,70)	
27TMSP00625	TMSP 625 .625 (15,88)	
27TMSP00750	TMSP 750 .750 (19,05)	
27TMSP00875	TMSP 875 .875 (22,23)	
27TMSP01000	TMSP 1000 1.000 (25,40)	

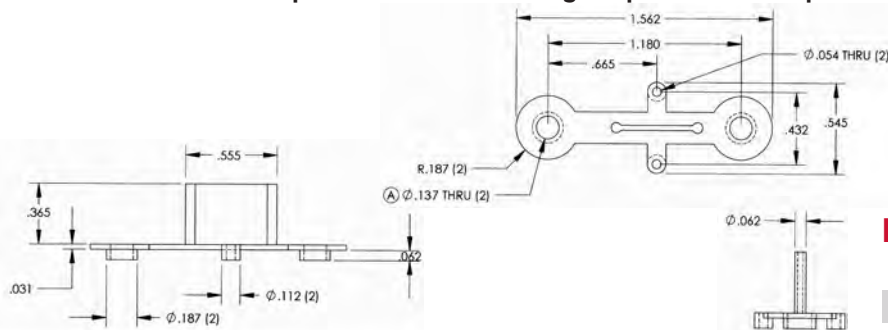
CIRCUIT BOARD HARDWARE

SECTION VIII

POWER TRANSISTOR MOUNTS

Simplify power transistor mountings and insulation, and improve thermal efficiency with molded insulators. These insulators are molded of Type 66 Nylon for regular applications and of Glass Filled Polyester for heavy-duty uses. They replace up to six pieces of conventional insulation required with previous mountings. They also increase the amount of interface surface between device and sink by minimizing clearance holes required for all feed-thru connectors. They also have a built-in barrier which not only eliminates need for sleeving of base and emitter connections but also serves as an assembly aid during installation.

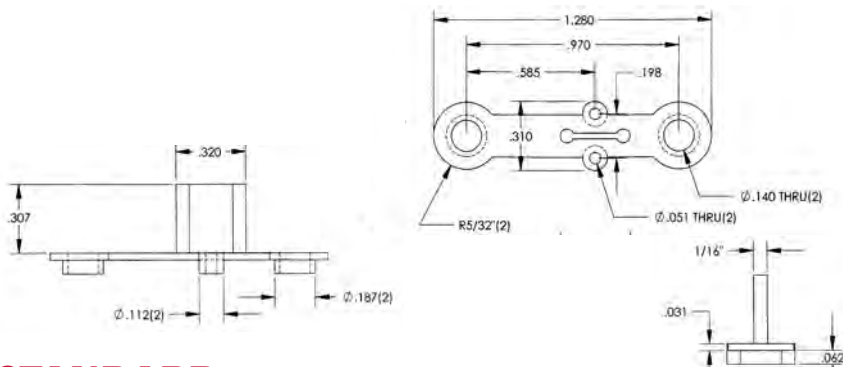
Deca BDE compliant material for foreign export available upon request. Please specify when ordering.



PTI-1 for TO-3

ITEM NUMBER	DESCRIPTION
19PT11	PTI-1
18PT11WOB	PTI-1 W/O BARRIER

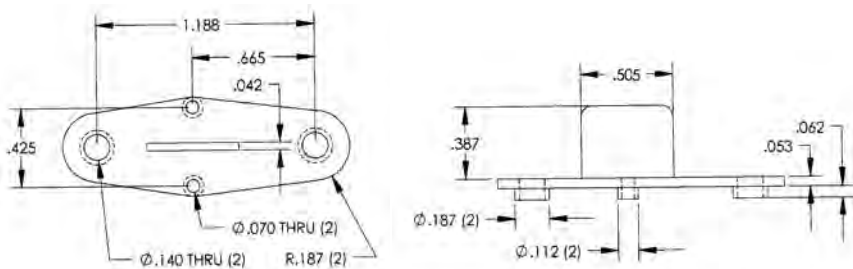
STANDARD Molded in Natural Nylon 6/6



PTI-2 for TO-66

ITEM NUMBER	DESCRIPTION
19PT12	PTI-2
18PT12WOB	PTI-2 W/O BARRIER

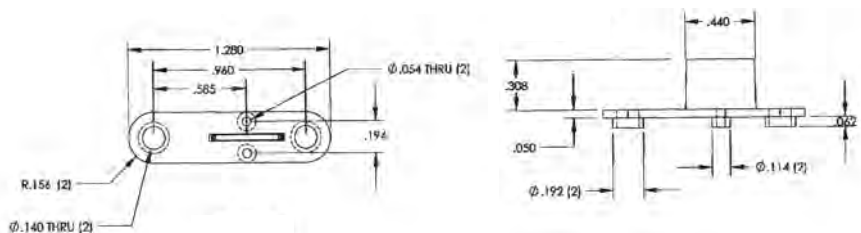
STANDARD Molded in Natural Nylon 6/6



PTI-1-H for TO-3

ITEM NUMBER	DESCRIPTION
20PT11HD	PTI-1 HD
18PT11HDWOB	PTI-1 HD W/O BARRIER

HEAVY DUTY Molded in Glassfilled Polyester



PTI-2-H for TO-66

ITEM NUMBER	DESCRIPTION
20PT12HD	PTI-2 HD
18PT12HDWOB	PTI-2 HD W/O BARRIER

HEAVY DUTY Molded in Glassfilled Polyester

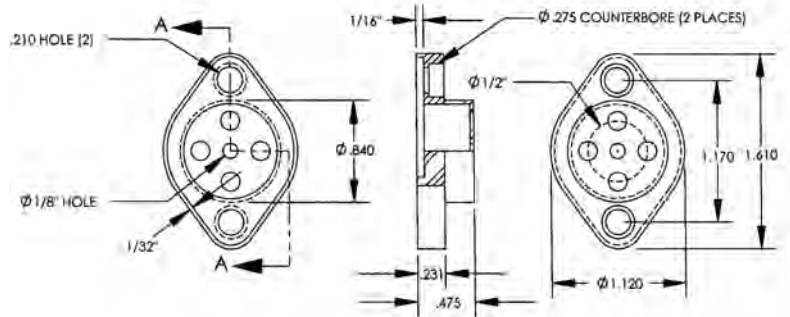
Micro Plastics' Power Transistor Covers are available in both TO-3 and TO-66 configurations. Both 1 hole, 5 hole and no hole styles are offered. Transistor covers are stocked in Nylon 6/6. Other materials are available upon request.



POWER TRANSISTOR COVERS TO-3

Molded in **Natural Nylon 6/6**

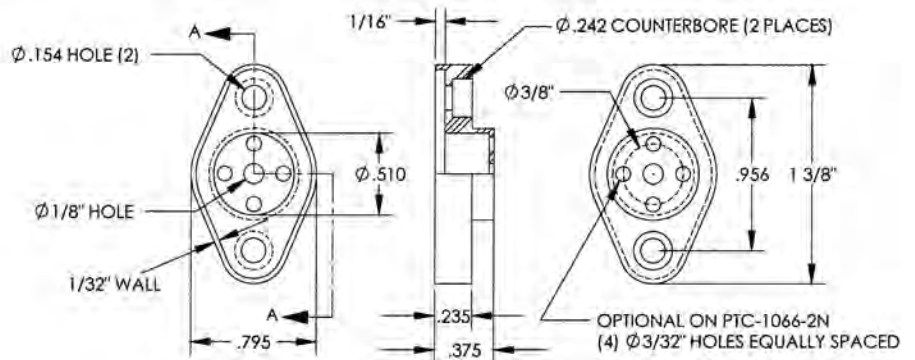
ITEM NUMBER	DESCRIPTION
21PTC01031	PTC 103-1N 1 HOLE
21PTC01032	PTC103-2N 5 HOLE
21PTC01033	PTC 103-ON NO HOLE



POWER TRANSISTOR COVERS TO-66

Molded in **Natural Nylon 6/6**

ITEM NUMBER	DESCRIPTION
21PTC010661	PTC1066-1N 1 HOLE
21PTC010662	PTC1066-2N 5 HOLE
21PTC010663	PTC1066-ON NO HOLE



HOSE CLAMPS AND INSTALLATION TOOLS

SECTION IX

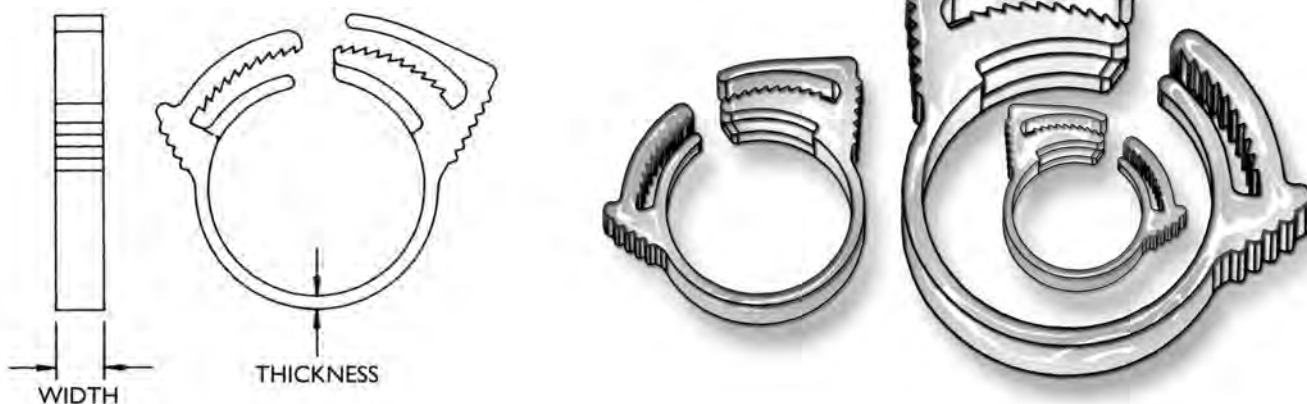
- **APPLIANCE** -
Dishwashers, laundry, refrigerators, food preparation equipment.
- **ELECTRICAL/ELECTRONIC** -
Positioning and placement of components and wiring.
- **R.V./BOATING** -
Plumbing and Accessories.
- **AUTOMOTIVE** -
Under hood applications. Heat-Stabilized material is available, call for details.

Micro Plastics' Premium Nylon Hose Clamps provide a superior seal on hose or tubing through their Patented interlocking design by eliminating the leak path created by the overlapping ring design hose clamps. As interlocking grooves are ratcheted together the sealing diameter of the fastener is aligned in parallel, creating a uniform clamping surface. Clamps may be removed by separating the clamping halves in a perpendicular direction at the seal.

Easy installation on most liquid, gas, or vacuum lines.

Nylon clamps are tough, corrosion resistant and resilient.

Parts are removable and reusable.



PREMIUM HOSE CLAMPS

Molded in **Natural Nylon 6/6**

PATENTED INTERLOCKING DESIGN ELIMINATES LEAK PATH

ITEM NUMBER	DESCRIPTION	WIDTH	THICKNESS	BUNDLE SIZE			
				MIN.	MAX.	MIN.	MAX.
22HC0250	1/4" Hose Clamp	7/32" (5,56)	3/64" (1,19)	.235 (5,90)	.260 (6,60)		
22HC0312	5/16" Hose Clamp	7/32" (5,56)	1/16" (1,59)	.300 (7,62)	.350 (8,89)		
22HC0344	11/32" Hose Clamp	7/32" (5,56)	1/16" (1,59)	.360 (9,14)	.390 (9,91)		
22HC0406	13/32" Hose Clamp	1/4" (6,35)	1/16" (1,59)	.410 (10,41)	.468 (11,89)		
22HC0468	15/32" Hose Clamp	7/32" (5,56)	1/16" (1,59)	.475 (12,07)	.536 (13,61)		
22HC0531	17/32" Hose Clamp	1/4" (6,35)	1/16" (1,59)	.538 (13,67)	.608 (15,44)		
22HC0593	19/32" Hose Clamp	1/4" (6,35)	1/16" (1,59)	.597 (15,16)	.680 (17,27)		
22HC0672	43/64" Hose Clamp	7/32" (5,56)	1/16" (1,59)	.670 (17,02)	.776 (19,71)		
22HC0750	3/4" Hose Clamp	7/32" (5,56)	1/16" (1,59)	.730 (18,54)	.825 (20,95)		
22HC0813	13/16" Hose Clamp	.216" (5,49)	1/16" (1,59)	.750 (19,05)	.875 (22,23)		
22HC0875	7/8" Hose Clamp	7/32" (5,56)	1/16" (1,59)	.840 (21,33)	.940 (23,87)		
22HC0953	61/64" Hose Clamp	1/4" (6,35)	1/16" (1,59)	.885 (22,47)	1.025 (26,03)		
22HC1031	1-1/32" Hose Clamp	5/16" (7,94)	1/16" (1,59)	1.031 (26,19)	1.187 (30,15)		
22HC1250	1-1/4" Hose Clamp	5/16" (7,94)	1/16" (1,59)	1.250 (31,75)	1.425 (36,20)		
22HC1406	1-13/32" Hose Clamp	11/32" (8,73)	1/16" (1,59)	1.406 (35,71)	1.610 (40,89)		
22HC1593	1-19/32" Hose Clamp	11/32" (8,73)	1/16" (1,59)	1.593 (40,46)	1.812 (46,02)		
22HC1687	1-11/16" Hose Clamp	11/32" (8,73)	1/16" (1,59)	1.790 (45,47)	2.110 (53,59)		
22HC1875	1-7/8" Hose Clamp	13/32" (10,32)	1/16" (1,59)	1.870 (47,50)	2.125 (53,98)		
22HC2125	2-1/8" Hose Clamp	13/32" (10,32)	1/16" (1,59)	2.120 (53,85)	2.390 (60,71)		

HOSE CLAMPS AND INSTALLATION TOOLS

- APPLIANCE -

Dishwashers, laundry, refrigerators, food preparation equipment.

- ELECTRICAL/ELECTRONIC -

Positioning and placement of components and wiring.

- R.V./BOATING -

Plumbing and Accessories.

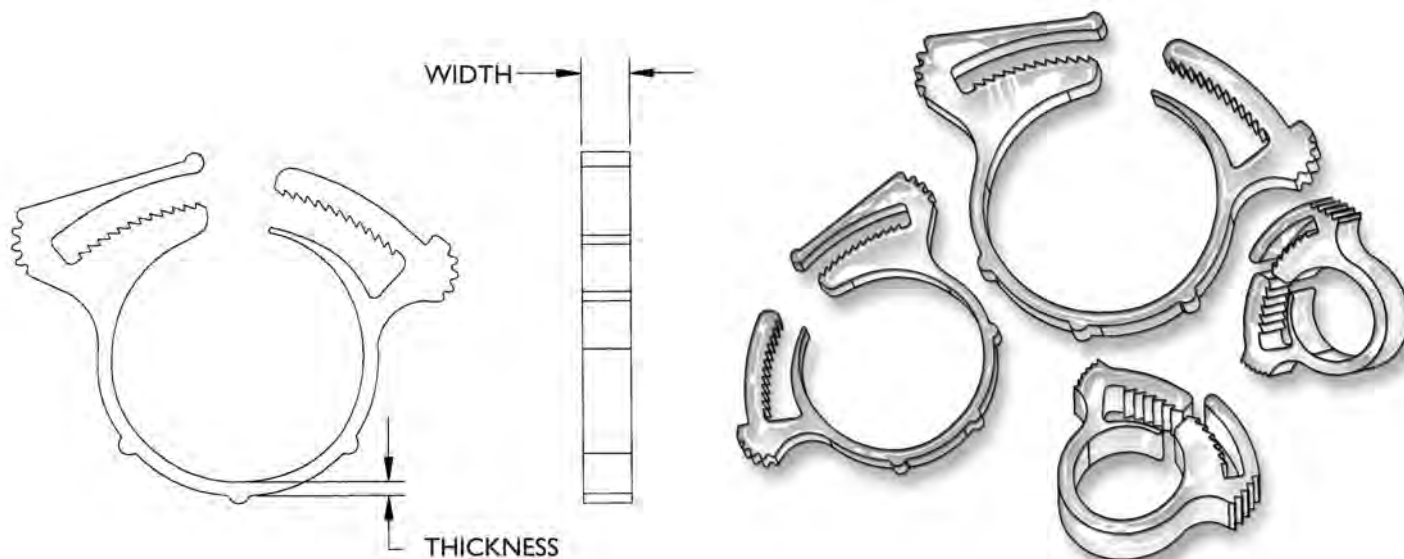
- AUTOMOTIVE -

Under hood applications, Heat-Stabilized material is available, call for details.

Micro Plastics' Standard Nylon Hose Clamps are based on the original design for this type of fastener. An overlapping tapered ring of nylon is fastened around the hose or tubing desired and secured to the required tightness by compressing interacting grooves in a ratcheting fashion, creating a tight sealing application. Clamps may be removed by separating the clamping halves in perpendicular direction at the seal.

Nylon clamps are tough, corrosion resistant and resilient.

Parts are removable and reusable.



STANDARD HOSE CLAMPS

Molded in **Natural Nylon 6/6**

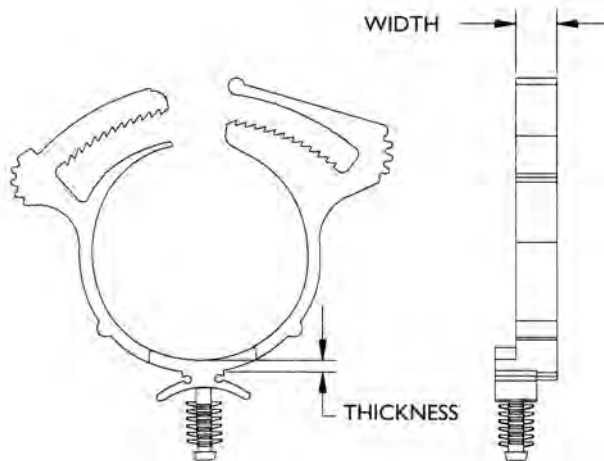
ITEM NUMBER	DESCRIPTION	WIDTH	THICKNESS	BUNDLE SIZE	
				MIN.	MAX.
22HSC0010	1.0 Hose Clamp	.156 (3,96)	.040 (1,02)	.235 (5,97)	.260 (6,60)
22HSC0015	1.5 Hose Clamp	.150 (3,81)	.050 (1,27)	.283 (7,19)	.312 (7,92)
22HSC0020	2 Hose Clamp	.230 (5,84)	.070 (1,78)	.350 (8,89)	.395 (10,03)
22HSC0040	4 Hose Clamp	.230 (5,84)	.070 (1,78)	.360 (9,14)	.410 (10,41)
22HSC0060	6 Hose Clamp	.230 (5,84)	.070 (1,78)	.430 (10,92)	.480 (12,19)
22HSC0080	8 Hose Clamp	.230 (5,84)	.070 (1,78)	.500 (12,70)	.545 (13,84)
22HSC0100	10 Hose Clamp	.230 (5,84)	.070 (1,78)	.525 (13,34)	.605 (15,37)
22HSC0120	12 Hose Clamp	.230 (5,84)	.070 (1,78)	.580 (14,73)	.660 (16,76)
22HSC0140	14 Hose Clamp	.230 (5,84)	.070 (1,78)	.655 (16,63)	.750 (19,05)
22HSC0180	18 Hose Clamp	.230 (5,84)	.070 (1,78)	.779 (19,79)	.899 (22,83)
22HSC0190	19 Hose Clamp	.230 (5,84)	.070 (1,78)	.859 (21,82)	.989 (25,12)
22HSC0220	22 Hose Clamp	.250 (6,35)	.070 (1,78)	.900 (22,86)	1.072 (27,23)
22HSC0240	24 Hose Clamp	.250 (6,35)	.070 (1,78)	.990 (25,15)	1.135 (28,83)
22HSC0280	28 Hose Clamp	.280 (7,11)	.070 (1,78)	1.123 (28,52)	1.296 (32,92)

HOSE CLAMPS AND INSTALLATION TOOLS

SECTION IX

STANDARD HOSE CLAMPS FIN CLIP BASE

Molded in Natural Nylon 6/6



ITEM NUMBER	WIDTH		THICKNESS		BUNDLE SIZE		HOLE SIZE	PANEL THICKNESS		
					MIN	MAX				
22HCFC037188	.230	(5,84)	.070	(1,78)	.360	(9,14)	.395	(10,03)	.187 (4,75)	1/32" (0,79) - 1/4 (6,35)
22HCFC106188	.250	(6,35)	.070	(1,78)	.990	(25,15)	1.135	(28,83)	.187 (4,75)	1/32" (0,79) - 1/4 (6,35)

HOSE CLAMP INSTALLATION TOOLS

Micro Plastics' Pneumatic -Ergonomic Hose Clamp Installation Tool has been carefully designed to help reduce the wrist fatigue associated with the rapid assembly of Nylon Hose Clamps. The easy trigger-type actuation of this air tool, in combination with the ergonomic angle of the hand grip, allows natural alignment of the wrist and hand during normal clamp installation. The tool operates on standard shop air from 30-100 PSE. Lightweight, only 18 ounces. Tools are configured prior to shipping. Please specify Hose Clamp sizes to be installed when ordering.

NOT AVAILABLE FOR HOSE CLAMP SIZES LARGER THAN .953



PNEUMATIC ERGONOMIC HOSE CLAMP TOOL
ITEM NUMBER
22PHCET0100

PATENTED



PNEUMATIC HOSE CLAMP TOOL
ITEM NUMBER
22PHCT0100

PATENTED

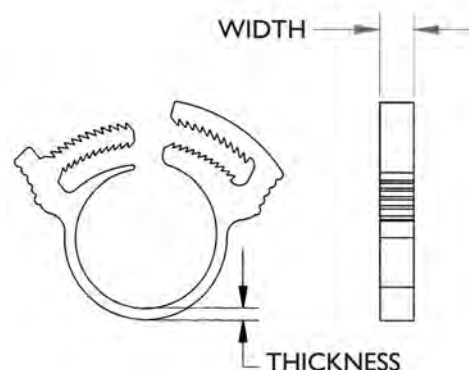
DOUBLE GRIP HOSE CLAMPS

Molded in **Black Nylon 6/6**

Micro Plastics' double grip hose clamps feature a double tooth interlocking jaw for exceptional strength. Parts are molded in black durable nylon 6/6 and are quick and easy to install. An overlapping tapered ring is fastened around the hose or tubing and secured to the required tightness by compressing the double gripping interacting grooves in a ratcheting fashion, creating a tight sealing application. Clamps have good chemical resistance and are tough, corrosion resistant and resilient. Clamps can be removed by separating the clamping halves in perpendicular direction at the seal. Clamps can be used in the following fields of application.



- Electrical
- Electronic
- R.V.
- Boating
- Automotive



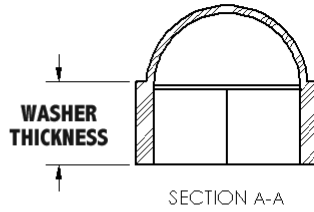
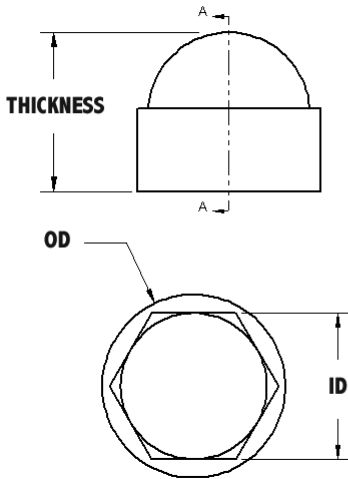
ITEM NUMBER	DESCRIPTION	WIDTH	THICKNESS	BUNDLE SIZE	
				MIN.	MAX
22DGHC00A	1/4 Double Grip Hose Clamp	11/64 (4,34)	1/16 (1,57)	0.220 (5,59)	0.256 (6,50)
22DGHC00B	5/16 Double Grip Hose Clamp	3/16 (4,75)	1/16 (1,57)	0.311 (7,90)	0.362 (9,19)
22DGHC0AA	9/32 Double Grip Hose Clamp	0.177 (4,50)	0.065 (1,65)	0.256 (1,65)	0.300 (7,62)
22DGHC0BB	3/8 Double Grip Hose Clamp	0.177 (4,50)	0.065 (1,65)	0.362 (9,19)	0.406 (10,31)
22DGHC00C	7/16 Double Grip Hose Clamp	0.228 (5,79)	1/16 (1,57)	0.402 (10,21)	0.465 (11,81)
22DGHC0CC	15/32 Double Grip Hose Clamp	1/4 (6,35)	1/16 (1,57)	0.437 (11,10)	0.508 (12,90)
22DGHC00D	1/2 Double Grip Hose Clamp	0.240 (6,10)	1/16 (1,57)	0.472 (11,99)	0.543 (13,79)
22DGHC00E	9/16 Double Grip Hose Clamp	0.283 (7,19)	5/64 (1,98)	0.516 (13,11)	0.594 (15,09)
22DGHC00F	5/8 Double Grip Hose Clamp	0.285 (7,24)	5/64 (1,98)	0.591 (15,01)	0.673 (17,09)
22DGHC00G	23/32 Double Grip Hose Clamp	9/32 (7,14)	5/64 (1,98)	0.665 (16,89)	0.752 (19,11)
22DGHC00H	3/4 Double Grip Hose Clamp	0.280 (7,11)	5/64 (1,98)	0.713 (18,11)	0.811 (20,60)
22DGHC00J	7/8 Double Grip Hose Clamp	0.252 (6,40)	5/64 (1,98)	0.799 (20,29)	0.906 (23,01)
22DGHC00K	15/16 Double Grip Hose Clamp	0.276 (7,01)	5/64 (1,98)	0.874 (22,20)	0.980 (22,86)
22DGHC00L	1 Double Grip Hose Clamp	0.280 (7,11)	5/64 (1,98)	0.965 (24,51)	1.087 (27,61)
22DGHC00M	1 1/8 Double Grip Hose Clamp	0.317 (8,05)	3/32 (2,36)	1.043 (26,49)	1.161 (29,49)
22DGHC00N	1 1/4 Double Grip Hose Clamp	0.354 (8,99)	5/64 (1,98)	1.134 (28,80)	1.268 (32,21)
22DGHC00P	1 5/16 Double Grip Hose Clamp	0.358 (9,09)	5/64 (1,98)	1.260 (32,00)	1.370 (34,80)
22DGHC00Q	1 3/8 Double Grip Hose Clamp	0.350 (8,89)	5/64 (1,98)	1.350 (34,29)	1.492 (37,90)
22DGHC00R	1 1/2 Double Grip Hose Clamp	0.362 (9,19)	5/64 (1,98)	1.496 (38,00)	1.614 (41,00)
22DGHC00S	1 5/8 Double Grip Hose Clamp	0.354 (8,99)	5/64 (1,98)	1.579 (40,11)	1.740 (44,20)
22DGHC00T	1 3/4 Double Grip Hose Clamp	0.350 (8,89)	5/64 (1,98)	1.701 (43,21)	1.819 (46,20)
22DGHC00U	1 7/8 Double Grip Hose Clamp	0.354 (8,99)	5/64 (1,98)	1.811 (46,00)	1.988 (50,50)
22DGHC00V	2 Double Grip Hose Clamp	0.354 (8,99)	5/64 (1,98)	1.909 (48,49)	2.118 (53,80)
22DGHC00W	2 1/8 Double Grip Hose Clamp	0.354 (8,99)	3/32 (2,36)	2.087 (53,01)	2.224 (56,49)
22DGHC00X	2 1/4 Double Grip Hose Clamp	0.370 (9,40)	3/32 (2,36)	2.165 (54,99)	2.382 (60,50)
22DGHC059	2 3/8 Double Grip Hose Clamp	23/64 (9,12)	7/64 (2,77)	2.323 (59,00)	2.547 (64,69)
22DGHC064	2 1/2 Double Grip Hose Clamp	.361 (9,16)	.102 (2,59)	2.480 (62,99)	2.654 (67,41)
22DGHC065	2 5/8 Double Grip Hose Clamp	0.374 (9,50)	7/64 (2,77)	2.559 (65,00)	2.717 (69,01)
22DGHC066	2 3/4 Double Grip Hose Clamp	0.362 (9,19)	5/64 (1,98)	2.591 (65,81)	2.823 (71,70)
22DGHC070	2 7/8 Double Grip Hose Clamp	23/64 (9,12)	3/32 (2,36)	2.756 (70,00)	2.969 (75,41)
22DGHC075	3 Double Grip Hose Clamp	.369 (9,37)	.102 (2,59)	2.941 (74,70)	3.169 (80,49)
22DGHC078	3 1/8 Double Grip Hose Clamp	.347 (8,81)	.102 (2,59)	3.059 (77,69)	3.197 (81,20)
22DGHC080	3 1/4 Double Grip Hose Clamp	.354 (8,99)	.122 (3,09)	3.142 (79,80)	3.346 (84,98)
22DGHC085	3 3/8 Double Grip Hose Clamp	.350 (8,89)	.099 (2,51)	3.350 (85,09)	3.567 (90,60)
22DGHC096	3 7/8 Double Grip Hose Clamp	.336 (8,53)	.099 (2,51)	3.846 (97,66)	4.020 (102,10)

MISCELLANEOUS PRODUCTS

SECTION
X

SCREW HEAD COVERS

Molded in **Black High Density Polyethylene**

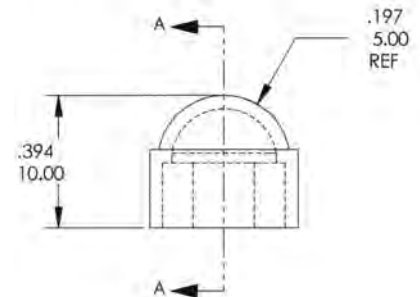
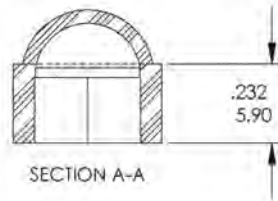
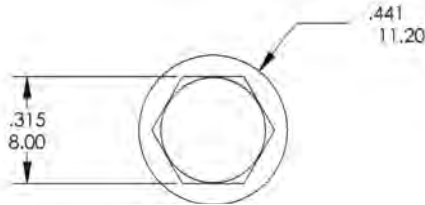


ITEM NUMBER	OD	ID	THICKNESS	WASHER THICKNESS
63SCOVERM6	13.41 MM	10.01 MM	11.23 MM	6.50 MM
63SCOVERM8	17.45 MM	12.80 MM	14.16 MM	8.26 MM
63SCOVERM10	21.41 MM	17.02 MM	17.25 MM	9.27 MM
63SCOVERM12	23.62 MM	18.80 MM	19.36 MM	10.39 MM
63SCOVERM16	29.72 MM	23.80 MM	25.83 MM	13.41 MM

HEX HEAD SCREW COVERS

Molded in **Black Polypropylene**

- Quick and simple to install.
- Protects and gives neat finish to exposed metal hexagon nuts and screw heads.



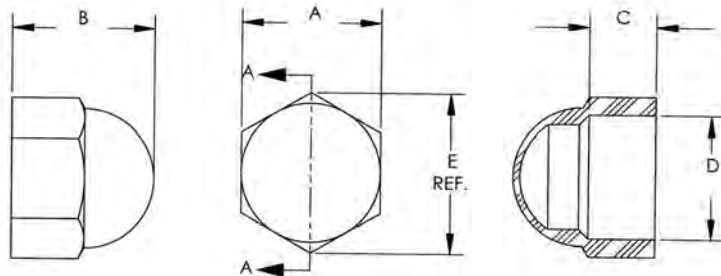
ITEM
NUMBER

FITS

63SCVR-M5 Hex ID for M5 hex nuts and screws

HEX HEAD SCREW COVERS

Molded in **Black High Density Polyethylene**



- Quick and simple to install.
- Protects and gives neat finish to exposed metal hexagon nuts and screw heads.

ITEM
NUMBER

FITS

A

E

B

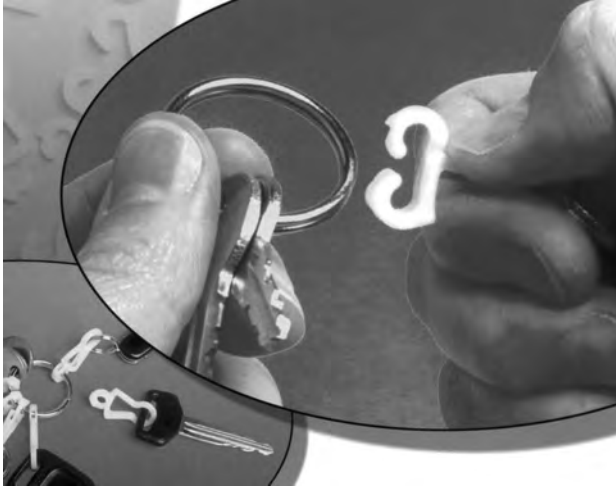
C

D

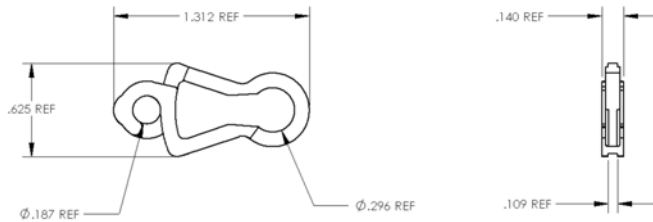
63SCVR-M6	Round ID for M6 pan or hex head machine screw	12.95 MM	14.96 MM	13.72 MM	6.00 MM	10.74 MM
63SCVR-M8	Hex ID for M8 hex nuts and screws	15.87 MM	18.33 MM	16.30 MM	7.62 MM	14.17 MM

SWIFT KEYS

Molded in ACETAL - COLOR CHOICES - Black • Blue • Green • Red • White • Yellow

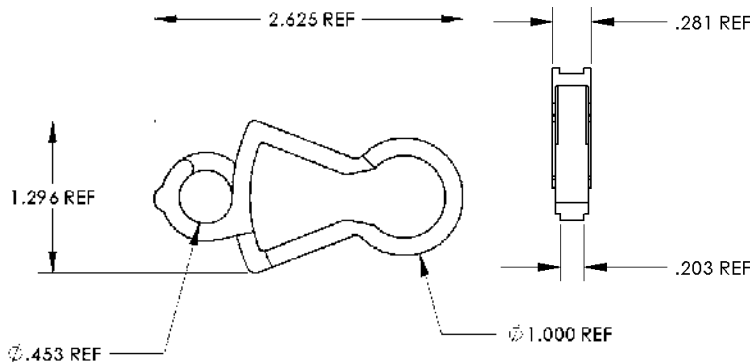


- Simple function - no instructions needed.
- Reversible hole - may be "unfolded" to swap keys or other objects.
- Secure attachment
- Aesthetically elegant - shape is unique.
- Sold in "as molded" open position



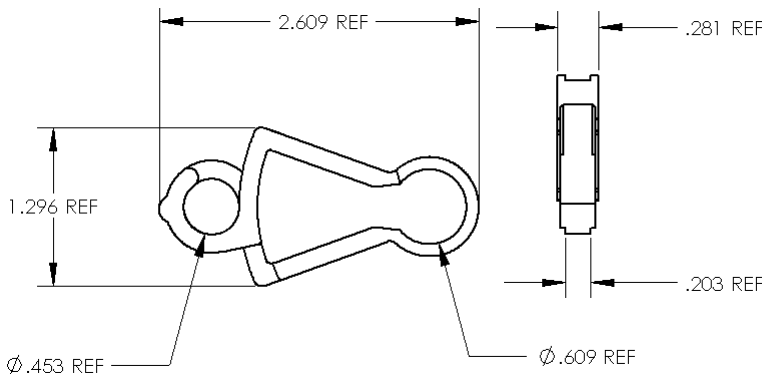
SWIFT KEY

ITEM NUMBER	DESCRIPTION	COLOR
45SWIFTKEY01B	Swift Key	Black
45SWIFTKEY01BL	Swift Key	Blue
45SWIFTKEY01GR	Swift Key	Green
45SWIFTKEY01R	Swift Key	Red
45SWIFTKEY01W	Swift Key	White
45SWIFTKEY01Y	Swift Key	Yellow



LARGE HEAVY DUTY SWIFT KEY

ITEM NUMBER	DESCRIPTION	COLOR
45SWIFTKEYHD02B	Large HD Swift Key	Black
45SWIFTKEYHD02BL	Large HD Swift Key	Blue
45SWIFTKEYHD02GR	Large HD Swift Key	Green
45SWIFTKEYHD02R	Large HD Swift Key	Red
45SWIFTKEYHD02W	Large HD Swift Key	White
45SWIFTKEYHD02Y	Large HD Swift Key	Yellow



LARGE SWIFT KEY

ITEM NUMBER	DESCRIPTION	COLOR
45SWIFTKEY02B	Large Swift Key	Black
45SWIFTKEY02BL	Large Swift Key	Blue
45SWIFTKEY02GR	Large Swift Key	Green
45SWIFTKEY02R	Large Swift Key	Red
45SWIFTKEY02W	Large Swift Key	White
45SWIFTKEY02Y	Large Swift Key	Yellow

MISCELLANEOUS PRODUCTS

SECTION
X

EXTENDIBLE POLE WITH THREADED END



ITEM
NUMBER
45EXTPOLE

ADHESIVE CABLE CLIPS

Molded in **Natural High Density Polyethylene**



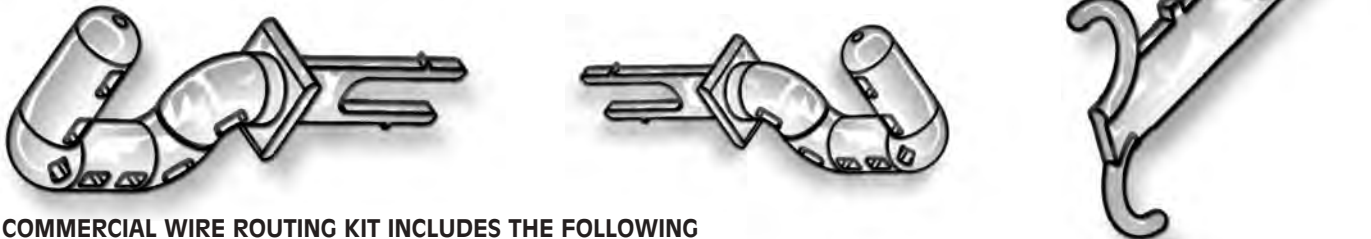
ITEM
NUMBER
45GUTADHCLIP

NOTE: CLIPS MUST BE PURCHASED IN MULTIPLES OF 25.

COMMERCIAL WIRE ROUTING KIT

Molded in **Natural Nylon 6/6**

- Elevated routing of wires and tubing without using a ladder.
- All component parts are molded in light weight impact resistant Nylon.



COMMERCIAL WIRE ROUTING KIT INCLUDES THE FOLLOWING

- 1 Nut that fits the extendible pole threads.
- 1 Applicator that snap fits into the nut and is used for applying adhesive backed wire clip to elevated surfaces.
- 1 Wiring hook that snaps into the nut for routing wire in elevated clips.
- 1 Instruction sheet.

NOTE: Adhesive backed clips and extension pole sold separately, (SEE ABOVE)

ITEM NUMBER	DESCRIPTION
45INDWIREKIT	Commercial Wiring Kit

EXPANDED COMMERCIAL WIRE ROUTING KIT

- Elevated routing of wires and tubing without using a ladder.
- Double backed foam adhesive on a Polyethylene clip.
- All component parts are molded in light weight impact resistant Nylon.
- Additional adhesive backed cable clips and extension poles sold separately, see page 248.

WIRING KIT INCLUDES THE FOLLOWING

- 1 One piece extendible pole with threaded end.
- 1 Nut that fits the extendible pole threads.
- 1 Applicator that snap fits into the nut and is used for applying adhesive backed wire clip to elevated surfaces.
- 25 Adhesive backed wire routing cable clips.
- 1 Wiring hook that snaps into the nut for routing wire in elevated clips.
- 1 Instruction sheet.



ITEM NUMBER	DESCRIPTION
45EXPINDWIREKIT	Expanded Commercial Wiring Kit

MISCELLANEOUS PRODUCTS

SECTION
X

CORD HOOK AND RETAINER

Molded in **Black U.V. resistant Impact modified Nylon**

Micro Plastics' cord hook is molded in U.V. resistant black impact modified nylon. Hook and retainer can be purchased separately or as a set not assembled. Hook is designed to be used with 1/4" diameter through 3/8" diameter cord. Simply loop the cord, insert through the guide area of the hook and pull down into the "V". Always tie a knot in the free end of the cord to prevent slippage. Cord assembly can be used for securing light cargo in cars, vans, trucks, and boats. The hooks will not scratch painted or decorative surfaces which makes it great for covers on boats and trailers.

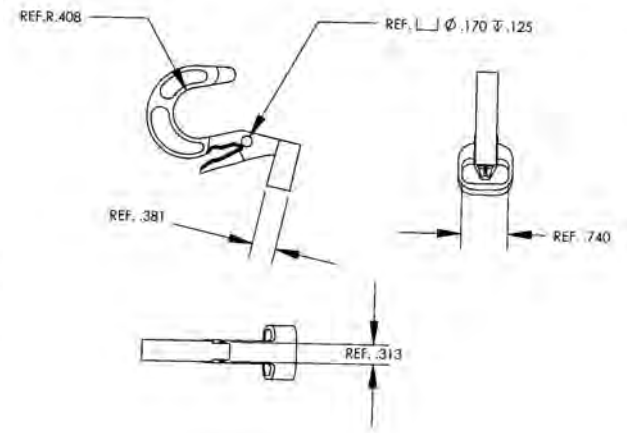
THE FOLLOWING SAFETY PRECAUTIONS MUST BE FOLLOWED WHEN USING CORD

- Intended for light duty use only.
- Wear eye protection - end of cord could come loose and cause serious eye or bodily injury.
- Always tie a knot in the free end of the cord or rope.
- Do not exceed 20 lbs. total force on hook.
- Not recommended for use with shock cord.



Watch Instructional Video

<mms://www.microplastics.com/productvideos/ShockCord.asf>

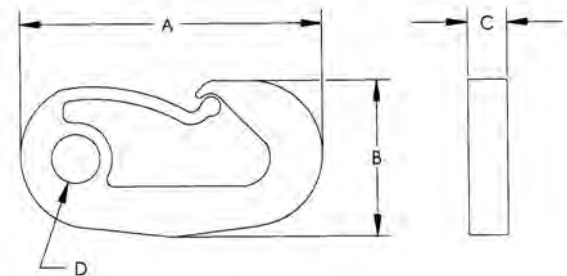


ITEM NUMBER	DESCRIPTION
45SKCDHK750RET	CORD HOOK RETAINER

ITEM NUMBER	DESCRIPTION
45SKCDHK750	CORD HOOK

SNAP HOOKS

Molded in **Black UV Resistant Nylon**



Micro Plastics' Snap Hooks are ideal for light duty marine use, securing cargo to racks, miscellaneous automotive and home uses. The parts are made from UV resistant Nylon, which is perfect for outdoor use. The Snap Hooks will not scratch painted or decorative surfaces. Micro Plastics' design reduces the chance of accidental rope or eye release from snap end of hook.

ITEM NUMBER	A LENGTH	B WIDTH	C THICKNESS	D HOLE DIA.	MAX. ROPE DIA.	MAX. LOAD
* 45SNHK250	1 19/32" (40,46)	27/32" (21,41)	5/16" (7,92)	1/4" (6,35)	1/4" (6,35)	5 LBS.
* 45SNHK375	2 3/8" (60,33)	1 1/4" (31,75)	3/8" (9,52)	3/8" (9,52)	3/8" (9,52)	13 LBS.
** 45SNHK500	3 5/32" (80,16)	1-21/32" (42,06)	13/32" (10,31)	1/2" (12,70)	1/2" (12,70)	40 LBS.

* MOLDED NYLON 6/6 BLACK

** MOLDED IN BLACK IMPACT MODIFIED NYLON

MISCELLANEOUS PRODUCTS

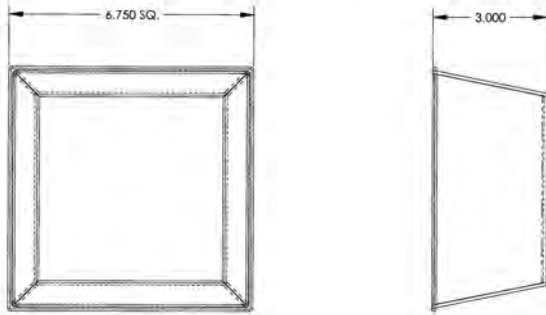
SECTION

X

- Durable nesting container is molded in impact modified polystyrene.
- Ideal for sorting and storing small parts.
- Useful in industrial applications and a variety of home or office projects.
- Tapered design allows containers to be easily stacked for compact storage.

NESTING CONTAINERS

Molded in Impact modified Polystyrene



SIZE: 6 3/4" X 6 3/4" X 3" DEEP



ITEM NUMBER	COLOR
401026	NATURAL
401028	BLACK
401027	FLUORESCENT PINK

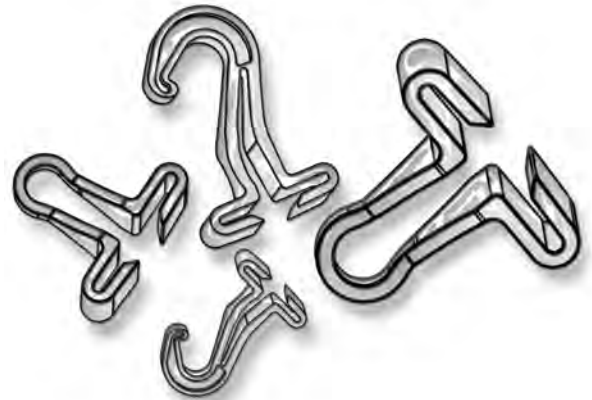
SUSPENDED CEILING HOOKS

Molded in Natural Nylon 6/6 or Clear Copolyester

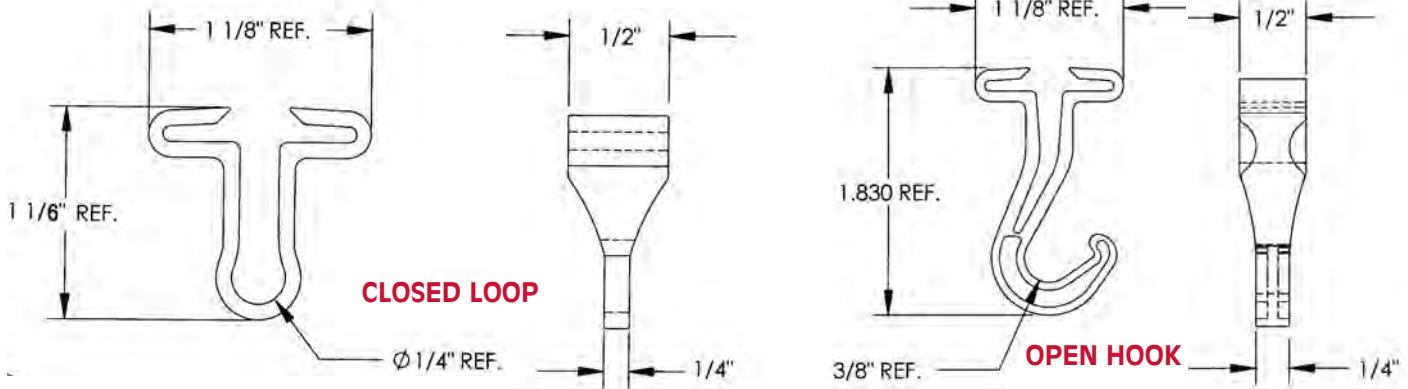
Micro Plastics' suspended ceiling hooks are designed for hanging very light articles from a suspended ceiling. We offer two designs, one with a closed loop, the other with an open hook. Parts can be ordered in natural Nylon (translucent off white) or clear Copolyester.

NOTE FOR LIGHT ARTICLES SUCH AS MOBILES, BANNERS & SIGNS. CEILING SUPPORT LOAD MUST BE VERIFIED BY MANUFACTURER OF THE CEILING SUPPORT AND THE INSTALLER.

NOTE DO NOT OVERLOAD CEILING SUPPORT.



PATENTED

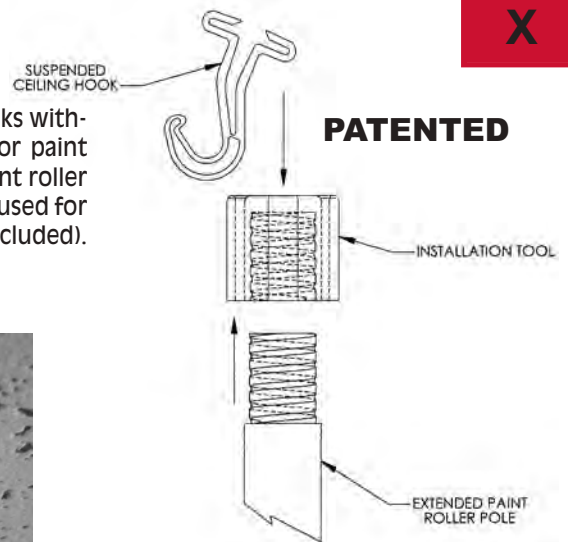
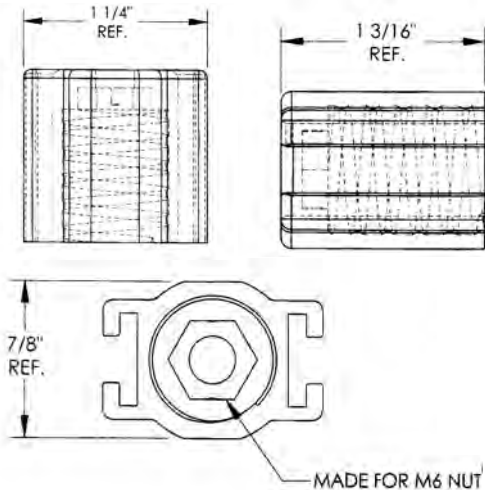


ITEM NUMBER	MATERIAL	STYLE	COLOR
45SCH025CH	NYLON 6/6	CLOSED LOOP	OFF WHITE
45SCH025CHCP	COPOLYESTER	CLOSED LOOP	CLEAR
45SCH037OH	NYLON 6/6	OPEN HOOK	OFF WHITE
45SCH037OHCP	COPOLYESTER	OPEN HOOK	CLEAR

CEILING HOOK INSTALLATION TOOL

Molded in **Natural Nylon 6/6**

Suspended ceiling hook installation tool is designed to install both type of hooks without using a ladder. The tool threads onto most standard extended poles for paint rollers. Simply thread the Micro Plastics' tool onto the threaded end of the paint roller extension pole and you are ready to install the ceiling hooks. Tool may also be used for attaching accessories with a male or female M6 thread, (Nut and screw not included). This assembly may also be used to remove hooks.



Hex shaped area is designed to fit a metric M6 hex nut or M6 hex head machine screw. **Note:** Insert nut or screw into installation tool before attaching to extension pole.

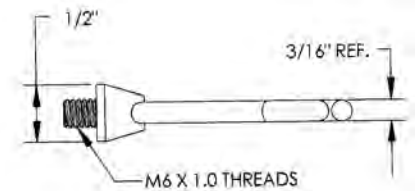
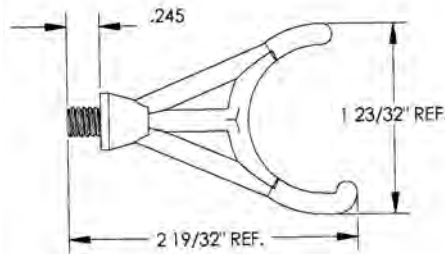
ITEM NUMBER

45SCHINSTL

HEAVY DUTY HANGER

Molded in **Natural Nylon 6/6**

The Micro Plastics heavy duty hanger is designed to fit our ceiling hook installation tool (45SCHINSTL) with a M6 X 1.0 hex nut (NOT INCLUDED) installed in the installation tool. Heavy duty hanger is used to hang articles on elevated pegs or hooks without the use of a ladder.



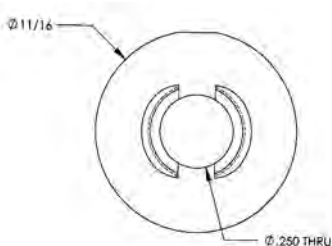
ITEM NUMBER

45HDH01

TWO PIECE GROMMET

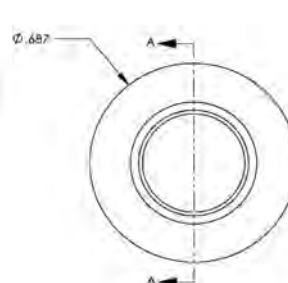
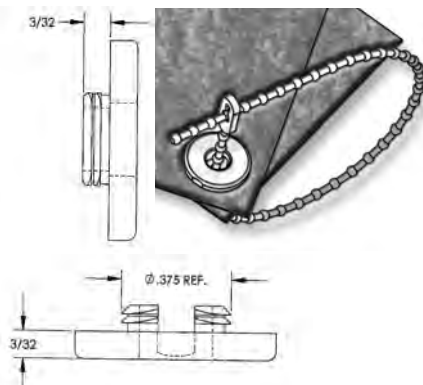
Molded in **Natural Nylon 6/6**

Two Piece Grommets are molded in corrosion resistant Nylon 6/6. The male and female parts are designed for easy hand assembly, simply press together. Male half has multiple latching details for approximate panel thickness of 1/32' and 1/16". Grommets can be used for reinforcing through holes and attaching samples of paper or cloth. Recommended hole size 7/16" diameter. Male and female grommets are packaged and sold separately.



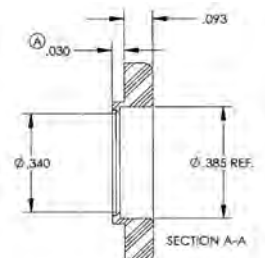
ITEM NUMBER

45GRMM250



ITEM NUMBER

45GRMF250

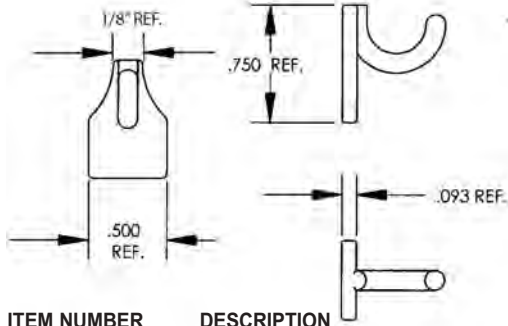


MISCELLANEOUS PRODUCTS

SECTION
X

SUSPENDED CEILING HANGING ACCESSORIES

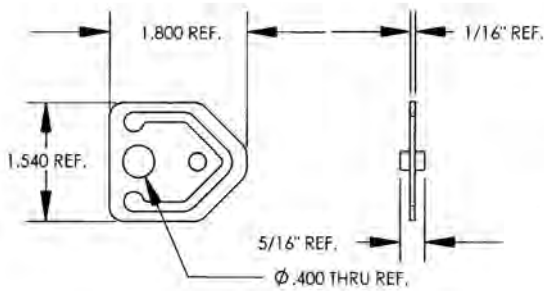
Molded in **Natural Nylon 6/6**



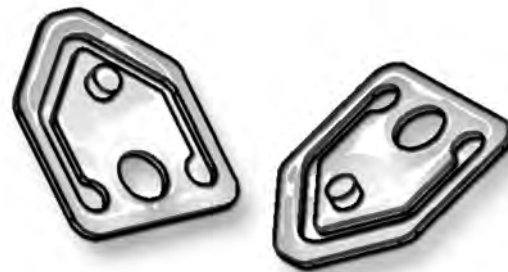
ITEM NUMBER	DESCRIPTION
45INSTLHOOK	Ceiling Hanger Hook



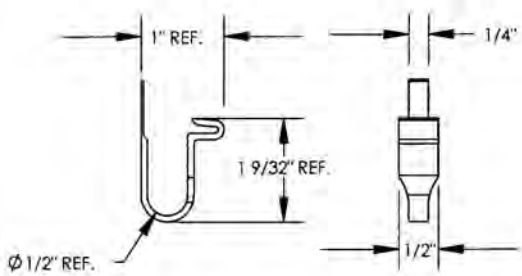
PATENTED



ITEM NUMBER	DESCRIPTION
45SCHCLIP	Ceiling Accessory Clip



PATENTED



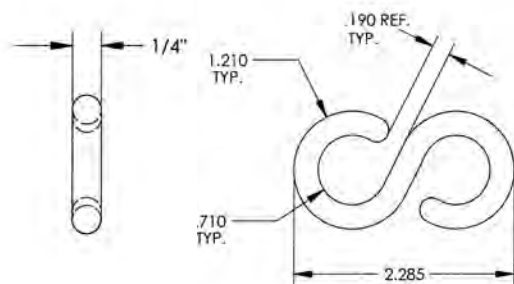
ITEM NUMBER	DESCRIPTION
45SCH050EH	Ceiling Edge Hook



PATENTED

"S" HOOKS

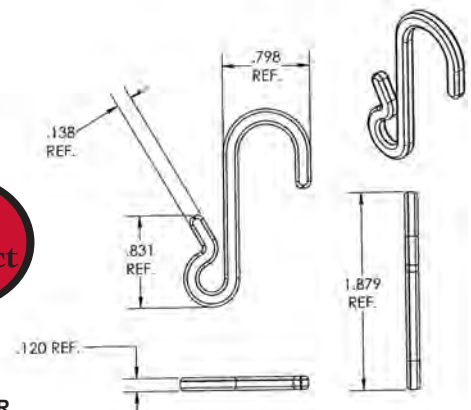
Molded in **Natural Nylon 6/6**



ITEM NUMBER
45SHOK



New Product

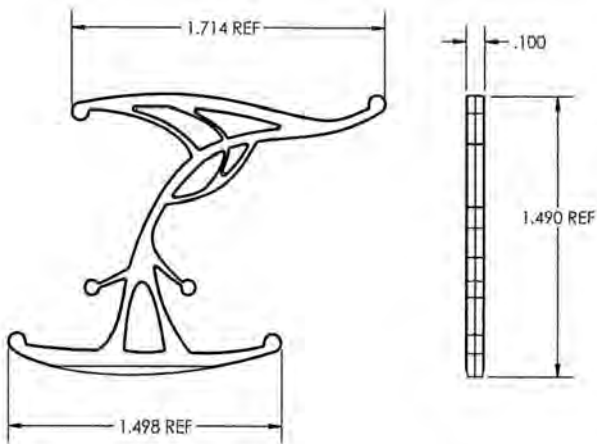


ITEM NUMBER
45SHOOK1

Alien Lock

Molded in **Natural Nylon 6/6**

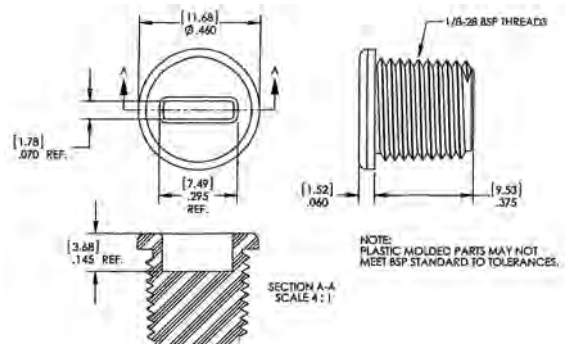
It looks "Alien" but it's the ultimate in box security fasteners. In fact, it's the first and only dedicated box fastener. It's a much less expensive solution than banding or taping your boxes, and it keeps them more secure, too. It's easy and fast to insert and it's incredibly strong. It cannot be pulled out without it being obvious that the box was tampered with - it must be cut off.



ITEM NUMBER	DESCRIPTION
27ALIEN001	Alien Lock

Pipe Plug With Head

Molded in **Natural Nylon 6/6**



ITEM NUMBER	DESCRIPTION
62NPTH01228	Pipe Plug With Head

FASTENER ASSORTMENT KITS

SECTION XI

MOLDED NYLON FASTENERS PROVIDE ELECTRICAL INSULATION, VIBRATION AND CORROSION RESISTANCE. HAVE A LOW THERMAL CONDUCTIVITY, ARE

NON-MAGNETIC AND HAVE A HIGH STRENGTH-TO-WEIGHT RATIO. PACKAGED IN LARGE REUSABLE TRANSPARENT PLASTIC STORAGE BOXES.

IDEAL FOR:

PROTOTYPE WORK - Large working assortments.

PRODUCT DESIGN - Latest designs for increased productivity.

MODEL MAKING - Commercially available standard parts.

SHOP AND MAINTENANCE - Convenient selection.

04AS0750MSN



METRIC KIT page 285

Over 750 Nylon Fasteners Over 35 Different Sizes and Types **SCREWS AND NUTS**

ASSORTMENT CONSISTS OF APPROXIMATELY:

ROUND, HEX, PAN, BINDER, AND FILLISTER HEADSTYLE MACHINE SCREWS.

IN THE FOLLOWING SIZES;

- 100 - 440 X 1/4" to 1" LONG ASSORTED HEADSTYLES
- 100 - 623 X 1/4" to 5/8" LONG ASSORTED HEADSTYLES
- 100 - 832 X 1/4" to 3/4" LONG ASSORTED HEADSTYLES
- 100 - 1032 X 1/4" to 1/2" LONG ASSORTED HEADSTYLES
- 30 - 1/4-20 X 1/4" to 3/4" LONG ROUND and FILLISTER HEAD
- 100 - 440, 632, 832, 1032, & 1/4-20 SOCKET SET SCREWS
- 100 - 440, 632, 832, 1032, & 1/4-20 HEX NUTS
- 125 - #4, #6, #8, #10, & 1/4 FLATWASHERS



04AS0900FAS



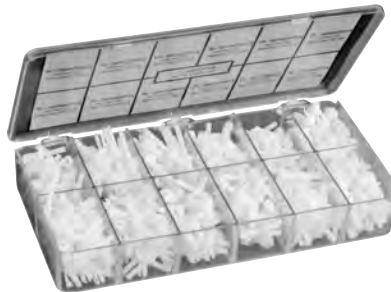
Over 900 Nylon Fasteners
Over 65 Different Sizes and Types.

FASTENERS

250 MOLDED NYLON SCREWS
Assorted sizes and headstyles;
Round, Pan, Fillister, Flat, Binder, Hex and Set.

- 100 - SOCKET SET SCREWS
- 50 - POLY DRIVE RIVETS
- 100 - FLAT WASHERS
- 100 - HEX NUTS
- 50 - LOCK NUTS
- 40 - CAP NUTS
- 10 - WING NUTS
- 50 - PUSH-IN FASTENERS
- 50 - ARROW CLIPS
- 100 - SCREW INSULATORS
- 20 - THUMB SCREWS

04AS0380PRT



Over 380 Assorted Nylon Drive Rivets
with Insertion Tool

POLY DRIVE RIVETS

ASSORTMENT CONSISTS OF APPROXIMATELY:

- 40 - 61PR200000 .187 .156/.281
- 40 - 61PR300000 .187 .312/.440
- 50 - 61PR300100 .187 .062/.187
- 40 - 61PR300300 .187 .078/.375
- 40 - 61PR300800 .187 .375/.750
- 30 - 61PR400500 .187 .375/.500
- 40 - 61PR500500 .218 .031/.062
- 40 - 61PR010000 .218 .187/.250
- 40 - 61PR100000 .218 .093/.350
- 20 - 61PR010100 .226 .125/.312
- 1 - 61PRT0125 DRIVE RIVET INSERTION TOOL

04AS0320SWS



METRIC KIT page 285

All in Assorted Lengths and
Shoulder Height Combinations.

SHOULDER WASHERS

ASSORTMENT CONSISTS OF APPROXIMATELY:

- 150 - SHOULDER WASHERS
.093 to 1/4" ID
.125 to .500 OD
- 30 - #2 SCREW INSULATORS
- 30 - #4 SCREW INSULATORS
- 25 - #6 SCREW INSULATORS
- 25 - #8 SCREW INSULATORS
- 25 - #10 SCREW INSULATORS
- 25 - 1/4 SCREW INSULATORS
- 10 - 5/16 SCREW INSULATORS



STRAIN RELIEF BUSHINGS

ASSORTMENT CONSISTS OF APPROXIMATELY:

- 20 - 23MP02M40
- 16 - 23MP03P40
- 10 - 23MP04K40
- 10 - 23MP04N40
- 10 - 23MP05P40
- 4 - 23MP06N40
- 6 - 23MP06P34
- 12 - 23MP06W10
- 2 - 23MP07W20
- 2 - 23MP03020
- 8 - 23MP14L10
- 8 - 23MP15L10

04AS0075SR

FASTENER ASSORTMENT KITS

SECTION
XI

O4ASO162CA



Over 150 Cable Clips in 12 Popular Sizes Including; Nail-in Clips, Heavy Duty Clips, Wire Clips and Spring Clips.

CLIPS

ASSORTMENT CONSISTS OF APPROXIMATELY:

- 15 - 22NCC0450F
- 10 - 22NCC0900F
- 5 - 22NCC0800R
- 8 - 22NCC0700R
- 15 - 22NCC0400R
- 12 - 22WC0500312
- 25 - 22SPC375132
- 20 - 22HDCC4840
- 12 - 22HDCC4220
- 15 - 22HDCC3590
- 15 - 22HDCC2970
- 10 - 22NCC0500R

O4ASO340SP



METRIC KIT page 285

SPACERS/STANDOFFS

ASSORTMENT CONSISTS OF APPROXIMATELY:

- 100 - ROUND SPACERS - PLAIN 3/16", 1/4", 3/8", 1/2" DIAMETERS, 1/8" to 1" Long.
- 80 - HEX SPACERS - PLAIN 1/4" to 1" Long.
- 35 - ROUND SPACERS - TAPPED 440, 632, 832, 1032, 1/4-20, 1/4", 5/16", 3/8", 1/2" Diameter, 1/4" to 1" Long.
- 30 - HEX SPACERS - TAPPED 440, 632, 832, Diameter, 1/4" to 1" Long.
- 45 - HEX MALE/FEMALE STANDOFFS - THREADED 440, 632, 832 Diameter, 1/4" to 1" Long.

O4ASO290CC



Over 290 Cable Clamps in 18 Popular Sizes.

CABLE CLAMPS

ASSORTMENT CONSISTS OF APPROXIMATELY:

- 40 - 1/8" X 1/8" CABLE CLAMPS
- 25 - 3/16" X 1/2" CABLE CLAMPS
- 1/4" X 1/2" CABLE CLAMPS
- 1/4" X 3/8" CABLE CLAMPS
- 20 - 5/16" X 3/8" CABLE CLAMPS
- 3/8" X 3/8" CABLE CLAMPS
- 7/16" X 3/8" CABLE CLAMPS
- 1/2" X 3/8" CABLE CLAMPS
- 15 - 5/16" X 1/2" CABLE CLAMPS
- 3/8" X 1/2" CABLE CLAMPS
- 7/16" X 1/2" CABLE CLAMPS
- 10 - 1/2" X 1/2" CABLE CLAMPS
- 9/16" X 1/2" CABLE CLAMPS
- 5/8" X 1/2" CABLE CLAMPS
- 3/4" X 1/2" CABLE CLAMPS
- 5 - 1" X 1/2" CABLE CLAMPS
- 3 - 1 1/4" X 1/2" CABLE CLAMPS
- 1 1/2" X 1/2" CABLE CLAMPS

O4ASO305MCS



Over 300 NYLON METAL CORE SCREWS Over 30 Different Sizes and Headstyles.

METAL CORE SCREWS

ASSORTMENT CONSISTS OF APPROXIMATELY: ALL IN ASSORTED ROUND, ROUND WASHER, FLAT AND FILLISTER HEADSTYLES.

- 130 - 632 X 1/4" to 1" METAL CORE SCREWS
- 75 - 832 X 3/8" to 1" METAL CORE SCREWS
- 60 - 1032 X 3/8" to 1" METAL CORE SCREWS
- 40 - 1/4-20 X 3/8" to 1 1/2" METAL CORE SCREWS

MOLDED NYLON FASTENERS PROVIDE ELECTRICAL INSULATION, VIBRATION AND CORROSION RESISTANCE. HAVE A LOW THERMAL CONDUCTIVITY, ARE NON-MAGNETIC AND HAVE A HIGH STRENGTH-TO-WEIGHT RATIO. PACKAGED IN LARGE REUSABLE TRANSPARENT PLASTIC STORAGE BOXES.

IDEAL FOR:

- PROTOTYPE WORK** - Large working assortments.
- PRODUCT DESIGN** - Latest designs for increased productivity.
- MODEL MAKING** - Commercially available standard parts.
- SHOP AND MAINTENANCE** - Convenient selection.

O4ASO107ABC



Over 100 Adhesive Backed Cable Clips in 10 Sizes including Single, Double and Releasable Styles.

ADHESIVE BACKED CLIPS

ASSORTMENT CONSISTS OF APPROXIMATELY:

- 10 - 22AWC00375
- 20 - 22AWC00125
- 10 - 22DPC25550
- 20 - 22DPC13037
- 4 - 22DPC38062
- 4 - 22SPC38562
- 3 - 22DPC50575
- 6 - 22SPC50575
- 20 - 22SPC13037
- 10 - 22SPC25550



FASTENER ASSORTMENT KITS

SECTION XI

MOLDED NYLON FASTENERS PROVIDE ELECTRICAL INSULATION, VIBRATION AND CORROSION RESISTANCE. HAVE A LOW THERMAL CONDUCTIVITY, ARE

NON-MAGNETIC AND HAVE A HIGH STRENGTH-TO-WEIGHT RATIO. PACKAGED IN LARGE REUSABLE TRANSPARENT PLASTIC STORAGE BOXES.

IDEAL FOR:

PROTOTYPE WORK - Large working assortments.

PRODUCT DESIGN - Latest designs for increased productivity.

MODEL MAKING - Commercially available standard parts.

SHOP AND MAINTENANCE - Convenient selection.

O4ASO475HC



PREMIUM HOSE CLAMPS

ASSORTMENT CONSISTS OF APPROXIMATELY:

- 50 - 22HC0250
- 45 - 22HC0344
- 40 - 22HC0406
- 40 - 22HC0468
- 40 - 22HC0531
- 40 - 22HC0593
- 35 - 22HC0750
- 30 - 22HC0875
- 30 - 22HC0953
- 25 - 22HC1031
- 20 - 22HC1250
- 15 - 22HC1406
- 20 - 22HC1593
- 15 - 22HC1687
- 15 - 22HC1875
- 10 - 22HC2125



O4ASO140CC



Over 140 Cable Clips
In 15 Different Styles & Sizes

CABLE CLIPS

ASSORTMENT CONSISTS OF APPROXIMATELY:

- 12 - 22DPC13037
- 10 - 22DPC25550
- 6 - 22DPC38062
- 4 - 22DPC50575
- 12 - 22SPC13037
- 10 - 22SPC25550
- 6 - 22SPC38062
- 4 - 22SPC50575
- 12 - 22HDCC1250
- 12 - 22HDCC1750
- 12 - 22HDCC2340
- 12 - 22HDCC2970
- 12 - 22HDCC3590
- 12 - 22HDCC4240
- 6 - 22HDCC4840

O4ASO700ECA



Over 700 Connectors
3 Different Body and Pin assemblies

2PC. EDGE CONNECTORS

ASSORTMENT CONSISTS OF APPROXIMATELY:

- 100 - 27TPF0003A
- 100 - 27TPF0003B
- 100 - 27TPF0004A
- 100 - 27TPF0004B
- 75 - 27TPF0002A
- 75 - 27TPF0002B
- 75 - 27TPF0001A
- 75 - 27TPF0001B

O4ASO180TCH



Over 100 Transistor Covers
Transistor and Capacitor Mounts in
17 Different Styles and Configurations

TRANSISTOR HARDWARE

ASSORTMENT CONSISTS OF APPROXIMATELY:

- 12 - 19PTI1
- 12 - 19PTI2
- 12 - 19PTI1HD
- 12 - 19PTI2HD
- 12 - 19PTI1WOB
- 12 - 19PTI2WOB
- 12 - 19PTI1HDWOB
- 12 - 19PTI2HDWOB
- 4 - 21PTC01031
- 4 - 21PTC01032
- 4 - 21PTC01033
- 4 - 21PTC010661
- 4 - 21PTC010662
- 2 - 21PTC010663
- 20 - 22CM0100
- 20 - 22CM0150
- 20 - 22CM0200

FASTENER ASSORTMENT KITS

SECTION
XI

O4AS0725MSP



P.C.B. POSTS

ASSORTMENT CONSISTS OF APPROXIMATELY:

- 100 - 27MSP00125
- 100 - 27MSP00250
- 95 - 27MSP00312
- 80 - 27MSP00375
- 70 - 27MSP00437
- 60 - 27MSP00500
- 50 - 27MSP00625
- 40 - 27MSP00750
- 75 - 27MSP00875
- 65 - 27MSP01000

O4AS0036CG



P.C.B. CARD GUIDES

ASSORTMENT CONSISTS OF APPROXIMATELY:

- 4 - 21CG00600 CARD GUIDES
- 4 - 21CG00550 CARD GUIDES
- 4 - 21CG00450 CARD GUIDES
- 6 - 21CG00400 CARD GUIDES
- 6 - 21CG00350 CARD GUIDES
- 6 - 21CG00300 CARD GUIDES
- 6 - 21CG00250 CARD GUIDES

O4AS0120WAR



Over 115 Nylon Screw Anchors
in 12 Different Styles and Sizes.

WALL ANCHOR / RIVETS

ASSORTMENT CONSISTS OF APPROXIMATELY:

- 40 - #6 / #8 SCREW ANCHORS
- 24 - #10 / #12 SCREW ANCHORS
- 20 - #14 / #16 SCREW ANCHORS
- 4 - 3/16" X 3/4" 2 PIECE RIVET, STEEL
- 12 - 1/4" X 1" 2 PIECE RIVET, STEEL
- 4 - 1/4" X 3/4" 2 PIECE RIVET, NYLON
- 8 - 1/4" X 1 1/2" 2 PIECE RIVET, NYLON
- 4 - 1/4" X 1" 2 PIECE RIVET, NYLON

O4AS0510FW



METRIC KIT page 285

All in Assorted Outside Diameters
and Thickness Ranges.

FLAT WASHERS

ASSORTMENT CONSISTS OF APPROXIMATELY:

- 50 - #2 FLATWASHERS
- 60 - #4 FLATWASHERS
- 60 - #6 FLATWASHERS
- 60 - #8 FLATWASHERS
- 60 - #10 FLATWASHERS
- 60 - 1/4" FLATWASHERS
- 40 - 3/8" FLATWASHERS
- 20 - 1/2" FLATWASHERS
- 100 - 9/16" to 3/4" FLATWASHERS

MOLDED NYLON FASTENERS PROVIDE ELECTRICAL INSULATION, VIBRATION AND CORROSION RESISTANCE. HAVE A LOW THERMAL CONDUCTIVITY, ARE NON-MAGNETIC AND HAVE A HIGH STRENGTH-TO-WEIGHT RATIO. PACKAGED IN LARGE REUSABLE TRANSPARENT PLASTIC STORAGE BOXES.

IDEAL FOR:

- PROTOTYPE WORK** - Large working assortments.
- PRODUCT DESIGN** - Latest designs for increased productivity.
- MODEL MAKING** - Commercially available standard parts.
- SHOP AND MAINTENANCE** - Convenient selection.

O4AS0190TLT



Over 180 Assorted Nylon Twist Lock Ties
in 6 Popular Sizes.

"EZ" TWIST LOCKS

ASSORTMENT CONSISTS OF APPROXIMATELY:

- 50 - 1/4" TWIST LOCK TIES
- 30 - 3/8" TWIST LOCK TIES
- 30 - 1/2" TWIST LOCK TIES
- 20 - 5/8" TWIST LOCK TIES
- 30 - 3/4" TWIST LOCK TIES
- 30 - 15/16" TWIST LOCK TIES

O4AS0201AFB



ALL-FIT BUSHINGS

ASSORTMENT CONSISTS OF APPROXIMATELY:

- 15 - 22AF1000
- 15 - 22AF1093
- 30 - 22AF0875
- 36 - 22AF0812
- 45 - 22AF0750
- 60 - 22AF0625

Over 200 Nylon All-Fit Bushings
in 6 Popular Sizes

FASTENER ASSORTMENT KITS

SECTION XI

MOLDED NYLON FASTENERS PROVIDE ELECTRICAL INSULATION, VIBRATION AND CORROSION RESISTANCE. HAVE A LOW THERMAL CONDUCTIVITY, ARE

NON-MAGNETIC AND HAVE A HIGH STRENGTH-TO-WEIGHT RATIO. PACKAGED IN LARGE REUSABLE TRANSPARENT PLASTIC STORAGE BOXES.

IDEAL FOR:

PROTOTYPE WORK - Large working assortments.

PRODUCT DESIGN - Latest designs for increased productivity.

MODEL MAKING - Commercially available standard parts.

SHOP AND MAINTENANCE - Convenient selection.

04AS0113LCA



Over 100 Lamp Accessories LAMP ACCESSORIES

ASSORTMENT CONSISTS OF APPROXIMATELY:

- 10 - 3 1/2" THREADED TUBING
- 25 - 1/8" LAMP SNAP BUSHING
- 8 - 1/8 NPS LAMPCORD BUSHING
- 6 - 1/4 NPS LAMPCORD BUSHING
- 4 - 3/8 NPS LAMPCORD BUSHING
- 3 - 1/2 NPS LAMPCORD BUSHING
- 3 - 1/2 NPS 2 PC. THREADED BUSHING
- 10 - 23MP04K10
- 10 - 23MP04L40
- 10 - 23MP04N40
- 10 - 22MP05005
- 15 - 22MP01020

04AS0180WT



WIRE/CABLE TIES

ASSORTMENT CONSISTS OF APPROXIMATELY:

- 144 - WIRE TIES 4" to 6 3/4" Natural & Black
- 40 - BEADED TIES 4 1/4" Long
- 26 - ASSORTED CLIPS, TABS AND MOUNTS

04AS0150SB



INSULATING BUSHINGS

ASSORTMENT CONSISTS OF APPROXIMATELY:

- 24 - 22MP01010
- 24 - 22MP01015
- 24 - 22MP01030
- 24 - 22MP01050
- 12 - 22MP01060
- 12 - 22MP01080
- 24 - 22MP03754
- 24 - 22MP05004
- 12 - 22MP05627
- 6 - 22MP06258
- 6 - 22MP07510
- 6 - 22MP10012

04AS0130NHP



HOLE PLUGS

ASSORTMENT CONSISTS OF THE FOLLOWING HOLE PLUGS IN SMOOTH AND MATTE FINISH. APPROXIMATE COUNTS.

- 10 - 3/16" HOLE PLUGS
- 10 - 1/4" HOLE PLUGS
- 10 - 5/16" HOLE PLUGS
- 10 - 3/8" HOLE PLUGS
- 10 - 7/16" HOLE PLUGS
- 10 - 1/2" HOLE PLUGS
- 10 - 9/16" HOLE PLUGS
- 10 - 5/8" HOLE PLUGS
- 10 - 11/16" HOLE PLUGS
- 10 - 3/4" HOLE PLUGS
- 10 - 13/16" HOLE PLUGS
- 10 - 7/8" HOLE PLUGS
- 10 - 1" HOLE PLUGS

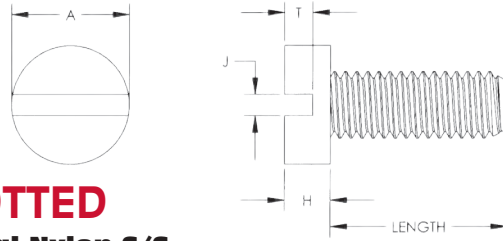
Over 130 Plugs in 13 Different Sizes and Types



METRIC SCREWS, BOLTS & THREADED ROD

SECTION
XII

ALL DIMENSIONS ARE IN MILLIMETERS



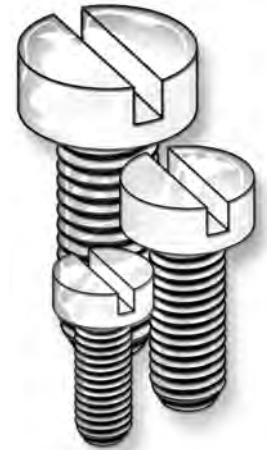
SCREW SIZE	A	H	J	T
M2 X 0.4	3.80	1.30	0.70	0.90
M2.5 X 0.45	4.50	1.60	0.80	1.00
M3 X 0.5	5.50	2.00	1.00	1.30
M3.5 X 0.6	6.00	2.40	1.10	1.40
M4 X 0.7	7.00	2.60	1.20	1.60
M5 X .08	8.50	3.30	1.50	2.00
M6 X 1.0	10.00	3.90	1.90	2.30
M8 X 1.25	13.00	5.00	2.30	2.80
M10 X 1.5	15.63	6.00	2.80	3.20

CHEESE SLOTTED

Molded in **Natural Nylon 6/6**

ITEM NUMBER	DESCRIPTION
50M020040D004	M2 X .4 X 4MM Cheese Slot
50M020040D005	M2 X .4 X 5MM Cheese Slot
50M020040D006	M2 X .4 X 6MM Cheese Slot
50M020040D008	M2 X .4 X 8MM Cheese Slot
50M020040D010	M2 X .4 X 10MM Cheese Slot
50M020040D012	M2 X .4 X 12MM Cheese Slot
50M020040D016	M2 X .4 X 16MM Cheese Slot
50M020040D020	M2 X .4 X 20MM Cheese Slot
50M020040D025	M2 X .4 X 25MM Cheese Slot
50M025045D004	M2.5 X .45 X 4MM Cheese Slot
50M025045D005	M2.5 X .45 X 5MM Cheese Slot
50M025045D006	M2.5 X .45 X 6MM Cheese Slot
50M025045D008	M2.5 X .45 X 8MM Cheese Slot
50M025045D010	M2.5 X .45 X 10MM Cheese Slot
50M025045D012	M2.5 X .45 X 12MM Cheese Slot
50M025045D016	M2.5 X .45 X 16MM Cheese Slot
50M025045D020	M2.5 X .45 X 20MM Cheese Slot
50M025045D025	M2.5 X .45 X 25MM Cheese Slot
50M030050D004	M3 X .5 X 4MM Cheese Slot
50M030050D005	M3 X .5 X 5MM Cheese Slot
50M030050D006	M3 X .5 X 6MM Cheese Slot
50M030050D008	M3 X .5 X 8MM Cheese Slot
50M030050D010	M3 X .5 X 10MM Cheese Slot
50M030050D012	M3 X .5 X 12MM Cheese Slot
50M030050D014	M3 X .5 X 14MM Cheese Slot
50M030050D016	M3 X .5 X 16MM Cheese Slot
50M030050D020	M3 X .5 X 20MM Cheese Slot
50M030050D025	M3 X .5 X 25MM Cheese Slot
50M030050D030	M3 X .5 X 30MM Cheese Slot
50M030050D035	M3 X .5 X 35MM Cheese Slot
50M030050D042	M3 X .5 X 42MM Cheese Slot
50M035060D005	M3.5 X .6 X 5MM Cheese Slot
50M035060D006	M3.5 X .6 X 6MM Cheese Slot
50M035060D008	M3.5 X .6 X 8MM Cheese Slot
50M035060D010	M3.5 X .6 X 10MM Cheese Slot
50M035060D012	M3.5 X .6 X 12MM Cheese Slot
50M035060D016	M3.5 X .6 X 16MM Cheese Slot
50M035060D020	M3.5 X .6 X 20MM Cheese Slot
50M035060D025	M3.5 X .6 X 25MM Cheese Slot
50M035060D035	M3.5 X .6 X 35MM Cheese Slot
50M035060D042	M3.5 X .6 X 42MM Cheese Slot
50M040070D004	M4 X .7 X 4MM Cheese Slot
50M040070D006	M4 X .7 X 6MM Cheese Slot
50M040070D008	M4 X .7 X 8MM Cheese Slot
50M040070D010	M4 X .7 X 10MM Cheese Slot
50M040070D012	M4 X .7 X 12MM Cheese Slot
50M040070D016	M4 X .7 X 16MM Cheese Slot

ITEM NUMBER	DESCRIPTION
50M040070D020	M4 X .7 X 20MM Cheese Slot
50M040070D025	M4 X .7 X 25MM Cheese Slot
50M040070D030	M4 X .7 X 30MM Cheese Slot
50M040070D035	M4 X .7 X 35MM Cheese Slot
50M040070D040	M4 X .7 X 40MM Cheese Slot
50M050080D006	M5 X .8 X 6MM Cheese Slot
50M050080D008	M5 X .8 X 8MM Cheese Slot
50M050080D010	M5 X .8 X 10MM Cheese Slot
50M050080D012	M5 X .8 X 12MM Cheese Slot
50M050080D016	M5 X .8 X 16MM Cheese Slot
50M050080D020	M5 X .8 X 20MM Cheese Slot
50M050080D025	M5 X .8 X 25MM Cheese Slot
50M050080D030	M5 X .8 X 30MM Cheese Slot
50M050080D035	M5 X .8 X 35MM Cheese Slot
50M050080D040	M5 X .8 X 40MM Cheese Slot
50M060100D005	M6 X 1.00 X 5MM Cheese Slot
50M060100D008	M6 X 1.00 X 8MM Cheese Slot
50M060100D010	M6 X 1.00 X 10MM Cheese Slot
50M060100D012	M6 X 1.00 X 12MM Cheese Slot
50M060100D016	M6 X 1.00 X 16MM Cheese Slot
50M060100D020	M6 X 1.00 X 20MM Cheese Slot
50M060100D025	M6 X 1.00 X 25MM Cheese Slot
50M060100D030	M6 X 1.00 X 30MM Cheese Slot
50M060100D035	M6 X 1.00 X 35MM Cheese Slot
50M060100D040	M6 X 1.00 X 40MM Cheese Slot
50M060100D045	M6 X 1.00 X 45MM Cheese Slot
50M060100D050	M6 X 1.00 X 50MM Cheese Slot
50M060100D060	M6 X 1.00 X 60MM Cheese Slot
50M060100D065	M6 X 1.00 X 65MM Cheese Slot
50M060100D070	M6 X 1.00 X 70MM Cheese Slot
50M060100D075	M6 X 1.00 X 75MM Cheese Slot
50M080125D010	M8 X 1.25 X 10MM Cheese Slot
50M080125D016	M8 X 1.25 X 16MM Cheese Slot
50M080125D020	M8 X 1.25 X 20MM Cheese Slot
50M080125D025	M8 X 1.25 X 25MM Cheese Slot
50M080125D030	M8 X 1.25 X 30MM Cheese Slot
50M080125D035	M8 X 1.25 X 35MM Cheese Slot
50M080125D050	M8 X 1.25 X 50MM Cheese Slot
50M080125D070	M8 X 1.25 X 70MM Cheese Slot
50M100150D016	M10 X 1.50 X 16MM Cheese Slot
50M100150D020	M10 X 1.50 X 20MM Cheese Slot
50M100150D030	M10 X 1.50 X 30MM Cheese Slot
50M100150D035	M10 X 1.50 X 35MM Cheese Slot
50M100150D050	M10 X 1.50 X 50MM Cheese Slot
50M100150D060	M10 X 1.50 X 60MM Cheese Slot



METRIC SCREWS, BOLTS & THREADED ROD

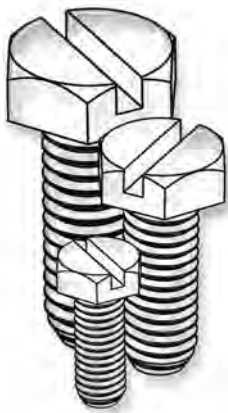
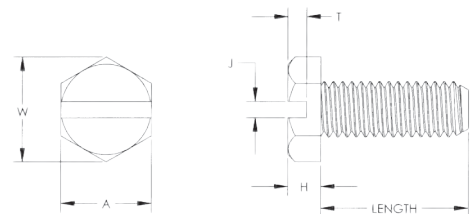
SECTION
XII

HEX SLOTTED

Molded in Natural Nylon 6/6

SCREW SIZE	A	W	H	J	T
M2	3.02 - 3.20	3.38	min. 1.3 - 1.6	.60	.46
M2.5	3.82 - 4.00	4.28	min. 1.8 - 2.1	.80	.99
M3	4.82 - 5.00	5.40	min. 2.0 - 2.3	.99	1.30
M3.5	5.32 - 5.50	5.96	min. 2.3 - 2.6	1.20	1.28
M4	6.78 - 7.00	7.59	min. 2.6 - 3.0	1.24	1.28
M5	7.78 - 8.00	8.71	min. 3.3 - 3.8	1.30	1.40
M6	9.78 - 10.00	10.95	min. 4.1 - 4.7	1.70	2.24
M8	12.73 - 13.00	14.26	min. 5.2 - 6.0	2.15	2.27
M10	15.73 - 16.00	17.62	min. 6.5 - 7.5	2.38	2.90

ALL DIMENSIONS ARE IN MILLIMETERS



ITEM NUMBER ----- DESCRIPTION -----

50M020040K004	M2	X .4	X	4MM	HEX SL
50M020040K005	M2	X .4	X	5MM	HEX SL
50M020040K006	M2	X .4	X	6MM	HEX SL
50M020040K008	M2	X .4	X	8MM	HEX SL
50M020040K010	M2	X .4	X	10MM	HEX SL
50M020040K012	M2	X .4	X	12MM	HEX SL
50M020040K016	M2	X .4	X	16MM	HEX SL
50M020040K020	M2	X .4	X	20MM	HEX SL
50M020040K025	M2	X .4	X	25MM	HEX SL
50M025045K004	M2.5	X .45	X	4MM	HEX SL
50M025045K005	M2.5	X .45	X	5MM	HEX SL
50M025045K006	M2.5	X .45	X	6MM	HEX SL
50M025045K008	M2.5	X .45	X	8MM	HEX SL
50M025045K010	M2.5	X .45	X	10MM	HEX SL
50M025045K012	M2.5	X .45	X	12MM	HEX SL
50M025045K016	M2.5	X .45	X	16MM	HEX SL
50M025045K020	M2.5	X .45	X	20MM	HEX SL
50M025045K025	M2.5	X .45	X	25MM	HEX SL
50M030050K004	M3	X .5	X	4MM	HEX SL
50M030050K005	M3	X .5	X	5MM	HEX SL
50M030050K006	M3	X .5	X	6MM	HEX SL
50M030050K008	M3	X .5	X	8MM	HEX SL
50M030050K010	M3	X .5	X	10MM	HEX SL
50M030050K012	M3	X .5	X	12MM	HEX SL
50M030050K016	M3	X .5	X	16MM	HEX SL
50M030050K020	M3	X .5	X	20MM	HEX SL
50M030050K025	M3	X .5	X	25MM	HEX SL
50M030050K030	M3	X .5	X	30MM	HEX SL
50M030050K035	M3	X .5	X	35MM	HEX SL
50M030050K042	M3	X .5	X	42MM	HEX SL
50M035060K005	M3.5	X .6	X	5MM	HEX SL
50M035060K006	M3.5	X .6	X	6MM	HEX SL
50M035060K007	M3.5	X .6	X	7MM	HEX SL
50M035060K008	M3.5	X .6	X	8MM	HEX SL
50M035060K010	M3.5	X .6	X	10MM	HEX SL
50M035060K012	M3.5	X .6	X	12MM	HEX SL
50M035060K016	M3.5	X .6	X	16MM	HEX SL
50M035060K020	M3.5	X .6	X	20MM	HEX SL
50M035060K025	M3.5	X .6	X	25MM	HEX SL
50M035060K035	M3.5	X .6	X	35MM	HEX SL
50M035060K042	M3.5	X .6	X	42MM	HEX SL
50M040070K006	M4	X .7	X	6MM	HEX SL
50M040070K008	M4	X .7	X	8MM	HEX SL
50M040070K010	M4	X .7	X	10MM	HEX SL
50M040070K012	M4	X .7	X	12MM	HEX SL
50M040070K016	M4	X .7	X	16MM	HEX SL

ITEM NUMBER ----- DESCRIPTION -----

50M040070K020	M4	X .7	X	20MM	HEX SL
50M040070K025	M4	X .7	X	25MM	HEX SL
50M040070K030	M4	X .7	X	30MM	HEX SL
50M040070K035	M4	X .7	X	35MM	HEX SL
50M040070K040	M4	X .7	X	40MM	HEX SL
50M050080K006	M5	X .8	X	6MM	HEX SL
50M050080K008	M5	X .8	X	8MM	HEX SL
50M050080K010	M5	X .8	X	10MM	HEX SL
50M050080K012	M5	X .8	X	12MM	HEX SL
50M050080K016	M5	X .8	X	16MM	HEX SL
50M050080K020	M5	X .8	X	20MM	HEX SL
50M050080K025	M5	X .8	X	25MM	HEX SL
50M050080K030	M5	X .8	X	30MM	HEX SL
50M050080K035	M5	X .8	X	35MM	HEX SL
50M050080K040	M5	X .8	X	40MM	HEX SL
50M060100K005	M6	X 1.00	X	5MM	HEX SL
50M060100K008	M6	X 1.00	X	8MM	HEX SL
50M060100K010	M6	X 1.00	X	10MM	HEX SL
50M060100K012	M6	X 1.00	X	12MM	HEX SL
50M060100K016	M6	X 1.00	X	16MM	HEX SL
50M060100K020	M6	X 1.00	X	20MM	HEX SL
50M060100K025	M6	X 1.00	X	25MM	HEX SL
50M060100K030	M6	X 1.00	X	30MM	HEX SL
50M060100K035	M6	X 1.00	X	35MM	HEX SL
50M060100K040	M6	X 1.00	X	40MM	HEX SL
50M060100K045	M6	X 1.00	X	45MM	HEX SL
50M060100K050	M6	X 1.00	X	50MM	HEX SL
50M060100K060	M6	X 1.00	X	60MM	HEX SL
50M060100K070	M6	X 1.00	X	70MM	HEX SL
50M060100K075	M6	X 1.00	X	75MM	HEX SL
50M080125K010	M8	X 1.25	X	10MM	HEX SL
50M080125K016	M8	X 1.25	X	16MM	HEX SL
50M080125K020	M8	X 1.25	X	20MM	HEX SL
50M080125K025	M8	X 1.25	X	25MM	HEX SL
50M080125K030	M8	X 1.25	X	30MM	HEX SL
50M080125K035	M8	X 1.25	X	35MM	HEX SL
50M080125K040	M8	X 1.25	X	40MM	HEX SL
50M080125K050	M8	X 1.25	X	50MM	HEX SL
50M080125K070	M8	X 1.25	X	70MM	HEX SL
50M100150K016	M10	X 1.50	X	16MM	HEX SL
50M100150K020	M10	X 1.50	X	20MM	HEX SL
50M100150K025	M10	X 1.50	X	25MM	HEX SL
50M100150K030	M10	X 1.50	X	30MM	HEX SL
50M100150K035	M10	X 1.50	X	35MM	HEX SL
50M100150K050	M10	X 1.50	X	50MM	HEX SL
50M100150K060	M10	X 1.50	X	60MM	HEX SL



METRIC SCREWS, BOLTS & THREADED ROD

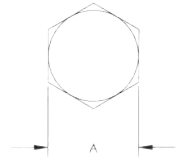
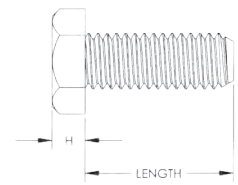
ALL DIMENSIONS ARE IN MILLIMETERS

HEX

Molded in **Natural Nylon 6/6**

ITEM NUMBER	-----	DESCRIPTION	-----
50M020040J004	M2	X .4 X 4MM	HEX
50M020040J005	M2	X .4 X 5MM	HEX
50M020040J006	M2	X .4 X 6MM	HEX
50M020040J008	M2	X .4 X 8MM	HEX
50M020040J010	M2	X .4 X 10MM	HEX
50M020040J012	M2	X .4 X 12MM	HEX
50M020040J016	M2	X .4 X 16MM	HEX
50M020040J020	M2	X .4 X 20MM	HEX
50M020040J025	M2	X .4 X 25MM	HEX
50M025045J004	M2.5	X .45 X 4MM	HEX
50M025045J005	M2.5	X .45 X 5MM	HEX
50M025045J006	M2.5	X .45 X 6MM	HEX
50M025045J008	M2.5	X .45 X 8MM	HEX
50M025045J010	M2.5	X .45 X 10MM	HEX
50M025045J012	M2.5	X .45 X 12MM	HEX
50M025045J016	M2.5	X .45 X 16MM	HEX
50M025045J020	M2.5	X .45 X 20MM	HEX
50M025045J025	M2.5	X .45 X 25MM	HEX
50M030050J004	M3	X .5 X 4MM	HEX
50M030050J005	M3	X .5 X 5MM	HEX
50M030050J006	M3	X .5 X 6MM	HEX
50M030050J008	M3	X .5 X 8MM	HEX
50M030050J010	M3	X .5 X 10MM	HEX
50M030050J012	M3	X .5 X 12MM	HEX
50M030050J016	M3	X .5 X 16MM	HEX
50M030050J020	M3	X .5 X 20MM	HEX
50M030050J025	M3	X .5 X 25MM	HEX
50M030050J030	M3	X .5 X 30MM	HEX
50M030050J035	M3	X .5 X 35MM	HEX
50M030050J042	M3	X .5 X 42MM	HEX
50M035060J005	M3.5	X .6 X 5MM	HEX
50M035060J006	M3.5	X .6 X 6MM	HEX
50M035060J007	M3.5	X .6 X 7MM	HEX
50M035060J008	M3.5	X .6 X 8MM	HEX
50M035060J010	M3.5	X .6 X 10MM	HEX
50M035060J012	M3.5	X .6 X 12MM	HEX
50M035060J016	M3.5	X .6 X 16MM	HEX
50M035060J020	M3.5	X .6 X 20MM	HEX
50M035060J025	M3.5	X .6 X 25MM	HEX
50M035060J035	M3.5	X .6 X 35MM	HEX
50M035060J042	M3.5	X .6 X 42MM	HEX
50M040070J006	M4	X .7 X 6MM	HEX
50M040070J008	M4	X .7 X 8MM	HEX
50M040070J010	M4	X .7 X 10MM	HEX
50M040070J012	M4	X .7 X 12MM	HEX
50M040070J016	M4	X .7 X 16MM	HEX
50M040070J020	M4	X .7 X 20MM	HEX
50M040070J025	M4	X .7 X 25MM	HEX
50M040070J030	M4	X .7 X 30MM	HEX
50M040070J035	M4	X .7 X 35MM	HEX
50M040070J040	M4	X .7 X 40MM	HEX
50M050080J006	M5	X .8 X 6MM	HEX

ITEM NUMBER	-----	DESCRIPTION	-----
50M050080J008	M5	X .8 8MM	HEX
50M050080J010	M5	X .8 10MM	HEX
50M050080J012	M5	X .8 12MM	HEX
50M050080J014	M5	X .8 14MM	HEX
50M050080J016	M5	X .8 16MM	HEX
50M050080J020	M5	X .8 20MM	HEX
50M050080J025	M5	X .8 25MM	HEX
50M050080J030	M5	X .8 30MM	HEX
50M050080J035	M5	X .8 35MM	HEX
50M050080J040	M5	X .8 40MM	HEX
50M050080J070	M5	X .8 70MM	HEX
50M060100J005	M6	X 1.00 5MM	HEX
50M060100J008	M6	X 1.00 8MM	HEX
50M060100J010	M6	X 1.00 10MM	HEX
50M060100J012	M6	X 1.00 12MM	HEX
50M060100J016	M6	X 1.00 16MM	HEX
50M060100J020	M6	X 1.00 20MM	HEX
50M060100J025	M6	X 1.00 25MM	HEX
50M060100J030	M6	X 1.00 30MM	HEX
50M060100J035	M6	X 1.00 35MM	HEX
50M060100J040	M6	X 1.00 40MM	HEX
50M060100J045	M6	X 1.00 45MM	HEX
50M060100J050	M6	X 1.00 50MM	HEX
50M060100J070	M6	X 1.00 70MM	HEX
50M060100J075	M6	X 1.00 75MM	HEX
50M080125J006	M8	X 1.25 6MM	HEX
50M080125J010	M8	X 1.25 10MM	HEX
50M080125J016	M8	X 1.25 16MM	HEX
50M080125J020	M8	X 1.25 20MM	HEX
50M080125J025	M8	X 1.25 25MM	HEX
50M080125J030	M8	X 1.25 30MM	HEX
50M080125J035	M8	X 1.25 35MM	HEX
50M080125J040	M8	X 1.25 40MM	HEX
50M080125J050	M8	X 1.25 50MM	HEX
50M080125J070	M8	X 1.25 70MM	HEX
50M080125J080	M8	X 1.25 80MM	HEX
50M100150J016	M10	X 1.50 16MM	HEX
50M100150J020	M10	X 1.50 20MM	HEX
50M100150J025	M10	X 1.50 25MM	HEX
50M100150J030	M10	X 1.50 30MM	HEX
50M100150J035	M10	X 1.50 35MM	HEX
50M100150J050	M10	X 1.50 50MM	HEX
50M100150J060	M10	X 1.50 60MM	HEX
50M120125J012	M12	X 1.25 12MM	HEX
50M120175J020	M12	X 1.75 20MM	HEX
50M120175J025	M12	X 1.75 25MM	HEX
50M120175J030	M12	X 1.75 30MM	HEX
50M120175J035	M12	X 1.75 35MM	HEX
50M120175J040	M12	X 1.75 40MM	HEX
50M120175J050	M12	X 1.75 50MM	HEX



SCREW SIZE	A	H	W
M2	3.02 - 3.20	1.3 - 1.6	3.38 min.
M2.5	3.82 - 4.00	1.8 - 2.1	4.28 min.
M3	4.82 - 5.00	2.0 - 2.3	5.40 min.
M3.5	5.32 - 5.50	2.3 - 2.6	5.96 min.
M4	6.78 - 7.00	2.6 - 3.0	7.59 min.
M5	7.78 - 8.00	3.3 - 3.8	8.71 min.
M6	9.78 - 10.00	4.1 - 4.7	10.95 min.
M8	12.73 - 13.00	5.2 - 6.0	14.26 min.
M10	15.73 - 16.00	6.5 - 7.5	17.62 min.
M12	17.73 - 18.00	7.8 - 9.0	19.86 min.



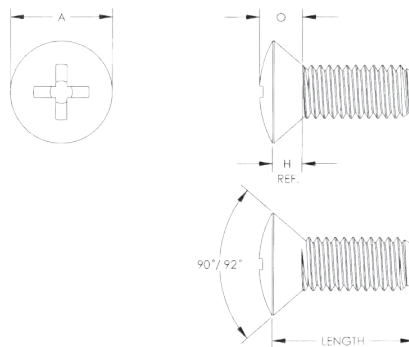
SECTION
XII

METRIC SCREWS, BOLTS & THREADED ROD

SECTION
XII



ALL DIMENSIONS ARE IN MILLIMETERS



OVAL PHILLIPS

Molded in **Natural Nylon 6/6**

ITEM NUMBER	DESCRIPTION			
50M025045M004	M2.5	X .45	X 4MM	Oval Phil
50M025045M005	M2.5	X .45	X 5MM	Oval Phil
50M025045M006	M2.5	X .45	X 6MM	Oval Phil
50M025045M008	M2.5	X .45	X 8MM	Oval Phil
50M025045M010	M2.5	X .45	X 10MM	Oval Phil
50M025045M012	M2.5	X .45	X 12MM	Oval Phil
50M025045M016	M2.5	X .45	X 16MM	Oval Phil
50M025045M020	M2.5	X .45	X 20MM	Oval Phil
50M025045M025	M2.5	X .45	X 25MM	Oval Phil
50M030050M005	M3	X .5	X 5MM	Oval Phil
50M030050M006	M3	X .5	X 6MM	Oval Phil
50M030050M008	M3	X .5	X 8MM	Oval Phil
50M030050M010	M3	X .5	X 10MM	Oval Phil
50M030050M012	M3	X .5	X 12MM	Oval Phil
50M030050M016	M3	X .5	X 16MM	Oval Phil
50M030050M020	M3	X .5	X 20MM	Oval Phil
50M030050M025	M3	X .5	X 25MM	Oval Phil
50M035060M005	M3.5	X .6	X 5MM	Oval Phil
50M035060M006	M3.5	X .6	X 6MM	Oval Phil
50M035060M008	M3.5	X .6	X 8MM	Oval Phil
50M035060M010	M3.5	X .6	X 10MM	Oval Phil
50M035060M012	M3.5	X .6	X 12MM	Oval Phil
50M035060M016	M3.5	X .6	X 16MM	Oval Phil
50M035060M020	M3.5	X .6	X 20MM	Oval Phil
50M035060M025	M3.5	X .6	X 25MM	Oval Phil
50M035060M035	M3.5	X .6	X 35MM	Oval Phil
50M040070M006	M4	X .7	X 6MM	Oval Phil
50M040070M008	M4	X .7	X 8MM	Oval Phil
50M040070M010	M4	X .7	X 10MM	Oval Phil
50M040070M012	M4	X .7	X 12MM	Oval Phil

ITEM NUMBER	DESCRIPTION			
50M040070M016	M4	X .7	X 16MM	Oval Phil
50M040070M020	M4	X .7	X 20MM	Oval Phil
50M040070M025	M4	X .7	X 25MM	Oval Phil
50M050080M006	M5	X .8	X 6MM	Oval Phil
50M050080M008	M5	X .8	X 8MM	Oval Phil
50M050080M010	M5	X .8	X 10MM	Oval Phil
50M050080M012	M5	X .8	X 12MM	Oval Phil
50M050080M016	M5	X .8	X 16MM	Oval Phil
50M050080M020	M5	X .8	X 20MM	Oval Phil
50M050080M025	M5	X .8	X 25MM	Oval Phil
50M050080M030	M5	X .8	X 30MM	Oval Phil
50M050080M040	M5	X .8	X 40MM	Oval Phil
50M060100M008	M6	X 1.00	X 8MM	Oval Phil
50M060100M010	M6	X 1.00	X 10MM	Oval Phil
50M060100M012	M6	X 1.00	X 12MM	Oval Phil
50M060100M016	M6	X 1.00	X 16MM	Oval Phil
50M060100M020	M6	X 1.00	X 20MM	Oval Phil
50M060100M025	M6	X 1.00	X 25MM	Oval Phil
50M060100M035	M6	X 1.00	X 35MM	Oval Phil
50M060100M045	M6	X 1.00	X 45MM	Oval Phil
50M080125M010	M8	X 1.25	X 10MM	Oval Phil
50M080125M016	M8	X 1.25	X 16MM	Oval Phil
50M080125M020	M8	X 1.25	X 20MM	Oval Phil
50M080125M025	M8	X 1.25	X 25MM	Oval Phil
50M080125M030	M8	X 1.25	X 30MM	Oval Phil
50M080125M050	M8	X 1.25	X 50MM	Oval Phil
50M100150M020	M10	X 1.5	X 20MM	Oval Phil
50M100150M025	M10	X 1.5	X 25MM	Oval Phil
50M100150M035	M10	X 1.5	X 35MM	Oval Phil

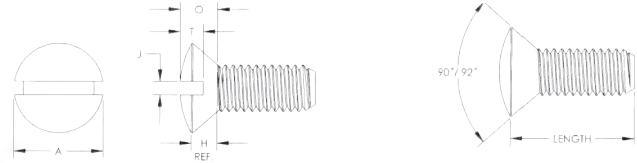
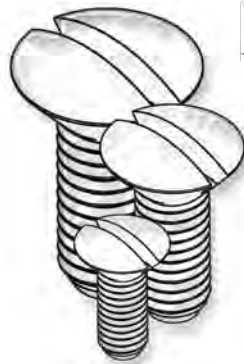


THREAD SIZE	A	H	O
M2 X 0.4	3.5 - 4.4	1.2 max ref.	1.7 max
M2.5 X 0.45	4.4 - 5.5	1.5 max ref.	2.1 max
M3 X 0.5	5.2 - 6.3	1.7 max ref.	2.4 max
M3.5 X 0.6	6.9 - 8.2	2.3 max ref.	3.1 max
M4 X 0.7	8.0 - 9.4	2.7 max ref.	3.7 max
M5 X 0.8	8.9 - 10.4	2.7 max ref.	3.9 max
M6 X 1	10.9 - 12.6	3.3 max ref.	4.7 max
M8 X 1.25	15.4 - 17.3	4.6 max ref.	6.6 max
M10 X 1.5	17.8 - 20.0	5.0 max ref.	7.3 max

METRIC SCREWS, BOLTS & THREADED ROD

ALL DIMENSIONS ARE IN MILLIMETERS

SECTION
XII



OVAL SLOTTED

Molded in **Natural Nylon 6/6**

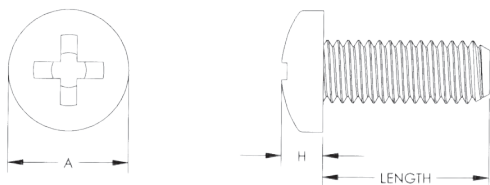
THREAD SIZE	A	H	O	J	T
M2 X 0.4	3.5 - 4.4	1.2 max ref.	1.7 max	0.5 - 0.7	0.8 - 1.0
M2.5 X 0.45	4.4 - 5.5	1.5 max ref.	2.1 max	0.6 - 0.8	1.0 - 1.2
M3 X 0.5	5.2 - 6.3	1.7 max ref.	2.4 max	0.8 - 1.0	1.2 - 1.5
M3.5 X 0.6	6.9 - 8.2	2.3 max ref.	3.1 max	1.0 - 1.2	1.4 - 1.7
M4 X 0.7	8.0 - 9.4	2.7 max ref.	3.7 max	1.2 - 1.5	1.6 - 1.9
M5 X 0.8	8.9 - 10.4	2.7 max ref.	3.9 max	1.2 - 1.5	2.0 - 2.4
M6 X 1	10.9 - 12.6	3.3 max ref.	4.7 max	1.6 - 1.9	2.4 - 2.8
M8 X 1.25	15.4 - 17.3	4.6 max ref.	6.6 max	2.0 - 2.3	3.2 - 3.7
M10 X 1.5	17.8 - 20.0	5.0 max ref.	7.3 max	2.5 - 2.8	3.8 - 4.4

ITEM NUMBER	DESCRIPTION	ITEM NUMBER	DESCRIPTION
50M020040L004	M2 X .4 X 4MM Oval Slot	50M040070L012	M4 X .7 X 12MM Oval Slot
50M020040L005	M2 X .4 X 5MM Oval Slot	50M040070L015	M4 X .7 X 15MM Oval Slot
50M020040L006	M2 X .4 X 6MM Oval Slot	50M040070L016	M4 X .7 X 16MM Oval Slot
50M020040L008	M2 X .4 X 8MM Oval Slot	50M040070L020	M4 X .7 X 20MM Oval Slot
50M020040L010	M2 X .4 X 10MM Oval Slot	50M040070L025	M4 X .7 X 25MM Oval Slot
50M020040L011	M2 X .4 X 11MM Oval Slot	50M040070L030	M4 X .7 X 30MM Oval Slot
50M020040L012	M2 X .4 X 12MM Oval Slot	50M040070L035	M4 X .7 X 35MM Oval Slot
50M020040L016	M2 X .4 X 16MM Oval Slot	50M050080L006	M5 X .8 X 6MM Oval Slot
50M020040L025	M2 X .4 X 25MM Oval Slot	50M050080L008	M5 X .8 X 8MM Oval Slot
50M025045L004	M2.5 X .45 X 4MM Oval Slot	50M050080L010	M5 X .8 X 10MM Oval Slot
50M025045L005	M2.5 X .45 X 5MM Oval Slot	50M050080L012	M5 X .8 X 12MM Oval Slot
50M025045L006	M2.5 X .45 X 6MM Oval Slot	50M050080L015	M5 X .8 X 15MM Oval Slot
50M025045L008	M2.5 X .45 X 8MM Oval Slot	50M050080L016	M5 X .8 X 16MM Oval Slot
50M025045L010	M2.5 X .45 X 10MM Oval Slot	50M050080L020	M5 X .8 X 20MM Oval Slot
50M025045L012	M2.5 X .45 X 12MM Oval Slot	50M050080L025	M5 X .8 X 25MM Oval Slot
50M025045L016	M2.5 X .45 X 16MM Oval Slot	50M050080L030	M5 X .8 X 30MM Oval Slot
50M025045L020	M2.5 X .45 X 20MM Oval Slot	50M050080L035	M5 X .8 X 35MM Oval Slot
50M025045L025	M2.5 X .5 X 25MM Oval Slot	50M050080L040	M5 X .8 X 40MM Oval Slot
50M030050L005	M3 X .5 X 5MM Oval Slot	50M060100L008	M6 X 1.00 X 8MM Oval Slot
50M030050L006	M3 X .5 X 6MM Oval Slot	50M060100L010	M6 X 1.00 X 10MM Oval Slot
50M030050L008	M3 X .5 X 8MM Oval Slot	50M060100L012	M6 X 1.00 X 12MM Oval Slot
50M030050L010	M3 X .5 X 10MM Oval Slot	50M060100L016	M6 X 1.00 X 16MM Oval Slot
50M030050L012	M3 X .5 X 12MM Oval Slot	50M060100L020	M6 X 1.00 X 20MM Oval Slot
50M030050L015	M3 X .5 X 15MM Oval Slot	50M060100L025	M6 X 1.00 X 25MM Oval Slot
50M030050L016	M3 X .5 X 16MM Oval Slot	50M060100L035	M6 X 1.00 X 35MM Oval Slot
50M030050L020	M3 X .5 X 20MM Oval Slot	50M060100L040	M6 X 1.00 X 40MM Oval Slot
50M030050L025	M3 X .5 X 25MM Oval Slot	50M060100L045	M6 X 1.00 X 45MM Oval Slot
50M030050L030	M3 X .5 X 30MM Oval Slot	50M060100L050	M6 X 1.00 X 50MM Oval Slot
50M030050L042	M3 X .5 X 42MM Oval Slot	50M080125L020	M8 X 1.25 X 20MM Oval Slot
50M035060L005	M3.5 X .6 X 5MM Oval Slot	50M080125L030	M8 X 1.25 X 30MM Oval Slot
50M035060L006	M3.5 X .6 X 6MM Oval Slot	50M080125L050	M8 X 1.25 X 50MM Oval Slot
50M035060L008	M3.5 X .6 X 8MM Oval Slot	50M100150L020	M10 X 1.50 X 20MM Oval Slot
50M035060L010	M3.5 X .6 X 10MM Oval Slot	50M100150L025	M10 X 1.50 X 25MM Oval Slot
50M035060L016	M3.5 X .6 X 16MM Oval Slot	50M100150L030	M10 X 1.50 X 30MM Oval Slot
50M035060L020	M3.5 X .6 X 20MM Oval Slot	50M100150L035	M10 X 1.50 X 35MM Oval Slot
50M035060L025	M3.5 X .6 X 25MM Oval Slot	50M100150L060	M10 X 1.50 X 60MM Oval Slot
50M035060L035	M3.5 X .6 X 35MM Oval Slot		
50M040070L006	M4 X .7 X 6MM Oval Slot		
50M040070L008	M4 X .7 X 8MM Oval Slot		
50M040070L010	M4 X .7 X 10MM Oval Slot		

METRIC SCREWS, BOLTS & THREADED ROD

SECTION
XII

ALL DIMENSIONS ARE IN MILLIMETERS



PAN PHILLIPS

Molded in Natural Nylon 6/6



THREAD SIZE	A	H
M2	3.7 - 4.0	1.4 - 1.6
M2.5	4.7 - 5.0	1.9 - 2.1
M3	5.3 - 5.6	2.2 - 2.4
M3.5	6.6 - 7.0	2.3 - 2.6
M4	7.6 - 8.0	2.8 - 3.1
M5	9.1 - 9.5	3.4 - 3.7
M6	11.5 - 12.0	4.3 - 4.6
M8	15.5 - 16.0	5.6 - 6.0
M10	19.4 - 20.0	7.1 - 7.5

ITEM NUMBER ----- DESCRIPTION ----

50M020040P004	M2	X .4	X 4MM	Pan Phil
50M020040P005	M2	X .4	X 5MM	Pan Phil
50M020040P006	M2	X .4	X 6MM	Pan Phil
50M020040P008	M2	X .4	X 8MM	Pan Phil
50M020040P010	M2	X .4	X 10MM	Pan Phil
50M020040P012	M2	X .4	X 12MM	Pan Phil
50M020040P016	M2	X .4	X 16MM	Pan Phil
50M020040P020	M2	X .4	X 20MM	Pan Phil
50M020040P025	M2	X .4	X 25MM	Pan Phil
50M025045P004	M2.5	X .45	X 4MM	Pan Phil
50M025045P005	M2.5	X .45	X 5MM	Pan Phil
50M025045P006	M2.5	X .45	X 6MM	Pan Phil
50M025045P008	M2.5	X .45	X 8MM	Pan Phil
50M025045P010	M2.5	X .45	X 10MM	Pan Phil
50M025045P012	M2.5	X .45	X 12MM	Pan Phil
50M025045P016	M2.5	X .45	X 16MM	Pan Phil
50M025045P020	M2.5	X .45	X 20MM	Pan Phil
50M025045P025	M2.5	X .45	X 25MM	Pan Phil
50M030050 P003	M3	X .5	X 3MM	Pan Phil
50M030050P004	M3	X .5	X 4MM	Pan Phil
50M030050P005	M3	X .5	X 5MM	Pan Phil
50M030050P006	M3	X .5	X 6MM	Pan Phil
50M030050P008	M3	X .5	X 8MM	Pan Phil
50M030050P010	M3	X .5	X 10MM	Pan Phil
50M030050P012	M3	X .5	X 12MM	Pan Phil
50M030050P016	M3	X .5	X 16MM	Pan Phil
50M030050P020	M3	X .5	X 20MM	Pan Phil
50M030050P025	M3	X .5	X 25MM	Pan Phil
50M030050P030	M3	X .5	X 30MM	Pan Phil
50M030050P035	M3	X .5	X 35MM	Pan Phil
50M030050P042	M3	X .5	X 42MM	Pan Phil
50M035060P005	M3.5	X .6	X 5MM	Pan Phil
50M035060P006	M3.5	X .6	X 6MM	Pan Phil
50M035060P007	M3.5	X .6	X 7MM	Pan Phil
50M035060P008	M3.5	X .6	X 8MM	Pan Phil
50M035060P010	M3.5	X .6	X 10MM	Pan Phil
50M035060P012	M3.5	X .6	X 12MM	Pan Phil
50M035060P016	M3.5	X .6	X 16MM	Pan Phil
50M035060P020	M3.5	X .6	X 20MM	Pan Phil
50M035060P025	M3.5	X .6	X 25MM	Pan Phil
50M035060P035	M3.5	X .6	X 35MM	Pan Phil
50M035060P042	M3.5	X .6	X 42MM	Pan Phil
50M040070P003	M4	X .7	X 3MM	Pan Phil
50M040070P006	M4	X .7	X 6MM	Pan Phil
50M040070P008	M4	X .7	X 8MM	Pan Phil
50M040070P010	M4	X .7	X 10MM	Pan Phil
50M040070P012	M4	X .7	X 12MM	Pan Phil
50M040070P016	M4	X .7	X 16MM	Pan Phil
50M040070P020	M4	X .7	X 20MM	Pan Phil

ITEM NUMBER ----- DESCRIPTION ----

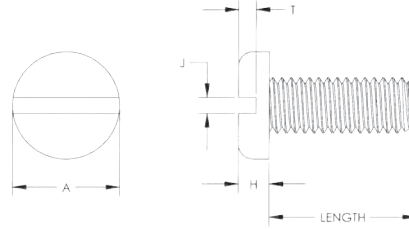
50M040070P025	M4	X .7	X 25MM	Pan Phil
50M040070P030	M4	X .7	X 30MM	Pan Phil
50M040070P035	M4	X .7	X 35MM	Pan Phil
50M040070P040	M4	X .7	X 40MM	Pan Phil
50M050080P006	M5	X .8	X 6MM	Pan Phil
50M050080P008	M5	X .8	X 8MM	Pan Phil
50M050080P010	M5	X .8	X 10MM	Pan Phil
50M050080P012	M5	X .8	X 12MM	Pan Phil
50M050080P015	M5	X .8	X 15MM	Pan Phil
50M050080P016	M5	X .8	X 16MM	Pan Phil
50M050080P020	M5	X .8	X 20MM	Pan Phil
50M050080P025	M5	X .8	X 25MM	Pan Phil
50M050080P030	M5	X .8	X 30MM	Pan Phil
50M050080P035	M5	X .8	X 35MM	Pan Phil
50M050080P040	M5	X .8	X 40MM	Pan Phil
50M060100P005	M6	X 1.00	X 5MM	Pan Phil
50M060100P008	M6	X 1.00	X 8MM	Pan Phil
50M060100P010	M6	X 1.00	X 10MM	Pan Phil
50M060100P012	M6	X 1.00	X 12MM	Pan Phil
50M060100P016	M6	X 1.00	X 16MM	Pan Phil
50M060100P020	M6	X 1.00	X 20MM	Pan Phil
50M060100P022	M6	X 1.00	X 22MM	Pan Phil
50M060100P025	M6	X 1.00	X 25MM	Pan Phil
50M060100P030	M6	X 1.00	X 30MM	Pan Phil
50M060100P035	M6	X 1.00	X 35MM	Pan Phil
50M060100P040	M6	X 1.00	X 40MM	Pan Phil
50M060100P045	M6	X 1.00	X 45MM	Pan Phil
50M060100P050	M6	X 1.00	X 50MM	Pan Phil
50M060100P060	M6	X 1.00	X 60MM	Pan Phil
50M060100P070	M6	X 1.00	X 70MM	Pan Phil
50M060100P075	M6	X 1.00	X 75MM	Pan Phil
50M080125P010	M8	X 1.25	X 10MM	Pan Phil
50M080125P016	M8	X 1.25	X 16MM	Pan Phil
50M080125P020	M8	X 1.25	X 20MM	Pan Phil
50M080125P025	M8	X 1.25	X 25MM	Pan Phil
50M080125P030	M8	X 1.25	X 30MM	Pan Phil
50M080125P035	M8	X 1.25	X 35MM	Pan Phil
50M080125P050	M8	X 1.25	X 50MM	Pan Phil
50M080125P070	M8	X 1.25	X 70MM	Pan Phil
50M100150P013	M10	X 1.50	X 13MM	Pan Phil
50M100150P016	M10	X 1.50	X 16MM	Pan Phil
50M100150P019	M10	X 1.50	X 19MM	Pan Phil
50M100150P020	M10	X 1.50	X 20MM	Pan Phil
50M100150P025	M10	X 1.50	X 25MM	Pan Phil
50M100150P030	M10	X 1.50	X 30MM	Pan Phil
50M100150P035	M10	X 1.50	X 35MM	Pan Phil
50M100150P050	M10	X 1.50	X 50MM	Pan Phil
50M100150P060	M10	X 1.50	X 60MM	Pan Phil



METRIC SCREWS, BOLTS & THREADED ROD

ALL DIMENSIONS ARE IN MILLIMETERS

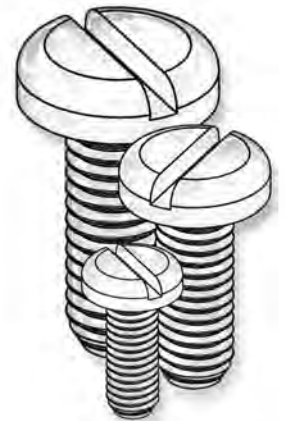
SECTION
XII



ITEM NUMBER	DESCRIPTION
50M020040N004	M2 X .4 X 4MM Pan Slot
50M020040N003	M2 X .4 X 3MM Pan Slot
50M020040N005	M2 X .4 X 5MM Pan Slot
50M020040N006	M2 X .4 X 6MM Pan Slot
50M020040N008	M2 X .4 X 8MM Pan Slot
50M020040N010	M2 X .4 X 10MM Pan Slot
50M020040N012	M2 X .4 X 12MM Pan Slot
50M020040N016	M2 X .4 X 16MM Pan Slot
50M020040N020	M2 X .4 X 20MM Pan Slot
50M020040N025	M2 X .4 X 25MM Pan Slot
50M025045N004	M2.5 X .45 X 4MM Pan Slot
50M025045N005	M2.5 X .45 X 5MM Pan Slot
50M025045N006	M2.5 X .45 X 6MM Pan Slot
50M025045N008	M2.5 X .45 X 8MM Pan Slot
50M025045N010	M2.5 X .45 X 10MM Pan Slot
50M025045N012	M2.5 X .45 X 12MM Pan Slot
50M025045N016	M2.5 X .45 X 16MM Pan Slot
50M025045N020	M2.5 X .45 X 20MM Pan Slot
50M025045N025	M2.5 X .45 X 25MM Pan Slot
50M030050N004	M3 X .5 X 4MM Pan Slot
50M030050N005	M3 X .5 X 5MM Pan Slot
50M030050N006	M3 X .5 X 6MM Pan Slot
50M030050N008	M3 X .5 X 8MM Pan Slot
50M030050N010	M3 X .5 X 10MM Pan Slot
50M030050N012	M3 X .5 X 12MM Pan Slot
50M030050N016	M3 X .5 X 16MM Pan Slot
50M030050N020	M3 X .5 X 20MM Pan Slot
50M030050N025	M3 X .5 X 25MM Pan Slot
50M030050N030	M3 X .5 X 30MM Pan Slot
50M030050N035	M3 X .5 X 35MM Pan Slot
50M030050N042	M3 X .5 X 42MM Pan Slot
50M035060N005	M3.5 X .6 X 5MM Pan Slot
50M035060N006	M3.5 X .6 X 6MM Pan Slot
50M035060N007	M3.5 X .6 X 7MM Pan Slot
50M035060N008	M3.5 X .6 X 8MM Pan Slot
50M035060N010	M3.5 X .6 X 10MM Pan Slot
50M035060N012	M3.5 X .6 X 12MM Pan Slot
50M035060N016	M3.5 X .6 X 16MM Pan Slot
50M035060N020	M3.5 X .6 X 20MM Pan Slot
50M035060N025	M3.5 X .6 X 25MM Pan Slot
50M035060N035	M3.5 X .6 X 35MM Pan Slot
50M035060N042	M3.5 X .6 X 42MM Pan Slot
50M040070N003	M4 X .7 X 3MM Pan Slot
50M040070N006	M4 X .7 X 6MM Pan Slot
50M040070N008	M4 X .7 X 8MM Pan Slot
50M040070N010	M4 X .7 X 10MM Pan Slot
50M040070N012	M4 X .7 X 12MM Pan Slot
50M040070N016	M4 X .7 X 16MM Pan Slot
50M040070N020	M4 X .7 X 20MM Pan Slot

ITEM NUMBER	DESCRIPTION
50M040070N025	M4 X .7 X 25MM Pan Slot
50M040070N030	M4 X .7 X 30MM Pan Slot
50M040070N035	M4 X .7 X 35MM Pan Slot
50M040070N040	M4 X .7 X 40MM Pan Slot
50M050080N006	M5 X .8 X 6MM Pan Slot
50M050080N008	M5 X .8 X 8MM Pan Slot
50M050080N010	M5 X .8 X 10MM Pan Slot
50M050080N012	M5 X .8 X 12MM Pan Slot
50M050080N015	M5 X .8 X 15MM Pan Slot
50M050080N016	M5 X .8 X 16MM Pan Slot
50M050080N020	M5 X .8 X 20MM Pan Slot
50M050080N025	M5 X .8 X 25MM Pan Slot
50M050080N030	M5 X .8 X 30MM Pan Slot
50M050080N035	M5 X .8 X 35MM Pan Slot
50M050080N040	M5 X .8 X 40MM Pan Slot
50M060100N005	M6 X 1.00 X 5MM Pan Slot
50M060100N008	M6 X 1.00 X 8MM Pan Slot
50M060100N010	M6 X 1.00 X 10MM Pan Slot
50M060100N012	M6 X 1.00 X 12MM Pan Slot
50M060100N016	M6 X 1.00 X 16MM Pan Slot
50M060100N020	M6 X 1.00 X 20MM Pan Slot
50M060100N022	M6 X 1.00 X 22MM Pan Slot
50M060100N025	M6 X 1.00 X 25MM Pan Slot
50M060100N030	M6 X 1.00 X 30MM Pan Slot
50M060100N035	M6 X 1.00 X 35MM Pan Slot
50M060100N040	M6 X 1.00 X 40MM Pan Slot
50M060100N045	M6 X 1.00 X 45MM Pan Slot
50M060100N050	M6 X 1.00 X 50MM Pan Slot
50M060100N060	M6 X 1.00 X 60MM Pan Slot
50M060100N070	M6 X 1.00 X 70MM Pan Slot
50M060100N075	M6 X 1.00 X 75MM Pan Slot
50M080125N010	M8 X 1.25 X 10MM Pan Slot
50M080125N016	M8 X 1.25 X 16MM Pan Slot
50M080125N020	M8 X 1.25 X 20MM Pan Slot
50M080125N025	M8 X 1.25 X 25MM Pan Slot
50M080125N030	M8 X 1.25 X 30MM Pan Slot
50M080125N035	M8 X 1.25 X 35MM Pan Slot
50M080125N050	M8 X 1.25 X 50MM Pan Slot
50M080125N070	M8 X 1.25 X 70MM Pan Slot
50M100150N013	M10 X 1.50 X 13MM Pan Slot
50M100150N016	M10 X 1.50 X 16MM Pan Slot
50M100150N019	M10 X 1.50 X 19MM Pan Slot
50M100150N020	M10 X 1.50 X 20MM Pan Slot
50M100150N025	M10 X 1.50 X 25MM Pan Slot
50M100150N030	M10 X 1.50 X 30MM Pan Slot
50M100150N035	M10 X 1.50 X 35MM Pan Slot
50M100150N050	M10 X 1.50 X 50MM Pan Slot
50M100150N060	M10 X 1.50 X 60MM Pan Slot

PAN SLOTTED
Molded in **Natural Nylon 6/6**



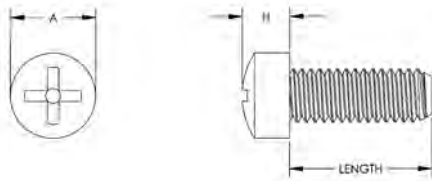
THREAD SIZE	A	H	J	T
M2	3.7 - 4.0	1.1 - 1.3	0.5 - 0.7	0.5 min.
M2.5	4.7 - 5.0	1.3 - 1.5	0.6 - 0.8	0.6 min.
M3	5.3 - 5.6	1.6 - 1.8	0.8 - 1.0	0.7 min.
M3.5	6.6 - 7.0	1.9 - 2.1	1.0 - 1.2	0.8 min.
M4	7.6 - 8.0	2.2 - 2.4	1.2 - 1.5	1.0 min.
M5	9.1 - 9.5	2.7 - 3.0	1.2 - 1.5	1.2 min.
M6	11.5 - 12.0	3.3 - 3.6	1.6 - 1.9	1.4 min.
M8	15.5 - 16.0	4.5 - 4.8	2.0 - 2.3	1.9 min.
M10	19.4 - 20.0	5.7 - 6.0	2.5 - 2.8	2.4 min.



METRIC SCREWS, BOLTS & THREADED ROD

SECTION
XII

ALL DIMENSIONS ARE IN MILLIMETERS



FILLISTER PHILLIPS

Molded in **Natural Nylon 6/6**



THREAD SIZE	A	H
M2 X 0.4	3.8	1.60
M2.5 X 0.45	5.0	2.00
M3 X 0.5	6.0	2.40
M3.5 X 0.6	7.0	2.70
M4 X 0.7	8.0	3.10
M5 X 0.8	9.45	3.80
M6 X 1.0	12.0	4.60
M8 X 1.25	16.0	6.00
M10 X 1.5	18.0	7.00

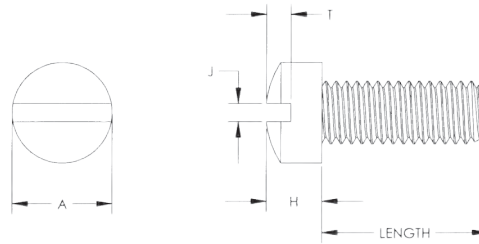
ITEM NUMBER	DESCRIPTION	ITEM NUMBER	DESCRIPTION
50M020040G004	M2 X .4 X 4MM Fill Phil	50M040070G025	M4 X .7 X 25MM Fill Phil
50M020040G005	M2 X .4 X 5MM Fill Phil	50M040070G030	M4 X .7 X 30MM Fill Phil
50M020040G006	M2 X .4 X 6MM Fill Phil	50M040070G035	M4 X .7 X 35MM Fill Phil
50M020040G008	M2 X .4 X 8MM Fill Phil	50M040070G040	M4 X .7 X 40MM Fill Phil
50M020040G010	M2 X .4 X 10MM Fill Phil	50M050080G006	M5 X .8 X 6MM Fill Phil
50M020040G012	M2 X .4 X 12MM Fill Phil	50M050080G008	M5 X .8 X 8MM Fill Phil
50M020040G016	M2 X .4 X 16MM Fill Phil	50M050080G010	M5 X .8 X 10MM Fill Phil
50M020040G020	M2 X .4 X 20MM Fill Phil	50M050080G012	M5 X .8 X 12MM Fill Phil
50M020040G025	M2 X .4 X 25MM Fill Phil	50M050080G015	M5 X .8 X 15MM Fill Phil
50M025045G004	M2.5 X .45 X 4MM Fill Phil	50M050080G016	M5 X .8 X 16MM Fill Phil
50M025045G005	M2.5 X .45 X 5MM Fill Phil	50M050080G020	M5 X .8 X 20MM Fill Phil
50M025045G006	M2.5 X .45 X 6MM Fill Phil	50M050080G025	M5 X .8 X 25MM Fill Phil
50M025045G008	M2.5 X .45 X 8MM Fill Phil	50M050080G030	M5 X .8 X 30MM Fill Phil
50M025045G010	M2.5 X .45 X 10MM Fill Phil	50M050080G035	M5 X .8 X 35MM Fill Phil
50M025045G012	M2.5 X .45 X 12MM Fill Phil	50M050080G040	M5 X .8 X 40MM Fill Phil
50M025045G016	M2.5 X .45 X 16MM Fill Phil	50M060100G005	M6 X 1.0 X 5MM Fill Phil
50M025045G020	M2.5 X .45 X 20MM Fill Phil	50M060100G008	M6 X 1.00 X 8MM Fill Phil
50M025045G025	M2.5 X .45 X 25MM Fill Phil	50M060100G010	M6 X 1.00 X 10MM Fill Phil
50M030050G004	M3 X .5 X 4MM Fill Phil	50M060100G012	M6 X 1.00 X 12MM Fill Phil
50M030050G005	M3 X .5 X 5MM Fill Phil	50M060100G016	M6 X 1.00 X 16MM Fill Phil
50M030050G006	M3 X .5 X 6MM Fill Phil	50M060100G020	M6 X 1.00 X 20MM Fill Phil
50M030050G008	M3 X .5 X 8MM Fill Phil	50M060100G022	M6 X 1.00 X 22MM Fill Phil
50M030050G010	M3 X .5 X 10MM Fill Phil	50M060100G025	M6 X 1.00 X 25MM Fill Phil
50M030050G012	M3 X .5 X 12MM Fill Phil	50M060100G030	M6 X 1.00 X 30MM Fill Phil
50M030050G016	M3 X .5 X 16MM Fill Phil	50M060100G035	M6 X 1.00 X 35MM Fill Phil
50M030050G020	M3 X .5 X 20MM Fill Phil	50M060100G040	M6 X 1.00 X 40MM Fill Phil
50M030050G025	M3 X .5 X 25MM Fill Phil	50M060100G045	M6 X 1.00 X 45MM Fill Phil
50M030050G030	M3 X .5 X 30MM Fill Phil	50M060100G050	M6 X 1.00 X 50MM Fill Phil
50M030050G035	M3 X .5 X 35MM Fill Phil	50M060100G060	M6 X 1.00 X 60MM Fill Phil
50M030050G042	M3 X .5 X 42MM Fill Phil	50M060100G070	M6 X 1.00 X 70MM Fill Phil
50M035060G005	M3.5 X .6 X 5MM Fill Phil	50M060100G075	M6 X 1.00 X 75MM Fill Phil
50M035060G006	M3.5 X .6 X 6MM Fill Phil	50M080125G010	M8 X 1.25 X 10MM Fill Phil
50M035060G007	M3.5 X .6 X 7MM Fill Phil	50M080125G016	M8 X 1.25 X 16MM Fill Phil
50M035060G008	M3.5 X .6 X 8MM Fill Phil	50M080125G020	M8 X 1.25 X 20MM Fill Phil
50M035060G010	M3.5 X .6 X 10MM Fill Phil	50M080125G025	M8 X 1.25 X 25MM Fill Phil
50M035060G012	M3.5 X .6 X 12MM Fill Phil	50M080125G030	M8 X 1.25 X 30MM Fill Phil
50M035060G016	M3.5 X .6 X 16MM Fill Phil	50M080125G035	M8 X 1.25 X 35MM Fill Phil
50M035060G020	M3.5 X .6 X 20MM Fill Phil	50M080125G050	M8 X 1.25 X 50MM Fill Phil
50M035060G025	M3.5 X .6 X 25MM Fill Phil	50M080125G070	M8 X 1.25 X 70MM Fill Phil
50M035060G035	M3.5 X .6 X 35MM Fill Phil	50M100150G013	M10 X 1.50 X 13MM Fill Phil
50M035060G042	M3.5 X .6 X 42MM Fill Phil	50M100150G016	M10 X 1.50 X 16MM Fill Phil
50M040070G003	M4 X .7 X 3MM Fill Phil	50M100150G019	M10 X 1.50 X 19MM Fill Phil
50M040070G006	M4 X .7 X 6MM Fill Phil	50M100150G020	M10 X 1.50 X 20MM Fill Phil
50M040070G008	M4 X .7 X 8MM Fill Phil	50M100150G025	M10 X 1.50 X 25MM Fill Phil
50M040070G010	M4 X .7 X 10MM Fill Phil	50M100150G030	M10 X 1.50 X 30MM Fill Phil
50M040070G012	M4 X .7 X 12MM Fill Phil	50M100150G035	M10 X 1.50 X 35MM Fill Phil
50M040070G016	M4 X .7 X 16MM Fill Phil	50M100150G050	M10 X 1.50 X 50MM Fill Phil
50M040070G020	M4 X .7 X 20MM Fill Phil	50M100150G060	M10 X 1.50 X 60MM Fill Phil



METRIC SCREWS, BOLTS & THREADED ROD

ALL DIMENSIONS ARE IN MILLIMETERS

SECTION
XII



ITEM NUMBER	-----	DESCRIPTION	----
50M020040F004	M2	X .4	X 4MM Fill Slot
50M020040F005	M2	X .4	X 5MM Fill Slot
50M020040F006	M2	X .4	X 6MM Fill Slot
50M020040F008	M2	X .4	X 8MM Fill Slot
50M020040F010	M2	X .4	X 10MM Fill Slot
50M020040F012	M2	X .4	X 12MM Fill Slot
50M020040F016	M2	X .4	X 16MM Fill Slot
50M020040F020	M2	X .4	X 20MM Fill Slot
50M020040F025	M2	X .4	X 25MM Fill Slot
50M025045F004	M2.5	X .45	X 4MM Fill Slot
50M025045F005	M2.5	X .45	X 5MM Fill Slot
50M025045F006	M2.5	X .45	X 6MM Fill Slot
50M025045F008	M2.5	X .45	X 8MM Fill Slot
50M025045F010	M2.5	X .45	X 10MM Fill Slot
50M025045F012	M2.5	X .45	X 12MM Fill Slot
50M025045F016	M2.5	X .45	X 16MM Fill Slot
50M025045F020	M2.5	X .45	X 20MM Fill Slot
50M025045F025	M2.5	X .45	X 25MM Fill Slot
50M030050F004	M3	X .5	X 4MM Fill Slot
50M030050F005	M3	X .5	X 5MM Fill Slot
50M030050F006	M3	X .5	X 6MM Fill Slot
50M030050F008	M3	X .5	X 8MM Fill Slot
50M030050F010	M3	X .5	X 10MM Fill Slot
50M030050F012	M3	X .5	X 12MM Fill Slot
50M030050F016	M3	X .5	X 16MM Fill Slot
50M030050F020	M3	X .5	X 20MM Fill Slot
50M030050F025	M3	X .5	X 25MM Fill Slot
50M030050F030	M3	X .5	X 30MM Fill Slot
50M030050F035	M3	X .5	X 35MM Fill Slot
50M030050F042	M3	X .5	X 42MM Fill Slot
50M035060F005	M3.5	X .6	X 5MM Fill Slot
50M035060F006	M3.5	X .6	X 6MM Fill Slot
50M035060F007	M3.5	X .6	X 7MM Fill Slot
50M035060F008	M3.5	X .6	X 8MM Fill Slot
50M035060F010	M3.5	X .6	X 10MM Fill Slot
50M035060F012	M3.5	X .6	X 12MM Fill Slot
50M035060F016	M3.5	X .6	X 16MM Fill Slot
50M035060F020	M3.5	X .6	X 20MM Fill Slot
50M035060F025	M3.5	X .6	X 25MM Fill Slot
50M035060F035	M3.5	X .6	X 35MM Fill Slot
50M035060F042	M3.5	X .6	X 42MM Fill Slot
50M040070F003	M4	X .7	X 3MM Fill Slot
50M040070F006	M4	X .7	X 6MM Fill Slot
50M040070F008	M4	X .7	X 8MM Fill Slot
50M040070F010	M4	X .7	X 10MM Fill Slot
50M040070F012	M4	X .7	X 12MM Fill Slot
50M040070F016	M4	X .7	X 16MM Fill Slot
50M040070F020	M4	X .7	X 20MM Fill Slot

ITEM NUMBER	-----	DESCRIPTION	----
50M040070F025	M4	X .7	X 25MM Fill Slot
50M040070F030	M4	X .7	X 30MM Fill Slot
50M040070F035	M4	X .7	X 35MM Fill Slot
50M040070F040	M4	X .7	X 40MM Fill Slot
50M050080F006	M5	X .8	X 6MM Fill Slot
50M050080F008	M5	X .8	X 8MM Fill Slot
50M050080F010	M5	X .8	X 10MM Fill Slot
50M050080F012	M5	X .8	X 12MM Fill Slot
50M050080F015	M5	X .8	X 15MM Fill Slot
50M050080F016	M5	X .8	X 16MM Fill Slot
50M050080F020	M5	X .8	X 20MM Fill Slot
50M050080F025	M5	X .8	X 25MM Fill Slot
50M050080F030	M5	X .8	X 30MM Fill Slot
50M050080F035	M5	X .8	X 35MM Fill Slot
50M050080F040	M5	X .8	X 40MM Fill Slot
50M060100F005	M6	X 1.00	X 5MM Fill Slot
50M060100F008	M6	X 1.00	X 8MM Fill Slot
50M060100F010	M6	X 1.00	X 10MM Fill Slot
50M060100F012	M6	X 1.00	X 12MM Fill Slot
50M060100F016	M6	X 1.00	X 16MM Fill Slot
50M060100F020	M6	X 1.00	X 20MM Fill Slot
50M060100F022	M6	X 1.00	X 22MM Fill Slot
50M060100F025	M6	X 1.00	X 25MM Fill Slot
50M060100F030	M6	X 1.00	X 30MM Fill Slot
50M060100F035	M6	X 1.00	X 35MM Fill Slot
50M060100F040	M6	X 1.00	X 40MM Fill Slot
50M060100F045	M6	X 1.00	X 45MM Fill Slot
50M060100F050	M6	X 1.00	X 50MM Fill Slot
50M060100F060	M6	X 1.00	X 60MM Fill Slot
50M060100F070	M6	X 1.00	X 70MM Fill Slot
50M060100F075	M6	X 1.00	X 75MM Fill Slot
50M080125F010	M8	X 1.25	X 10MM Fill Slot
50M080125F016	M8	X 1.25	X 16MM Fill Slot
50M080125F020	M8	X 1.25	X 20MM Fill Slot
50M080125F025	M8	X 1.25	X 25MM Fill Slot
50M080125F030	M8	X 1.25	X 30MM Fill Slot
50M080125F035	M8	X 1.25	X 35MM Fill Slot
50M080125F050	M8	X 1.25	X 50MM Fill Slot
50M080125F070	M8	X 1.25	X 70MM Fill Slot
50M100150F013	M10	X 1.50	X 13MM Fill Slot
50M100150F016	M10	X 1.50	X 16MM Fill Slot
50M100150F019	M10	X 1.50	X 19MM Fill Slot
50M100150F020	M10	X 1.50	X 20MM Fill Slot
50M100150F025	M10	X 1.50	X 25MM Fill Slot
50M100150F030	M10	X 1.50	X 30MM Fill Slot
50M100150F035	M10	X 1.50	X 35MM Fill Slot
50M100150F050	M10	X 1.50	X 50MM Fill Slot
50M100150F060	M10	X 1.50	X 60MM Fill Slot

FILLISTER SLOTTED
Molded in Natural Nylon 6/6



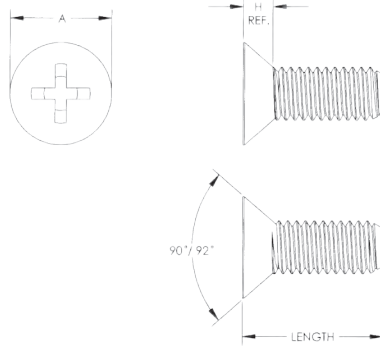
THREAD SIZE	A	H	J	T
M2 X 0.4	3.8	1.60	0.60	0.90
M2.5 X 0.45	5.0	2.00	0.70	1.10
M3 X 0.5	6.0	2.40	1.00	1.30
M3.5 X 0.6	7.0	2.70	1.10	1.40
M4 X 0.7	8.0	3.10	1.20	1.60
M5 X 0.8	9.4	3.80	1.50	2.00
M6 X 1.0	12.0	4.60	1.90	2.30
M8 X 1.25	16.0	6.00	2.30	2.80
M10 X 1.5	20.0	7.50	2.80	3.20



METRIC SCREWS, BOLTS & THREADED ROD

SECTION
XII

ALL DIMENSIONS ARE IN MILLIMETERS



THREAD SIZE	A	* H
M2 X 0.4	3.5 - 4.4	1.2 max ref.
M2.5 X 0.45	4.4 - 5.5	1.5 max ref.
M3 X 0.5	5.2 - 6.3	1.7 max ref.
M3.5 X 0.6	6.9 - 8.2	2.3 max ref.
M4 X 0.7	8.0 - 9.4	2.7 max ref.
M5 X 0.8	8.9 - 10.4	2.7 max ref.
M6 X 1	10.9 - 12.6	3.3 max ref.
M8 X 1.25	15.4 - 17.3	4.6 max ref.
M10 X 1.5	17.8 - 20.0	5.0 max ref.

* H Dimension is a reference dimension only.

FLAT PHILLIPS

Molded in **Natural Nylon 6/6**

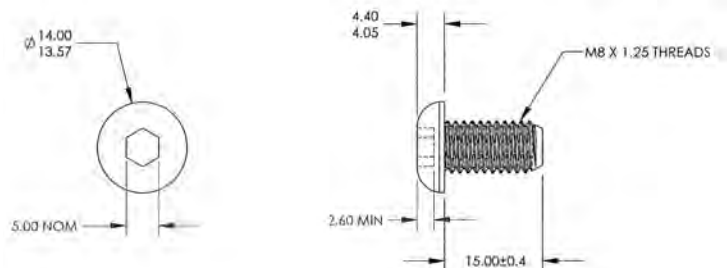


ITEM NUMBER	DESCRIPTION
50M0250451004	M2.5 X .45 X 4MM Flat Phil
50M0250451005	M2.5 X .45 X 5MM Flat Phil
50M0250451006	M2.5 X .45 X 6MM Flat Phil
50M0250451008	M2.5 X .45 X 8MM Flat Phil
50M0250451010	M2.5 X .45 X 10MM Flat Phil
50M0250451012	M2.5 X .45 X 12MM Flat Phil
50M0250451016	M2.5 X .45 X 16MM Flat Phil
50M0250451020	M2.5 X .45 X 20MM Flat Phil
50M0250451025	M2.5 X .45 X 25MM Flat Phil
50M0300501005	M3 X .5 X 5MM Flat Phil
50M0300501006	M3 X .5 X 6MM Flat Phil
50M0300501008	M3 X .5 X 8MM Flat Phil
50M0300501010	M3 X .5 X 10MM Flat Phil
50M0300501012	M3 X .5 X 12MM Flat Phil
50M0300501016	M3 X .5 X 16MM Flat Phil
50M0300501020	M3 X .5 X 20MM Flat Phil
50M0300501025	M3 X .5 X 25MM Flat Phil
50M0350601005	M3.5 X .6 X 5MM Flat Phil
50M0350601006	M3.5 X .6 X 6MM Flat Phil
50M0350601008	M3.5 X .6 X 8MM Flat Phil
50M0350601010	M3.5 X .6 X 10MM Flat Phil
50M0350601012	M3.5 X .6 X 12MM Flat Phil
50M0350601016	M3.5 X .6 X 16MM Flat Phil
50M0350601020	M3.5 X .6 X 20MM Flat Phil
50M0350601025	M3.5 X .6 X 25MM Flat Phil
50M0350601035	M3.5 X .6 X 35MM Flat Phil
50M0400701006	M4 X .7 X 6MM Flat Phil
50M0400701008	M4 X .7 X 8MM Flat Phil
50M0400701010	M4 X .7 X 10MM Flat Phil
50M0400701012	M4 X .7 X 12MM Flat Phil

ITEM NUMBER	DESCRIPTION
50M0400701016	M4 X .7 X 16MM Flat Phil
50M0400701020	M4 X .7 X 20MM Flat Phil
50M0400701025	M4 X .7 X 25MM Flat Phil
50M0500801006	M5 X .8 X 6MM Flat Phil
50M0500801008	M5 X .8 X 8MM Flat Phil
50M0500801010	M5 X .8 X 10MM Flat Phil
50M0500801012	M5 X .8 X 12MM Flat Phil
50M0500801016	M5 X .8 X 16MM Flat Phil
50M0500801020	M5 X .8 X 20MM Flat Phil
50M0500801025	M5 X .8 X 25MM Flat Phil
50M0500801030	M5 X .8 X 30MM Flat Phil
50M0500801040	M5 X .8 X 40MM Flat Phil
50M0601001008	M6 X 1.00 X 8MM Flat Phil
50M0601001010	M6 X 1.00 X 10MM Flat Phil
50M0601001012	M6 X 1.00 X 12MM Flat Phil
50M0601001016	M6 X 1.00 X 16MM Flat Phil
50M0601001020	M6 X 1.00 X 20MM Flat Phil
50M0601001025	M6 X 1.00 X 25MM Flat Phil
50M0601001035	M6 X 1.00 X 35MM Flat Phil
50M0601001045	M6 X 1.00 X 45MM Flat Phil
50M0801251010	M8 X 1.25 X 10MM Flat Phil
50M0801251016	M8 X 1.25 X 16MM Flat Phil
50M0801251020	M8 X 1.25 X 20MM Flat Phil
50M0801251025	M8 X 1.25 X 25MM Flat Phil
50M0801251030	M8 X 1.25 X 30MM Flat Phil
50M0801251050	M8 X 1.25 X 50MM Flat Phil
50M1001501020	M10 X 1.50 X 20MM Flat Phil
50M1001501025	M10 X 1.50 X 25MM Flat Phil
50M1001501035	M10 X 1.50 X 35MM Flat Phil

Metric Button Head Socket Cap Screw

Molded in **Natural Nylon 6/6**



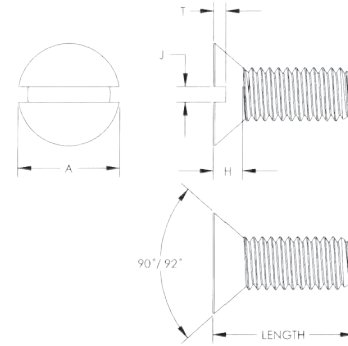
ITEM NUMBER
50M080125BH015

METRIC SCREWS, BOLTS & THREADED ROD

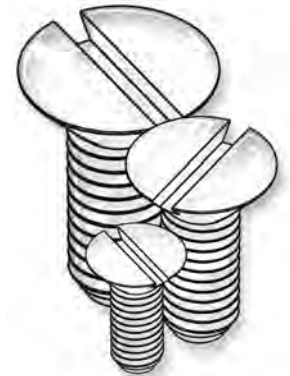
ALL DIMENSIONS ARE IN MILLIMETERS

SECTION
XII

THREAD SIZE	A	H	J	T
M2 X 0.4	3.5 - 4.4	1.2 max ref.	0.5 - 0.7	0.4 - 0.6
M2.5 X 0.45	4.4 - 5.5	1.5 max ref.	0.6 - 0.8	0.5 - 0.7
M3 X 0.5	5.2 - 6.3	1.7 max ref.	0.8 - 1.0	0.6 - 0.9
M3.5 X 0.6	6.9 - 8.2	2.3 max ref.	1.0 - 1.2	0.9 - 1.2
M4 X 0.7	8.0 - 9.4	2.7 max ref.	1.2 - 1.5	1.0 - 1.3
M5 X 0.8	8.9 - 10.4	2.7 max ref.	1.2 - 1.5	1.1 - 1.4
M6 X 1	10.9 - 12.6	3.3 max ref.	1.6 - 1.9	1.2 - 1.6
M8 X 1.25	15.4 - 17.3	4.6 max ref.	2.0 - 2.3	1.8 - 2.3
M10 X 1.5	17.8 - 20.0	5.0 max ref.	2.5 - 2.8	2.0 - 2.6



FLAT SLOTTED
Molded in Natural Nylon 6/6



ITEM NUMBER	DESCRIPTION
50M020040H004	M2 X .4 X 4MM Flat Slot
50M020040H005	M2 X .4 X 5MM Flat Slot
50M020040H006	M2 X .4 X 6MM Flat Slot
50M020040H008	M2 X .4 X 8MM Flat Slot
50M020040H010	M2 X .4 X 10MM Flat Slot
50M020040H011	M2 X .4 X 11MM Flat Slot
50M020040H012	M2 X .4 X 12MM Flat Slot
50M020040H016	M2 X .4 X 16MM Flat Slot
50M020040H025	M2 X .4 X 25MM Flat Slot
50M025045H004	M2.5 X .45 X 4MM Flat Slot
50M025045H005	M2.5 X .45 X 5MM Flat Slot
50M025045H006	M2.5 X .45 X 6MM Flat Slot
50M025045H008	M2.5 X .45 X 8MM Flat Slot
50M025045H010	M2.5 X .45 X 10MM Flat Slot
50M025045H012	M2.5 X .45 X 12MM Flat Slot
50M025045H016	M2.5 X .45 X 16MM Flat Slot
50M025045H020	M2.5 X .45 X 20MM Flat Slot
50M025045H025	M2.5 X .45 X 25MM Flat Slot
50M030050H005	M3 X .5 X 5MM Flat Slot
50M030050H006	M3 X .5 X 6MM Flat Slot
50M030050H008	M3 X .5 X 8MM Flat Slot
50M030050H010	M3 X .5 X 10MM Flat Slot
50M030050H012	M3 X .5 X 12MM Flat Slot
50M030050H015	M3 X .5 X 15MM Flat Slot
50M030050H016	M3 X .5 X 16MM Flat Slot
50M030050H020	M3 X .5 X 20MM Flat Slot
50M030050H025	M3 X .5 X 25MM Flat Slot
50M030050H030	M3 X .5 X 30MM Flat Slot
50M030050H042	M3 X .5 X 42MM Flat Slot
50M035060H005	M3.5 X .6 X 5MM Flat Slot
50M035060H006	M3.5 X .6 X 6MM Flat Slot
50M035060H008	M3.5 X .6 X 8MM Flat Slot
50M035060H010	M3.5 X .6 X 10MM Flat Slot
50M035060H016	M3.5 X .6 X 16MM Flat Slot
50M035060H025	M3.5 X .6 X 25MM Flat Slot
50M035060H035	M3.5 X .6 X 35MM Flat Slot
50M040070H006	M4 X .7 X 6MM Flat Slot
50M040070H008	M4 X .7 X 8MM Flat Slot

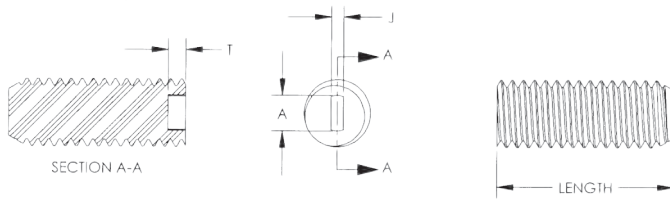
ITEM NUMBER	DESCRIPTION
50M040070H010	M4 X .7 X 10MM Flat Slot
50M040070H012	M4 X .7 X 12MM Flat Slot
50M040070H015	M4 X .7 X 15MM Flat Slot
50M040070H016	M4 X .7 X 16MM Flat Slot
50M040070H020	M4 X .7 X 20MM Flat Slot
50M040070H025	M4 X .7 X 25MM Flat Slot
50M040070H030	M4 X .7 X 30MM Flat Slot
50M040070H035	M4 X .7 X 35MM Flat Slot
50M050080H006	M5 X .8 X 6MM Flat Slot
50M050080H008	M5 X .8 X 8MM Flat Slot
50M050080H010	M5 X .8 X 10MM Flat Slot
50M050080H012	M5 X .8 X 12MM Flat Slot
50M050080H015	M5 X .8 X 15MM Flat Slot
50M050080H016	M5 X .8 X 16MM Flat Slot
50M050080H020	M5 X .8 X 20MM Flat Slot
50M050080H025	M5 X .8 X 25MM Flat Slot
50M050080H030	M5 X .8 X 30MM Flat Slot
50M050080H040	M5 X .8 X 40MM Flat Slot
50M060100H008	M6 X 1.00 X 8MM Flat Slot
50M060100H010	M6 X 1.00 X 10MM Flat Slot
50M060100H012	M6 X 1.00 X 12MM Flat Slot
50M060100H016	M6 X 1.00 X 16MM Flat Slot
50M060100H020	M6 X 1.00 X 20MM Flat Slot
50M060100H025	M6 X 1.00 X 25MM Flat Slot
50M060100H035	M6 X 1.00 X 35MM Flat Slot
50M060100H040	M6 X 1.00 X 40MM Flat Slot
50M060100H045	M6 X 1.00 X 45MM Flat Slot
50M060100H050	M6 X 1.00 X 50MM Flat Slot
50M080125H016	M8 X 1.25 X 16MM Flat Slot
50M080125H020	M8 X 1.25 X 20MM Flat Slot
50M080125H025	M8 X 1.25 X 25MM Flat Slot
50M080125H030	M8 X 1.25 X 30MM Flat Slot
50M080125H050	M8 X 1.25 X 50MM Flat Slot
50M100150H020	M10 X 1.50 X 20MM Flat Slot
50M100150H025	M10 X 1.50 X 25MM Flat Slot
50M100150H030	M10 X 1.50 X 30MM Flat Slot
50M100150H035	M10 X 1.50 X 35MM Flat Slot
50M100150H060	M10 X 1.50 X 60MM Flat Slot



METRIC SCREWS, BOLTS & THREADED ROD

SECTION XII

ALL DIMENSIONS ARE IN MILLIMETERS



GRUB SLOTTED

Molded in **Natural Nylon 6/6**



THREAD SIZE	A	J	T
M4 X 0.7	2.0	.64	.76
M5 X 0.8	3.3	.89	1.3
M6 X 1.0	4.1	1.0	1.5
M8 X 1.25	5.1	1.6	2.2
M10 X 1.5	6.6	1.5	2.5

ITEM NUMBER ----- DESCRIPTION -----

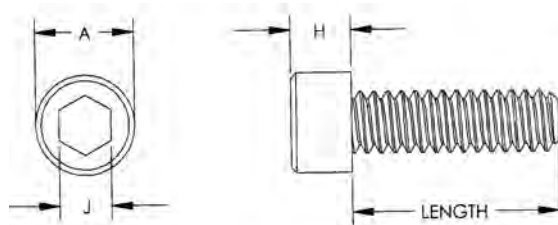
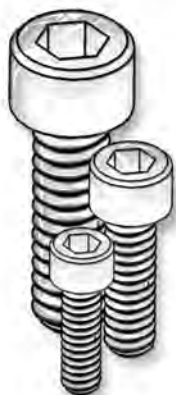
50M040070R003	M4 X .7	X	3MM	Grub Slot
50M040070R004	M4 X .7	X	4MM	Grub Slot
50M040070R006	M4 X .7	X	6MM	Grub Slot
50M040070R008	M4 X .7	X	8MM	Grub Slot
50M040070R010	M4 X .7	X	10MM	Grub Slot
50M040070R012	M4 X .7	X	12MM	Grub Slot
50M040070R016	M4 X .7	X	16MM	Grub Slot
50M040070R020	M4 X .7	X	20MM	Grub Slot
50M040070R025	M4 X .7	X	25MM	Grub Slot
50M040070R030	M4 X .7	X	30MM	Grub Slot
50M040070R035	M4 X .7	X	35MM	Grub Slot
50M040070R040	M4 X .7	X	40MM	Grub Slot
50M050080R006	M5 X .8	X	6MM	Grub Slot
50M050080R008	M5 X .8	X	8MM	Grub Slot
50M050080R010	M5 X .8	X	10MM	Grub Slot
50M050080R012	M5 X .8	X	12MM	Grub Slot
50M050080R013	M5 X .8	X	13MM	Grub Slot
50M050080R016	M5 X .8	X	16MM	Grub Slot
50M050080R020	M5 X .8	X	20MM	Grub Slot
50M050080R025	M5 X .8	X	25MM	Grub Slot
50M050080R030	M5 X .8	X	30MM	Grub Slot
50M050080R040	M5 X .8	X	40MM	Grub Slot
50M060100R005	M6 X 1.00	X	5MM	Grub Slot
50M060100R008	M6 X 1.00	X	8MM	Grub Slot
50M060100R010	M6 X 1.00	X	10MM	Grub Slot
50M060100R012	M6 X 1.00	X	12MM	Grub Slot
50M060100R016	M6 X 1.00	X	16MM	Grub Slot

ITEM NUMBER ----- DESCRIPTION -----

50M060100R020	M6 X 1.00	X	20MM	Grub Slot
50M060100R022	M6 X 1.00	X	22MM	Grub Slot
50M060100R025	M6 X 1.00	X	25MM	Grub Slot
50M060100R030	M6 X 1.00	X	30MM	Grub Slot
50M060100R035	M6 X 1.00	X	35MM	Grub Slot
50M060100R045	M6 X 1.00	X	45MM	Grub Slot
50M060100R050	M6 X 1.00	X	50MM	Grub Slot
50M060100R060	M6 X 1.00	X	60MM	Grub Slot
50M060100R070	M6 X 1.00	X	70MM	Grub Slot
50M060100R075	M6 X 1.00	X	75MM	Grub Slot
50M080125R008	M8 X 1.25	X	8MM	Grub Slot
50M080125R010	M8 X 1.25	X	10MM	Grub Slot
50M080125R016	M8 X 1.25	X	16MM	Grub Slot
50M080125R020	M8 X 1.25	X	20MM	Grub Slot
50M080125R025	M8 X 1.25	X	25MM	Grub Slot
50M080125R030	M8 X 1.25	X	30MM	Grub Slot
50M080125R035	M8 X 1.25	X	35MM	Grub Slot
50M080125R050	M8 X 1.25	X	50MM	Grub Slot
50M100150R010	M10 X 1.50	X	10MM	Grub Slot
50M100150R013	M10 X 1.50	X	13MM	Grub Slot
50M100150R016	M10 X 1.50	X	16MM	Grub Slot
50M100150R019	M10 X 1.50	X	19MM	Grub Slot
50M100150R020	M10 X 1.50	X	20MM	Grub Slot
50M100150R025	M10 X 1.50	X	25MM	Grub Slot
50M100150R030	M10 X 1.50	X	30MM	Grub Slot
50M100150R035	M10 X 1.50	X	35MM	Grub Slot
50M100150R050	M10 X 1.50	X	50MM	Grub Slot
50M100150R060	M10 X 1.50	X	60MM	Grub Slot

HEX SOCKET HEAD CAP SCREW

Molded in **Natural Nylon 6/6**



THREAD SIZE	A	H	J	HEX DEPTH
M 10	15.67 - 16.00	9.81 - 10.00	8.0 nom.	5.00 min.

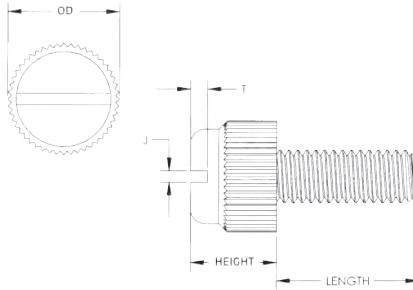
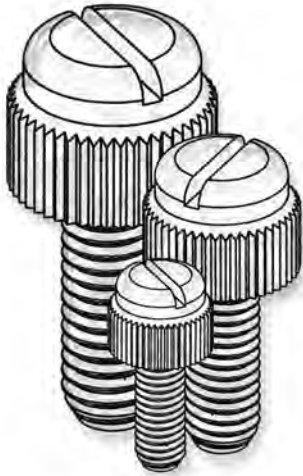
ITEM NUMBER ----- DESCRIPTION -----

50M100150S013	M10 X 1.50	X	13MM	Hex Soc
50M100150S016	M10 X 1.50	X	16MM	Hex Soc
50M100150S019	M10 X 1.50	X	19MM	Hex Soc
50M100150S020	M10 X 1.50	X	20MM	Hex Soc
50M100150S025	M10 X 1.50	X	25MM	Hex Soc
50M100150S030	M10 X 1.50	X	30MM	Hex Soc
50M100150S035	M10 X 1.50	X	35MM	Hex Soc
50M100150S050	M10 X 1.50	X	50MM	Hex Soc
50M100150S060	M10 X 1.50	X	60MM	Hex Soc

METRIC SCREWS, BOLTS & THREADED ROD

ALL DIMENSIONS ARE IN MILLIMETERS

SECTION
XII



THREAD SIZE	HT.	OD	J	T
M3 X .5	5.48	8.05	.94	1.01
M3.5 X .6	6.1	8.5	.88	1.2
M4 X .7	7.1	9.70	.90	1.15
M5 X .8	7.75	10.04	1.02	1.64
M6 X 1.0	7.75	12.21	1.14	1.95

ECONOMY GRADE THUMB SCREW

Molded in Natural Nylon 6/6

ITEM NUMBER	----- DESCRIPTION -----	ITEM NUMBER	----- DESCRIPTION -----
50M030050T004	M3 X .5 X 4MM Thumb Screw	50M040070T020	M4 X .7 X 20MM Thumb Screw
50M030050T005	M3 X .5 X 5MM Thumb Screw	50M040070T025	M4 X .7 X 25MM Thumb Screw
50M030050T006	M3 X .5 X 6MM Thumb Screw	50M040070T030	M4 X .7 X 30MM Thumb Screw
50M030050T008	M3 X .5 X 8MM Thumb Screw	50M040070T035	M4 X .7 X 35MM Thumb Screw
50M030050T010	M3 X .5 X 10MM Thumb Screw	50M040070T040	M4 X .7 X 40MM Thumb Screw
50M030050T012	M3 X .5 X 12MM Thumb Screw	50M050080T006	M5 X .8 X 6MM Thumb Screw
50M030050T016	M3 X .5 X 16MM Thumb Screw	50M050080T008	M5 X .8 X 8MM Thumb Screw
50M030050T020	M3 X .5 X 20MM Thumb Screw	50M050080T010	M5 X .8 X 10MM Thumb Screw
50M030050T025	M3 X .5 X 25MM Thumb Screw	50M050080T012	M5 X .8 X 12MM Thumb Screw
50M030050T030	M3 X .5 X 30MM Thumb Screw	50M050080T016	M5 X .8 X 16MM Thumb Screw
50M030050T035	M3 X .5 X 35MM Thumb Screw	50M050080T020	M5 X .8 X 20MM Thumb Screw
50M030050T042	M3 X .5 X 42MM Thumb Screw	50M050080T025	M5 X .8 X 25MM Thumb Screw
50M035060T005	M3.5 X .6 X 5MM Thumb Screw	50M050080T030	M5 X .8 X 30MM Thumb Screw
50M035060T006	M3.5 X .6 X 6MM Thumb Screw	50M050080T040	M5 X .8 X 40MM Thumb Screw
50M035060T008	M3.5 X .6 X 8MM Thumb Screw	50M060100T005	M6 X 1.00 X 5MM Thumb Screw
50M035060T010	M3.5 X .6 X 10MM Thumb Screw	50M060100T008	M6 X 1.00 X 8MM Thumb Screw
50M035060T012	M3.5 X .6 X 12MM Thumb Screw	50M060100T010	M6 X 1.00 X 10MM Thumb Screw
50M035060T016	M3.5 X .6 X 16MM Thumb Screw	50M060100T012	M6 X 1.00 X 12MM Thumb Screw
50M035060T020	M3.5 X .6 X 20MM Thumb Screw	50M060100T016	M6 X 1.00 X 16MM Thumb Screw
50M035060T025	M3.5 X .6 X 25MM Thumb Screw	50M060100T020	M6 X 1.00 X 20MM Thumb Screw
50M035060T035	M3.5 X .6 X 35MM Thumb Screw	50M060100T022	M6 X 1.00 X 22MM Thumb Screw
50M035060T042	M3.5 X .6 X 42MM Thumb Screw	50M060100T025	M6 X 1.00 X 25MM Thumb Screw
50M040070T003	M4 X .7 X 3MM Thumb Screw	50M060100T035	M6 X 1.00 X 35MM Thumb Screw
50M040070T006	M4 X .7 X 6MM Thumb Screw	50M060100T040	M6 X 1.00 X 40MM Thumb Screw
50M040070T008	M4 X .7 X 8MM Thumb Screw	50M060100T045	M6 X 1.00 X 45MM Thumb Screw
50M040070T010	M4 X .7 X 10MM Thumb Screw	50M060100T050	M6 X 1.00 X 50MM Thumb Screw
50M040070T012	M4 X .7 X 12MM Thumb Screw	50M060100T060	M6 X 1.00 X 60MM Thumb Screw
50M040070T016	M4 X .7 X 16MM Thumb Screw	50M060100T070	M6 X 1.00 X 70MM Thumb Screw
		50M060100T075	M6 X 1.00 X 75MM Thumb Screw

METRIC SCREWS, BOLTS & THREADED ROD

SECTION
XII

ALL DIMENSIONS ARE IN MILLIMETERS

This versatile threaded rod stock is easily cut to size, resistant to most chemicals, electrically insulating, non-magnetic, light-weight, low thermal conductivity, vibration and abrasion resistant. Stock length is 1 meter. We can furnish cut to your length with a nominal cutting charge. Other plastic materials can be furnished on special order.



THREADED ROD

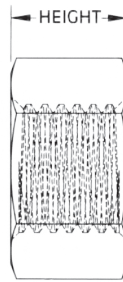
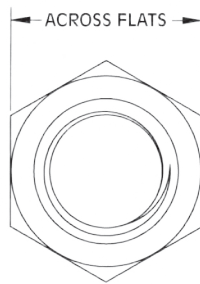
Molded in Natural Nylon 6/6

ITEM NUMBER	SCREW SIZE	THREAD
38M030050TR	M3	.5
38M040070TR	M4	.7
38M050080TR	M5	.8
38M060100TR	M6	1.0
38M080125TR	M8	1.25

METRIC NUTS

SECTION
XIII

ALL DIMENSIONS ARE IN MILLIMETERS



HEX NUTS - DIN 34814

Molded in Natural Nylon 6/6

ITEM NUMBER	SCREW SIZE	THREAD	ACROSS FLATS		HEIGHT	
			MAX.	MIN.	MAX.	MIN.
04M030050HNDIN34814	M3	M3 X 0.5	5.5	5.32	2.4	2.15
04M040070HNDIN34814	M4	M4 X 0.7	7.0	6.78	3.2	2.9
04M050080HNDIN34814	M5	M5 X 0.8	8.0	7.78	4.7	4.4
04M060100HNDIN34814	M6	M6 X 1.0	10	9.78	5.2	4.9
04M080125HNDIN34814	M8	M8 X 1.25	13	12.73	6.8	6.44
04M100150HNDIN34814	M10	M10X1.50	16	15.73	8.4	8.04
04M120175HNDIN34814	M12	M12X1.75	18	17.73	10.8	10.37
04M160200HNDIN34814	M16	M16X2.00	24	23.67	14.8	14.1

METRIC NUTS

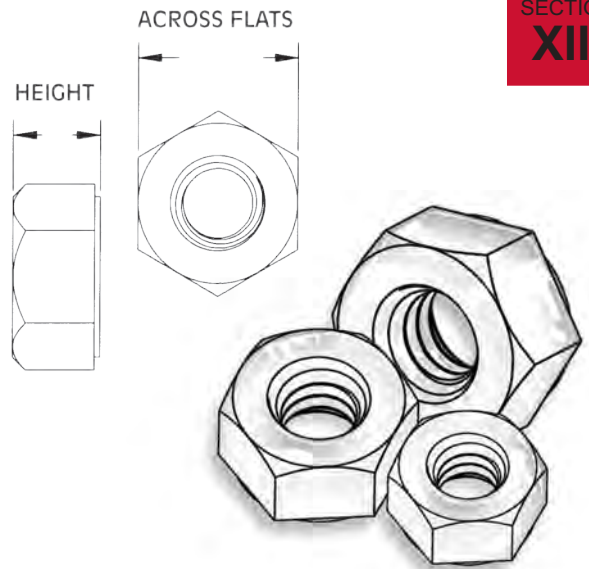
ALL DIMENSIONS ARE IN MILLIMETERS

SECTION
XIII

HEX NUTS

Molded in Natural Nylon 6/6

ITEM NUMBER	SCREW SIZE	THREAD	ACROSS FLATS	HEIGHT
04M020040HN	M2	0.4	3.9	1.2
04M025045HN	M2.5	0.45	4.9	1.8
04M030050HN	M3	0.5	5.4	2.2
04M035060HN	M3.5	0.6	6.9	2.7
04M040070HN	M4	0.7	6.9	3.0
04M050080HN	M5	0.8	7.9	4.3
04M060100HN	M6	1.0	10.0	5.4
04M080125HN	M8	1.25	12.9	6.4
04M100150HN	M10	1.50	14.8	9.8
04M120175HN	M12	1.75	17.74	10.54

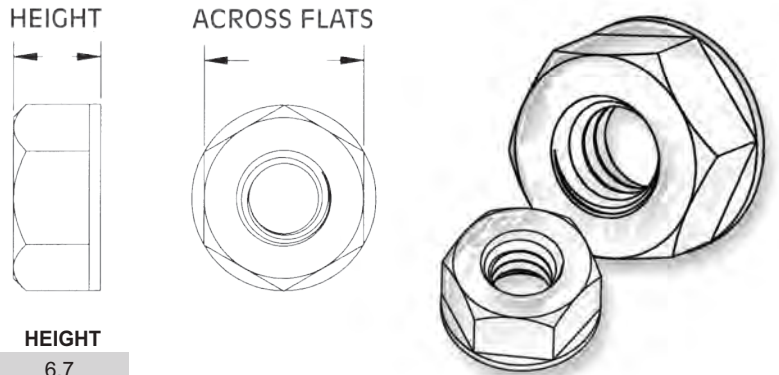


DESIGNED FOR STEEL SCREWS

LOCK NUTS

Molded in Natural Nylon 6/6

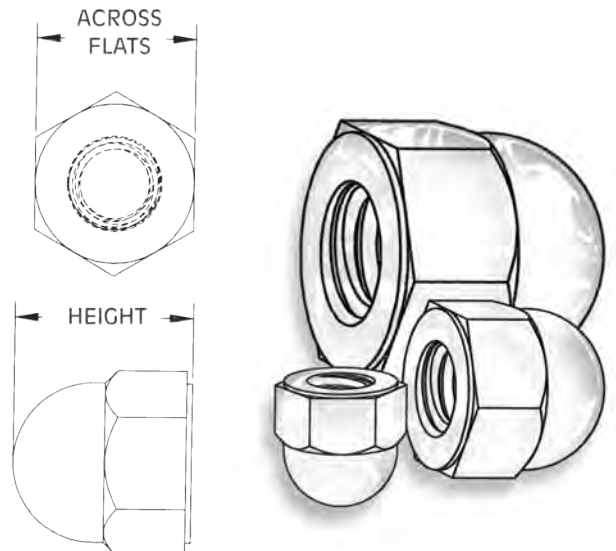
ITEM NUMBER	SCREW SIZE	THREAD	ACROSS FLATS	HEIGHT
07M060100LN	M6	1.0	10.9	6.7



CAP NUTS

Molded in Natural Nylon 6/6

ITEM NUMBER	SCREW SIZE	THREAD	ACROSS FLATS	HEIGHT
05M040070CN	M4	0.7	7.0	8.0
05M050080CN	M5	0.8	8.0	10.0
05M060100CN	M6	1.0	10.0	12.0
05M080125CN	M8	1.25	13.0	15.0
05M100150CN	M10	1.5	17.0	18.0
05M120175CN	M12	1.75	18.9	20.5
05M160200CN	M16	2.0	23.7	24.8
05M200250CN	M20	2.5	26.7	29.1



LOCKING CAP NUTS

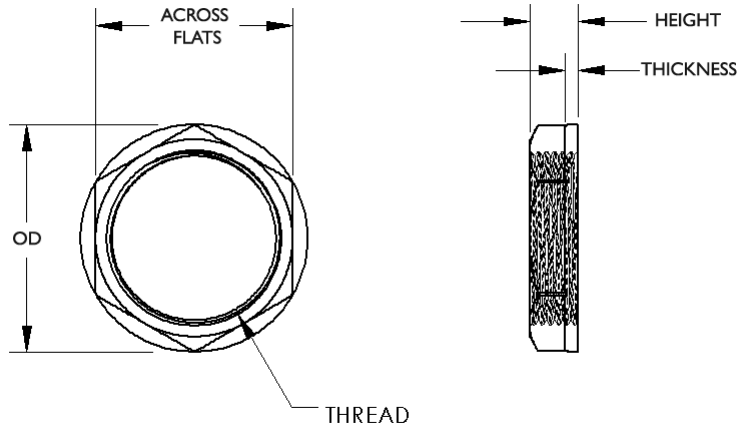
Molded in Natural Nylon 6/6

ITEM NUMBER	SCREW SIZE	THREAD	ACROSS FLATS	HEIGHT
05M040070LCN	M4	0.7	7.0	8.0
05M050080LCN	M5	0.8	8.0	10.0
05M060100LCN	M6	1.0	10.0	12.0

METRIC NUTS

SECTION
XIII

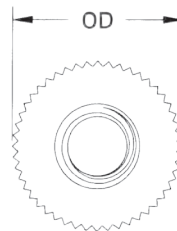
ALL DIMENSIONS ARE IN MILLIMETERS



HEX FLANGE NUTS

Molded in **Natural Nylon 6/6**

ITEM NUMBER	SCREW SIZE	THREAD	OD	ACROSS FLATS	HEIGHT	THICKNESS
04M030050WFHN	M3	.50	6.60	5.50	3.10	0.41
04M040070WFHN	M4	.70	8.80	7.00	3.40	0.76
04M050080WFHN	M5	.80	9.80	7.90	5.20	0.94
04M060100WFHN	M6	1.00	13.00	10.00	6.00	1.02
04M080125WFHN	M8	1.25	17.00	13.00	8.00	1.52
04M100150WFHN	M10	1.50	22.00	16.00	10.00	1.91
04M120175WFHN	M12	1.75	27.00	19.00	14.50	3.05
04M160150WFHN	M16	1.50	22.00	18.92	6.70	2.00
04M160200WFHN	M16	2.00	39.00	24.00	19.50	3.18
04M200150WFHN	M20	1.50	27.00	22.86	8.00	2.38
04M250150WFHN	M25	1.50	32.00	27.94	9.00	2.50
04M320150WFHN	M32	1.50	42.00	36.45	9.02	2.54



THUMB NUTS

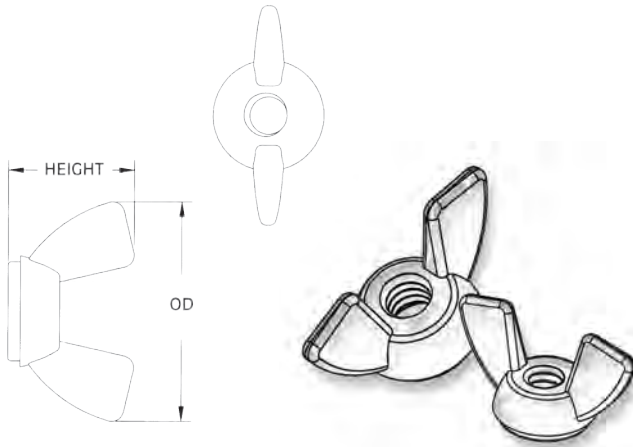
Molded in **Natural Nylon 6/6**

ITEM NUMBER	SCREW SIZE	THREAD	OD	HEIGHT
08M040070TN	M4	0.7	10.8	7.8

METRIC NUTS

ALL DIMENSIONS ARE IN MILLIMETERS

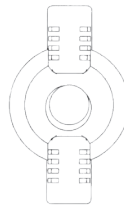
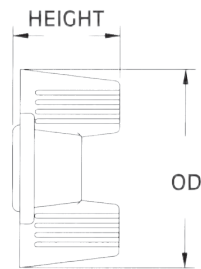
SECTION
XIII



WING NUTS

Molded in Natural Nylon 6/6

ITEM NUMBER	SCREW SIZE	THREAD	OD	HEIGHT
06M040070WN	M4	0.7	22.8	12.2
06M050080WN	M5	0.8	22.8	12.2
06M060100WN	M6	1.0	27.7	16.0
06M080125WN	M8	1.25	34.8	18.3
06M100150WN	M10	1.5	34.8	18.3
06M120175WN	M12	1.7	44.7	22.7



DECO WING NUTS

Molded in Natural Nylon 6/6

ITEM NUMBER	SCREW SIZE	THREAD	OD	HEIGHT
06M040070DWN	M4	0.7	16.0	8.0
06M050080DWN	M5	0.8	22.2	11.1
06M060100DWN	M6	1.0	29.7	13.4



DECO LOCKING WING NUTS

Molded in Natural Nylon 6/6

ITEM NUMBER	SCREW SIZE	THREAD	OD	HEIGHT
06M040070DLWN	M4	0.7	16.0	8.0
06M050080DLWN	M5	0.8	22.2	11.1
06M060100DLWN	M6	1.0	29.7	13.4

METRIC WASHERS AND SCREW INSULATORS

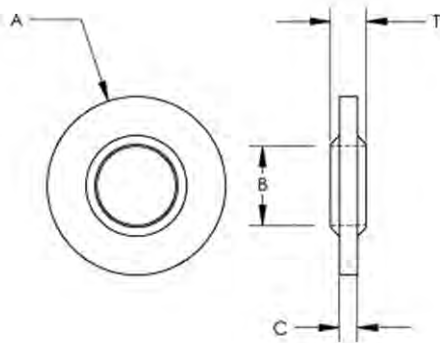
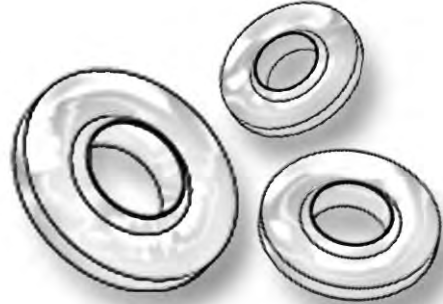
SECTION
XIV

ALL DIMENSIONS ARE IN MILLIMETERS

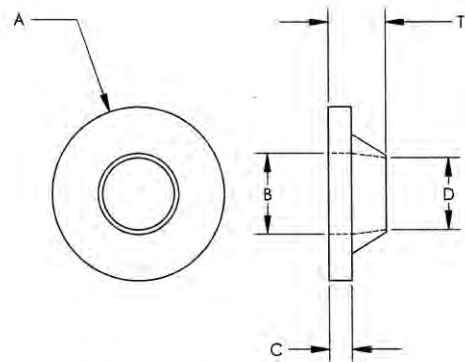
LOCKING AND SEALING WASHERS

Molded in **Natural Nylon 6/6**

Micro Plastics locking and sealing washers are made of natural nylon 6/6. This washer's unique geometry creates an interference both on the OD of a hex nut, and on the ID on the shanks or thread of the screw. As the screw is tightened, the OD cold flows around the hex of a nut, and the ID cold flows into the threads of the bolt or screw.



PART DESIGN A



PART DESIGN B

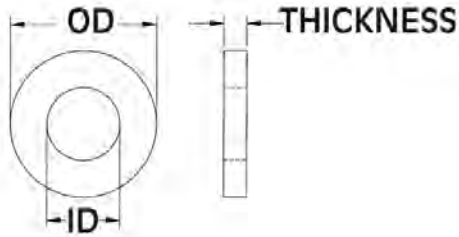
ITEM NUMBER	SCREW SIZE		DESIGN TYPE	ID B	SHANK ID D	OD A	WASHER THICKNESS C	THICKNESS T
	METRIC	INCH						
16MLSW030070070	M3	#5	A	3.10 MM		7.00 MM	0.70 MM	1.40 MM
16MLSW040090125	M4	#8	A	4.15 MM		9.00 MM	1.25 MM	1.25 MM
16MLSW050104140	M5	#10	A	5.15 MM		10.40 MM	1.40 MM	3.50 MM
16MLSW060120160	M6		A	6.10 MM		12.00 MM	1.60 MM	4.00 MM
16MLSW080158210	M8	5/16	A	8.10 MM		15.80 MM	2.10 MM	4.60 MM
16MLSW100196210	M10	3/8	A	10.00 MM		19.60 MM	2.10 MM	5.30 MM
16MLSW140252250	M14	9/16	A	14.00 MM		25.20 MM	2.50 MM	5.50 MM
16MLSW042090120	M4.2		B	4.20 MM	4.20 MM	9.00 MM	1.20 MM	3.00 MM
16MLSW048100150	M4.8		B	4.80 MM	4.80 MM	10.00 MM	1.50 MM	3.20 MM
16MLSW060125150	M6		B	6.30 MM	6.30 MM	12.50 MM	1.50 MM	2.80 MM
16MLSW080160160	M8		B	8.20 MM	8.20 MM	16.00 MM	1.60 MM	3.10 MM
* 16MLSW103150200		R 1/8	B	10.30 MM	9.45 MM	15.00 MM	2.00 MM	4.00 MM
* 16MLSW132190250		R 1/4	B	13.20 MM	12.20 MM	19.00 MM	2.50 MM	4.50 MM

* WHITWORTH TAPERED PIPE THREAD

METRIC WASHERS AND SCREW INSULATORS

SECTION
XIV

ALL DIMENSIONS ARE IN MILLIMETERS



STANDARD WASHERS - DIN 34815

Molded in Natural Nylon 6/6

ITEM NUMBER	THREAD SIZE	MAX. OD	MIN. OD	MAX. ID	MIN. ID	MAX. THICKNESS	MIN. THICKNESS
17M04DIN34815	M4	9 MM	8.64 MM	4.48 MM	4.3 MM	0.9 MM	0.7 MM
17M05DIN34815	M5	10 MM	9.64 MM	5.48 MM	5.3 MM	1.1 MM	0.9 MM
17M06DIN34815	M6	12 MM	11.57 MM	6.62 MM	6.4 MM	1.8 MM	1.4 MM
17M08DIN34815	M8	16 MM	15.57 MM	8.62 MM	8.4 MM	1.8 MM	1.4 MM
17M10DIN34815	M10	20 MM	19.48 MM	10.77 MM	10.5 MM	2.2 MM	1.8 MM
17M12DIN34815	M12	24 MM	23.48 MM	13.27 MM	13 MM	2.7 MM	2.3 MM
17M16DIN34815	M16	30 MM	29.48 MM	17.27 MM	17 MM	3.3 MM	2.7 MM
17M20DIN34815	M20	37 MM	36.38 MM	21.33 MM	21 MM	3.3 MM	2.7 MM

LARGE WASHERS - DIN 34816

Molded in Natural Nylon 6/6

ITEM NUMBER	THREAD SIZE	MAX. OD	MIN. OD	MAX. ID	MIN. ID	MAX. THICKNESS	MIN. THICKNESS
17M03DIN34816	M3	9 MM	8.64 MM	3.38 MM	3.2 MM	0.9 MM	0.7 MM
17M04DIN34816	M4	12 MM	11.57 MM	4.48 MM	4.3 MM	1.1 MM	0.9 MM
17M05DIN34816	M5	15 MM	14.57 MM	5.48 MM	5.3 MM	1.4 MM	1.0 MM
17M06DIN34816	M6	18 MM	17.57 MM	6.62 MM	6.4 MM	1.8 MM	1.4 MM
17M08DIN34816	M8	24 MM	23.48 MM	8.62 MM	8.4 MM	2.2 MM	1.8 MM
17M10DIN34816	M10	30 MM	29.48 MM	10.77 MM	10.5 MM	2.7 MM	2.3 MM
17M12DIN34816	M12	37 MM	36.38 MM	13.27 MM	13 MM	3.3 MM	2.7 MM
17M16DIN34816	M16	50 MM	49.38 MM	17.27 MM	17 MM	3.3 MM	2.7 MM

FLAT WASHERS

Molded in Natural Nylon 6/6

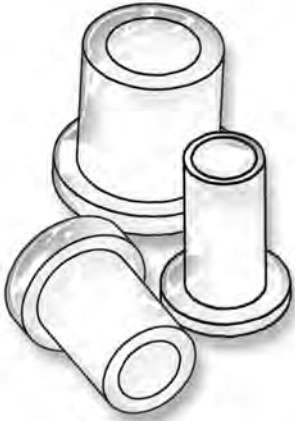
ITEM NUMBER	THREAD SIZE	OD	ID	THICKNESS
16M02050080	M2	5.00 MM	2.15 MM	0.80 MM
16M02556080	M2.5	5.60 MM	2.65 MM	0.80 MM
16M03080080	M3	8.00 MM	3.20 MM	0.80 MM
16M03580080	M3.5	8.00 MM	3.70 MM	0.80 MM
16M04080200	M4	8.00 MM	4.30 MM	2.00 MM
16M04090080	M4	9.00 MM	4.30 MM	0.80 MM
16M05011100	M5	11.00 MM	5.30 MM	1.00 MM
16M06012150	M6	12.00 MM	6.40 MM	1.50 MM
16M08018200	M8	18.00 MM	8.40 MM	2.00 MM
16M08525200	M8.5	25.00 MM	8.50 MM	2.00 MM
16M10022250	M10	22.00 MM	10.50 MM	2.50 MM
16M12025200	M12	25.14 MM	13.43 MM	2.53 MM
16M12034250	M12	33.64 MM	13.40 MM	3.06 MM
16M70074500	M64	74.50 MM	70.00 MM	5.00 MM



METRIC WASHERS AND SCREW INSULATORS

SECTION
XIV

ALL DIMENSIONS ARE IN MILLIMETERS



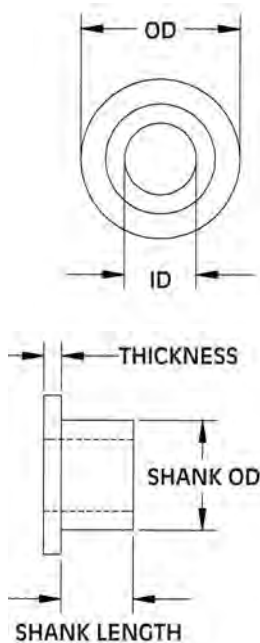
Nylon Screw Insulators are used to isolate metal screws electrically as well as to reduce corrosion. They can be used as light load bearings in many applications. Specials can be made to order for small tool charge. Specify the screw size and length when ordering.



SIZES NOT SHOWN WILL BE TOOLED UPON REQUEST

SCREW INSULATORS

Molded in **Natural Nylon 6/6**

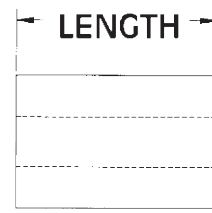
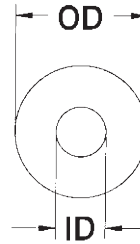


ITEM NUMBER	DESCRIPTION	SHANK LENGTH	OD	THICKNESS	SHANK OD	ID
10SCM002003	SCM 2 X 3	3 MM	4.2 MM	1.0 MM	3.0 MM	2.1 MM
10SCM002004	SCM 2 X 4	4 MM	4.2 MM	1.0 MM	3.0 MM	2.1 MM
10SCM002005	SCM 2 X 5	5 MM	4.2 MM	1.0 MM	3.0 MM	2.1 MM
10SCM002006	SCM 2 X 6	6 MM	4.2 MM	1.0 MM	3.0 MM	2.1 MM
10SCM003001	SCM 3 X 1	1 MM	6.2 MM	1.0 MM	4.0 MM	3.1 MM
10SCM003002	SCM 3 X 2	2 MM	6.2 MM	1.0 MM	4.0 MM	3.1 MM
10SCM003003	SCM 3 X 3	3 MM	6.2 MM	1.0 MM	4.0 MM	3.1 MM
10SCM003004	SCM 3 X 4	4 MM	6.2 MM	1.0 MM	4.0 MM	3.1 MM
10SCM003005	SCM 3 X 5	5 MM	6.2 MM	1.0 MM	4.0 MM	3.1 MM
10SCM003006	SCM 3 X 6	6 MM	6.2 MM	1.0 MM	4.0 MM	3.1 MM
10SCM003007	SCM 3 X 7	7 MM	6.2 MM	1.0 MM	4.0 MM	3.1 MM
10SCM003008	SCM 3 X 8	8 MM	6.2 MM	1.0 MM	4.0 MM	3.1 MM
10SCM003009	SCM 3 X 9	9 MM	6.2 MM	1.0 MM	4.0 MM	3.1 MM
10SCM003010	SCM 3 X 10	10 MM	6.2 MM	1.0 MM	4.0 MM	3.1 MM
10SCM004003	SCM 4 X 3	3 MM	8.4 MM	1.5 MM	6.0 MM	4.1 MM
10SCM004004	SCM 4 X 4	4 MM	8.4 MM	1.5 MM	6.0 MM	4.1 MM
10SCM004005	SCM 4 X 5	5 MM	8.4 MM	1.5 MM	6.0 MM	4.1 MM
10SCM004007	SCM 4 X 7	7 MM	8.4 MM	1.5 MM	6.0 MM	4.1 MM
10SCM004009	SCM 4 X 9	9 MM	8.4 MM	1.5 MM	6.0 MM	4.1 MM
10SCM005003	SCM 5 X 3	3 MM	10.2 MM	2.0 MM	7.0 MM	5.1 MM
10SCM005004	SCM 5 X 4	4 MM	10.2 MM	2.0 MM	7.0 MM	5.1 MM
10SCM005005	SCM 5 X 5	5 MM	10.2 MM	2.0 MM	7.0 MM	5.1 MM
10SCM005007	SCM 5 X 7	7 MM	10.2 MM	2.0 MM	7.0 MM	5.1 MM
10SCM005009	SCM 5 X 9	9 MM	10.2 MM	2.0 MM	7.0 MM	5.1 MM
10SCM006004	SCM 6 X 4	4 MM	12.2 MM	2.0 MM	8.0 MM	6.1 MM
10SCM006006	SCM 6 X 6	6 MM	12.2 MM	2.0 MM	8.0 MM	6.1 MM
10SCM006008	SCM 6 X 8	8 MM	12.2 MM	2.0 MM	8.0 MM	6.1 MM
10SCM006010	SCM 6 X 10	10 MM	12.2 MM	2.0 MM	8.0 MM	6.1 MM
10SCM006012	SCM 6 X 12	12 MM	12.2 MM	2.0 MM	8.0 MM	6.1 MM
10SCM008004	SCM 8 X 4	4 MM	14.2 MM	2.5 MM	10.0 MM	8.1 MM
10SCM008006	SCM 8 X 6	6 MM	14.2 MM	2.5 MM	10.0 MM	8.1 MM
10SCM008008	SCM 8 X 8	8 MM	14.2 MM	2.5 MM	10.0 MM	8.1 MM
10SCM008010	SCM 8 X 10	10 MM	14.2 MM	2.5 MM	10.0 MM	8.1 MM
10SCM008012	SCM 8 X 12	12 MM	14.2 MM	2.5 MM	10.0 MM	8.1 MM

METRIC SPACERS

ALL DIMENSIONS ARE IN MILLIMETERS

SECTION
XV



METRIC SPACERS

Molded in **Black Heat Stabilized Nylon**

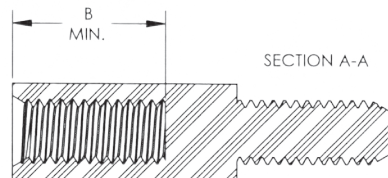
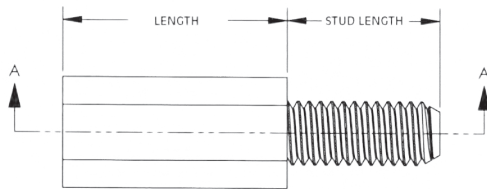
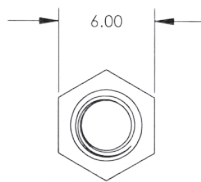
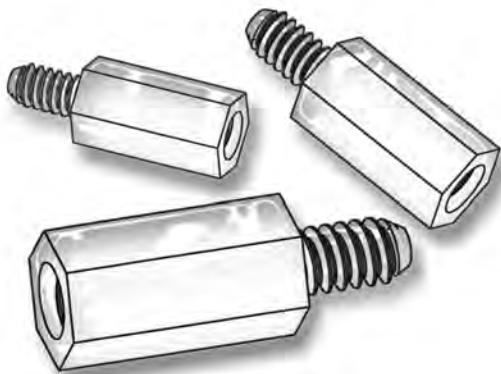
ITEM NUMBER	DESC.	OD	ID	LENGTH	ITEM NUMBER	DESC.	OD	ID	LENGTH
13ME001	ME 1	4 MM	2.6 MM	2 MM	13ME069	ME 69	10 MM	6.3 MM	5 MM
13ME002	ME 2	4 MM	2.6 MM	3 MM	13ME070	ME 70	10 MM	6.3 MM	7.5 MM
13ME003	ME 3	4 MM	2.6 MM	5 MM	13ME071	ME 71	10 MM	6.3 MM	10 MM
13ME004	ME 4	4 MM	2.6 MM	7.5 MM	13ME072	ME 72	10 MM	6.3 MM	15 MM
13ME005	ME 5	4 MM	2.6 MM	10 MM	13ME073	ME 73	10 MM	6.3 MM	20 MM
13ME006	ME 6	4 MM	2.6 MM	15 MM	13ME074	ME 74	10 MM	6.3 MM	25 MM
13ME007	ME 7	4 MM	2.6 MM	20 MM	13ME075	ME 75	10 MM	6.3 MM	30 MM
13ME010	ME 10	5 MM	2.6 MM	2 MM	13ME076	ME 76	15 MM	6.5 MM	3 MM
13ME011	ME 11	5 MM	2.6 MM	3 MM	13ME077	ME 77	15 MM	6.5 MM	5 MM
13ME012	ME 12	5 MM	2.6 MM	5 MM	13ME078	ME 78	15 MM	6.5 MM	7.5 MM
13ME013	ME 13	5 MM	2.6 MM	7.5 MM	13ME079	ME 79	15 MM	6.5 MM	10 MM
13ME014	ME 14	5 MM	2.6 MM	10 MM	13ME080	ME 80	15 MM	6.5 MM	15 MM
13ME015	ME 15	5 MM	2.6 MM	15 MM	13ME081	ME 81	15 MM	6.5 MM	20 MM
13ME016	ME 16	5 MM	2.6 MM	20 MM	13ME083	ME 83	15 MM	6.5 MM	30 MM
13ME019	ME 19	5 MM	3.2 MM	2 MM	13ME084	ME 84	12 MM	8.3 MM	3 MM
13ME020	ME 20	5 MM	3.2 MM	3 MM	13ME085	ME 85	12 MM	8.3 MM	5 MM
13ME021	ME 21	5 MM	3.2 MM	5 MM	13ME086	ME 86	12 MM	8.3 MM	7.5 MM
13ME022	ME 22	5 MM	3.2 MM	7.5 MM	13ME087	ME 87	12 MM	8.3 MM	10 MM
13ME023	ME 23	5 MM	3.2 MM	10 MM	13ME088	ME 88	12 MM	8.3 MM	15 MM
13ME024	ME 24	5 MM	3.2 MM	15 MM	13ME089	ME 89	12 MM	8.3 MM	20 MM
13ME025	ME 25	5 MM	3.2 MM	20 MM	13ME091	ME 91	12 MM	8.3 MM	30 MM
13ME028	ME 28	6 MM	3.2 MM	3 MM	13ME092	ME 92	18 MM	8.3 MM	3 MM
13ME029	ME 29	6 MM	3.2 MM	5 MM	13ME093	ME 93	18 MM	8.3 MM	5 MM
13ME030	ME 30	6 MM	3.2 MM	7.5 MM	13ME094	ME 94	18 MM	8.3 MM	7.5 MM
13ME031	ME 31	6 MM	3.2 MM	10 MM	13ME095	ME 95	18 MM	8.3 MM	10 MM
13ME032	ME 32	6 MM	3.2 MM	15 MM	13ME096	ME 96	18 MM	8.3 MM	15 MM
13ME033	ME 33	6 MM	3.2 MM	20 MM	13ME097	ME 97	18 MM	8.3 MM	20 MM
13ME036	ME 36	8 MM	3.2 MM	3 MM	13ME098	ME 98	18 MM	8.3 MM	25 MM
13ME037	ME 37	8 MM	3.2 MM	5 MM	13ME099	ME 99	18 MM	8.3 MM	30 MM
13ME038	ME 38	8 MM	3.2 MM	7.5 MM	13ME100	ME100	15 MM	10.4MM	3 MM
13ME039	ME 39	8 MM	3.2 MM	10 MM	13ME101	ME101	15 MM	10.4MM	5 MM
13ME040	ME 40	8 MM	3.2 MM	15 MM	13ME102	ME102	15 MM	10.4MM	7.5 MM
13ME041	ME 41	8 MM	3.2 MM	20 MM	13ME103	ME103	15 MM	10.4MM	10 MM
13ME044	ME 44	6 MM	3.6 MM	3 MM	13ME104	ME104	15 MM	10.4MM	15 MM
13ME045	ME 45	6 MM	3.6 MM	5 MM	13ME105	ME105	15 MM	10.4MM	20 MM
13ME046	ME 46	6 MM	3.6 MM	7.5 MM	13ME108	ME108	22 MM	10.4MM	5 MM
13ME047	ME 47	6 MM	3.6 MM	10 MM	13ME109	ME109	22 MM	10.4MM	10 MM
13ME048	ME 48	6 MM	3.6 MM	15 MM	13ME110	ME110	22 MM	10.4MM	15 MM
13ME049	ME 49	6 MM	3.6 MM	20 MM	13ME111	ME 111	22 MM	10.4MM	20 MM
13ME052	ME 52	8 MM	4.3 MM	3 MM	13ME118	ME118	18 MM	13.3MM	3 MM
13ME053	ME 53	8 MM	4.3 MM	5 MM	13ME119	ME119	18 MM	13.3MM	5 MM
13ME054	ME 54	8 MM	4.3 MM	7.5 MM	13ME120	ME120	18 MM	13.3MM	7.5 MM
13ME055	ME 55	8 MM	4.3 MM	10 MM	13ME121	ME121	18 MM	13.3MM	10 MM
13ME056	ME 56	8 MM	4.3 MM	15 MM	13ME122	ME122	18 MM	13.3MM	15 MM
13ME057	ME 57	8 MM	4.3 MM	20 MM	13ME123	ME123	18 MM	13.3MM	20 MM
13ME060	ME 60	10 MM	5.3 MM	3 MM	13ME124	ME124	18 MM	13.3MM	25 MM
13ME061	ME 61	10 MM	5.3 MM	5 MM	13ME126	ME126	25 MM	13.3MM	5 MM
13ME062	ME 62	10 MM	5.3 MM	7.5 MM	13ME127	ME127	25 MM	13.3MM	10 MM
13ME063	ME 63	10 MM	5.3 MM	10 MM	13ME128	ME128	25 MM	13.3MM	15 MM
13ME064	ME 64	10 MM	5.3 MM	15 MM	13ME129	ME129	25 MM	13.3MM	20 MM
13ME065	ME 65	10 MM	5.3 MM	20 MM	13ME132	ME132	10 MM	6.3 MM	28 MM
13ME068	ME 68	10 MM	6.3 MM	3 MM					



METRIC SPACERS

SECTION
XV

ALL DIMENSIONS ARE IN MILLIMETERS



METRIC MALE FEMALES

Molded in Natural Nylon 6/6

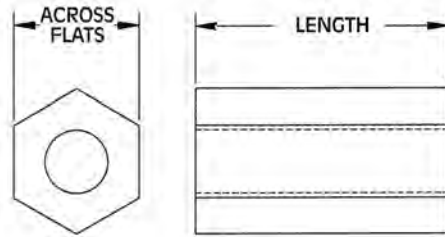
ITEM NUMBER	SCREW SIZE	THREAD	LENGTH	STUD LENGTH	B MIN. THREAD DEPTH
36M30MF006	M3	0.5	6 MM	4.76 MM	4 MM
36M30MF008	M3	0.5	8 MM	4.76 MM	4.76 MM
36M30MF010	M3	0.5	10 MM	4.76 MM	4.76 MM
36M30MF011	M3	0.5	11 MM	4.76 MM	4.76 MM
36M30MF012	M3	0.5	12 MM	4.76 MM	4.76 MM
36M30MF013	M3	0.5	13 MM	4.76 MM	4.76 MM
36M30MF014	M3	0.5	14 MM	4.76 MM	4.76 MM
36M30MF016	M3	0.5	16 MM	4.76 MM	4.76 MM
36M30MF019	M3	0.5	19 MM	4.76 MM	4.76 MM
36M30MF020	M3	0.5	20 MM	4.76 MM	4.76 MM
36M30MF022	M3	0.5	22 MM	4.76 MM	4.76 MM
36M30MF025	M3	0.5	25 MM	4.76 MM	4.76 MM
36M35MF008	M3.5	0.6	8 MM	6.35 MM	6 MM
36M35MF010	M3.5	0.6	10 MM	6.35 MM	6.35 MM
36M35MF011	M3.5	0.6	11 MM	6.35 MM	6.35 MM
36M35MF012	M3.5	0.6	12 MM	6.35 MM	6.35 MM
36M35MF013	M3.5	0.6	13 MM	6.35 MM	6.35 MM
36M35MF014	M3.5	0.6	14 MM	6.35 MM	6.35 MM
36M35MF016	M3.5	0.6	16 MM	6.35 MM	6.35 MM
36M35MF019	M3.5	0.6	19 MM	6.35 MM	6.35 MM
36M35MF020	M3.5	0.6	20 MM	6.35 MM	6.35 MM
36M35MF022	M3.5	0.6	22 MM	6.35 MM	6.35 MM
36M35MF025	M3.5	0.6	25 MM	6.35 MM	6.35 MM
36M40MF010	M4	0.7	10 MM	8 MM	8 MM
36M40MF011	M4	0.7	11 MM	9.53 MM	9 MM
36M40MF012	M4	0.7	12 MM	9.53 MM	9.53 MM
36M40MF013	M4	0.7	13 MM	9.53 MM	9.53 MM
36M40MF014	M4	0.7	14 MM	9.53 MM	9.53 MM
36M40MF015	M4	0.7	15 MM	9.53 MM	9.53 MM
36M40MF016	M4	0.7	16 MM	9.53 MM	9.53 MM
36M40MF018	M4	0.7	18 MM	9.53 MM	9.53 MM
36M40MF019	M4	0.7	19 MM	9.53 MM	9.53 MM
36M40MF020	M4	0.7	20 MM	9.53 MM	9.53 MM
36M40MF022	M4	0.7	22 MM	9.53 MM	9.53 MM
36M40MF025	M4	0.7	25 MM	9.53 MM	9.53 MM



METRIC SPACERS

ALL DIMENSIONS ARE IN MILLIMETERS

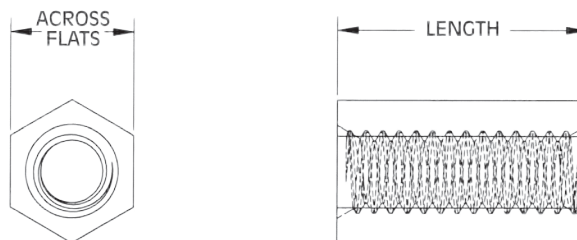
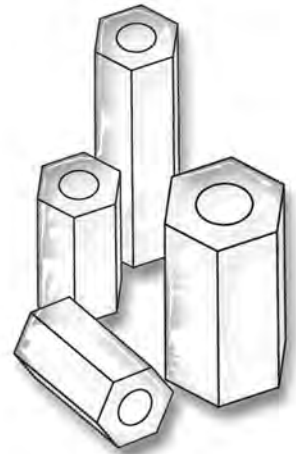
SECTION
XV



HEX SPACERS

Molded in Natural Nylon 6/6

ITEM NUMBER	SELF TAPPING ID	SCREW SIZE	LENGTH	ACROSS FLATS
35MHSP004	2.62MM	M3	20MM	6MM
35MHSP006	3.56MM	M4	6MM	6MM
35MHSP008	3.56MM	M4	8MM	6MM
35MHSP010	3.56MM	M4	10MM	6MM
35MHSP012	3.56MM	M4	12MM	6MM
35MHSP015	3.56MM	M4	15MM	6MM
35MHSP018	3.56MM	M4	18MM	6MM
35MHSP020	3.56MM	M4	20MM	6MM
35MHSP025	3.56MM	M4	25MM	6MM

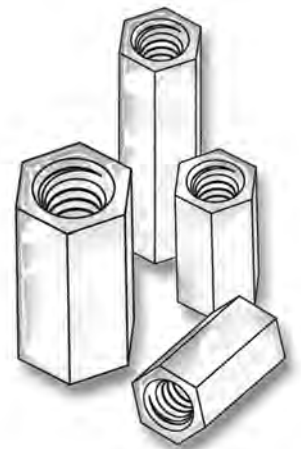


Parts longer than 19MM will be tapped 9.5MM deep on both ends.

HEX TAPPED SPACERS

Molded in Natural Nylon 6/6

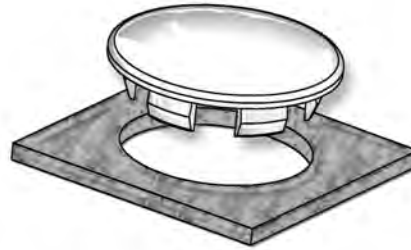
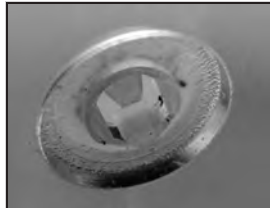
ITEM NUMBER	THREAD	SCREW SIZE	LENGTH	ACROSS FLATS
14MMHTSP004	M3X0.5	M3	20MM	6MM
14MMHTSP006	M4X0.7	M4	6MM	6MM
14MMHTSP008	M4X0.7	M4	8MM	6MM
14MMHTSP010	M4X0.7	M4	10MM	6MM
14MMHTSP012	M4X0.7	M4	12MM	6MM
14MMHTSP015	M4X0.7	M4	15MM	6MM
14MMHTSP018	M4X0.7	M4	18MM	6MM
14MMHTSP020	M4X0.7	M4	20MM	6MM
14MMHTSP025	M4X0.7	M4	25MM	6MM



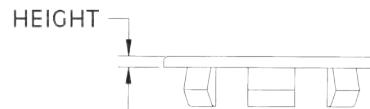
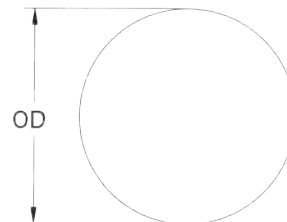
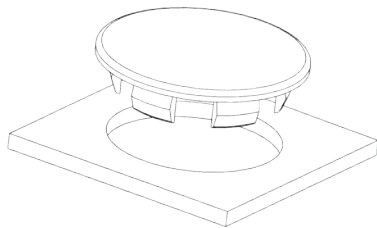
METRIC PANEL FASTENERS AND HOLE PLUGS

SECTION
XVI

ALL DIMENSIONS ARE IN MILLIMETERS



Micro Plastics' economical metric snap-in poly-plugs will close unneeded holes, wiring, outlets, fill unused accessory openings, cover inspection and production access holes. They can be used as tube end caps and protective bumpers. Metric poly plugs are molded in Nylon 6/6 which is corrosion, abrasion and vibration resistant, making them ideal for drawer glides and small appliance feet. Poly plugs are designed with special flexible and tapered prongs which snugly lock in place with finger pressure but can be removed and reused when necessary. Poly plugs have a dull matte finish and are stocked in natural nylon. Dyed and molded colors are available in volume requirements.



METRIC HOLE PLUGS

Molded in Natural Nylon 6/6

ITEM NUMBER	HEAD STYLE	FINISH	HOLE SIZE RND	PANEL THICKNESS	OD	HEIGHT
62PPM06BM16	Binder	Matte	6 MM	0.8-1.6 MM	10.0 MM	2.0 MM
62PPM08BM35	Binder	Matte	8 MM	0.8-3.5 MM	12.0 MM	2.0 MM
62PPM10BM35	Binder	Matte	10 MM	0.8-3.5 MM	14.0 MM	2.0 MM
62PPM12BM35	Binder	Matte	12 MM	0.8-3.5 MM	16.0 MM	2.0 MM
62PPM14BM35	Binder	Matte	14 MM	0.8-3.5 MM	18.0 MM	2.0 MM
62PPM16BM35	Binder	Matte	16 MM	0.8-3.5 MM	20.0 MM	2.0 MM
62PPM18BM40	Binder	Matte	18 MM	0.8-4.0 MM	22.0 MM	2.0 MM
62PPM20BM40	Binder	Matte	20 MM	0.8-4.0 MM	26.0 MM	2.0 MM
62PPM22BM40	Binder	Matte	22 MM	0.8-4.0 MM	27,8 MM	2.0 MM
62PPM24BM40	Binder	Matte	24 MM	0.8-4.0 MM	28.0 MM	2.0 MM
62PPM26BM40	Binder	Matte	26 MM	0.8-4.0 MM	30.0 MM	2.0 MM

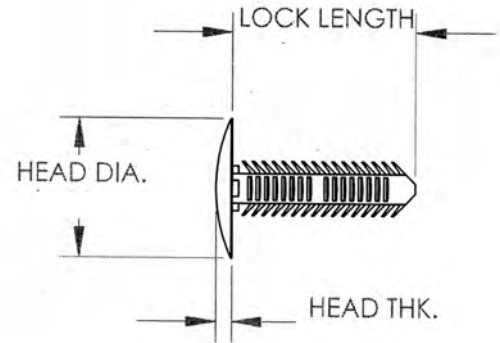
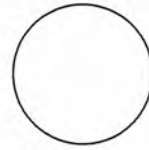
METRIC PANEL FASTENERS AND HOLE PLUGS

ALL DIMENSIONS ARE IN MILLIMETERS

SECTION
XVI

METRIC XMAS TREE TYPE CLIPS

Molded in **Black Nylon 6/6**



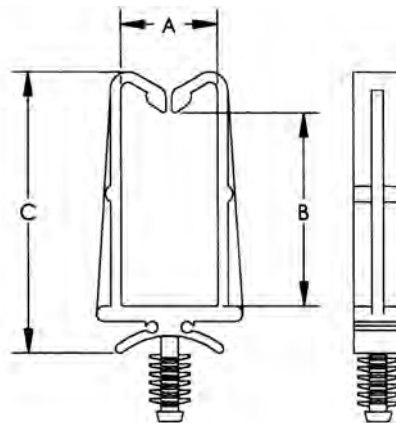
PART NUMBER	HOLE SIZE	PANEL THICKNESS RANGE	HEAD DIAMETER	HEAD THICKNESS	LOCK LENGTH
27MXT003003	3MM	1.6MM-3MM	8.39 MM	1.57 MM	4.85 MM
27MXT003006	3MM	1.6MM-6MM	8.39 MM	1.57 MM	7.57 MM
27MXT003010	3MM	1.6MM-6MM	8.39 MM	1.57 MM	11.66 MM
27MXT004006	4MM	1.6MM-6MM	11.18 MM	1.98 MM	8.33 MM
27MXT004010	4MM	1.6MM-10MM	11.18 MM	1.98 MM	12.24 MM
27MXT005006	5MM	1.6MM-6MM	13.97 MM	1.98 MM	8.53 MM
27MXT005010	5MM	1.6MM-10MM	13.97 MM	1.98 MM	12.29 MM
27MXT005026	5MM	1.6MM-26MM	13.97 MM	1.98 MM	28.35 MM
27MXT006006	6MM	1.6MM-6MM	16.78 MM	1.98 MM	9.27 MM
27MXT006018	6MM	1.6MM-18MM	16.78 MM	1.98 MM	21.31 MM
27MXT006050	6MM	1.6MM-50MM	16.78 MM	1.98 MM	53.70 MM

METRIC WIRE HANDLING HARDWARE

ALL DIMENSIONS ARE IN MILLIMETERS

SECTION
XVII

Micro Plastics' Wire/Cable Holders are designed to mount into 5mm hole diameters. Wire/Cable Holders can be used in a variety of panel thicknesses and materials. Sizes are available to handle wire bundle diameters from 9.5mm to 12.7mm.



WIRE/CABLE HOLDERS

Molded in **Natural Nylon 6/6**

ITEM NUMBER	A	B	C	HOLE DIA.	PANEL RANGE
22MWA095127	9.5	12.7	23.4	5MM	VARIABLE
22MWA095190	9.5	19.0	29.8	5MM	VARIABLE
22MWA127190	12.7	19.0	30.5	5MM	VARIABLE
22MWA127254	12.7	25.4	37.3	5MM	VARIABLE

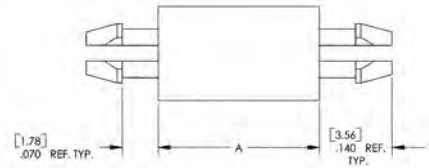
METRIC CIRCUIT BOARD HARDWARE

SECTION
XVIII

ALL DIMENSIONS ARE IN MILLIMETERS

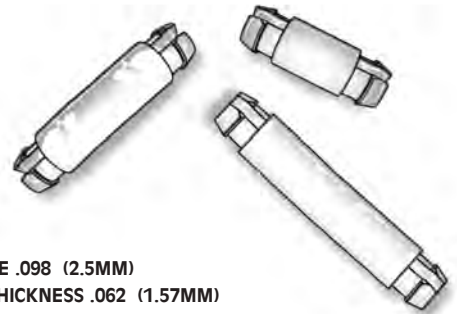
MINIATURE SUPPORT POSTS

Molded in **Natural Nylon 6/6**



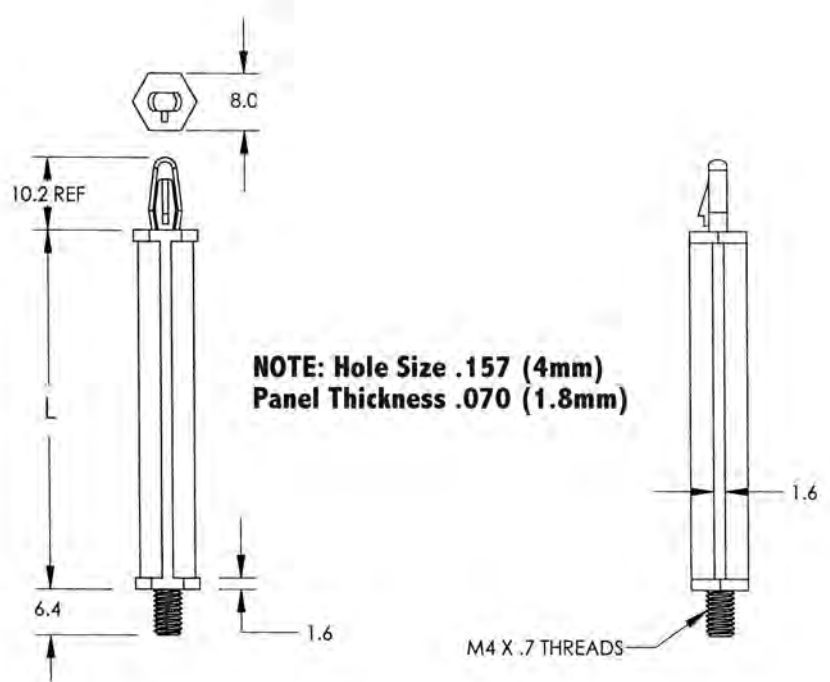
ITEM NUMBER	A
27MMP002	2 MM
27MMP003	3 MM
27MMP003A	3.5 MM
27MMP004	4 MM
27MMP005	5 MM
27MMP006	6 MM
27MMP008	8 MM
27MMP010	10 MM
27MMP012	12 MM
27MMP014	14 MM
27MMP016	16 MM
27MMP018	18 MM
27MMP020	20 MM
27MMP022	22 MM

Economical locking spacers eliminate screws, nuts, and lock washers in mounting P.C. Boards on metal chassis or stacking in multiple tiers. Unique locking clips provide a mechanically secure, reusable connection in predrilled or punched holes while saving considerable assembly time. The new metric supports are designed for 2.5mm diameter holes and 1.57 mm thick panels. Lengths from 2mm to 22mm available.



NOTE: HOLE SIZE .098 (2.5MM)
PANEL THICKNESS .062 (1.57MM)

New
Product
Line



NOTE: Hole Size .157 (4mm)
Panel Thickness .070 (1.8mm)

MALE PCB SUPPORT POSTS

Molded in **Natural Nylon 6/6**

ITEM NUMBER	DESCRIPTION	L
27MLMTP45	MLMTP 45	45 MM
27MLMTP50	MLMTP 50	50 MM

METRIC FASTENER ASSORTMENT KITS

SECTION
XIX



MOLDED NYLON FASTENERS PROVIDE ELECTRICAL INSULATION, VIBRATION AND CORROSION RESISTANCE. HAVE A LOW THERMAL CONDUCTIVITY, ARE NON-MAGNETIC AND HAVE A HIGH STRENGTH-TO-WEIGHT RATIO. PACKAGED IN LARGE REUSABLE TRANSPARENT PLASTIC STORAGE BOXES.

IDEAL FOR:

- PROTOTYPE WORK** - Large working assortments.
- PRODUCT DESIGN** - Latest designs for increased productivity.
- MODEL MAKING** - Commercially available standard parts.
- SHOP AND MAINTENANCE** - Convenient selection.

O4ASO965MSM MACHINE SCREWS

OVER 950 NYLON FASTENERS OVER 60 DIFFERENT SIZES AND TYPES

Assortment Kit Consists of Approximately:

220 - M2	X 4MM to 25MM Long
170 - M2.5	X 4MM to 25MM Long
115 - M3	X 5MM to 25MM Long
110 - M3.5	X 5MM to 25MM Long
130 - M4	X 6MM to 25MM Long
135 - M5	X 6MM to 25MM Long
85 - M6	X 5MM to 25MM Long

O4ASO4115FWM FLAT WASHERS

OVER 700 NYLON FASTENERS

Assortment Kit Consists of Approximately:

900 - M2	Flat Washers
825 - M2.5	Flat Washers
700 - M3	Flat Washers
650 - M3.5	Flat Washers
570 - M4	Flat Washers
300 - M5	Flat Washers
170 - M6	Flat Washers

O4ASO690SPM SPACERS

OVER 600 NYLON FASTENERS OVER 30 DIFFERENT SIZES AND TYPES

Assortment Kit Consists of Approximately:

105 - M2	X 3MM to 25MM Long
95 - M2.5	X 3MM to 25MM Long
80 - M3	X 3MM to 25MM Long
150 - M3.5	X 3MM to 10MM Long
110 - M4	X 3MM to 25MM Long
50 - M5	X 3MM to 25MM Long
55 - M6	X 3MM to 25MM Long

O4ASO655MMN MACHINE SCREWS & NUTS

OVER 655 NYLON FASTENERS OVER 30 DIFFERENT SIZES AND TYPES

Slotted Cheese Head, Hex Head, Fillister Head and 90° Flat Head Styles, MACHINE SCREWS in sizes;

Assortment Kit Consists of Approximately:

100 - M3	X 5	X 6 to 25MM
100 - M3.5	X 6	X 5 to 25MM
100 - M4	X 7	X 6 to 16MM
100 - M5	X 8	X 6 to 16MM
30 - M6	X 1.00	X 8 to 16MM
200 - Metric Nuts & Washers		

O4ASO705SCM SCREW INSULATORS

OVER 700 NYLON FASTENERS OVER 20 DIFFERENT SIZES AND TYPES

Assortment Kit Consists of Approximately:

150 - M2	Screw Insulators
125 - M3	Screw Insulators
200 - M4	Screw Insulators
125 - M5	Screw Insulators
105 - M6	Screw Insulators

O4ASO700WSM SHOULDER WASHERS

OVER 1000 NYLON FASTENERS OVER 20 DIFFERENT SIZES AND TYPES

Assortment Kit Consists of Approximately:

315 - M2	Shoulder Washers
245 - M3	Shoulder Washers
180 - M4	Shoulder Washers
225 - M5	Shoulder Washers
105 - M6	Shoulder Washers



MICRO PLASTICS' MOLDED NYLON 6/6 FASTENERS MECHANICAL TEST DATA - UNC - UNF

SECTION
XX
INFORMATION

Nylon 6/6 meets ASTM D4066/ASTM D6779

All tests performed per ASTM specifications. Parts molded in Nylon 6/6, dry as molded, unmoisturized, at 73° F/23° C. Results are average of random parts tested. Data listed is for informational purposes only and shall not be used to establish specifications, limits or used alone as the basis of design.

MACHINE SCREWS

SIZE	ULTIMATE TORQUE	MAX TORQUE BEFORE DEFORMATION	TENSILE TEST		DOUBLE SHEAR	
			YIELD LBS.	BREAK LBS.	YIELD LBS.	BREAK LBS.
256	---- NO TEST	----- NO TEST ---	16	19	-----NO TEST ----	
440	24 In Oz.	12-16 In Oz.	38	41	45	50
632	30 In Oz.	18-20 In Oz.	65	69	91	97
832	5 In Lbs.	2-3 In Lbs.	99	108	158	164
1024	6 In Lbs.	2-4 In Lbs.	139	149	187	257
1032	7 In Lbs.	3-4 In Lbs.	155	165	234	241
1/4-20	13 In Lbs.	9-10 In Lbs.	296	312	413	432

HEX NUTS

SIZE	#1 TENSILE LBS.	#2 TENSILE TORQUE	RECOMMENDED TORQUE BEFORE DEFORMATION
440	85	2 In Lbs.	1.5 In Lbs.
632	135	5.2 In Lbs.	4 In Lbs.
832	172	6.8 In Lbs.	5 In Lbs.
1024	211	7 In Lbs.	5.5 In Lbs.
1032	276	8 In Lbs.	6.5 In Lbs.
1/4-20	311	19.3 In Lbs.	17 In Lbs.
5/16-18	877	44.3 In Lbs.	42 In Lbs.
3/8-16	994	74 In Lbs.	72 In Lbs.
1/2-13	2,367	15.7 Ft Lbs.	13 Ft Lbs.
5/8-11	3,487	31.7 Ft.Lbs.	30 Ft Lbs.
Test #1 Pull Test -Nylon Nut on Metal Screw		Test #2 Torque on Nylon Nut on Metal Screw	

CAP SCREWS

SIZE	ULTIMATE TORQUE	MAX TORQUE BEFORE DEFORMATION	TENSILE TEST		DOUBLE SHEAR	
			YIELD LBS.	BREAK LBS.	YIELD LBS.	BREAK LBS.
1/4-20	19 In Lbs.	15-16 In Lbs.	200	228	413	432
5/16-18	37 In Lbs.	32-34 In Lbs.	403	424	866	880
3/8-16	49 In Lbs.	45-46 In Lbs.	480	513	1108	1173
1/2-13	11 Ft. Lbs.	7-8 Ft. Lbs.	1393	1425	2276	2313
5/8-11	22 Ft. Lbs.	18-19 Ft. Lbs.	2260	2303	3340	3410

MICRO PLASTICS' MOLDED NYLON 6/6 FASTENERS MECHANICAL TEST DATA - METRIC

Data listed is for informational purposes only and shall not be used to establish specifications, limits or used alone as the basis of design.

MACHINE SCREWS

SIZE	ULTIMATE TORQUE	MAX TORQUE BEFORE DEFORMATION	TENSILE TEST YIELD NEWTONS	TENSILE TEST BREAK NEWTONS	DOUBLE SHEAR YIELD NEWTONS	DOUBLE SHEAR BREAK NEWTONS
M2 X .4	NO TEST	NO TEST	7.12 N	2.14 N	89 N	116 N
M2.5 X .45	NO TEST	NO TEST	8.9 N	4.85 N	156 N	169 N
M3 X .5	.32 Nm	.2-.26 Nm	22 N	6.21 N	294 N	329 N
M3.5 X .6	.43 Nm	.28-.34 Nm	53 N	7.23 N	378 N	405 N
M4 X .7	.45 Nm	.36-.43 Nm	214 N	11.52 N	600 N	636 N
M5 X .8	.93 Nm	.73-.79 Nm	271 N	19.20 N	1081 N	1134 N
M6 X .1	1.83 Nm	1.41-1.47 Nm	845 N	0	1806 N	1877 N *
M8 X 1.25	3.39 Nm	2.45-2.82 Nm	1677 N	0	2980 N	3034 N *
M10 X 1.50	5.31 Nm	4.52 - 4.86 Nm	2749 N	79.31 N	5026 N	5280 N *

* PENDING REVIEW

HEX NUTS

SIZE	TENSILE	ULTIMATE TORQUE
M2	NO TEST	NO TEST
M2.5	135.23 N	NO TEST
M3	142.34 N	NO TEST
M3.5	369.20 N	2.3 CM/KG
M4	451.94 N	4.5 CM/KG
M5	940.35 N	8.3
M6	1556.65 N	17.6 CM/KG
M8	2597.76 N	56.2 CM/KG
M10	6283.11 N	89.93 CM/KG

PLASTIC MATERIALS PRINCIPAL PROPERTIES

SECTION
XX
INFORMATION

FOR ADDITIONAL MATERIAL INFORMATION SEE OUR WEBSITE

<http://www.microplastics.com/Materials/Material%20list.htm>

NYLON 6/6 POLYAMIDE (PA) General-purpose nylon 6/6 has good toughness, tensile strength, and resistance to creep, particularly in the high temperature range. Nylon has excellent wear properties, low coefficient of friction, and exceptional chemical resistance particularly to aromatic hydrocarbons, greases, and oils. Nylon is a hygroscopic material. Moisture acts as a plasticizer reducing the tensile strength, stiffness, and increasing elongation, impact strength, and energy absorbing characteristics. Outdoor weathering can be improved by the addition of carbon black. Nylon will perform well in long range service in most applications at temperatures as high as 185° F (85° C). Nylon is a translucent off white color. **APPLICATIONS** Fasteners - Bearings - Gears - Cams - Gaskets - Printed Circuit Board Hardware - Washers - Spacers - Insulators - Spiral Wrap - Flexible Grommeting - Wire Ties - Electronic Components - Bushings - Wiring Clips - Cable Clamps - Hole Plugs - Hose Clamps

QUALIFICATIONS Mil - M20693B "A" Type 1

LP410A

ASTM D4066 Type 1 Grade 2 Per ASTM D789

NYLON 6 HEAT STABILIZED Nylon 6 heat stabilized has the same mechanical properties as general purpose nylon 6q with the additional advantage of heat stabilization this material can withstand 250° F (121° C) temperature in long range service in most applications. Heat stabilized nylon is off white in color. **APPLICATIONS** Fasteners - Bearings - Gears - Cams - Printed Circuit Board Hardware - Washers - Spacers - Insulators - Electronic Components - Bushings - Strain Relief - Hole Plugs - Wiring Clips - Hose Clamps.

NYLON 6/6 IMPACT MODIFIED Nylon 6/6 impact modified has the additional advantage of very high impact strength at low temperatures and enhanced resistance to heat distortion over general purpose nylon 6/6. Impact nylon 6/6 is off white in color. **APPLICATIONS** Fasteners - Bearings - Gears - Cams - Printed Circuit Board Hardware - Washers - Spacers - Insulators - Electronic Components - Bushings - Requiring additional impact resistance.

NYLON 6/6 30% GLASSFILLED Glass-Reinforced nylon has outstanding property improvements over unreinforced compositions. Improvements include greater tensile strength, deflection temperature, shear strength, improved creep resistance, better dimensional stability, and lower moisture absorption and thermal expansion. The good wear resistance, electrical properties and low coefficient of friction of nylon 6/6 un-reinforced are retained. 30% glass-filled nylon is opaque tan in color. **APPLICATIONS** Fasteners - Washers - Spacers - Insulators - Circuit Board Hardware - Requiring greater stiffness and strength.

NYLON 46 POLYAMIDE High temperature nylon, which bridges the price performance cap between traditional nylons and high performance materials. Nylon 46 has excellent short term and long term heat resistance, high stiffness at elevated temperatures, high creep resistance, outstanding toughness, excellent fatigue behavior, good chemical resistance, and higher continuous-use temperature. Nylon 46 is translucent off white in color. **APPLICATIONS** Fasteners - Bearings - Cams - Gears - Printed Circuit Board Hardware - Washers - Spacers - Insulators - Electronic Components - Bushings - Wiring Clips - Cable Clamps - Hose Clamps.

NYLATRON GS Nylon 66 with molybdenum disulphide (MOS₂) solid lubricant added. Nylatron GS offers superior tensile and compressive strength, lower surface friction, higher heat resistance and greater dimensional stability than general purpose nylon 6/6. Nylatron is dark charcoal grey in color. **APPLICATIONS** Bushings - Bearings - Gears - Guides - Rollers - Washers

NYLON 66/6 COPOLYMER FLAME RETARDANT Flame retardant nylon 66/6 has similar properties to general purpose 66 nylon with flame retardant additives for UL94V0 rating. Flame retardant nylon 6/6 is opaque off white in color. **APPLICATIONS** Fasteners - Printed Circuit Board Hardware - Washers - Spacers - Insulators - Electric Components - Bushings - Strain Reliefs - Cable Clamps - Wiring Clips.

ACETAL COPOLYMER (POM) Acetal resins are characterized by their strength, stiffness, and hardness and are stable over a wide range of temperatures, humidity, environments, and stress. Acetal has high load bearing characteristics, excellent creep resistance, and low coefficient of friction. Acetal absorbs little water, minimizing the effect of moisture on its physical properties. Acetal resists neutral oils, grease, petroleum-based fuels, many organic solvents, and alkalis. Oxidizing agents and acids, organic and inorganic, with PH less than four attack acetals. Compared to nylon acetal has better fatigue resistance, creep resistance, stiffness and water resistance, but lower impact strength and abrasion resistance. Acetal is translucent off white in color. Acetal is widely used in plumbing and irrigation because it resists scale build - up and has excellent thread strength, creep resistance, and torque retention.

APPLICATIONS Fasteners - Bearings - Gears - Cams - Washers - Spacers - Dowel Pins - Actuators **QUALIFICATIONS** NSF and FDA Approved.

HIGH-DENSITY POLYETHYLENE (HDPE) Polyethylene is among the lowest density plastics and therefore is one of the lowest cost per cubic measure compared to other plastics. High density polyethylene has good toughness, excellent electrical properties, and chemical resistance, good low temperature brittleness and very low water absorption. Polyethylene is essentially inert, unaffected by strong and weak acids, alkalies, detergents, alcohols, and ketones. Polyethylene has low tensile strength and is subject to considerable creep and stress relaxation under load. Polyethylene will swell with chlorinated and aromatic hydrocarbons including gasoline and oils.

APPLICATIONS Washers - Spacers - Beaded Ties - Insulators - Wire Clips - Protective Caps - Plugs - Spiral Wrap Flexible Grommeting

POLYCARBONATE (PC) Polycarbonate is one of the toughest, most dimensionally stable thermoplastics over wide temperature range. Polycarbonate has exceptionally high impact strength. PC is unaffected by water below 140°F and can be used in boiling water on a limited basis. PC is unaffected by greases, oils, detergents, aliphatic hydrocarbons, most mineral acids, and the higher alcohols. It is attacked by chlorinated hydrocarbons, and most aromatic solvents, esters, and ketones. PC has white water transparency with a 90% light transmission. **APPLICATIONS**

Fasteners, Washers, Spacers, Lenses, Housings.

POLYPROPYLENE (PP) Polypropylene has a good combination of rigidity and toughness, high rigidity at elevated temperatures, can be steam sterilized, good abrasion resistance and low coefficient of friction, nonhygroscopic, excellent electrical properties, unique flex properties, good chemical resistance without stress cracking, one of the lowest densities, and high surface gloss. PP has the highest tensile strength of the olefins, high tensile modulus, and relatively low impact resistance. PP has good fatigue resistance, excellent abrasion resistance and very low coefficient of friction comparable to nylon. However, lubricating nylon surfaces reduces the friction much more than for polypropylene. Polypropylene has excellent chemical resistance to dilute acids, concentrated acids (except oxidizing acids) alkalies, alcohols, detergents, and water. PP resists aromatic hydrocarbons, chlorinated hydrocarbons, greases, and oils at room temperature but is attacked at about 140° F. **APPLICATIONS**

Fasteners-Spacers-Washers-Insulators-Hinge Applications-Containers-Battery Cases-Pump Parts **IMPORTANT** While the descriptions, applications, data, and information contained in the above specifications are presented in good faith and believed to be accurate, it is provided for guidance only. Because many factors affect application and use we recommend that you make tests to determine the suitability of a product for your particular purpose prior to use.

TOLERANCES AND QUALITY OF INJECTION MOLDED NYLON SCREWS

Micro Plastics' molded nylon components are accurately molded of Type 6/6 Nylon. They are tough, resistant to corrosion, light weight and good electrical insulators. Nylon components conform to irregular surfaces, provide vibration dampening, and offer an inexpensive alternative to more expensive metal parts. Molded threads approximate UNC/UNF 2A and 2B. Metric approximate 6g/6H.

-Tolerances are generally held to Industrial Fasteners Institute Standards for inch and metric screws. However, it is often more sensible to try samples or small order quantities before changing from one product to another. Plastic molding has varying degrees of quality. It often involves small amounts of flash, knockout pin marks, gates, sinks, and other slight imperfections. Screws and bolts are gated on the threaded end. It is possible for the gate to leave an extra projection of up to .025"

-Nylon screws have been available for many years commercially. They are either machined on a screw machine or injection molded. The machined parts are made from extruded nylon rod stock and can be held to relatively close tolerances during the machining process. Nylon, however, has the unfortunate property of absorbing moisture from its environment which causes significant changes in its dimensions. So even though parts may have been accurately machined, a moist atmosphere can cause fit problems. Conversely, parts that have been moisture conditioned can "lose" moisture causing dimensional problems. If the overall length of a screw grows, it obviously affects the threads per inch thus causing a tight fit. Changes in the moisture content can also have an affect on the outside diameter, pitch diameter and the root diameter.

-Injection molded nylon screws also suffer from moisture problems but in addition, have inherent tooling problems. All molded nylon screws come from mold cavities parted along the length of the screw. These cavities have two halves that must be matched exactly to produce a perfect part. The cavity halves are doweled together with leader pins when the mold closes to provide the match required. Other locking devices are also employed to hold the halves of the mold in alignment. In the course of molding production quantities, these leader pins and locks suffer some wear. The mold base holding the cavities wears. The molding machine wears causing slight press platen misalignment. Small amounts of dirt on the mold can cause slight mismatch. From the time the tooling begins to run in production, the entire process begins to work against perfect alignment. Mold temperature changes from room temperature to production temperature causes the mismatch condition to worsen. At some point in time, the various factors affecting mismatch reach a condition that causes the molded screw to be unsatisfactory for the user. Then it is necessary to rework the mold to bring it up to its original condition. Since nylon is somewhat flexible, generally molded nylon screws are not held to as quite close tolerances as metal screws. A slight mismatch and minor flash at the parting line is not as serious as it would be in a metal part. End users who submit nylon screws to go-no go gages without trying the fastener in its actual functional application are generally causing unnecessary difficulties for themselves and their supplier. The fact is that because of the many areas of potential process variables, nylon screws made by injection molding are simply not measurable by the same methods as metal screws. They just are not capable of being manufactured to as close tolerances as metal screws.

-The development of the tooling for nylon screws, plus the molded conditions, is a carefully kept secret. Tooling such as this is an evolutionary process. The quality of parts being manufactured today with today's tooling is obviously superior to those made in the beginning. Slight improvements have gradually been made over the years. Since we have production tooling for nearly 3,000 sizes, if we make tooling improvements it is not practical to go back and remake 3,000 molds each time we make an improvement. We do, however, rework and replace as we go along any obviously unsatisfactory tooling. This is a continual process with new sizes being added constantly and at the same time remaking tooling whenever the circumstances require it.

-Occasionally, a few unacceptable parts may escape our quality control procedures. If you receive unsuitable parts, let us know immediately. We will do whatever we can to correct them.

-All nylon screws are molded in a natural color resin. If you require black color, or some other identifying color (not a color match) these parts are made by dyeing the nylon screw with "RIT" dye in a water solution held at about 200° F which adds color but also moisture to the nylon. As stated previously, nylon screws change considerably with the loss or gain of moisture. Nylon screws, as they come from the molding machine contain about .5% moisture. After dyeing in "RIT" dye, the moisture content increases to about 3-4%. Low moisture nylon is more rigid than moisture conditioned material. Impact strength and toughness increases with moisture addition. Flexibility also increases with higher moisture content which causes difficulties for the user on occasion. If you need a solid molded color, a closer than normal tolerance, a special grade of nylon or other plastic material, we can furnish whatever variation or specialty using special molds and set up. This, of course, adds considerably to the cost. We are here to serve you, so tell us what you need.

TOLERANCES OF INJECTION MOLDED NYLON STANDARD COMPONENTS

**TOLERANCES ARE REFERENCE ONLY –
For exact tolerances see individual part
drawing at www.microplastics.com**

+/- .005 ON DIMENSIONS THRU .625
+/- .008 ON DIMENSIONS FROM .626 THRU 1.000
+/- .010 ON DIMENSIONS FROM 1.001 THRU 1.500
+/- .015 ON DIMENSIONS LARGER THAN 1.500
+/- .015 ON FRACTIONAL DIMENSIONS
+/- .13MM ON DIMENSIONS THRU 15.88MM
+/- .20MM ON DIMENSIONS FROM 15.89MM THRU 25.41MM
+/- .25MM ON DIMENSIONS FROM 25.42MM THRU 38.10MM
+/- .38MM ON DIMENSIONS LARGER THAN 38.10MM



PLASTIC MATERIALS PRINCIPAL PROPERTIES

SECTION
XX
INFORMATION

Nylon 46		Nylon 6/6		Nylatron GS		Acetal Copolymer		HDPE		Polycarbonate		Polypropylene	
Dry	Moist	Dry	Moist	Dry	Moist	Dry	Moist	Dry	Moist	Dry	Moist	Dry	Moist
14,400	9,400	11,600	6,500	13,500	8,800	2,470	10,300	4,700					
				110	70		220						
435,000	145,000	520,000	290,000	550,000	410,000		340,000	165,000					
30/25	280/250		10	15	60	700	150	9					
				10,500	7,700		7						
460,000	145,000	250,000		460,000	375,000	146,000	350,000	210,000					
1.8	7.5	1.5		0.7	1.3	2.3	16	0.6					
				0.26									
				0.25	0.15								
		435			316		275	220					
320		195		210	230		260	120					
563		470		480	329	270	309	305					
425							309	320					
311		220			220								
1.18		1.16		1.16	1.41	0.954	1.2	0.905					
3.7		2.6		0.9	0.22		0.15	0.3					
R123	R107	M52		R119	M80	D62	R118	R95					
94V2		94V0		Self Ext	94HB		94V2						
600		2000			500		420	425/550					
3.8	5	3.6			3.7		2.93						
10 ¹⁶	10 ¹⁴	10 ¹⁵			10 ¹⁴		2X10 ¹⁷						

PLASTIC MATERIALS PRINCIPAL PROPERTIES

Property	ASTM Method	Units	Nylon 6/6		Nylon 6/6 Impact Modified		Nylon 6/6 33% Glassfilled	
			Dry	Moist	Dry	Moist	Dry	Moist
Mechanical								
Tensile Strength	D638	PSI	12,000	11,000	7,900		28,000	22,000
Tensile Impact Strength	D1822	FT LB/IN ²						
Tensile Modulus	D638	PSI	232,000		232,000			
Elongation	D638	%						
Break			40-60	300	150	170	4	5
Yield								
Shear Strength	D732	PSI	9,500	8,200	6,900		13,000	10,100
Flexural Modulus	D790	PSI	410,000	185,000	220,000	100,000	1,300,000	900,000
Impact Strength	D256	FT LB/IN	1	2.1	17	NO BRK	2.2	2.6
Coefficient of Friction								
Static			0.31					
Dynamic			0.17					
Thermal								
Deflection Temperature	D648	°F						
66PSI			470		340		495	
264 PSI			170		140		485	
Softening Point	D1525	°F						
Melting Point	D789	°F	500		500		505	
Peak Temperature		°F						
Continuous Use Temperature		°F	185					
Specific Gravity	D792		1.14		1.07		1.38	
Water Absorption	D570	%	1.5		2.3		1	
Hardness	D785		M80	M61	M60	M50	M100	M82
Underwriters Lab. Rating	BUL 94		94V2		94HB		94HB	
Physical								
Dielectric Strength	D149	V/MIL	600		2250	1300		400
Dielectric Constant	D150	1000 HZ	5.3		3.1	3.6	4	
Volume Resistivity	D257	OHM/CM	10 ¹⁴	10 ¹³	4X10 ¹⁴	10 ¹²	10 ¹⁴	
Electrical								

Important: While the descriptions, applications, data, and information contained in the above specifications are presented in good faith and believed to be accurate, it is provided for guidance only. Because many factors affect application and use we recommend that you make tests to determine the suitability of a product for particular purpose prior to use.

PRODUCT INDEX

SECTION
XXI

A AAWC PAGE 208	FSTP-FTP PAGE 228, 229	MLLP PAGE 228	RCFB-C PAGE 182	SL ADCLIP PAGE 223	01 T PAGE 27
ABC 175	FW 61	MMHTSP 281	RCPM 175	SWIFTKEY (HD) 247	01 WF 28
AC 166	FWRT 60	MMP 284	RIV 230	T TA 215-218,220	01 WTS 49
ACC 186	G GRMF-GRMM 251	MP 160-161,190-191	RN 15	TAHL 219	01 W-ZP 44
AF 192	GUTADHCLIP 248	MP 193-197	RR 137	TC 137	01 X 22
AMR 137	H HC 242	MP(SB) 186	RS 111-122	TCSP 238	02 A 38
APCC 50	HCFC 244	MP(TLB) 187	RT (PBB) (A) 156	TI 224	02 B 37
APF-APM 159	HDCC 179	MP(SBOD) 187	RV-RVS-RVC 234	TM 133	02 APC 37
APR-APT 159	HDEC 227	MP(ATB) 189	RSSR 123-125	TMF 225	03 32
ASM 159	HDH 251	MP(TB) 192	RSFP RSFK 163	TMSP 239	03 FXM 34
ASO 18,253-258, 285	HDN-HFN 54	MPET 198	S SC 99	TN 52, 274	03 XM 35
ASR-AST 159	HHJN-HJN 55	MPH 225	SCH 250, 252	TNA 52	09 T 31
AWC 176-177,181,185	HN 56, 273	MPS 161	SCHCLIP 252	TPF 224	09 TEG 30
AWC-TAB 178,186	HNDIN 272	MPT 198	SCINSL 251	TRM 225	09 V 31
AWCF AWCF-A 177	HNPC-HNS 56	MRF-MRM 133, 136	SCM 278	TSN 49	25 101
B BR 162	HSC 243	MSP 233	SCN 53	TSP 126-127	29 F 16
C CAWC-(TAB),(VHB) 178	HSP 128	MTP 232	SCP 179	TAPM 219	29 M(R) 17
CC 172,173	HTSP 129	MWCA 181	SCVR 246	U UNFCPN 50	29 R-R(S) 17
CDC 184	I INDWIREKIT 248	MWC 184	SEAPM-SEWC 183	UNFLUG 50	29 RN 15
CGS-WS 235	INSTLHOOK 252	MWHA 283	SFW 60	USP 163	29 TL 18
CINCH 143	K KY 165	MXT 283	SGC 142	V VP (BM) 164	29 W 16
CM 224	KYP 235	N N 200	SGN 44,139-142	W W 16, 62-79	29 WN 15
CN 51,273	L LAD 230	NCC 209	SGN LPS 44	WA 169	31 48
CS 122	LB 199	NT, NTA 212-214	SHOK 252	WC 179	32 33
CT 212	LCN 51, 273	NTT 214	SJN 55	WCPM 185	32 W 33
CW 100	LCSP 238	NM 208,210-211,219,201	SKCDHK-RET 249	WFHN 274	33 A 39
CNSP 51	LEDSP 188	NPT 137	SL 222-223	WHA-WHB 182	34 29
D DBEZ 204	LEDH 188	NPTH 47	SLN 57	WN 15,58,275	36 MF 102, 280
DECOWN 59	LEDSRM 189	P P 200	SNC 149	WNA-WNC 58	38 SD 41
DGHC 245	LF-LGWH 171	PC 170	SNHK 249	WP 170	38 TR 40, 272
DLP 237	LLP 231	PHCET-PHCT 244	SP 103-109	WSP 163	38 TRPVC 40
DLWN 59,275	LMSP 239	PIF 146, 148	SPC 180	WTR 174	39 A 19
DM 133	LMTP 232	PJN 55	SPG 143	XT 158	39 F 19
DMSP-DSP 236	LN 57,273	PMF 153	SPNP-SPNN 53	XTS 156,157,158	39 R 19
DP 188	LP 44,199	PMPET-PMPT (JAW) 198	SPRINGW 98	MISC 01 ABTS 41	39 W 19
DPC 180	LPN-LPNS 44	POST, (PC) (NT) 134-135	SPRT 130-131	01 B 20	40 32,38,138,250
DWN 275	LSP 163,237	PP (BG) (BM) 164	SPW 202-203	01 CD 46	40 144-145,149
DRC 221	LTP 231	PP 135	SR 150,151	01 EYEB 47	40 167-168
E EXTPOLE 248	LTS 110	PPM 282	SS 131	01 F 21	50M D 259
EXPINDWIRE KIT 248	LWC 201	PPRT 154	SSP 163	01 FHWS 49	50M F 267
EZAB, EZABS(TAB) 205	M M TR 272	PR 152-153	STF-STM 132	01 G 36	50M G 266
EZF 181,206	M 17, 277	PRT 154	STMB 132	01 H 23	50M H 269
EZSFA 206	MDIN 277	PS 227	STS 226	01 LP 44	50M I 268
EZLB 207	ME 279	PSS 153	SW 100	01 P 24	50M J 261
EZS 205,207	MF 102, 280	PTC 241	SWRC 184	01 P (PC) 42	50M K 260
F F 16	MG 200	PTI 240	SWS 80-97	01 W (PC) 42	50M L 263
FCC 175	MHSP 281	Q QB 169	SRRW 98	01 PW 45	50M M 262
FCPM 215	MLSW 276	QCC 174	SC (HW,H,K,R,P) 155	01 F (PC) 43	50M N 265
FGS-FGU 201	MLMPT 284	R R 17	SCOVERM 246	01 X (PC) 43	50M P 264
FLC 185	MLAD 227	RC 175	SOLC 201	01 R 25	50M R - 50M S 270
	MLSP 232	RCFB 183	SOWC 171	01 S 26	50M T 271

TERMS & CONDITIONS

MICRO PLASTICS, INC. ("Supplier") (U.S.)

1. GENERAL

- 1.1 These Terms and Conditions shall apply to the sale and supply of Products by the Supplier to the Customer.
- 1.2 The contract governing the sale and supply of Products by the Supplier to the Customer shall in each instance consist of (i) these Terms and Conditions, (ii) the Sales Sheet (if applicable), and (iii) the Confirmation (if applicable), which shall be to the express exclusion of any other terms and conditions (including any Customer terms and conditions) referred to in any negotiations, the Confirmation, or course of dealing between the parties.
- 1.3 The Supplier reserves the right to modify these Terms and Conditions at any time to reflect changes in how the Supplier accepts payment from the Customer, changes in relevant laws and regulatory requirements and any other circumstances which are reasonable in the Supplier's opinion. If the Supplier modifies these Terms and Conditions, the Supplier will post the modification on its website and/or notify the Customer of the modified Terms and Conditions. The Supplier will also update the "last updated" date at the top of these Terms and Conditions. Every time the Customer orders Products from the Supplier, the Terms and Conditions published on the Supplier's website at that time or previously notified by the Supplier to the Customer will apply to the applicable Contract.

2. DEFINITIONS AND INTERPRETATION

- 2.1 In these Terms and Conditions:

"Confirmation"	has the meaning given in clause 3.4.2;
"Contract"	means each individual contract formed pursuant to clause 3.4 and which consists of those documents specified in clause 1.2;
"Customer"	means the person purchasing Products pursuant to orders placed in accordance with clause 3;
"Delivery"	means the delivery of the Products in accordance with clause 8.1 or 8.2 (as applicable);
"Export Controls"	means all laws, regulations, codes and controls on the import and export of goods and services in and out of a country or relevant administrative area or applied by reason of the country of origin of the Products or part of them, including the United States' Export Administration Regulations, the International Traffic in Arms Regulations, the United Kingdom's and European Union's military and dual-use lists and any similar list each as amended, supplemented or substituted from time to time;
"Group"	means in relation to a company, that company and any subsidiary and any holding company of that company and any subsidiary of any such holding company in each case from time to time;
"Intellectual Property Rights"	means patents, utility models, rights in invention, copyright and neighbouring and related rights, database rights, moral rights, design rights, trademarks, trade names and get-up, goodwill, know-how, confidential information and other intellectual property rights, whether registered or unregistered and including all applications for the grant of the foregoing and all rights or forms of protection having similar or equivalent effect to any of the foregoing which may subsist anywhere in the world;
"Materials"	has the meaning given in clause 4.1;
"Permitted Method"	means email, telephone, electronic data interchange or any other method of communication between the parties which is permitted by the Supplier from time to time;
"Products"	means the products made available for sale (and, if applicable sold) by the Supplier from time to time and (to the extent applicable) as set out in the Sales Sheet and/or Confirmation;
"Restricted Party"	means a person or entity that is listed on, owned or controlled by, or acting on behalf of, a person listed on a Sanctions List, or otherwise a subject of Sanctions;
"Sales Sheet"	means the Supplier's pro forma document which can be used to detail certain commercial terms of the Contract which may be formed when the Supplier accepts an order placed by the Customer;
"Sample"	means a sample of the Product provided by the Supplier to the Customer;
"Sanctions Authority"	means (a) the Security Council of the United Nations; (b) the Department of State, the Department of the Treasury and the Office of Foreign Assets Control of the United States of America; (c) the Council and the Commission of the European Union; (d) Her Majesty's Treasury of the United Kingdom; and (e) any other relevant governments, departments, authorities, institutions or agencies;
"Sanctions List"	means the Specially Designated Nationals and Blocked Persons list maintained by the United States' Office of Foreign Assets Control, the Consolidated List of Financial Sanctions Targets maintained by Her Majesty's Treasury, or any similar list maintained by or public announcement of a Sanctions designation made by, a Sanctions Authority, each as amended, supplemented or substituted from time to time;
"Sanctions"	means any trade, economic or financial sanctions laws, regulations, embargoes or restrictive measures administered, enacted or enforced by a Sanctions Authority;
"Specification"	means the specification of the relevant Product which may be applicable pursuant to clause 5.3;
"Supplier"	means the Essentra group company named at the beginning of these Terms and Conditions;
"Terms and Conditions"	means these terms and conditions as updated and varied from time to time; and
"Working Days"	means any day other than a Saturday, Sunday or public holiday in the country in which the Supplier is located.

- 2.2 In these Terms and Conditions: (i) a "party" means the Supplier or the Customer (as applicable) and "parties" means both of them, (ii) headings are for convenience only and shall not affect its interpretation, (iii) references to a "person" include any individual, company, corporation, firm, partnership, association, organisation, institution, trust or agency, whether or not having a separate legal personality, (iv) words in the singular shall include the plural and vice versa as the context admits or requires, (v) any reference to any statute or statutory provision shall, unless the context otherwise requires, be construed as a reference to that statute or statutory provision as from time to time amended, consolidated, modified, extended, re-enacted or replaced, (vi) the word "including" shall, unless the context otherwise requires, mean "including without limitation", and (vii) "in writing" includes by email or other written Permitted Method.

3. ORDER AND CONFIRMATION

- 3.1 The Supplier shall supply Products ordered by the Customer from time to time in accordance with these Terms and Conditions.
- 3.2 Each order placed by the Customer shall be deemed to be a separate offer to purchase Products under these Terms and Conditions which the Supplier shall be free to accept or decline at its absolute discretion.
- 3.3 Orders may be placed by the Customer in one of three ways:
 - 3.3.1 by completing a Sales Sheet which includes specific details of the Products required by the Customer (and which does not anticipate or require any subsequent call-off or other communication) and which is signed by both the Customer and the Supplier;
 - 3.3.2 by placing an order from time to time by a Permitted Method, where the order is governed by (and is made under) a previously agreed Sales Sheet; or
 - 3.3.3 by placing an order from time to time by a Permitted Method, but where a Sales Sheet has not been completed or agreed.
- 3.4 An order placed in the manner described in:
 - 3.4.1 clause 3.3.1 shall be deemed accepted by the Supplier on execution by both parties of the Sales Sheet; and

TERMS & CONDITIONS

- 3.4.2 clauses 3.3.2 or 3.3.3 shall be deemed accepted by the Supplier upon the sending by the Supplier of an order acknowledgement and confirmation by a written Permitted Method and which shall confirm the commercial terms of the order (a "Confirmation"), and in each case a separate contract will be formed upon such acceptance, save that there shall be deemed to be no acceptance where the price of the Product has been incorrectly quoted or stated by the Supplier in a Sales Sheet or Confirmation.
- 3.5 The Customer shall act in good faith and with accuracy if it forecasts its requirements for Products. Unless otherwise set out in a Sales Sheet, a product forecast shall be binding on the Customer and shall constitute an order for Products in accordance with clause 3.3.
- 3.6 Each Contract shall consist of these Terms and Conditions and (to the extent applicable) the Sales Sheet and the Confirmation, to the exclusion of any terms and conditions the Customer may seek to impose.
- 3.7 The Supplier reserves the right to decline to accept or to cancel any order for Products or to impose reasonable conditions prior to accepting any order (including the prior receipt of a letter of credit or cleared funds from the Customer) including where the Supplier considers it reasonably necessary for security or fraud prevention purposes or to comply with any applicable laws or regulations in the country of sale, distribution or use.
- 3.8 All orders placed by the Customer via the Supplier's website shall be subject to the terms and conditions specified on that website.
- 3.9 If a price quotation is provided by the Supplier in respect of any Products, the quotation shall remain valid for 30 days from the date it is given (unless otherwise specified by the Supplier) but shall not bind the Supplier until the applicable order is accepted by the Supplier in accordance with clause 3.4.
- 3.10 Once an order has been accepted by the Supplier it cannot be cancelled, varied or suspended by the Customer without the written agreement of the Supplier.
- 3.11 In the event of any conflict between the following, the order of precedent between them shall be as follows: (i) the Confirmation, (ii) the Sales Sheet, and (iii) these Terms and Conditions.

4. DESCRIPTIONS, SAMPLES AND LITERATURE

- 4.1 Unless otherwise confirmed by the Supplier in writing, nothing in any materials produced by or on behalf of the Supplier which includes images and/or descriptions of the Products (including website content, CAD files, technical drawings, product measurements and specifications, catalogue content or any other Product-specific imagery and information) ("Materials") is to be considered a representation of the source of origin, manufacturer or production of Products or any part of them.
- 4.2 Subject to clause 11.1 all information contained in the Materials are published for the sole purpose of giving the Customer an approximate idea of the Products described in them and will not be relied on by the Customer or form part of the Contract except as otherwise expressly provided in the Sales Sheet and/or the Confirmation.
- 4.3 Any typographical, clerical or other manifestly obvious error or omission in any quote, price list, Confirmation, label, packaging, invoice or other document or information issued by the Supplier may be corrected by the Supplier, without liability to the Customer, at any time either by correcting any such matter in public by publishing the correction on the Supplier's website or by notifying the Customer in writing and such correction shall be immediately binding upon the Customer.
- 4.4 Except as otherwise required by law, a Contract shall not be (i) a sale by Sample, even if Samples have been provided to the Customer, unless specified otherwise in the Sales Sheet or otherwise agreed and specified in the Confirmation, or (ii) a sale by description, even if a description has been provided.

5. FITNESS FOR PURPOSE AND SPECIFICATIONS

- 5.1 The Customer will undertake appropriate tests to ensure that the Products are fit for all of the Customer's purposes. Subject to clause 5.2, the Customer expressly acknowledges that, irrespective of any guidance provided to it by the Supplier, in determining whether the Product will be fit for all its purposes, it is not relying on (i) the Supplier's skill and judgement, or (ii) any Materials which are provided or made accessible by the Supplier to the Customer.
- 5.2 If the Customer wishes to rely on the Supplier's skill and judgement in relation to a Product being fit for a particular purpose then prior to placing an order the Customer must expressly advise the Supplier in writing of the particular purpose and that it wishes to rely on the Supplier's confirmation of fitness for purpose rather than conduct its own testing. The Supplier shall advise the Customer of any additional charges which will apply if such confirmation is given. The Customer shall only be entitled to rely on the Product being fit for a particular purpose if the Customer has provided all the information which the Supplier would need to undertake the requisite testing and the Supplier has expressly confirmed in the Sales Sheet and/or the Confirmation that the Product can fulfil a particular purpose.
- 5.3 A Specification in relation to a Product shall only take effect and form part of a Contract where specified in the Sales Sheet and/or the Confirmation (and in each case this may be facilitated by way of a cross-reference to a pre-agreed specification document). The parties may agree a process for producing and agreeing a Specification, which shall be set out in the Sales Sheet. A Specification may include (inter alia) details of the Products measurements, tolerances, regulatory compliance, packaging and compliance with quality standards.

6. PRICE

- 6.1 The price of Products shall be the price specified in the Sales Sheet or as otherwise agreed and specified in the Confirmation (as applicable). Prices specified in a Sales Sheet will be subject to review and possibly change from time to time in accordance with the mechanism specified in that Sales Sheet.
- 6.2 The Supplier will use its reasonable endeavours to ensure that prices are accurately specified in any quote and in the Materials.
- 6.3 The Supplier reserves the right to invoice sums in addition to the agreed price to reflect any increase in the cost to the Supplier of supplying any Products which is due to: (i) any increase in the cost of labour or materials (including any storage costs) as a consequence of Delivery of the Products not being in accordance with clause 8.1 or 8.2 (as applicable), (ii) any variation requested by the Customer to delivery dates, quantities, the Specification or the scope of the Supplier's instructions, (iii) any delay or additional work or materials caused by any erroneous instructions, neglect or default of the Customer, or (iv) any failure of the Customer to provide the Supplier with adequate and timely information, instructions, or specifications. Subject to the foregoing, prices charged will be those prevailing when an order is accepted.
- 6.4 Unless set out in the Sales Sheet or Confirmation, any reference to the price for Products is in U.S. Dollars and is exclusive of any VAT or other taxes or duties and of all costs and charges in relation to non-standard packaging, loading, unloading, carriage and insurance or similar costs, which (if any) shall be paid in addition by the Customer at the time it is due to pay for the Products. Where carriage or other costs to be borne by the Customer are paid by the Supplier, the Supplier shall be entitled to immediately render an invoice in respect of such costs.

7. PAYMENT

- 7.1 The Supplier shall at its discretion be entitled to invoice the Customer for payment of the price of any Products or any other amounts in advance. The Supplier reserves the right, where the Customer is required to pay for an order in advance, to suspend Delivery of any Products pending receipt of payment.
- 7.2 Unless otherwise set out in a Sales Sheet or Confirmation, payment of the Supplier's invoice is due by the Customer (without deduction, discount, abatement or set-off) within 30 days of the date of the invoice, notwithstanding that Delivery may not have taken place or that property in the Products has not passed to the Customer. Payment shall be made in the currency stipulated in the Sales Sheet or Confirmation (as applicable). Time for payment of sums due from the Customer shall be of the essence. No payment will be deemed received until received by the Supplier in

TERMS & CONDITIONS

cash or cleared funds.

- 7.3 Payment is to be made by the Customer via the payment method stipulated in the Sales Sheet or Confirmation (as applicable).
- 7.4 If the Customer is permitted to open a credit facility with the Supplier, it must furnish such information and references as may be requested by the Supplier and the Supplier may make a search with a credit reference agency in relation to the Customer. The Supplier reserves the right in its absolute discretion to grant, refuse or discontinue any credit facilities or reduce or suspend any credit facility at any time.
- 7.5 If any sums are not paid on or before the due date for payment, interest will accrue on the amount unpaid at the rate of six percent per annum above the base rate of (i) the bank specified in the Sales Sheet, or (ii) if no such bank is specified, the Wall Street Journal (or any successor). Such interest shall accrue on a daily basis from the due date until payment is made in full (both before and after any judgment).
- 7.6 If the Customer fails to make any payment when due pursuant to a Contract then, without prejudice to any other right or remedy available to the Supplier (including the right to charge interest pursuant to clause 7.5, the Supplier shall be entitled to: (i) deduct outstanding sums from any sums owed by the Supplier to the Customer under the Contract or otherwise, (ii) require the Customer to pay any costs of storage of the Products, (iii) suspend any further deliveries to the Customer under the Contract or any other contract between the parties until paid, (iv) resell any Products not yet delivered to the Customer, and/or (v) retain any sums paid as deposit for the Products.

8. DELIVERY

- 8.1 Where the Customer's order has been placed in the manner described in clauses 3.3.1 or 3.3.2, subject to anything specified to the contrary in the Sales Sheet or otherwise agreed and specified in the Confirmation, the Contract shall be Ex Works (Incoterms 2010) at the Supplier's premises and Delivery of the Products shall be effected accordingly. Additional details regarding the physical Delivery of the Products (including the date of collection by the Customer) may be agreed between the parties and set out in the Sales Sheet and/or Confirmation.
- 8.2 Where the Customer's order has been placed in the manner described in clause 3.3.3 (but subject to clause 8.3), Products will be sent to the Customer by a carrier service chosen by the Supplier, acting reasonably. Delivery of the Products to the Customer shall be effected by the Supplier delivering the Products to the carrier or by collection by the carrier. Thereafter, transport of such Products shall be subject to the carrier's conditions which shall be notified to the Customer if the Customer requests, and, subject to clause 10.1, the Supplier shall have no liability for the acts or omissions of the relevant carrier, unless otherwise agreed and specified in the Confirmation. The Supplier may deliver Products earlier than any agreed delivery date.
- 8.3 Where it is agreed and specified in the Confirmation that Products ordered in the manner described in clause 3.3.3 shall be delivered by a method other than that referred to in clause 8.2 then delivery shall be effected: (i) where the Products are to be collected by the Customer from the Supplier's premises, by the Supplier notifying the Customer that the Products are ready for collection, (ii) where the Products are delivered by the Supplier, by the Supplier delivering the Products to the address nominated by the Customer for delivery, or (iii) where the Products are to be transported by a third party, by collection by or delivery to that third party of the Products.
- 8.4 The remainder of this clause 8 shall apply to all Contracts regardless of the manner in which the order was placed by the Customer.
- 8.5 Unless otherwise set out in the Sales Sheet or Confirmation, any periods of time or dates quoted for Delivery of the Products are estimates only. The Supplier will use its reasonable endeavours to deliver the Products by the delivery date set out in the Sales Sheet or Confirmation (as applicable). If the Supplier is unable to meet the delivery date because of an event outside the Supplier's control, the Supplier will contact the Customer with a revised delivery date.
- 8.6 The Supplier may deliver up to 10 percent more or 10 percent less than the quantity of Products specified in the order and the Customer shall accept such variation in quantity and shall pay the agreed price as adjusted to reflect such variation in quantity. Where more than 10 percent or less than 10 percent of the quantity of Products specified in the order are delivered, the Customer and the Supplier shall discuss the excess supply or short supply (as the case may be) and (a) in the case of an excess supply: (i) if the Customer wishes to keep the additional Products, the Customer shall pay the agreed price as adjusted to reflect excess supply, or (ii) if the Customer does not wish to keep the additional Products, the Customer shall promptly return the additional Products in accordance with the Supplier's directions and at the Supplier's cost, or (b) in the case of a short supply: (i) if the Customer does not wish to be delivered additional Products to make up the order, the Customer shall pay the agreed price as adjusted to reflect short supply, or (ii) if the Customer wishes to take delivery of additional Products to make up the order, the Supplier shall (where available and in supply) promptly deliver such additional Products to the Customer. The quantity of any consignment of Products, as recorded by the Supplier, on dispatch from the Supplier's premises, shall be conclusive evidence of the quantity received by the Customer on Delivery, unless the Customer can provide conclusive evidence to the contrary.
- 8.7 The Supplier shall not be responsible for any losses incurred or suffered by the Customer as a result of a failure to deliver the Products or for short Delivery unless the Customer has informed the Supplier in writing within 12 days from the estimated date of Delivery (in relation to a failure to deliver) or on the actual date of Delivery (in relation to a short Delivery). In any event, where for any reason the Supplier is liable to the Customer for any such losses, the Supplier's liability shall be limited to: (i) the amount by which the price in the cheapest available market of similar goods to replace those not delivered exceeds the agreed price of the Products not delivered, or (ii) if there is no such market, an amount equal to the agreed price applicable in respect of the Products not delivered.
- 8.8 Where the Customer fails to take Delivery of the Products or fails to give the Supplier adequate Delivery instructions in advance of the time stated for Delivery (other than by reason of any cause beyond the Customer's reasonable control or by reason of the Supplier's neglect or default) then the Products shall be deemed to have been delivered at the time stated for Delivery and, without prejudice to any other right or remedy available to the Supplier, the Supplier may: (i) store the Products until actual Delivery and charge the Customer for the reasonable costs (including insurance) of storage, if applicable but without any obligation on the Supplier to procure insurance, or (ii) where the Customer has failed to take Delivery of the Products on or before the seventh day following the intended day for Delivery, sell the Products at the best price readily obtainable and (after deducting all reasonable storage and selling expenses) shall reimburse the Customer if the agreed price has already been paid by the Customer or invoice the Customer for any shortfall below the agreed price if payment has not yet been made.
- 8.9 Where the Products are to be delivered in instalments, each Delivery shall constitute a separate obligation and neither any failure by the Supplier to deliver nor any claim in respect of any one or more instalments by the Customer shall entitle the Customer to treat the Contract as a whole as repudiated.
- 8.10 If, upon Delivery of the Products, the Customer discovers that it has incorrectly ordered those Products, the Supplier's standard handling charge from time to time will be payable by the Customer if the Supplier agrees (at its sole discretion) to accept return of those Products (at the Customer's risk).
- 8.11 No returned Products from any source will be accepted by Supplier, without written approval, together with shipping instructions, from Supplier. If permission is granted by Supplier, the returned Goods will be subject to a 25 percent re-stock handling charge plus freight cost. Non-standard Products or fabricated items are not returnable in Supplier's sole and unfettered discretion. Unless otherwise agreed by Supplier, Products returned must be in their original, smallest, unopened packaging, or undamaged and in the same condition as when the Products were delivered to Customer.

9. RESTRICTED DELIVERY

- 9.1 The applicable Sales Sheet may specify that the Supplier does not deliver Products to addresses in certain countries. The Supplier may place an order for Products in those countries, but the order must be for Delivery to an address outside the prohibited countries.

TERMS & CONDITIONS

10. RISK AND PROPERTY IN THE PRODUCTS

- 10.1 Products supplied by the Supplier shall be at the Customer's risk when the Products are unloaded from the Supplier's carrier at the Customer's premise or, where the Products are collected by the Customer from the Supplier's premise (or any other location agreed between the parties), immediately upon being made available for collection. The Customer acknowledges that it is responsible for arranging appropriate insurance for the Products from the point at which it assumes risk.
- 10.2 Title (legal and beneficial) in all Products supplied shall be retained by the Supplier until the Supplier has received in either cash or cleared funds all sums due in respect of the Products.
- 10.3 Following risk in the Products passing to the Customer pursuant to clause 10.1, until such time as title in the Products passes to the Customer, the Customer must: (i) hold such Products (on a fiduciary basis for and on behalf of the Supplier) as the Supplier's bailee and act in good faith to protect the Supplier's interests in the Products, (ii) store such Products (at no cost to the Supplier) separately from all other goods of the Customer in such a way that such Products remain identifiable as property of the Supplier and shall not mix them with any other goods, (iii) not pledge or allow any lien, charge, or other interest to arise over the Products or their documents of title, (iv) not destroy or deface any identifying marks on such Products or relevant packaging and maintain such Products in satisfactory condition, and (v) keep such Products insured on the Supplier's behalf and in the event of any claim resulting from loss, theft or damage hold the proceeds of such insurance on trust for the Supplier.
- 10.4 In the event that the Customer fails to pay the price of the Products by the due date, the Supplier shall be entitled at any time to require the Customer to deliver up the Products to the Supplier prior to title in the Products passing to the Customer. The Customer grants the Supplier and its agents the right at any such time to enter any premises where the Products are stored to inspect or, if the Customer has failed to deliver up possession when requested by the Supplier, to repossess the Products.

11. QUALITY OF PRODUCTS

- 11.1 The Supplier warrants that on Delivery all Products will be of satisfactory quality and (if applicable) will conform to the Specification.
- 11.2 The warranty contained in clause 11.1 shall not apply unless:
 - 11.2.1 in respect of defects that are apparent on inspection of the Products, the Customer notifies the Supplier in writing, setting out in reasonable detail the nature of the breach of warranty within 14 days after Delivery;
 - 11.2.2 in relation to latent defects, the Customer notifies the Supplier in writing setting out in reasonable detail the nature of the breach of warranty within 14 days after the defect became apparent or ought to have become apparent to the Customer, and in any event within 6 months of the date of Delivery;
 - 11.2.3 after receiving such notice of the defect, the Supplier is given reasonable opportunity to inspect the Products and, at the Supplier's request (acting reasonably), the Products are returned to the Supplier's place of business (at the Customer's risk and cost) for the purpose of inspection;
 - 11.2.4 the total price for the Products has been paid by the Customer; and
 - 11.2.5 none of the events listed in clause 11.3 apply.
- 11.3 The Supplier shall not be liable for any breach of the warranty in clause 11.1 if:
 - 11.3.1 the Customer makes any further use of the Products after giving notice in accordance with clause 11.2;
 - 11.3.2 the defect arises because the Customer failed to follow the Supplier's oral or written instructions as to the storage, commissioning, installation, use and maintenance of the Products or (if there are none) good trade practice regarding the same;
 - 11.3.3 the defect arises as a result of the Supplier following any drawing, design or specific requirement or instructions supplied or approved by the Customer (including any such thing which may constitute (or form part of) the Specification);
 - 11.3.4 the Customer alters or repairs the Products without the written consent of the Supplier;
 - 11.3.5 the Customer makes further use of or resells a Product after the Supplier gives notice of a defect or the Customer fails to comply with the Supplier's reasonable instructions in relation to a Product hold or recall;
 - 11.3.6 the defect arises as a result of reasonable wear and tear, wilful damage, negligence, or abnormal storage or working conditions; or
 - 11.3.7 the Products differ from the Specification as a result of changes made to ensure they comply with applicable statutory or regulatory requirements.
- 11.4 If the Customer fails to give notice of rejection in accordance with clause 11.2, it shall be deemed to have accepted the Products.
- 11.5 If the Customer rejects Products under clause 11.2 then the Customer shall be entitled to: (i) require the Supplier to repair or replace the rejected Products, or (ii) require the Supplier to repay the price of the rejected Products in full. Once the Supplier has complied with the Customer's requirement, it shall have no further liability to the Customer in respect of the rejected Products' failure to comply with clause 11.1.
- 11.6 The terms of the Contract shall apply to any repaired or replacement Products supplied by the Supplier. All Products which have been replaced pursuant to clause 11.5 shall belong to the Supplier.
- 11.7 To the extent permitted by law and subject to clauses 12.5, the requirement to provide the remedy contained in clause 11.5 shall be the sole extent of the Supplier's liability arising out of or in connection with any breach of clause 11.1 or any other claim relating to the quality of the Products.
- 11.8 The Customer shall comply with all reasonable instructions of the Supplier in relation to any Product hold or Product recall campaign organised in respect of any Products or any other corrective action reasonably taken by or on behalf of the Supplier in respect of the Products after Delivery to the Customer. Unless required by law, the Customer may not undertake any Product recall or withdrawal without the written permission of the Supplier and only then in strict compliance with the Supplier's instructions as to the process of implementing the withdrawal.

12. LIMITATION OF LIABILITY

- 12.1 For the purposes of this clause 12, a "Claim" means a claim arising out of or in connection with the supply of any Products to the Customer or as a result of breach of a Contract or of any duty of any nature whatsoever by the Supplier or pursuant to any use made by the Customer or resale by the Customer of any Products (or of any product incorporating any of the Products) or as a result of any representation, statement, act or omission including negligence or breach of statutory duty arising under or in connection with a Contract.
- 12.2 Subject to clause 12.5, the Supplier's aggregate liability (including any liability for the acts or omissions of its employees, agents, sub-contractors or other members of its Group) to the Customer for all Claims shall be limited as follows:
 - 12.2.1 the Supplier's aggregate liability for a Claim in relation to any single item of Product shall be limited to the price payable by the Customer for that item; and
 - 12.2.2 the Supplier's aggregate liability to the Customer for all other Claims brought in any calendar year shall be limited to the total amount paid by the Customer to the Supplier for Products during that calendar year.
- 12.3 Subject to clause 12.5, the Supplier shall not be liable to the Customer for any (a) indirect losses, (b) economic loss, (c) loss of profits or anticipated profits, (d) loss of anticipated savings, (e) loss of business or of expected future business, (f) damage to reputation or goodwill, or (g) punitive, exemplary, treble, special, indirect, incidental or consequential loss, which in each case arises under or in connection with a Contract.
- 12.4 Notwithstanding anything herein to the contrary and to the fullest extent permitted by law, all implied warranties, including but not limited to, the implied warranties of merchantability, non-infringement, or fitness or suitability for any particular purpose or use, are excluded from a Contract and, subject to clause 12.5, the Supplier will not be liable to the Customer for any loss of any kind whatsoever which arises out of the breach of implied warranties, terms or conditions, or breach of any duty of any kind imposed on the Supplier by operation of law.

TERMS & CONDITIONS

- 12.5 Nothing in these Terms and Conditions shall exclude or limit the Supplier's liability in respect of (i) any death or personal injury caused by its gross negligence, (ii) any fraud or fraudulent misrepresentation, or (iii) any other liability to the extent that it may not be so excluded or limited by law.
- 12.6 If the Customer becomes aware that any third party has made or appears likely to make any claim against the Customer in respect of the Products (including as to defects in them or rights infringed by them) it shall: (i) promptly notify the Supplier of such claim or circumstance, (ii) promptly take such action as the Supplier may reasonably request to avoid, dispute, defend, mitigate, resist, appeal or compromise such claim or circumstance including to allow the Supplier to take full control of any proceedings or negotiations in connection with the claim, and (iii) not settle or compromise, make any admissions, nor agree any matter in the conduct of any dispute, without the prior written approval of the Supplier.
- 12.7 The Customer acknowledges that the limitations of liability set out in these Terms and Conditions are reasonable and reflect the commercial intentions of the parties in the context of the anticipated earnings of the Supplier under a Contract and the ability of the Customer to protect itself through insurance.

13. EVENTS OUTSIDE THE SUPPLIER'S CONTROL

- 13.1 The Supplier will not be in breach of the terms of a Contract for any delay in performing, or failure to perform, its obligations under the Contract if that failure or delay was due to any cause or circumstance beyond the Supplier's reasonable control, which shall, without limiting the generality of the term, include war or other action of military forces, terrorism, riot, civil commotion, sabotage, vandalism, accident, break down or damage to machinery or equipment, fire, flood, severe adverse weather, acts of God, strike, lock-out or other industrial disputes or shortage of materials at the market rates existing when the Contract is made, legislative or administrative interference (including, for example, Sanctions, embargos and Export Controls) or was due to any failure, neglect or delay on the part of the Customer or its agents or representatives.
- 13.2 The Supplier reserves the right to defer the date of Delivery or to terminate the Contract or reduce the volume of the Products ordered by the Customer (with an appropriate reduction in the price payable by the Customer) if it is prevented from or delayed in the carrying on of its business due to an event referred to in clause 13.1 occurring, and where the event in question continues for a continuous period in excess of 30 days either party shall be entitled to give notice in writing to the other to terminate the Contract with no liability due to or by either party.

14. TERMINATION

- 14.1 Without affecting any other rights and remedies, the Supplier may immediately terminate a Contract if: (i) the Customer fails to pay any sum due under the Contract by the due date for payment and remains in default not less than 14 days after being notified in writing by the Supplier to make such payment, (ii) the Customer materially breaches any term of the Contract, (iii) the Customer makes any composition or voluntary arrangement with its creditors or any step, application, order, proceeding or appointment is made or taken by or in respect of the Customer (including the making of an application or the giving of any notice) by the Customer or any other person for a distress, execution, winding up, dissolution, or to appoint an administrator of the Customer or (being an individual or firm) becomes bankrupt or (being a company) goes into liquidation (otherwise than for the purposes of a solvent amalgamation or reconstruction), (iv) an encumbrance takes possession, or a receiver (administrative or otherwise) is appointed, of any of the property or assets of the Customer, or the Customer ceases, or threatens to cease, to carry on business, or (v) the Supplier possesses bona fide and justifiable reason to believe that any of the events specified in (iii) or (iv) above is likely to occur and notifies the Customer accordingly.
- 14.2 Where the Supplier terminates the Contract in accordance with clause 14.1, without prejudice to clauses 10.3 or 10.4 or to any other right or remedy available to the Supplier: (i) the Supplier shall be entitled to terminate any other contract or suspend any further deliveries under any other contract between the parties, (ii) where the Products have been delivered, but not paid for, the Customer's right to possession shall terminate and the Supplier may dispose or use any of the Products as it wishes, and (iii) the price for the Products shall become immediately due and payable notwithstanding any previous agreement or arrangement to the contrary.
- 14.3 Termination of the Contract, for whatever reason, shall not affect any of its provisions which are expressed or are intended to continue to have effect after it has come to an end.

15. INDEMNITY

- 15.1 Without prejudice to the Supplier's other rights and remedies and to the fullest extent permitted by law, the Customer shall indemnify and keep indemnified the Supplier, its Group and its employees and agents on demand in full against any loss, liability, damage, costs, claims and expenses (including but not limited to attorney's fees, expert's fees and expenses of litigation) incurred or suffered as a result of: (i) any claim brought by any third party in respect of losses, injury or damage caused by any Products which, following Delivery, have been subjected to any use other than the authorised use for the Products (being the use for which the Products are commonly supplied) or modified or repaired by a person other than the Supplier, (ii) any allegation or claim made against the Supplier by a third party in relation to the actual or purported infringement of that third party's Intellectual Property Rights due to the incorporation into a Product design of any requirements, designs, specifications or other materials (including third party components) stipulated or provided by the Customer, (iii) the negligence of Customer, and (iv) the breach by Customer of any of the terms and conditions of this Contract.

16. INTELLECTUAL PROPERTY RIGHTS

- 16.1 Save where otherwise agreed in a Sales Sheet and/or Confirmation, the Supplier and/or the Supplier's licensors shall own all Intellectual Property Rights in the Products, Catalogue and any Materials.
- 16.2 The Customer is not granted any rights or licence in respect of the Products, other than the right to use or resell the Products in the Customer's ordinary course of business and otherwise in accordance with the terms and conditions of the Contract.
- 16.3 The Supplier grants to the Customer a limited, non-exclusive, non-transferable licence, without the right to sublicense, to access and view and (unless shown as not permitted) download and print the Materials in each case solely for the Customer's personal purposes.
- 16.4 The Customer shall not use, copy, adapt, transmit, distribute, modify, publish, reverse engineer, create derivative works based upon, distribute, licence, sell, transfer, publically perform, broadcast, communicate to the public or otherwise exploit the Materials except as expressly permitted in these Terms and Conditions or otherwise without the Supplier's prior written consent.

17. EXPORT CONTROLS AND SANCTIONS

- 17.1 The Customer warrants and represents that neither it, nor any of its Group, nor any directors, officers or employees of any of its Group: (i) is a Restricted Party or is engaging in or has engaged in any transaction or conduct that could result in it becoming a Restricted Party, (ii) has engaged or is engaging, directly or indirectly, in any trade, business or other activities with, for the benefit of, or on behalf of, any Restricted Party, (iii) has violated or is violating applicable laws, statutes, regulations and codes relating to Export Controls or Sanctions.
- 17.2 The Customer acknowledges that some of the Products, their components and technologies may be subject to Export Controls and Sanctions. The Customer shall: (i) comply with Export Controls and Sanctions applicable to both the Supplier and the Customer, (ii) not export, re-export, transfer or trade, directly or indirectly, with or to any Restricted Party nor any person or entity incorporated or located in any country subject to Sanctions, (iii) obtain at its cost any licence, permit, notification or authorisation required to sell, export, re-export, transfer or import the Products, their components and technologies, and (iv) ensure that the end-use of the Products will not breach any Export Controls or Sanctions, including weapons of mass destruction and military end-use controls.

TERMS & CONDITIONS

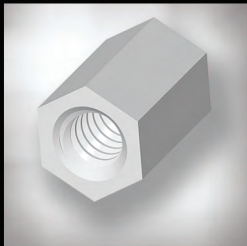
18. GENERAL

- 18.1 The Customer shall at all times: (i) respond promptly to any request for guidance or instruction which is reasonably required by the Supplier to enable it to perform its obligations under a Contract; (ii) co-operate and liaise with the Supplier as necessary or desirable for the performance of a Contract, and (iii) promptly provide the Supplier with all documents and information in the Customer's possession or control which the Supplier reasonably requires in order to comply with its internal and Group policies and with all applicable laws and regulatory requirements (including all documents and information associated with know your customer checks).
- 18.2 The Contract contains the entire agreement and understanding of the parties and supersedes all prior agreements, understandings or arrangements (both oral and written) in respect of the Products. The Customer acknowledges that it is entering into the Contract without reliance on any under taking, warranty, or representation given by or on behalf of the Supplier, other than as expressly contained in the Contract (or any document expressly incorporated into the Contract). This clause 18.1 is subject to clause 12.5(iv).
- 18.3 The parties acknowledge that in performing their obligations hereunder, each party is acting as an independent contractor. Nothing in this Contract shall be construed to create a partnership, joint venture, franchise or other similar arrangement between the parties. Neither party has the authority to enter into any agreement, or make any warranty or representation on behalf of the other party, except where and to the extent specifically authorized to do so in writing. To the extent that either party utilizes its employees for the performance of its duties pursuant to this Contract, that party shall be solely responsible for the payment of salaries and wages to such employees and matters relating thereto (including the withholding and/or payment of all federal, state and local income and other payroll taxes), workers compensation, disability benefits, and all such other legal requirements of like nature applicable to such employees.
- 18.4 The Customer shall not transfer, assign, sub-contract or deal in any other similar manner any of its rights or obligations under the Contract or puport to do any of the same.
- 18.5 Any notice shall be in writing and addressed to the other party at, in the case of the Supplier, the address or email address specified in the Sales Sheet and/or Confirmation (as applicable) and in the case of the Customer at the address or email address specified in the Sales Sheet or (if that is not applicable) at its registered address or an email address it may have used to place an order for Products with the Supplier. Hand delivered notices shall take effect immediately; postal notices, two Working Days after posting by first class post (five Working Days if sent by airmail post); and notice sent by email, at the date and time the email is sent (unless an out-of-office message is received by the sending party, in which case notice will not have been validly served).
- 18.6 The invalidity, illegality or unenforceability of any provision of these Terms and Conditions shall not affect the other provisions and the Contract shall be given effect as if the invalid, illegal or unenforceable provision had been deleted.
- 18.7 Where the Contract is entered into in the manner described in clause 3.3.1, the Sales Sheet may be executed in any number of counterparts and by the parties on separate counterparts, but shall not be effective until each party has executed at least one counterpart. Each counterpart, when executed, shall be an original, but all counterparts shall together constitute one and the same instrument.
- 18.8 No variation of the Contract shall be effective unless it is made in writing, refers specifically to the Contract and is signed by both of the parties.
- 18.9 No waiver of any term, provision or condition of the Contract shall be effective, except where it is clearly made in writing and signed by the waiving party. No waiver of any particular breach of the Contract shall be held to be a waiver of any other or subsequent breach.
- 18.10 No omission or delay on the part of any party in exercising any right, power or privilege under the Contract shall operate as a waiver by it or of any right to exercise it in future or of any other of its rights under the Contract.
- 18.11 The rights and remedies arising under, or in connection with, the Contract are cumulative and, except where otherwise expressly provided in the Contract do not exclude rights and remedies provided by law or otherwise.
- 18.12 This Contract shall be construed and enforced in accordance with, and the rights of the parties shall be governed by, the laws of the State of Illinois (not including the choice of law rules thereof). The United Nations Convention on the International Sale of Goods shall not apply to the Contract. To the extent relevant pursuant to clause 8.1 the international rules for the interpretation of trade terms prepared by the International Chamber of Commerce (Incoterms) shall apply (unless agreed otherwise) but where they conflict with the Contract, the Contract shall prevail.
- 18.13 Subject to clause 18.14, any and all disputes, complaints, controversies, claims and grievances arising under, out of, in connection with, or in any manner related to this Contract or the relationship of parties hereunder shall be settled by binding arbitration in accordance with the Commercial Arbitration Rules of the American Arbitration Association. The obligation to arbitrate shall extend to any affiliate, subsidiary, officer, employee, shareholder, principal, agent, trustee in bankruptcy or guarantor of a party making or defending any claim hereunder. Any decision and award of the arbitrator shall be final, binding and conclusive upon all of the parties hereto and said decision and award may be entered as a final judgment in any court of competent jurisdiction. Notwithstanding said Rules, any arbitration hearing to take place hereunder shall be conducted in Chicago, Illinois, before one (1) arbitrator who shall be an attorney who has substantial experience in commercial law issues. However, neither party shall institute an arbitration, or any other proceeding to resolve such disputes between the parties before that party has sought to resolve disputes through direct negotiation with the other party. If disputes are not resolved within three (3) weeks after a demand for direct negotiation, the parties shall attempt to resolve disputes through mediation conducted in Chicago, Illinois. If the parties do not agree on a mediator within ten (10) days, either party may request the American Arbitration Association to appoint a mediator who shall be an attorney who has substantial experience in commercial law issues. If the mediator is unable to facilitate a settlement of disputes within forty-five (45) days, the mediator shall issue a written statement to the parties to that effect and the aggrieved party may then seek relief through arbitration as provided above. The fees and expenses of the mediator shall be split and paid equally by each of the parties. In the event of any arbitration between the parties hereto involving this Contract or the respective rights of the parties hereunder, the party who does not prevail in such arbitration shall pay all the prevailing party's reasonable attorneys' and experts' fees, costs and expenses incurred by the prevailing party in resolving said matter. As used herein the term 'prevailing party' shall include, but not be limited to, a party who obtains legal counsel or brings an action against the other by reason of the other's breach or default and obtains substantially the relief sought whether by compromise, settlement, or judgment. Each party hereby consents to a single, consolidated arbitration proceeding of multiple claims, or claims involving two (2) or more parties. Either party may apply to any court of competent jurisdiction for injunctive relief or other interim measures as provided for elsewhere in this Contract, in aid of the arbitration proceedings, or to enforce the arbitration award, but not otherwise. Any such application to a court shall not be deemed incompatible or a waiver of this provision. The arbitrator shall be required to make written findings of fact and conclusions of law to support its award. Except as may be required by law, neither a party nor an arbitrator(s) may disclose the existence, content, or results of any arbitration hereunder without the prior written consent of both parties. By execution of this Agreement, the Customer consents to the jurisdiction of the American Arbitration Association and waives any objection which Customer may have to any proceeding so commenced based upon improper venue or forum non conveniens.
- 18.14 Nothing in this clause 18 shall limit the right of the Supplier to take proceedings against the Customer in any other court of competent jurisdiction, nor shall the taking of proceedings in any one or more jurisdiction preclude the Supplier from taking proceedings in any other jurisdiction, whether concurrently or not, to the extent permitted by the law of such other jurisdiction.

plugs



spacers



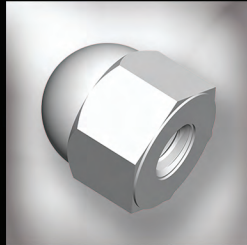
rivets



bushings



nuts



DISTRIBUTORS
IN 37 COUNTRIES

micro plastics intl.



premier global manufacturer of plastic fasteners

POSTS P.C.B. SUPPORT Wing PRESS-LOC KNOBS
P-LOCKING zinc plated steel alloy TRI SOCKET HD. CAP SCREW METRIC ROUND
"S" HOOK Thumb Screw INSULATORS
FEMALE • Self-Threading • MALE CAT #41 NYLON DOME & TACK WRAP SAFETY
Plastic FASTENERS MOLDED Standoff WIRE HANDLING
WIRE ROUTING KIT Hardware



TIE Beaded Tie TWIST-LOC Adhesive Backed
CRADLE CLIP PUSH TIE mount PIPE PLUG Grommet SNAP Clamp SNAP RIVETS
SHOULDER WASHER HOOKS METRIC CORD HOOK and RETAINER
micro plastics,® inc.
Strain Relief LAMP CORD Metal Core
miniature INSULATING LAMP SNAP SCREWS
BUSHING NESTING CONTAINER SPECIAL ROUND STD. LED COVERED
All-Fit ADJUSTABLE PNEUMATIC Anti-Twist SPACERS MALE FEMALE STANDOFF SNAP-IN
DOUBLE GRIP HOSE CLAMP TOOLS