

GlobTek, Inc. www.globtek.com 186 Veterans Drive, Northvale, NJ 07647 Tel. (201) 784-1000 Fax (201) 784-0111	Drawing Title: USBC with E-marker (5A) or Equal (EBEN:W-DY-034) + (Top-Case and Bottom-Case) to USBC without E-marker (5A) or Equal (EBEN:W-DY-035) + (Top-Case and Bottom-Case), GT Cable #28AWG*1P+19AWG*2C+30AWG*2C+AEB JACKET: NYLON BRAIDED FABRIC USB2.0, BLACK: SEE CODE / 6+Shell Conductors, 5.4mm OD, 80 Deg.C, Red/White/Green/Black/Yellow/Blue/Shell (Braid Drain), 2000±25mmGlobTek Black	
	Model No. Low voltage cable	
	Part No./Ordering No. USBCE5ABR2M0USBCB(R)	Rev A

CUSTOMIZED LENGTHS, COLORS, CABLE TYPES, TERMINATIONS/PLUGS/RECEPTACLES AVAILABLE UPON REQUEST. ADDITIONAL PLUG OPTIONS ARE AVAILABLE AT <https://www.globtek.com/connectors/> STANDARD PLUGS AND CONNECTORS CAN BE SEEN ONLINE AT <https://www.globtek.com/connectors/> ACTUAL CONNECTORS, OVERMOLDS, FERRITES MAY VARY SLIGHTLY FROM THE PICTURE BELOW DIMENSIONS ARE IN MM UNLESS SPECIFIED OTHERWISE

In Addition to GlobTek Inc.'s renewed ISO9001:2008 - Quality Management System Certification, GlobTek Inc. is now certified to:

ISO13485:2003 - Medical Devices Quality Management System Certification
 ISO14001:2004 - Environmental Management System Certification

ISO Certificates are available online at <https://www.globtek.com/iso-certificates/>

Prop 65 Statement: <https://en.globtek.com/prop-65-statement.pdf>

The acceptance of this specification and use of the product described in this document indicates the acceptance and binding of the customer to Globtek TERMS AND CONDITIONS (attached to the end of this document), which supersede all other agreements, terms, and conditions (<https://en.globtek.com/terms-and-conditions/>).

The purchaser of this product (Customer) agrees that it is their sole responsibility to determine suitability/fitness of the product described in this specification for their application and to take precautions for protection against any hazards attendant to the handling and use of the product.

Footnote:

GlobTek Inc. will not be liable for the safety and performance of these power supplies if unauthorized access and repair occurs. End user should consult applicable UL, CSA or EN standards for proper installation instruction.

Limitation of Use:

GlobTek products are intended for use with commercial, medical, and/or industrial equipment only. GlobTek product are not authorized for use as mission critical components in life support hazardous environment, nuclear or aircraft applications without prior written approval from the CEO of GlobTek Inc.
 Contents of this document are subject to change without prior notice.

Customer Approval of Specification:

Please approve, sign and send back to GlobTek so we can complete order processing.
 A delay in receipt of this form will delay delivery schedule.

Company Name: _____	Customer P/N: _____
Quote Number: _____	Date: _____
Authorized Representative Name: _____	Authorized Representative Signature: _____

GlobTek, Inc. www.globtek.com 186 Veterans Drive, Northvale, NJ 07647 Tel. (201) 784-1000 Fax (201) 784-0111	Drawing Title: USBC with E-marker (5A) or Equal (EBEN:W-DY-034) + (Top-Case and Bottom-Case) to USBC without E-marker (5A) or Equal (EBEN:W-DY-035) + (Top-Case and Bottom-Case), GT Cable #28AWG*1P+19AWG*2C+30AWG*2C+AEB JACKET: NYLON BRAIDED FABRIC USB2.0, BLACK: SEE CODE / 6+Shell Conductors, 5.4mm OD, 80 Deg.C, Red/White/Green/Black/Yellow/Blue/Shell (Braid Drain), 2000±25mmGlobTek Black	
	Model No. Low voltage cable	
	Part No./Ordering No. USBCE5ABR2M0USBCB(R)	Rev A

CUSTOMIZED LENGTHS, COLORS, CABLE TYPES, TERMINATIONS/PLUGS/RECEPTACLES AVAILABLE UPON REQUEST. ADDITIONAL PLUG OPTIONS ARE AVAILABLE AT <https://www.globtek.com/connectors/> STANDARD PLUGS AND CONNECTORS CAN BE SEEN ONLINE AT <https://www.globtek.com/connectors/> ACTUAL CONNECTORS, OVERMOLDS, FERRITES MAY VARY SLIGHTLY FROM THE PICTURE BELOW DIMENSIONS ARE IN MM UNLESS SPECIFIED OTHERWISE

REVISION HISTORY

REV	DESCRIPTION	SUB	DATE	APPROVED
A	Initial release	QA	12/13/2023	QA

Cordset Information:

CordsetColor:GlobTek Black

Cord Length (mm):2000±25

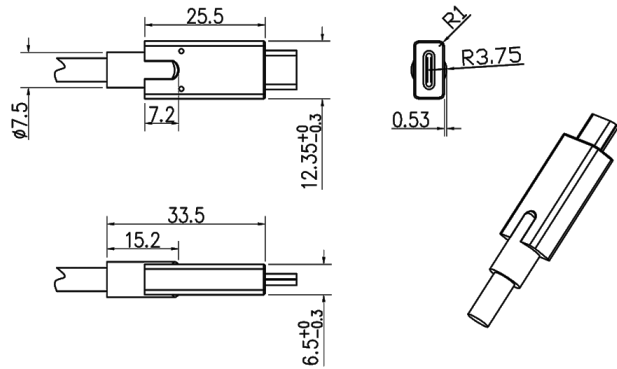
NOTES:

ACTUAL CONNECTORS, OVERMOLDS, FERRITES MAY VARY SLIGHTLY FROM THE PICTURE BELOW

GlobTek, Inc. www.globtek.com 186 Veterans Drive, Northvale, NJ 07647 Tel. (201) 784-1000 Fax (201) 784-0111	Drawing Title: USBC with E-marker (5A) or Equal (EBEN:W-DY-034) + (Top-Case and Bottom-Case) to USBC without E-marker (5A) or Equal (EBEN:W-DY-035) + (Top-Case and Bottom-Case), GT Cable #28AWG*1P+19AWG*2C+30AWG*2C+AEB JACKET: NYLON BRAIDED FABRIC USB2.0, BLACK: SEE CODE / 6+Shell Conductors, 5.4mm OD, 80 Deg.C, Red/White/Green/Black/Yellow/Blue/Shell (Braid Drain), 2000±25mmGlobTek Black
	Model No. Low voltage cable
Part No./Ordering No. USBCE5ABR2M0USBCB(R)	Rev A

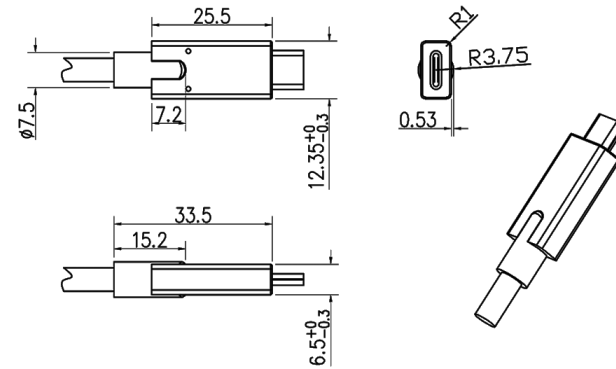
CUSTOMIZED LENGTHS, COLORS, CABLE TYPES, TERMINATIONS/PLUGS/RECEPTACLES AVAILABLE UPON REQUEST. ADDITIONAL PLUG OPTIONS ARE AVAILABLE AT <https://www.globtek.com/connectors/> STANDARD PLUGS AND CONNECTORS CAN BE SEEN ONLINE AT <https://www.globtek.com/connectors/> ACTUAL CONNECTORS, OVERMOLDS, FERRITES MAY VARY SLIGHTLY FROM THE PICTURE BELOW DIMENSIONS ARE IN MM UNLESS SPECIFIED OTHERWISE

END A



[Mates with GlobTek USB Type C Jacks](#)

END B



[Mates with GlobTek USB Type C Jacks](#)

GlobTek, Inc. www.globtek.com 186 Veterans Drive, Northvale, NJ 07647 Tel. (201) 784-1000 Fax (201) 784-0111	Drawing Title: USBC with E-marker (5A) or Equal (EBEN:W-DY-034) + (Top-Case and Bottom-Case) to USBC without E-marker (5A) or Equal (EBEN:W-DY-035) + (Top-Case and Bottom-Case), GT Cable #28AWG*1P+19AWG*2C+30AWG*2C+AEB JACKET: NYLON BRAIDED FABRIC USB2.0, BLACK: SEE CODE / 6+Shell Conductors, 5.4mm OD, 80 Deg.C, Red/White/Green/Black/Yellow/Blue/Shell (Braid Drain), 2000±25mmGlobTek Black	
	Model No. Low voltage cable	
	Part No./Ordering No. USBCE5ABR2M0USBCB(R)	Rev A

CUSTOMIZED LENGTHS, COLORS, CABLE TYPES, TERMINATIONS/PLUGS/RECEPTACLES AVAILABLE UPON REQUEST. ADDITIONAL PLUG OPTIONS ARE AVAILABLE AT <https://www.globtek.com/connectors/> STANDARD PLUGS AND CONNECTORS CAN BE SEEN ONLINE AT <https://www.globtek.com/connectors/> ACTUAL CONNECTORS, OVERMOLDS, FERRITES MAY VARY SLIGHTLY FROM THE PICTURE BELOW DIMENSIONS ARE IN MM UNLESS SPECIFIED OTHERWISE

End A Code:USBC with E-marker 5A - USB00016 (Molded PVC 60P Black) Description:USBC with E-marker (5A) or Equal (EBEN:W-DY-034) + (Top-Case and Bottom-Case) Rating (V):20 Rating (A):5.0 Gender:Male Overmolded:Yes	Cable Code:#28AWG*1P+19AWG*2C+30AWG*2C+AEB JACKET: NYLON BRAIDED FABRIC USB2.0, BLACK Description:GT Cable #28AWG*1P+19AWG*2C+30AWG*2C+AEB JACKET: NYLON BRAIDED FABRIC USB2.0, BLACK: SEE CODE / 6+Shell Conductors, 5.4mm OD, 80 Deg.C, Red/White/Green/Black/Yellow/Blue/Shell (Braid Drain), Color:GlobTek Black Wire Gauge(AWG):SEE CODE Cond:6+Shell Type: Temperature:80° C Amps: Volts: OD:5.4 ConductorsColors:Red/White/Green/Black/Yellow/Blue/Shell (Braid Drain) Min # of bending tests passed:	End B Code:USBC without E-marker 5A - USB00016 (Molded PVC 60P Black) Description:USBC without E-marker (5A) or Equal (EBEN:W-DY-035) + (Top-Case and Bottom-Case) Rating (V):20 Rating (A):5.0 Gender:Male Overmolded:Yes
---	--	---

Overall cable rating:20V 3A

Plug Approvals	Cable Approvals	Connector Approvals
----------------	-----------------	---------------------

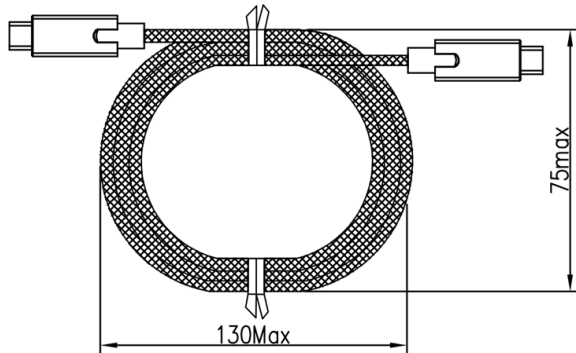
AGENCY ONLINE DOCUMENTS	http://www.globtek.info/certs/USB%20cables/
RoHS/RoHS3 Declaration	https://www.globtek.com/pdf/rohs_cert/01t3a000005RUxNAAW
REACH Declaration	https://www.globtek.com/pdf/iso_certificates/REACH.pdf
Conflict Minerals Declaration	https://www.globtek.com/pdf/conflict-minerals.pdf
Prop 65 Statement	https://en.globtek.com/prop-65-statement.pdf
CE.UKCA.Cord	https://globtek.secure.force.com/spec/ec_decl_product_model_family_incl_cord?id=01t3a000005RUxN

IPXY rating is based on 3rd party testing and customers should check suitability and test system level IPXY rating before ordering.

GlobTek, Inc. www.globtek.com 186 Veterans Drive, Northvale, NJ 07647 Tel. (201) 784-1000 Fax (201) 784-0111	Drawing Title: USBC with E-marker (5A) or Equal (EBEN:W-DY-034) + (Top-Case and Bottom-Case) to USBC without E-marker (5A) or Equal (EBEN:W-DY-035) + (Top-Case and Bottom-Case), GT Cable #28AWG*1P+19AWG*2C+30AWG*2C+AEB JACKET: NYLON BRAIDED FABRIC USB2.0, BLACK: SEE CODE / 6+Shell Conductors, 5.4mm OD, 80 Deg.C, Red/White/Green/Black/Yellow/Blue/Shell (Braid Drain), 2000±25mmGlobTek Black	
	Model No. Low voltage cable	Part No./Ordering No. USBCE5ABR2M0USBCB(R)
		Rev A

CUSTOMIZED LENGTHS, COLORS, CABLE TYPES, TERMINATIONS/PLUGS/RECEPTACLES AVAILABLE UPON REQUEST. ADDITIONAL PLUG OPTIONS ARE AVAILABLE AT <https://www.globtek.com/connectors/> STANDARD PLUGS AND CONNECTORS CAN BE SEEN ONLINE AT <https://www.globtek.com/connectors/> ACTUAL CONNECTORS, OVERMOLDS, FERRITES MAY VARY SLIGHTLY FROM THE PICTURE BELOW DIMENSIONS ARE IN MM UNLESS SPECIFIED OTHERWISE

Hanking: 130 COIL USBCBR
 Description: 130.0 MAX*75.0MAX
 Image:



<p>GlobTek, Inc. www.globtek.com 186 Veterans Drive, Northvale, NJ 07647 Tel. (201) 784-1000 Fax (201) 784-0111</p>	<p>Drawing Title: USBC with E-marker (5A) or Equal (EBEN:W-DY-034) + (Top-Case and Bottom-Case) to USBC without E-marker (5A) or Equal (EBEN:W-DY-035) + (Top-Case and Bottom-Case), GT Cable #28AWG*1P+19AWG*2C+30AWG*2C+AEB JACKET: NYLON BRAIDED FABRIC USB2.0, BLACK: SEE CODE / 6+Shell Conductors, 5.4mm OD, 80 Deg.C, Red/White/Green/Black/Yellow/Blue/Shell (Braid Drain), 2000±25mmGlobTek Black</p> <hr/> <p>Model No. Low voltage cable</p> <hr/> <p>Part No./Ordering No. USBCE5ABR2M0USBCB(R) Rev A</p>
--	--

CUSTOMIZED LENGTHS, COLORS, CABLE TYPES, TERMINATIONS/PLUGS/RECEPTACLES AVAILABLE UPON REQUEST. ADDITIONAL PLUG OPTIONS ARE AVAILABLE AT <https://www.globtek.com/connectors/> STANDARD PLUGS AND CONNECTORS CAN BE SEEN ONLINE AT <https://www.globtek.com/connectors/> ACTUAL CONNECTORS, OVERMOLDS, FERRITES MAY VARY SLIGHTLY FROM THE PICTURE BELOW DIMENSIONS ARE IN MM UNLESS SPECIFIED OTHERWISE

Notes/Modifications/Customizations (notes in this section supersede the values shown in the standard spec):