

GlobTek, Inc. www.globtek.com 186 Veterans Drive, Northvale, NJ 07647 Tel. (201) 784-1000 Fax (201) 784-0111	Drawing Title: USB TYPE C JACK WITH 2 SCREWS, USB 3.0, 3.1, INLINE CABLE MOUNT & for panel mounting, MOLD USB00027 compliant with Directive (EU) 2022/2380 and 2014/53/EU Radio Equipment Directive (RED) to USB C MALE 3.1 - USB Type-C plug connector with dual locking screws compliant with Directive (EU) 2022/2380 and 2014/53/EU Radio Equipment Directive (RED), GT Cable # (30AWG*1P+EAM)*4: (30AWG*1P+EAM)*4+(30AWG*1P+AM)+(32AWG*1C+AL)*4+24AWG*2C+AEB (YUE YANG:SP-680-02) Type C GEN2 / 16+shield Conductors, 5.5mm OD, 80 Deg.C, , 3000mmGlobTek Black	
	Model No. Low voltage cable	
	Part No./Ordering No. USBC2SILP3MUSBC2SWBK	Rev A

CUSTOMIZED LENGTHS, COLORS, CABLE TYPES, TERMINATIONS/PLUGS/RECEPTACLES AVAILABLE UPON REQUEST. ADDITIONAL PLUG OPTIONS ARE AVAILABLE AT <https://www.globtek.com/connectors/> STANDARD PLUGS AND CONNECTORS CAN BE SEEN ONLINE AT <https://www.globtek.com/connectors/> ACTUAL CONNECTORS, OVERMOLDS, FERRITES MAY VARY SLIGHTLY FROM THE PICTURE BELOW DIMENSIONS ARE IN MM UNLESS SPECIFIED OTHERWISE

In Addition to GlobTek Inc.'s renewed ISO9001:2008 - Quality Management System Certification, GlobTek Inc. is now certified to:

- ISO13485:2003 - Medical Devices Quality Management System Certification
- ISO14001:2004 - Environmental Management System Certification

ISO Certificates are available online at <https://www.globtek.com/iso-certificates/>

Prop 65 Statement: <https://en.globtek.com/prop-65-statement.pdf>

The acceptance of this specification and use of the product described in this document indicates the acceptance and binding of the customer to Globtek TERMS AND CONDITIONS (attached to the end of this document), which supersede all other agreements, terms, and conditions (<https://en.globtek.com/terms-and-conditions/>).

The purchaser of this product (Customer) agrees that it is their sole responsibility to determine suitability/fitness of the product described in this specification for their application and to take precautions for protection against any hazards attendant to the handling and use of the product.

#### Footnote:

GlobTek Inc. will not be liable for the safety and performance of these power supplies if unauthorized access and repair occurs. End user should consult applicable UL, CSA or EN standards for proper installation instruction.

#### Limitation of Use:

GlobTek products are intended for use with commercial, medical, and/or industrial equipment only. GlobTek product are not authorized for use as mission critical components in life support hazardous environment, nuclear or aircraft applications without prior written approval from the CEO of GlobTek Inc.  
 Contents of this document are subject to change without prior notice.

### Customer Approval of Specification:

Please approve, sign and send back to GlobTek so we can complete order processing.

A delay in receipt of this form will delay delivery schedule.

Company Name: _____	Customer P/N: _____
Quote Number: _____	Date: _____
Authorized Representative Name: _____	Authorized Representative Signature: _____

GlobTek, Inc. www.globtek.com 186 Veterans Drive, Northvale, NJ 07647 Tel. (201) 784-1000 Fax (201) 784-0111	Drawing Title: USB TYPE C JACK WITH 2 SCREWS, USB 3.0, 3.1, INLINE CABLE MOUNT & for panel mounting, MOLD USB00027 compliant with Directive (EU) 2022/2380 and 2014/53/EU Radio Equipment Directive (RED) to USB C MALE 3.1 - USB Type-C plug connector with dual locking screws compliant with Directive (EU) 2022/2380 and 2014/53/EU Radio Equipment Directive (RED), GT Cable #(30AWG*1P+EAM)*4: (30AWG*1P+EAM)*4+(30AWG*1P+AM)+(32AWG*1C+AL)*4+24AWG*2C+AEB (YUE YANG:SP-680-02) Type C GEN2 / 16+shield Conductors, 5.5mm OD, 80 Deg.C, , 3000mmGlobTek Black	
	Model No. Low voltage cable	
	Part No./Ordering No. USBC2SILP3MUSBC2SWBK	Rev A

CUSTOMIZED LENGTHS, COLORS, CABLE TYPES, TERMINATIONS/PLUGS/RECEPTACLES AVAILABLE UPON REQUEST. ADDITIONAL PLUG OPTIONS ARE AVAILABLE AT <https://www.globtek.com/connectors/> STANDARD PLUGS AND CONNECTORS CAN BE SEEN ONLINE AT <https://www.globtek.com/connectors/> ACTUAL CONNECTORS, OVERMOLDS, FERRITES MAY VARY SLIGHTLY FROM THE PICTURE BELOW DIMENSIONS ARE IN MM UNLESS SPECIFIED OTHERWISE

## REVISION HISTORY

REV	DESCRIPTION	SUB	DATE	APPROVED
A	Initial release	DR	01/25/2023	DAVID

Cordset Information:

CordsetColor:GlobTek Black

Cord Length (mm):3000

3D File Download [https://www.globtek.com/file/dl/USBC2SILP3MUSBC2SWBK\\_asm.zip](https://www.globtek.com/file/dl/USBC2SILP3MUSBC2SWBK_asm.zip)

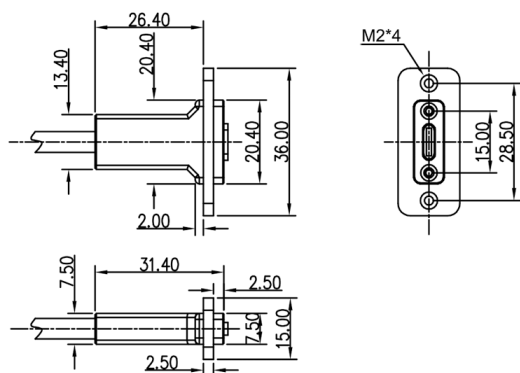
### NOTES:

ACTUAL CONNECTORS, OVERMOLDS, FERRITES MAY VARY SLIGHTLY FROM THE PICTURE BELOW

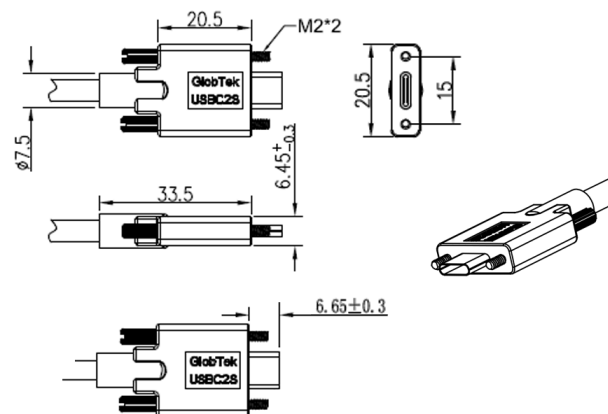
<p>GlobTek, Inc. www.globtek.com 186 Veterans Drive, Northvale, NJ 07647 Tel. (201) 784-1000 Fax (201) 784-0111</p>	<p>Drawing Title: USB TYPE C JACK WITH 2 SCREWS, USB 3.0, 3.1, INLINE CABLE MOUNT &amp; for panel mounting, MOLD USB00027 compliant with Directive (EU) 2022/2380 and 2014/53/EU Radio Equipment Directive (RED) to USB C MALE 3.1 - USB Type-C plug connector with dual locking screws compliant with Directive (EU) 2022/2380 and 2014/53/EU Radio Equipment Directive (RED), GT Cable # (30AWG*1P+EAM)*4: (30AWG*1P+EAM)*4+(30AWG*1P+AM)+(32AWG*1C+AL)*4+24AWG*2C+AEB (YUE YANG:SP-680-02) Type C GEN2 / 16+shield Conductors, 5.5mm OD, 80 Deg.C, , 3000mmGlobTek Black</p> <p>Model No. Low voltage cable</p> <p>Part No./Ordering No. USBC2SILP3MUSBC2SWBK</p>	<p>Rev A</p>
---	--	--------------

CUSTOMIZED LENGTHS, COLORS, CABLE TYPES, TERMINATIONS/PLUGS/RECEPTACLES AVAILABLE UPON REQUEST. ADDITIONAL PLUG OPTIONS ARE AVAILABLE AT <https://www.globtek.com/connectors/> STANDARD PLUGS AND CONNECTORS CAN BE SEEN ONLINE AT <https://www.globtek.com/connectors/> ACTUAL CONNECTORS, OVERMOLDS, FERRITES MAY VARY SLIGHTLY FROM THE PICTURE BELOW DIMENSIONS ARE IN MM UNLESS SPECIFIED OTHERWISE

END A



END B



Panel spacers available for flush mounting, GlobTek PN [TYPEPCSPACER0003-1.0](#) for 1.0mm and GlobTek PN [TYPEPCSPACER0003-1.5](#) 1.5mm

[Mates with GlobTek USB Type C cables with 2 screws.](#)

[Mates with GlobTek USB Type C cables with 2 screws.](#)

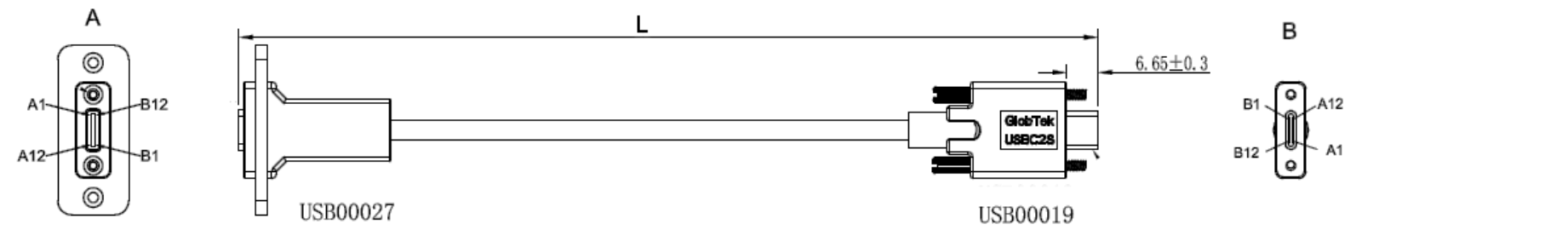
Note: This USB Type-C-to-Type-C cable should only be connected between a power source and sink (Load or user system) which are both fully compatible with the USB Type-C or USB Power Delivery (PD) specifications. Use of Type-A-to-Type-C "legacy" converters is not advised, as they may cause power negotiation errors. When using a Type-C-to-Type-C cable, internal circuits in both the power source and sink (Load or user system) handle power negotiation. A cable with an integrated pull-up resistor is only necessary when adapting a "legacy" USB source to a Type-C compliant sink.

Mates with USB TYPE 'C' DUAL SCREW LOCKING RECEPTACLE, RIGHT ANGLE, PCB MOUNT, RoHS COMPLIANT, [AMPHENOL P/N P-MUSBR-M1CB-X0](#)

<p>GlobTek, Inc. www.globtek.com 186 Veterans Drive, Northvale, NJ 07647 Tel. (201) 784-1000 Fax (201) 784-0111</p>	<p>Drawing Title: USB TYPE C JACK WITH 2 SCREWS, USB 3.0, 3.1, INLINE CABLE MOUNT &amp; for panel mounting, MOLD USB00027 compliant with Directive (EU) 2022/2380 and 2014/53/EU Radio Equipment Directive (RED) to USB C MALE 3.1 - USB Type-C plug connector with dual locking screws compliant with Directive (EU) 2022/2380 and 2014/53/EU Radio Equipment Directive (RED), GT Cable #((30AWG*1P+EAM)*4:(30AWG*1P+EAM)*4+(30AWG*1P+AM)+(32AWG*1C+AL)*4+24AWG*2C+AEB (YUE YANG:SP-680-02) Type C GEN2 / 16+shield Conductors, 5.5mm OD, 80 Deg.C, , 3000mmGlobTek Black</p> <p>Model No. Low voltage cable</p> <p>Part No./Ordering No. USBC2SILP3MUSBC2SWBK</p>
	Rev A

CUSTOMIZED LENGTHS, COLORS, CABLE TYPES, TERMINATIONS/PLUGS/RECEPTACLES AVAILABLE UPON REQUEST. ADDITIONAL PLUG OPTIONS ARE AVAILABLE AT <https://www.globtek.com/connectors/> STANDARD PLUGS AND CONNECTORS CAN BE SEEN ONLINE AT <https://www.globtek.com/connectors/> ACTUAL CONNECTORS, OVERMOLDS, FERRITES MAY VARY SLIGHTLY FROM THE PICTURE BELOW DIMENSIONS ARE IN MM UNLESS SPECIFIED OTHERWISE

CABLE IMAGE



GlobTek, Inc. www.globtek.com 186 Veterans Drive, Northvale, NJ 07647 Tel. (201) 784-1000 Fax (201) 784-0111	Drawing Title: USB TYPE C JACK WITH 2 SCREWS, USB 3.0, 3.1, INLINE CABLE MOUNT & for panel mounting, MOLD USB00027 compliant with Directive (EU) 2022/2380 and 2014/53/EU Radio Equipment Directive (RED) to USB C MALE 3.1 - USB Type-C plug connector with dual locking screws compliant with Directive (EU) 2022/2380 and 2014/53/EU Radio Equipment Directive (RED), GT Cable # (30AWG*1P+EAM)*4: (30AWG*1P+EAM)*4+(30AWG*1P+AM)+(32AWG*1C+AL)*4+24AWG*2C+AEB (YUE YANG:SP-680-02) Type C GEN2 / 16+shield Conductors, 5.5mm OD, 80 Deg.C, , 3000mmGlobTek Black	
	Model No. Low voltage cable	
	Part No./Ordering No. USBC2SILP3MUSBC2SWBK	Rev A

CUSTOMIZED LENGTHS, COLORS, CABLE TYPES, TERMINATIONS/PLUGS/RECEPTACLES AVAILABLE UPON REQUEST. ADDITIONAL PLUG OPTIONS ARE AVAILABLE AT <https://www.globtek.com/connectors/> STANDARD PLUGS AND CONNECTORS CAN BE SEEN ONLINE AT <https://www.globtek.com/connectors/> ACTUAL CONNECTORS, OVERMOLDS, FERRITES MAY VARY SLIGHTLY FROM THE PICTURE BELOW DIMENSIONS ARE IN MM UNLESS SPECIFIED OTHERWISE

<b>End A</b> Code:USBCJACK2SCREWSPANELINLINE Description:USB TYPE C JACK WITH 2 SCREWS, USB 3.0, 3.1, INLINE CABLE MOUNT & for panel mounting, MOLD USB00027 compliant with Directive (EU) 2022/2380 and 2014/53/EU Radio Equipment Directive (RED) Rating (V):20 Rating (A):5.0 Gender:Female Overmolded:Yes	<b>Cable</b> Code:(30AWG*1P+EAM)*4 Description:GT Cable # (30AWG*1P+EAM)*4: (30AWG*1P+EAM)*4+(30AWG*1P+AM)+(32AWG*1C+AL)*4+24AWG*2C+AEBconnector with dual locking screws compliant with (YUE YANG:SP-680-02) Type C GEN2 / 16+shield Conductors, 5.5mm OD, 80 Deg.C, Color:GlobTek Black Wire Gauge(AWG): (30AWG*1P+EAM)*4+(30AWG*1P+AM)+(32AWG*1C+AL)*4+24AWG*2C+AEB Gender:Male Overmolded:Yes Cond:16+shield Type: Temperature:80° C Amps: Volts: OD:5.5 ConductorsColors: Min # of bending tests passed:	<b>End B</b> Code:USBCM3.1-Lock 2 screw Description:USB C MALE 3.1 - USB Type-C plug Rating (V):20 Rating (A):5.0 Gender:Male Overmolded:Yes
---	---	--

Overall cable rating:20V 5A

Plug Approvals	Cable Approvals	Connector Approvals
----------------	-----------------	---------------------



UL RECOGNIZED

AGENCY ONLINE DOCUMENTS	<a href="http://www.globtek.info/certs/USB%20cables/">http://www.globtek.info/certs/USB%20cables/</a>
RoHS/RoHS3 Declaration	<a href="https://www.globtek.com/pdf/rohs_cert/01t3a000005gvxtAAA">https://www.globtek.com/pdf/rohs_cert/01t3a000005gvxtAAA</a>
REACH Declaration	<a href="https://www.globtek.com/pdf/iso_certificates/REACH.pdf">https://www.globtek.com/pdf/iso_certificates/REACH.pdf</a>
Conflict Minerals Declaration	<a href="https://www.globtek.com/pdf/conflict-minerals.pdf">https://www.globtek.com/pdf/conflict-minerals.pdf</a>
Prop 65 Statement	<a href="https://en.globtek.com/prop-65-statement.pdf">https://en.globtek.com/prop-65-statement.pdf</a>
CE.UKCA.Cord	<a href="https://globtek.secure.force.com/spec/ec_decl_product_model_family_incl_cord?id=01t3a000005gvxt">https://globtek.secure.force.com/spec/ec_decl_product_model_family_incl_cord?id=01t3a000005gvxt</a>

PROPRIETARY INFORMATION

PROPRIETARY OF GLOBTEK, INC. ANY REPRODUCTION, DISCLOSURE OR USE OF THIS DRAWING, IN WHOLE OR IN PART, IS HEREBY PROHIBITED EXCEPT AS SPECIFIED IN WRITING BY GLOBTEK, INC. © GlobTek, Inc. 2023 - 2025

quest /11/21/2025 9:52:27 AM CLONED FROM USBC2SILP2MUSBC2SWBK

<p>GlobTek, Inc.  www.globtek.com  186 Veterans Drive,  Northvale, NJ 07647  Tel. (201) 784-1000  Fax (201) 784-0111</p>	<p>Drawing Title: USB TYPE C JACK WITH 2 SCREWS, USB 3.0, 3.1, INLINE CABLE MOUNT &amp; for panel mounting, MOLD USB00027 compliant with Directive (EU) 2022/2380 and 2014/53/EU Radio Equipment Directive (RED) to USB C MALE 3.1 - USB Type-C plug connector with dual locking screws compliant with Directive (EU) 2022/2380 and 2014/53/EU Radio Equipment Directive (RED), GT Cable  #(30AWG*1P+EAM)*4: (30AWG*1P+EAM)*4+(30AWG*1P+AM)+(32AWG*1C+AL)*4+24AWG*2C+AEB (YUE YANG:SP-680-02) Type C GEN2 / 16+shield Conductors, 5.5mm OD, 80 Deg.C, , 3000mmGlobTek  Black</p>
	<p>Model No. Low voltage cable</p>
	<p>Part No./Ordering No. USBC2SILP3MUSBC2SWBK <span style="float: right;">Rev A</span></p>

CUSTOMIZED LENGTHS, COLORS, CABLE TYPES, TERMINATIONS/PLUGS/RECEPTACLES AVAILABLE UPON REQUEST. ADDITIONAL PLUG OPTIONS ARE AVAILABLE AT <https://www.globtek.com/connectors/> STANDARD PLUGS AND CONNECTORS CAN BE SEEN ONLINE AT <https://www.globtek.com/connectors/> ACTUAL CONNECTORS, OVERMOLDS, FERRITES MAY VARY SLIGHTLY FROM THE PICTURE BELOW DIMENSIONS ARE IN MM UNLESS SPECIFIED OTHERWISE

IPXY rating is based on 3rd party testing and customers should check suitability and test system level IPXY rating before ordering.

PROPRIETARY INFORMATION

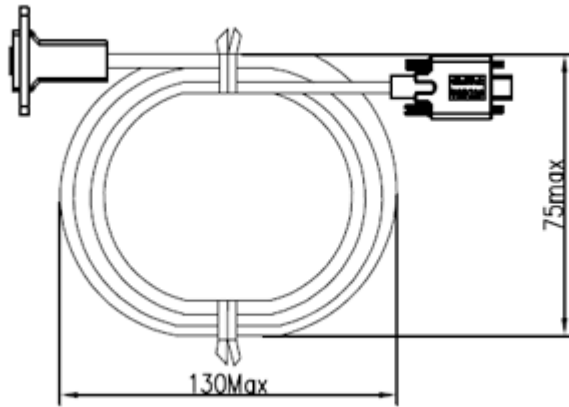
PROPRIETARY OF GLOBTEK, INC. ANY REPRODUCTION, DISCLOSURE OR USE OF THIS DRAWING, IN WHOLE OR IN PART, IS HEREBY PROHIBITED EXCEPT AS SPECIFIED IN WRITING BY GLOBTEK, INC. © GlobTek, Inc.  
2023 - 2025

quest /11/21/2025 9:52:27 AM CLONED FROM USBC2SILP2MUSBC2SWBK

<p>GlobTek, Inc. www.globtek.com 186 Veterans Drive, Northvale, NJ 07647 Tel. (201) 784-1000 Fax (201) 784-0111</p>	<p>Drawing Title: USB TYPE C JACK WITH 2 SCREWS, USB 3.0, 3.1, INLINE CABLE MOUNT &amp; for panel mounting, MOLD USB00027 compliant with Directive (EU) 2022/2380 and 2014/53/EU Radio Equipment Directive (RED) to USB C MALE 3.1 - USB Type-C plug connector with dual locking screws compliant with Directive (EU) 2022/2380 and 2014/53/EU Radio Equipment Directive (RED), GT Cable # (30AWG*1P+EAM)*4: (30AWG*1P+EAM)*4+(30AWG*1P+AM)+(32AWG*1C+AL)*4+24AWG*2C+AEB (YUE YANG:SP-680-02) Type C GEN2 / 16+shield Conductors, 5.5mm OD, 80 Deg.C, , 3000mmGlobTek Black</p> <p>Model No. Low voltage cable</p> <p>Part No./Ordering No. USBC2SILP3MUSBC2SWBK</p>
	<p>Rev A</p>

CUSTOMIZED LENGTHS, COLORS, CABLE TYPES, TERMINATIONS/PLUGS/RECEPTACLES AVAILABLE UPON REQUEST. ADDITIONAL PLUG OPTIONS ARE AVAILABLE AT <https://www.globtek.com/connectors/> STANDARD PLUGS AND CONNECTORS CAN BE SEEN ONLINE AT <https://www.globtek.com/connectors/> ACTUAL CONNECTORS, OVERMOLDS, FERRITES MAY VARY SLIGHTLY FROM THE PICTURE BELOW DIMENSIONS ARE IN MM UNLESS SPECIFIED OTHERWISE

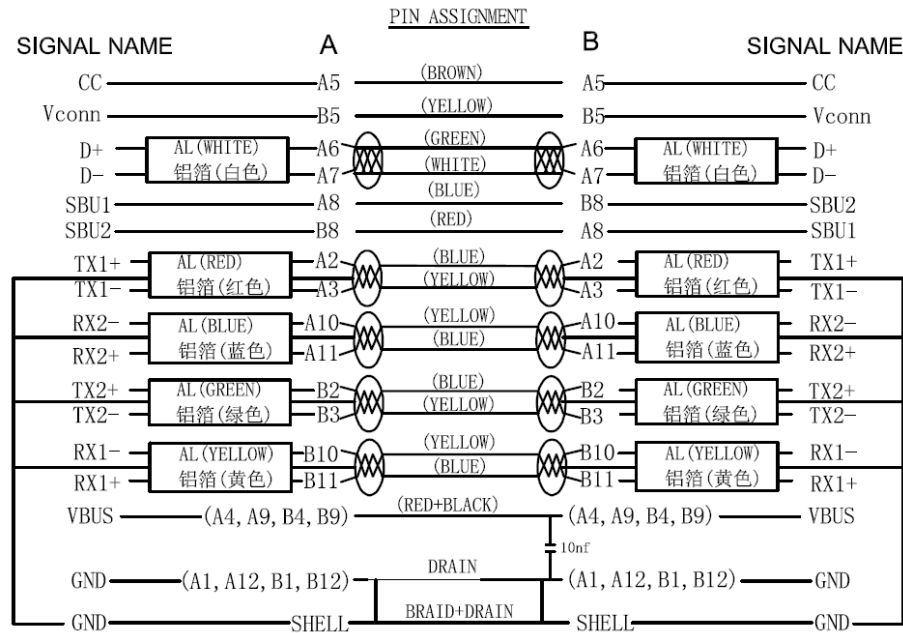
Hanking:USBC2SILP-MUSBC2SWBK  
Description:Coiled; secured with twist tie  
Image:



GlobTek, Inc. www.globtek.com 186 Veterans Drive, Northvale, NJ 07647 Tel. (201) 784-1000 Fax (201) 784-0111	Drawing Title: USB TYPE C JACK WITH 2 SCREWS, USB 3.0, 3.1, INLINE CABLE MOUNT & for panel mounting, MOLD USB00027 compliant with Directive (EU) 2022/2380 and 2014/53/EU Radio Equipment Directive (RED) to USB C MALE 3.1 - USB Type-C plug connector with dual locking screws compliant with Directive (EU) 2022/2380 and 2014/53/EU Radio Equipment Directive (RED), GT Cable # (30AWG*1P+EAM)*4: (30AWG*1P+EAM)*4+(30AWG*1P+AM)+(32AWG*1C+AL)*4+24AWG*2C+AEB (YUE YANG:SP-680-02) Type C GEN2 / 16+shield Conductors, 5.5mm OD, 80 Deg.C, , 3000mmGlobTek Black	
	Model No. Low voltage cable	Rev A
Part No./Ordering No. USBC2SILP3MUSBC2SWBK		

CUSTOMIZED LENGTHS, COLORS, CABLE TYPES, TERMINATIONS/PLUGS/RECEPTACLES AVAILABLE UPON REQUEST. ADDITIONAL PLUG OPTIONS ARE AVAILABLE AT <https://www.globtek.com/connectors/> STANDARD PLUGS AND CONNECTORS CAN BE SEEN ONLINE AT <https://www.globtek.com/connectors/> ACTUAL CONNECTORS, OVERMOLDS, FERRITES MAY VARY SLIGHTLY FROM THE PICTURE BELOW DIMENSIONS ARE IN MM UNLESS SPECIFIED OTHERWISE

Notes/Modifications/Customizations (notes in this section supersede the values shown in the standard spec):

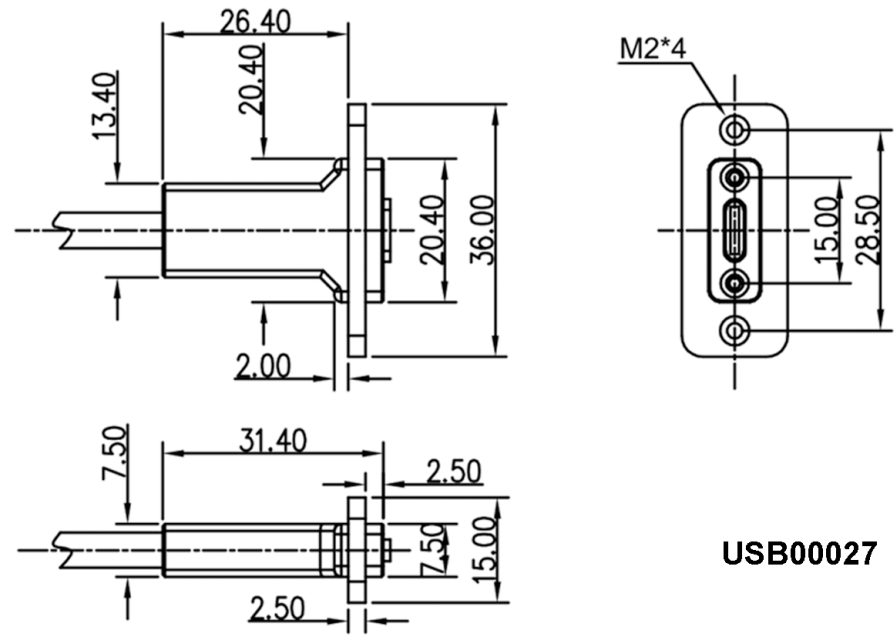


This cable is rated 5A although USB PD products will only deliver a maximum of 3.0A due to lack of an E-marker (electronic marker)

GlobTek, Inc. www.globtek.com 186 Veterans Drive, Northvale, NJ 07647 Tel. (201) 784-1000 Fax (201) 784-0111	Drawing Title: USB TYPE C JACK WITH 2 SCREWS, USB 3.0, 3.1, INLINE CABLE MOUNT & for panel mounting, MOLD USB00027 compliant with Directive (EU) 2022/2380 and 2014/53/EU Radio Equipment Directive (RED) to USB C MALE 3.1 - USB Type-C plug connector with dual locking screws compliant with Directive (EU) 2022/2380 and 2014/53/EU Radio Equipment Directive (RED), GT Cable # (30AWG*1P+EAM)*4: (30AWG*1P+EAM)*4+(30AWG*1P+AM)+(32AWG*1C+AL)*4+24AWG*2C+AEB (YUE YANG:SP-680-02) Type C GEN2 / 16+shield Conductors, 5.5mm OD, 80 Deg.C, , 3000mmGlobTek Black
	Model No. Low voltage cable Part No./Ordering No. USBC2SILP3MUSBC2SWBK

CUSTOMIZED LENGTHS, COLORS, CABLE TYPES, TERMINATIONS/PLUGS/RECEPTACLES AVAILABLE UPON REQUEST. ADDITIONAL PLUG OPTIONS ARE AVAILABLE AT <https://www.globtek.com/connectors/> STANDARD PLUGS AND CONNECTORS CAN BE SEEN ONLINE AT <https://www.globtek.com/connectors/> ACTUAL CONNECTORS, OVERMOLDS, FERRITES MAY VARY SLIGHTLY FROM THE PICTURE BELOW DIMENSIONS ARE IN MM UNLESS SPECIFIED OTHERWISE

Detail Drawing of the Panel Mount USB Type C receptacle with 2 screws



**USB00027**

GlobTek, Inc. www.globtek.com 186 Veterans Drive, Northvale, NJ 07647 Tel. (201) 784-1000 Fax (201) 784-0111	Drawing Title: USB TYPE C JACK WITH 2 SCREWS, USB 3.0, 3.1, INLINE CABLE MOUNT & for panel mounting, MOLD USB00027 compliant with Directive (EU) 2022/2380 and 2014/53/EU Radio Equipment Directive (RED) to USB C MALE 3.1 - USB Type-C plug connector with dual locking screws compliant with Directive (EU) 2022/2380 and 2014/53/EU Radio Equipment Directive (RED), GT Cable #(30AWG*1P+EAM)*4: (30AWG*1P+EAM)*4+(30AWG*1P+AM)+(32AWG*1C+AL)*4+24AWG*2C+AEB (YUE YANG:SP-680-02) Type C GEN2 / 16+shield Conductors, 5.5mm OD, 80 Deg.C, , 3000mmGlobTek Black Model No. Low voltage cable Part No./Ordering No. USBC2SILP3MUSBC2SWBK
	Rev A

CUSTOMIZED LENGTHS, COLORS, CABLE TYPES, TERMINATIONS/PLUGS/RECEPTACLES AVAILABLE UPON REQUEST. ADDITIONAL PLUG OPTIONS ARE AVAILABLE AT <https://www.globtek.com/connectors/> STANDARD PLUGS AND CONNECTORS CAN BE SEEN ONLINE AT <https://www.globtek.com/connectors/> ACTUAL CONNECTORS, OVERMOLDS, FERRITES MAY VARY SLIGHTLY FROM THE PICTURE BELOW DIMENSIONS ARE IN MM UNLESS SPECIFIED OTHERWISE

Recommended Panel Cut out:

