

GlobTek, Inc. www.globtek.com 186 Veterans Drive, Northvale, NJ 07647 Tel. (201) 784-1000 Fax (201) 784-0111	Drawing Title: Micro USB 5 pin (451-02180382) to USB Type C(C-CPK03-0036) no resistance or equal +(Top-Case and Bottom-Case) compliant with Directive (EU) 2022/2380 and 2014/53/EU Radio Equipment Directive (RED), GT Cable #UL 2725 28AWG*1P(White, Green)+ 20AWG*2C(Black, Red) +AL+Braid (Black): SEE CODE / 4 + SHIELD Conductors, 5.0mm OD, UL 2725, 80° Deg.C, 28AWG*1P(Green&White) + 20AWG*2C(Red&Black), , 3000±50mmGlobTek Black	
	Model No. Low voltage cable	
	Part No./Ordering No. USB5MIC27253M0USBCB(R)	Rev A2

CUSTOMIZED LENGTHS, COLORS, CABLE TYPES, TERMINATIONS/PLUGS/RECEPTACLES AVAILABLE UPON REQUEST. ADDITIONAL PLUG OPTIONS ARE AVAILABLE AT <https://www.globtek.com/connectors/> STANDARD PLUGS AND CONNECTORS CAN BE SEEN ONLINE AT <https://www.globtek.com/connectors/> ACTUAL CONNECTORS, OVERMOLDS, FERRITES MAY VARY SLIGHTLY FROM THE PICTURE BELOW DIMENSIONS ARE IN MM UNLESS SPECIFIED OTHERWISE

In Addition to GlobTek Inc.'s renewed ISO9001:2008 - Quality Management System Certification, GlobTek Inc. is now certified to:

ISO13485:2003 - Medical Devices Quality Management System Certification
 ISO14001:2004 - Environmental Management System Certification

ISO Certificates are available online at <https://www.globtek.com/iso-certificates/>
 Prop 65 Statement:<https://en.globtek.com/prop-65-statement.pdf>

The acceptance of this specification and use of the product described in this document indicates the acceptance and binding of the customer to Globtek TERMS AND CONDITIONS (attached to the end of this document), which supersede all other agreements, terms, and conditions (<https://en.globtek.com/terms-and-conditions/>).

The purchaser of this product (Customer) agrees that it is their sole responsibility to determine suitability/fitness of the product described in this specification for their application and to take precautions for protection against any hazards attendant to the handling and use of the product.

Footnote:

GlobTek Inc. will not be liable for the safety and performance of these power supplies if unauthorized access and repair occurs. End user should consult applicable UL, CSA or EN standards for proper installation instruction.

Limitation of Use:

GlobTek products are intended for use with commercial, medical, and/or industrial equipment only. GlobTek product are not authorized for use as mission critical components in life support hazardous environment, nuclear or aircraft applications without prior written approval from the CEO of GlobTek Inc.
 Contents of this document are subject to change without prior notice.

Customer Approval of Specification:

Please approve, sign and send back to GlobTek so we can complete order processing.
 A delay in receipt of this form will delay delivery schedule.

Company Name: _____	Customer P/N: _____
Quote Number: _____	Date: _____
Authorized Representative Name: _____	Authorized Representative Signature: _____

GlobTek, Inc. www.globtek.com 186 Veterans Drive, Northvale, NJ 07647 Tel. (201) 784-1000 Fax (201) 784-0111	Drawing Title: Micro USB 5 pin (451-02180382) to USB Type C(C-CPK03-0036) no resistance or equal +(Top-Case and Bottom-Case) compliant with Directive (EU) 2022/2380 and 2014/53/EU Radio Equipment Directive (RED), GT Cable #UL 2725 28AWG*1P(White, Green)+ 20AWG*2C(Black, Red) +AL+Braid (Black): SEE CODE / 4 + SHIELD Conductors, 5.0mm OD, UL 2725, 80° Deg.C, 28AWG*1P(Green&White) + 20AWG*2C(Red&Black), , 3000±50mmGlobTek Black	
	Model No. Low voltage cable	
	Part No./Ordering No. USB5MIC27253M0USBCB(R)	Rev A2

CUSTOMIZED LENGTHS, COLORS, CABLE TYPES, TERMINATIONS/PLUGS/RECEPTACLES AVAILABLE UPON REQUEST. ADDITIONAL PLUG OPTIONS ARE AVAILABLE AT <https://www.globtek.com/connectors/> STANDARD PLUGS AND CONNECTORS CAN BE SEEN ONLINE AT <https://www.globtek.com/connectors/> ACTUAL CONNECTORS, OVERMOLDS, FERRITES MAY VARY SLIGHTLY FROM THE PICTURE BELOW DIMENSIONS ARE IN MM UNLESS SPECIFIED OTHERWISE

REVISION HISTORY

REV	DESCRIPTION	SUB	DATE	APPROVED
A2	Change cable description 28AWG*1P(Green&White) + 28AWG*2C(Red&Black) to 28AWG*1P(Green&White) + 20AWG*2C(Red&Black) Cconnector End A change from 451-02180175 to 451-02180382, and Rating 5A change to 3A Overall cable rating change from 20V 5A to 20V 3A	QA	03/11/2023	QA
A1	Update rating to 5A for Mlcro USB 5 Pin	QA	11/15/2022	QA
A	Initial release	QA	11/04/2022	QA

Cordset Information:

CordsetColor:GlobTek Black

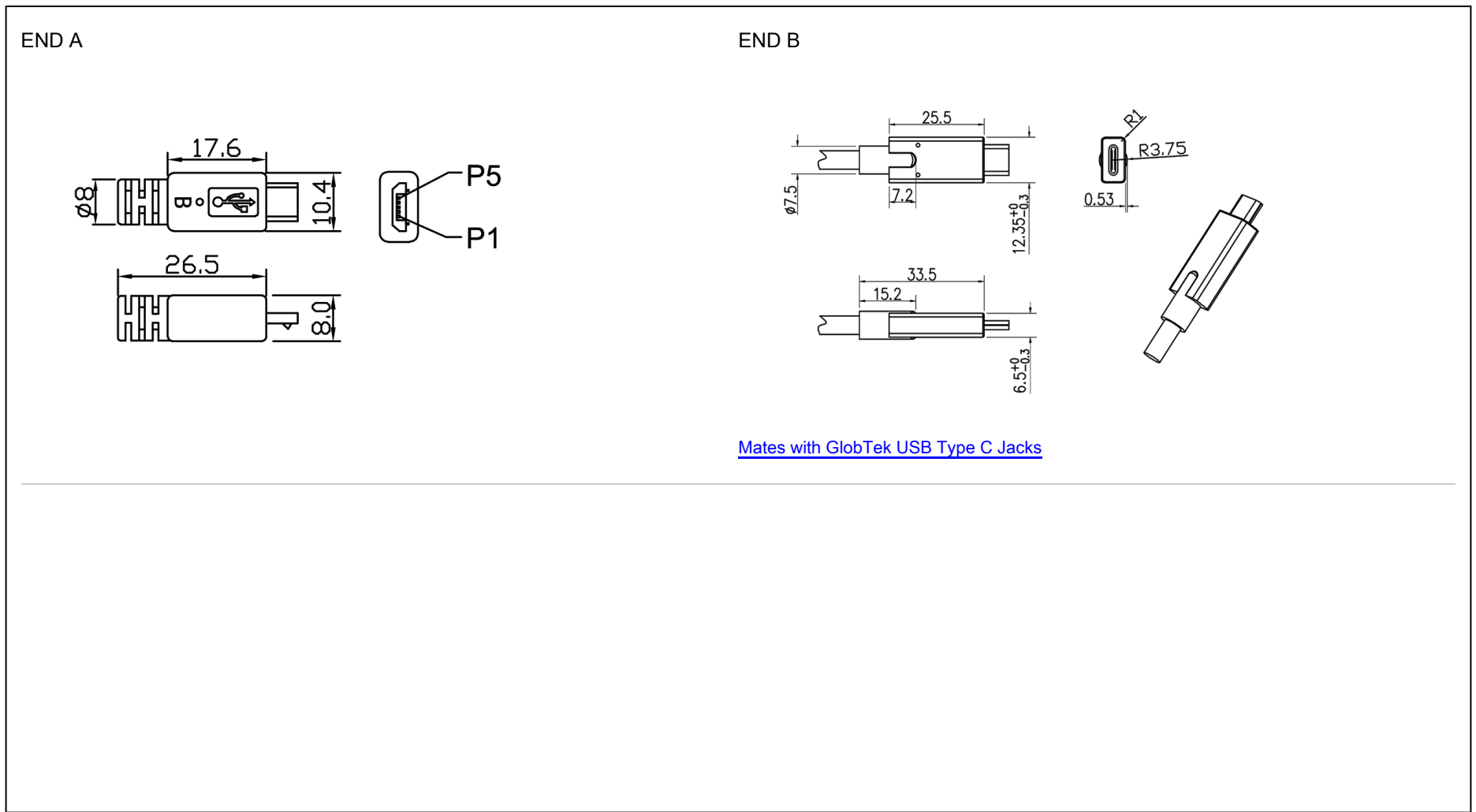
Cord Length (mm):3000±50

NOTES:

ACTUAL CONNECTORS, OVERMOLDS, FERRITES MAY VARY SLIGHTLY FROM THE PICTURE BELOW

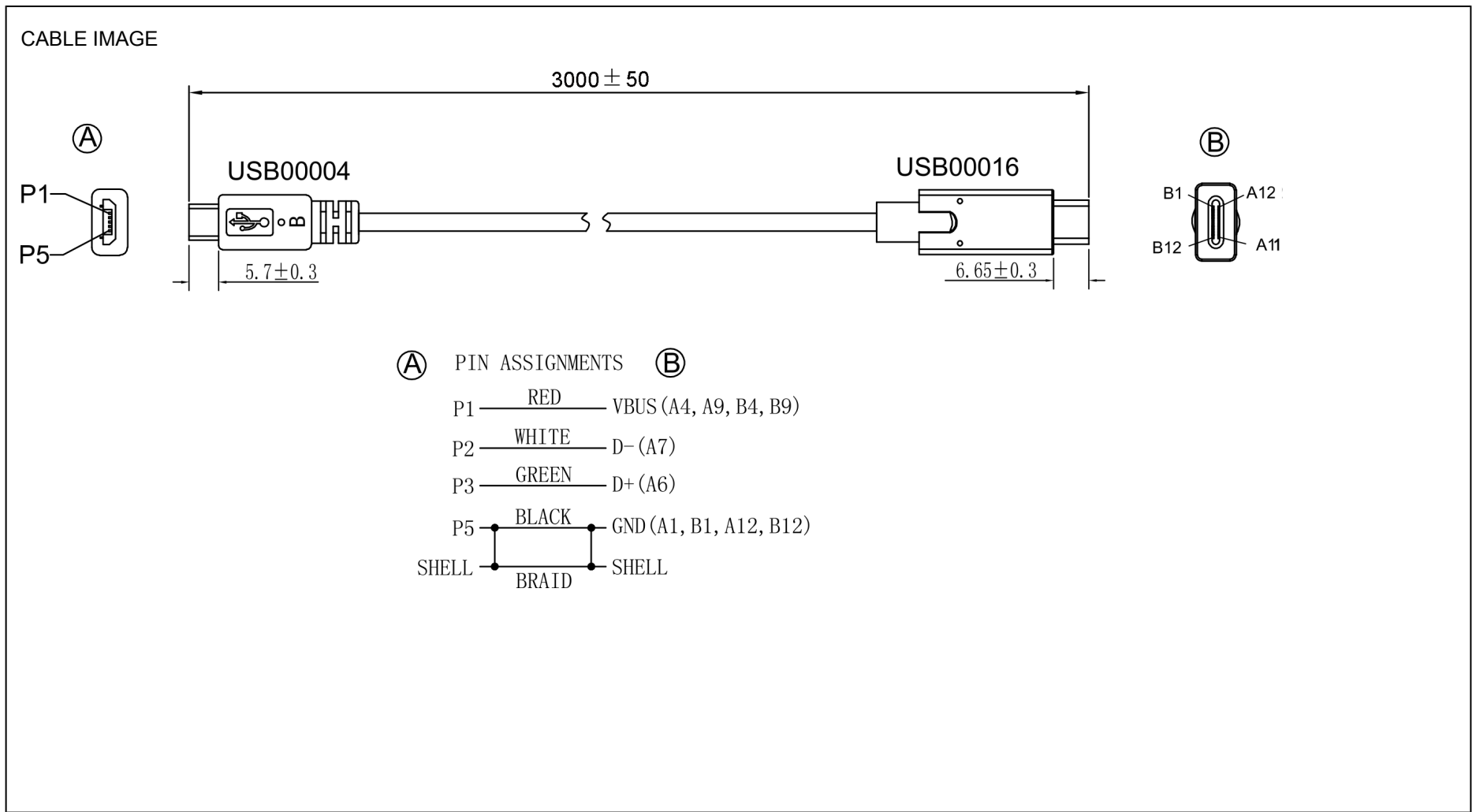
GlobTek, Inc. www.globtek.com 186 Veterans Drive, Northvale, NJ 07647 Tel. (201) 784-1000 Fax (201) 784-0111	Drawing Title: Micro USB 5 pin (451-02180382) to USB Type C(C-CPK03-0036) no resistance or equal +(Top-Case and Bottom-Case) compliant with Directive (EU) 2022/2380 and 2014/53/EU Radio Equipment Directive (RED), GT Cable #UL 2725 28AWG*1P(White, Green)+ 20AWG*2C(Black, Red) +AL+Braid (Black): SEE CODE / 4 + SHIELD Conductors, 5.0mm OD, UL 2725, 80° Deg.C, 28AWG*1P(Green&White) + 20AWG*2C(Red&Black), , 3000±50mmGlobTek Black	
	Model No. Low voltage cable	
	Part No./Ordering No. USB5MIC27253M0USBCB(R)	Rev A2

CUSTOMIZED LENGTHS, COLORS, CABLE TYPES, TERMINATIONS/PLUGS/RECEPTACLES AVAILABLE UPON REQUEST. ADDITIONAL PLUG OPTIONS ARE AVAILABLE AT <https://www.globtek.com/connectors/> STANDARD PLUGS AND CONNECTORS CAN BE SEEN ONLINE AT <https://www.globtek.com/connectors/> ACTUAL CONNECTORS, OVERMOLDS, FERRITES MAY VARY SLIGHTLY FROM THE PICTURE BELOW DIMENSIONS ARE IN MM UNLESS SPECIFIED OTHERWISE



GlobTek, Inc. www.globtek.com 186 Veterans Drive, Northvale, NJ 07647 Tel. (201) 784-1000 Fax (201) 784-0111	Drawing Title: Micro USB 5 pin (451-02180382) to USB Type C(C-CPK03-0036) no resistance or equal +(Top-Case and Bottom-Case) compliant with Directive (EU) 2022/2380 and 2014/53/EU Radio Equipment Directive (RED), GT Cable #UL 2725 28AWG*1P(White, Green)+ 20AWG*2C(Black, Red) +AL+Braid (Black): SEE CODE / 4 + SHIELD Conductors, 5.0mm OD, UL 2725, 80° Deg.C, 28AWG*1P(Green&White) + 20AWG*2C(Red&Black), , 3000±50mmGlobTek Black
	Model No. Low voltage cable
Part No./Ordering No. USB5MIC27253M0USBCB(R)	Rev A2

CUSTOMIZED LENGTHS, COLORS, CABLE TYPES, TERMINATIONS/PLUGS/RECEPTACLES AVAILABLE UPON REQUEST. ADDITIONAL PLUG OPTIONS ARE AVAILABLE AT <https://www.globtek.com/connectors/> STANDARD PLUGS AND CONNECTORS CAN BE SEEN ONLINE AT <https://www.globtek.com/connectors/> ACTUAL CONNECTORS, OVERMOLDS, FERRITES MAY VARY SLIGHTLY FROM THE PICTURE BELOW DIMENSIONS ARE IN MM UNLESS SPECIFIED OTHERWISE



GlobTek, Inc. www.globtek.com 186 Veterans Drive, Northvale, NJ 07647 Tel. (201) 784-1000 Fax (201) 784-0111	Drawing Title: Micro USB 5 pin (451-02180382) to USB Type C(C-CPK03-0036) no resistance or equal +(Top-Case and Bottom-Case) compliant with Directive (EU) 2022/2380 and 2014/53/EU Radio Equipment Directive (RED), GT Cable #UL 2725 28AWG*1P(White, Green)+ 20AWG*2C(Black, Red) +AL+Braid (Black): SEE CODE / 4 + SHIELD Conductors, 5.0mm OD, UL 2725, 80° Deg.C, 28AWG*1P(Green&White) + 20AWG*2C(Red&Black), , 3000±50mmGlobTek Black	
	Model No. Low voltage cable	
	Part No./Ordering No. USB5MIC27253M0USBCB(R)	Rev A2

CUSTOMIZED LENGTHS, COLORS, CABLE TYPES, TERMINATIONS/PLUGS/RECEPTACLES AVAILABLE UPON REQUEST. ADDITIONAL PLUG OPTIONS ARE AVAILABLE AT <https://www.globtek.com/connectors/> STANDARD PLUGS AND CONNECTORS CAN BE SEEN ONLINE AT <https://www.globtek.com/connectors/> ACTUAL CONNECTORS, OVERMOLDS, FERRITES MAY VARY SLIGHTLY FROM THE PICTURE BELOW DIMENSIONS ARE IN MM UNLESS SPECIFIED OTHERWISE

End A Code:Micro USB 5 Pin (USB00004) Description:Micro USB 5 pin (451-02180382) Rating (V): Rating (A):3.0 Gender:Male Overmolded:Yes	Cable Code:UL 2725 28AWG*1P(White, Green)+ 20AWG*2C(Black, Red) +AL+Braid (Black) Description:GT Cable #UL 2725 28AWG*1P(White, Green)+ 20AWG*2C(Black, Red) +AL+Braid (Black): SEE CODE / 4 + SHIELD Conductors, 5.0mm OD, UL 2725, 80° Deg.C, 28AWG*1P(Green&White) + 20AWG*2C(Red&Black), Color:GlobTek Black Wire Gauge(AWG):SEE CODE Cond:4 + SHIELD Type:UL 2725 Temperature:80° C Amps: Volts: OD:5.0 ConductorsColors:28AWG*1P(Green&White) + 20AWG*2C(Red&Black) Min # of bending tests passed:	End B Code:USBC USB00016 Description:USB Type C(C-CPK03-0036) no resistance or equal +(Top-Case and Bottom-Case) compliant with Directive (EU) 2022/2380 and 2014/53/EU Radio Equipment Directive (RED) Rating (V):20 Rating (A):5.0 Gender:Male Overmolded:Yes																					
Overall cable rating:20V 3A																							
<table border="1"> <thead> <tr> <th>Plug Approvals</th> <th>Cable Approvals</th> <th>Connector Approvals</th> </tr> </thead> <tbody> <tr> <td>AGENCY ONLINE DOCUMENTS</td> <td>http://www.globtek.info/certs/USB%20cables/</td> <td></td> </tr> <tr> <td>RoHS/RoHS3 Declaration</td> <td>https://www.globtek.com/pdf/rohs_cert/01t3a000005gdsWAAQ</td> <td></td> </tr> <tr> <td>REACH Declaration</td> <td>https://www.globtek.com/pdf/iso_certificates/REACH.pdf</td> <td></td> </tr> <tr> <td>Conflict Minerals Declaration</td> <td>https://www.globtek.com/pdf/conflict-minerals.pdf</td> <td></td> </tr> <tr> <td>Prop 65 Statement</td> <td>https://en.globtek.com/prop-65-statement.pdf</td> <td></td> </tr> <tr> <td>CE.UKCA.Cord</td> <td>https://globtek.secure.force.com/spec/ec_decl_product_model_family_incl_cord?id=01t3a000005gdsW</td> <td></td> </tr> </tbody> </table>			Plug Approvals	Cable Approvals	Connector Approvals	AGENCY ONLINE DOCUMENTS	http://www.globtek.info/certs/USB%20cables/		RoHS/RoHS3 Declaration	https://www.globtek.com/pdf/rohs_cert/01t3a000005gdsWAAQ		REACH Declaration	https://www.globtek.com/pdf/iso_certificates/REACH.pdf		Conflict Minerals Declaration	https://www.globtek.com/pdf/conflict-minerals.pdf		Prop 65 Statement	https://en.globtek.com/prop-65-statement.pdf		CE.UKCA.Cord	https://globtek.secure.force.com/spec/ec_decl_product_model_family_incl_cord?id=01t3a000005gdsW	
Plug Approvals	Cable Approvals	Connector Approvals																					
AGENCY ONLINE DOCUMENTS	http://www.globtek.info/certs/USB%20cables/																						
RoHS/RoHS3 Declaration	https://www.globtek.com/pdf/rohs_cert/01t3a000005gdsWAAQ																						
REACH Declaration	https://www.globtek.com/pdf/iso_certificates/REACH.pdf																						
Conflict Minerals Declaration	https://www.globtek.com/pdf/conflict-minerals.pdf																						
Prop 65 Statement	https://en.globtek.com/prop-65-statement.pdf																						
CE.UKCA.Cord	https://globtek.secure.force.com/spec/ec_decl_product_model_family_incl_cord?id=01t3a000005gdsW																						
IPXY rating is based on 3rd party testing and customers should check suitability and test system level IPXY rating before ordering.																							

PROPRIETARY INFORMATION

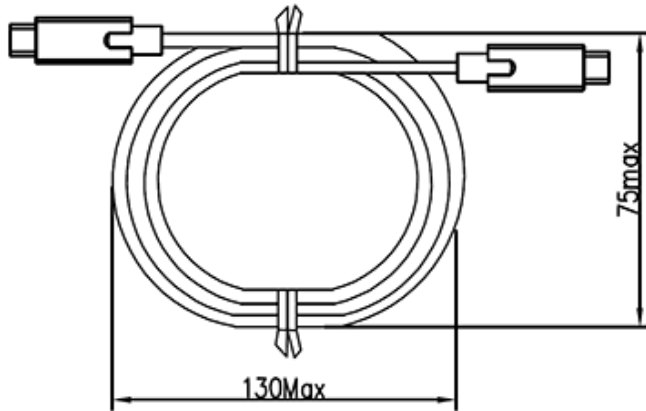
PROPRIETARY OF GLOBTEK, INC. ANY REPRODUCTION, DISCLOSURE OR USE OF THIS DRAWING, IN WHOLE OR IN PART, IS HEREBY PROHIBITED EXCEPT AS SPECIFIED IN WRITING BY GLOBTEK, INC. © GlobTek, Inc. 2022 - 2025

quest /11/11/2025 10:56:33 PM CLONED FROM USB5MIC27253M0USBCW(R)

<p>GlobTek, Inc. www.globtek.com 186 Veterans Drive, Northvale, NJ 07647 Tel. (201) 784-1000 Fax (201) 784-0111</p>	<p>Drawing Title: Micro USB 5 pin (451-02180382) to USB Type C(C-CPK03-0036) no resistance or equal +(Top-Case and Bottom-Case) compliant with Directive (EU) 2022/2380 and 2014/53/EU Radio Equipment Directive (RED), GT Cable #UL 2725 28AWG*1P(White, Green)+ 20AWG*2C(Black, Red) +AL+Braid (Black): SEE CODE / 4 + SHIELD Conductors, 5.0mm OD, UL 2725, 80° Deg.C, 28AWG*1P(Green&White) + 20AWG*2C(Red&Black), , 3000±50mmGlobTek Black</p> <p>Model No. Low voltage cable</p> <p>Part No./Ordering No. USB5MIC27253M0USBCB(R)</p>	<p>Rev A2</p>
---	--	---------------

CUSTOMIZED LENGTHS, COLORS, CABLE TYPES, TERMINATIONS/PLUGS/RECEPTACLES AVAILABLE UPON REQUEST. ADDITIONAL PLUG OPTIONS ARE AVAILABLE AT <https://www.globtek.com/connectors/> STANDARD PLUGS AND CONNECTORS CAN BE SEEN ONLINE AT <https://www.globtek.com/connectors/> ACTUAL CONNECTORS, OVERMOLDS, FERRITES MAY VARY SLIGHTLY FROM THE PICTURE BELOW DIMENSIONS ARE IN MM UNLESS SPECIFIED OTHERWISE

Hanking: 130 COIL USBC
Description:130.0 MAX
Image:



<p>GlobTek, Inc. www.globtek.com 186 Veterans Drive, Northvale, NJ 07647 Tel. (201) 784-1000 Fax (201) 784-0111</p>	<p>Drawing Title: Micro USB 5 pin (451-02180382) to USB Type C(C-CPK03-0036) no resistance or equal +(Top-Case and Bottom-Case) compliant with Directive (EU) 2022/2380 and 2014/53/EU Radio Equipment Directive (RED), GT Cable #UL 2725 28AWG*1P(White, Green)+ 20AWG*2C(Black, Red) +AL+Braid (Black): SEE CODE / 4 + SHIELD Conductors, 5.0mm OD, UL 2725, 80° Deg.C, 28AWG*1P(Green&White) + 20AWG*2C(Red&Black), , 3000±50mmGlobTek Black</p>	
	<p>Model No. Low voltage cable</p>	
	<p>Part No./Ordering No. USB5MIC27253M0USBCB(R)</p>	<p>Rev A2</p>

CUSTOMIZED LENGTHS, COLORS, CABLE TYPES, TERMINATIONS/PLUGS/RECEPTACLES AVAILABLE UPON REQUEST. ADDITIONAL PLUG OPTIONS ARE AVAILABLE AT <https://www.globtek.com/connectors/> STANDARD PLUGS AND CONNECTORS CAN BE SEEN ONLINE AT <https://www.globtek.com/connectors/> ACTUAL CONNECTORS, OVERMOLDS, FERRITES MAY VARY SLIGHTLY FROM THE PICTURE BELOW DIMENSIONS ARE IN MM UNLESS SPECIFIED OTHERWISE

Notes/Modifications/Customizations (notes in this section supersede the values shown in the standard spec):
