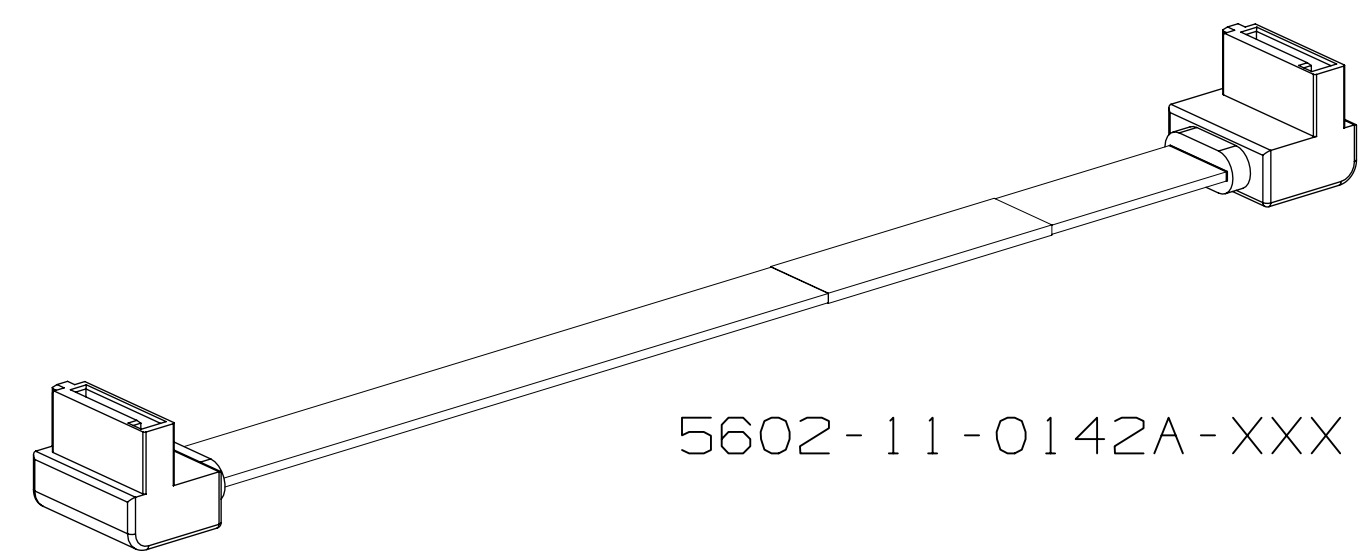
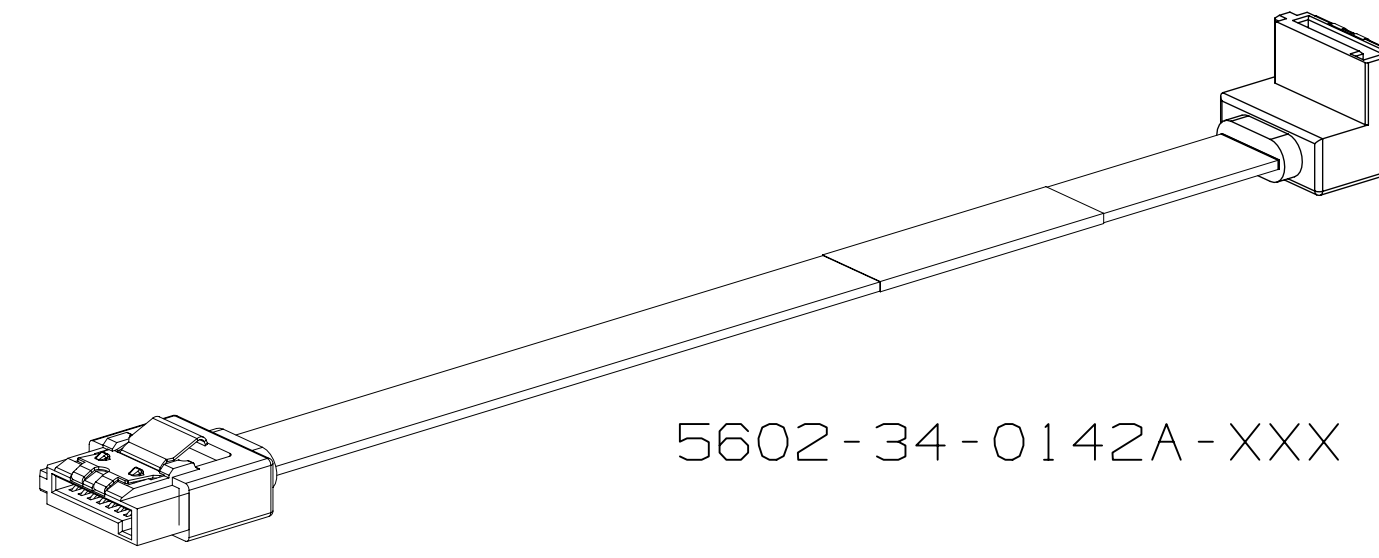


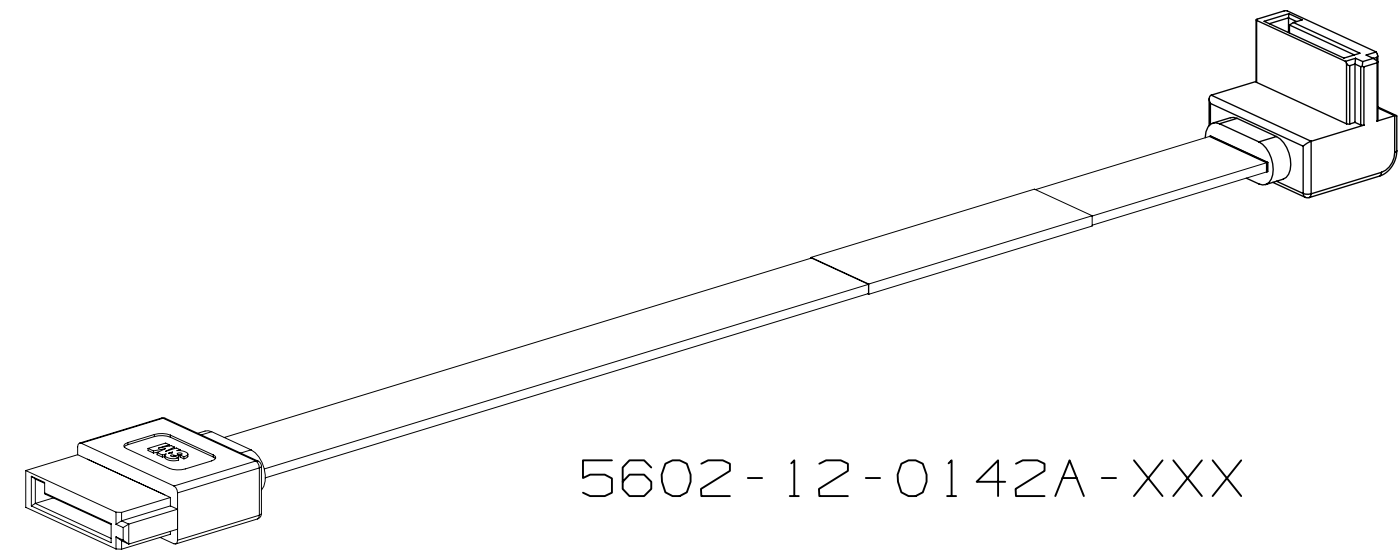
3M™ HIGH ROUTABILITY INTERNAL SATA CABLE ASSEMBLY, 5602 SERIES  
 7 PIN TWINAX CABLE ASSEMBLY, STRAIGHT AND RIGHT ANGLE, WITH AND WITHOUT LATCH



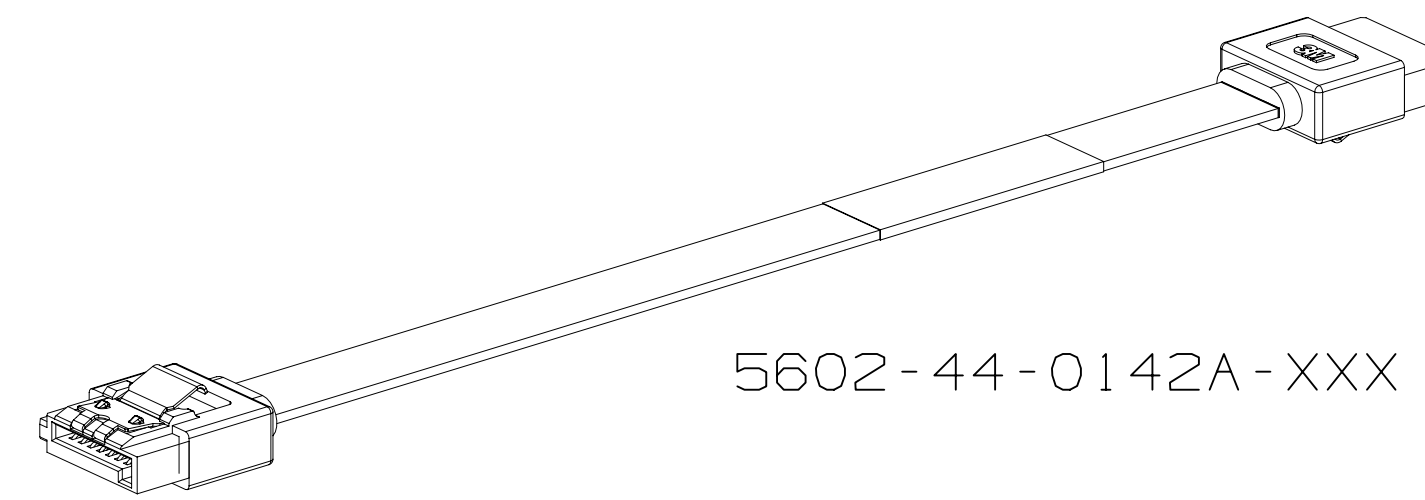
5602-11-0142A-XXX



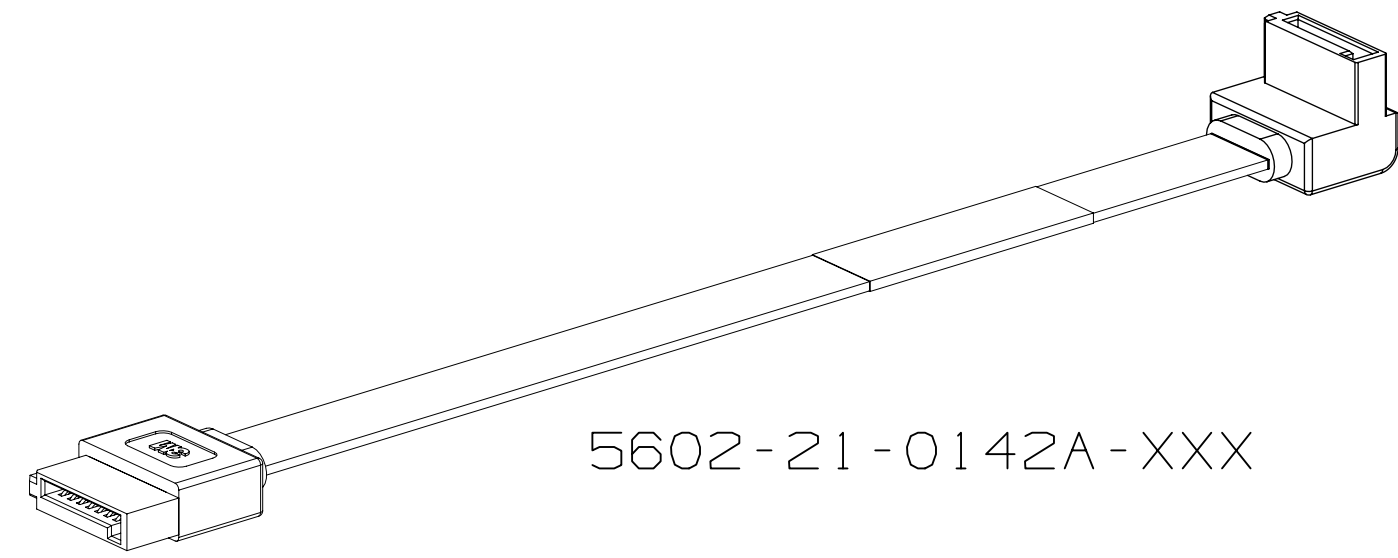
5602-34-0142A-XXX



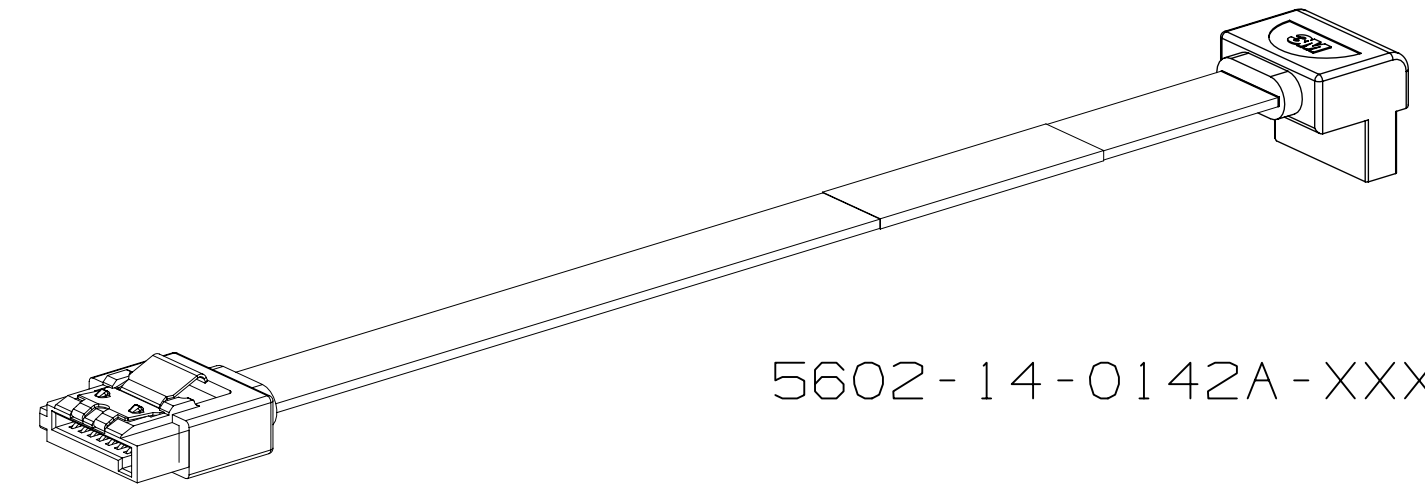
5602-12-0142A-XXX



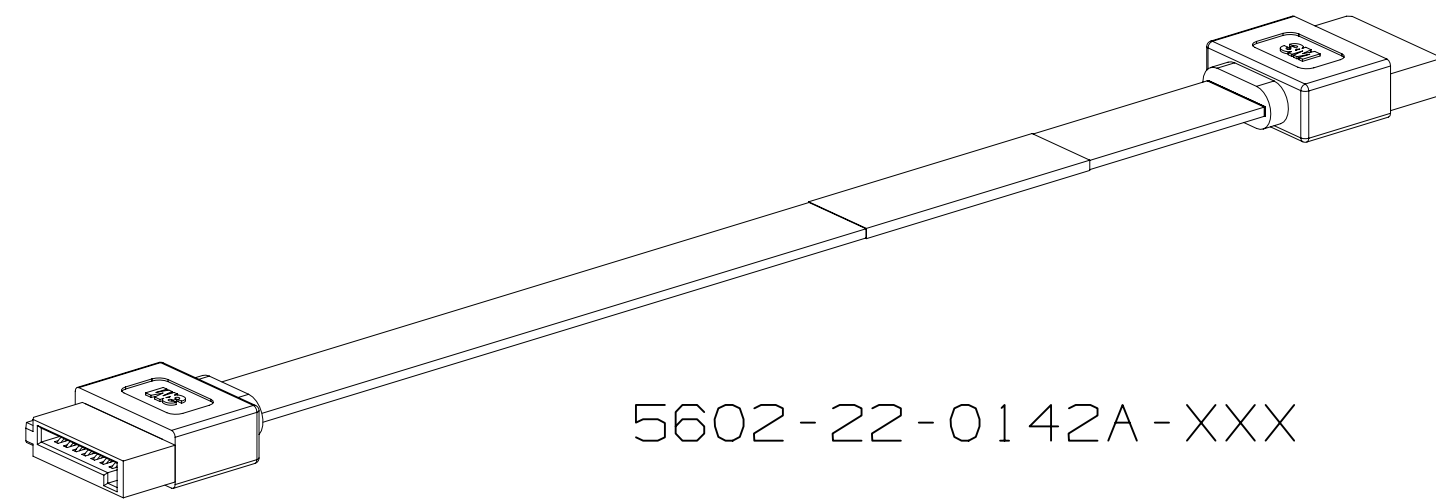
5602-44-0142A-XXX



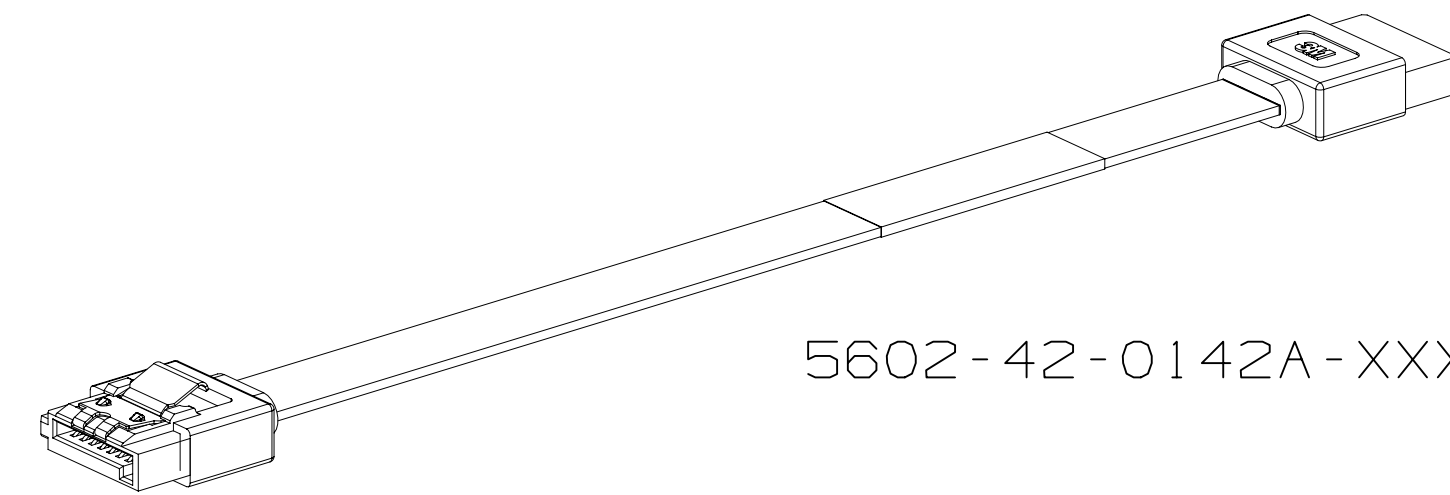
5602-21-0142A-XXX



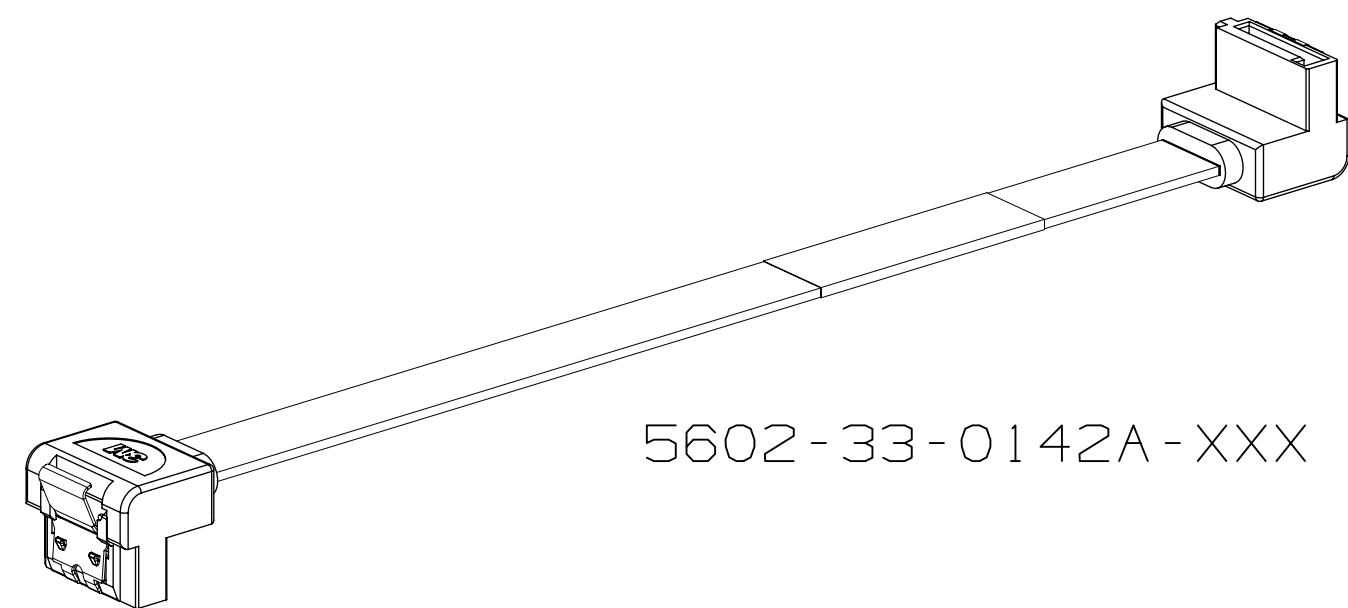
5602-14-0142A-XXX



5602-22-0142A-XXX



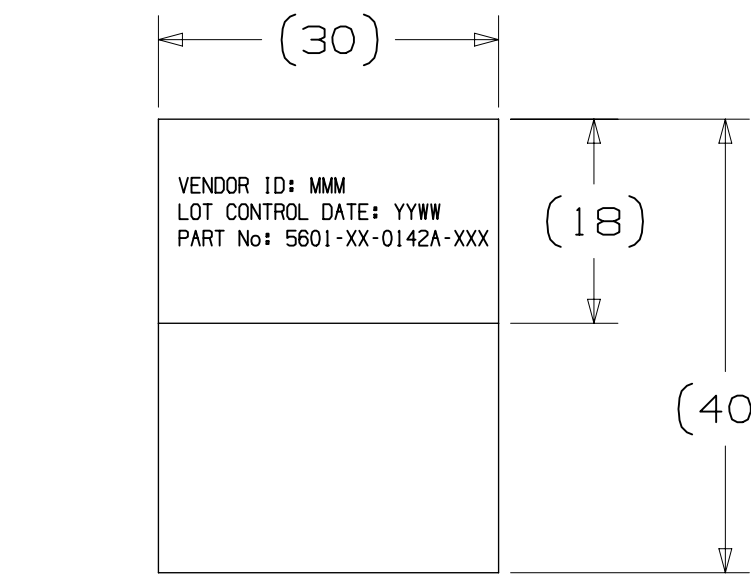
5602-42-0142A-XXX



5602-33-0142A-XXX

PIN OUT, TYPICAL

| P1 | TYPE | TYPE | P2 |
|----|------|------|----|
| 1  | G    | G    | 1  |
| 2  | A+   | A+   | 2  |
| 3  | A-   | A-   | 3  |
| 4  | G    | G    | 4  |
| 5  | B-   | B-   | 5  |
| 6  | B+   | B+   | 6  |
| 7  | G    | G    | 7  |



LABEL (TYPICAL DIMENSIONS)

- NOTES
- REGULATORY INFORMATION: VISIT 3M.com/regs
  - FOR CUSTOM CABLE LENGTH, CONTACT 3M SALES REP.
  - CABLE PART NUMBER: SL8803/04-10DN5-00.
  - PRODUCT SPECIFICATION: PS-0117.
  - PVC OVERMOLDING AND PE INNER MOLDING AT BOTH ENDS.
  - PRODUCT MEETS SATA 3.0 SIGNAL INTEGRITY SPECIFICATIONS.
  - LENGTH TOLERANCE: ±5 MM FOR LENGTHS LESS THAN 0.5 M. ±10 MM FOR LENGTHS 0.5 TO 1.0 M.
  - UNLESS OTHERWISE NOTED, REFERENCES TO INDUSTRY SPECIFICATIONS ARE INTENDED TO INDICATE SUBSTANTIAL COMPLIANCE TO THE MATERIAL ELEMENTS OF THE SPECIFICATION. SUCH REFERENCES SHOULD NOT BE CONSTRUED AS A GUARANTEE OF COMPLIANCE TO ALL REQUIREMENTS IN A GIVEN SPECIFICATION.
  - SEE TS-2591 FOR PVC JACKETED SATA 7 PIN TWINAX CABLE ASS'Y.
  - CABLE:
    - \* RIBBON TWINAX, SL8803/04.
    - \* UL: AWM 21008.
    - \* VOLTAGE RATING: 150V.
    - \* TEMPERATURE RATING: 80C°.
    - \* SIGNAL WIRES: 30 AWG SILVER PLATED COPPER.
  - SATA CONNECTORS:
    - \* 7 PIN FEMALE, STRAIGHT OR RIGHT ANGLE.
    - \* COLOR: BLACK, GLASS FILLED PBT.
    - \* PLATING: 15µ" AU.

3M ELECTRONICS MATERIALS SOLUTIONS DIVISION  
 INTERCONNECT SOLUTIONS  
<http://www.3M.com/interconnect>

3M IS A TRADEMARK OF 3M COMPANY.  
 FOR TECHNICAL, SALES OR ORDERING  
 INFORMATION CALL 800-225-5373

| REV | ECO    | ISSUE DATE AND DESCRIPTION         | DRFT | CHKD |
|-----|--------|------------------------------------|------|------|
| E   | 114747 | MAY 13, 2024<br>REVISE AND REDRAWN | JNC  | MML  |
| D   | 47119  | APR 09, 2013<br>ADD SHEET 8 & 9    | RV   | RV   |
| C   | 43801  | DEC 31, 2012<br>CABLE P/N CHANGE   | RV   | RV   |
| B   | 42030  | JUL 07, 2012<br>REVISED DRAWING    | RV   | RV   |
| A   | 37492  | SEP 05, 2011<br>REVISED DRAWING    | RV   | RV   |

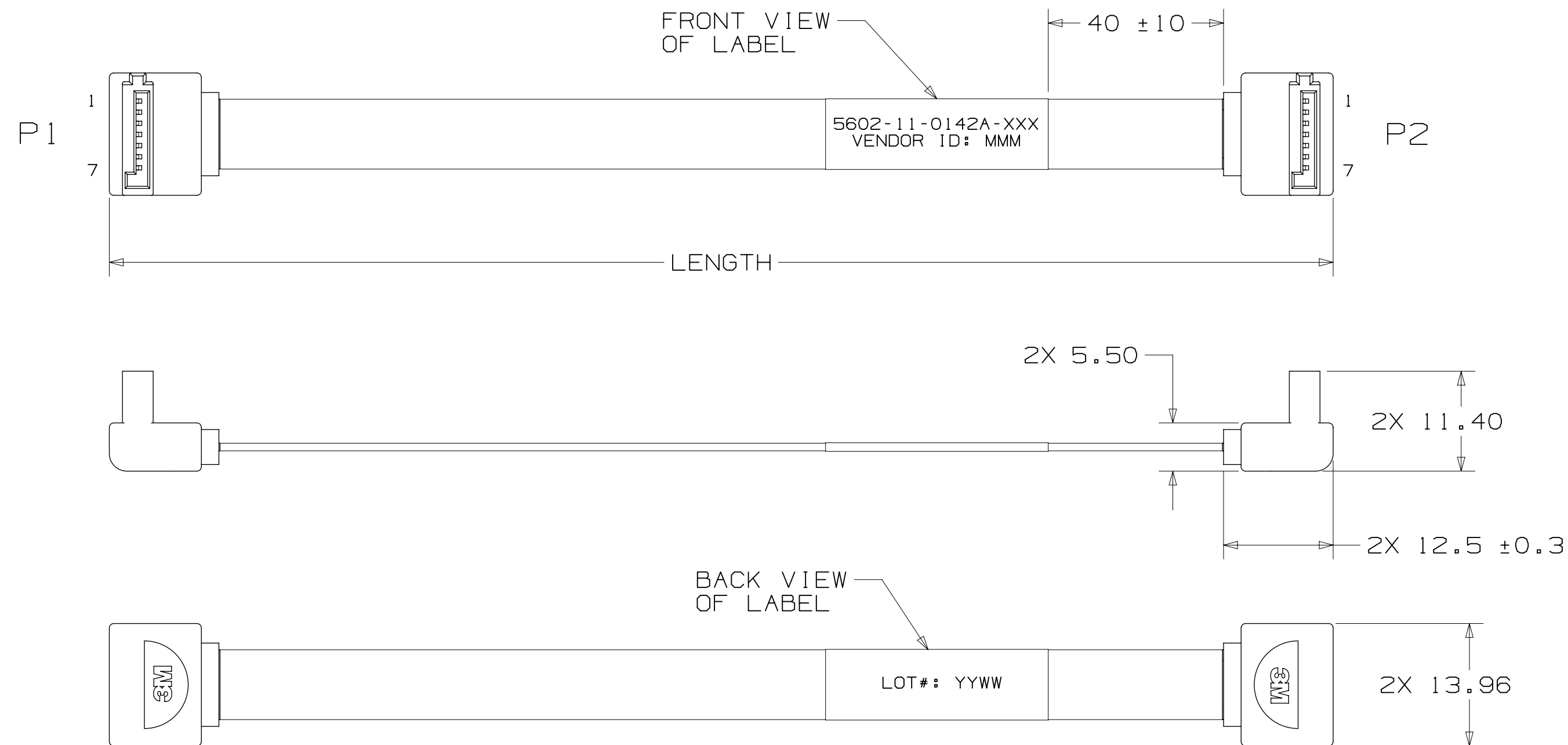
|                        |                                 |                            |   |                            |             |      |
|------------------------|---------------------------------|----------------------------|---|----------------------------|-------------|------|
| DESIGN REFERENCE       | NEXT ASSEMBLY                   | REV                        | ECO   | ISSUE DATE AND DESCRIPTION | DRFT        | CHKD |
|                        |                                 | RAO VITTAPALLI             |   | JUL 02, 2016               |             |      |
| DO NOT SCALE DRAWING   | SCALE                           | TOLERANCES EXCEPT AS NOTED | © 3M COPYR[IGHT] 2024<br>This document and the information it contains are 3M property and may not be reproduced or further distributed without 3M permission, or used or disclosed other than for 3M authorized purposes. All rights reserved. |                            |             |      |
| THIRD ANGLE PROJECTION | INTERPRET PER ASME Y14.5 - 2018 | MILLIMETERS                | TITLE<br>HIGH ROUTABILITY INTERNAL SATA CABLE ASSEMBLY  |                            |             |      |
| MAX SURFACE ROUGHNESS  | SURFACES                        | INCHES                     | CAGE NUMBER   | SIZE                       | DRAWING NO. | REV. |
| ✓ MARKED ONLY          |                                 |                            | D   | 78-5100-4897-4             | E           |      |

78-5100-4897-4  
DRAWING NUMBER

SHT 1 OF 7

3M™ HIGH ROUTABILITY INTERNAL SATA CABLE ASSEMBLY, 5602 SERIES  
7 PIN TWINAX CABLE ASSEMBLY, STRAIGHT AND RIGHT ANGLE, WITH AND WITHOUT LATCH

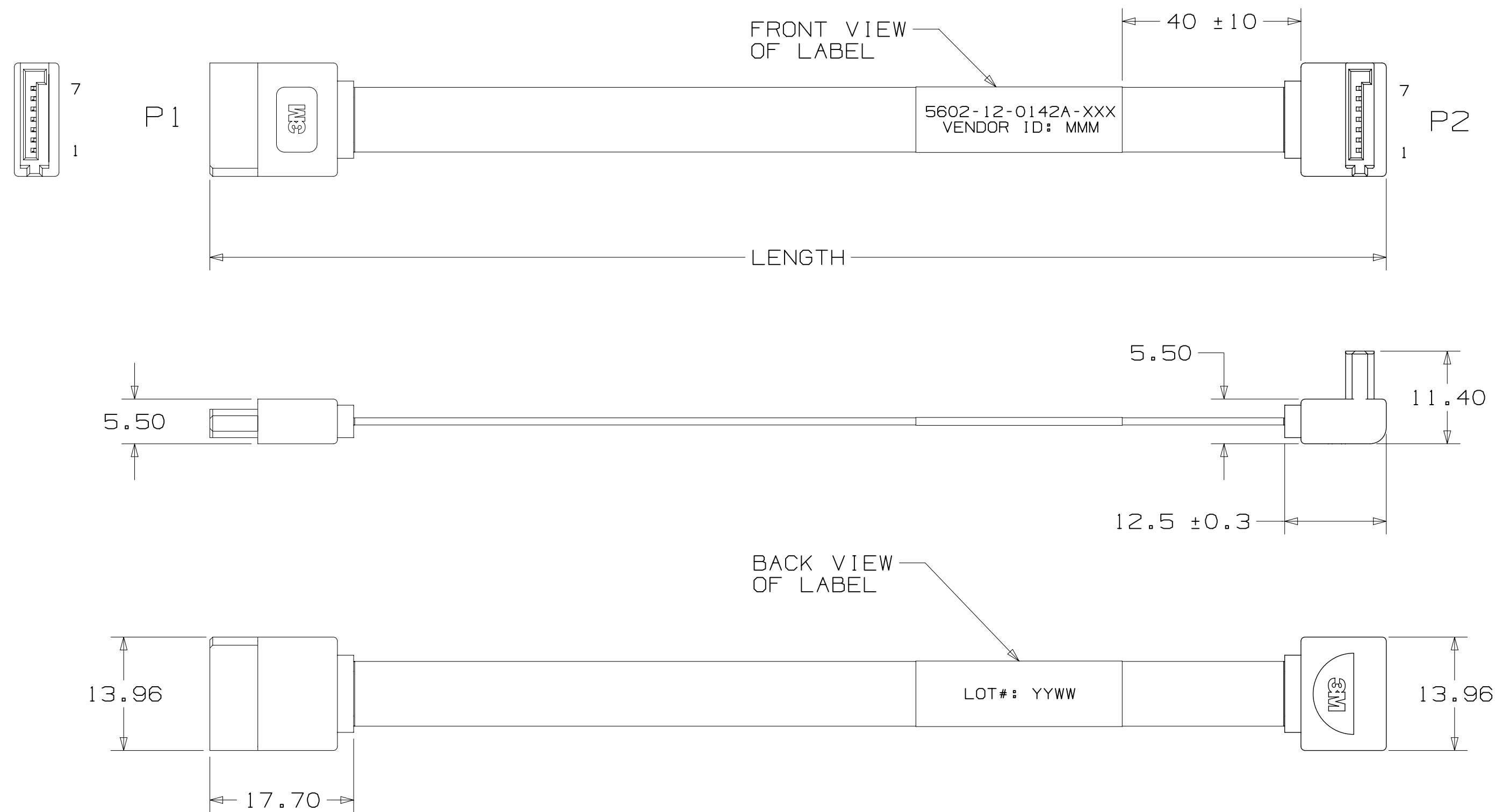
NOTES  
1. REFER TO SHEET 1 FOR NOTES.



| 3M PART NUMBER     | LENGTH (MM)<br>SEE NOTE 7 |
|--------------------|---------------------------|
| 5602-11-0142A-100  | 100                       |
| 5602-11-0142A-200  | 200                       |
| 5602-11-0142A-300  | 300                       |
| 5602-11-0142A-400  | 400                       |
| 5602-11-0142A-500  | 500                       |
| 5602-11-0142A-600  | 600                       |
| 5602-11-0142A-700  | 700                       |
| 5602-11-0142A-800  | 800                       |
| 5602-11-0142A-900  | 900                       |
| 5602-11-0142A-1000 | 1000                      |

RIGHT ANGLE TO RIGHT ANGLE  
WITHOUT LATCHES  
ORDERING INFORMATION  
5602-11-0142A-XXX

LENGTH IN MM,  
XXX REFERS TO 1000mm.



| 3M PART NUMBER     | LENGTH (MM)<br>SEE NOTE 7 |
|--------------------|---------------------------|
| 5602-12-0142A-100  | 100                       |
| 5602-12-0142A-200  | 200                       |
| 5602-12-0142A-300  | 300                       |
| 5602-12-0142A-400  | 400                       |
| 5602-12-0142A-500  | 500                       |
| 5602-12-0142A-600  | 600                       |
| 5602-12-0142A-700  | 700                       |
| 5602-12-0142A-800  | 800                       |
| 5602-12-0142A-900  | 900                       |
| 5602-12-0142A-1000 | 1000                      |

STRAIGHT TO RIGHT ANGLE  
WITHOUT LATCHES  
ORDERING INFORMATION  
5602-12-0142A-XXX

LENGTH IN MM,  
XXX REFERS TO 1000mm.

3M ELECTRONICS MATERIALS SOLUTIONS DIVISION  
INTERCONNECT SOLUTIONS  
<http://www.3M.com/interconnect>

3M IS A TRADEMARK OF 3M COMPANY.  
FOR TECHNICAL, SALES OR ORDERING  
INFORMATION CALL 800-225-5373

| DESIGN REFERENCE | NEXT ASSEMBLY | REV | ECO | ISSUE DATE AND DESCRIPTION | DRFT | CHKD |
|------------------|---------------|-----|-----|----------------------------|------|------|
|                  |               |     |     | MAY 13, 2024               | JNC  | MML  |
|                  |               |     |     | REVISE AND REDRAWN         |      |      |
|                  |               |     |     | APR 09, 2013               | RV   | RV   |
|                  |               |     |     | ADD SHEET 8 & 9            |      |      |
|                  |               |     |     | DEC 31, 2012               | RV   | RV   |
|                  |               |     |     | CABLE P/N CHANGE           |      |      |
|                  |               |     |     | JUL 07, 2012               | RV   | RV   |
|                  |               |     |     | REVISED DRAWING            |      |      |
|                  |               |     |     | SEP 05, 2011               | RV   | RV   |
|                  |               |     |     | REVISED DRAWING            |      |      |

| REV            | ECO | ISSUE DATE AND DESCRIPTION | DRFT | CHKD |
|----------------|-----|----------------------------|------|------|
| RAO VITTAPALLI |     | JUL 02, 2016               |      |      |
| RAO VITTAPALLI |     | JUL 02, 2016               |      |      |

|                                 |             |                            |
|---------------------------------|-------------|----------------------------|
| DO NOT SCALE DRAWING            | SCALE       | TOLERANCES EXCEPT AS NOTED |
| THIRD ANGLE PROJECTION          | INCHES      | .00 ± .00                  |
| INTERPRET PER ASME Y14.5 - 2018 | MILLIMETERS | .00 ± .02                  |
| MAX SURFACE ROUGHNESS           |             | .00 ± 0.15                 |
| MARKED ONLY                     |             | .000 ± 0.05                |

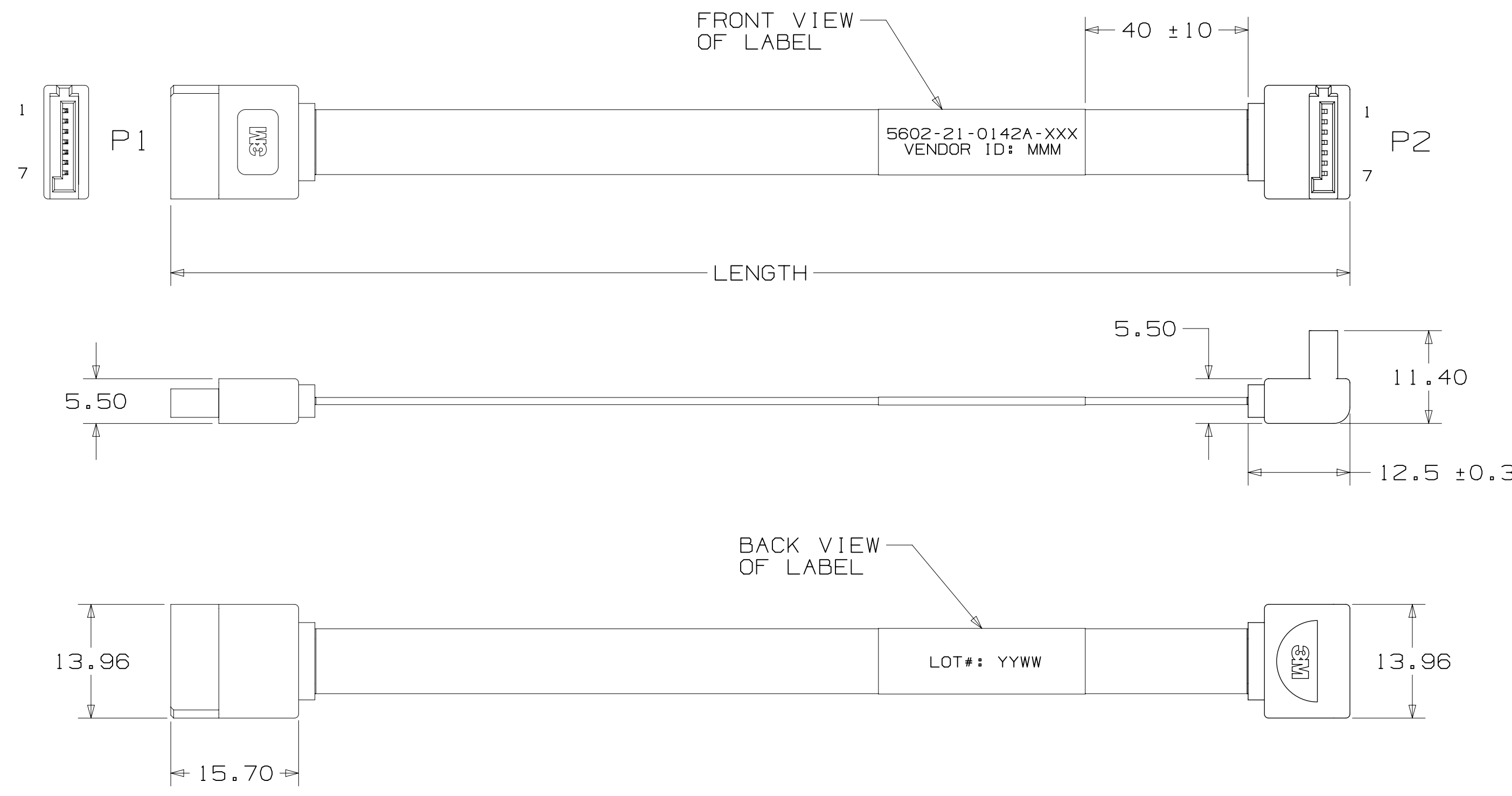
  

|  |       |                |   |            |  |
|--|-------|----------------|---|------------|--|
| 3M Center St. Paul, MN 55144   |       |                | © 3M COPYRIGHT 2024                           |            |  |
| This document and the information it contains are 3M property and may not be reproduced or further distributed without 3M permission, or used or disclosed other than for 3M authorized purposes. All rights reserved. |       |                |   |            |  |
| TITLE  |       |                | HIGH ROUTABILITY INTERNAL SATA CABLE ASSEMBLY |            |  |
| CAGE NUMBER  | SIZE  | DRAWING NO.    | REV.  |            |  |
| D  |       | 78-5100-4897-4 | E   |            |  |
| MODEL  | LISTS | YES            | NO  | SHT 2 OF 7 |  |

DRAWING NUMBER 78-5100-4897-4

3M™ HIGH ROUTABILITY INTERNAL SATA CABLE ASSEMBLY, 5602 SERIES  
 7 PIN TWINAX CABLE ASSEMBLY, STRAIGHT AND RIGHT ANGLE, WITH AND WITHOUT LATCH

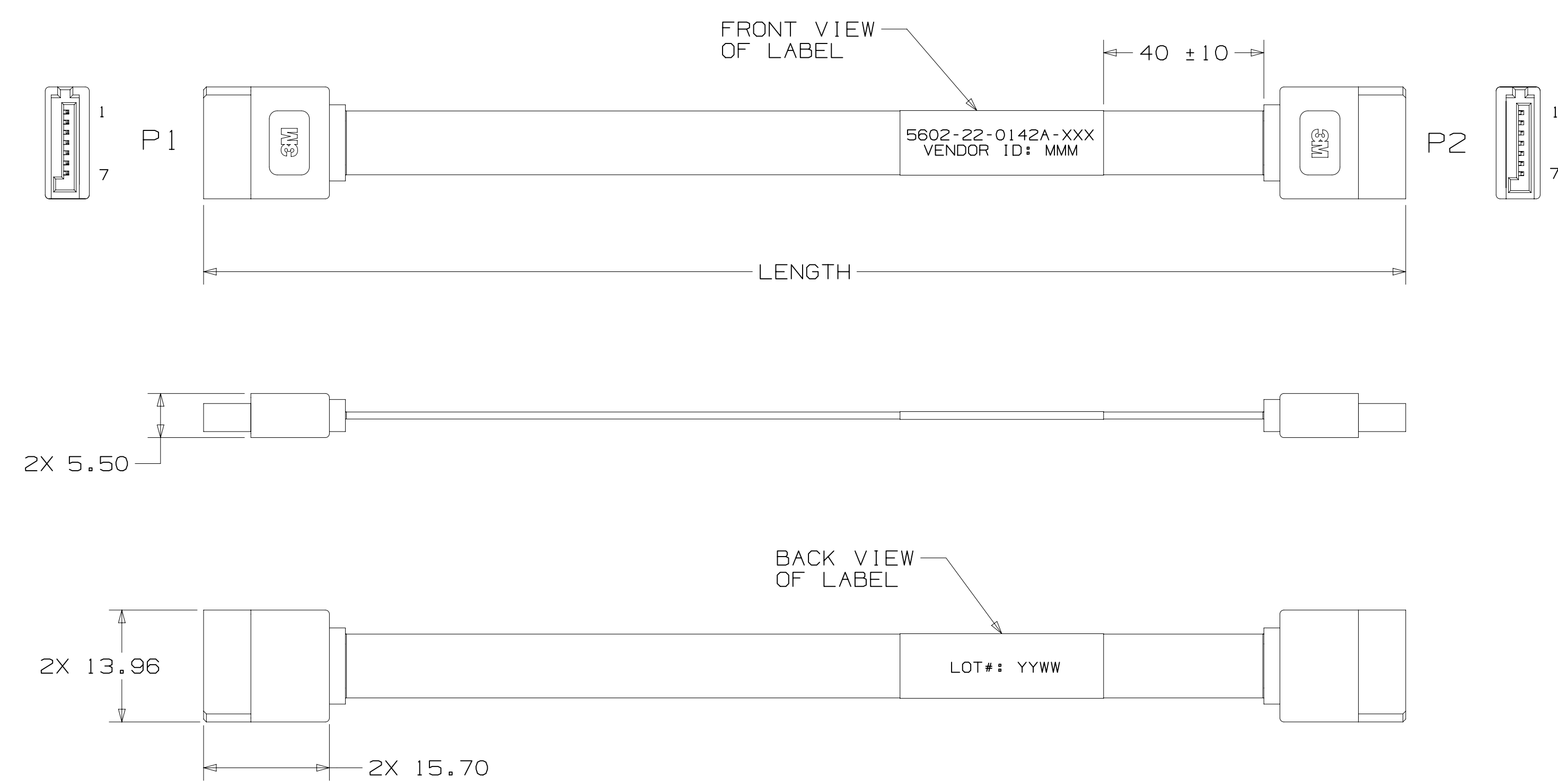
NOTES  
 1. REFER TO SHEET 1 FOR NOTES.



| 3M PART NUMBER     | LENGTH (MM)<br>SEE NOTE 7 |
|--------------------|---------------------------|
| 5602-21-0142A-100  | 100                       |
| 5602-21-0142A-200  | 200                       |
| 5602-21-0142A-300  | 300                       |
| 5602-21-0142A-400  | 400                       |
| 5602-21-0142A-500  | 500                       |
| 5602-21-0142A-600  | 600                       |
| 5602-21-0142A-700  | 700                       |
| 5602-21-0142A-800  | 800                       |
| 5602-21-0142A-900  | 900                       |
| 5602-21-0142A-1000 | 1000                      |

STRAIGHT TO RIGHT ANGLE  
 WITHOUT LATCHES  
 ORDERING INFORMATION  
 5602-21-0142A-XXX

LENGTH IN MM,  
 XXX REFERS TO 1000mm.



| 3M PART NUMBER     | LENGTH (MM)<br>SEE NOTE 7 |
|--------------------|---------------------------|
| 5602-22-0142A-100  | 100                       |
| 5602-22-0142A-200  | 200                       |
| 5602-22-0142A-300  | 300                       |
| 5602-22-0142A-400  | 400                       |
| 5602-22-0142A-500  | 500                       |
| 5602-22-0142A-600  | 600                       |
| 5602-22-0142A-700  | 700                       |
| 5602-22-0142A-800  | 800                       |
| 5602-22-0142A-900  | 900                       |
| 5602-22-0142A-1000 | 1000                      |

STRAIGHT TO STRAIGHT  
 WITHOUT LATCHES  
 ORDERING INFORMATION  
 5602-22-0142A-XXX

LENGTH IN MM,  
 XXX REFERS TO 1000mm.

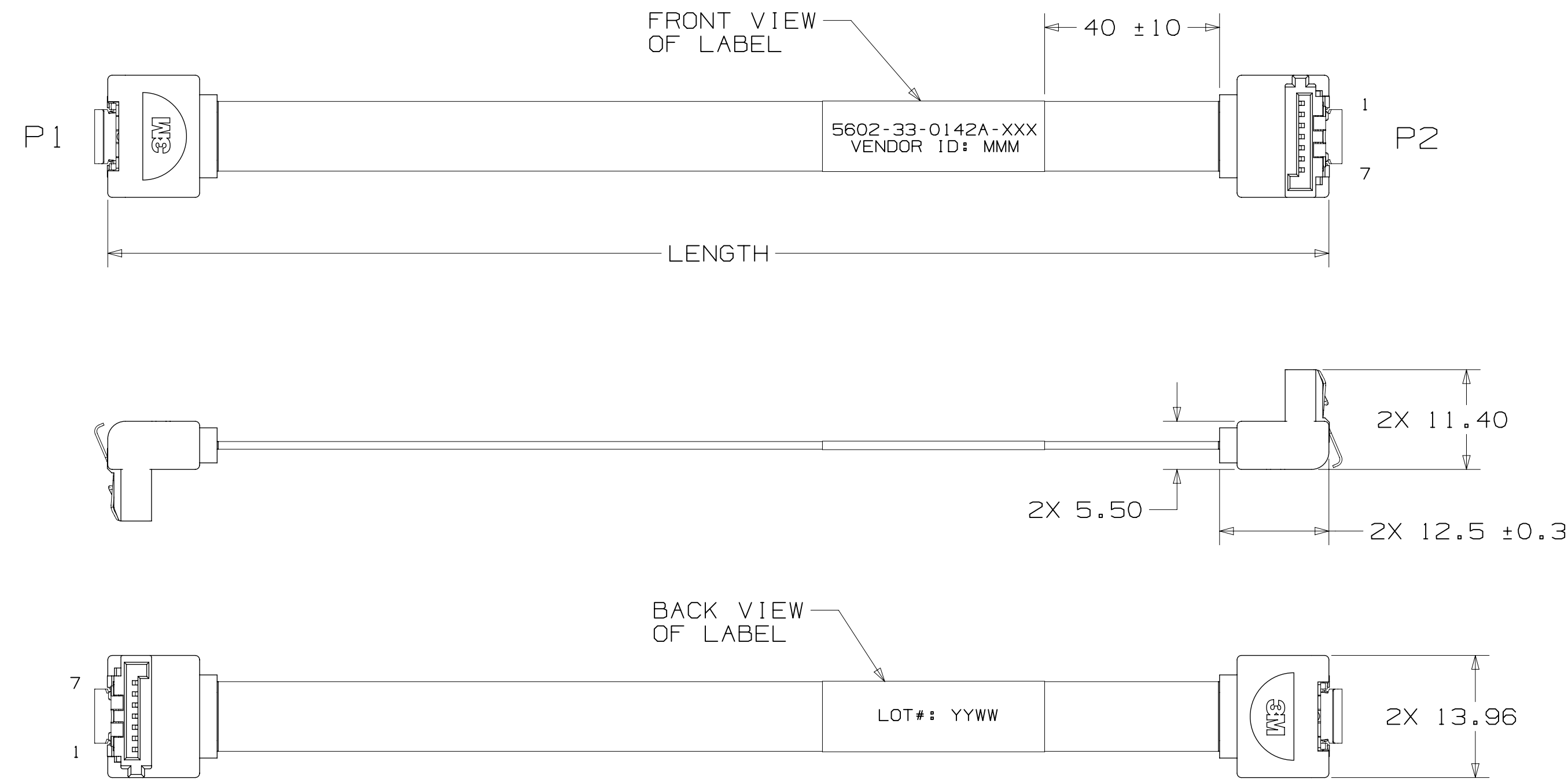
3M ELECTRONICS MATERIALS SOLUTIONS DIVISION  
 INTERCONNECT SOLUTIONS  
<http://www.3m.com/interconnect>  
 3M IS A TRADEMARK OF 3M COMPANY.  
 FOR TECHNICAL, SALES OR ORDERING  
 INFORMATION CALL 800-225-5373

|   |               |                            |     |                            |      |      |
|---|---------------|----------------------------|-----|----------------------------|------|------|
| DESIGN REFERENCE                              | NEXT ASSEMBLY | REV                        | ECO | ISSUE DATE AND DESCRIPTION | DRFT | CHKD |
|   |               |                            |     | RAO VITTAPALLI             |      |      |
|   |               |                            |     | RAO VITTAPALLI             |      |      |
| DIVISION                                      |               | DIVISION CODE              |     | DATE                       |      |      |
|   |               | EMSD                       |     | MFG                        |      |      |
| DO NOT SCALE DRAWING                          |               | SCALE                      |     | TOLERANCES EXCEPT AS NOTED |      |      |
| THIRD ANGLE PROJECTION                        |               | TOLERANCES EXCEPT AS NOTED |     | INCHES                     |      |      |
| INTERPRET PER ASME Y14.5 - 2018               |               | TOLERANCES EXCEPT AS NOTED |     | MILLIMETERS                |      |      |
| MAX SURFACE ROUGHNESS                         |               | TOLERANCES EXCEPT AS NOTED |     | 0 ± 2                      |      |      |
| SURFACES                                      |               | TOLERANCES EXCEPT AS NOTED |     | 0 ± 0.25                   |      |      |
| MARKED ONLY                                   |               | TOLERANCES EXCEPT AS NOTED |     | .00 ± 0.15                 |      |      |
|   |               | TOLERANCES EXCEPT AS NOTED |     | .000 ± 0.05                |      |      |
|   |               | TOLERANCES EXCEPT AS NOTED |     | ANGLES                     |      |      |
| TITLE   |               |                            |     | CAGE NUMBER                |      |      |
| HIGH ROUTABILITY INTERNAL SATA CABLE ASSEMBLY |               |                            |     | D 78-5100-4897-4           |      |      |
| MODEL   |               |                            |     | REV. E                     |      |      |
|   |               |                            |     | SHT 3 OF 7                 |      |      |

78-5100-4897-4  
DRAWING NUMBER

3M™ HIGH ROUTABILITY INTERNAL SATA CABLE ASSEMBLY, 5602 SERIES  
 7 PIN TWINAX CABLE ASSEMBLY, STRAIGHT AND RIGHT ANGLE, WITH AND WITHOUT LATCH

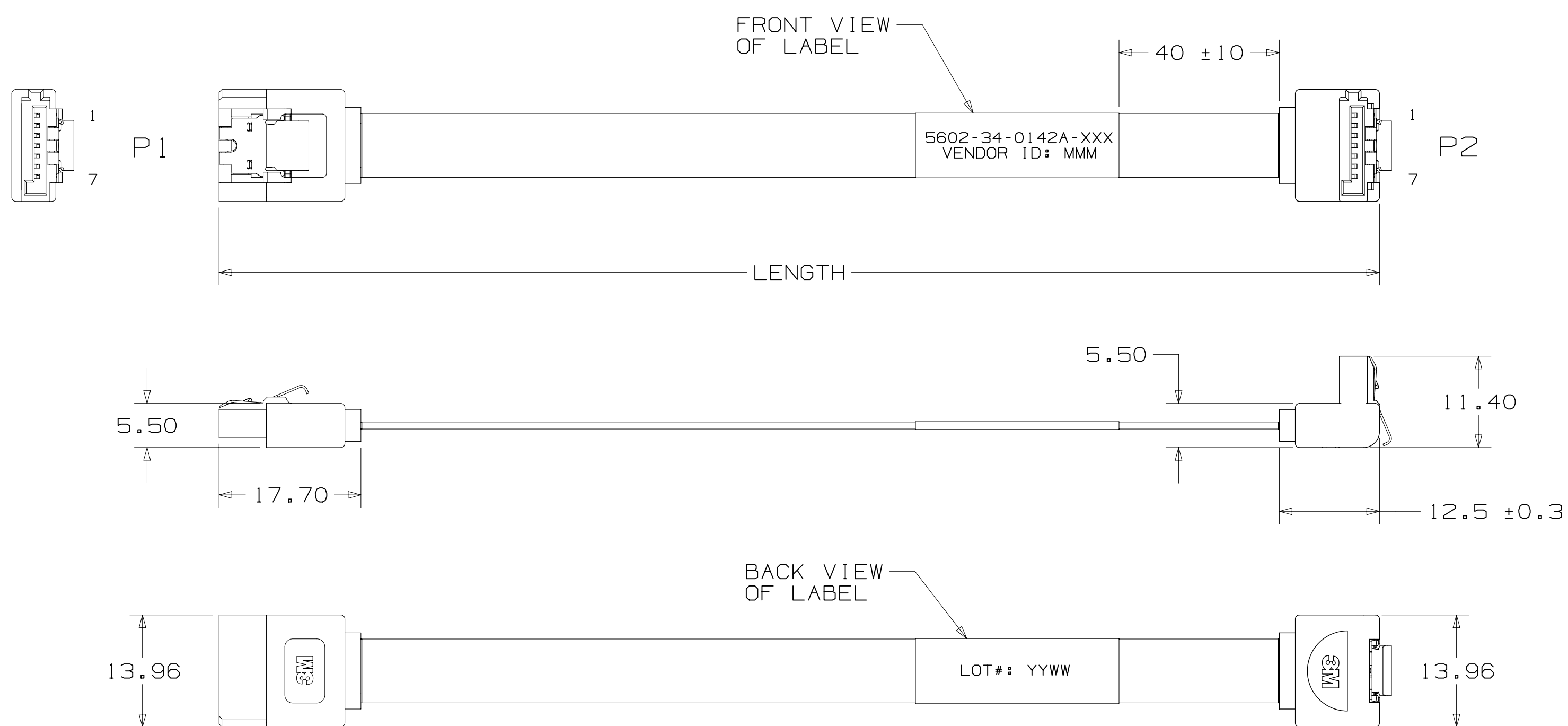
NOTES  
 1. REFER TO SHEET 1 FOR NOTES.



| 3M PART NUMBER     | LENGTH (MM)<br>SEE NOTE 7 |
|--------------------|---------------------------|
| 5602-33-0142A-100  | 100                       |
| 5602-33-0142A-200  | 200                       |
| 5602-33-0142A-300  | 300                       |
| 5602-33-0142A-400  | 400                       |
| 5602-33-0142A-500  | 500                       |
| 5602-33-0142A-600  | 600                       |
| 5602-33-0142A-700  | 700                       |
| 5602-33-0142A-800  | 800                       |
| 5602-33-0142A-900  | 900                       |
| 5602-33-0142A-1000 | 1000                      |

RIGHT ANGLE TO RIGHT ANGLE  
 WITH LATCHES  
 ORDERING INFORMATION  
 5602-33-0142A-XXX

LENGTH IN MM,  
 XXX REFERS TO 1000mm.



| 3M PART NUMBER     | LENGTH (MM)<br>SEE NOTE 7 |
|--------------------|---------------------------|
| 5602-34-0142A-100  | 100                       |
| 5602-34-0142A-200  | 200                       |
| 5602-34-0142A-300  | 300                       |
| 5602-34-0142A-400  | 400                       |
| 5602-34-0142A-500  | 500                       |
| 5602-34-0142A-600  | 600                       |
| 5602-34-0142A-700  | 700                       |
| 5602-34-0142A-800  | 800                       |
| 5602-34-0142A-900  | 900                       |
| 5602-34-0142A-1000 | 1000                      |

STRAIGHT TO RIGHT ANGLE  
 WITH LATCHES  
 ORDERING INFORMATION  
 5602-34-0142A-XXX

LENGTH IN MM,  
 XXX REFERS TO 1000mm.

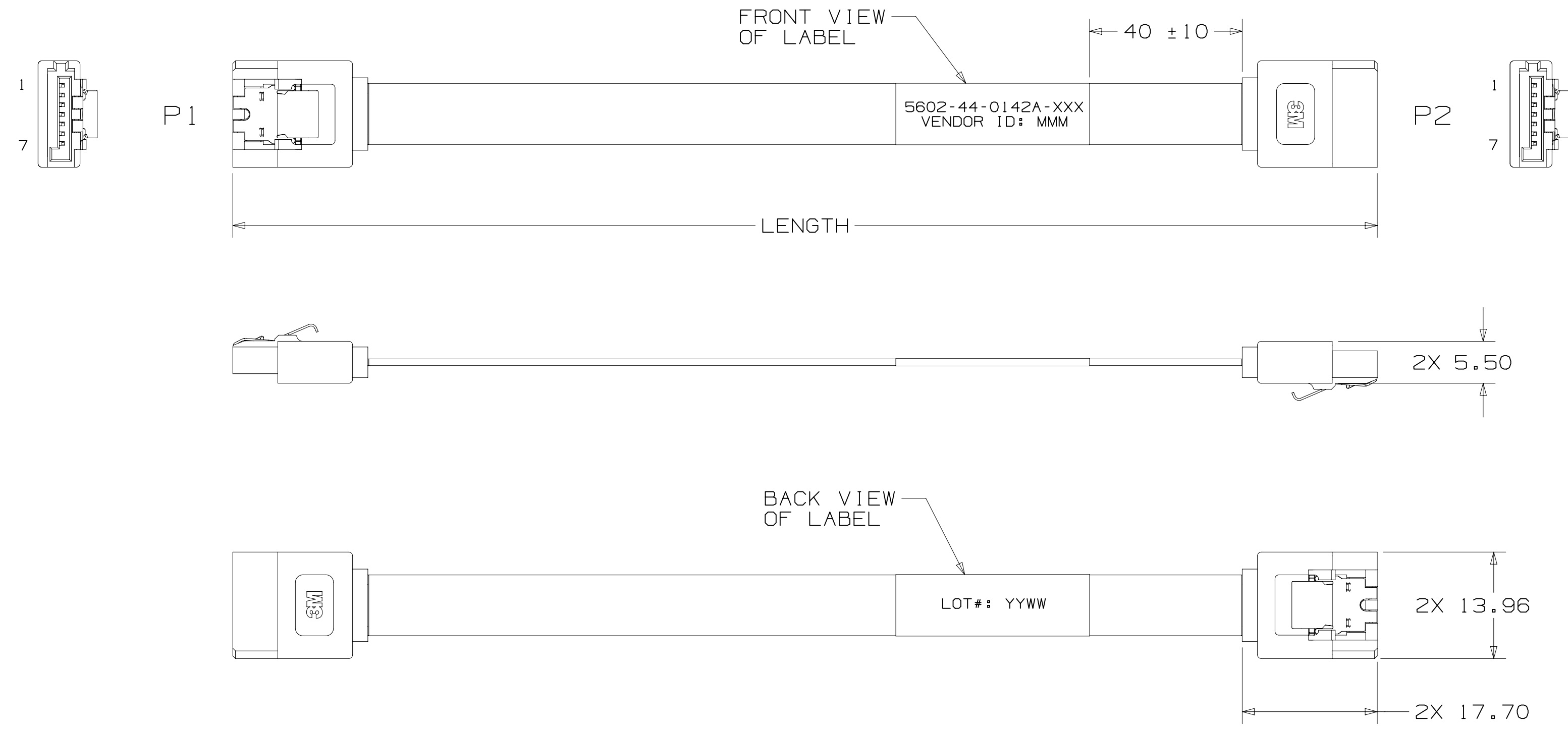
| REV | ECO    | ISSUE DATE AND DESCRIPTION         | DRFT | CHKD |
|-----|--------|------------------------------------|------|------|
| E   | 114747 | MAY 13, 2024<br>REVISE AND REDRAWN | JNC  | MML  |
| D   | 47119  | APR 09, 2013<br>ADD SHEET 8 & 9    | RV   | RV   |
| C   | 43801  | DEC 31, 2012<br>CABLE P/N CHANGE   | RV   | RV   |
| B   | 42030  | JUL 07, 2012<br>REVISED DRAWING    | RV   | RV   |
| A   | 37492  | SEP 05, 2011<br>REVISED DRAWING    | RV   | RV   |

3M ELECTRONICS MATERIALS SOLUTIONS DIVISION  
 INTERCONNECT SOLUTIONS  
<http://www.3m.com/interconnect>  
 3M IS A TRADEMARK OF 3M COMPANY.  
 FOR TECHNICAL, SALES OR ORDERING  
 INFORMATION CALL 800-225-5373

|                        |                                 |                            |   |                                |      |      |
|------------------------|---------------------------------|----------------------------|---|--------------------------------|------|------|
| DESIGN REFERENCE       | NEXT ASSEMBLY                   | REV                        | ECO   | ISSUE DATE AND DESCRIPTION     | DRFT | CHKD |
|                        |                                 |                            |   | RAO VITTAPALLI<br>JUL 02, 2016 |      |      |
| DO NOT SCALE DRAWING   | SCALE                           | TOLERANCES EXCEPT AS NOTED | © 3M COPYRIGHT 2024<br>This document and the information it contains are 3M property and may not be reproduced or further distributed without 3M permission, or used or disclosed other than for 3M authorized purposes. All rights reserved. |                                |      |      |
| THIRD ANGLE PROJECTION | INTERPRET PER ASME Y14.5 - 2018 | MILLIMETERS                | TITLE<br>HIGH ROUTABILITY INTERNAL SATA CABLE ASSEMBLY  |                                |      |      |
| MAX SURFACE ROUGHNESS  | SURFACES                        | INCHES                     | CAGE NUMBER<br>D 78-5100-4897-4   |                                |      |      |
| MARKED ONLY            | ANGLES                          |                            | DRAWING NO.<br>78-5100-4897-4   |                                |      |      |
|                        |                                 |                            | MODEL<br>DET: [ ] YES [X] NO SHT 4 OF 7   |                                |      |      |

3M™ HIGH ROUTABILITY INTERNAL SATA CABLE ASSEMBLY, 5602 SERIES  
7 PIN TWINAX CABLE ASSEMBLY, STRAIGHT AND RIGHT ANGLE, WITH AND WITHOUT LATCH

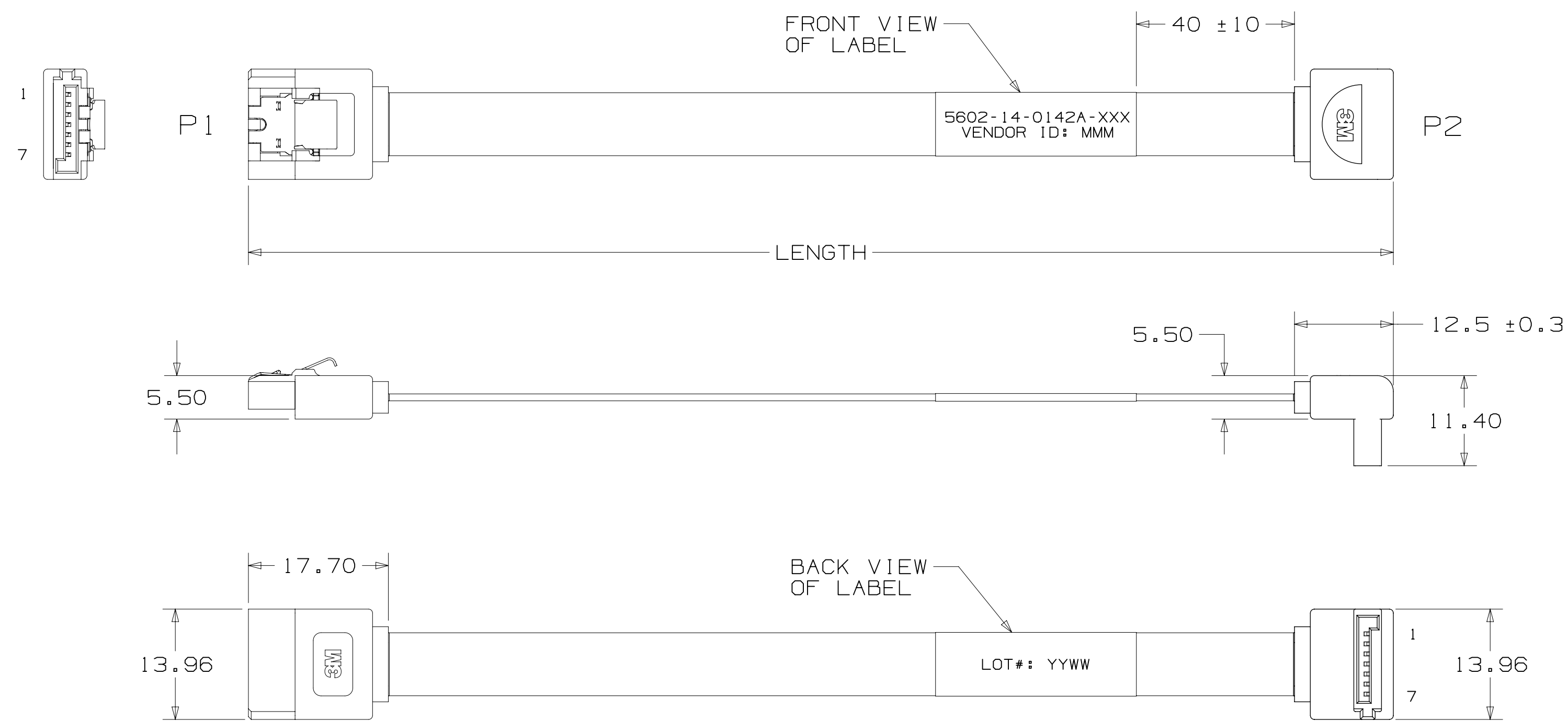
NOTES  
1. REFER TO SHEET 1 FOR NOTES.



| 3M PART NUMBER     | LENGTH (MM)<br>SEE NOTE 7 |
|--------------------|---------------------------|
| 5602-44-0142A-100  | 100                       |
| 5602-44-0142A-200  | 200                       |
| 5602-44-0142A-300  | 300                       |
| 5602-44-0142A-400  | 400                       |
| 5602-44-0142A-500  | 500                       |
| 5602-44-0142A-600  | 600                       |
| 5602-44-0142A-700  | 700                       |
| 5602-44-0142A-800  | 800                       |
| 5602-44-0142A-900  | 900                       |
| 5602-44-0142A-1000 | 1000                      |

STRAIGHT TO STRAIGHT  
WITH LATCHES  
ORDERING INFORMATION  
5602-44-0142A-XXX

LENGTH IN MM,  
XXX REFERS TO 1000mm.



| 3M PART NUMBER     | LENGTH (MM)<br>SEE NOTE 7 |
|--------------------|---------------------------|
| 5602-14-0142A-100  | 100                       |
| 5602-14-0142A-200  | 200                       |
| 5602-14-0142A-300  | 300                       |
| 5602-14-0142A-400  | 400                       |
| 5602-14-0142A-500  | 500                       |
| 5602-14-0142A-600  | 600                       |
| 5602-14-0142A-700  | 700                       |
| 5602-14-0142A-800  | 800                       |
| 5602-14-0142A-900  | 900                       |
| 5602-14-0142A-1000 | 1000                      |

STRAIGHT WITH LATCH TO  
RIGHT ANGLE WITHOUT LATCH  
ORDERING INFORMATION  
5602-14-0142A-XXX

LENGTH IN MM,  
XXX REFERS TO 1000mm.

3M ELECTRONICS MATERIALS SOLUTIONS DIVISION  
INTERCONNECT SOLUTIONS  
<http://www.3M.com/interconnect>  
3M IS A TRADEMARK OF 3M COMPANY.  
FOR TECHNICAL, SALES OR ORDERING  
INFORMATION CALL 800-225-5373

|                        |                                 |                            |   |                                |             |      |
|------------------------|---------------------------------|----------------------------|---|--------------------------------|-------------|------|
| DESIGN REFERENCE       | NEXT ASSEMBLY                   | REV                        | ECO   | ISSUE DATE AND DESCRIPTION     | DRFT        | CHKD |
|                        |                                 |                            |   | RAO VITTAPALLI<br>JUL 02, 2016 |             |      |
| DIVISION               | DIVISION CODE                   | DATE                       | DATE  | DATE                           | DATE        | DATE |
|                        | EMSD                            | RAO VITTAPALLI             | RAO VITTAPALLI  | SAJJIT BANDHU                  |             |      |
| DO NOT SCALE DRAWING   | SCALE                           | TOLERANCES EXCEPT AS NOTED |   |                                |             |      |
| THIRD ANGLE PROJECTION | INTERPRET PER ASME Y14.5 - 2018 | MILLIMETERS                | © 3M COPYRIGHT 2024<br>This document and the information it contains are 3M property and may not be reproduced or further distributed without 3M permission, or used or disclosed other than for 3M authorized purposes. All rights reserved. |                                |             |      |
| MAX SURFACE ROUGHNESS  | SURFACES                        | INCHES                     | TITLE<br>HIGH ROUTABILITY INTERNAL SATA CABLE ASSEMBLY  |                                |             |      |
| MARKED ONLY            | ANGLES                          |                            | CAGE NUMBER   | SIZE                           | DRAWING NO. | REV. |
|                        |                                 |                            | D   | 78-5100-4897-4                 | E           |      |

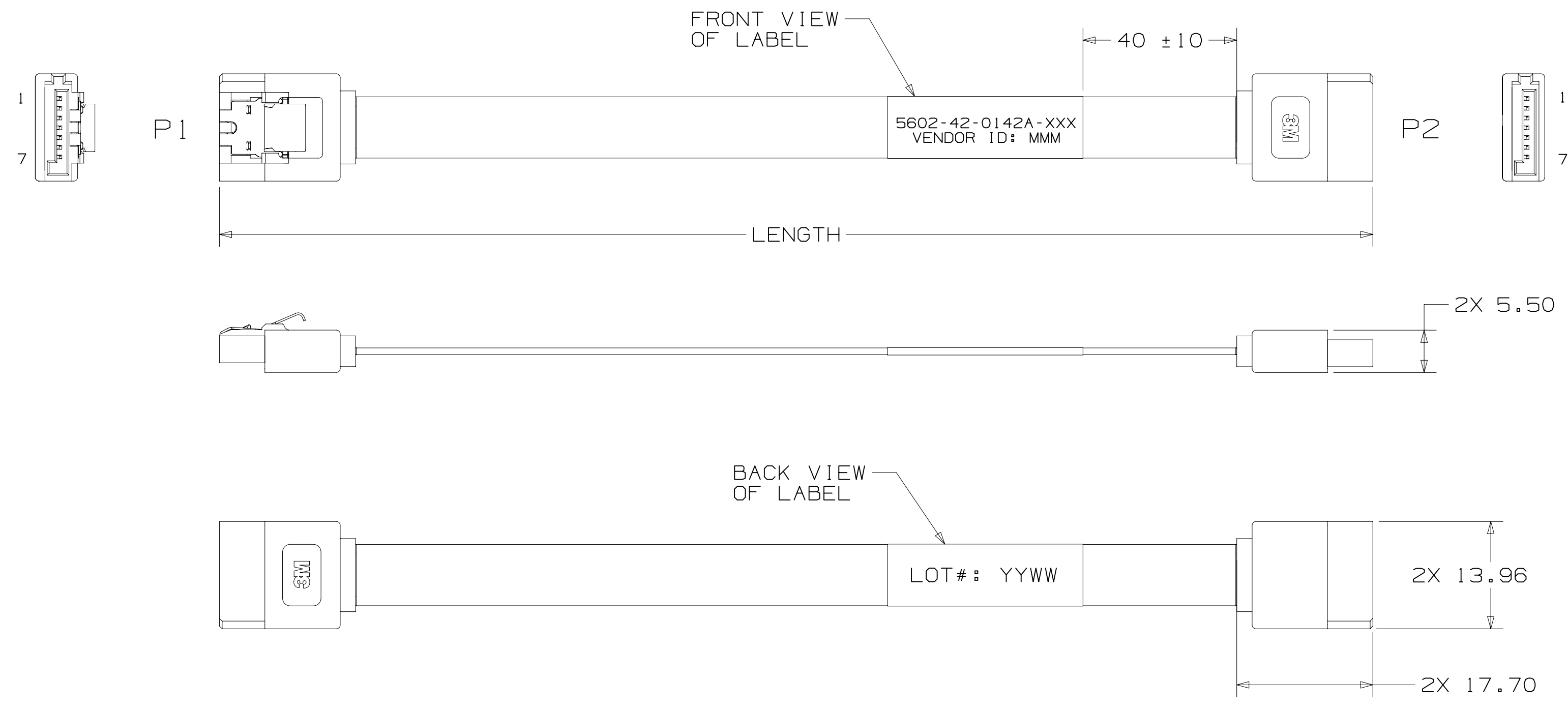
78-5100-4897-4  
DRAWING NUMBER

A

SHT 5 OF 7

3M™ HIGH ROUTABILITY INTERNAL SATA CABLE ASSEMBLY, 5602 SERIES  
 7 PIN TWINAX CABLE ASSEMBLY, STRAIGHT AND RIGHT ANGLE, WITH AND WITHOUT LATCH

1. REFER TO SHEET 1 FOR NOTES.



| 3M PART NUMBER     | LENGTH (MM)<br>SEE NOTE 7 |
|--------------------|---------------------------|
| 5602-42-0142A-100  | 100                       |
| 5602-42-0142A-200  | 200                       |
| 5602-42-0142A-300  | 300                       |
| 5602-42-0142A-400  | 400                       |
| 5602-42-0142A-500  | 500                       |
| 5602-42-0142A-600  | 600                       |
| 5602-42-0142A-700  | 700                       |
| 5602-42-0142A-800  | 800                       |
| 5602-42-0142A-900  | 900                       |
| 5602-42-0142A-1000 | 1000                      |

STRAIGHT LATCH TO  
 STRAIGHT WITHOUT LATCH  
 ORDERING INFORMATION  
 5602-42-0142A-XXX

LENGTH IN MM,  
 XXX REFERS TO 1000mm.

3M ELECTRONICS MATERIALS SOLUTIONS DIVISION  
 INTERCONNECT SOLUTIONS  
<http://www.3M.com/interconnect>  
 3M IS A TRADEMARK OF 3M COMPANY.  
 FOR TECHNICAL, SALES OR ORDERING  
 INFORMATION CALL 800-225-5373

| REV | ECO    | ISSUE DATE AND DESCRIPTION         | DRFT | CHKD |
|-----|--------|------------------------------------|------|------|
| E   | 114747 | MAY 13, 2024<br>REVISE AND REDRAWN | JNC  | MML  |
| D   | 47119  | APR 09, 2013<br>ADD SHEET 8 & 9    | RV   | RV   |
| C   | 43801  | DEC 31, 2012<br>CABLE P/N CHANGE   | RV   | RV   |
| B   | 42030  | JUL 07, 2012<br>REVISED DRAWING    | RV   | RV   |
| A   | 37492  | SEP 05, 2011<br>REVISED DRAWING    | RV   | RV   |

|                        |                                 |                            |   |                            |             |      |
|------------------------|---------------------------------|----------------------------|---|----------------------------|-------------|------|
| DESIGN REFERENCE       | NEXT ASSEMBLY                   | REV                        | ECO   | ISSUE DATE AND DESCRIPTION | DRFT        | CHKD |
|                        |                                 | RAO VITTAPALLI             |   | JUL 02, 2016               |             |      |
| DO NOT SCALE DRAWING   | SCALE                           | TOLERANCES EXCEPT AS NOTED | © 3M COPYRIGHT 2024<br>This document and the information it contains are 3M property and may not be reproduced or further distributed without 3M permission, or used or disclosed other than for 3M authorized purposes. All rights reserved. |                            |             |      |
| THIRD ANGLE PROJECTION | INTERPRET PER ASME Y14.5 - 2018 | MILLIMETERS                | TITLE<br><b>HIGH ROUTABILITY INTERNAL SATA CABLE ASSEMBLY</b>   |                            |             |      |
| MAX SURFACE ROUGHNESS  | SURFACES                        | INCHES                     | CAGE NUMBER   | SIZE                       | DRAWING NO. | REV. |
| ✓ MARKED ONLY          |                                 |                            | D   | 78-5100-4897-4             | E           | E    |

78-5100-4897-4  
DRAWING NUMBER

8 7 6 5 4 3 2 1

3M™ HIGH ROUTABILITY INTERNAL SATA CABLE ASSEMBLY, 5602 SERIES  
7 PIN TWINAX CABLE ASSEMBLY, STRAIGHT AND RIGHT ANGLE, WITH AND WITHOUT LATCH

Regulatory: For regulatory information about this product, visit 3M.com/regs or contact your 3M representative.

Technical Information: The technical information, guidance, and other statements contained in this document or otherwise provided by 3M are based upon records, tests, or experience that 3M believes to be reliable, but the accuracy, completeness, and representative nature of such information is not guaranteed. Such information is intended for people with knowledge and technical skills sufficient to assess and apply their own informed judgment to the information. No license under any 3M or third party intellectual property rights is granted or implied with this information.

Product Use: Many factors beyond 3M's control and uniquely within user's knowledge and control can affect the use and performance of a 3M product in a particular application. As a result, customer is solely responsible for evaluating the product and determining whether it is appropriate and suitable for customer's application, including conducting a workplace hazard assessment and reviewing all applicable regulations and standards (e.g., OSHA, ANSI, etc.). Failure to properly evaluate, select, and use a 3M product in accordance with all applicable instructions and with appropriate safety equipment, or to meet all applicable safety regulations, may result in injury, sickness, death, and/or harm to property.

Warranty, Limited Remedy, and Disclaimer: Unless a different warranty is specifically stated on the applicable 3M product packaging or product literature (in which case such warranty governs), 3M warrants that each 3M product meets the applicable 3M product specification at the time 3M ships the product. 3M MAKES NO OTHER WARRANTIES OR CONDITIONS, EXPRESS OR IMPLIED, INCLUDING, BUT NOT LIMITED TO, ANY IMPLIED WARRANTY OR CONDITION OF MERCHANTABILITY, FITNESS FOR A PARTICULAR PURPOSE, OR ANY IMPLIED WARRANTY OR CONDITION ARISING OUT OF A COURSE OF DEALING, CUSTOM, OR USAGE OF TRADE. If a 3M product does not conform to this warranty, then the sole and exclusive remedy is, at 3M's option, replacement or repair of the 3M product or refund of the purchase price.

Limitation of Liability: Except for the limited remedy stated above, and except to the extent prohibited by applicable law, 3M will not be liable for any loss or damage arising from or related to the 3M product, whether direct, indirect, special, incidental, or consequential (including, but not limited to, lost profits or business opportunity), regardless of the legal or equitable theory asserted, including, but not limited to, warranty, contract, negligence, or strict liability.

Disclaimer: For industrial use only. Not intended, labeled or packaged for consumer sale or use.

3M Company  
Electronics Materials Solutions Division  
13011 McCallen Pass, Bldg. C  
Austin, TX 78753-5380  
1-800-225-5373  
www.3M.com/interconnect

3M ELECTRONICS MATERIALS SOLUTIONS DIVISION  
INTERCONNECT SOLUTIONS  
http://www.3M.com/interconnect


3M IS A TRADEMARK OF 3M COMPANY.  
FOR TECHNICAL, SALES OR ORDERING  
INFORMATION CALL 800-225-5373

| REV | ECO    | ISSUE DATE AND DESCRIPTION         | DRFT | CHKD |
|-----|--------|------------------------------------|------|------|
| E   | 114747 | MAY 13, 2024<br>REVISE AND REDRAWN | JNC  | MML  |
| D   | 47119  | APR 09, 2013<br>ADD SHEET 8 & 9    | RV   | RV   |
| C   | 43801  | DEC 31, 2012<br>CABLE P/N CHANGE   | RV   | RV   |
| B   | 42030  | JUL 07, 2012<br>REVISED DRAWING    | RV   | RV   |
| A   | 37492  | SEP 05, 2011<br>REVISED DRAWING    | RV   | RV   |

| DESIGN REFERENCE | NEXT ASSEMBLY | REV            | ECO | ISSUE DATE AND DESCRIPTION | DRFT | CHKD |
|------------------|---------------|----------------|-----|----------------------------|------|------|
|                  |               | DRFT           |     |                            |      |      |
|                  |               | RAO VITTAPALLI |     | JUL 02, 2016               |      |      |
|                  |               | DRFT           |     |                            |      |      |
|                  |               | RAO VITTAPALLI |     | JUL 02, 2016               |      |      |

| SCALE                  | TOLERANCES EXCEPT AS NOTED                                     | TITLE   |
|------------------------|--|---|
| DO NOT SCALE DRAWING   | INCHES<br>.00 ±<br>.000 ±<br>.0000 ±                           |  © 3M COPYR [GHT] 2024<br>This document and the information it contains are 3M property and may not be reproduced or further distributed without 3M permission, or used or disclosed other than for 3M authorized purposes. All rights reserved. |
| THIRD ANGLE PROJECTION | MILLIMETERS<br>0 ± 2<br>.0 ± 0.25<br>.00 ± 0.15<br>.000 ± 0.05 |   |

| CAGE NUMBER | SIZE | DRAWING NO.    | REV. |
|-------------|------|----------------|------|
| D           |      | 78-5100-4897-4 | E    |

| MODEL | DET | LISTS | YES                                 | NO                       | SHT | OF | TOTAL |
|-------|-----|-------|-------------------------------------|--------------------------|-----|----|-------|
|       |     |       | <input checked="" type="checkbox"/> | <input type="checkbox"/> | 7   | 7  |       |

DRAWING NUMBER 78-5100-4897-4

REVISION