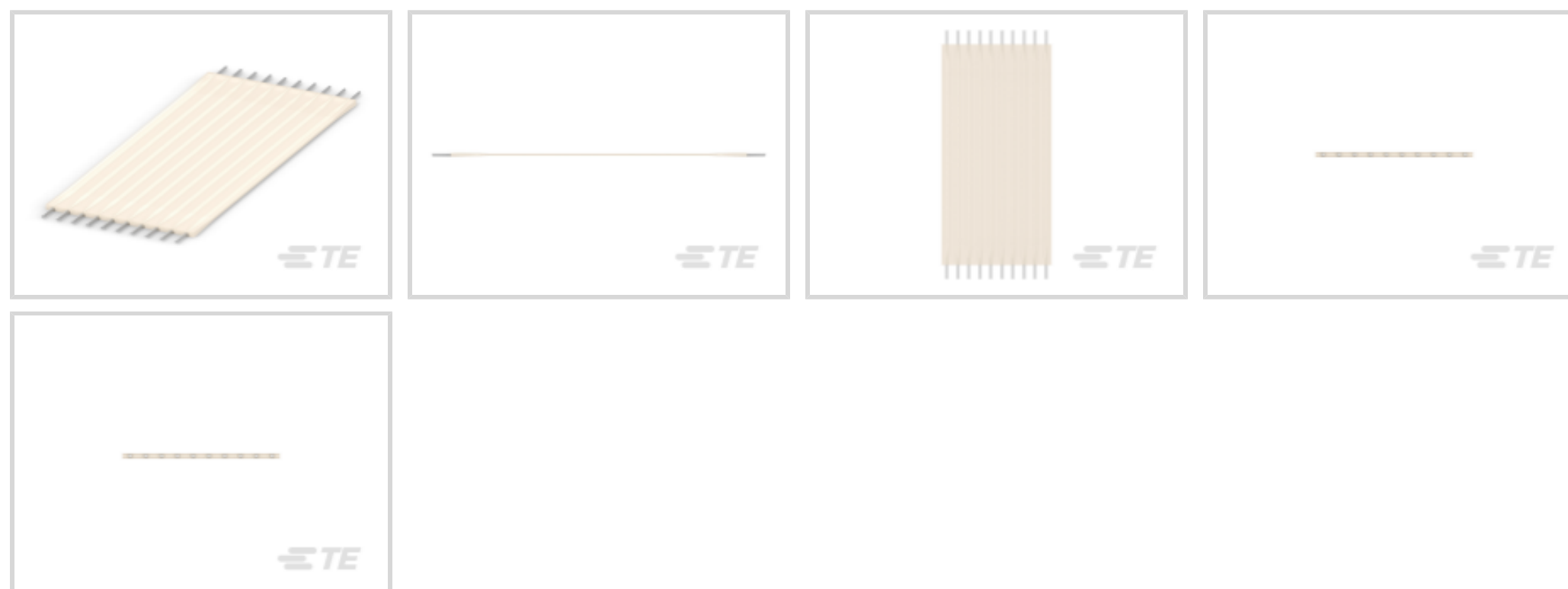




Connectors > PCB Connectors > Wire-to-Board Connectors > Wire-to-Board Jumpers & Shunts



Connector System: **Flex-to-Board**
 Number of Positions: **8**
 Centerline (Pitch): **1.27 mm [.05 in]**
 Product Length: **50.8 mm [2 in]**
 Connector & Contact Terminates To: **Wire & Cable**

Features

Product Type Features

Compatible With Discrete Wire Type	Solid
Connector System	Flex-to-Board
Connector & Contact Terminates To	Wire & Cable

Configuration Features

Number of Conductors	8
Number of Rows	1
Number of Positions	8

Electrical Characteristics

Operating Voltage	200 VAC
Impedance	97 Ω

Body Features

Jumper Insulation Material	Aramid Paper
----------------------------	--------------

Contact Features

Pin Arrangement (Right)	A
Pin Arrangement (Left)	A



Contact Current Rating (Max)	1.6 A
------------------------------	-------

Mechanical Attachment

Connector Mounting Type	Board Mount
-------------------------	-------------

Housing Features

Centerline (Pitch)	1.27 mm [.05 in]
--------------------	------------------

Dimensions

Wire Size	28 AWG
-----------	--------

Product Length	50.8 mm [2 in]
----------------	----------------

Usage Conditions

Operating Temperature Range	-40 – 125 °C [-40 – 257 °F]
-----------------------------	-----------------------------

Product Compliance

[For compliance documentation, visit the product page on TE.com>](#)

EU RoHS Directive 2011/65/EU	Compliant
------------------------------	-----------

EU ELV Directive 2000/53/EC	Compliant
-----------------------------	-----------

China RoHS 2 Directive MIIT Order No 32, 2016	有害物质含量符合标准要求 No Restricted Substance(s) Above Threshold
---	---

EU REACH Regulation (EC) No. 1907/2006	Current ECHA Candidate List: JUNE 2025 (250) Candidate List Declared Against: JUNE 2024 (241) Does not contain REACH SVHC
--	---

Halogen Content	Not Low Halogen - contains Br or Cl > 900 ppm.
-----------------	--

Solder Process Capability	Not reviewed for solder process capability
---------------------------	--

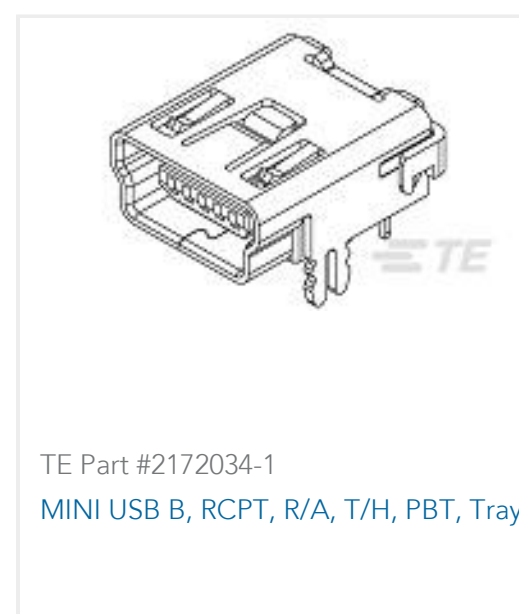
Product Compliance Disclaimer

This information is provided based on reasonable inquiry of our suppliers and represents our current actual knowledge based on the information they provided. This information is subject to change. The part numbers that TE has identified as EU RoHS compliant have a maximum concentration of 0.1% by weight in homogenous materials for lead, hexavalent chromium, mercury, PBB, PBDE, DBP, BBP, DEHP, DIBP, and 0.01% for cadmium, or qualify for an exemption to these limits as defined in the Annexes of Directive 2011/65/EU (RoHS2). Finished electrical and electronic equipment products will be CE marked as required by Directive 2011/65/EU. Components may not be CE marked. Additionally, the part numbers that TE has identified as EU ELV compliant have a maximum concentration of 0.1% by weight in homogenous materials for lead, hexavalent chromium, and mercury, and 0.01% for cadmium, or qualify for an exemption to these limits as defined in the Annexes of Directive 2000/53/EC (ELV). Regarding the REACH Regulation, the information TE provides on SVHC in articles for this part number is based on the latest European Chemicals Agency (ECHA) 'Guidance on requirements for substances in articles' posted at this URL: <https://echa.europa.eu/guidance-documents/guidance-on-reach>

Compatible Parts



Customers Also Bought



Documents

Product Drawings

[FSN-12A-8](#)

English

Agency Approvals

[UL Report](#)

English

2-6447164-7

Flex-to-Board, 8 Position, 1.27 mm [.05 in] Centerline, 50.8 mm [2 in] Length, Wire & Cable, Wire-to-Board Jumpers & Shunts

