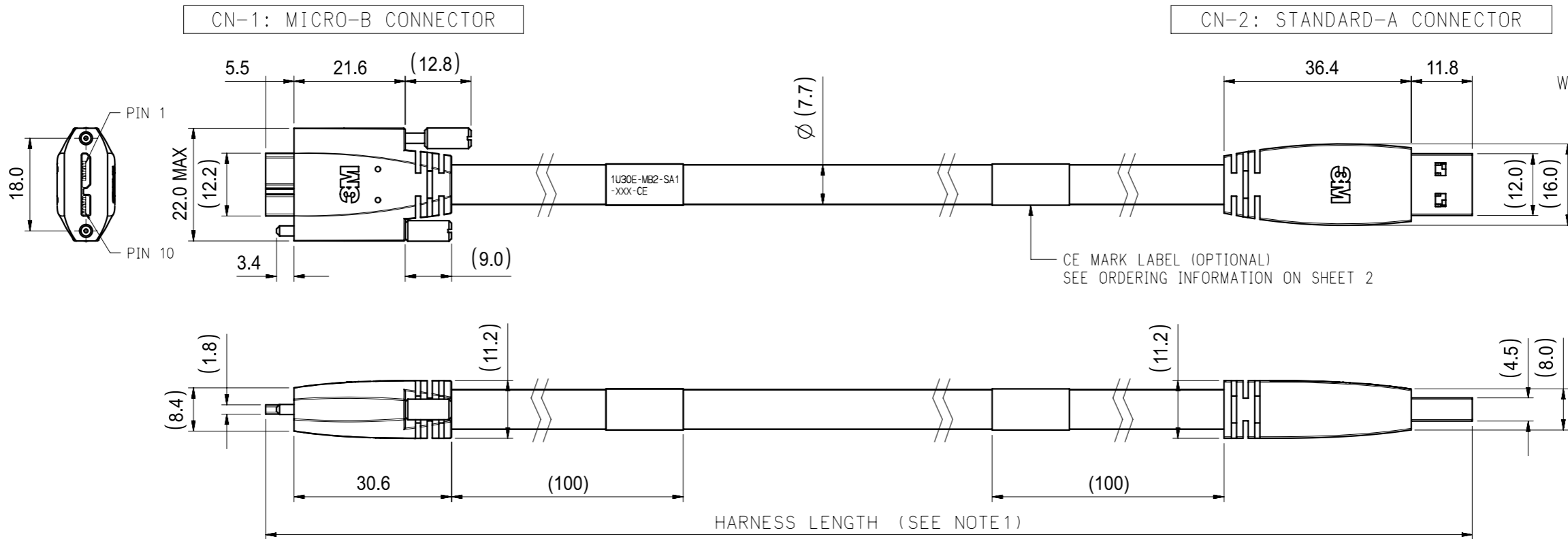
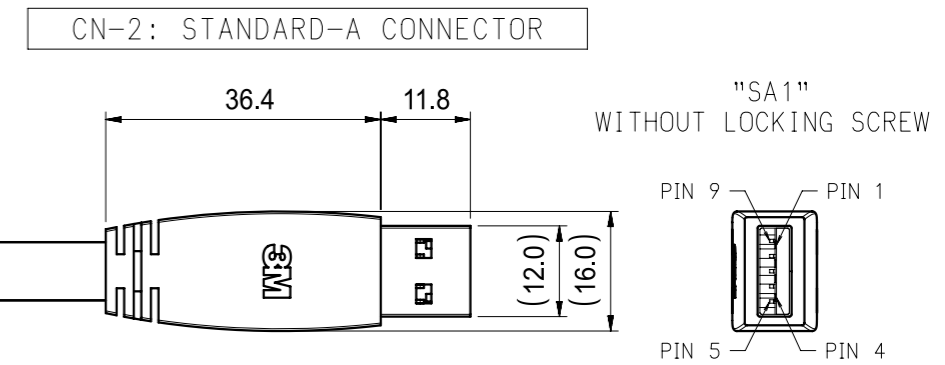
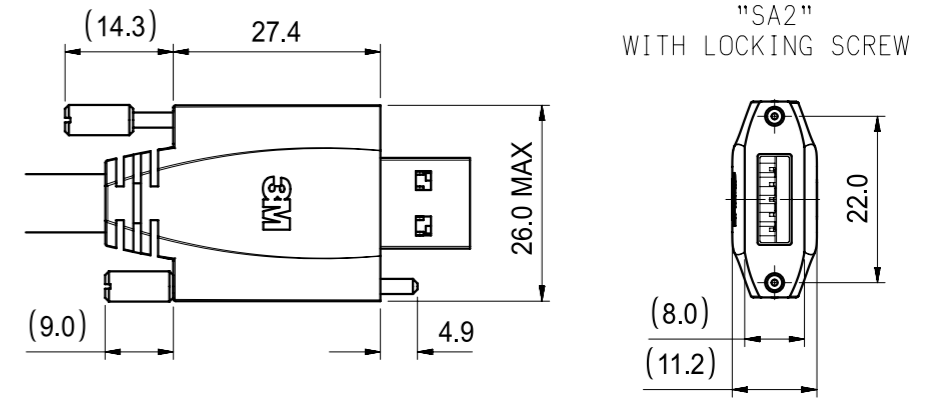


3M™ USB3 VISION INDUSTRIAL CAMERA CABLE ASSEMBLY, 1U30E SERIES

- USB3.0 SUPER SPEED DATA TRANSFER RATES UP TO 5Gbps
- EXTREMELY HIGH TRANSMISSION CHARACTERISTICS ENABLES OVER 10m TRANSMISSION WITHOUT REPEATER
- SECURE CONNECTION WITH LOCKING SCREW
- ROHS COMPLIANT

NOTES	
1	THE TOLERANCE OF HARNESS LENGTH IS LARGER VALUE OF EITHER +50mm/0 OR +3%/0 OF ORDER LENGTH



LABEL

1U30E-MB2-SAX ← 3M PART NUMBER
 -XXX-XX
 YYYYYYYY ← LOT ID



TOLERANCES EXCEPT AS NOTED	DFTG M. NAITOU	DATE SEP.07, 2023
INCHES	CHKD S. YOKOYAMA	DATE SEP.07, 2023
.0 ± .5	MFG	DATE
.00 ± .20	APPVL Y. KAWATE	DATE SEP.07, 2023
.000 ± N/A	© 3M COPYRIGHT 2021	
MILLIMETERS	THIS DOCUMENT CONTAINS INFORMATION WHICH IS PROPRIETARY TO 3M COMPANY. NO REPRODUCTION OR PUBLICATION OF THIS DOCUMENT, IN WHOLE OR IN PART, SHALL BE MADE WITHOUT AUTHORIZATION FROM 3M.	
ANGLES ±5°	THIRD ANGLE PROJECTION	

A	112062	INITIAL RELEASE	MN	SY
REV.	ECO	ISSUE DATE AND DESCRIPTION	DRFT	CHKD
3M		3M Center St. Paul, MN 55144	DIVISION EMSD	MODEL
TITLE		USB3 VISION INDUSTRIAL CAMERA CABLE ASSEMBLY, 1U30E SERIES 1U30E-MB2-SAX-XXX-XX		
FSCM NO.	SIZE A3	DRAWING NO. 78-5100-2758-0	REV. A	
SCALE		DET LISTS <input type="checkbox"/> YES <input type="checkbox"/> NO	SHT 1 OF 3	

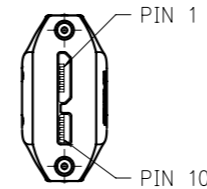
DRAWING NO. 78-5100-2758-0 A REV.

3M™ USB3 VISION INDUSTRIAL CAMERA CABLE ASSEMBLY, 1U30E SERIES

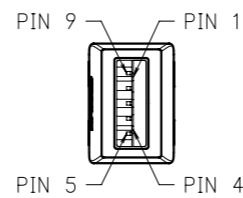
PIN ASSIGNMENT

CN-1 (MICRO-B)		CABLE	CN-2 (STANDARD-A)	
1	VBUS	PWR	VBUS	1
2	D-	UTP_D-	D-	2
3	D+	UTP_D+	D+	3
4	NC	-		
5	GND	GND_PWRrt	GND	4
6	MicB_SSTX-	SDP1-	StdA_SSRX-	5
7	MicB_SSTX+	SDP1+	StdA_SSRX+	6
8	GND_Drain	Drain for SDP1,2	GND_Drain	7
9	MicB_SSRX-	SDP2-	StdA_SSTX-	8
10	MicB_SSRX+	SDP2+	StdA_SSTX+	9
SHELL		Braid shield	SHELL	

MICRO-B



STANDARD-A



CABLE	
UL NUMBER	UL AWM Style 20276
TEMPERATURE AND VOLTAGE RATING	80° C / 30V
CURRENT RATING	1.5A(VBUS,GND), 0.2A(Others)
SHEATH MATERIAL	PVC
COLOR	BLACK
OUTER DIAMETER	7.7mm
FLAMMABILITY	VW-1

PERFORMANCE	
OPERABLE TRANSMISSION DISTANCE	>10m (14m Max*)

* DEPENDS ON USAGE CONDITIONS

ENVIRONMENTAL	
OPERATING TEMPERATURE	0 to 70° C

ORDERING INFORMATION

1U30E-MB2-SAX-XXX-XX

CN-1 CONNECTOR:
MB2 : MICRO-B WITH LOCKING SCREW

CE MARK OPTION
BLANK : NONE
CE : WITH CE MARK LABEL
(ex. 1U30E-MB2-SAx-xxx-CE)

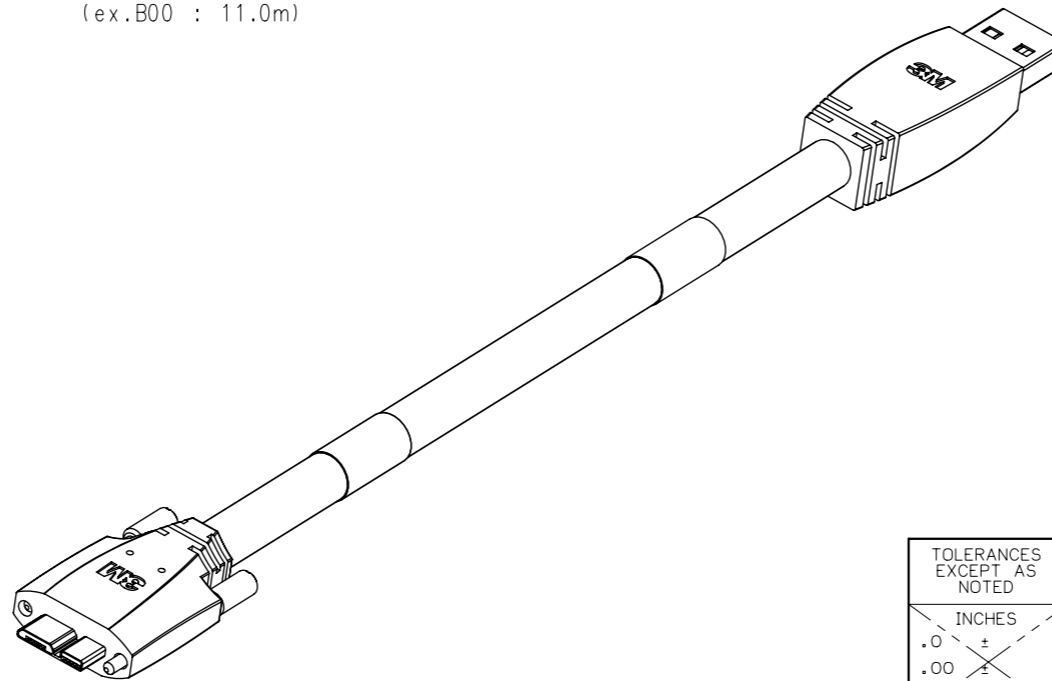
CN-2 CONNECTOR:
SA1 : STANDARD-A WITHOUT LOCKING SCREW
SA2 : STANDARD-A WITH LOCKING SCREW

HARNESS LENGTH (ex.800:8.0m)

FOR LENGTHS IN EXCESS OF 10m
SUBSTITUTE THE CORRESPONDING ALPHA CODE
FOR THE FIRST 2 DIGITS AS BELOW
A:10 B:11 C:12 D:13 E:14
(ex.B00 : 11.0m)

3M PART NUMBER	HARNESS LENGTH
1U30E-MB2-SA1-700-XX	7m
1U30E-MB2-SA1-800-XX	8m
1U30E-MB2-SA1-900-XX	9m
1U30E-MB2-SA1-A00-XX	10m
1U30E-MB2-SA1-B00-XX	11m
1U30E-MB2-SA1-C00-XX	12m
1U30E-MB2-SA1-D00-XX	13m
1U30E-MB2-SA1-E00-XX	14m
1U30E-MB2-SA2-700-XX	7m
1U30E-MB2-SA2-800-XX	8m
1U30E-MB2-SA2-900-XX	9m
1U30E-MB2-SA2-A00-XX	10m
1U30E-MB2-SA2-B00-XX	11m
1U30E-MB2-SA2-C00-XX	12m
1U30E-MB2-SA2-D00-XX	13m
1U30E-MB2-SA2-E00-XX	14m

OTHER LENGTHS AVAILABLE BY SPECIAL ORDER, CONTACT 3M FOR DETAILS.



TOLERANCES EXCEPT AS NOTED INCHES .0 ± .5 .00 ± .20 .000 ± N/A MILLIMETERS .0 ± .5 .00 ± .20 .000 ± N/A ANGLES ±5°	DFTG M. NAITOU	DATE SEP.07,2023
	CHKD S. YOKOYAMA	DATE SEP.07,2023
	MFG	DATE
	APPVL Y. KAWATE	DATE SEP.07,2023
© 3M COPYRIGHT 2021 THIS DOCUMENT CONTAINS INFORMATION WHICH IS PROPRIETARY TO 3M COMPANY. NO REPRODUCTION OR PUBLICATION OF THIS DOCUMENT, IN WHOLE OR IN PART, SHALL BE MADE WITHOUT AUTHORIZATION FROM 3M.		
THIRD ANGLE PROJECTION		

A	112062	INITIAL RELEASE	MN	SY
REV.	ECO	ISSUE DATE AND DESCRIPTION	DRFT	CHKD
3M		3M Center St. Paul, MN 55144	DIVISION EMSD	MODEL
TITLE		USB3 VISION INDUSTRIAL CAMERA CABLE ASSEMBLY, 1U30E SERIES 1U30E-MB2-SAX-XXX-XX		
FSCM NO.	SIZE A3	DRAWING NO. 78-5100-2758-0	REV. A	
SCALE		DET LISTS <input type="checkbox"/> YES <input type="checkbox"/> NO	SHT 2 OF 3	

DRAWING NO. 78-5100-2758-0 A

REV. A

3M™ USB3 VISION INDUSTRIAL CAMERA CABLE ASSEMBLY, 1U30E SERIES

Regulatory: For regulatory information about this product, visit 3M.com/regs or contact your 3M representative.


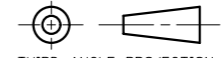
Technical Information: The technical information, recommendations and other statements contained in this document are based upon tests or experience that 3M believes are reliable, but the accuracy or completeness of such information is not guaranteed.

Product Use: Many factors beyond 3M's control and uniquely within user's control can affect the use and performance of a 3M product in a particular application. Given the variety of factors that can affect the use and performance of a 3M product, user is solely responsible for evaluating the 3M product and determining whether it is fit for a particular purpose and suitable for user's method of application.

Warranty, Limited Remedy, and Disclaimer: Unless an additional warranty is specifically stated on the applicable 3M product packaging or product literature, 3M warrants that each 3M product meets the applicable 3M product specification at the time 3M ships the product. 3M MAKES NO OTHER WARRANTIES OR CONDITIONS, EXPRESS OR IMPLIED, INCLUDING, BUT NOT LIMITED TO, ANY IMPLIED WARRANTY OR CONDITION OF MERCHANTABILITY OR FITNESS FOR A PARTICULAR PURPOSE OR ANY IMPLIED WARRANTY OR CONDITION ARISING OUT OF A COURSE OF DEALING, CUSTOM OR USAGE OR TRADE. If the 3M product does not conform to this warranty, then the sole and exclusive remedy is, at 3M's option, replacement of the 3M product or refund of the purchase price.

Limitation of Liability: Except where prohibited by law, 3M will not be liable for any loss or damage arising from the 3M product, whether direct, indirect, special, incidental or consequential, regardless of the legal theory asserted, including warranty, contract, negligence or strict liability.

3M Company
 Electronics Materials Solutions Division
 13011 McCallen Pass, Bldg. C
 Austin, TX 78753-5380
 1-800-225-5373
www.3M.com/interconnect

A		112062	INITIAL RELEASE		MN	SY				
REV.	ECO	ISSUE DATE AND DESCRIPTION			DRFT	CHKD				
DFTG		M. NAITOU	DATE	SEP.07,2023	 3M Center St. Paul, MN 55144					
CHKD		S. YOKOYAMA	DATE	SEP.07,2023						
MFG			DATE		DIVISION EMSD					
APPVL		Y. KAWATE	DATE	SEP.07,2023	DIVISION CODE					
TOLERANCES EXCEPT AS NOTED		© 3M COPYRIGHT 2021 THIS DOCUMENT CONTAINS INFORMATION WHICH IS PROPRIETARY TO 3M COMPANY. NO REPRODUCTION OR PUBLICATION OF THIS DOCUMENT, IN WHOLE OR IN PART, SHALL BE MADE WITHOUT AUTHORIZATION FROM 3M.				MODEL				
INCHES		TITLE USB3 VISION INDUSTRIAL CAMERA CABLE ASSEMBLY, 1U30E SERIES 1U30E-MB2-SAX-XXX-XX				FSCM NO.				
.0 ±						SIZE		DRAWING NO.		REV.
.00 ±						A3		78-5100-2758-0		A
.000 ±						SCALE		DET LISTS <input type="checkbox"/> YES <input type="checkbox"/> NO		SHT 3 OF 3
MILLIMETERS		THIRD ANGLE PROJECTION								
.0 ± .5										
.00 ± .20										
.000 ± N/A										
ANGLES ±5°										

DRAWING NO. 78-5100-2758-0 A REV.