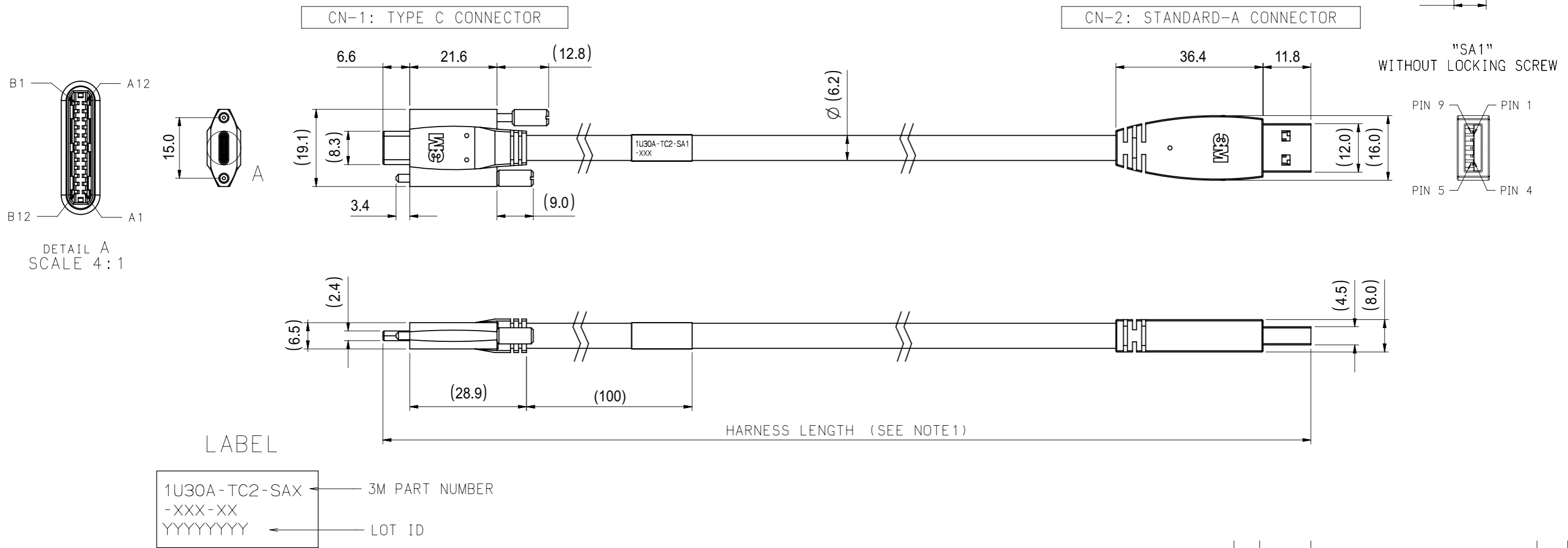


# 3M™ USB3 VISION INDUSTRIAL CAMERA CABLE ASSEMBLY, 1U30A-TC SERIES

- USB3.2 SUPER SPEED DATA TRANSFER RATES UP TO 5Gbps
- HIGH TRANSMISSION CHARACTERISTICS THAT ENABLES OVER 7m TRANSMISSION
- THIN AND FLEXIBLE CABLE FOR EASY HANDLING
- SECURE CONNECTION WITH LOCKING SCREW
- THIN CONNECTOR FOR TIGHT SPACE
- ROHS COMPLIANT

NOTES	
1	THE TOLERANCE OF HARNESS LENGTH IS LARGER VALUE OF EITHER +50mm/0 OR +3%/0 OF ORDER LENGTH



TOLERANCES EXCEPT AS NOTED	DFTG S. YOKOYAMA	DATE FEB 07, 2025	3M		3M Center St. Paul, MN 55144	DIVISION DEPP	MODEL
INCHES .0 ± .00 ± .000 ±	CHKD T. HAYAUCHI	DATE FEB 07, 2025	3M		3M Center St. Paul, MN 55144	DIVISION CODE	
MILLIMETERS .0 ± .5 .00 ± .20 .000 ± N/A	MFG	DATE	3M		3M Center St. Paul, MN 55144	DIVISION CODE	
ANGLES ±5°	APPVL Y. KAWATE	DATE FEB 07, 2025	3M		3M Center St. Paul, MN 55144	DIVISION CODE	
	© 3M COPYRIGHT 2021 THIS DOCUMENT CONTAINS INFORMATION WHICH IS PROPRIETARY TO 3M COMPANY. NO REPRODUCTION OR PUBLICATION OF THIS DOCUMENT, IN WHOLE OR IN PART, SHALL BE MADE WITHOUT AUTHORIZATION FROM 3M.		TITLE		USB3 VISION INDUSTRIAL CAMERA CABLE ASSEMBLY, 1U30A-TC SERIES 1U30A-TC2-SAX-XXX-XX		
	FSCM NO.	SIZE A3	DRAWING NO.	78-5100-2823-2	REV.	A	
	SCALE		DET LISTS <input type="checkbox"/> YES <input type="checkbox"/> NO		SHT 1 OF 3		

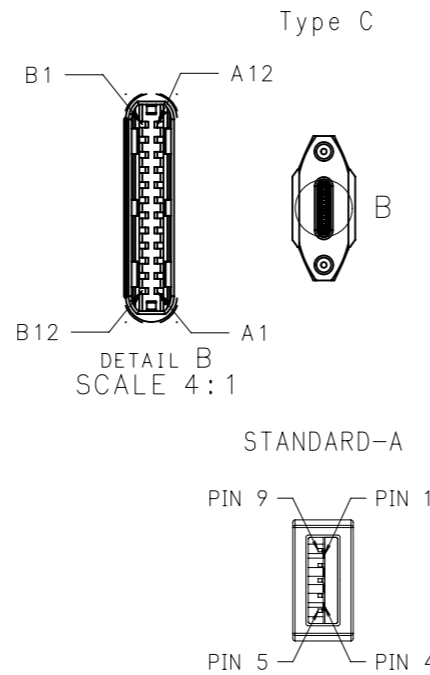
DRAWING NO. 78-5100-2823-2 A REV.

# 3M™ USB3 VISION INDUSTRIAL CAMERA CABLE ASSEMBLY, 1U30A-TC SERIES

## PIN ASSIGNMENT

CN-1 Pos.		Cable Name	CN-2 Pos.		
SHELL	GND**	Braid Shield	SHELL		
A1		GND_PWRrt	GND	4	
A12		STP Drain	GND_Drain	7	
B1	VBUS**	PWR	VBUS		
B12			1	*SEE BELOW	
A4				D+	3
A9					2
B4	TypeC_SSTX+	STP 1	StdA_SSRX+	6	
B9			StdA_SSRX-	5	
A5	TypeC_SSTX-	STP 2	StdA_SSTX-	8	
A6			StdA_SSTX+	9	
A7					

\*A5 and Vbus are connected with a resistor; 56kohm  
 \*\*Vbus and GND are connected with a capacitor; 10nF



CABLE	
UL NUMBER	UL AWM Style 20276
TEMPERATURE AND VOLTAGE RATING	80° C / 30V
CURRENT RATING	3.0A(VBUS,GND), 0.2A(Others)
SHEATH MATERIAL	PVC
COLOR	BLACK
OUTER DIAMETER	6.2mm
FLAMMABILITY	VW-1

PERFORMANCE	
OPERABLE TRANSMISSION DISTANCE	>7m (10m Max*)

\* DEPENDS ON USAGE CONDITIONS

ENVIRONMENTAL	
OPERATING TEMPERATURE	0 to 70° C

## ORDERING INFORMATION

1U30A-TC2-SAX-XXX

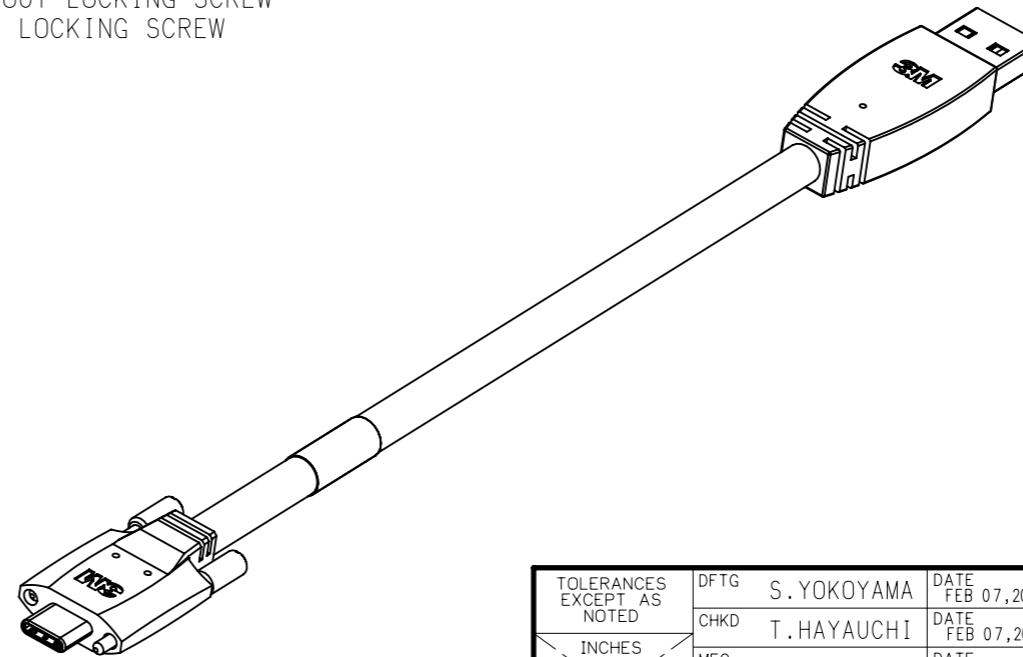
CN-1 CONNECTOR:  
 TC2 = TYPE C WITH  
 LOCKING SCREW

HARNESS LENGTH (ex. 150:1.50m)

CN-2 CONNECTOR:  
 SA1 = STANDARD-A STRAIGHT, WITHOUT LOCKING SCREW  
 SA2 = STANDARD-A STRAIGHT, WITH LOCKING SCREW

3M PART NUMBER	HARNESS LENGTH
1U30A-TC2-SAX-050	0.5m
1U30A-TC2-SAX-100	1m
1U30A-TC2-SAX-150	1.5m
1U30A-TC2-SAX-200	2m
1U30A-TC2-SAX-250	2.5m
1U30A-TC2-SAX-300	3m
1U30A-TC2-SAX-350	3.5m
1U30A-TC2-SAX-400	4m
1U30A-TC2-SAX-450	4.5m
1U30A-TC2-SAX-500	5m
1U30A-TC2-SAX-600	6m
1U30A-TC2-SAX-700	7m
1U30A-TC2-SAX-800	8m
1U30A-TC2-SAX-900	9m
1U30A-TC2X-SAX-A00	10m

OTHER LENGTHS AVAILABLE BY SPECIAL ORDER, CONTACT 3M FOR DETAILS.



TOLERANCES EXCEPT AS NOTED	DFTG S. YOKOYAMA	DATE FEB 07, 2025	3M 3M Center St. Paul, MN 55144	DIVISION DEPP	MODEL
	CHKD T. HAYAUCHI	DATE FEB 07, 2025		DIVISION CODE	
INCHES .0 ± .5 .00 ± .20 .000 ±	MFG	DATE	TITLE USB3 VISION INDUSTRIAL CAMERA CABLE ASSEMBLY, 1U30A SERIES 1U30A-TC2-SAX-XXX		
MILLIMETERS .0 ± .5 .00 ± .20 .000 ± N/A	APPVL Y. KAWATE	DATE FEB 07, 2025	FSCM NO.	SIZE A3	DRAWING NO. 78-5100-2823-2
ANGLES ±5°	© 3M COPYRIGHT 2021 THIS DOCUMENT CONTAINS INFORMATION WHICH IS PROPRIETARY TO 3M COMPANY. NO REPRODUCTION OR PUBLICATION OF THIS DOCUMENT, IN WHOLE OR IN PART, SHALL BE MADE WITHOUT AUTHORIZATION FROM 3M.		SCALE	DET LISTS <input type="checkbox"/> YES <input type="checkbox"/> NO	REV. A
	THIRD ANGLE PROJECTION		SHT 2 OF 3		

DRAWING NO. 78-5100-2823-2 A

# 3M™ USB3 VISION INDUSTRIAL CAMERA CABLE ASSEMBLY, 1U30A-TC SERIES

**Regulatory:** For regulatory information about this product, visit [3M.com/regs](http://3M.com/regs) or contact your 3M representative.


**Technical Information:** The technical information, recommendations and other statements contained in this document are based upon tests or experience that 3M believes are reliable, but the accuracy or completeness of such information is not guaranteed.

**Product Use:** Many factors beyond 3M's control and uniquely within user's control can affect the use and performance of a 3M product in a particular application. Given the variety of factors that can affect the use and performance of a 3M product, user is solely responsible for evaluating the 3M product and determining whether it is fit for a particular purpose and suitable for user's method of application.

**Warranty, Limited Remedy, and Disclaimer:** Unless an additional warranty is specifically stated on the applicable 3M product packaging or product literature, 3M warrants that each 3M product meets the applicable 3M product specification at the time 3M ships the product. 3M MAKES NO OTHER WARRANTIES OR CONDITIONS, EXPRESS OR IMPLIED, INCLUDING, BUT NOT LIMITED TO, ANY IMPLIED WARRANTY OR CONDITION OF MERCHANTABILITY OR FITNESS FOR A PARTICULAR PURPOSE OR ANY IMPLIED WARRANTY OR CONDITION ARISING OUT OF A COURSE OF DEALING, CUSTOM OR USAGE OR TRADE. If the 3M product does not conform to this warranty, then the sole and exclusive remedy is, at 3M's option, replacement of the 3M product or refund of the purchase price.

**Limitation of Liability:** Except where prohibited by law, 3M will not be liable for any loss or damage arising from the 3M product, whether direct, indirect, special, incidental or consequential, regardless of the legal theory asserted, including warranty, contract, negligence or strict liability.

3M Company  
 Display and Electronics Product Platform  
 3M Center | 223-3S-32  
 St Paul, MN 55144 | United States  
 Phone: 1-800-251-8634  
[www.3M.com/interconnect](http://www.3M.com/interconnect)

A		121421	INITIAL RELEASE	FEB 07,2025	SY	TH	
REV.	ECO	ISSUE DATE AND DESCRIPTION			DRFT	CHKD	
TOLERANCES EXCEPT AS NOTED	DFTG S.YOKOYAMA	DATE FEB 07,2025	<b>3M</b> 3M Center St. Paul, MN 55144		DIVISION	DEPP	MODEL
INCHES .0 ± .00 ± .000 ±	CHKD T.HAYAUCHI	DATE FEB 07,2025			DIVISION CODE		
MILLIMETERS .0 ± .5 .00 ± .20 .000 ± N/A	MFG	DATE	<b>TITLE</b> USB3 VISION INDUSTRIAL CAMERA CABLE ASSEMBLY, 1U30A-TC SERIES 1U30A-TC2-SAX-XXX-XX				
ANGLES ±5°	APPVL Y.KAWATE	DATE FEB 07,2025					
© 3M COPYRIGHT 2021 THIS DOCUMENT CONTAINS INFORMATION WHICH IS PROPRIETARY TO 3M COMPANY. NO REPRODUCTION OR PUBLICATION OF THIS DOCUMENT, IN WHOLE OR IN PART, SHALL BE MADE WITHOUT AUTHORIZATION FROM 3M.			FSCM NO.	SIZE A3	DRAWING NO. 78-5100-2823-2	REV. A	
 THIRD ANGLE PROJECTION			SCALE	DET LISTS <input type="checkbox"/> YES <input type="checkbox"/> NO		SHT 3 OF 3	

DRAWING NO. 78-5100-2823-2 A REV.