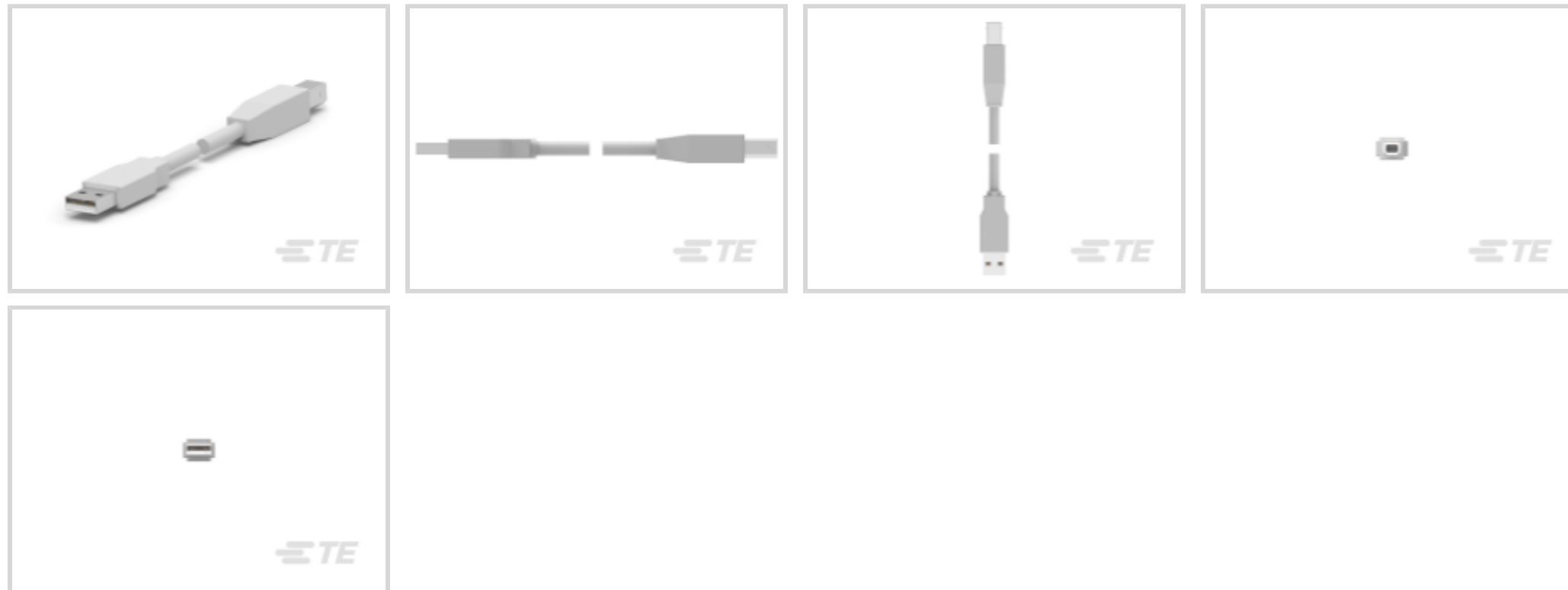




Cable Assemblies > Copper Cable Assemblies > Multimedia Cable Assemblies > USB Cable Assemblies



Cable Assembly Type: **USB Type A to USB Type B**

Cable Assembly (End A): **USB Type A Plug**

Cable Assembly (End B): **USB Type B Plug**

Cable Assembly Configuration: **Double Ended**

Wire Size: **20 AWG, 25 AWG**

Features

Product Type Features

Cable Assembly Type	USB Type A to USB Type B
Cable Assembly (End A)	USB Type A Plug
Cable Assembly (End B)	USB Type B Plug

Configuration Features

Number of Positions	4
---------------------	---

Body Features

Equalized	No
Cable Color	White

Dimensions

Wire Size	20 AWG, 25 AWG
-----------	----------------

Operation/Application

Shielded	Yes
----------	-----

Other

Cable Assembly Configuration	Double Ended
------------------------------	--------------

Product Compliance

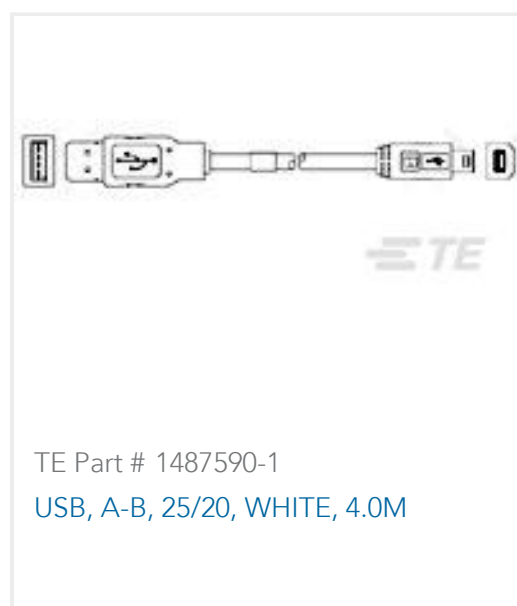
[For compliance documentation, visit the product page on TE.com>](#)

EU RoHS Directive 2011/65/EU	Compliant
EU ELV Directive 2000/53/EC	Compliant
China RoHS 2 Directive MIIT Order No 32, 2016	有害物质含量符合标准要求 No Restricted Substance(s) Above Threshold
EU REACH Regulation (EC) No. 1907/2006	Current ECHA Candidate List: JUNE 2025 (250) Candidate List Declared Against: JUNE 2024 (241) Does not contain REACH SVHC
Halogen Content	Not Low Halogen - contains Br or Cl > 900 ppm.
Solder Process Capability	Not applicable for solder process capability

Product Compliance Disclaimer

This information is provided based on reasonable inquiry of our suppliers and represents our current actual knowledge based on the information they provided. This information is subject to change. The part numbers that TE has identified as EU RoHS compliant have a maximum concentration of 0.1% by weight in homogenous materials for lead, hexavalent chromium, mercury, PBB, PBDE, DBP, BBP, DEHP, DIBP, and 0.01% for cadmium, or qualify for an exemption to these limits as defined in the Annexes of Directive 2011/65/EU (RoHS2). Finished electrical and electronic equipment products will be CE marked as required by Directive 2011/65/EU. Components may not be CE marked. Additionally, the part numbers that TE has identified as EU ELV compliant have a maximum concentration of 0.1% by weight in homogenous materials for lead, hexavalent chromium, and mercury, and 0.01% for cadmium, or qualify for an exemption to these limits as defined in the Annexes of Directive 2000/53/EC (ELV). Regarding the REACH Regulation, the information TE provides on SVHC in articles for this part number is based on the latest European Chemicals Agency (ECHA) 'Guidance on requirements for substances in articles' posted at this URL: <https://echa.europa.eu/guidance-documents/guidance-on-reach>

Compatible Parts



Customers Also Bought



TE Part #214786-E
EPSVA KS GDM4 TL 10 3,8 SN *
STROMVERSOR



TE Part #T4113002051-000
M12,MALE,RA,A CODE,5P,PG9,GOLD



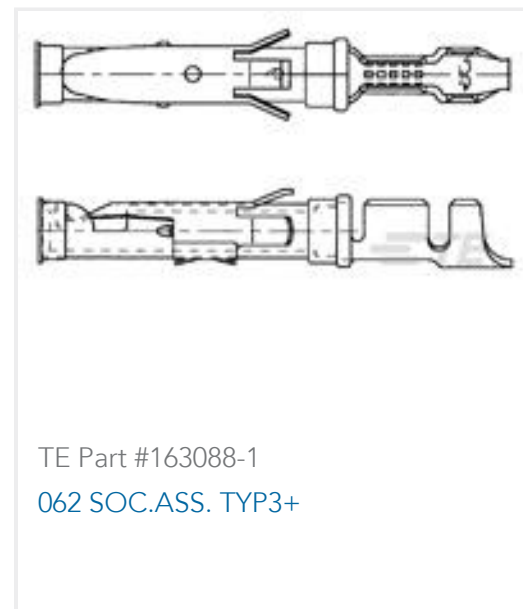
TE Part #66101-2
III+ SKT,18-16,TIN-LEAD,LP



TE Part #102387-7
30 MODIV HSG COMP DR .100 POL



TE Part #102387-8
34 MODIV HSG COMP DR .100 POL



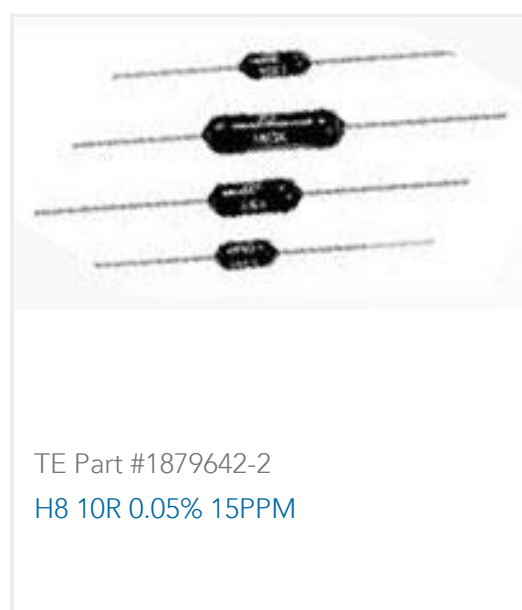
TE Part #163088-1
062 SOC.ASS. TYP3+



TE Part #183040-1
CPC SQ.FL.RCPT STD SEX SIZE



TE Part #770064-1
01P .093 COMM P&S PLUG HSG



TE Part #1879642-2
H8 10R 0.05% 15PPM



TE Part #2302321-1
RA ASSY, Left Half RTM, MULTIGIG RT
2-S

Documents

Product Drawings

[USB, A-B, 25/20, WHITE, 5.0M](#)

English

CAD Files

[3D PDF](#)

3D

Customer View Model

[ENG_CVM_CVM_1487590-2_G.2d_dxf.zip](#)

English

Customer View Model

[ENG_CVM_CVM_1487590-2_G.3d_igs.zip](#)

English

Customer View Model

[ENG_CVM_CVM_1487590-2_G.3d_stp.zip](#)

English

By downloading the CAD file I accept and agree to the [Terms and Conditions](#) of use.