

Features

- Wide voltage input: 90-264VAC/127-370VDC
- Metal mesh shell packaging, good heat dissipation
- Isolation voltage:3000VAC5mA1Minute
- Operating temperature range:-40°C~+85°C
- Comply with international and domestic safety regulations
- International standard pin
- Heat dissipation mode: natural air cooling
- High efficiency, long life and high reliability
- Protection function: short circuit, over load, over voltage and over temperature

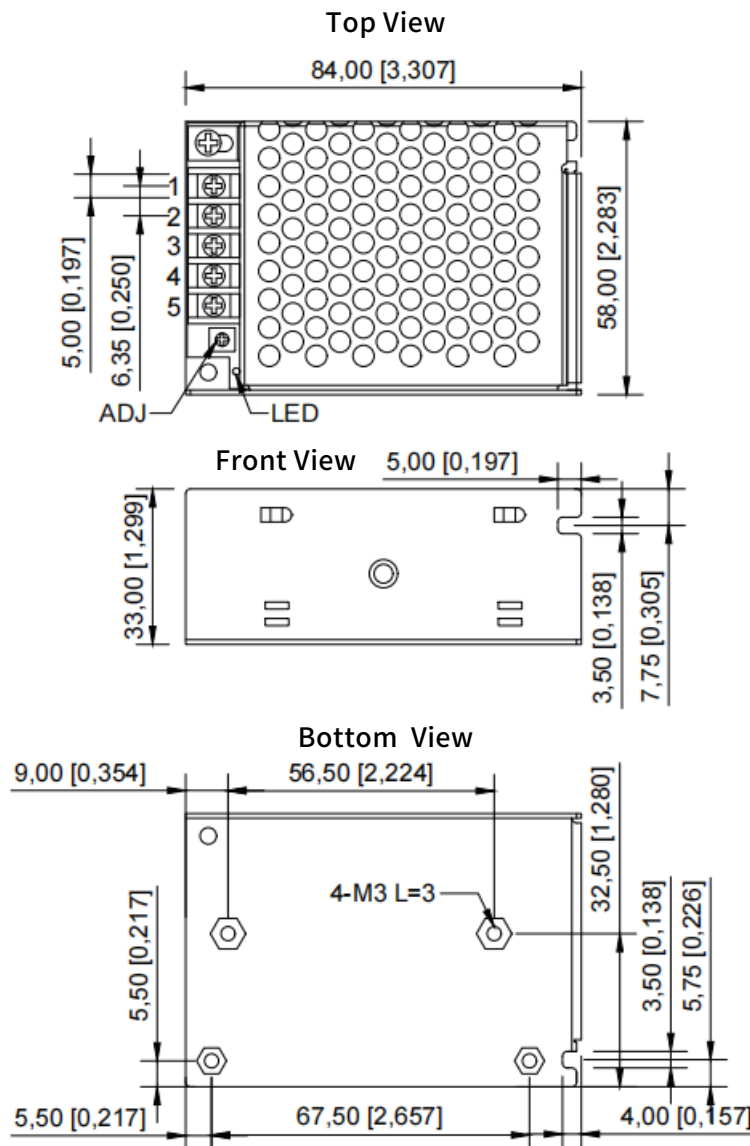
Product Picture



EMC-EN55032
EN55035
LVD-EN62368

Dimensions

GK220S_-25W Series Dimensions



| Pin mode | |
|----------|----------|
| Pin | Function |
| 1 | AC(L) |
| 2 | AC(N) |
| 3 | FG |
| 4 | -V |
| 5 | +V |

Note:

Size unit: mm[inch]

Wiring diameter: 22-14AWG

Connector torque size: M3, 0.4N·m

Unmarked tolerance: ± 1.00 [± 0.039]

The device layout is for reference only.

Application

Industrial control and remote DC power supply systems, switching systems :AC/DC(5V products). Railway communication, communication interface conversion cellular telephone, semiconductor laser, display screen, Monitoring equipment, petrochemical, portable instrument, medical instrument, automatic control device, burglar alarm, handheld instrument, digital circuit, IC card meter, air conditioning computer controller, LED products, digital products, power adapter, etc.

Selection Guide

| Model | Input(V) | Output (Vo±2%) | Current (mA) | Efficiency (%) | Adjustable output voltage Range ADJ (V) | Isolation (VAC) |
|--------------|---------------------------|----------------|--------------|----------------|---|-----------------|
| GK220S05-25W | 90-264VAC (127-370VDC) | 5 | 5000 | 75 | 4.75-5.5 | 3000 |
| GK220S12-25W | | 12 | 2083 | 79 | 10.8-13.2 | 3000 |
| GK220S15-25W | | 15 | 1666 | 79 | 13.5-16.5 | 3000 |
| GK220S24-25W | | 24 | 1041 | 80 | 22-27.6 | 3000 |
| GK220S48-25W | | 48 | 520 | 80 | 43.2-52.8 | 3000 |

Note: Our company can customize the module power supply with any input and output for customers. If you have special needs, please call our company. Unless otherwise specified, the input = Vi. The characteristics of the module power supply should comply with the provisions of Table 1 and be applicable to the full temperature range (-40°C≤Tc≤85°C)

Electrical Specifications

| Specifications | Symbol | Conditions Vi , -40°C≤Tc≤85 (Unless otherwise specified) | Min | Max | Unit |
|-----------------------|--------|--|-------|--------------------------------|------|
| Output Voltage | Vo | Full Load | Vo-2% | Vo+2% | V |
| Output Current | Iomax | — | — | P(Power)/ U(Output voltage) | A |
| Output Ripple Voltage | Vp-p | Full Load, Vi, BW=20MHz, Normal Temperature | 80 | 200 | mV |
| Output Noise Voltage | Vp-p | Full Load, Vi, BW=20MHz, Normal Temperature | 80 | 200 | mV |
| Voltage Regulation | Sv | Vimin, Vi, Vimax, Full Load | — | ≤±2% | % |
| Load Adjustment | Si | Vi, Io=(10%~100%)Iomax | — | ≤±2% | % |
| Insulation Resistance | RI | Input/Output, Test Voltage: 500VDC | 100 | — | MΩ |

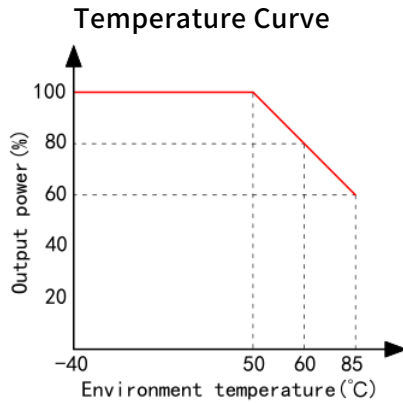
General Specifications

| | | |
|---------------------|--|-------------|
| EMC Specifications | Magnetic Field Sensitivity Test | GB6833.2-87 |
| | Electrostatic Discharge Sensitivity Test | GB6833.2-87 |
| | Radiation Sensitivity Test | GB6833.2-87 |
| | Conduction Sensitivity Test | GB6833.2-87 |
| Temperature Drift | ≤±0.02%/°C | |
| Storage Temperature | -40°C~85°C | |
| Input Frequency | 47Hz~63Hz | |
| Humidity | 10%~95%RH | |
| Leakage Current | <2mA/240VDC | |
| MTBF | >500000H | |

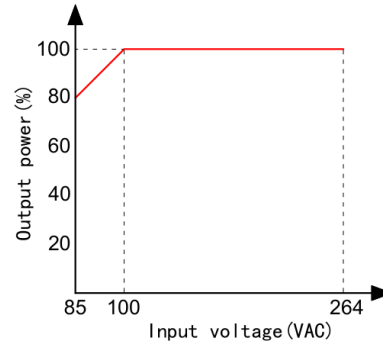
Mechanical Specifications

| | |
|------|--------------------------|
| Size | 84.00 x 58.00 x 33.00 mm |
|------|--------------------------|

Typical Specifications Curves



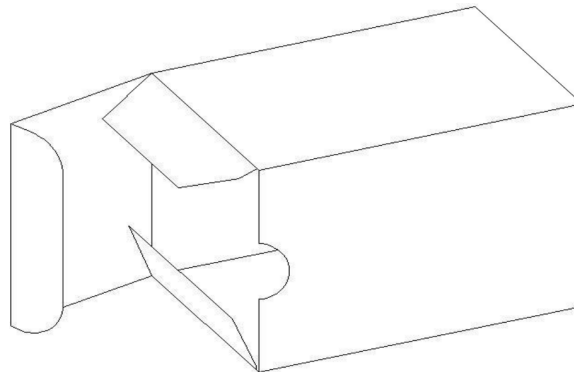
Output Power/Input Voltage Curve



Precautions

Package

This series of modules are packed in shockproof and anti-static foam.



Transport

The package containing the module is allowed to be transported by any means of transport, which should avoid direct rain and snow and mechanical damage.

Storage

The module should be stored in a warehouse where the ambient temperature is -40 degrees ~ 125 degrees, the relative humidity is 20%~95%, and the surrounding environment is free from acidic, alkaline and other harmful gases.

Note: The above are the performance indicators of the product series listed in this manual. Some indicators of non-standard products may exceed the above requirements, so if there is any inconsistency between the manual and the product specification documents, please refer to the specification documents. If you have special needs, please contact us directly.