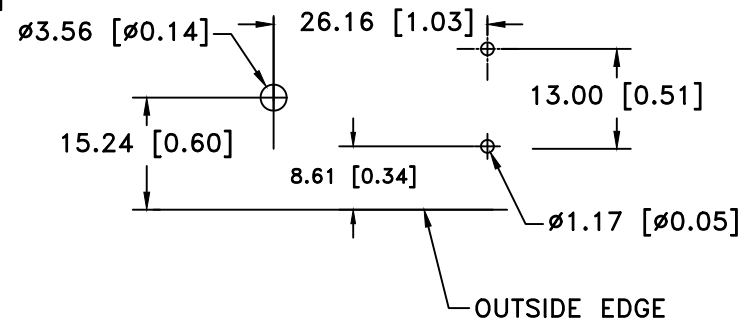
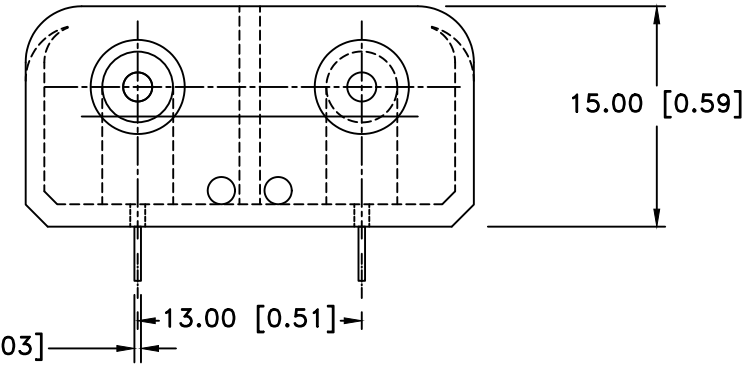


Date	SYM	REVISION RECORD	AUTH	DR.	CK.
03/06/19	M	Updated to "ROHS COMPLIANT"	T.B.	B.S.	
05/20/24	N	Dim. 13.00 was 13.60 Dim. 0.85 was 0.89 Dim. 32.70 was 32.95	D.L.	B.S.	
06/21/24	P	Dim. 13.00 was 13.59	D.L.	B.S.	



PCB LAYOUT



NOTES:

1. MATERIAL:

HOUSING : BLACK POLYPROPYLENE
 FLAMMABILITY RATING -UL94-HB, UL FILE NO. E216959
 TEMPERATURE RANGE: -10°C to +100°C
 RIVETS: BRASS, NICKEL PLATED.
 SPRING: SPRING STEEL, NICKEL PLATED.
 PC PINS: SPRING STEEL, NICKEL PLATED
 CONTACT RESISTANCE: UNDER 50mΩ FOR +/- CONTACTS PER EIA-540J000

ROHS COMPLIANT

Tolerance (Except as noted)	decimal ±.5 (.020)	MPD Memory Protection Devices, Inc 200 Broad Hollow Road, Farmingdale, New York 11735	
		Scale	Drawn By B.S.
Fractional ± .8 (.030)	Title TWO "AA" CELL HOLDER		
Angular ± 3°	Date 06/21/24	Drawing Number BC2AAPC	
Approved By D.L.			