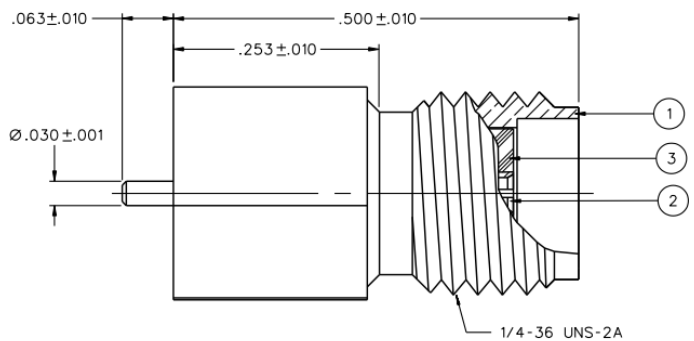
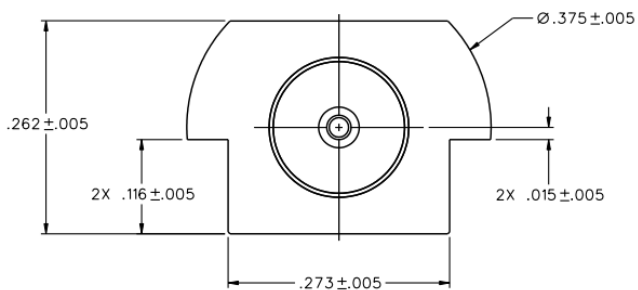


BU-1420751871

(JACK ASSEMBLY, SURFACE MOUNT)



(Dimensions in Inches)

- Impedance: 50 Ohms
- Frequency Range: 0-18 GHz
- Working Voltage: 335V at Sea Level
- Dielectric Withstanding Voltage: 1000V min at sea level
- Contact resistance: <3 milliohms
- Mating Torque: 7-10 Inch Pounds
- Material:
 - (1) Body – 1U” Gold plated Brass
 - (2) Contact – 2U” Gold plated Beryllium Copper
 - (3) Insulator – Teflon
- Meets or exceeds the applicable paragraph of MIL-PRF-39012
- Operating Temperature: -65°C (-85°F) to 165°C (329°F)
- RoHS 3 Compliant