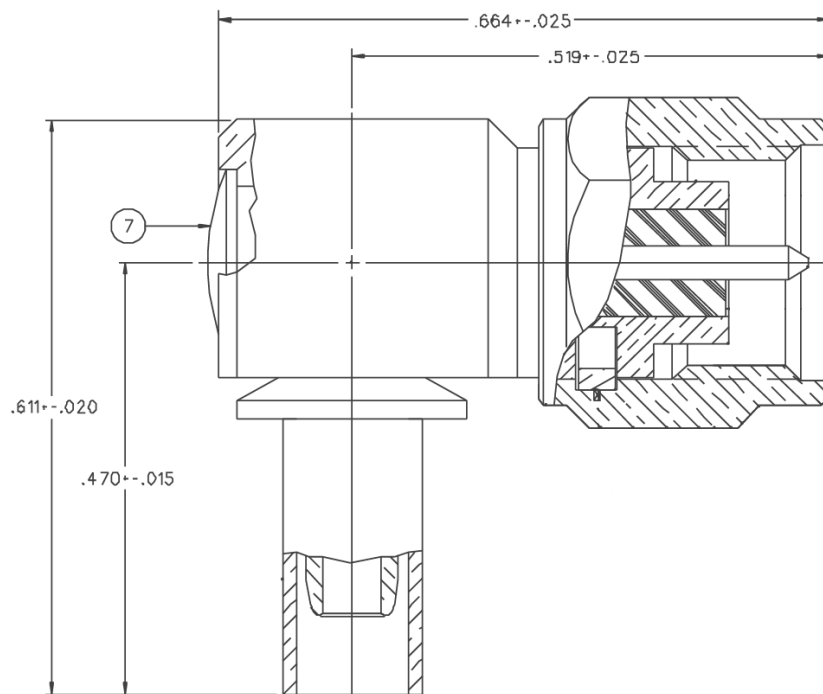


BU-1420403101 (CONN SMA PLUG STR 50 OHM CRIMP)



(Dimensions in Inches)

Specifications:

- Impedance: 50 Ohms
- Frequency Range: 0-12.4G
- Working Voltage: 250VRMS at Sea Level
- Dielectric Withstanding Voltage: 750VRMS min at sea level
- Contact resistance (center): 4 milliohms
- Mating Torque: 7-10 Inch Pounds
- Material:
 - Body – 1U' Gold plated Brass
 - Nut – 1U' Gold plated Brass
 - Contact – 3U' Gold plated Brass
 - Insulator – Teflon
- Meets or exceeds the applicable paragraph of MIL-C-39012
- Operating Temperature: -65°C (-85°F) to 165°C (329°F)
- RoHS 3 Compliant