



SMP

TE Internal #: 2484781-1

SMP Connector, Plug, 50 ohm, Push-On, 12 GHz, Cable-to-Board, 1 Position, Printed Circuit Board, Board Mount, -65 – 165 °C [-85 – 329 °F], Brass, SMP

[View on TE.com >](#)

Connectors > RF Connectors > Coax Connectors



RF Interface: **SMP**

RF Connector Style: **Plug**

Impedance: **50 Ω**

RF Connector Coupling Mechanism: **Push-On**

Operating Frequency Range: **12 GHz**

Features

Product Type Features

RF Interface	SMP
RF Connector Style	Plug
Connector System	Cable-to-Board
Sealable	No
Connector & Contact Terminates To	Printed Circuit Board

Configuration Features

PCB Mount Orientation	Vertical
Number of Positions	1
Number of Coaxial Contacts	1

Electrical Characteristics

Impedance	50 Ω
-----------	------

Body Features

Body Underplating Material	Nickel
Body Material	Brass



Body Material Finish	Plated
Body Plating Material	Gold

Contact Features

Outer Contact Plating Material	Gold (Au)
RF Connector Contact Configuration	Captivated
RF Connector Center Contact Underplating Material	Nickel
RF Connector Center Contact Plating Thickness	.762 μm[30 μin]
RF Connector Center Contact Plating Material	Gold (Au)
RF Connector Center Contact Material	Beryllium Copper

Termination Features

Termination Method to PCB	Surface Mount
---------------------------	---------------

Mechanical Attachment

RF Connector Coupling Mechanism	Push-On
Connector Mounting Type	Board Mount
RF Contact Captivation Method	Mechanical

Usage Conditions

Operating Temperature Range	-65 – 165 °C[-85 – 329 °F]
-----------------------------	----------------------------

Operation/Application

Circuit Application	Signal
Operating Frequency Range	12 GHz

Packaging Features

Packaging Quantity	500
Packaging Method	Tape & Reel

Other

Dielectric Material	Polytetrafluoroethylene (PTFE)
---------------------	--------------------------------

Product Compliance

For compliance documentation, visit the product page on [TE.com](https://www.te.com)>

EU RoHS Directive 2011/65/EU	Compliant with Exemptions
EU ELV Directive 2000/53/EC	Not Yet Reviewed
China RoHS 2 Directive MIIT Order No 32, 2016	有害物质含量超出标准 Restricted Substance(s) Above Threshold



EU REACH Regulation (EC) No. 1907/2006

Current ECHA Candidate List: JUNE 2025 (250)

Candidate List Declared Against: JAN 2025 (247)

SVHC > Threshold:

Pb (3.34% in Component Part)

Article Safe Usage Statements:

Do not eat, drink or smoke when using this product. Wash thoroughly after handling. Recycle if possible and dispose of the article by following all applicable governmental regulations relevant to your geographic location.

Halogen Content

Low Halogen - Br, Cl, F < 900 ppm per homogenous material. Also BFR/CFR/PVC Free

Solder Process Capability

Not reviewed for solder process capability

Product Compliance Disclaimer

This information is provided based on reasonable inquiry of our suppliers and represents our current actual knowledge based on the information they provided. This information is subject to change. The part numbers that TE has identified as EU RoHS compliant have a maximum concentration of 0.1% by weight in homogenous materials for lead, hexavalent chromium, mercury, PBB, PBDE, DBP, BBP, DEHP, DIBP, and 0.01% for cadmium, or qualify for an exemption to these limits as defined in the Annexes of Directive 2011/65/EU (RoHS2). Finished electrical and electronic equipment products will be CE marked as required by Directive 2011/65/EU. Components may not be CE marked. Additionally, the part numbers that TE has identified as EU ELV compliant have a maximum concentration of 0.1% by weight in homogenous materials for lead, hexavalent chromium, and mercury, and 0.01% for cadmium, or qualify for an exemption to these limits as defined in the Annexes of Directive 2000/53/EC (ELV). Regarding the REACH Regulations, TE's information on SVHC in articles for this part number is still based on the European Chemical Agency (ECHA) 'Guidance on requirements for substances in articles' (Version: 2, April 2011), applying the 0.1% weight on weight concentration threshold at the finished product level. TE is aware of the European Court of Justice ruling of September 10th, 2015 also known as O5A (Once An Article Always An Article) stating that, in case of 'complex object', the threshold for a SVHC must be applied to both the product as a whole and simultaneously to each of the articles forming part of its composition. TE has evaluated this ruling based on the new ECHA "Guidance on requirements for substances in articles" (June 2017, version 4.0) and will be updating its statements accordingly.

Compatible Parts



Also in the Series | **SMP**

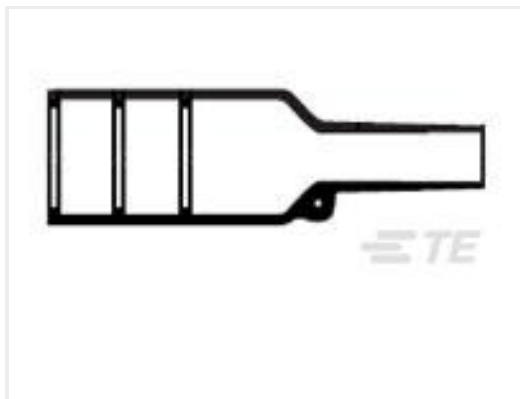


Coax Connectors(27)

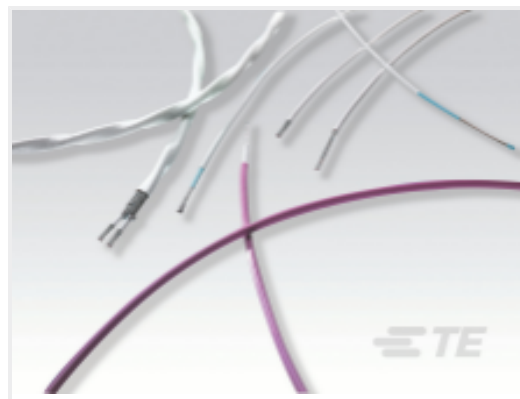


Connector Caps & Covers(3)

Customers Also Bought



TE Part #822598-000
202K121-3/42-0



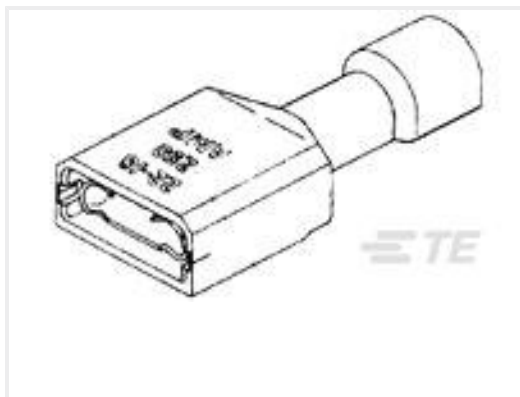
TE Part #040427-000
55PC2124-24-9/96-9



TE Part #40696
RING TERMINAL 12-10 AWG TPBR



TE Part #42640-2
250 FASTON REC 22-18 AWG TPBR



TE Part #2-520181-2
ULTRA-FAST 187 ASY REC 22-18 AWG TPBR



TE Part #770987-1
MINI UMNL PIN 22-18AWG SN LP



TE Part #881545-1
SHUNT LP W/HANDLE 2POS 15AU



TE Part #1658657-1
KIT,HDP-20,ENCLSUR,PLUG,SIZE 2



TE Part #1766192-1
CONTACT,PIN,#8



TE Part #5749070-7
68 50SR VERT RCPT ASSY

Documents

Product Drawings

[SMP M Str Limited Detent SMD 12 GHz](#)

English

CAD Files

[Customer View Model](#)

[ENG_CVM_CVM_2484781-1_1.3d_stp.zip](#)

English

[Customer View Model](#)



[ENG_CVM_CVM_2484781-1_1.2d_dxf.zip](#)

English

[3D PDF](#)

3D

Customer View Model

[ENG_CVM_CVM_2484781-1_1.3d_igs.zip](#)

English

By downloading the CAD file I accept and agree to the [Terms and Conditions](#) of use.

Datasheets & Catalog Pages

[rf-connectors-product-extension-flyer-en](#)

English

[test-probe-connector-en-flyer](#)

English

Product Specifications

[Product Specification](#)

English