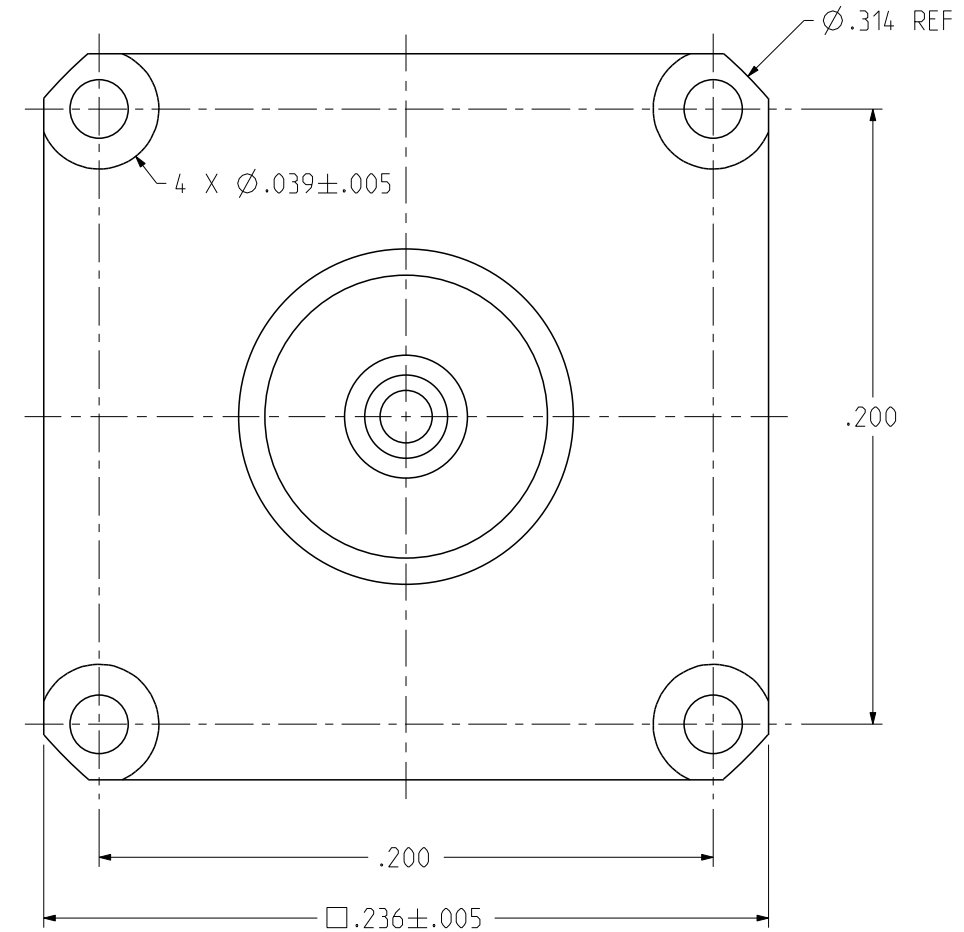
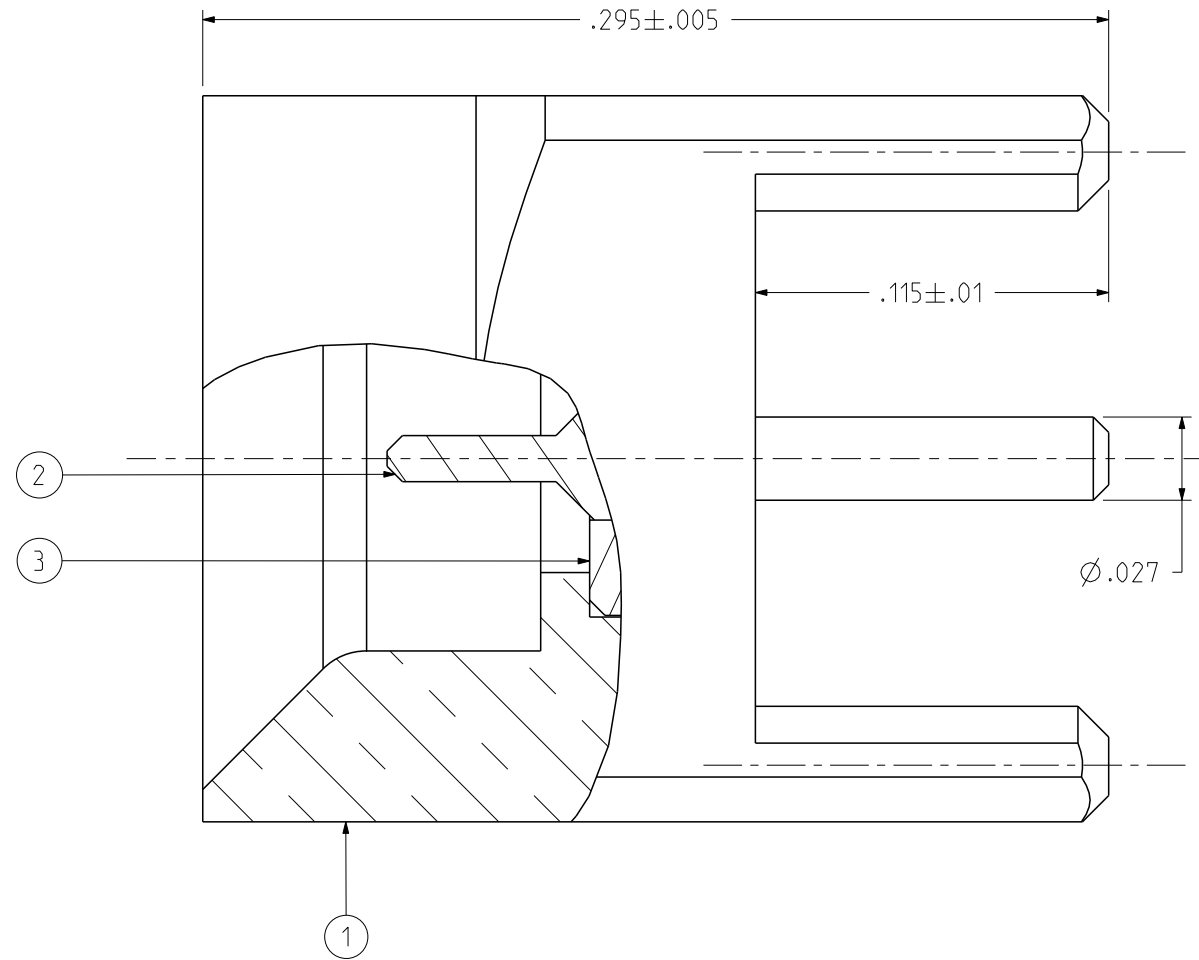
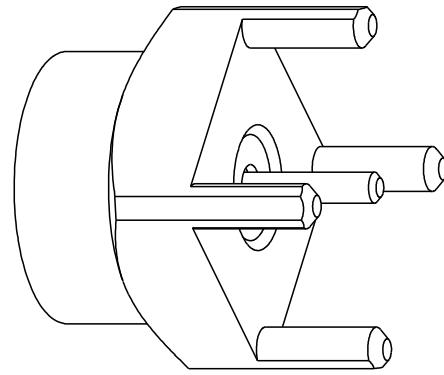


PART NUMBER	ITEM ① BODY	ITEM ② CONTACT	ITEM ③ INSULATOR
127-3701-221	BRASS GOLD PL OVER NICKEL PL OVER COPPER PL	BERYLLIUM COPPER GOLD PL OVER NICKEL PL OVER COPPER PL	PTFE

REV	ECO	DATE
1	INITIAL RELEASE	30SEP2021



NOTES:

1. ELECTRICAL SPECIFICATIONS:

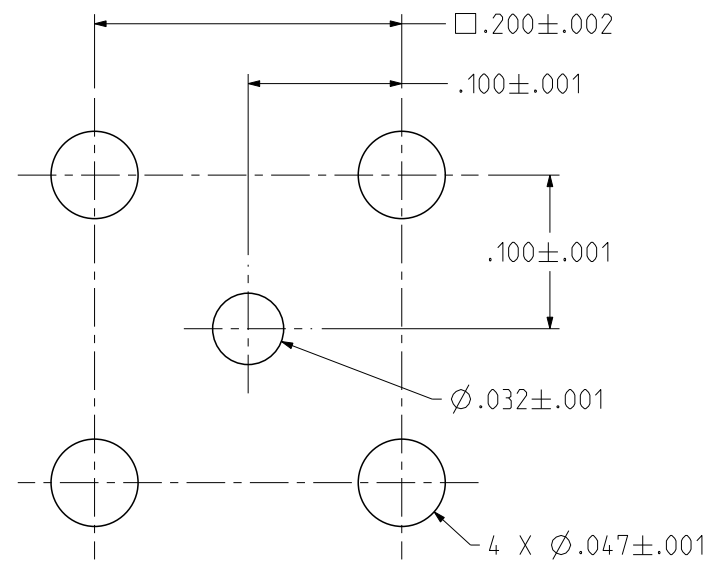
- 1.1 IMPEDANCE: 50 OHMS
- 1.2 FREQUENCY RANGE: DC-18 GHz
- 1.3 VSWR: 1.5 MAX
- 1.4 WORKING VOLTAGE: 335 VRMS MAX AT SEA LEVEL
- 1.5 DIELECTRIC WITHSTANDING VOLTAGE: 500 VRMS MIN AT SEA LEVEL
- 1.6 INSULATION RESISTANCE: 5000 MEGOHM MIN
- 1.7 CONTACT RESISTANCE:
 - 1.7.1 CENTER CONTACT - INITIAL 6.0 MILLIOHM MAX, AFTER ENVIRONMENTAL NOT APPLICABLE
 - 1.7.2 OUTER CONDUCTOR - INITIAL 2.0 MILLIOHM MAX, AFTER ENVIRONMENTAL NOT APPLICABLE
- 1.8 CORONA LEVEL: 190 VOLTS MIN AT 70,000 FEET
- 1.9 RF HIGH POTENTIAL WITHSTANDING VOLTAGE: 325 VRMS MIN AT 4 AND 7 MHZ

2. MECHANICAL SPECIFICATIONS:

- 2.1 INTERFACE DESIGN: IN ACCORDANCE WITH MIL-STD-348A, SERIES SMP, CATCHER'S MITT
- 2.2 ENGAGEMENT FORCE: 2 LBS MAX
- 2.3 DISENGAGEMENT FORCE: 0.5 LBS MIN
- 2.4 DURABILITY: 1000 CYCLES MIN

3. ENVIRONMENTAL:

- (MEETS OR EXCEEDS THE APPLICABLE PARAGRAPH OF DSCC DWG NO.94007)
- 3.1 OPERATING TEMPERATURE: -65 °C TO 165 °C
- 3.2 THERMAL SHOCK: MIL-STD-202, METHOD 204, CONDITION D
- 3.3 MECHANICAL SHOCK: MIL-STD-202, METHOD 213, CONDITION I
- 3.4 CORROSION: MIL-STD-202, METHOD 101, CONDITION B
- 3.5 VIBRATION: MIL-STD-202, METHOD 204, CONDITION D
- 3.6 MOISTURE RESISTANCE: MIL-STD-202, METHOD 106, EXCEPT STEP 7B OMITTED



MOUNTING HOLE LAYOUT

	Model No: 127-3701-221/230	JOHNSON	
	RoHS (EU)/2015/863 COMPLIANT	SMP CATCHER'S MITT VERTICAL PC MOUNT THRU HOLE GROUND LEGS AND CENTER CONTACT	
<small>UNLESS OTHERWISE SPECIFIED UNITS: INCH</small> .XX ± .01 .XXX ± .003 .XXXX ± .0010 ANGLE ± 2°	Cage Code 3RD ANGLE PROJECTION Drawn by: Jimmy Chen Date: 09/30/2021	Drawing No: 127-3701-221/230 Size B DO NOT SCALE DRAWING	REV. 1 Workmanship Std: NONE Sheet 1 OF 1