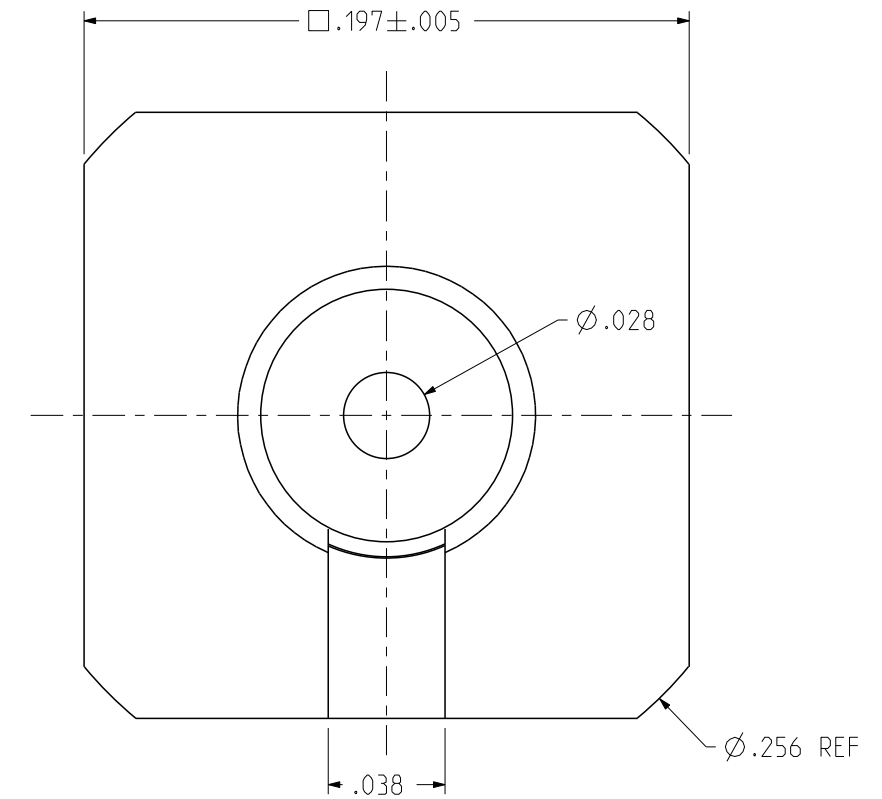
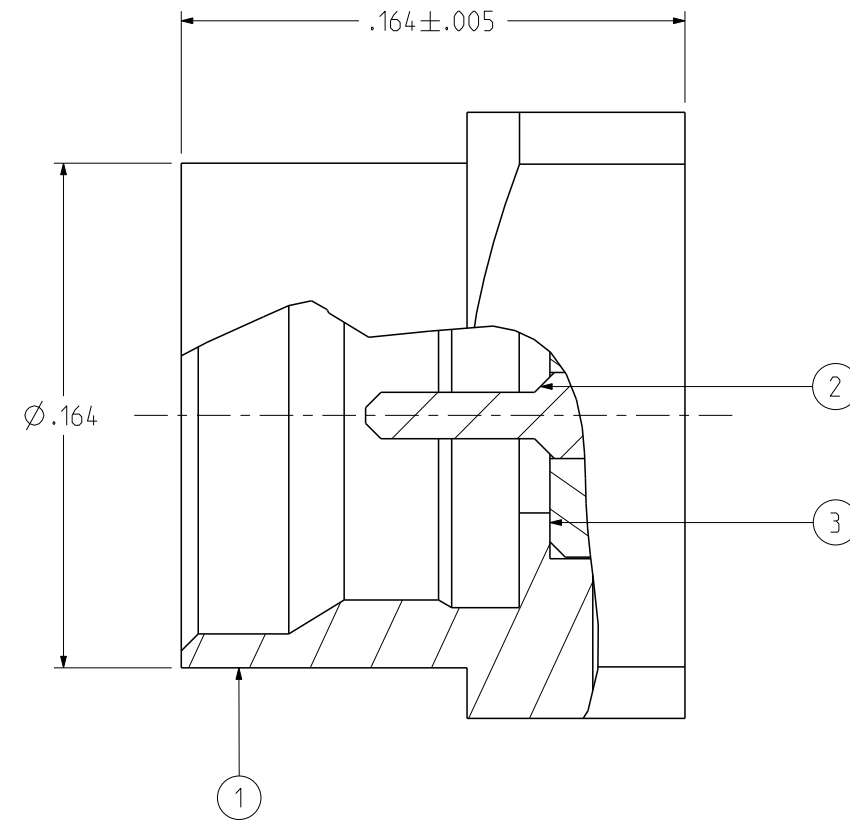
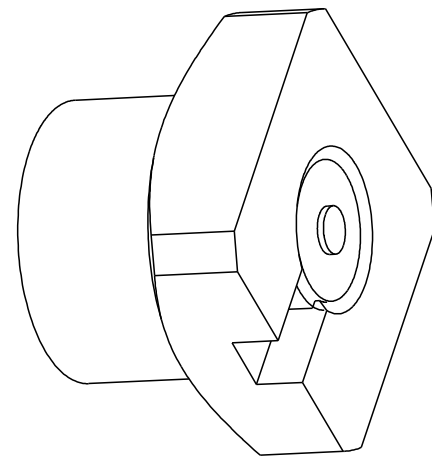


PART NUMBER	ITEM ① BODY	ITEM ② CONTACT	ITEM ③ INSULATOR	PACKAGING
127-1711-231	BRASS GOLD PL .00003 MIN OVER NICKEL PL .00005 MIN OVER COPPER	BERYLLIUM COPPER GOLD PL .00005 MIN OVER NICKEL PL .00005 MIN OVER COPPER	PTFE	TAPE AND REEL 1000 PCS PER FIG 1
127-1711-232				BULK

REV	ECO	DATE
1	INITIAL RELEASE	15NOV2022
2	EC-2303012	23MAR2023



NOTES:

1. ELECTRICAL SPECIFICATIONS:

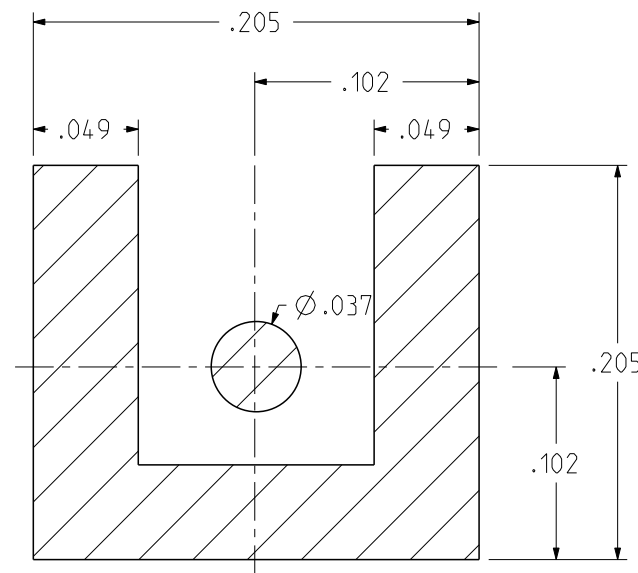
- 1.1 IMPEDANCE: 50 OHMS
- 1.2 FREQUENCY RANGE: DC-26.5 GHz
- 1.3 VSWR: 1.30 TYPICAL
- 1.4 WORKING VOLTAGE: 335 VRMS MAX AT SEA LEVEL
- 1.5 DIELECTRIC WITHSTANDING VOLTAGE: 500 VRMS MIN AT SEA LEVEL
- 1.6 INSULATION RESISTANCE: 5000 MEGOHM MIN
- 1.7 CONTACT RESISTANCE:
 - 1.7.1 CENTER CONTACT - INITIAL 6.0 MILLIOHM MAX, AFTER ENVIRONMENTAL NOT APPLICABLE
 - 1.7.2 OUTER CONDUCTOR - INITIAL 2.0 MILLIOHM MAX, AFTER ENVIRONMENTAL NOT APPLICABLE
- 1.8 CORONA LEVEL: 190 VOLTS MIN AT 70,000 FEET
- 1.9 RF HIGH POTENTIAL WITHSTANDING VOLTAGE: 325 VRMS MIN AT 4 AND 7 MHZ

2. MECHANICAL SPECIFICATIONS:

- 2.1 ENGAGEMENT FORCE: 10 LBS MAX
- 2.2 DISENGAGEMENT FORCE: 2 LBS MIN
- 2.3 DURABILITY: 500 CYCLES MIN

3. ENVIRONMENTAL:

- 3.1 OPERATING TEMPERATURE: -65 °C TO 165 °C
- 3.2 THERMAL SHOCK: MIL-STD-202, METHOD 107, CONDITION B, EXCEPT 165 °C HIGH TEMP
- 3.3 MECHANICAL SHOCK: MIL-STD-202, METHOD 213, CONDITION I
- 3.4 CORROSION: MIL-STD-202, METHOD 101, CONDITION B
- 3.5 VIBRATION: MIL-STD-202, METHOD 204, CONDITION D
- 3.6 MOISTURE RESISTANCE: MIL-STD-202, METHOD 106, EXCEPT STEP 7B OMITTED



RECOMMENDED PCB PAD LAYOUT

NOTE: THIS PATTERN IS FOR REFERENCE ONLY. PATTERN MAY VARY DEPENDING ON ASSEMBLY PROCESS, BOARD TYPE, OR SPECIFIC ELECTRICAL OR MECHANICAL REQUIREMENTS

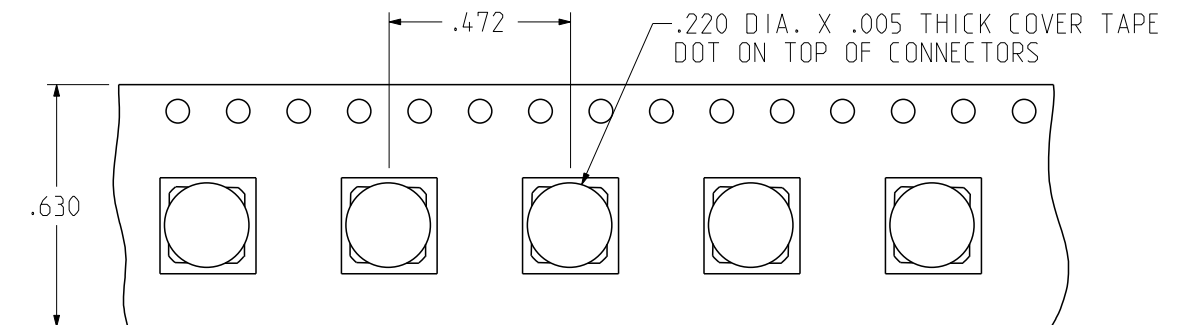


FIG 1

	Model No: 127-1711-231/240	Title: JOHNSON	
	RoHS (EU)/2015/863 COMPLIANT	SMP LIMITED DETENT SURFACE MOUNT	
<small>UNLESS OTHERWISE SPECIFIED UNITS: INCH</small> .XX ± .01 .XXX ± .003 .XXXX ± .0010 ANGLE ± 2°	Cage Code 3RD ANGLE PROJECTION Drawn by: Jimmy Chen Date: 03/23/2023	Drawing No: 127-1711-231/240 Size: B DO NOT SCALE DRAWING	REV. 2 Workmanship Std: SHEET NONE 1 OF 1