

PART NUMBER	ITEM ① BODY	ITEM ② CONTACT	ITEM ③ INSULATOR
127-0701-231	BRASS GOLD PL OVER NICKEL PL OVER COPPER PL	BERYLLIUM COPPER GOLD PL OVER NICKEL PL OVER COPPER PL	PTFE

REV	ECO	DATE
1	INITIAL RELEASE	06MAR2024

NOTES:

1. ELECTRICAL SPECIFICATIONS:

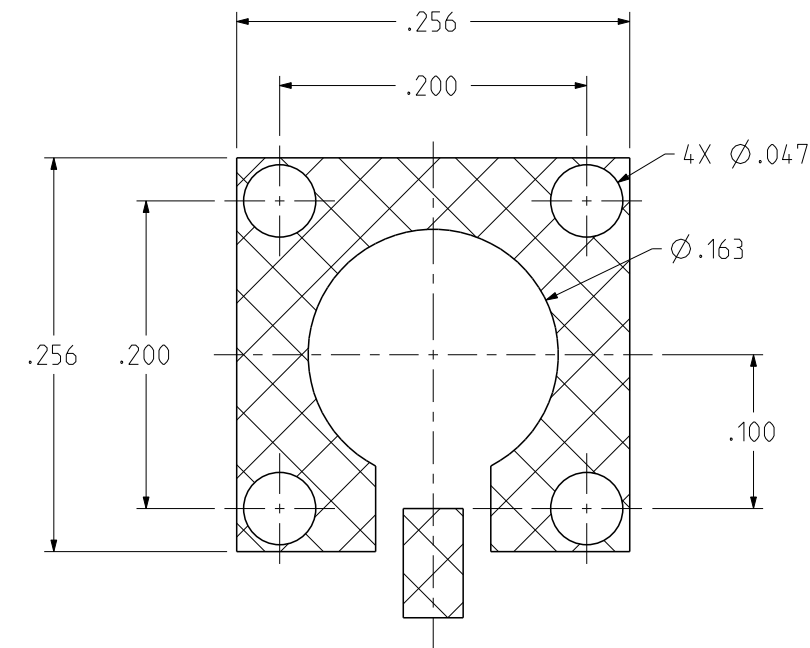
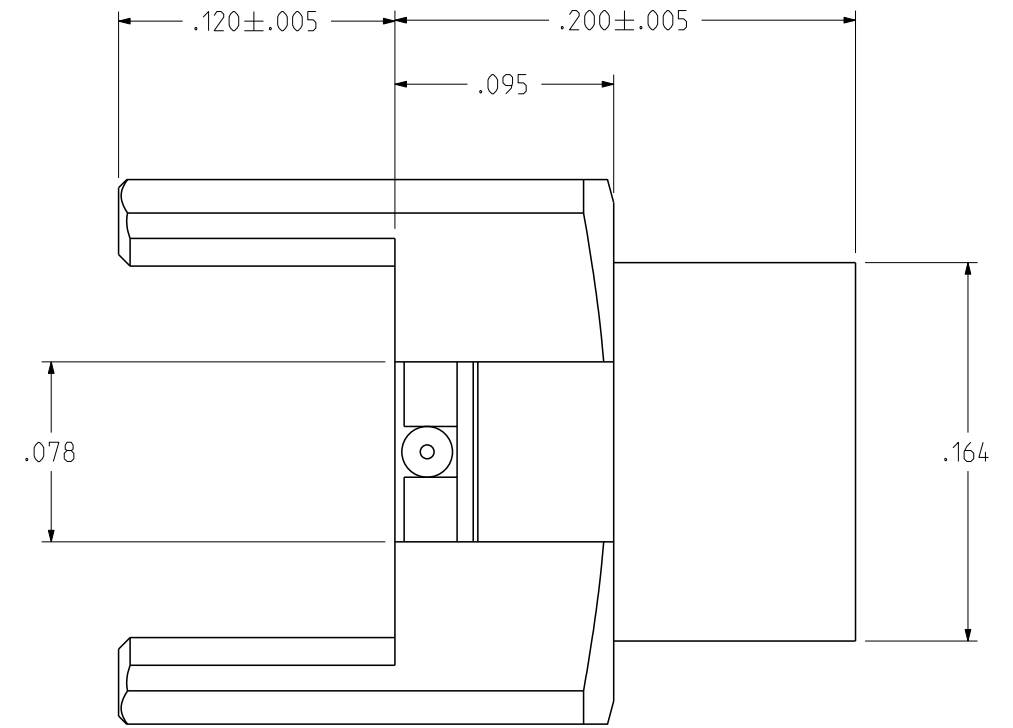
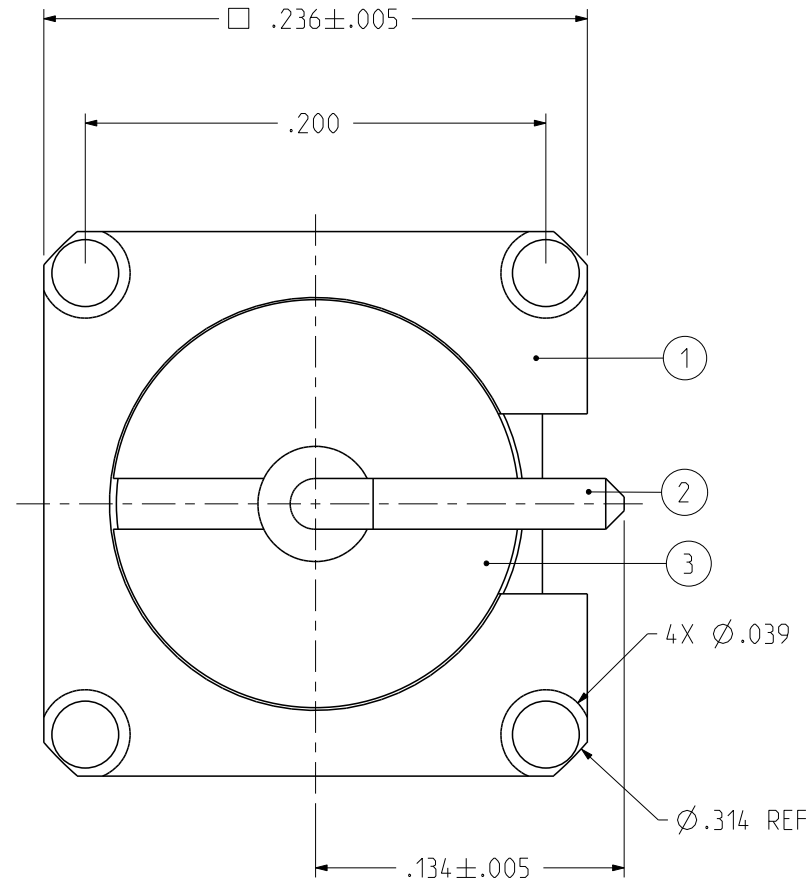
- 1.1 IMPEDANCE: 50 OHMS
- 1.2 FREQUENCY RANGE: DC-18 GHz
- 1.3 VSWR: 1.3 TYPICAL
- 1.4 WORKING VOLTAGE: 335 VRMS MAX AT SEA LEVEL
- 1.5 DIELECTRIC WITHSTANDING VOLTAGE: 500 VRMS MIN AT SEA LEVEL
- 1.6 INSULATION RESISTANCE: 5000 MEGOHM MIN
- 1.7 CONTACT RESISTANCE:
 - 1.7.1 CENTER CONTACT - INITIAL 6.0 MILLIOHM MAX, AFTER ENVIRONMENTAL NOT APPLICABLE
 - 1.7.2 OUTER CONDUCTOR - INITIAL 2.0 MILLIOHM MAX, AFTER ENVIRONMENTAL NOT APPLICABLE
- 1.8 CORONA LEVEL: 190 VOLTS MIN AT 70,000 FEET
- 1.9 RF HIGH POTENTIAL WITHSTANDING VOLTAGE: 325 VRMS MIN AT 4 AND 7 MHz

2. MECHANICAL SPECIFICATIONS:

- 2.1 ENGAGEMENT FORCE: 15 LBS MAX
- 2.2 DISENGAGEMENT FORCE: 5 LBS MIN
- 2.3 DURABILITY: 100 CYCLES MIN

3. ENVIRONMENTAL:

- 3.1 OPERATING TEMPERATURE: -65 °C TO 165 °C
- 3.2 THERMAL SHOCK: MIL-STD-202, METHOD 107, CONDITION B, EXCEPT 165°C HIGH TEMP
- 3.3 MECHANICAL SHOCK: MIL-STD-202, METHOD 213, CONDITION I
- 3.4 CORROSION: MIL-STD-202, METHOD 101, CONDITION B
- 3.5 VIBRATION: MIL-STD-202, METHOD 204, CONDITION D
- 3.6 MOISTURE RESISTANCE: MIL-STD-202, METHOD 106, EXCEPT STEP 7B OMITTED



MOUNTING HOLE LAYOUT

	Model No: 127-0701-231/240	JOHNSON	
	RoHS <input checked="" type="checkbox"/> (EU)/2015/863 COMPLIANT	Cage Code	Title: SMP FULL DETENT, STRAIGHT PC MOUNT, THRU HOLE GROUND LEGS AND SMT CONTACT
<small>UNLESS OTHERWISE SPECIFIED UNITS: INCH</small> .XX ± .01 .XXX ± .003 .XXXX ± .0010 ANGLE ± 2°	3RD ANGLE PROJECTION 	Drawing No: 127-0701-231/240	REV. 1
	INTERPRET DRAWING IN ACCORDANCE WITH ASME Y14.5-2009.	Drawn by: TOMMY REN Date: 03/06/2024	Size B DO NOT SCALE DRAWING